

pmt LoBat

Installation Instructions

1. Remove the cover plate or pick guard and determine the desired location for the circuit. See suggested mounting locations on other side.
2. Drill a 7/64" (3mm) hole in the pick guard or cover plate in the desired location of the indicator LED.
3. Remove the protective paper from the adhesive tape and press the LED into the hole with the circuit in the desired location.
4. Place heat shrink over the RED wire from the LoBat™ circuit and solder it to the Red positive lead from the battery. Insulate the connection with the included heat shrink tubing.
5. Solder the BLACK wire from the LoBat™ circuit to ground (usually the back of the volume pot or jack)

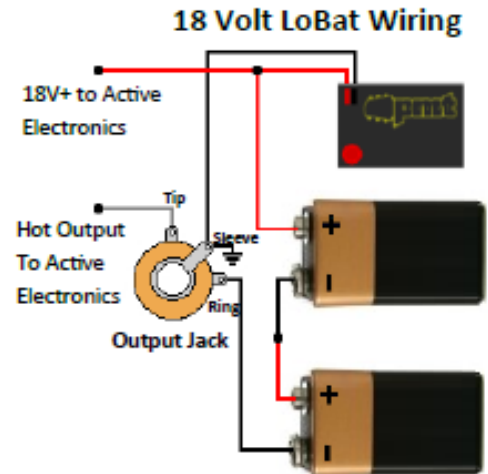
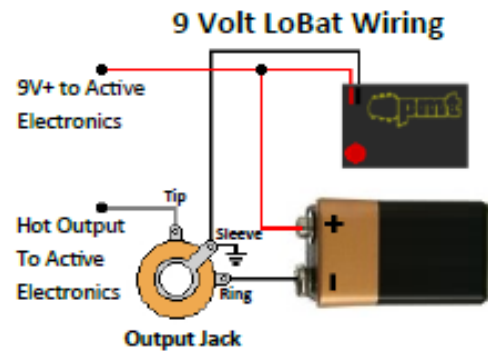
Operation Instructions

1. Insert instrument cable into jack. The LED will light for 1 second to indicate that the battery is installed and the circuit is working:

*If the battery level is good (above 7.7V) the LED will go out.

*If the battery level is low (below 7.7V) the LED will stay on indicating the battery is ready to be replaced.

US Patents Applied For. MADE IN USA www.PMTMusic.com



pmt LoBat

Typical Mounting Suggestions

