



Vacuumator™ pumps are the most compact, efficient and reliable vacuum generators available for vacuum sanitary systems. The pump creates vacuum, macerates sewage and discharges in one single-pass operation.

Features:

- Highly efficient in transporting any combination of black and grey water under vacuum.
- Small footprint and low weight allows unique installation flexibility.
- In line installation – direct discharge to sewer, STP (Sewage Treatment Plant) or collecting tank.
- High vacuum generating capacity.
- Multiphase design pumps any combination of air and black/grey water.
- Low energy consumption.
- High quality – low life cycle cost.

Technical Data



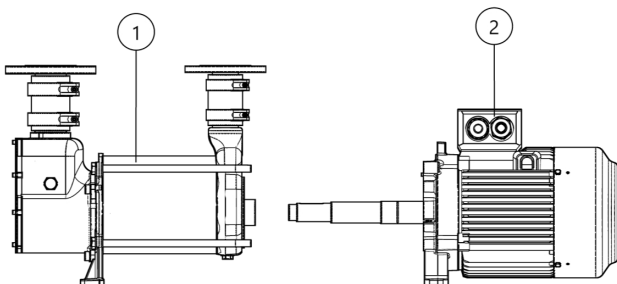
Pump Type.....	Multiphase
Capacity.....	77 m³/h ACMH at 500 mbar abs. (50% vacuum) 50 Hz 118 m³/h ACMH at 500 mbar abs. (50% vacuum) 60 Hz
Lifting Capacity.....	Max. allowed lifting height/pressure on the discharge side: 3m / 0.3bar
Outside Dimensions.....	846 x 260 x 440 mm (LxWxH)
Generic Material.....	Stainless Steel
Connection Inlet.....	DN65, PN10
Connection Outlet.....	DN50 ,PN10
Protection Class.....	IP 55
Insulation Class.....	155(F) to 130(B)
Duty.....	S1-100%
Ambient Temperature Range.....	Min 0 °C - Max 50 °C
Humidity.....	Class F / 95%
Approvals.....	Motor - CSA Approved
Net Weight.....	100.00 kg

Operating Data

Frequency.....	50 // 60 Hz
Voltage.....	/Δ395-435/Δ460-500/460-500 V
Nominal Current.....	/13.6/11.6/13.1 A
Speed.....	C-CW 2950 // 3550
Power Output.....	7.5 // 7.5/8.6 kW
Power Factor.....	0.87 // 0.88 cos φ
Efficiency.....	88.1 // 89.5/89.5%

Disclaimer

Note: Our products and services are offered and sold subject to Jets Vacuum AS' General Sales Conditions, copies of which will be furnished upon request. Information provided herein is solely for information purposes, does not constitute any warranty or representation of any kind and is subject to change without notice. We strive to reproduce product colors reasonably accurate. Without prior written approval, this document or any part of may not be reproduced in any form. Jets™, Vacuumator™, Helivac™, VC™, VOD™, CVS™ and Softsound™ are trademarks and/or registered trademarks of Jets. © Jets AS. All rights reserved.

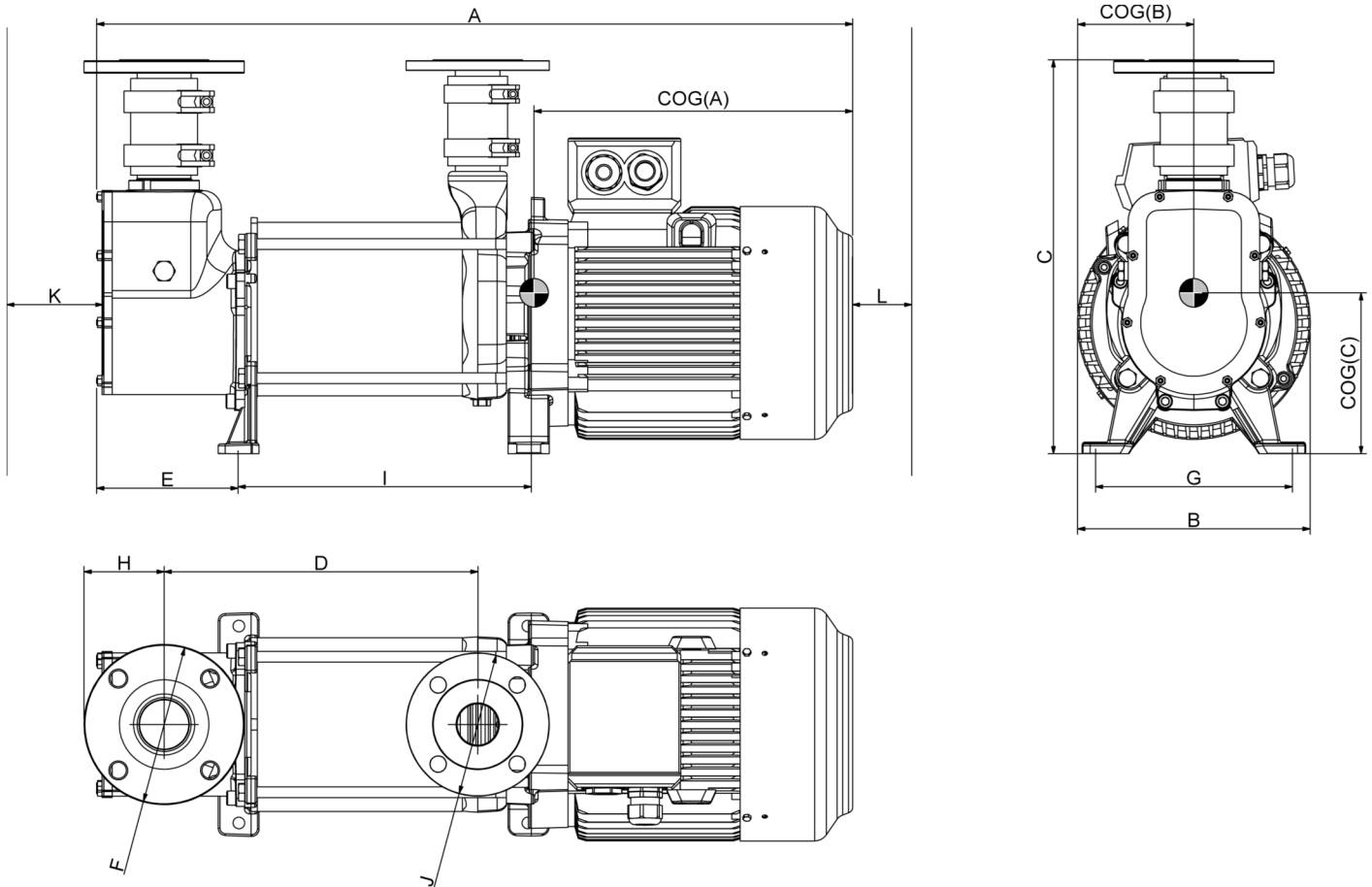


Components

1 Vacuumator 140MB	02F140000
2 Motor	031226221*

Only available for sale as a complete item.

Dimension Drawings



A.....	846mm	H.....	90mm
B.....	260mm	I.....	cc323mm
C.....	440mm	J.....	DN50
D.....	cc350mm	K.....	300mm
E.....	154mm	L.....	100mm
F.....	DN65	COG(A).....	356.2mm
G.....	cc220mm	COG(B).....	129.5mm
		COG(C).....	179.6mm

