



Vacuumator™ pumps are the most compact, efficient and reliable vacuum generators available for vacuum sanitary systems. The pump creates vacuum, macerates sewage and discharges in one single-pass operation.

Features:

- Highly efficient in transporting any combination of black and grey water under vacuum.
- Small footprint and low weight allows unique installation flexibility.
- In line installation - direct discharge to sewer, STP (Sewage Treatment Plant) or collecting tank.
- Multiphase design with a high vacuum generating capacity.
- High quality, energy efficient pump with a low life cycle cost.

Technical Data



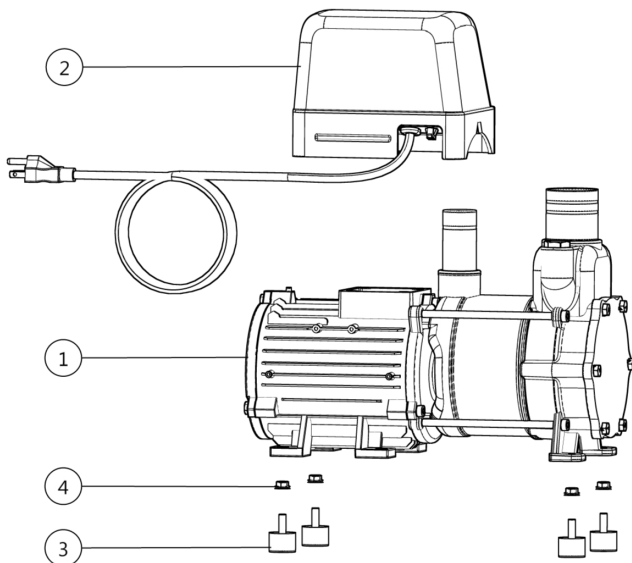
Pump Type.....	Multiphase
Capacity.....	2.9 m³/h ACMH at 500 mbar (50% vacuum)
Lifting Capacity.....	maximum 200cm with a non-return valve minimum 32cm
Outside Dimensions.....	375 x 154 x 278 mm (LxWxH)
Generic Material.....	RG 5
Connection Inlet.....	Ø 50 mm
Connection Outlet.....	Ø 32 mm
Ambient Temperature Range.....	Min +0 °C - Max +50 °C
Net Weight.....	18.30 kg
Plug Type.....	C1 PLUG FTD TO SVT3X18

Operating Data

Recommended Circuit Breaker.....	C25 A
----------------------------------	-------

Disclaimer

Note: Our products and services are offered and sold subject to Jets Vacuum AS' General Sales Conditions, copies of which will be furnished upon request. Information provided herein is solely for information purposes, does not constitute any warranty or representation of any kind and is subject to change without notice. We strive to reproduce product colors reasonably accurate. Without prior written approval, this document or any part of may not be reproduced in any form. Jets™, Vacuumator™, Helivac™, VC™, VOD™, CVS™ and Softsound™ are trademarks and/or registered trademarks of Jets. © Jets AS. All rights reserved.

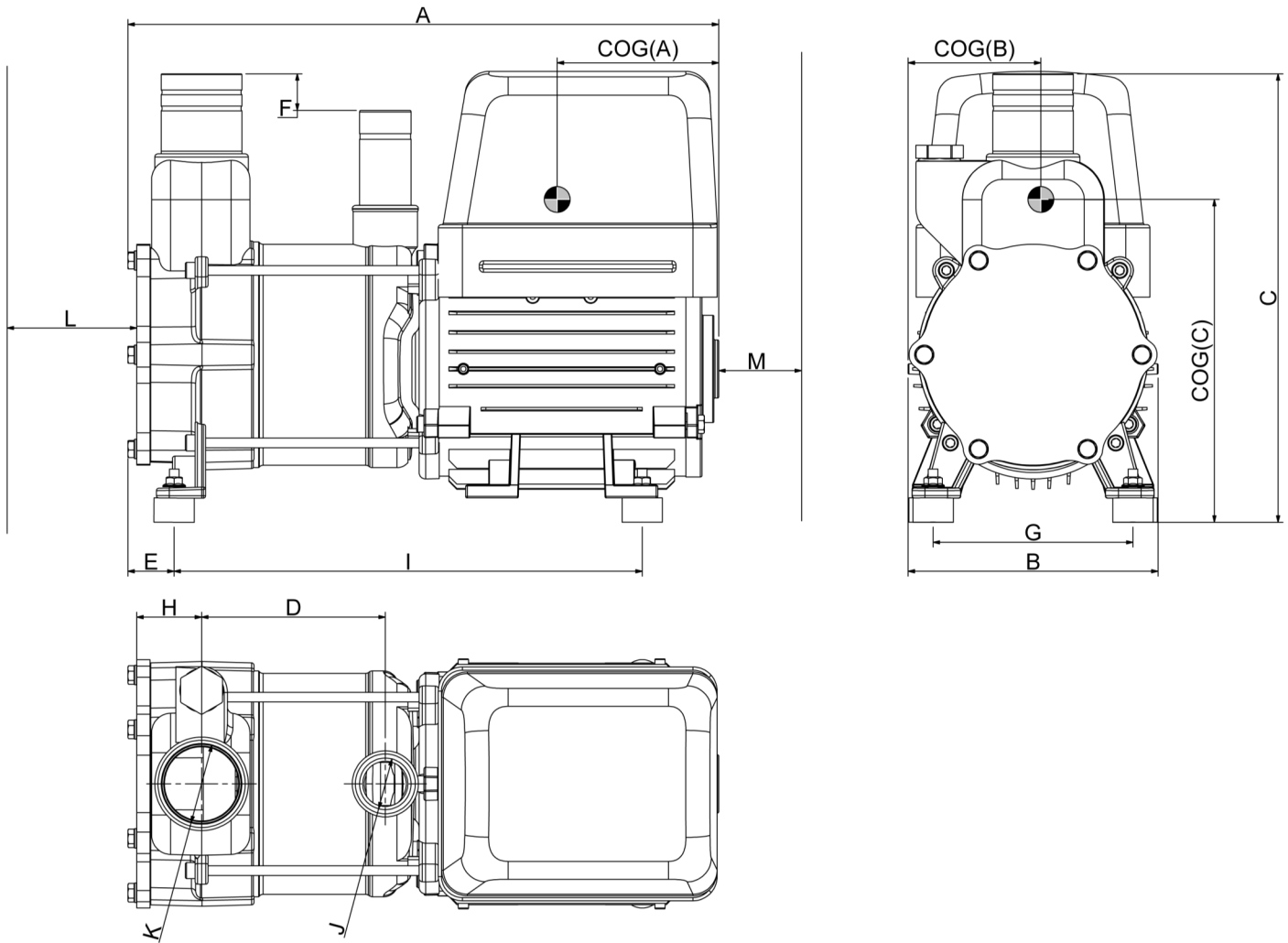


Components

1 Jets™ 10NT Vacuumator™ pump	02B010014*
■ 50 // 60 Hz ■ Y380-420/Δ220-240 // Y440-480/Δ250-280 V	
2 Motor Controller 10NT 115V	031151340*
3 Vibration absorber M6	030303603*
4 Lock nut w/flange	036232910*

* Component/s available as replacement parts.

Dimension Drawings



A.....	375mm	I.....	CC183mm
B.....	154mm	J.....	Ø32
C.....	278mm	K.....	Ø50
D.....	CC114mm	L.....	300mm
E.....	29mm	M.....	100mm
F.....	23mm	COG(A).....	100.2mm
G.....	CC129mm	COG(B).....	82.3mm
H.....	40mm	COG(C).....	200.1mm