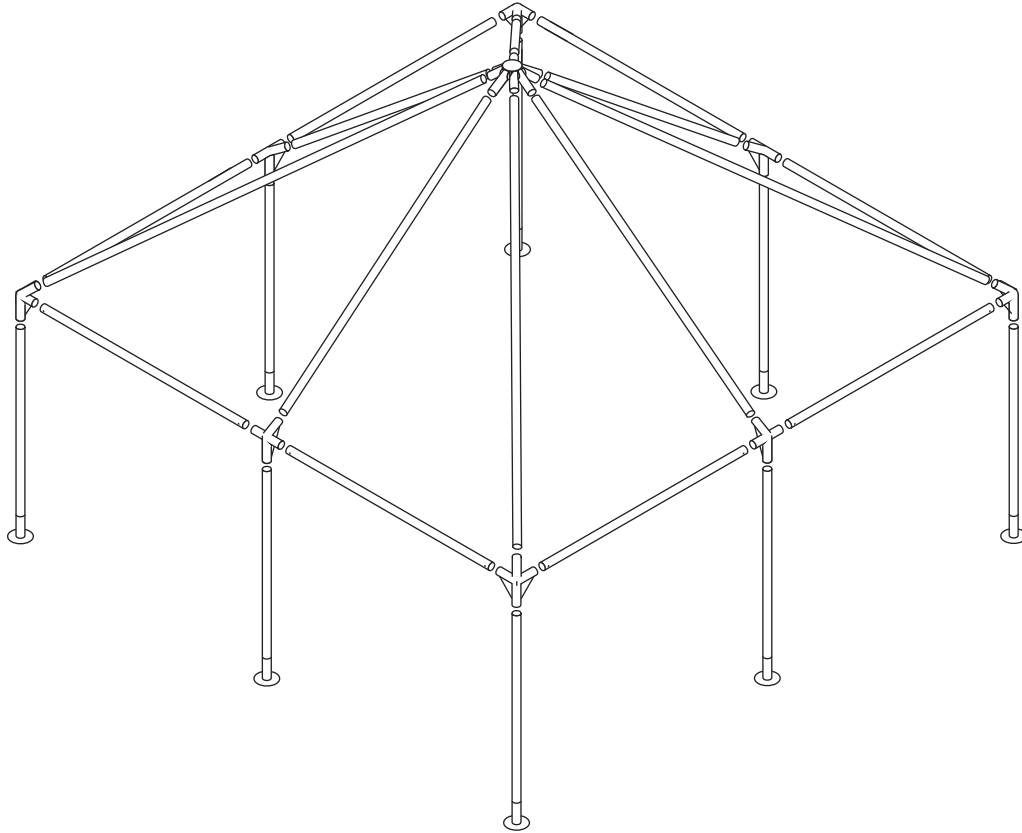


Installation Instructions



Express Frame 20 x 20



TopTec Products, LLC
7601 Highway 221
Moore, SC 29369
Phone: (800) 845-2830
Fax: (800) 921-7750
e-mail: sales@TopTecProducts.com
www.TopTecProducts.com

Form # 20061221

© 2000 TopTec

Thank You for Purchasing a TopTec Tent

If you have questions about installation, maintenance, or take down, please call us at (800)845-2830. Our goal is that you are completely satisfied with our products. Please read this installation manual carefully and follow all instructions contained herein. Please note that the installer is responsible for the site selection, installation, and use. Do not erect during inclement weather and follow all safety procedures during the installation and take down process.

Please contact all utility companies for underground services. In many states, the utilities work together and have formed a Utility Locating Service. It is your responsibility to locate all underground services, including speaking to the owner about irrigation, pool and other special services that they may have installed. Also, please note that special precautions should be taken such that any overhead powerlines are duly noted and avoided during the tent erection process.

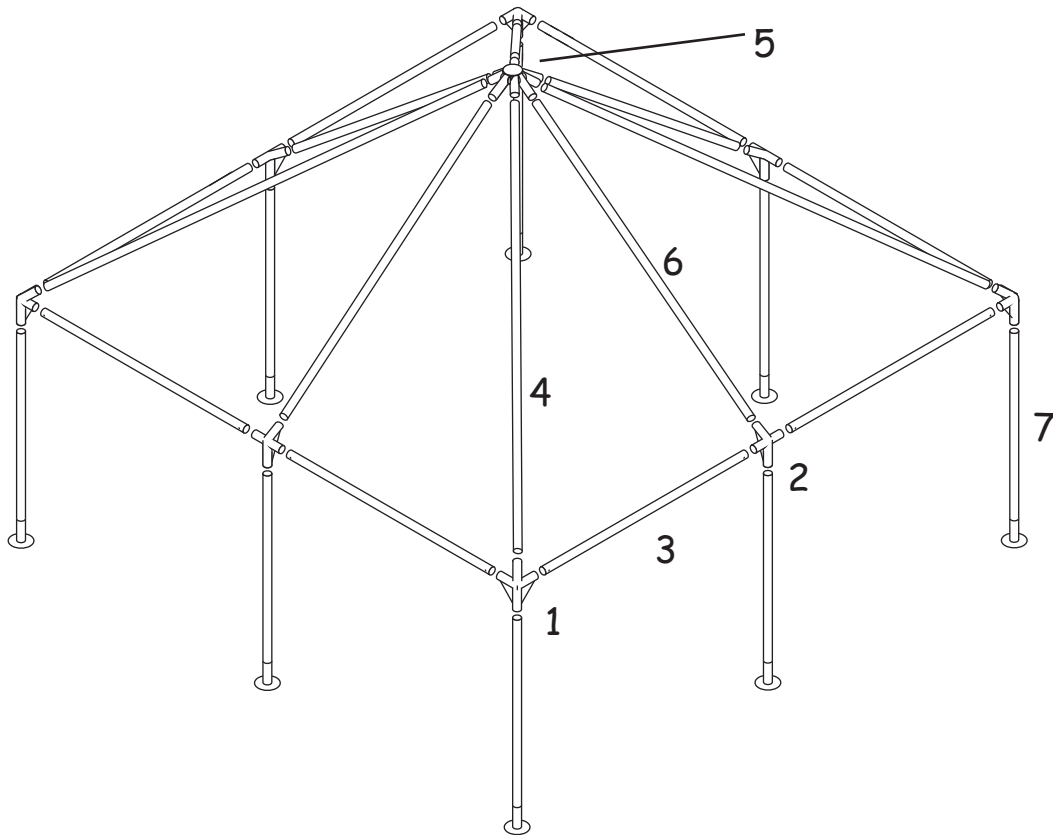
To provide the quickest possible service, please fill in the information below so that we may effectively help you should a problem arise.

Size	Product Code	Serial Number
<input type="text"/>	<input type="text"/>	<input type="text"/>
<input type="text"/>	<input type="text"/>	<input type="text"/>
<input type="text"/>	<input type="text"/>	<input type="text"/>



TopTec Products, LLC in no way represents the estimated holding power to be true in all cases. It is an estimate, and as such does not imply that the figures are sufficient to hold any tent securely in windy or adverse weather conditions. The tent installer accepts sole responsibility for the safe installation, teardown, and maintenance of any tent. TopTec does not represent in any way that the materials provided with the purchase of the tent are sufficient enough to hold it up in windy or adverse weather conditions. There is no way for TopTec to know the site conditions or the weather conditions at the event to be able to recommend the adequate amount of holding power needed to hold the tent safely in position. Furthermore, we are not responsible for the methods which the installer uses to erect the tent or anchor it in position. Installers **MUST** be empowered to deem the tent unsafe for occupancy if/when the weather becomes unstable. For further recommendations on determining necessary staking values, please consult the IFAI Procedural Handbook for the Safe Installation and Maintenance of Tentage and the IFAI's Pullout Capacity of Tent Stakes. These resources are available from the IFAI Tent Rental Division.

Installation Instructions



- Inspect the tent site thoroughly for obstacles, underground and overhead wires, pipes, etc. If necessary, consult with your local utility company prior to installation.
- Lay out the erection site by first placing the corner brackets (#1), intermediate brackets (#2) and perimeter poles (#3) in sequence per the above drawing for assembly. Do not install legs or roof rafters at this time. Reference the above drawing for detail.
- Begin assembly of the frame by inserting the perimeter poles (#3) into the corner brackets (#1) and ensure that the snap pin is locked in place. Next, move to the intermediate bracket (#2) and repeat the procedure. Continue this process until the perimeter framework is assembled.
- Insert hip poles (#4) into corner brackets (#1) at all four corners and ensure that the snap pins lock into place. Install the cluster (#5) next. It may be necessary to lift up on the cluster to install the hip poles and lock in place with the snap buttons.
- Install intermediate rafters (#6) next by starting at the intermediate bracket (#2) and finishing at the crown. The intermediate rafter may need to be pushed toward the perimeter to make the connection at the crown. Inspect the frame to be sure all snap buttons have completely secured the poles. You are now ready to install the top on the frame.

Installation Instructions

Top Installation

- Use a ground cover to protect the vinyl top during its installation.
- Lay the top over the frame and pull over the peak. Fasten over the eye bolts in the corner brackets.
- Lift one side of the frame and install the legs (#7) along that side. Install the corner legs before the intermediate legs.
- Lift the opposite side of the tent and insert the legs into the brackets as in the previous step. Finish by installing the legs in the final two intermediate brackets. Make sure all snap pins are locked in place.
- Attach tent top to the frame with the cam buckles and straps that are provided with the tent. Clip the flat snap at the top of the strap to the ring at the corner of each valance. Then insert the hook on the bottom of the strap into the hole at the bottom of each leg. Tighten cam buckles alternately until the top is fully tensioned.
- Stake the tent appropriately for existing conditions.
- Reverse the steps to disassemble the tent.

Anchoring Requirements (Non-Certified Tents)

Non-certified tents are not engineered to meet specific wind loads. Wind loads are approximate and are generally rule of thumb calculations used in the industry based on actual field experience. Windload of a non-certified tent will vary to a maximum of approximately 30 to 50 mph dependent upon the style of type of tent. The structural integrity of the tent may exceed the soil's holding capacity even at wind loads of 30 to 50 mph.

Frame tents require approximately 1000 to 2000 lbs of holding power per anchor location (dependent on the size and style of the tent). For safety of all occupants, evacuation is recommended if weather becomes severe.

Severe storms have micro bursts of wind that may be recorded far in excess of the storm's highest winds. The installer is responsible for properly securing the temporary structure (tent). Soil conditions will vary and the wind loads that the temporary structure can handle could be significantly below its wind load capabilities.

Tent Size	Sq. Ft.	Anchor Power Required	Safety Factor	Anchor Locations	Holding Power Required at Each Anchor Location
20x20	400	3,840	1.5	8	480*

*Holding power is based on firm soil conditions. If other conditions prevail, the holding power will decrease and alternate anchoring methods are required.

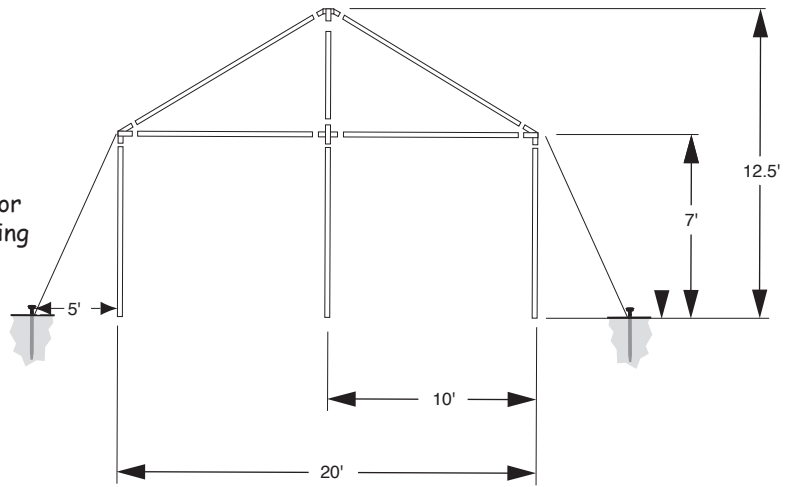


Note: The tent must be anchored properly for safe installation. Additional guys and stakes may be required depending on soil and/or wind conditions. Refer to the IFAI Procedural Handbook for Safe Installation and Maintenance of Tentage for calculating the proper anchoring capacity for soil and or ground conditions. Always follow manufacturer's recommended anchoring techniques.

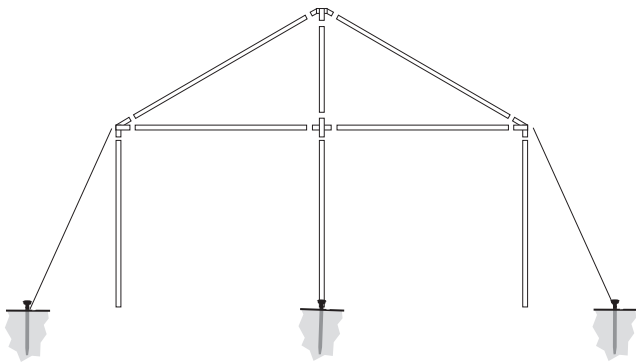
Installation Instructions

Guy Data:
3/8 Poly Rope - 2700 # rating or
1" Polyester Web - 3600 # rating

36" Stake driven within 6" from the top of the ground straight down or a maximum 10 degree angle

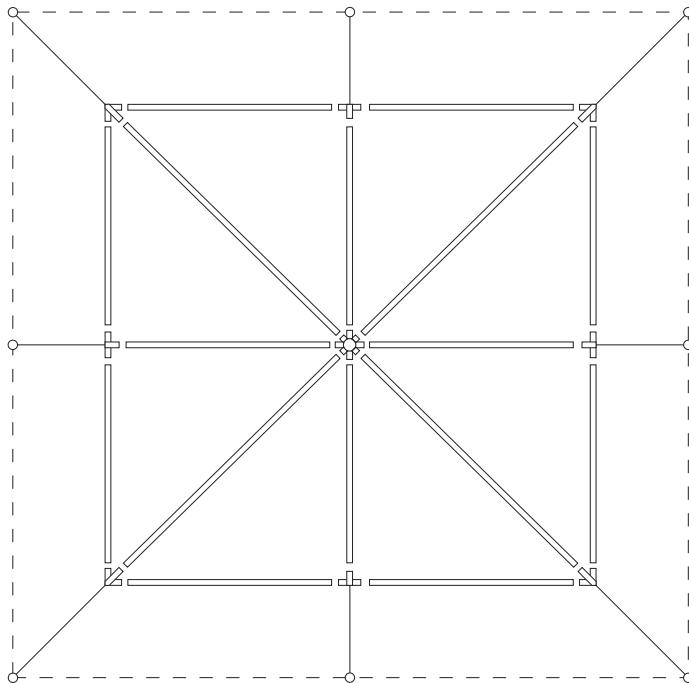


END VIEW



SIDE VIEW

1. Surface: Compacted soil
2. Standard pull-out rate 800 lb/sq ft.
3. Normal staking configuration/conditions



TOP VIEW