

Tekbox

Description

Prefabricated technical box for sunken fitting in the garden. Perfectly blends in with the environment. Innovative, all-in-one solution, compact enough to store all the equipment required for the proper functioning of the swimming pool up to a pool volume of 150m³. High level of water tightness, providing total protection for components. Can be fitted with several options including control Panel, automatic backwash valve, boost pump for swim-jet, boost pump for bottom cleaner e.g. Polaris etc and Puronizer for low level chlorine control. Please enquire for full options. Tekbox is the only prefabricated technical box on the market with which you can increase the swimming pool's equipment and functions progressively, with gradual investment. Tekbox is an all-in-one solution, which is convenient, quick and profitable for the installer and for the end user it is safe, attractive and saves on additional installation costs.

Version

Tekbox IPR: Thanks to its totally sunken design, it camouflages perfectly, blending in with the environment.

Characteristics High resistance: Strengthened injection-moulded thermoplastic that keeps its shape perfectly.

Stability: System for ground anchoring to avoid any movement or flotation.

Security: Reinforced lock and hinges.

Look: Design and colour that blends in with the environment.

Versatility: Full pre-fitted filtration-pump-valve units compatible with various add-on functions.

Standard unit components:

Tekbox pre-fitted technical box.

Blown or injection-moulded ESPA Pool filters, up to Ø 650 mm, pool volume up to 150m³ Compact centrifugal pumps from the ESPA range, up to 1.5 HP.

6-way selector valves.

Options:

- Swim-jet boost pump MX55/S & MX 70/T
- Puronizer system (for low level chlorine control)
- Impulsion pump for pool bottom cleaner (i.e. Polaris cleaner)
- Submersible pump for any water spillage within the Tekbox
- Control panel (see options below)



Tekbox IPR



Tekbox IPR

Example of equipment inside Tekbox



Tekbox

Model:	DESCRIPTION:	(HP)	Cost each:	Discount:
	Tekbox Plus:			
TEK520	TEK BPR 520-20" SILEN 100 15M pump pool vol. 88m ³	1	£2,999.00	E
TEK620	TEK BPR 620-24" SILEN I 100 15M pump pool vol. 128m ³	1	£3,421.65	E
TEK650	TEK BPR 650-26" SILEN I 100 15M pump pool vol. 150m ³	1	£3,523.24	E
MX70/T	X-Stream counter current system complete with 1 x pump & twin jets S/S niche & grab rail (flow 70m ³ hr)	3	£4,333.33	C
SUPMX70/T	Supplement to install MX70/T as above inc labour & materials		£150.00	Net
MX55/S	X-Stream counter current system complete with 1 x pump & Circular (universal liner/concrete) swim-jet niche in white ABS (flow 55m ³ hr)	3	£2,361.66	C
SUPMX55/S	Supplement to install MX55/S as above inc labour & materials		£150.00	Net
APS/MP	Multipool Plus (Polaris boost pump)	1	£569.00	C
SUP/MP	Supplement to install Multipool boost pump as above inc labour & materials		£150.00	Net
APS/ABS	Automatic backwash system		£1,498.00	E
SUP/ABS	Supplement to install Automatic backwash system as above inc labour & materials		£150.00	Net
APSR 20	Puronizer System complete (up to 20,000galls)		£1,175.00	C
SUP/20	Supplement to install Puronizer system as above inc labour & materials		£120.00	Net
TEK/CP	Control panel for Tekbox (see options below)		£895.00	D
SUP/HHTC	Supplement Filter Pump control (with handheld time clock)		£125.00	Net
SUP/PAPP	Supplement Filter Pump control (phone app)		£150.00	Net
SUP/4CR	Supplement Filter Pump control (four channel remote)		£169.00	Net
SUP/FS	Supplement Frost stat (for winter operation)		£120.00	Net
EGO 500 GI	Submersible Puddle Pump (for removing water spillage in Tekbox)		£210.00	E
SUP/EGO500GI	Supplement to install Puddle Pump as above inc labour & materials		£120.00	Net

If you cannot find the combination you require APS Pool Technics will design a suitable Tekbox for you
If multiple supplements are chosen please ask for an estimate and we will reduce the cost.



X-Stream counter current system



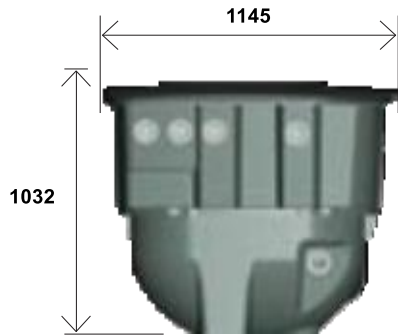
Puronizer System



Handheld Tim Clock

Tekbox

Tekbox	A	B	C
	1145	1032	1460



Ø Filter (mm)	Nom. flow (m ³ /h)	*Pool vol. (m ³)	Model	(HP)	(A)	Ø Suc. (mm)	Weight Standard unit (kg)
520	15	88m ³	TEK520	1	5.5	50	90
620	15	128m ³	TEK620	1	5.5	50	95
650	15	150m ³	TEK650	1	5.5	50	100

*Pool circulation times need to be calculated for every pool design