

1

2

3

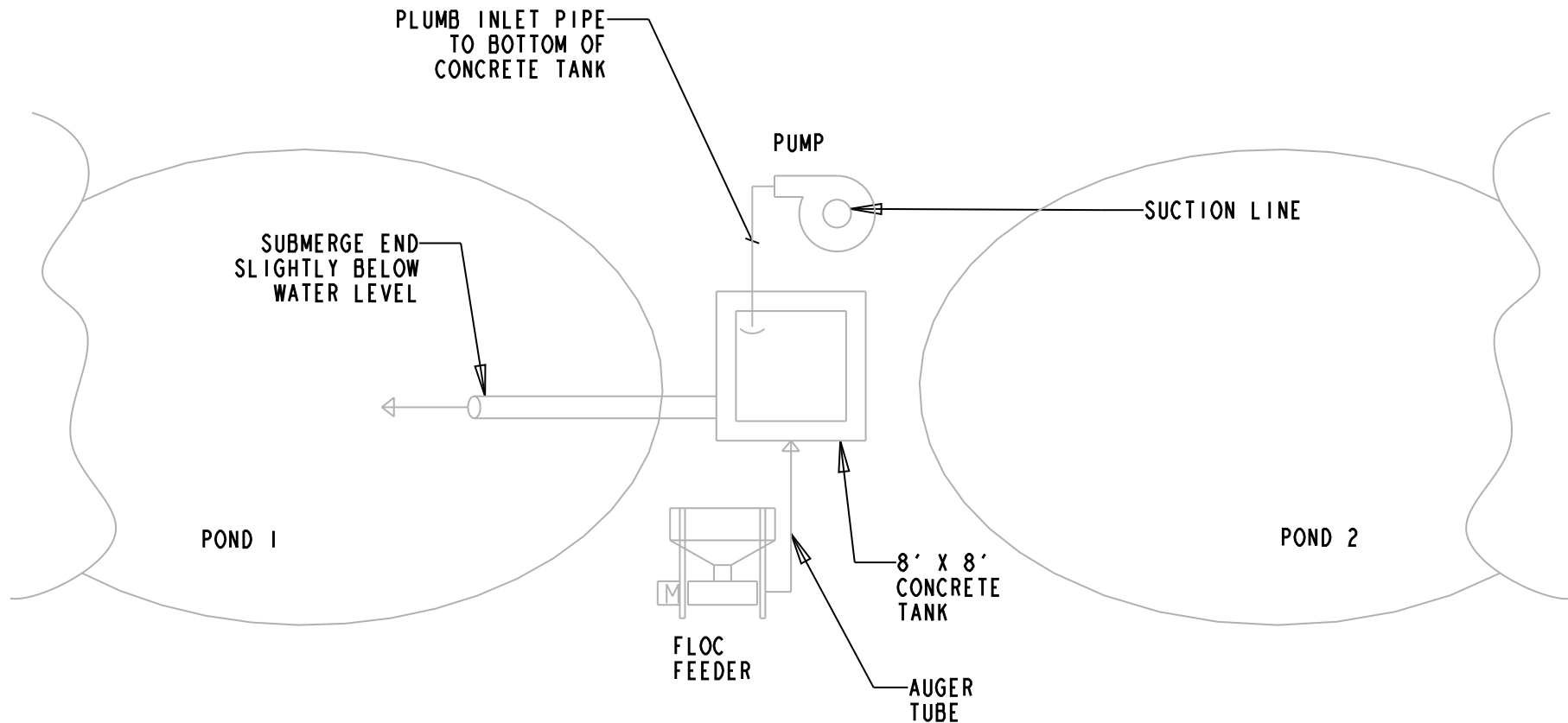
4

D

D

C

C



TITLE:					INNOVATIVE TURF SOLUTIONS				
DRAWN <***>		CHECKED		DATE		15-May-12		REV	
ENG.		CHECKED DATE		SHEET NO.		1 of 1		0	
MFG.		O.C.		DRAWING NO.				A	
MODELED BY <***>				PART NO.				A	
DO NOT SCALE						scale	1.200		

A

3

4