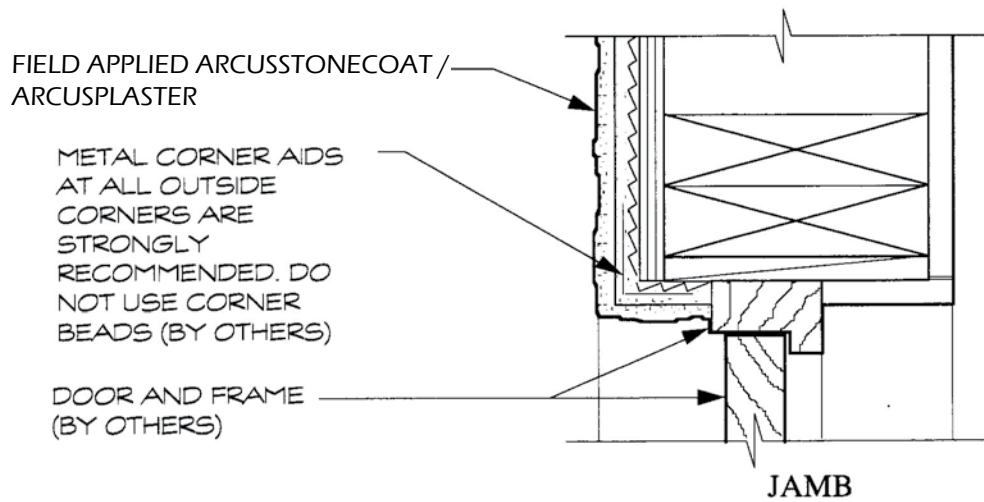
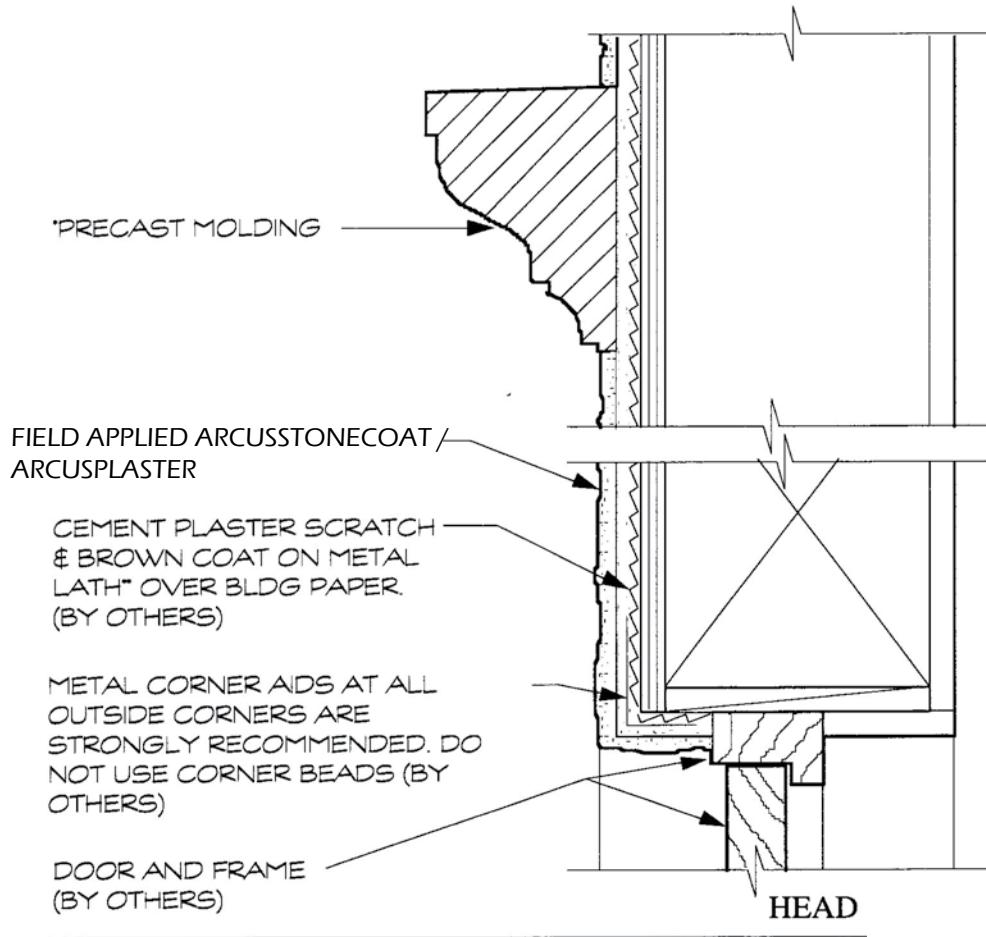


# Suggested Exterior Door Details



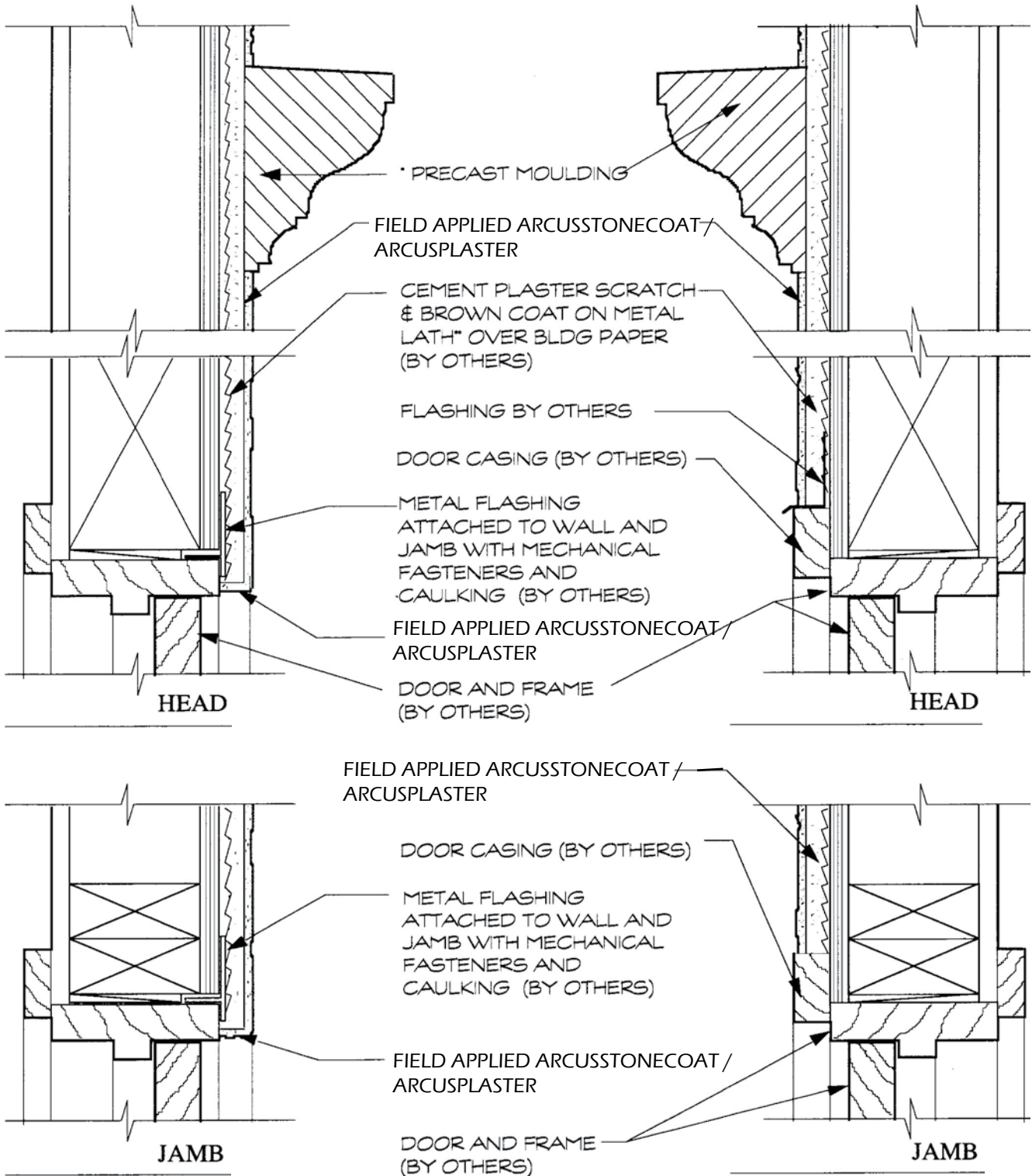
## Recessed Exterior Door Details

\*METAL LATH TO BE EXPANDED DIAMOND METAL LATH, SELF FURRING, 3.4 LBS/S.Y. OVER 2 LAYERS GRADE D 60 MIN. BUILDING PAPER

# Suggested Exterior Door Details

Flush Exterior Door w/o Casing

Flush Exterior Door w/Casings



\*METAL LATH TO BE EXPANDED DIAMOND METAL LATH, SELF FURRING, 3.4 LBS/S.Y. OVER 2 LAYERS GRADE D 60 MIN. BUILDING PAPER