

488000 TORNILLOS, TUERCAS, Y ARANADELAS/NAILS, FLAT WASHER, AND LOCK WASHER ZINC

TORNILLOS ESTUFA CON CABEZA REDONDA RANURADA



NO. DE ARTICULO	DESCRIPCION	CTD
091-041	1/8"X1/2"	100
091-058	1/8"X3/4"	100
091-066	1/8" X 1"	100
091-074	1/8"X1-1/4"	100
091-082	1/8"X1-1/2"	100
091-090	1/8"X2"	100

TORNILLOS ESTUFA CON CABEZA REDONDA RANURADA



091-108	3/16" X 1/2"	100
091-116	3/16" X 3/4"	100
091-124	3/16" X 1"	100
091-132	3/16" X 1-1/2"	100
091-140	3/16" X 2"	100
091-157	3/16" X 2-1/2"	100
091-165	3/16" X 3"	100
091-173	3/16" X 3-1/2"	100
091-181	3/16" X 4"	100

TORNILLOS ESTUFA CON CABEZA REDONDA RANURADA



091-199	1/4"X1/2"	100
091-207	1/4"X3/4"	100
091-215	1/4"X1"	100
091-223	1/4"X1-1/2"	100
091-231	1/4"X2"	100
091-249	1/4"X2-1/2"	100
091-256	1/4"X3"	100
091-264	1/4"X3-1/2"	100
091-272	1/4"X4"	100

TORNILLOS ESTUFA CON CABEZA REDONDA RANURADA



091-306	5/16"X1"	100
091-314	5/16"X1-1/2"	100
091-330	5/16"X2-1/2"	100
091-348	5/16"X3"	100
091-355	5/16"X3-1/2"	100

488000 TORNILLOS, TUERCAS, Y ARANADELAS/NAILS, FLAT WASHER, AND LOCK WASHER ZINC

TORNILLO ESTUFA CON CABEZA PLANA RANURADA		
		
091-371	1/8"X1/2"	100
091-389	1/8"X3/4"	100
091-397	1/8"X1"	100
091-405	1/8"X1-1/2"	100
091-413	1/8"X2"	100

TORNILLO ESTUFA CON CABEZA PLANA RANURADA		
		
091-421	3/16"X1/2"	100
091-439	3/16"X3/4"	100
091-447	3/16"X1"	100
091-454	3/16"X1-1/2"	100
091-462	3/16"X2"	100
091-470	3/16"X2-1/2"	100
091-488	3/16"X3"	100

TORNILLO ESTUFA CON CABEZA PLANA RANURADA		
		
091-512	1/4"X1/2"	100
091-520	1/4"X3/4"	100
091-538	1/4"X1"	100
091-546	1/4"X1-1/2"	100
091-553	1/4"X2"	100
091-587	1/4"X3-1/2"	100

TORNILLO ESTUFA CON CABEZA PLANA RANURADA		
		
091-629	5/16"X1"	100
091-660	5/16"X3"	100

TORNILLO MAQUINA CABEZA REDONDA RANURADA #6-32		
		
090-431	6/32X1/4	100
091-694	6/32"X1/2"	100
091-702	6/32"X3/4"	100
091-710	6/32"X1"	100
091-728	6/32"X1-1/2"	100
091-736	6/32"X2"	100

TORNILLO MAQUINA CABEZA REDONDA RANURADA #8-32		
		
091-744	8/32"X1/2"	100
091-751	8/32"X3/4"	100
091-769	8/32X1"	100
091-777	8/32X1-1/2"	100
091-785	8/32X2"	100

488000 TORNILLOS, TUERCAS, Y ARANADELAS/NAILS, FLAT WASHER, AND LOCK WASHER ZINC

TORNILLO MAQUINA CABEZA REDONDA RANURADA #10-24



091-819	10/24X3/4"	100
091-827	10/24X1"	100
091-835	10/24X1-1/2"	100
091-843	10/24X2"	100

TORNILLO MAQUINA CABEZA REDONDA RANURADA #10-32



091-850	10/32X1/2"	100
091-868	10/32X3/4"	100
091-876	10/32X1"	100
091-884	10/32X1-1/2"	100
091-892	10/32X2"	100

TORNILLO MAQUINA CABEZA REDONDA RANURADA #12-24



091-926	12/24X1"	100
091-934	12/24X1-1/2"	100
091-942	12/24X2"	100

TUERCAS HEXAGONALES



091-959	6-32	100
091-967	8-32	100
091-975	10-24	100
091-983	10-32	100
091-991	12-24	100

PIJA LAMINA CON CABEZA PLANA



092-056	4X1/2"	100
092-114	4X5/8"	100
092-171	4X3/4"	100

PIJA PARA LAMINA CON CABEZA COMBINDADA



092-064	6X1/2"	100
092-122	6X5/8"	100
092-189	6X3/4"	100
092-239	6X1"	100
092-087	6X1-1/4"	100
092-093	6X1-1/2"	100
092-099	6X2"	100

488000 TORNILLOS, TUERCAS, Y ARANADELAS/NAILS, FLAT WASHER, AND LOCK WASHER ZINC

PIJA PARA LAMINA CON CABEZA COMBINDADA		
		
092-087	6X1-1/4	100
092-093	6X1-1/2	100
092-099	6X2	100

PIJA PARA LAMINA CON CABEZA COMBINDADA		
		
092-031	8X3/8"	100
092-080	8X1/2"	100
092-205	8X3/4"	100
092-254	8X1"	100
092-296	8X1-1/4"	100
092-338	8X1-1/2"	100
099-234	8"X2"	100

PIJA PARA LAMINA CON CABEZA COMBINDADA		
		
092-049	10X3/8"	100
092-098	10X1/2"	100
092-155	10X5/8"	100
092-213	10X3/4"	100
092-262	10X1"	100
092-304	10X1-1/4"	100
092-346	10X1-1/2"	100
099-242	10"X2"	100

PIJA PARA LAMINA CON CABEZA COMBINDADA		
		
092-106	12X1/2"	100
092-221	12X3/4"	100
092-270	12X1"	100
092-312	12X1-1/4"	100
092-353	12X1-1/2"	100
099-259	12"X2"	100

PIJA PARA LAMINA CON CABEZA COMBINDADA		
		
092-288	14X1"	100
092-320	14X1-1/4"	100
092-361	14X1-1/2"	100
093-369	14X2-1/2"	100


PIJA PARA LAMINA CON CABEZA COMBINDADA		
		
095-054	6X1	12,000

488000 TORNILLOS, TUERCAS, Y ARANADELAS/NAILS, FLAT WASHER, AND LOCK WASHER ZINC


PIJA PARA MADERA CON CABEZA PLANA		
		
092-379	4X3/8"	100
092-411	4X1/2"	100
092-478	4X5/8"	100

PIJA PARA MADERA CON CABEZA PLANA		
		
092-387	5X3/8"	100
092-429	5X1/2"	100
092-486	5X5/8"	100
092-569	5X1"	100


PIJA PARA MADERA CON CABEZA PLANA		
		
092-395	6X3/8"	100
092-437	6X1/2"	100
092-494	6X5/8"	100
092-528	6X3/4"	100
092-577	6X1"	100
092-650	6X1-1/2"	100

PIJA PARA MADERA CON CABEZA PLANA		
		
092-445	7X1/2"	100
092-502	7X5/8"	100
092-536	7X3/4"	100
092-585	7X1"	100

PIJA PARA MADERA CON CABEZA PLANA		
		
092-452	8X1/2"	100
092-510	8X5/8"	100
092-544	8X3/4"	100
092-593	8X1"	100
092-668	8X1-1/2"	100
092-700	8X2"	100


PIJA PARA MADERA CON CABEZA PLANA		
		
092-551	10X3/4"	100
092-635	10X1-1/4"	100
092-676	10X1-1/2"	100
092-718	10X2"	100
092-759	10X2-1/2"	100
092-791	10X3"	100


488000 TORNILLOS, TUERCAS, Y ARANADELAS/NAILS, FLAT WASHER, AND LOCK WASHER ZINC


PIJA PARA MADERA CON CABEZA PLANA		
		
092-619	12X1"	100
092-643	12X1-1/4"	100
092-684	12X1-1/2"	100
092-726	12X2"	100
092-767	12X2-1/2"	100
092-809	12X3"	100

PIJA PARA MADERA CON CABEZA PLANA		
		
092-734	14X2"	100
092-775	14X2-1/2"	100
092-817	14X3"	100


PIJA PARA MADERA CON CABEZA PLANA		
		
092-742	16X2"	100
092-783	16X2-1/2"	100
092-825	16X3"	100


PIJA HEXAGONAL PARA MADERA		
		
142-492	1/4" X 1- 1/2"	100
142-499	1/4" X 2"	100
488-000	1/4" X 2-1/2"	100
142-506	1/4" X 3"	100
488-007	1/4" X 3-1/2"	100
142-513	1/4" X 4"	100
094-516	1/4"X4-1/2"	100
094-524	1/4"X5"	100
094-532	1/4"X6"	100


PIJA HEXAGONAL PARA MADERA		
		
094-540	5/16"X1"	100
488-071	5/16" X 1-1/2"	
142-520	5/16" X 2"	100
142-527	5/16" X 2- 1/2"	100
142-534	5/16" X 3"	100
488-014	5/16" X 4-1/2"	50
094-615	5/16"X4-1/2"	50
094-623	5/16"X5"	50
094-631	5/16"X5-1/2"	50
094-649	5/16"X6"	50


PIJA HEXAGONAL PARA MADERA		
		
094-656	3/8"X1"	100
094-664	3/8"X1-1/2"	100
094-672	3/8"X2"	100
488-021	3/8" X 3"	50
488-028	3/8" X 3-1/2"	50
094-714	3/8X4"	100
094-722	3/8"X4-1/2"	50
094-730	3/8"X5"	50
094-748	3/8"X5-1/2"	50
094-755	3/8"X6"	50

488000 TORNILLOS, TUERCAS, Y ARANADELAS/NAILS, FLAT WASHER, AND LOCK WASHER ZINC


PIJA HEXAGONAL PARA MADERA		
		
094-771	1/2"X2"	50
094-789	1/2"X2-1/2"	50
094-797	1/2"X3"	50
094-805	1/2"X3-1/2"	25
094-813	1/2"X4"	25

TORNILLOS GRADO 2 CABEZA HEXAGONAL		
		
094-821	1/4"X1/2"	100
094-839	1/4"X3/4"	100
094-847	1/4"X1"	100
094-862	1/4"X1-1/2"	100
094-888	1/4"X2"	100
094-904	1/4"X2-1/2"	100
094-920	1/4"X3"	100
094-946	1/4"X3-1/2"	100
094-961	1/4"X4"	100
094-979	1/4"X4-1/2"	100
094-987	1/4"X5"	100
094-995	1/4"X5-1/2"	100
095-000	1/4"X6"	100


TORNILLOS GRADO 2 CABEZA HEXAGONAL		
		
095-018	5/16"X1/2"	100
095-026	5/16"X3/4"	100
095-034	5/16"X1"	100
095-059	5/16"X1-1/2"	100
095-075	5/16"X2"	100
095-091	5/16"X2-1/2"	100
095-117	5/16"X3"	100
095-133	5/16"X3-1/2"	100
095-158	5/16"X4"	50
095-166	5/16"X4-1/2"	50
095-174	5/16"X5"	50
095-182	5/16"X5-1/2"	50
095-190	5/16"X6"	50

TORNILLOS GRADO 2 CABEZA HEXAGONAL		
		
095-208	3/8"X1/2"	100
095-216	3/8"X3/4"	100
095-224	3/8" X 1"	100
095-240	3/8"X1-1/2"	100
095-265	3/8" X 2"	100
095-281	3/8"X2-1/2"	50
095-307	3/8"X3"	50
095-323	3/8"X3-1/2"	50
095-349	3/8"X4"	50
095-356	3/8"X4-1/2"	50
095-364	3/8" X 5"	50
095-372	3/8"X5-1/2"	50
095-380	3/8"X6"	50

488000 TORNILLOS, TUERCAS, Y ARANADELAS/NAILS, FLAT WASHER, AND LOCK WASHER ZINC

TORNILLOS GRADO 2 CABEZA HEXAGONAL		
		
095-398	7/16"X1"	100
095-414	7/16"X1-1/2"	50
095-430	7/16"X2"	50
095-455	7/16"X2-1/2"	50
095-471	7/16"X3"	50
095-497	7/16"X3-1/2"	25
095-513	7/16"X4"	25
095-521	7/16"X4-1/2"	25
095-539	7/16" X 5"	25
095-547	7/16"X5-1/2"	25
095-554	7/16"X6"	25


TORNILLOS GRADO 2 CABEZA HEXAGONAL		
		
095-562	1/2"X1"	50
095-588	1/2"X1-1/2"	50
095-604	1/2"X2"	50
095-620	1/2"X2-1/2"	50
095-646	1/2"X3"	50
095-661	1/2"X3-1/2"	25
095-687	TORN1/2"X4"	25
095-695	1/2"X4-1/2"	25
095-703	1/2" X 5"	25
095-711	1/2"X5-1/2"	25


TORNILLOS GRADO 2 CABEZA HEXAGONAL		
		
095-752	5/8"X1-1/2"	25
095-778	5/8" X 2"	25
095-794	5/8"X2-1/2"	25
095-810	5/8"X3"	25
095-836	5/8"X3-1/2"	25
095-851	5/8" X 4"	25
095-869	5/8"X4-1/2"	25
095-877	5/8"X5"	25
099-168	5/8"X8"	25


TORNILLOS GRADO 2 CABEZA HEXAGONAL		
		
095-943	3/4"X2"	20
095-968	3/4"X2-1/2"	20
095-984	3/4"X3"	20
096-008	3/4"X3-1/2"	20
096-024	3/4"X4"	20
099-150	3/4"X8"	20


TORNILLOS GRADO 2 CABEZA HEXAGONAL		
		
096-198	1"X3-1/2"	10
096-248	1"X6"	10

488000 TORNILLOS, TUERCAS, Y ARANADELAS/NAILS, FLAT WASHER, AND LOCK WASHER ZINC


TORNILLOS COCHE		
		
098-319	1/4"X1"	100
098-327	1/4"X1-1/2"	100
098-335	1/4"X2"	100
098-343	1/4"X2-1/2"	100
098-368	1/4"X3"	100
098-376	1/4"X3-1/2"	100
098-384	1/4"X4"	100
098-392	1/4"X4-1/2"	100
098-400	1/4"X5"	100
098-426	1/4"X6"	100
098-434	1/4"X7"	100
098-442	1/4"X8"	100


TORNILLOS COCHE		
		
098-459	5/16"X1"	100
098-467	5/16"X1-1/2"	100
098-475	5/16"X2"	100
098-483	5/16"X2-1/2"	100
098-491	5/16"X3"	100
098-509	5/16"X3-1/2"	50
098-517	5/16"X4"	50
098-525	5/16"X4-1/2"	50
098-533	5/16"X5"	50
098-541	5/16"X5-1/2"	50
098-558	5/16"X6"	50
098-566	5/16"X7"	50
098-574	5/16"X8"	50

TORNILLOS COCHE		
		
098-582	3/8"X1"	100
098-590	3/8"X1-1/2"	100
098-616	3/8"X2"	100
098-624	3/8"X2-1/2"	50
098-632	3/8"X3"	50
098-640	3/8"X3-1/2"	50
098-657	3/8"X4"	50
098-665	3/8"X4-1/2"	50
098-673	3/8"X5"	50
098-681	3/8"X5-1/2"	50
098-699	3/8"X6"	50
098-707	3/8"X7"	50
098-715	3/8"X8"	50


TORNILLOS COCHE		
		
098-764	1/2"X1"	50
098-772	1/2"X1-1/2"	50
098-780	1/2"X2"	50
098-798	1/2"X2-1/2"	50
098-806	1/2"X3"	50
098-814	1/2"X3-1/2"	25
098-822	1/2"X4"	25
098-830	1/2"X4-1/2"	25
098-848	1/2"X5"	25
098-855	1/2"X5-1/2"	25
098-863	1/2"X6"	25
098-897	1/2"X9"	25
098-905	1/2"X10"	25

488000 TORNILLOS, TUERCAS, Y ARANDELAS/NAILS, FLAT WASHER, AND LOCK WASHER ZINC

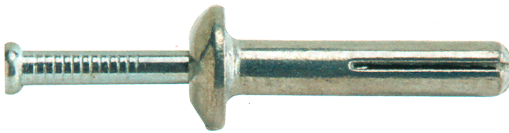
ARANDELA PLANA		
		
093-419	#6	100
099-389	#8	100
099-333	3/16"	100
099-341	1/4"	100
099-358	5/16"	100
099-366	3/8"	100
099-374	7/16"	100
099-382	1/2"	100
097-501	9/16"	100
097-519	5/8"	50
097-741	3/4"	25
097-758	7/8"	25
097-766	1"	25

ARANDELA DE PRESION		
		
098-020	#4	100
098-038	#6	100
098-046	#10	100
098-053	1/4"	100
098-061	5/16"	100
098-079	3/8"	100
098-087	7/16"	100
098-095	1/2"	100
098-103	5/8"	100
098-111	3/4"	100
099-572	7/8"	100
099-580	1"	100

PIJA LAMINA CON CABEZA PHILLIPS		
		
089-110	8X1	100
088-849	8X1-1/2	100

TORNILLOS PARA LAMINA CON CABEZA PHILLIPS		
		
084-335	10X1	100
084-392	10X1-1/2	100
084-418	10X2	100

EXPANSOR DE GOLPE HDA-Z

			
No. DE ARTICULO	TAMAÑO	CANTIDAD	PESO X LBS.
488-033	1/4" X 1- 1/4"	100	4.41
488-040	1/4" X 1- 1/2"	100	2.20
488-045	1/4" X 1-1/2"	1000	
488-047	1/4" X 2"	100	2.20
488-052	1/4" X 2"	1000	