

## 2-POST ELECTROMECHANICAL SCREW LIFT 4 ton 4EC0540



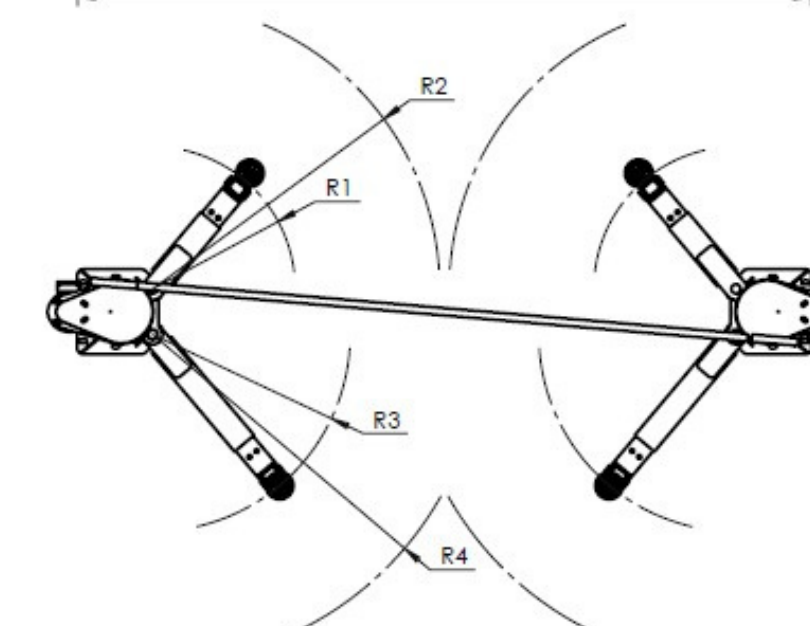
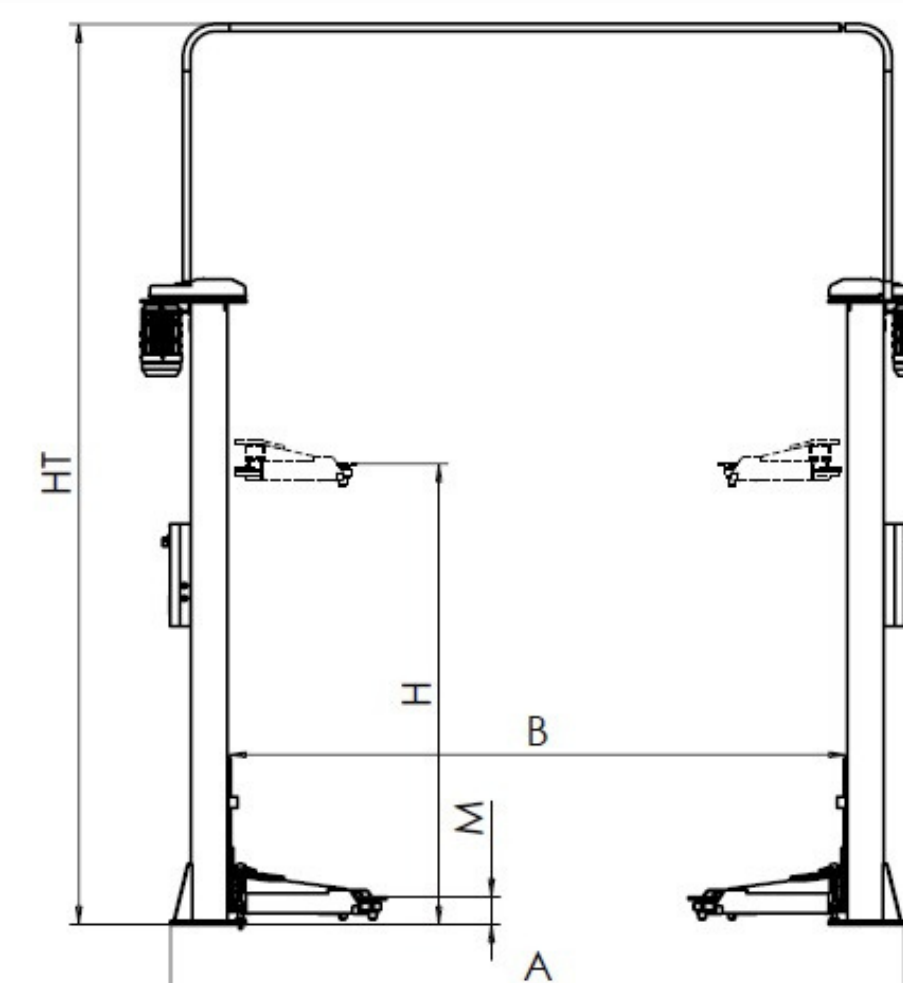
### 4 ton clear floor 2-post lift The best price/performance ratio.

- Synchronisation between columns by proximity switch.
- Maximum stability: High-quality sliders to ensure the stability of the carriages.

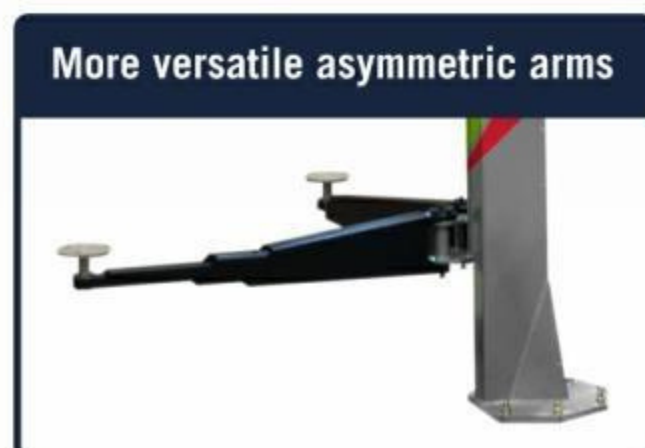


#### Technical data

Width between columns	2800mm
Load capacity	4000 Kg
Minimum height	100 mm
Lifting height	2020 mm
Lifting time	45"
Arm length (min-max)	620-1250 / 860-1440 mm
Overall width	3300 mm
Columns height (including top bridge)	4430 mm
Motor	3 Phase 230/400 V 50/60 Hz. · 2 x 3 KW



A	B	H	HT	M	R1	R2	R3	R4
3300	2800	2020	4430	100	620	1250	860	1440





## ACCESSORIES



Long arms (2 units)

860 - 1440 mm

Ref. 4300600



Express pad arms



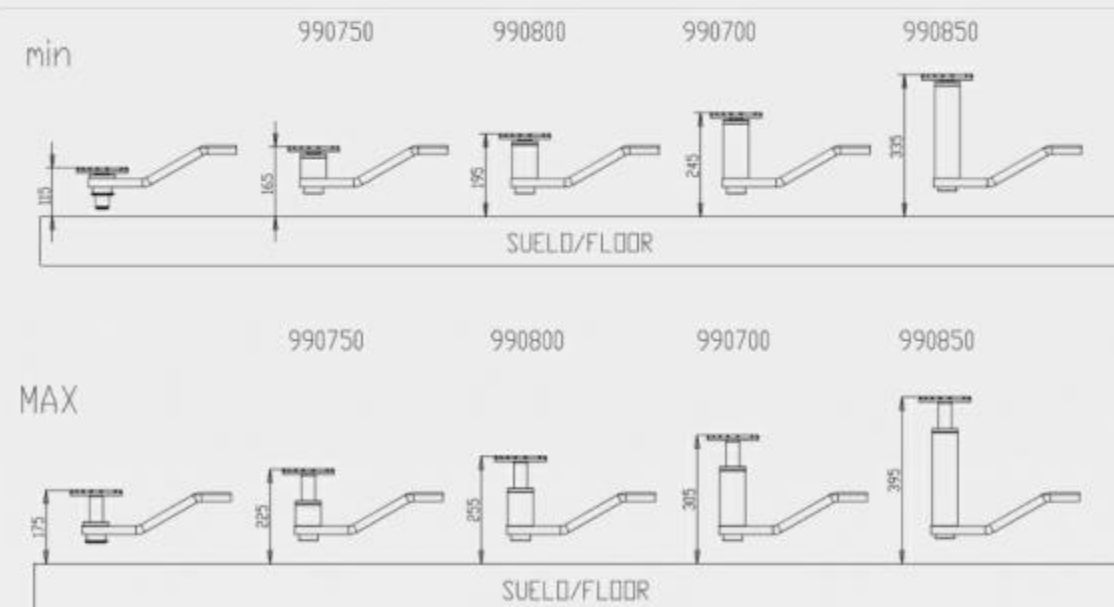
Pad extension

50 mm

80 mm

130 mm

200 mm

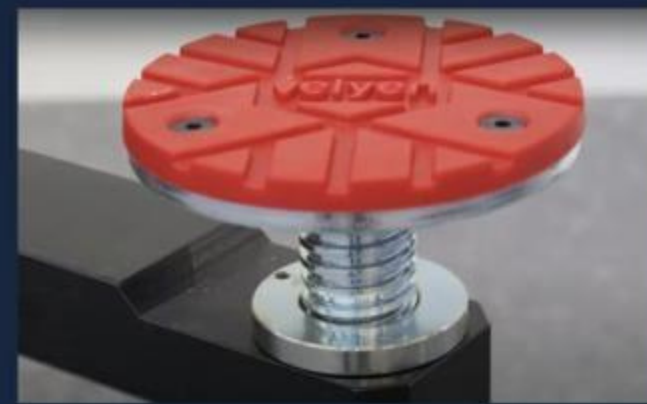


High efficiency  
motors 3 kw

- ✓ New columns with thicker steel
- ✓ New safety and work nuts
- ✓ New bearings
- ✓ New reinforced carriages

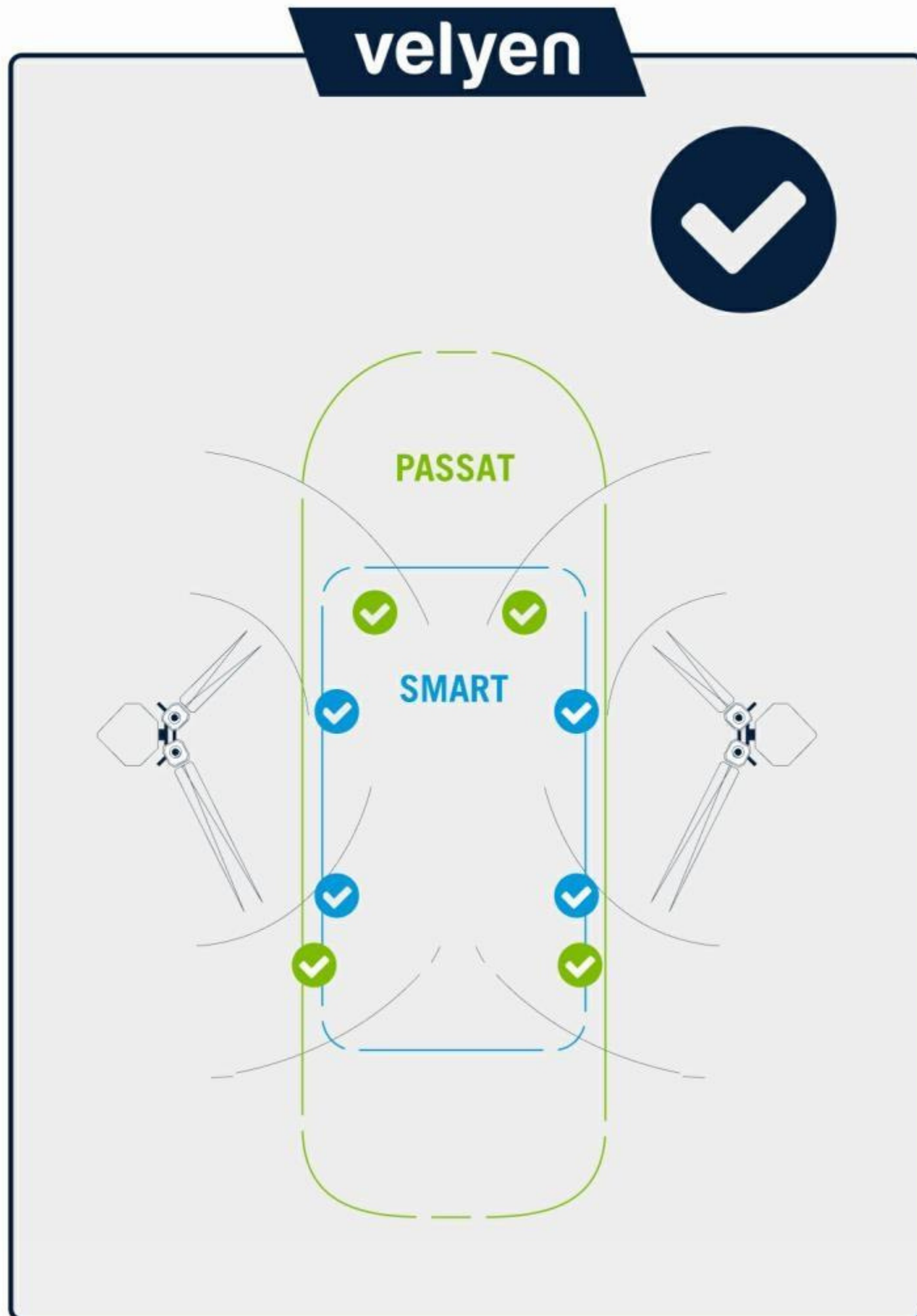


Increase accuracy, avoid  
friction and improve wear  
behaviour with our  
Patented VULKOLLAN  
lifting pads.



Very important before you make the decision:

What kind of vehicles you want to rise?



- ✓ Correct Lifting Point
- ✗ Hazardous or incorrect lifting point

