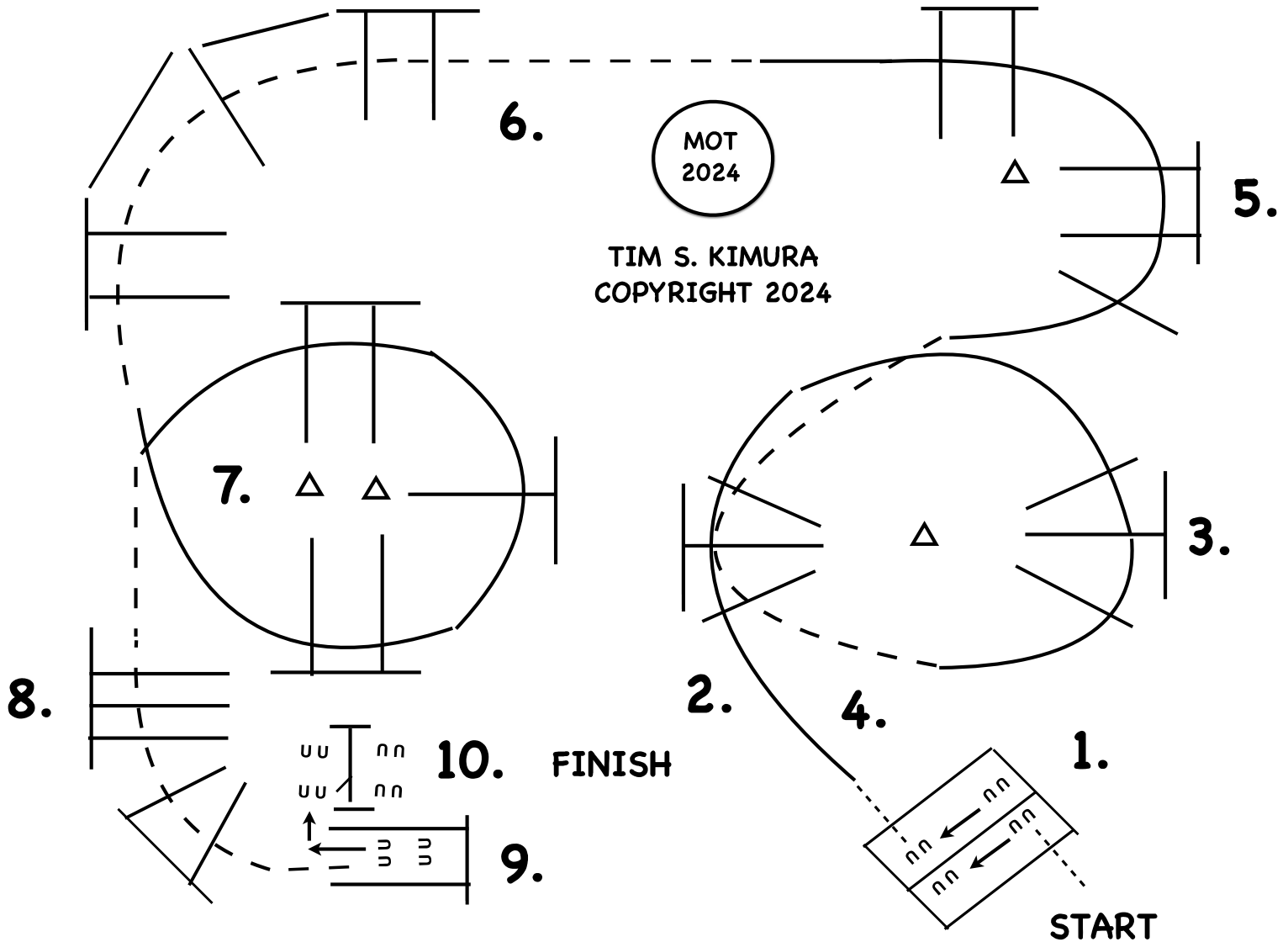


# 2024 PRAIRE CLASSIC QUARTER HORSE SHOW

# JUNIOR AND SENIOR TRAIL HORSES

WEDNESDAY, FEBRUARY 7th



1. WALK OVER POLE, SIDE PASS LEFT, WALK OFF POLE.
2. LOPE OVER POLES (RIGHT LEAD).
3. LOPE OVER POLES (RIGHT LEAD).
4. BREAK TO THE JOG, JOG OVER POLES.
5. LOPE OVER POLES (LEFT LEAD).
6. BREAK TO THE JOG, JOG OVER POLES.
7. LOPE OVER POLES (LEFT LEAD).
8. BREAK TO THE JOG, JOG OVER POLES, JOG INTO CHUTE.
9. BACK BETWEEN POLES, BACK UP TO GATE.
10. WORK GATE LEFT HAND, OPEN RIDE THROUGH AND CLOSE GATE.