

# Focus Wiring Diagrams

## Table of Contents

### Group 1 – General Information

#### General Information

Table of Contents	100-00-00-1
Systems Overview	100-00-01-1
Index	100-00-02-1
Introduction	100-00-03-1
Symbols	100-00-04-1
Connector Repair Procedures	100-00-05-1
Wiring Harness Overview	100-00-06-1

### Group 2 – Chassis

#### Brake System

Anti-Lock Control	206-09A-00-1
Anti-Lock Control – Traction Control	206-09B-00-1
Anti-Lock Control – Stability Assist	206-09C-00-1

### Group 3 – Powertrain

#### Engine

Engine Cooling	303-03-00-1
Fuel Charging and Controls – ZETEC–SE	303-04A-00-1
Fuel Charging and Controls – ZETEC–E, without LPG fuel system	303-04B-00-1
Fuel Charging and Controls – ZETEC–E, with LPG fuel system	303-04E-00-1
Fuel Charging and Controls – Duratorq TDCi	303-04F-00-1
Fuel Charging and Controls – Duratec–ST	303-04G-00-1
Fuel Charging and Controls – Duratec–RS	303-04H-00-1
Fuel Charging and Controls – Duratec 8V	303-04L-00-1
Starting System	303-06-00-1
Engine Ignition – ZETEC–SE	303-07A-00-1
Engine Ignition – ZETEC–E, without LPG fuel system	303-07B-00-1

Glow Plug System – Endura–TDDi	303-07C-00-1
Engine Ignition – ZETEC–E, with LPG fuel system	303-07E-00-1
Glow Plug System – Duratorq TDCi	303-07F-00-1
Engine Ignition – Duratec–ST	303-07G-00-1
Engine Ignition – Duratec–RS	303-07H-00-1
Engine Ignition – Duratec 8V	303-07L-00-1
Electronic Engine Controls – ZETEC–SE	303-14A-00-1
Electronic Engine Controls – ZETEC–E, without LPG fuel system	303-14B-00-1
Electronic Engine Controls – Endura–TDDi	303-14C-00-1
Electronic Engine Controls – ZETEC–E, with LPG fuel system	303-14E-00-1
Electronic Engine Controls – Duratorq TDCi	303-14F-00-1
Electronic Engine Controls – Duratec–ST	303-14G-00-1
Electronic Engine Controls – Duratec–RS	303-14H-00-1
Electronic Engine Controls – Duratec 8V	303-14L-00-1
Automatic Transmission	307-01-00-1
Vehicle Speed Control	310-03-00-1

### Group 4 – Electrical

#### Climate Control System

Heating and Ventilation	412-02A-00-1
Auxiliary Heating	412-02B-00-1
Air Conditioning	412-03A-00-1

#### Instrumentation and Warning System

Instrument Cluster and Panel Illumination	413-00-00-1
Instrument Cluster	413-01-00-1
Horn	413-06-00-1
Clock	413-07-00-1
Information and Message Center	413-08-00-1
Parking Aid	413-13-00-1
Generator and Regulator	414-02-00-1

**Audio Systems**

Audio Unit .....	415-01-00-1
Speakers .....	415-03-00-1

**Lighting Systems**

Exterior Lighting – Headlamps .....	417-01-00-1
Exterior Lighting – Headlamp levelling .....	417-01-00-6
Exterior Lighting – Stop Lamps ...	417-01-00-10
Exterior Lighting – Turn Indicating Lamps .....	417-01-00-14
Exterior Lighting – Position and Parking Lamps .....	417-01-00-19
Exterior Lighting – Licence Plate Illumination .....	417-01-00-28
Exterior Lighting – Fog lamps .....	417-01-00-30
Exterior Lighting – Backup Lamps .	417-01-00-32
Exterior Lighting – Trailer socket ..	417-01-00-41
Interior Lighting .....	417-02-00-1
Daytime Running Lamps .....	417-04-00-1

**Electrical Distribution**

Module Communications Network ..	418-00-00-1
----------------------------------	-------------

**Electronic Feature Group**

Anti-Theft – Active .....	419-01A-00-1
Anti-Theft – Passive .....	419-01B-00-1
Telematics .....	419-05-00-1
Vehicle Route Guidance/Navigation .	419-07-00-1
Cellular Phone .....	419-08-00-1

## Multifunction Electronic

Control Modules .....	419-10-00-1
-----------------------	-------------

**Group 5 – Body and Paint****Chassis**

Rear View Mirrors .....	501-09-00-1
Seating .....	501-10-00-1
Glass, Frames and Mechanisms .....	501-11-00-1
Instrument Panel and Console .....	501-12-00-1
Handles, Locks, Latches and Entry Systems .....	501-14-00-1
Wipers and Washers .....	501-16-00-1
Roof Opening Panel .....	501-17-00-1
Occupant Restraints – Active .....	501-20A-00-1
Occupant Restraints – Passive .....	501-20B-00-1

**Group 7 – General Wiring Information**

Fuse and Relay Information .....	700-01-00-1
Power Distribution .....	700-02-00-1
Fuse Details .....	700-03-00-1
Ground Distribution .....	700-04-00-1
Component Location Charts .....	700-05-00-1
Component Location Views .....	700-06-00-1
Connector Views .....	700-07-00-1
Component Testing .....	700-09-00-1

The illustrations, technical information, data and descriptive text in this issue, to the best of our knowledge, were correct at the time of going to print. The right to make changes at any time, without notice, is reserved as part of Ford's policy of continuous development and improvement.

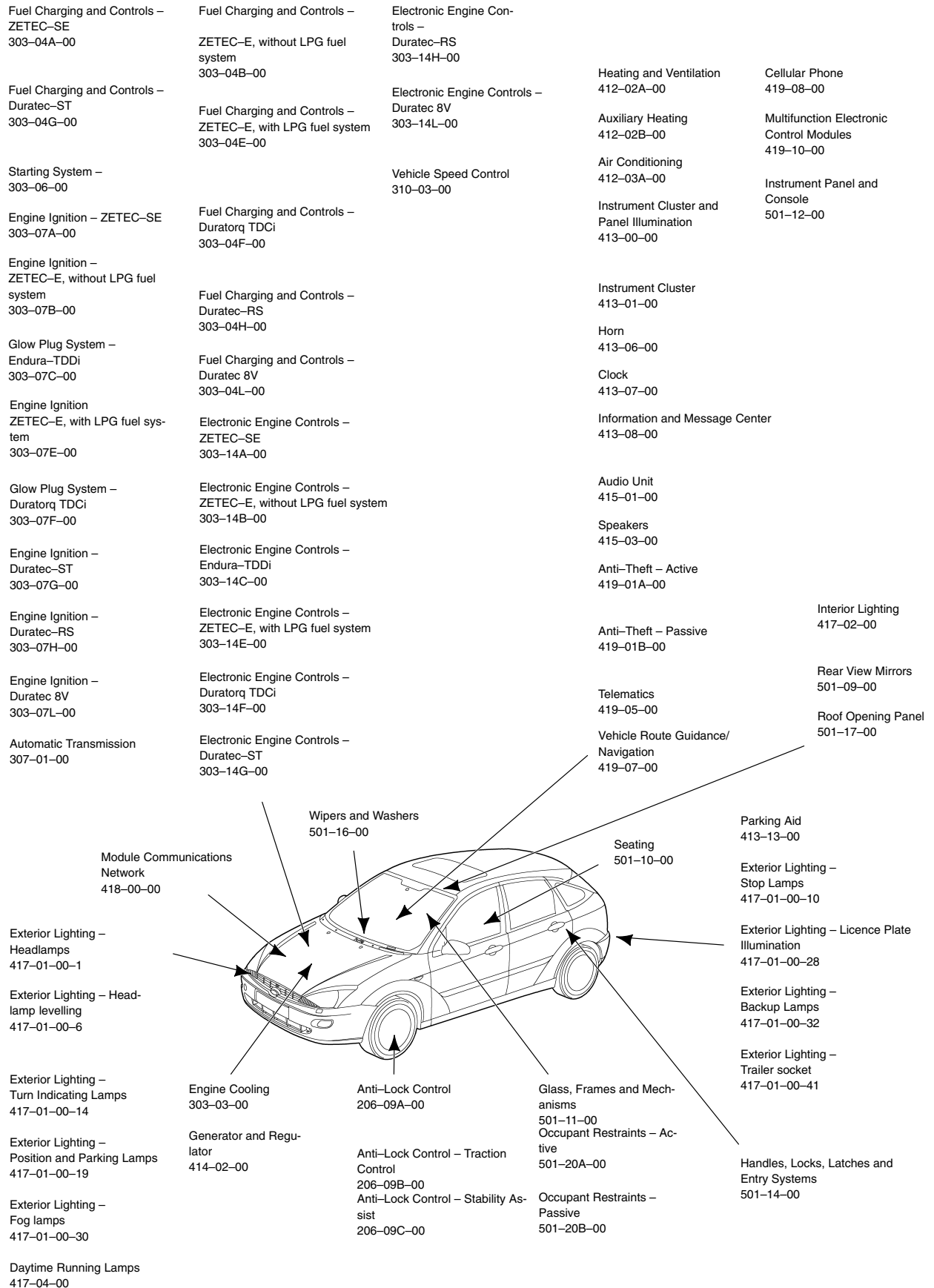
No liability can be accepted for any inaccuracies or omissions in this publication, although every possible care has been taken to make it as complete and accurate as possible.

Published by Ford Motor Company Ltd/Ford Werke AG.

No part of this publication may be reproduced, stored in a retrieval system or transmitted in any form, electronic, mechanical, photocopying, recording, translating or by other means without prior written permission of Ford Motor Company Ltd/Ford Werke AG.

© Ford Motor Company Ltd/Ford Werke AG 2003

Order code: CG1650en (Please quote when re-ordering)



A/C Compressor clutch, Y16	412-03A-00-11
A/C Compressor clutch, Y16	412-03A-00-12
A/C Compressor clutch, Y16	412-03A-00-4
A/C Compressor clutch, Y16	412-03A-00-5
A/C compressor clutch diode, V7	412-03A-00-11
A/C compressor clutch diode, V7	412-03A-00-12
A/C compressor clutch diode, V7	412-03A-00-4
A/C compressor clutch diode, V7	412-03A-00-5
A/C high-pressure switch, N126	412-03A-00-11
A/C high-pressure switch, N126	412-03A-00-12
A/C low-pressure switch, N246	412-03A-00-11
A/C low-pressure switch, N246	412-03A-00-12
A/C low-pressure switch, N246	412-03A-00-3
A/C Wide Open Throttle (WOT) relay, K32	412-03A-00-11
A/C Wide Open Throttle (WOT) relay, K32	412-03A-00-12
A/C Wide Open Throttle (WOT) relay, K32	412-03A-00-4
A/C Wide Open Throttle (WOT) relay, K32	412-03A-00-5
ABS control module, A7	206-09A-00-1
ABS control module, A7	206-09B-00-1
Accelerator pedal position sensor, B129	303-14C-00-4
Accelerator pedal position sensor, B129	303-14F-00-13
Accelerator pedal position sensor, B129	303-14F-00-6
Air bag module, A29	501-20A-00-1
Air bag module, A29	501-20B-00-1
Air bag module, A29	501-20B-00-2
Air bag module, A29	501-20B-00-3
Air Charge Temperature (ACT) sensor, B5	303-14H-00-2
Air Conditioning	412-03A-00
Air shutoff throttle solenoid valve, Y164	303-14F-00-11
Air shutoff throttle solenoid valve, Y164	303-14F-00-5
Air temperature mode actuator, M249	412-03A-00-10
Antenna, A151	415-01-00-1
Antenna, A151	415-01-00-10
Antenna, A151	415-01-00-4
Antenna, A151	419-07-00-1
Antenna, A151	419-08-00-1
Antenna, triplex, A260	415-01-00-13
Antenna, triplex, A260	415-01-00-7
Antenna, triplex, A260	419-07-00-3
Anti-Lock Control – Stability Assist	206-09C-00
Anti-Lock Control – Traction Control	206-09B-00
Anti-Lock Control	206-09A-00
Anti-Theft – Active	419-01A-00
Anti-Theft – Passive	419-01B-00
Anti-theft horn, H5	419-01A-00-1
Anti-theft horn, H5	419-10-00-4
Anti-theft interior scan sensor, front, B102	419-01A-00-5
Anti-theft interior scan sensor, LH side, B38	419-01A-00-4
Anti-theft interior scan sensor, RH side, B39	419-01A-00-4

Ashtray illumination lamp, E39	413-00-00-3
Audio/navigation control unit, A157	415-01-00-10
Audio/navigation control unit, A157	415-01-00-11
Audio/navigation control unit, A157	415-01-00-13
Audio/navigation control unit, A157	415-01-00-16
Audio/navigation control unit, A157	415-03-00-6
Audio/navigation control unit, A157	415-03-00-7
Audio/navigation control unit, A157	419-07-00-1
Audio/navigation control unit, A157	419-07-00-4
Audio Unit	415-01-00
Automatic Transmission	307-01-00
Auxiliary electric coolant heater, R55	412-02B-00-2
Auxiliary Heating	412-02B-00
Auxiliary instrument cluster, A328	413-08-00-1
Barometric Absolute Pressure (BAP) sensor, B70	303-14G-00-2
Barometric Absolute Pressure (BAP) sensor, B70	303-14H-00-3
Battery, O1	700-02-00-1
Battery backup sounder, A196	419-01A-00-2
Battery Junction Box (BJB), P93	700-02-00-1
Battery saver relay, K115	417-02-00-1
Battery saver relay, K115	417-02-00-2
Battery saver relay, K115	417-02-00-3
Battery saver relay, K115	501-09-00-1
Battery saver relay, K115	501-09-00-2
Battery saver relay, K115	501-09-00-3
Battery temperature sensor, B137	303-14C-00-3
Booster heater, R50	412-02B-00-1
Boost pressure sensor, B108	303-14H-00-3
Boost pressure solenoid valve, Y166	303-14F-00-5
Boost pressure solenoid valve, Y166	303-14H-00-7
Brake fluid level switch, N1	413-01-00-10
Brake fluid level switch, N1	413-01-00-4
Brake pedal position switch, N82	310-03-00-2
Brake pedal position switch, N82	310-03-00-4
Busbar, P1	303-06-00-1
Busbar, P1	303-06-00-3
Busbar, P1	303-06-00-4
Camshaft position sensor, B41	303-07A-00-1
Camshaft position sensor, B41	303-07B-00-1
Camshaft position sensor, B41	303-07E-00-1
Camshaft position sensor, B41	303-07G-00-1
Camshaft position sensor, B41	303-07H-00-1
Camshaft position sensor, B41	303-07L-00-1
Camshaft position sensor, B41	303-14A-00-12
Camshaft position sensor, B41	303-14A-00-6
Camshaft position sensor, B41	303-14B-00-13
Camshaft position sensor, B41	303-14B-00-7
Camshaft position sensor, B41	303-14E-00-7
Camshaft position sensor, B41	303-14F-00-10

Camshaft position sensor, B41	303-14F-00-2
Camshaft position sensor, B41	303-14G-00-6
Camshaft position sensor, B41	303-14H-00-7
Camshaft position sensor, B41	303-14L-00-6
Camshaft timing actuator, Y130	303-14G-00-6
Canister purge solenoid valve, Y1	303-14L-00-6
Cargo space lamp, E87	417-02-00-4
CD changer, A144	415-01-00-17
CD changer, A144	415-01-00-18
Cellular Phone	419-08-00
Central Junction Box (CJB), P91	700-02-00-1
Cigar lighter, front, R42	501-12-00-1
Cigar lighter, front, R42	501-12-00-2
Cigar lighter relay, K160	501-12-00-2
Clock, A39	413-07-00-1
Clock	413-07-00
Clock spring, P13	310-03-00-2
Clock spring, P13	310-03-00-4
Clock spring, P13	413-06-00-1
Clock spring, P13	501-20B-00-1
Clock spring, P13	501-20B-00-4
Clutch pedal position switch, N81	303-14A-00-3
Clutch pedal position switch, N81	303-14B-00-4
Clutch pedal position switch, N81	303-14C-00-5
Clutch pedal position switch, N81	303-14E-00-4
Clutch pedal position switch, N81	303-14F-00-14
Clutch pedal position switch, N81	303-14F-00-7
Clutch pedal position switch, N81	303-14G-00-3
Clutch pedal position switch, N81	303-14H-00-4
Clutch pedal position switch, N81	303-14L-00-3
Component Location Charts	700-05-00
Component Location Views	700-06-00
Component Testing	700-09-00
Connector Repair Procedures	100-00-05
Connector Views	700-07-00
Coolant temperature sensor, B6	303-14E-00-3
Cooling fan run-on thermo switch, N349	303-03-00-11
Cooling fan run-on thermo switch, N349	303-03-00-12
Cooling fan run-on thermo switch, N349	303-03-00-14
Cooling fan run-on thermo switch, N349	303-03-00-3
Cooling fan run-on thermo switch, N349	303-03-00-4
Cooling fan run-on thermo switch, N349	303-03-00-5
Cooling fan run-on thermo switch, N349	303-03-00-7
Cooling fan run-on thermo switch, N349	303-03-00-9
Crankshaft position sensor, B43	303-07A-00-1
Crankshaft position sensor, B43	303-07B-00-1
Crankshaft position sensor, B43	303-07E-00-1
Crankshaft position sensor, B43	303-07G-00-1
Crankshaft position sensor, B43	303-07H-00-1

Crankshaft position sensor, B43	303-07L-00-1
Crankshaft position sensor, B43	303-14A-00-12
Crankshaft position sensor, B43	303-14A-00-6
Crankshaft position sensor, B43	303-14B-00-13
Crankshaft position sensor, B43	303-14B-00-7
Crankshaft position sensor, B43	303-14C-00-2
Crankshaft position sensor, B43	303-14E-00-7
Crankshaft position sensor, B43	303-14F-00-10
Crankshaft position sensor, B43	303-14F-00-2
Crankshaft position sensor, B43	303-14G-00-6
Crankshaft position sensor, B43	303-14H-00-7
Crankshaft position sensor, B43	303-14L-00-6
Cylinder-head temperature sensor, B135	303-03-00-1
Cylinder-head temperature sensor, B135	303-03-00-10
Cylinder-head temperature sensor, B135	303-03-00-15
Cylinder-head temperature sensor, B135	303-03-00-18
Cylinder-head temperature sensor, B135	303-03-00-19
Cylinder-head temperature sensor, B135	303-03-00-2
Cylinder-head temperature sensor, B135	303-03-00-20
Cylinder-head temperature sensor, B135	303-03-00-21
Cylinder-head temperature sensor, B135	303-03-00-22
Cylinder-head temperature sensor, B135	303-03-00-23
Cylinder-head temperature sensor, B135	303-03-00-3
Cylinder-head temperature sensor, B135	303-03-00-4
Cylinder-head temperature sensor, B135	303-03-00-5
Cylinder-head temperature sensor, B135	303-03-00-6
Cylinder-head temperature sensor, B135	303-03-00-8
Cylinder-head temperature sensor, B135	303-14A-00-2
Cylinder-head temperature sensor, B135	303-14A-00-8
Cylinder-head temperature sensor, B135	303-14A-00-9
Cylinder-head temperature sensor, B135	303-14B-00-10
Cylinder-head temperature sensor, B135	303-14B-00-3
Cylinder-head temperature sensor, B135	303-14B-00-9
Cylinder-head temperature sensor, B135	303-14C-00-3
Cylinder-head temperature sensor, B135	303-14E-00-2
Cylinder-head temperature sensor, B135	303-14F-00-12
Cylinder-head temperature sensor, B135	303-14F-00-4
Cylinder-head temperature sensor, B135	303-14H-00-3
Cylinder-head temperature sensor, B135	303-14L-00-2
Data Link Connector (DLC), D20	418-00-00-1
Data link connector (LPG), D48	418-00-00-6
Daytime Running Lamps (DRL) relay, K5	417-04-00-1
Daytime Running Lamps (DRL) relay, K5	417-04-00-4
Daytime Running Lamps (DRL) relay, K5	700-02-00-29
Daytime Running Lamps (DRL) relay, K5	700-02-00-30
Daytime Running Lamps	417-04-00
Defrost mode actuator, M210	412-03A-00-9
Demisting switch, N358	412-02A-00-2
Demisting switch, N358	412-03A-00-3

Diesel pump unit, A74	303-14C-00-1
Diode, V33	700-02-00-10
Diode, V33	700-02-00-11
Diode, V33	700-02-00-5
Diode, V33	700-02-00-6
Diode, V33	700-02-00-7
Diode, V33	700-02-00-8
Diode, V33	700-02-00-9
Diode 1, V67	501-14-00-14
Diode 2, V68	501-14-00-14
Direction indicator lamp, LH side front, E3	417-01-00-16
Direction indicator lamp, RH side front, E8	417-01-00-16
Direction indicator switch, N90	417-01-00-1
Direction indicator switch, N90	417-01-00-14
Direction indicator switch, N90	417-01-00-2
Direction indicator switch, N90	417-01-00-3
Direction indicator switch, N90	417-01-00-44
Direction indicator switch, N90	417-01-00-5
Direction indicator switch, N90	417-04-00-3
Direction indicator switch, N90	417-04-00-6
Discharge temperature sensor, floor, B246	412-03A-00-7
Discharge temperature sensor, panel, B247	412-03A-00-7
Door ajar switch, driver side front, N239	417-02-00-5
Door ajar switch, driver side front, N239	417-02-00-6
Door ajar switch, driver side front, N239	419-01A-00-6
Door ajar switch, driver side front, N239	419-01A-00-7
Door ajar switch, driver side front, N239	501-14-00-12
Door ajar switch, driver side front, N239	501-14-00-13
Door ajar switch, driver side front, N239	501-14-00-14
Door ajar switch, driver side rear, N237	417-02-00-5
Door ajar switch, driver side rear, N237	417-02-00-6
Door ajar switch, driver side rear, N237	419-01A-00-6
Door ajar switch, driver side rear, N237	419-01A-00-7
Door ajar switch, driver side rear, N237	501-14-00-12
Door ajar switch, driver side rear, N237	501-14-00-13
Door ajar switch, passenger side front, N240	417-02-00-5
Door ajar switch, passenger side front, N240	417-02-00-6
Door ajar switch, passenger side front, N240	419-01A-00-6
Door ajar switch, passenger side front, N240	419-01A-00-7
Door ajar switch, passenger side front, N240	501-14-00-12
Door ajar switch, passenger side front, N240	501-14-00-13
Door ajar switch, passenger side front, N240	501-14-00-14
Door ajar switch, passenger side rear, N238	417-02-00-5
Door ajar switch, passenger side rear, N238	417-02-00-6
Door ajar switch, passenger side rear, N238	419-01A-00-6
Door ajar switch, passenger side rear, N238	419-01A-00-7
Door ajar switch, passenger side rear, N238	501-14-00-12
Door ajar switch, passenger side rear, N238	501-14-00-13
Door lock motor, driver side, M67	501-14-00-2



Door lock motor, driver side, M67	501-14-00-3
Door lock motor, driver side, M67	501-14-00-6
Door lock motor, driver side, M67	501-14-00-7
Door lock motor, driver side, M67	501-14-00-8
Door lock motor, passenger side, M68	501-14-00-2
Door lock motor, passenger side, M68	501-14-00-3
Door lock motor, passenger side, M68	501-14-00-6
Door lock motor, passenger side, M68	501-14-00-7
Door lock motor, passenger side, M68	501-14-00-8
Door lock motor driver side rear, M78	501-14-00-2
Door lock motor driver side rear, M78	501-14-00-3
Door lock motor driver side rear, M78	501-14-00-9
Door lock motor passenger side rear, M77	501-14-00-2
Door lock motor passenger side rear, M77	501-14-00-3
Door lock motor passenger side rear, M77	501-14-00-9
Driver air bag unit, A42	501-20B-00-1
Driver air bag unit, A42	501-20B-00-4
Driver seat height motor, M158	501-10-00-3
Driver seat height motor, M158	501-10-00-4
Dual pressure switch, N76	303-14L-00-2
Electr. Vacuum Regulator (EVR) solenoid valve, Y33	303-14A-00-12
Electr. Vacuum Regulator (EVR) solenoid valve, Y33	303-14B-00-13
Electr. Vacuum Regulator (EVR) solenoid valve, Y33	303-14C-00-2
Electr. Vacuum Regulator (EVR) solenoid valve, Y33	303-14F-00-11
Electr. Vacuum Regulator (EVR) solenoid valve, Y33	303-14F-00-3
Electronic Automatic Temperature Control (EATC) module, A205	412-03A-00-6
Electronic Automatic Temperature Control (EATC) module, A205	412-03A-00-7
Electronic Automatic Temperature Control (EATC) module, A205	501-11-00-15
Electronic Automatic Temperature Control (EATC) module, A205	501-11-00-16
Electronic Engine Controls – Duratec–RS	303-14H-00
Electronic Engine Controls – Duratec–ST	303-14G-00
Electronic Engine Controls – Duratec 8V	303-14L-00
Electronic Engine Controls – Duratorq TDCi	303-14F-00
Electronic Engine Controls – Endura–TDDi	303-14C-00
Electronic Engine Controls – ZETEC–E, with LPG fuel system	303-14E-00
Electronic Engine Controls – ZETEC–E, without LPG fuel system	303-14B-00
Electronic Engine Controls – ZETEC–SE	303-14A-00
Electronic Stability Program (ESP) module, A176	206-09C-00-1
Electronic Stability Program (ESP) switch, N346	206-09C-00-3
Engine compartment switch, N21	419-01A-00-3
Engine Coolant Temperature (ECT) sensor, B10	303-03-00-12
Engine Coolant Temperature (ECT) sensor, B10	303-03-00-13
Engine Coolant Temperature (ECT) sensor, B10	303-14G-00-2
Engine Cooling	303-03-00
Engine cooling fan motor, M37	303-03-00-1
Engine cooling fan motor, M37	303-03-00-11
Engine cooling fan motor, M37	303-03-00-12
Engine cooling fan motor, M37	303-03-00-14
Engine cooling fan motor, M37	303-03-00-18

Engine cooling fan motor, M37	303-03-00-19
Engine cooling fan motor, M37	303-03-00-2
Engine cooling fan motor, M37	303-03-00-20
Engine cooling fan motor, M37	303-03-00-21
Engine cooling fan motor, M37	303-03-00-22
Engine cooling fan motor, M37	303-03-00-23
Engine cooling fan motor, M37	303-03-00-3
Engine cooling fan motor, M37	303-03-00-4
Engine cooling fan motor, M37	303-03-00-5
Engine cooling fan motor, M37	303-03-00-7
Engine cooling fan motor, M37	303-03-00-9
Engine cooling fan relay, K45	303-03-00-1
Engine cooling fan relay, K45	303-03-00-10
Engine cooling fan relay, K45	303-03-00-12
Engine cooling fan relay, K45	303-03-00-13
Engine cooling fan relay, K45	303-03-00-15
Engine cooling fan relay, K45	303-03-00-16
Engine cooling fan relay, K45	303-03-00-18
Engine cooling fan relay, K45	303-03-00-19
Engine cooling fan relay, K45	303-03-00-2
Engine cooling fan relay, K45	303-03-00-20
Engine cooling fan relay, K45	303-03-00-21
Engine cooling fan relay, K45	303-03-00-22
Engine cooling fan relay, K45	303-03-00-23
Engine cooling fan relay, K45	303-03-00-3
Engine cooling fan relay, K45	303-03-00-4
Engine cooling fan relay, K45	303-03-00-5
Engine cooling fan relay, K45	303-03-00-6
Engine cooling fan relay, K45	303-03-00-8
Engine cooling fan resistor, R27	303-03-00-11
Engine cooling fan resistor, R27	303-03-00-14
Engine cooling fan resistor, R27	303-03-00-16
Engine cooling fan resistor, R27	303-03-00-2
Engine cooling fan resistor, R27	303-03-00-20
Engine cooling fan resistor, R27	303-03-00-21
Engine cooling fan resistor, R27	303-03-00-23
Engine cooling fan resistor, R27	303-03-00-7
Engine cooling fan resistor, R27	303-03-00-9
Engine Ignition – Duratec–RS	303-07H-00
Engine Ignition – Duratec–ST	303-07G-00
Engine Ignition – Duratec 8V	303-07L-00
Engine Ignition – ZETEC–E, with LPG fuel system	303-07E-00
Engine Ignition – ZETEC–E, without LPG fuel system	303-07B-00
Engine Ignition – ZETEC– SE	303-07A-00
Engine run relay, K84	412-02B-00-1
Engine run relay, K84	700-02-00-14
Engine run relay, K84	700-02-00-20
Evaporative emission (EVAP) canister vent valve, Y131	303-14A-00-12
Evaporative emission (EVAP) canister vent valve, Y131	303-14A-00-6

Evaporative emission (EVAP) canister vent valve, Y131 .....	303-14B-00-13
Evaporative emission (EVAP) canister vent valve, Y131 .....	303-14B-00-7
Evaporative emission (EVAP) canister vent valve, Y131 .....	303-14E-00-7
Evaporative emission (EVAP) canister vent valve, Y131 .....	303-14G-00-6
Evaporative emission (EVAP) canister vent valve, Y131 .....	303-14H-00-7
Exhaust gas recirculation (EGR) valve position sensor, B136 .....	303-14C-00-3
Exhaust Pressure Transducer (EPT) sensor, B40 .....	303-14A-00-8
Exhaust Pressure Transducer (EPT) sensor, B40 .....	303-14B-00-9
Exterior Lighting – Backup Lamps .....	417-01-00-32
Exterior Lighting – Fog lamps .....	417-01-00-30
Exterior Lighting – Headlamp levelling .....	417-01-00-6
Exterior Lighting – Headlamps .....	417-01-00-1
Exterior Lighting – Licence Plate Illumination .....	417-01-00-28
Exterior Lighting – Position and Parking Lamps .....	417-01-00-19
Exterior Lighting – Stop Lamps .....	417-01-00-10
Exterior Lighting – Trailer socket .....	417-01-00-41
Exterior Lighting – Turn Indicating Lamps .....	417-01-00-14
F1 .....	700-03-00-1
F3 .....	700-03-00-2
F4 .....	700-03-00-2
F5 .....	700-03-00-2
F6 .....	700-03-00-2
F7 .....	700-03-00-3
F8 .....	700-03-00-4
F9 .....	700-03-00-4
F10 .....	700-03-00-5
F10 .....	700-03-00-6
F11 .....	700-03-00-5
F11 .....	700-03-00-6
F12 .....	700-03-00-5
F12 .....	700-03-00-6
F13 .....	700-03-00-7
F14 .....	700-03-00-7
F15 .....	700-03-00-7
F16 .....	700-03-00-7
F17 .....	700-03-00-7
F18 .....	700-03-00-8
F20 .....	700-03-00-9
F20 .....	700-03-00-10
F21 .....	700-03-00-11
F21 .....	700-03-00-12
F22 .....	700-03-00-11
F22 .....	700-03-00-12
F23 .....	700-03-00-11
F23 .....	700-03-00-12
F24 .....	700-03-00-11
F24 .....	700-03-00-12
F25 .....	700-03-00-13
F26 .....	700-03-00-13

F27	700-03-00-13
F28	700-03-00-14
F28	700-03-00-15
F29	700-03-00-14
F29	700-03-00-15
F30	700-03-00-16
F31	700-03-00-16
F32	700-03-00-16
F33	700-03-00-17
F34	700-03-00-17
F35	700-03-00-18
F36	700-03-00-18
F37	700-03-00-19
F37	700-03-00-20
F38	700-03-00-21
F38	700-03-00-22
F39	700-03-00-21
F39	700-03-00-22
F40	700-03-00-23
F40	700-03-00-24
F40	700-03-00-25
F40	700-03-00-26
F40	700-03-00-27
F40	700-03-00-28
F41	700-03-00-29
F42	700-03-00-30
F43	700-03-00-31
F43	700-03-00-32
F44	700-03-00-33
F45	700-03-00-33
F46	700-03-00-33
F47	700-03-00-34
F47	700-03-00-35
F48	700-03-00-34
F48	700-03-00-35
F49	700-03-00-34
F49	700-03-00-35
F50	700-03-00-36
F52	700-03-00-36
F53	700-03-00-37
F55	700-03-00-38
F56	700-03-00-38
F57	700-03-00-39
F57	700-03-00-40
F57	700-03-00-41
F58	700-03-00-42
F58	700-03-00-43
F58	700-03-00-44
F59	700-03-00-45

F60	700-03-00-45
F61	700-03-00-46
F62	700-03-00-47
F63	700-03-00-47
F64	700-03-00-48
F65	700-03-00-48
F98	700-03-00-49
F99	700-03-00-49
F2000	700-03-00-50
Flexible fuel module, A330	419-10-00-3
Fog lamp, LH side front, E43	417-01-00-30
Fog lamp, LH side front, E43	417-01-00-31
Fog lamp, RH side front, E42	417-01-00-30
Fog lamp, RH side front, E42	417-01-00-31
Forward crash sensor, B229	501-20B-00-4
Front seat height motor, M45	501-10-00-1
Front seat height motor, M45	501-10-00-2
Fuel Charging and Controls – Duratec–RS	303-04H-00
Fuel Charging and Controls – Duratec–ST	303-04G-00
Fuel Charging and Controls – Duratec 8V	303-04L-00
Fuel Charging and Controls – Duratorq TDCi	303-04F-00
Fuel Charging and Controls – ZETEC–E, with LPG fuel system	303-04E-00
Fuel Charging and Controls – ZETEC–E, without LPG fuel system	303-04B-00
Fuel Charging and Controls – ZETEC– SE	303-04A-00
Fuel metering valve, Y165	303-04F-00-1
Fuel metering valve, Y165	303-04F-00-2
Fuel metering valve, Y165	303-14F-00-1
Fuel metering valve, Y165	303-14F-00-9
Fuel pump driver module, A195	303-14G-00-5
Fuel pump relay, K4	303-14A-00-11
Fuel pump relay, K4	303-14A-00-5
Fuel pump relay, K4	303-14B-00-12
Fuel pump relay, K4	303-14B-00-6
Fuel pump relay, K4	303-14E-00-6
Fuel pump relay, K4	303-14G-00-5
Fuel pump relay, K4	303-14H-00-6
Fuel pump relay, K4	303-14L-00-5
Fuel rail pressure transducer sensor, B225	303-04F-00-1
Fuel rail pressure transducer sensor, B225	303-04F-00-2
Fuel rail pressure transducer sensor, B225	303-14F-00-10
Fuel rail pressure transducer sensor, B225	303-14F-00-2
Fuel rail pressure transducer sensor, B225	303-14G-00-2
Fuel selection switch, N370	303-14E-00-9
Fuel tank unit, A31	419-10-00-3
Fuel temperature sensor, B109	303-14F-00-10
Fuel temperature sensor, B109	303-14F-00-2
Fuse and Relay Information	700-01-00
Fuse Details	700-03-00
G1	700-04-00-1

G1 .....	700-04-00-3
G1 .....	700-04-00-4
G1 .....	700-04-00-6
G1 .....	700-04-00-8
G8 .....	700-04-00-1
G8 .....	700-04-00-3
G8 .....	700-04-00-4
G8 .....	700-04-00-6
G8 .....	700-04-00-8
G14 .....	700-04-00-9
G15 .....	700-04-00-10
G15 .....	700-04-00-11
G15 .....	700-04-00-12
G15 .....	700-04-00-13
G24 .....	700-04-00-14
G24 .....	700-04-00-15
G27 .....	700-04-00-16
G27 .....	700-04-00-17
G27 .....	700-04-00-18
G34 .....	700-04-00-19
G35 .....	700-04-00-20
G35 .....	700-04-00-21
G37 .....	700-04-00-22
G41 .....	700-04-00-23
G46 .....	700-04-00-25
G46 .....	700-04-00-26
G46 .....	700-04-00-27
G46 .....	700-04-00-28
G47 .....	700-04-00-29
G50 .....	501-11-00-13
G50 .....	501-11-00-15
G51 .....	501-11-00-13
G51 .....	501-11-00-15
G53 .....	700-04-00-30
G53 .....	700-04-00-31
G55 .....	700-04-00-32
G56 .....	700-04-00-33
G57 .....	700-04-00-34
G60 .....	700-04-00-34
G63 .....	700-04-00-35
G63 .....	700-04-00-36
Gas injector 1, Y176 .....	303-04E-00-2
Gas injector 2, Y177 .....	303-04E-00-2
Gas injector 3, Y178 .....	303-04E-00-2
Gas injector 4, Y179 .....	303-04E-00-2
Gas tank gauge, A185 .....	303-14E-00-10
Gearshift lever unit, N93 .....	307-01-00-1
Generator, O5 .....	414-02-00-1
Generator, O5 .....	414-02-00-2

Generator and Regulator .....	414-02-00
Generic Electronic Module (GEM), A112 .....	417-01-00-14
Generic Electronic Module (GEM), A112 .....	417-01-00-44
Generic Electronic Module (GEM), A112 .....	417-02-00-5
Generic Electronic Module (GEM), A112 .....	417-02-00-6
Generic Electronic Module (GEM), A112 .....	419-01A-00-1
Generic Electronic Module (GEM), A112 .....	419-01A-00-3
Generic Electronic Module (GEM), A112 .....	419-10-00-4
Generic Electronic Module (GEM), A112 .....	501-14-00-1
Generic Electronic Module (GEM), A112 .....	501-16-00-1
Generic Electronic Module (GEM), A112 .....	501-16-00-2
Generic Electronic Module (GEM), A112 .....	501-16-00-3
Glass, Frames and Mechanisms .....	501-11-00
Glove box lamp, E28 .....	417-02-00-1
Glove box lamp, E28 .....	417-02-00-2
Glow plug heater relay 1, K166 .....	412-02B-00-2
Glow plug heater relay 2, K167 .....	412-02B-00-2
Glow plugs, P20 .....	303-07C-00-1
Glow plugs, P20 .....	303-07F-00-1
Glow Plug System – Duratorq TDCi .....	303-07F-00
Glow Plug System – Endura-TDDi .....	303-07C-00
Ground Distribution .....	700-04-00
Handles, Locks, Latches and Entry Systems .....	501-14-00
Hazard flasher switch, N49 .....	417-01-00-14
Hazard flasher switch, N49 .....	417-01-00-44
Headlamp, LH side, E1 .....	417-01-00-6
Headlamp, LH side, E1 .....	417-01-00-7
Headlamp, RH side, E7 .....	417-01-00-6
Headlamp, RH side, E7 .....	417-01-00-7
Headlamp cleaning relay, K34 .....	501-16-00-6
Headlamp levelling sensor, rear, B244 .....	417-01-00-8
Headlamp washer pump, M5 .....	501-16-00-6
Heated windshield relay, K164 .....	501-11-00-13
Heated windshield relay, K164 .....	501-11-00-15
Heater blower motor, M3 .....	412-02A-00-1
Heater blower motor, M3 .....	412-03A-00-1
Heater blower motor, M3 .....	412-03A-00-6
Heater blower series resistor, R21 .....	412-02A-00-1
Heater blower series resistor, R21 .....	412-03A-00-1
Heater blower switch, N73 .....	412-02A-00-1
Heater blower switch, N73 .....	412-03A-00-1
Heater control module, A128 .....	412-02A-00-2
Heater control module, A128 .....	412-03A-00-2
Heater control module, A128 .....	412-03A-00-3
Heater control module, A128 .....	501-11-00-13
Heater control module, A128 .....	501-11-00-14
Heater panel illumination lamp, E69 .....	413-00-00-3
Heating and Ventilation .....	412-02A-00
High beam relay, K37 .....	417-01-00-1

High beam relay, K37	417-01-00-2
High beam relay, K37	417-01-00-5
High beam relay, K37	417-04-00-3
High intensity discharge headlamp, LH side, E181	417-01-00-9
High intensity discharge headlamp, LH side, E181	417-04-00-4
High intensity discharge headlamp, LH side, E181	417-04-00-6
High intensity discharge headlamp, RH side, E182	417-01-00-9
High intensity discharge headlamp, RH side, E182	417-04-00-4
High intensity discharge headlamp, RH side, E182	417-04-00-6
High intensity discharge headlamp control module/levelling sensor, A323	417-01-00-8
High intensity discharge headlamp diagnostic connector, D47	418-00-00-2
High intensity discharge headlamp diagnostic connector, D47	418-00-00-3
High mounted stop lamp, E174	417-01-00-10
High mounted stop lamp, E174	417-01-00-11
High mounted stop lamp, E174	417-01-00-12
High mounted stop lamp, E174	417-01-00-13
High mounted stop lamp, E174	417-01-00-43
High speed engine cooling fan relay, K46	303-03-00-10
High speed engine cooling fan relay, K46	303-03-00-13
High speed engine cooling fan relay, K46	303-03-00-15
High speed engine cooling fan relay, K46	303-03-00-2
High speed engine cooling fan relay, K46	303-03-00-20
High speed engine cooling fan relay, K46	303-03-00-21
High speed engine cooling fan relay, K46	303-03-00-23
High speed engine cooling fan relay, K46	303-03-00-6
High speed engine cooling fan relay, K46	303-03-00-8
Horn, H1	413-06-00-1
Horn	413-06-00
Horn relay, K33	413-06-00-1
Horn switch, N54	413-06-00-1
Ice warning sensor, B29	413-08-00-1
Ice warning sensor, B29	419-10-00-2
Idle speed control valve, Y13	303-04A-00-1
Idle speed control valve, Y13	303-04B-00-1
Idle speed control valve, Y13	303-04E-00-1
Idle speed control valve, Y13	303-04G-00-1
Idle speed control valve, Y13	303-04H-00-1
Idle speed control valve, Y13	303-04L-00-1
Ignition coil, T1	303-07A-00-1
Ignition coil, T1	303-07B-00-1
Ignition coil, T1	303-07E-00-1
Ignition coil, T1	303-07G-00-1
Ignition coil, T1	303-07H-00-1
Ignition coil, T1	303-07L-00-1
Ignition relay, K41	303-06-00-2
Ignition relay, K41	700-02-00-3
Ignition relay, K41	700-02-00-4
Ignition switch, N278	700-02-00-21
Ignition switch, N278	700-02-00-22



Ignition switch, N278	700-02-00-23
Index	100-00-02
Inertia Fuel Shutoff (IFS) switch, N316	303-04E-00-2
Inertia Fuel Shutoff (IFS) switch, N316	303-14A-00-11
Inertia Fuel Shutoff (IFS) switch, N316	303-14A-00-5
Inertia Fuel Shutoff (IFS) switch, N316	303-14B-00-12
Inertia Fuel Shutoff (IFS) switch, N316	303-14B-00-6
Inertia Fuel Shutoff (IFS) switch, N316	303-14E-00-6
Inertia Fuel Shutoff (IFS) switch, N316	303-14G-00-5
Inertia Fuel Shutoff (IFS) switch, N316	303-14H-00-6
Inertia Fuel Shutoff (IFS) switch, N316	303-14L-00-5
Information and Message Center	413-08-00
Injection pump power (IPP) relay, K219	303-04F-00-1
Injection pump power (IPP) relay, K219	303-14C-00-1
Injection pump power (IPP) relay, K219	303-14F-00-1
Injector 1, Y108	303-04A-00-1
Injector 1, Y108	303-04B-00-1
Injector 1, Y108	303-04E-00-1
Injector 1, Y108	303-04F-00-1
Injector 1, Y108	303-04F-00-2
Injector 1, Y108	303-04G-00-1
Injector 1, Y108	303-04H-00-1
Injector 1, Y108	303-04L-00-1
Injector 2, Y109	303-04A-00-1
Injector 2, Y109	303-04B-00-1
Injector 2, Y109	303-04E-00-1
Injector 2, Y109	303-04F-00-1
Injector 2, Y109	303-04F-00-2
Injector 2, Y109	303-04G-00-1
Injector 2, Y109	303-04H-00-1
Injector 2, Y109	303-04L-00-1
Injector 3, Y110	303-04A-00-1
Injector 3, Y110	303-04B-00-1
Injector 3, Y110	303-04E-00-1
Injector 3, Y110	303-04F-00-1
Injector 3, Y110	303-04F-00-2
Injector 3, Y110	303-04G-00-1
Injector 3, Y110	303-04H-00-1
Injector 3, Y110	303-04L-00-1
Injector 4, Y111	303-04A-00-1
Injector 4, Y111	303-04B-00-1
Injector 4, Y111	303-04E-00-1
Injector 4, Y111	303-04F-00-1
Injector 4, Y111	303-04F-00-2
Injector 4, Y111	303-04G-00-1
Injector 4, Y111	303-04H-00-1
Injector 4, Y111	303-04L-00-1
Injector cutoff relay, K281	303-04E-00-1
Injector cutoff relay, K281	700-02-00-12

Injector Driver Module (IDM), A313 .....	303-04F-00-1
Injector Driver Module (IDM), A313 .....	303-14F-00-1
Instrument cluster, A30 .....	413-01-00-1
Instrument cluster, A30 .....	413-01-00-7
Instrument Cluster .....	413-01-00
Instrument Cluster and Panel Illumination .....	413-00-00
Instrument Panel and Console .....	501-12-00
Intake air temperature sensor, B64 .....	303-14C-00-3
Intake air temperature sensor, B64 .....	303-14F-00-12
Intake air temperature sensor, B64 .....	303-14F-00-4
Intake Manifold Runner Control (IMRC) module, A166 .....	303-14G-00-7
Intercooler coolant pump, M154 .....	303-03-00-17
Intercooler coolant pump relay, K285 .....	303-03-00-17
Intercooler coolant pump relay, K285 .....	303-06-00-2
Interior lamp, front, E18 .....	417-02-00-1
Interior lamp, front, E18 .....	417-02-00-2
Interior lamp, rear, E19 .....	417-02-00-1
Interior lamp, rear, E19 .....	417-02-00-2
Interior Lighting .....	417-02-00
Introduction .....	100-00-03
Knock sensor, B45 .....	303-07A-00-1
Knock sensor, B45 .....	303-07B-00-1
Knock sensor, B45 .....	303-14A-00-1
Knock sensor, B45 .....	303-14A-00-8
Knock sensor, B45 .....	303-14A-00-9
Knock sensor, B45 .....	303-14B-00-10
Knock sensor, B45 .....	303-14B-00-9
Knock sensor, B45 .....	303-14F-00-10
Knock sensor, B45 .....	303-14F-00-2
Knock sensor, B45 .....	303-14G-00-2
Left front seat back heater, N31 .....	501-10-00-5
Left front seat back heater, N31 .....	501-10-00-6
Left front seat cushion heater, N29 .....	501-10-00-5
Left front seat cushion heater, N29 .....	501-10-00-6
Left front speaker, Y28 .....	415-03-00-1
Left front speaker, Y28 .....	415-03-00-2
Left front speaker, Y28 .....	415-03-00-4
Left front speaker, Y28 .....	415-03-00-5
Left front speaker, Y28 .....	415-03-00-6
Left front speaker, Y28 .....	415-03-00-7
Left rear speaker, Y17 .....	415-03-00-1
Left rear speaker, Y17 .....	415-03-00-2
Left rear speaker, Y17 .....	415-03-00-4
Left rear speaker, Y17 .....	415-03-00-5
Left rear speaker, Y17 .....	415-03-00-6
Left rear speaker, Y17 .....	415-03-00-7
LH Front footwell lamp, E61 .....	417-02-00-1
LH Licence plate lamp, E34 .....	417-01-00-28
LH Licence plate lamp, E34 .....	417-01-00-29

LH Rear direction indicator lamp, E49	417-01-00-18
LH Rear direction indicator lamp, E49	417-01-00-45
LH Vanity mirror lamp, E30	417-02-00-3
Light switch, N120	413-00-00-1
Light switch, N120	417-01-00-1
Light switch, N120	417-01-00-19
Light switch, N120	417-01-00-2
Light switch, N120	417-01-00-20
Light switch, N120	417-01-00-21
Light switch, N120	417-01-00-22
Light switch, N120	417-01-00-23
Light switch, N120	417-01-00-24
Light switch, N120	417-01-00-25
Light switch, N120	417-01-00-26
Light switch, N120	417-01-00-27
Light switch, N120	417-01-00-28
Light switch, N120	417-01-00-29
Light switch, N120	417-01-00-3
Light switch, N120	417-01-00-30
Light switch, N120	417-01-00-31
Light switch, N120	417-01-00-4
Light switch, N120	417-01-00-49
Light switch, N120	417-01-00-5
Light switch, N120	417-01-00-6
Light switch, N120	417-01-00-7
Light switch, N120	417-04-00-1
Light switch, N120	417-04-00-3
Light switch, N120	417-04-00-4
Light switch, N120	417-04-00-5
Light switch, N120	417-04-00-6
Light switch, N120	700-02-00-24
Light switch, N120	700-02-00-25
Light switch, N120	700-02-00-26
Light switch, N120	700-02-00-27
Light switch, N120	700-02-00-28
Light switch, N120	700-02-00-29
Light switch, N120	700-02-00-30
Low beam relay, K36	417-01-00-1
Low beam relay, K36	417-01-00-2
Low beam relay, K36	417-01-00-3
Low beam relay, K36	417-04-00-1
Low beam relay, K36	417-04-00-4
Low beam relay, K36	700-02-00-27
Low beam relay, K36	700-02-00-28
Low beam relay, K36	700-02-00-29
Low beam relay, K36	700-02-00-30
Low cleaning water level switch, N89	419-10-00-2
LPG control module, A341	303-04E-00-2
LPG control module, A341	303-14E-00-1

LPG control module, A341	303-14E-00-3
LPG shutoff valve, Y161	303-14E-00-10
Luggage compartment lamp, E57	417-02-00-4
Main relay (LPG), K274	303-04E-00-2
Main relay (LPG), K274	700-02-00-13
Manifold Absolute Pressure (MAP) sensor, B2	303-14C-00-3
Manifold Absolute Pressure (MAP) sensor, B2	303-14E-00-3
Manifold Absolute Pressure (MAP) sensor, B2	303-14F-00-12
Manifold Absolute Pressure (MAP) sensor, B2	303-14F-00-4
Mass Air Flow (MAF) sensor, B22	303-14A-00-7
Mass Air Flow (MAF) sensor, B22	303-14B-00-1
Mass Air Flow (MAF) sensor, B22	303-14B-00-2
Mass Air Flow (MAF) sensor, B22	303-14B-00-8
Mass Air Flow (MAF) sensor, B22	303-14E-00-2
Mass Air Flow (MAF) sensor, B22	303-14F-00-12
Mass Air Flow (MAF) sensor, B22	303-14F-00-5
Mass Air Flow (MAF) sensor, B22	303-14G-00-1
Mass Air Flow (MAF) sensor 2, B173	303-14H-00-2
Microphone, A164	415-01-00-5
Microphone, A164	415-01-00-8
Microphone, A164	419-07-00-4
Microphone, A164	419-08-00-2
Mirror motor, driver side, M75	501-09-00-1
Mirror motor, driver side, M75	501-09-00-2
Mirror motor, driver side, M75	501-09-00-3
Mirror motor, passenger side, M76	501-09-00-1
Mirror motor, passenger side, M76	501-09-00-2
Mirror motor, passenger side, M76	501-09-00-3
Mobile telephone module, A177	415-01-00-5
Mobile telephone module, A177	419-08-00-2
Module Communications Network	418-00-00
Multifunction Electronic Control Modules	419-10-00
Occupant Restraints – Active	501-20A-00
Occupant Restraints – Passive	501-20B-00
Oil pressure/temperature sensor, B186	413-08-00-1
Oil pressure switch, N17	413-01-00-10
Output Shaft Speed (OSS) sensor, B110	303-14A-00-10
Output Shaft Speed (OSS) sensor, B110	303-14B-00-11
Output Shaft Speed (OSS) sensor, B110	307-01-00-2
Output Shaft Speed (OSS) sensor, B110	310-03-00-3
Panel/floor mode actuator, M250	412-03A-00-10
Park brake switch, N63	413-01-00-10
Park brake switch, N63	413-01-00-4
Parking Aid	413-13-00
Parking aid module, A265	413-13-00-1
Parking aid module, A265	413-13-00-10
Parking aid module, A265	413-13-00-11
Parking aid module, A265	413-13-00-12
Parking aid module, A265	413-13-00-2

Parking aid module, A265	413-13-00-3
Parking aid module, A265	413-13-00-4
Parking aid module, A265	413-13-00-5
Parking aid module, A265	413-13-00-6
Parking aid module, A265	413-13-00-7
Parking aid module, A265	413-13-00-8
Parking aid module, A265	413-13-00-9
Parking aid sensor, rear, inner left, B169	413-13-00-14
Parking aid sensor, rear, inner right, B170	413-13-00-14
Parking aid sensor, rear, outer left, B168	413-13-00-14
Parking aid sensor, rear, outer right, B171	413-13-00-14
Parking aid speaker, rear, Y163	413-13-00-13
Passenger air bag unit, A43	501-20B-00-1
Passenger air bag unit, A43	501-20B-00-4
Passenger seat height motor, M159	501-10-00-3
Passenger seat height motor, M159	501-10-00-4
Passive anti-theft transceiver module, A102	419-01B-00-1
Passive anti-theft transceiver module, A102	419-01B-00-3
Passive anti-theft transceiver module, A102	419-01B-00-4
Phone hand unit, A178	415-01-00-14
Phone hand unit, A178	415-01-00-5
Phone hand unit, A178	415-01-00-8
Phone hand unit, A178	419-05-00-2
Phone hand unit, A178	419-07-00-4
Phone hand unit, A178	419-08-00-2
Post-catalyst heated oxygen sensor (HO2S), B90	303-14A-00-1
Post-catalyst heated oxygen sensor (HO2S), B90	303-14A-00-7
Post-catalyst heated oxygen sensor (HO2S), B90	303-14B-00-1
Post-catalyst heated oxygen sensor (HO2S), B90	303-14B-00-2
Post-catalyst heated oxygen sensor (HO2S), B90	303-14B-00-8
Post-catalyst heated oxygen sensor (HO2S), B90	303-14E-00-1
Post-catalyst heated oxygen sensor (HO2S), B90	303-14G-00-1
Post-catalyst heated oxygen sensor (HO2S), B90	303-14H-00-1
Power Distribution	700-02-00
Power hold relay, K13	700-02-00-10
Power hold relay, K13	700-02-00-11
Power hold relay, K13	700-02-00-16
Power hold relay, K13	700-02-00-18
Power hold relay, K13	700-02-00-5
Power hold relay, K13	700-02-00-6
Power hold relay, K13	700-02-00-7
Power hold relay, K13	700-02-00-8
Power hold relay, K13	700-02-00-9
Power mirror adjust switch, N70	501-09-00-1
Power mirror adjust switch, N70	501-09-00-2
Power mirror adjust switch, N70	501-09-00-3
Power mirror fold module, A148	501-09-00-4
Power point 1, O9	501-12-00-1
Power point 1, O9	501-12-00-2

Power seat switch, driver, N242	501-10-00-1
Power seat switch, driver, N242	501-10-00-2
Power seat switch, driver, N242	501-10-00-3
Power seat switch, driver, N242	501-10-00-4
Power seat switch, passenger, N243	501-10-00-3
Power seat switch, passenger, N243	501-10-00-4
Power steering pressure switch, N96	303-14A-00-12
Power steering pressure switch, N96	303-14A-00-6
Power steering pressure switch, N96	303-14B-00-13
Power steering pressure switch, N96	303-14B-00-7
Power steering pressure switch, N96	303-14E-00-7
Power steering pressure switch, N96	303-14G-00-6
Power steering pressure switch, N96	303-14H-00-7
Power steering pressure switch, N96	303-14L-00-6
Powertrain control module (PCM), A147	303-04A-00-1
Powertrain control module (PCM), A147	303-04B-00-1
Powertrain control module (PCM), A147	303-04F-00-2
Powertrain control module (PCM), A147	303-04G-00-1
Powertrain control module (PCM), A147	303-04H-00-1
Powertrain control module (PCM), A147	303-04L-00-1
Powertrain control module (PCM), A147	303-14A-00-1
Powertrain control module (PCM), A147	303-14A-00-7
Powertrain control module (PCM), A147	303-14B-00-1
Powertrain control module (PCM), A147	303-14B-00-2
Powertrain control module (PCM), A147	303-14B-00-8
Powertrain control module (PCM), A147	303-14C-00-1
Powertrain control module (PCM), A147	303-14E-00-1
Powertrain control module (PCM), A147	303-14F-00-1
Powertrain control module (PCM), A147	303-14F-00-11
Powertrain control module (PCM), A147	303-14G-00-1
Powertrain control module (PCM), A147	303-14H-00-1
Powertrain control module (PCM), A147	303-14L-00-1
Powertrain control module (PCM), A147	307-01-00-2
Powertrain control module (PCM), A147	419-01B-00-1
Pre-catalyst heated oxygen sensor (HO2S), B89	303-14A-00-1
Pre-catalyst heated oxygen sensor (HO2S), B89	303-14A-00-7
Pre-catalyst heated oxygen sensor (HO2S), B89	303-14B-00-1
Pre-catalyst heated oxygen sensor (HO2S), B89	303-14B-00-2
Pre-catalyst heated oxygen sensor (HO2S), B89	303-14B-00-8
Pre-catalyst heated oxygen sensor (HO2S), B89	303-14E-00-1
Pre-catalyst heated oxygen sensor (HO2S), B89	303-14G-00-1
Pre-catalyst heated oxygen sensor (HO2S), B89	303-14H-00-1
Pre-catalyst heated oxygen sensor (HO2S), B89	303-14L-00-1
Pre-glow relay Diesel, K70	303-07C-00-1
Pre-glow relay Diesel, K70	303-07F-00-1
Primary brake pressure sensor, B140	206-09C-00-5
Primary brake pressure sensor 2, B178	206-09C-00-5
Radio, A11	415-01-00-1
Radio, A11	415-01-00-3

Radio, A11 .....	415-01-00-4
Radio, A11 .....	415-01-00-7
Radio, A11 .....	415-03-00-1
Radio, A11 .....	415-03-00-2
Radio, A11 .....	415-03-00-3
Radio, A11 .....	415-03-00-4
Radio, A11 .....	415-03-00-5
Radio, A11 .....	419-05-00-1
Radio, A11 .....	419-08-00-1
Radio remote control switch, N214 .....	415-01-00-15
Radio remote control switch, N214 .....	415-01-00-16
Radio remote control switch, N214 .....	415-01-00-2
Radio remote control switch, N214 .....	415-01-00-6
Radio remote control switch, N214 .....	415-01-00-9
Radio remote control switch, N214 .....	419-05-00-3
Radio remote control switch, N214 .....	419-07-00-5
Radio remote control switch, N214 .....	419-08-00-3
Rear fog lamp, LH side, E89 .....	417-01-00-30
Rear fog lamp, LH side, E89 .....	417-01-00-49
Rear fog lamp, RH side, E86 .....	417-01-00-31
Rear fog lamp cutoff relay, K125 .....	417-01-00-49
Rear lamp assembly, LH side, E9 .....	417-01-00-10
Rear lamp assembly, LH side, E9 .....	417-01-00-11
Rear lamp assembly, LH side, E9 .....	417-01-00-12
Rear lamp assembly, LH side, E9 .....	417-01-00-13
Rear lamp assembly, LH side, E9 .....	417-01-00-19
Rear lamp assembly, LH side, E9 .....	417-01-00-20
Rear lamp assembly, LH side, E9 .....	417-01-00-21
Rear lamp assembly, LH side, E9 .....	417-01-00-22
Rear lamp assembly, LH side, E9 .....	417-01-00-23
Rear lamp assembly, LH side, E9 .....	417-01-00-24
Rear lamp assembly, LH side, E9 .....	417-01-00-25
Rear lamp assembly, LH side, E9 .....	417-01-00-26
Rear lamp assembly, LH side, E9 .....	417-01-00-27
Rear lamp assembly, LH side, E9 .....	417-01-00-38
Rear lamp assembly, LH side, E9 .....	417-01-00-43
Rear lamp assembly, LH side, E9 .....	417-01-00-47
Rear lamp assembly, LH side, E9 .....	417-01-00-48
Rear lamp assembly, RH side, E10 .....	417-01-00-10
Rear lamp assembly, RH side, E10 .....	417-01-00-11
Rear lamp assembly, RH side, E10 .....	417-01-00-12
Rear lamp assembly, RH side, E10 .....	417-01-00-13
Rear lamp assembly, RH side, E10 .....	417-01-00-19
Rear lamp assembly, RH side, E10 .....	417-01-00-20
Rear lamp assembly, RH side, E10 .....	417-01-00-21
Rear lamp assembly, RH side, E10 .....	417-01-00-22
Rear lamp assembly, RH side, E10 .....	417-01-00-23
Rear lamp assembly, RH side, E10 .....	417-01-00-24
Rear lamp assembly, RH side, E10 .....	417-01-00-25

Rear lamp assembly, RH side, E10	417-01-00-26
Rear lamp assembly, RH side, E10	417-01-00-27
Rear lamp assembly, RH side, E10	417-01-00-38
Rear lamp assembly, RH side, E10	417-01-00-43
Rear lamp assembly, RH side, E10	417-01-00-47
Rear lamp assembly, RH side, E10	417-01-00-48
Rear View Mirrors	501-09-00
Rear window heater, R19	501-11-00-14
Rear window heater, R19	501-11-00-16
Rear window heater relay, K1	501-11-00-14
Rear window heater relay, K1	501-11-00-16
Rear window wiper motor, M9	501-16-00-5
Rear wiper relay, K64	501-16-00-5
Recirculation air actuator, M69	412-02A-00-2
Recirculation air actuator, M69	412-03A-00-3
Recirculation air actuator, M69	412-03A-00-9
Remote control antenna, A158	419-01A-00-1
Remote control antenna, A158	419-01A-00-2
Remote control antenna, A158	419-10-00-4
Remote control antenna, A158	501-14-00-1
Resistor, R57	413-13-00-13
Restraints Control Module (RCM), A208	501-20A-00-2
Restraints Control Module (RCM), A208	501-20B-00-4
Restraints Control Module (RCM), A208	501-20B-00-5
Restraints Control Module (RCM), A208	501-20B-00-6
Reversing lamp, left, E105	413-13-00-10
Reversing lamp, left, E105	413-13-00-7
Reversing lamp, left, E105	417-01-00-32
Reversing lamp, left, E105	417-01-00-33
Reversing lamp, left, E105	417-01-00-37
Reversing lamp, right, E109	413-13-00-1
Reversing lamp, right, E109	413-13-00-4
Reversing lamp, right, E109	417-01-00-32
Reversing lamp, right, E109	417-01-00-33
Reversing lamp, right, E109	417-01-00-36
RH Front footwell lamp, E62	417-02-00-1
RH Licence plate lamp, E35	417-01-00-28
RH Licence plate lamp, E35	417-01-00-29
RH Rear direction indicator lamp, E48	417-01-00-18
RH Rear direction indicator lamp, E48	417-01-00-45
RH Vanity mirror lamp, E31	417-02-00-3
Right front seat back heater, N32	501-10-00-5
Right front seat back heater, N32	501-10-00-6
Right front seat cushion heater, N30	501-10-00-5
Right front seat cushion heater, N30	501-10-00-6
Right front speaker, Y18	415-03-00-1
Right front speaker, Y18	415-03-00-2
Right front speaker, Y18	415-03-00-4
Right front speaker, Y18	415-03-00-5



Right front speaker, Y18	415-03-00-6
Right front speaker, Y18	415-03-00-7
Right rear speaker, Y19	415-03-00-1
Right rear speaker, Y19	415-03-00-2
Right rear speaker, Y19	415-03-00-4
Right rear speaker, Y19	415-03-00-5
Right rear speaker, Y19	415-03-00-6
Right rear speaker, Y19	415-03-00-7
Roof Opening Panel	501-17-00
S2	417-01-00-10
S2	417-01-00-11
S2	417-01-00-12
S2	417-01-00-13
S5	413-00-00-1
S6	700-04-00-9
S7	303-14A-00-4
S7	303-14A-00-10
S7	303-14B-00-5
S7	303-14B-00-11
S7	303-14C-00-6
S7	303-14E-00-5
S7	303-14F-00-8
S7	303-14F-00-15
S7	303-14G-00-4
S7	303-14L-00-4
S7	415-01-00-12
S7	415-01-00-16
S8	417-02-00-1
S9	206-09C-00-4
S10	418-00-00-2
S10	418-00-00-3
S11	700-04-00-9
S12	700-04-00-23
S13	303-14E-00-10
S14	501-12-00-2
S16	418-00-00-5
S17	418-00-00-5
S18	417-01-00-32
S18	417-01-00-33
S18	417-01-00-34
S18	417-01-00-35
S18	417-01-00-36
S18	417-01-00-37
S18	417-01-00-38
S18	417-01-00-39
S18	417-01-00-40
S18	700-03-00-23
S18	700-03-00-24
S18	700-03-00-25

S18	700-03-00-26
S18	700-03-00-27
S18	700-03-00-28
S19	412-03A-00-7
S20	417-01-00-4
S20	417-01-00-25
S20	417-01-00-26
S20	417-01-00-27
S20	417-04-00-2
S20	417-04-00-5
S20	700-02-00-25
S20	700-02-00-26
S20	700-03-00-7
S24	412-02A-00-1
S24	412-03A-00-1
S27	206-09C-00-4
S30	303-14A-00-4
S30	303-14A-00-10
S30	303-14B-00-5
S30	303-14B-00-11
S30	303-14C-00-6
S30	303-14E-00-5
S30	303-14F-00-8
S30	303-14F-00-15
S30	303-14G-00-4
S30	415-01-00-9
S30	415-01-00-15
S30	415-01-00-16
S30	419-05-00-3
S30	419-07-00-5
S31	415-01-00-1
S31	700-04-00-35
S31	700-04-00-36
S32	303-04E-00-1
S32	700-03-00-29
S33	700-03-00-16
S34	415-01-00-5
S34	415-01-00-8
S34	415-01-00-14
S34	419-05-00-2
S34	419-07-00-4
S34	419-08-00-2
S35	415-01-00-5
S35	415-01-00-8
S35	415-01-00-14
S35	419-05-00-2
S35	419-07-00-4
S35	419-08-00-2
S36	303-07E-00-1

S36	303-14E-00-7
S36	415-01-00-5
S36	419-08-00-2
S37	415-01-00-5
S37	419-08-00-2
S37	700-04-00-35
S38	303-07E-00-1
S38	303-14E-00-7
S38	415-01-00-5
S38	419-08-00-2
S39	303-14E-00-10
S39	415-01-00-5
S39	419-08-00-2
S40	415-01-00-5
S40	419-08-00-2
S41	303-14E-00-2
S41	415-01-00-5
S41	419-08-00-2
S42	303-04E-00-1
S42	415-01-00-5
S42	419-08-00-2
S43	303-14E-00-1
S45	415-01-00-5
S45	419-08-00-2
S45	700-03-00-10
S46	415-01-00-5
S46	419-08-00-2
S46	700-02-00-13
S47	415-01-00-5
S47	419-08-00-2
S47	700-04-00-5
S48	700-03-00-46
S49	700-03-00-18
S50	700-03-00-29
S52	700-04-00-14
S53	700-04-00-3
S53	700-04-00-4
S53	700-04-00-15
S53	700-04-00-16
S53	700-04-00-17
S53	700-04-00-18
S54	700-02-00-5
S54	700-02-00-6
S54	700-02-00-7
S54	700-02-00-9
S54	700-02-00-11
S54	700-02-00-16
S54	700-02-00-18
S55	700-02-00-14

S55	700-02-00-15
S57	303-14E-00-6
S59	303-14A-00-8
S59	303-14B-00-9
S59	303-14C-00-3
S59	303-14F-00-4
S59	303-14G-00-2
S59	303-14H-00-3
S59	303-14L-00-2
S60	303-14A-00-5
S60	303-14A-00-11
S60	303-14B-00-6
S60	303-14B-00-12
S60	303-14E-00-6
S60	303-14H-00-6
S60	303-14L-00-5
S61	303-14A-00-7
S61	303-14B-00-1
S61	303-14B-00-8
S61	700-03-00-8
S63	303-14A-00-1
S63	303-14A-00-7
S63	303-14B-00-1
S63	303-14B-00-2
S63	303-14B-00-8
S63	303-14C-00-3
S63	303-14E-00-1
S63	303-14F-00-4
S63	303-14G-00-1
S63	303-14H-00-2
S63	303-14L-00-1
S63	303-14L-00-2
S66	700-04-00-8
S67	307-01-00-1
S68	307-01-00-1
S69	700-03-00-47
S70	303-04F-00-2
S70	501-14-00-14
S71	303-04F-00-2
S72	303-14H-00-2
S73	303-14F-00-12
S73	303-14H-00-2
S74	303-14H-00-2
S75	307-01-00-1
S75	417-01-00-36
S75	417-01-00-37
S75	417-01-00-38
S75	417-01-00-39
S75	417-01-00-40

S84	303-14H-00-1
S84	700-03-00-8
S87	307-01-00-1
S90	303-04F-00-1
S90	303-14F-00-1
S92	417-01-00-33
S92	417-01-00-34
S92	417-01-00-35
S93	303-14F-00-10
S94	303-14F-00-10
S95	303-14F-00-10
S96	303-04E-00-2
S96	303-14F-00-10
S96	700-02-00-13
S97	303-14A-00-2
S98	303-14A-00-2
S98	303-14A-00-8
S98	303-14A-00-9
S98	303-14B-00-3
S98	303-14B-00-10
S98	303-14E-00-2
S98	303-14G-00-1
S98	303-14G-00-2
S98	303-14H-00-3
S98	303-14L-00-2
S99a	303-04A-00-1
S99a	303-04B-00-1
S99a	303-04E-00-1
S99a	700-02-00-6
S99a	700-02-00-8
S99a	700-02-00-10
S99a	700-02-00-12
S99b	303-14B-00-2
S99b	303-14E-00-1
S99b	700-03-00-8
S99	303-04L-00-1
S100	303-14B-00-2
S100	303-14E-00-1
S100	303-14G-00-2
S100	303-14H-00-1
S101	412-03A-00-5
S101	700-04-00-33
S102	700-02-00-2
S103	412-03A-00-5
S104	417-01-00-15
S104	417-01-00-16
S105	417-01-00-9
S106	417-01-00-6
S106	417-01-00-7

S109	700-04-00-33
S110	417-01-00-30
S110	417-01-00-31
S111	412-03A-00-4
S111	412-03A-00-5
S111	412-03A-00-11
S111	412-03A-00-12
S112	700-02-00-20
S113	501-11-00-13
S113	501-11-00-15
S114	700-03-00-37
S115	303-03-00-2
S115	303-03-00-7
S115	303-03-00-9
S115	303-03-00-11
S115	303-03-00-14
S115	303-03-00-16
S115	303-03-00-20
S115	303-03-00-21
S115	303-03-00-23
S116	417-01-00-10
S116	417-01-00-11
S116	417-01-00-12
S116	417-01-00-13
S116	417-01-00-43
S117	700-02-00-5
S117	700-02-00-7
S117	700-02-00-9
S117	700-02-00-11
S117	700-02-00-16
S117	700-02-00-18
S118	700-04-00-1
S118	700-04-00-6
S119	700-02-00-14
S119	700-02-00-15
S120	417-01-00-3
S120	417-04-00-1
S120	417-04-00-4
S120	700-02-00-28
S120	700-02-00-29
S120	700-02-00-30
S121	700-04-00-22
S122	700-04-00-2
S122	700-04-00-7
S123	501-16-00-7
S123	700-03-00-37
S124	700-02-00-4
S125	700-03-00-15
S128	501-16-00-6

S133	206-09C-00-5
S134	501-16-00-6
S135	206-09C-00-5
S136	206-09C-00-5
S140	418-00-00-2
S140	418-00-00-3
S141	700-04-00-32
S145	700-03-00-11
S146	700-04-00-10
S146	700-04-00-12
S146	700-04-00-25
S146	700-04-00-26
S148	413-06-00-1
S149	700-04-00-33
S150	700-03-00-31
S150	700-03-00-32
S151	700-04-00-10
S151	700-04-00-12
S152	501-11-00-3
S152	501-11-00-8
S153	700-03-00-31
S153	700-03-00-32
S154	417-01-00-10
S154	417-01-00-11
S154	417-01-00-12
S154	417-01-00-13
S154	417-01-00-43
S155	501-09-00-1
S155	501-09-00-2
S155	501-09-00-3
S155	501-11-00-14
S155	501-11-00-16
S155	700-03-00-36
S156	700-03-00-38
S157	501-10-00-5
S157	501-10-00-6
S157	700-03-00-36
S160	501-14-00-2
S160	501-14-00-3
S160	501-14-00-6
S160	501-14-00-7
S160	501-14-00-8
S161	501-14-00-2
S161	501-14-00-3
S161	501-14-00-6
S161	501-14-00-7
S161	501-14-00-8
S163	501-14-00-6
S163	501-14-00-7

S163	501-14-00-8
S164	501-14-00-2
S164	501-14-00-3
S164	501-14-00-6
S164	501-14-00-7
S164	501-14-00-8
S166	501-14-00-6
S166	501-14-00-7
S166	501-14-00-8
S167	501-14-00-6
S167	501-14-00-7
S167	501-14-00-8
S169	417-02-00-4
S170	700-04-00-10
S170	700-04-00-12
S171	700-04-00-30
S171	700-04-00-31
S173	501-09-00-1
S173	501-09-00-2
S173	501-09-00-3
S174	700-03-00-17
S177	700-04-00-11
S177	700-04-00-13
S178	700-04-00-30
S178	700-04-00-31
S180	412-03A-00-7
S181a	501-10-00-1
S181a	501-10-00-2
S181a	501-10-00-3
S181a	501-10-00-4
S181a	700-04-00-11
S181a	700-04-00-31
S181b	501-10-00-3
S181b	501-10-00-4
S181b	700-04-00-13
S181b	700-04-00-30
S184	700-04-00-25
S184	700-04-00-26
S184	700-04-00-27
S184	700-04-00-28
S190	700-04-00-26
S190	700-04-00-29
S194	700-04-00-12
S194	700-04-00-30
S196	700-04-00-20
S196	700-04-00-21
S197	700-04-00-10
S197	700-04-00-31
S200	501-09-00-2



S200	501-09-00-3
S201	501-11-00-3
S201	501-11-00-8
S201	700-03-00-31
S201	700-03-00-32
S202	501-11-00-4
S202	501-11-00-9
S202	700-03-00-31
S202	700-03-00-32
S203	501-11-00-4
S203	501-11-00-9
S204	501-11-00-4
S204	501-11-00-9
S205a	501-11-00-5
S205a	501-11-00-10
S205a	700-03-00-31
S205a	700-03-00-32
S205b	501-11-00-6
S205b	501-11-00-11
S205b	700-03-00-31
S205b	700-03-00-32
S206a	501-11-00-5
S206a	501-11-00-10
S206b	501-11-00-6
S206b	501-11-00-11
S207a	501-11-00-5
S207a	501-11-00-10
S207b	501-11-00-6
S207b	501-11-00-11
S208	413-00-00-5
S208	501-11-00-7
S208	501-11-00-12
S210	417-01-00-30
S210	417-01-00-31
S210	417-01-00-49
S211	413-13-00-2
S211	413-13-00-5
S211	413-13-00-8
S211	413-13-00-11
S211	417-01-00-34
S211	417-01-00-38
S211	417-01-00-50
S211	700-03-00-24
S211	700-03-00-27
S213	417-02-00-1
S213	417-02-00-2
S213	417-02-00-3
S214	700-04-00-10
S214	700-04-00-12

S221	700-04-00-30
S221	700-04-00-31
S222	419-01A-00-4
S300	501-11-00-13
S300	501-11-00-15
S301	700-02-00-14
S301	700-02-00-20
S302	303-14A-00-3
S302	303-14A-00-10
S302	419-10-00-1
S303	700-03-00-11
S304	415-01-00-3
S304	415-01-00-8
S304	415-03-00-3
S350	412-03A-00-9
S400	303-03-00-3
S400	303-03-00-4
S400	303-03-00-5
S400	303-03-00-7
S400	303-03-00-9
S400	303-03-00-11
S400	303-03-00-12
S400	303-03-00-14
S400	700-03-00-48
S450	700-03-00-31
S450	700-03-00-32
S506	700-03-00-11
S510	303-14A-00-6
S2000	413-13-00-14
S2001	413-13-00-14
S2002	700-03-00-23
S2002	700-03-00-24
S2002	700-03-00-25
S2002	700-03-00-26
S2002	700-03-00-27
S2002	700-03-00-28
S2003	700-03-00-35
Seat belt buckle switch, N124	413-01-00-6
Seat belt tensioner, driver seat, A117	501-20A-00-1
Seat belt tensioner, driver seat, A117	501-20A-00-2
Seat belt tensioner, passenger seat, A116	501-20A-00-1
Seat belt tensioner, passenger seat, A116	501-20A-00-2
Seat heater switch, driver side, N274	501-10-00-5
Seat heater switch, driver side, N274	501-10-00-6
Seat heater switch, passenger side, N275	501-10-00-5
Seat heater switch, passenger side, N275	501-10-00-6
Seating	501-10-00
Second cooling fan motor, M38	303-03-00-11
Second cooling fan motor, M38	303-03-00-14

Second cooling fan motor, M38 . . . . .	303-03-00-16
Second cooling fan motor, M38 . . . . .	303-03-00-2
Second cooling fan motor, M38 . . . . .	303-03-00-20
Second cooling fan motor, M38 . . . . .	303-03-00-21
Second cooling fan motor, M38 . . . . .	303-03-00-23
Second cooling fan motor, M38 . . . . .	303-03-00-7
Second cooling fan motor, M38 . . . . .	303-03-00-9
Second horn, H4 . . . . .	413-06-00-1
Side air bag module, LH side, A155 . . . . .	501-20B-00-2
Side air bag module, LH side, A155 . . . . .	501-20B-00-3
Side air bag module, LH side, A155 . . . . .	501-20B-00-5
Side air bag module, LH side, A155 . . . . .	501-20B-00-6
Side air bag module, RH side, A154 . . . . .	501-20B-00-2
Side air bag module, RH side, A154 . . . . .	501-20B-00-3
Side air bag module, RH side, A154 . . . . .	501-20B-00-5
Side air bag module, RH side, A154 . . . . .	501-20B-00-6
Side air bag sensor, LH side, B119 . . . . .	501-20B-00-2
Side air bag sensor, LH side, B119 . . . . .	501-20B-00-3
Side air bag sensor, LH side, B119 . . . . .	501-20B-00-5
Side air bag sensor, LH side, B119 . . . . .	501-20B-00-6
Side air bag sensor, RH side, B118 . . . . .	501-20B-00-2
Side air bag sensor, RH side, B118 . . . . .	501-20B-00-3
Side air bag sensor, RH side, B118 . . . . .	501-20B-00-5
Side air bag sensor, RH side, B118 . . . . .	501-20B-00-6
Side direction indicator lamp, LH side, E45 . . . . .	417-01-00-15
Side direction indicator lamp, LH side, E45 . . . . .	417-01-00-16
Side direction indicator lamp, RH side, E44 . . . . .	417-01-00-15
Side direction indicator lamp, RH side, E44 . . . . .	417-01-00-16
Spark plugs, P136 . . . . .	303-07A-00-1
Spark plugs, P136 . . . . .	303-07B-00-1
Spark plugs, P136 . . . . .	303-07E-00-1
Spark plugs, P136 . . . . .	303-07G-00-1
Spark plugs, P136 . . . . .	303-07H-00-1
Spark plugs, P136 . . . . .	303-07L-00-1
Speakers . . . . .	415-03-00
Speed control module, A27 . . . . .	310-03-00-1
Starter motor, M8 . . . . .	303-06-00-1
Starter motor, M8 . . . . .	303-06-00-2
Starter motor, M8 . . . . .	303-06-00-3
Starter motor, M8 . . . . .	303-06-00-4
Starter relay, K22 . . . . .	303-06-00-1
Starter relay, K22 . . . . .	303-06-00-2
Starter relay, K22 . . . . .	303-06-00-3
Starter relay, K22 . . . . .	303-06-00-4
Starter relay, K22 . . . . .	419-01B-00-5
Starting System . . . . .	303-06-00
Start switch, N366 . . . . .	303-06-00-2
Steering position sensor, B36 . . . . .	206-09C-00-4
Steering wheel/speed control switch, N78 . . . . .	310-03-00-2

Steering wheel/speed control switch, N78 .....	310-03-00-4
Stop lamp switch, N318 .....	206-09A-00-1
Stop lamp switch, N318 .....	206-09B-00-1
Stop lamp switch, N318 .....	206-09C-00-1
Stop lamp switch, N318 .....	303-14F-00-14
Stop lamp switch, N318 .....	303-14F-00-7
Stop lamp switch, N318 .....	307-01-00-1
Stop lamp switch, N318 .....	310-03-00-2
Stop lamp switch, N318 .....	310-03-00-4
Stop lamp switch, N318 .....	417-01-00-10
Stop lamp switch, N318 .....	417-01-00-11
Stop lamp switch, N318 .....	417-01-00-12
Stop lamp switch, N318 .....	417-01-00-13
Stop lamp switch, N318 .....	417-01-00-43
Subwoofer, Y208 .....	415-01-00-3
Subwoofer, Y208 .....	415-03-00-3
Sunload sensor, B72 .....	412-03A-00-7
Sunroof adjust switch, N230 .....	501-17-00-1
Sunroof unit, A26 .....	501-17-00-1
Symbols .....	100-00-04
Systems Overview .....	100-00-01
Table of Contents .....	100-00-00
Tailgate/decklid anti-theft inhibit switch, N98 .....	419-01A-00-3
Tailgate/decklid anti-theft inhibit switch, N98 .....	501-14-00-10
Tailgate/decklid release switch, N155 .....	419-01A-00-3
Tailgate/decklid release switch, N155 .....	501-14-00-10
Tailgate/decklid release switch, N155 .....	501-14-00-11
Tailgate/decklid release switch, N155 .....	501-14-00-4
Tailgate/decklid release switch, N155 .....	501-14-00-5
Tailgate/decklid switch, N22 .....	417-02-00-4
Tailgate/decklid switch, N22 .....	419-01A-00-3
Tailgate/decklid switch, N22 .....	501-14-00-10
Tailgate/decklid switch, N22 .....	501-14-00-11
Tailgate/decklid switch, N22 .....	501-14-00-4
Tailgate/decklid switch, N22 .....	501-14-00-5
Tank cutoff valve (LPG), Y174 .....	303-14E-00-10
Telematics .....	419-05-00
Telematics module, A303 .....	415-01-00-14
Telematics module, A303 .....	415-01-00-7
Telematics module, A303 .....	419-05-00-2
Telematics module, A303 .....	419-07-00-4
Temperature manifold absolute pressure sensor, B142 .....	303-14A-00-2
Temperature manifold absolute pressure sensor, B142 .....	303-14L-00-2
Thermo switch, outside temperature, N289 .....	412-02B-00-1
Thermo switch, outside temperature, N289 .....	700-02-00-20
Throttle Position Sensor (TPS), B8 .....	303-14A-00-2
Throttle Position Sensor (TPS), B8 .....	303-14A-00-8
Throttle Position Sensor (TPS), B8 .....	303-14A-00-9
Throttle Position Sensor (TPS), B8 .....	303-14B-00-10

Throttle Position Sensor (TPS), B8	303-14B-00-3
Throttle Position Sensor (TPS), B8	303-14B-00-9
Throttle Position Sensor (TPS), B8	303-14E-00-2
Throttle Position Sensor (TPS), B8	303-14G-00-2
Throttle Position Sensor (TPS), B8	303-14H-00-3
Throttle Position Sensor (TPS), B8	303-14L-00-2
Traction Control System (TCS) disable switch, N83	206-09B-00-3
Trailer socket, D41	417-01-00-41
Trailer socket, D41	417-01-00-42
Trailer tow control unit, A201	417-01-00-41
Trailer tow control unit, A201	417-01-00-42
Transmission hardware unit, A40	307-01-00-2
Transmission range sensor, B120	307-01-00-1
Transmission range sensor, B120	417-01-00-36
Transmission range sensor, B120	417-01-00-37
Transmission range sensor, B120	417-01-00-38
Transmission range sensor, B120	417-01-00-39
Transmission range sensor, B120	417-01-00-40
Transmission switch, N276	303-14F-00-14
Transmission switch, N276	303-14F-00-7
Transmission switch, N276	413-13-00-1
Transmission switch, N276	413-13-00-2
Transmission switch, N276	413-13-00-3
Transmission switch, N276	413-13-00-7
Transmission switch, N276	413-13-00-8
Transmission switch, N276	413-13-00-9
Transmission switch, N276	417-01-00-32
Transmission switch, N276	417-01-00-33
Transmission switch, N276	417-01-00-34
Transmission switch, N276	417-01-00-35
Trip computer module, A37	419-10-00-1
Turbine Shaft Speed (TSS) sensor, B44	307-01-00-1
Two-way washer pump motor, M74	501-16-00-2
Two-way washer pump motor, M74	501-16-00-4
Two-way washer pump motor, M74	501-16-00-6
Variable geometry turbo actuator, M253	303-14F-00-12
Vehicle Route Guidance/Navigation	419-07-00
Vehicle Speed Control	310-03-00
Vehicle speed sensor (VSS), B11	303-14A-00-3
Vehicle speed sensor (VSS), B11	303-14B-00-4
Vehicle speed sensor (VSS), B11	303-14C-00-2
Vehicle speed sensor (VSS), B11	303-14E-00-4
Vehicle speed sensor (VSS), B11	303-14F-00-11
Vehicle speed sensor (VSS), B11	303-14F-00-3
Vehicle speed sensor (VSS), B11	303-14G-00-3
Vehicle speed sensor (VSS), B11	303-14H-00-4
Vehicle speed sensor (VSS), B11	303-14L-00-3
Vehicle speed sensor (VSS), B11	310-03-00-1
Wheel speed sensor, LH side front, B15	206-09A-00-2

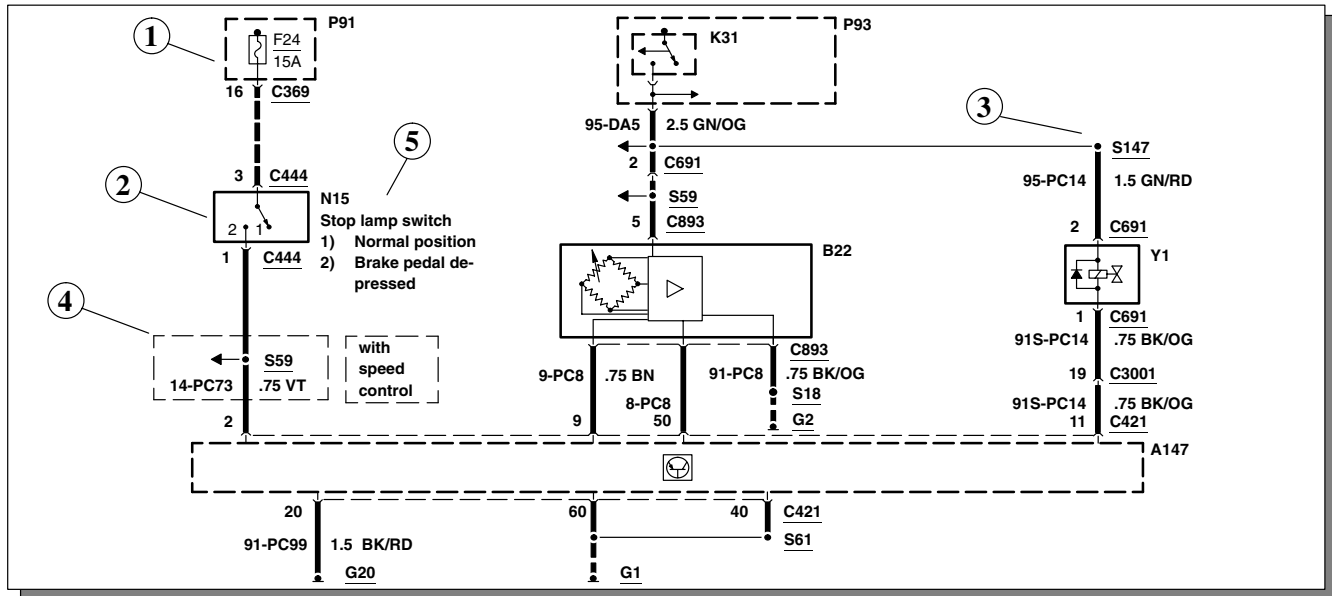
Wheel speed sensor, LH side front, B15 .....	206-09B-00-2
Wheel speed sensor, LH side front, B15 .....	206-09C-00-2
Wheel speed sensor, LH side rear, B17 .....	206-09A-00-2
Wheel speed sensor, LH side rear, B17 .....	206-09B-00-2
Wheel speed sensor, LH side rear, B17 .....	206-09C-00-2
Wheel speed sensor, RH side front, B14 .....	206-09A-00-2
Wheel speed sensor, RH side front, B14 .....	206-09B-00-2
Wheel speed sensor, RH side front, B14 .....	206-09C-00-2
Wheel speed sensor, RH side rear, B16 .....	206-09A-00-2
Wheel speed sensor, RH side rear, B16 .....	206-09B-00-2
Wheel speed sensor, RH side rear, B16 .....	206-09C-00-2
Window operating switch, driver side front (multiple), N300 .....	501-11-00-1
Window operating switch, driver side front (multiple), N300 .....	501-11-00-2
Window operating switch, driver side front (multiple), N300 .....	501-11-00-3
Window operating switch, driver side front (multiple), N300 .....	501-11-00-8
Window operating switch, LH side rear, N298 .....	501-11-00-10
Window operating switch, LH side rear, N298 .....	501-11-00-5
Window operating switch, passenger side front, N297 .....	501-11-00-1
Window operating switch, passenger side front, N297 .....	501-11-00-2
Window operating switch, passenger side front, N297 .....	501-11-00-4
Window operating switch, passenger side front, N297 .....	501-11-00-9
Window operating switch, RH side rear, N299 .....	501-11-00-11
Window operating switch, RH side rear, N299 .....	501-11-00-6
Window regulator motor, driver side front, M122 .....	501-11-00-1
Window regulator motor, driver side front, M122 .....	501-11-00-2
Window regulator motor, driver side front, M122 .....	501-11-00-3
Window regulator motor, driver side front, M122 .....	501-11-00-8
Window regulator motor, LH side rear, M132 .....	501-11-00-10
Window regulator motor, LH side rear, M132 .....	501-11-00-5
Window regulator motor, passenger side front, M123 .....	501-11-00-1
Window regulator motor, passenger side front, M123 .....	501-11-00-2
Window regulator motor, passenger side front, M123 .....	501-11-00-4
Window regulator motor, passenger side front, M123 .....	501-11-00-9
Window regulator motor, RH side rear, M133 .....	501-11-00-11
Window regulator motor, RH side rear, M133 .....	501-11-00-6
Windshield heater, LH side, R53 .....	501-11-00-13
Windshield heater, LH side, R53 .....	501-11-00-15
Windshield heater, RH side, R54 .....	501-11-00-13
Windshield heater, RH side, R54 .....	501-11-00-15
Windshield washer jet heater, LH side, R51 .....	501-16-00-7
Windshield washer jet heater, RH side, R52 .....	501-16-00-7
Windshield wiper motor, M111 .....	501-16-00-1
Windshield wiper motor, M111 .....	501-16-00-3
Windshield wiper relay, K162 .....	501-16-00-1
Windshield wiper relay, K162 .....	501-16-00-3
Wiper/washer switch, N104 .....	501-16-00-1
Wiper/washer switch, N104 .....	501-16-00-2
Wiper/washer switch, N104 .....	501-16-00-3
Wiper/washer switch, N104 .....	501-16-00-6

---

Wipers and Washers .....	501-16-00
Wire resistance, R68 .....	417-04-00-1
Wire resistance, R68 .....	700-02-00-29
Wire resistance, R68 .....	700-03-00-13
Wiring Harness Overview .....	100-00-06
Yaw rate acceleration sensor, B174 .....	206-09C-00-4

**Note**

All wiring connections between components are shown exactly as they exist in the vehicles. It is important to realise, however, that no attempt has been made on the schematic to represent components and wiring as they physically appear on the vehicle. For example, a 4-foot length of wire is treated no differently in a schematic from one which is only a few inches long. Furthermore, to aid in understanding electrical (electronic) operation, wiring inside complicated components has been simplified.



**Complete Circuit Operation**

Each circuit is shown completely and independently in one chapter or “cell”. Other components which are connected to the circuit may not be shown unless they influence the circuit operation.

**Current Flow (1)**

Each cell normally starts with the component that powers the circuit such as a fuse or the ignition switch. Current flow is shown from the power source at the top of the page to ground at the bottom of the page.

**Switch Positions (2)**

Within the schematic, all switches, sensors and relays are shown “at rest” (as if the ignition switch were OFF).

**Splices (3)**

An arrow indicates that the splice is not shown completely. The page where the splices appears in full is listed in the Index.

**Boxes (4)**

A thin dashed box on a schematic indicates a part of the circuit which is only present for a particular vehicle model, country, or option. These qualifiers will be shown next to the box on the schematic.

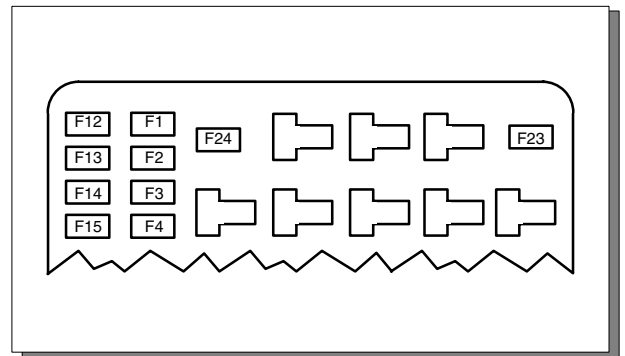
**Component Names and Notes (5)**

Component names are placed on the right hand side of each component. Any notes that describe switch positions or operating conditions follow the name. Descriptions of the internals of the component (e.g. “Speed sensor”) are also included here.



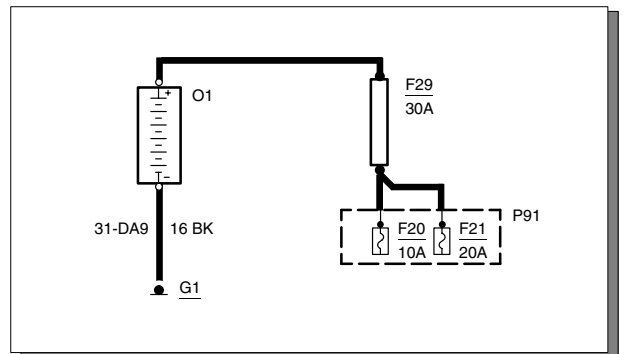
**Fuse and Relay Information**

The “Fuse and Relay Information” cell (700-01-00) contains a view of the Fuse-/Relay Box in which all fuses and relays are identified. Cell 700-01-00 also specifies in table format which circuits/systems are protected by each fuse.



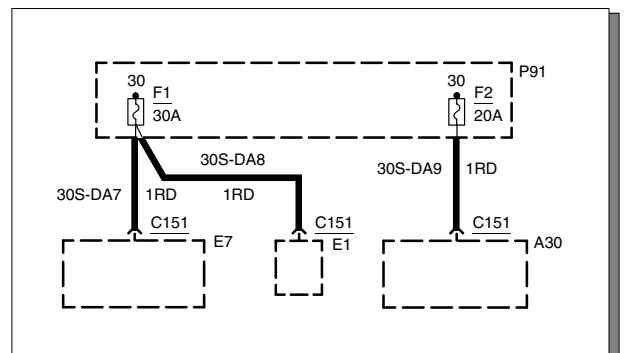
**Power Distribution**

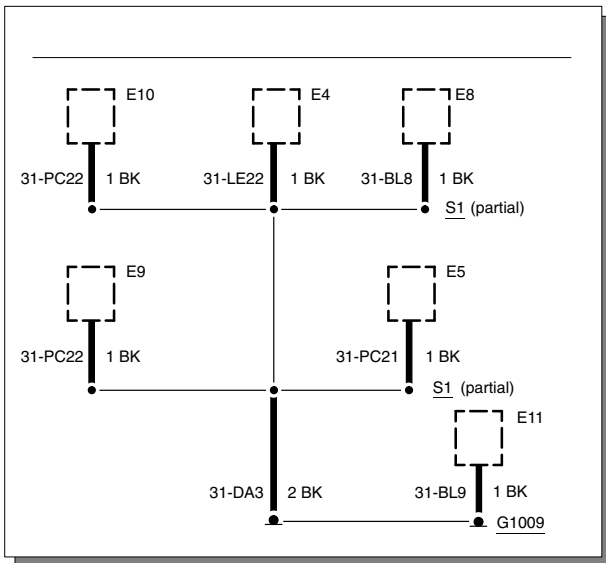
The “Power Distribution” cell (700-02-00) shows the current feed circuit. The current path is shown from the battery to the ignition switch and to all fuses.



**Fuse Details**

The “Fuse Details” cell (700-03-00) shows the circuits protected by each fuse. The circuit is traced from the fuse to the component. All details (wires, splices, connectors) between the fuse and the first component are shown.





**Ground Distribution**

Cell 700-04-00 contains the schematics that show the complete details for each ground connection or main ground splice. This is useful in diagnosing a problem affecting several components at once (poor ground connection or ground splice). All Details (wires, splices, connectors) between the ground point and the components are shown. These ground connection details are shown here in order to keep the individual cell schematics as uncluttered as possible.

Splices with a large number of wires may be split in order to improve the graphic representation. A thin line is then used to indicate the unity of the split splice.

**Component Identification Information**

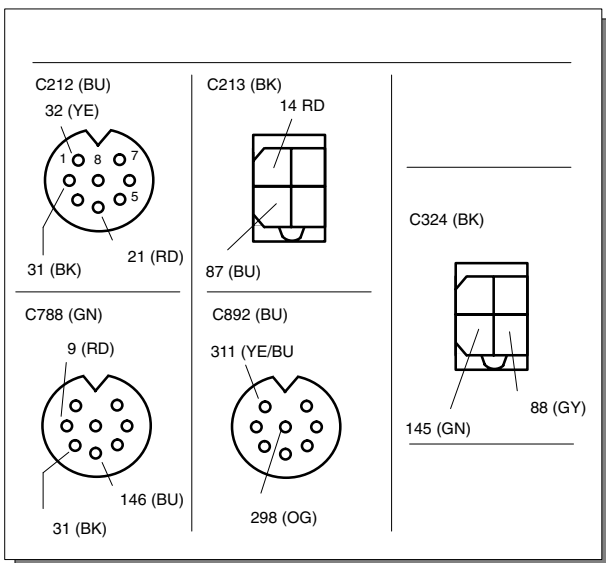
Component Identification Information begins in cell 700-06-00 and consists of

- (1) Component Location Chart (List),
- (2) Component Location Views, and
- (3) Connector Views (Faces).

The **Component Location Chart** helps the user find where the various items depicted on the schematic can physically be found on the vehicle. A brief written description of the location is given, along with a reference to the component location views.

The **Component Location Views** show the components and their connecting wires as they can be found on the vehicle.

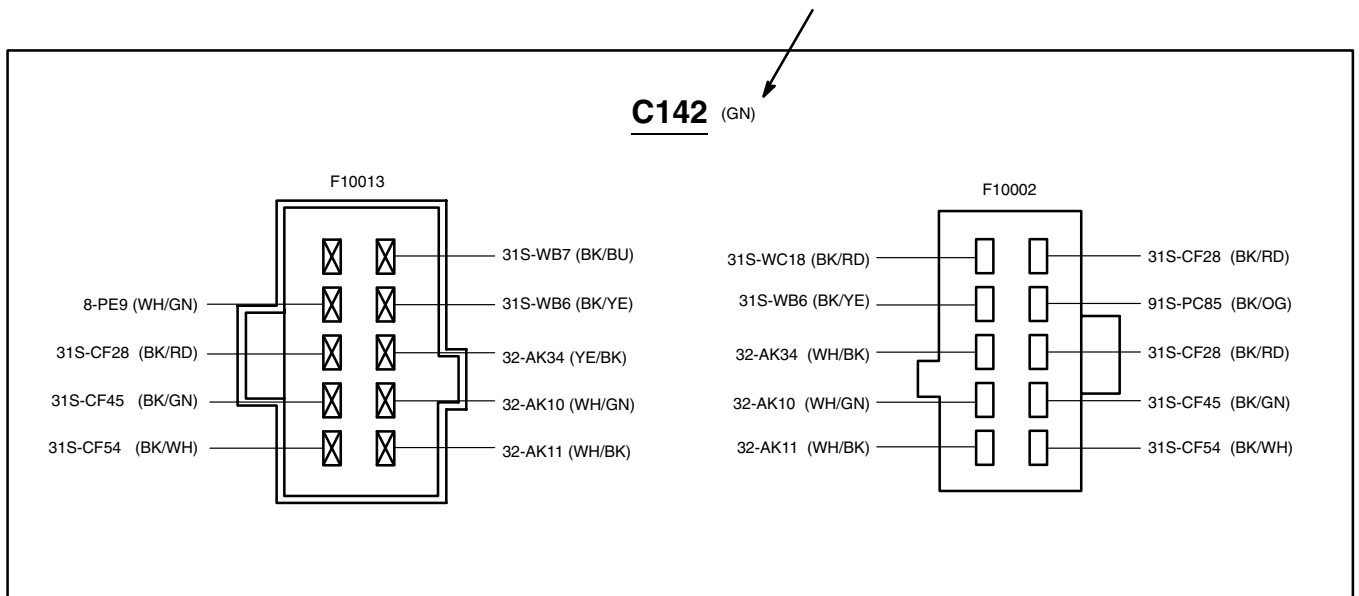
The **Connector Views** show the cavity or pin locations of all connectors. They are shown as they would appear to a user probing the wires with the connector disconnected.



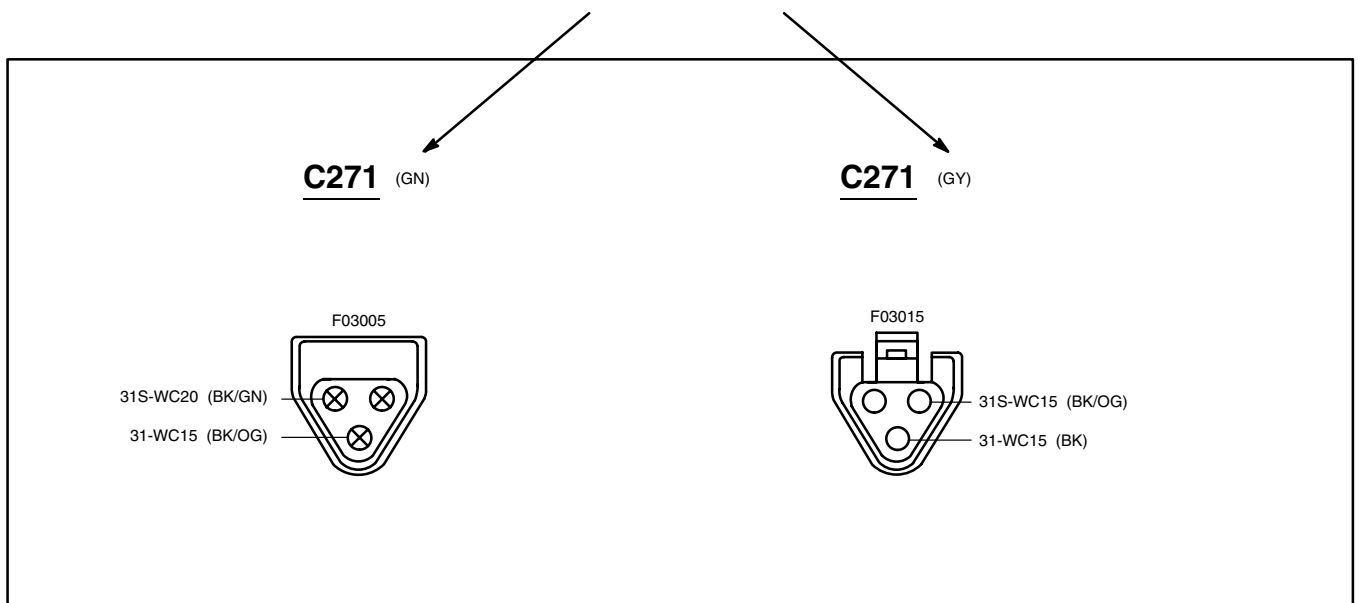
**Note:**

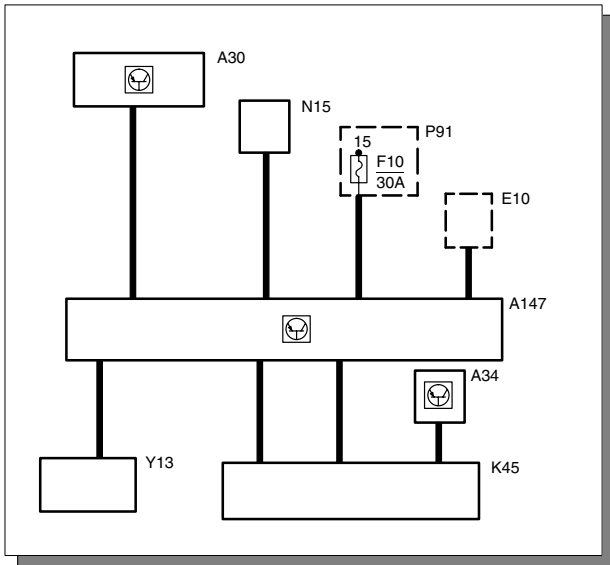
Connector colours are portrayed in the following manner:

when both sides of the connector have the same colour



when the male and female sides of the connector have different colours





**Block Diagrams**

Block diagrams can be found at the beginning of some cells. These diagrams provide an overview of the systems detailed on the pages that follow them. All components connected to the control module are shown in order to provide easy understanding of the system component interactions.

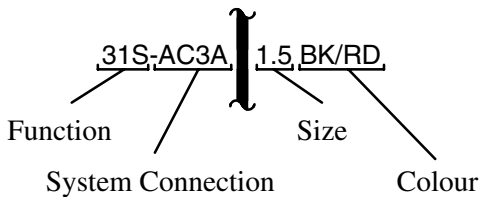
**Circuit Numbering and Wire Identification**

**Circuit Numbering:**

Ford has introduced a world-wide uniform system for circuit numbering and wire identification. The system is called Function - System Connection, or FSC for short.

FSC was developed mainly to assist in vehicle development and production processes, but is also helpful in helping the technician troubleshoot electrical circuits.

Example:



Function:

The first two digits identify the function of the wire. In this case, the function code includes the letter “S” to indicate it is an additionally switched function. The function part of the circuit number is the most helpful to the technician in troubleshooting a circuit. The function codes are based on some DIN designations used previously, with new numbers added for overload-protected functions, sensor functions, data links and special electronic module functions. A complete list of function codes and their descriptions is included in cell 100-00-04 “Symbols”.

System Connection (including branch):

Systems are related to subsets of the vehicle circuitry. A complete list of the system codes can be found in cell 100-00-04 “Symbols”.

Immediately following the system letter code is the connection number specific to that system. A branch identification is used to differentiate wires in one connection with the same function.

**Wire Identification (wire colours):**

The wire identification consists of a basic colour and an identification colour, and is determined directly from the wire's circuit number. In the wiring diagrams the wire colours will be located separately next to the wires as before.

The basic and identification colours are abbreviated using the international norm IEC 757. The abbreviations are listed in cell 100-00-04 "Symbols".

Each function code has a specific basic colour associated with it which can also be seen in the chart of function codes in cell 100-00-04 "Symbols". The identification colour is a coloured stripe used to differentiate several wires with the same function within one component connector.

One essential difference from the previous wire colouring system is the change of some of the basic wire colours. Ground circuits, previously assigned the basic colour brown (BN) are now black (BK).

Using the circuit number and wire identification used in the above example we know the following information about the wire.

31S-KA3A | 1.5 BK/RD

Function: 31 = Ground  
S = Additionally switched circuit

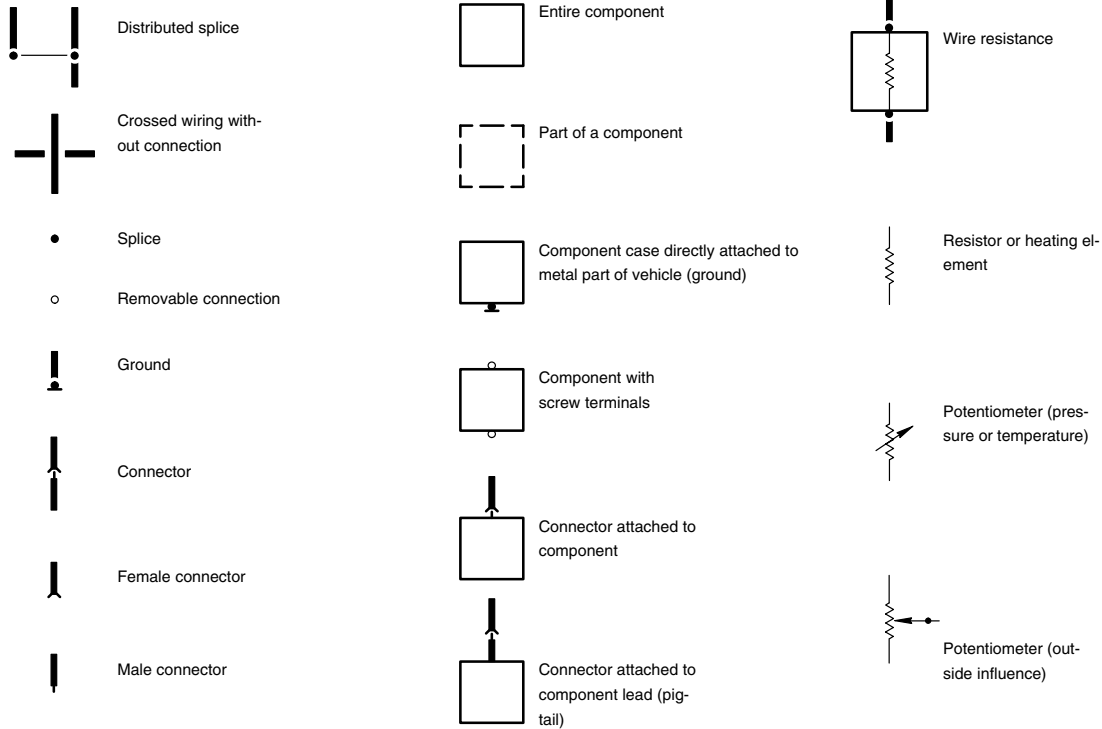
System: KA = Wiper / Washer

Connection: 3 = Switch connection  
A = Branch

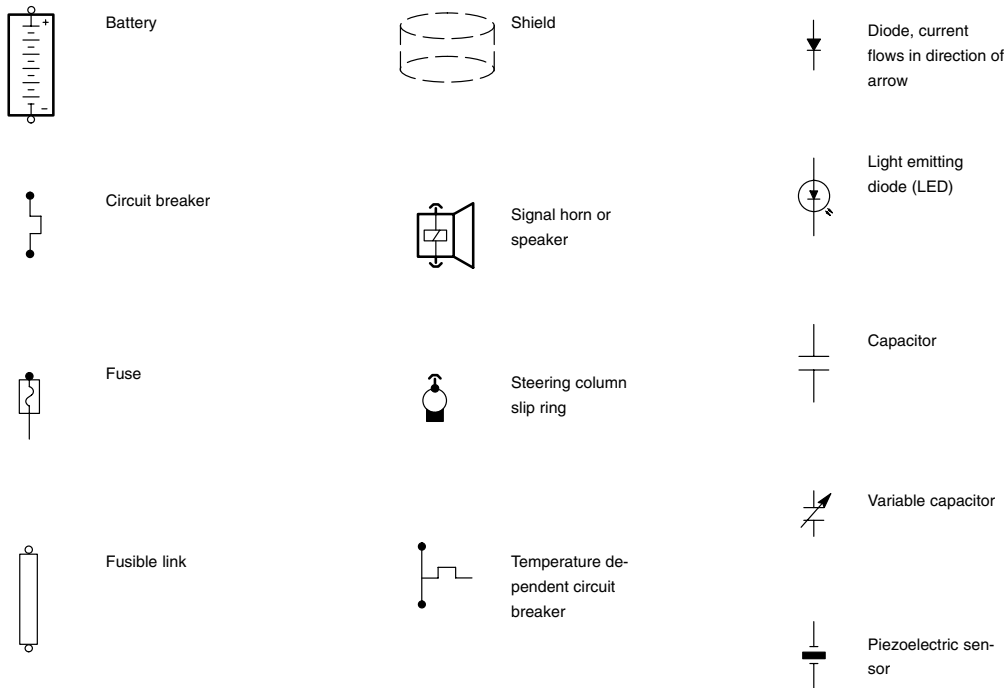
Size: 1.5 = 1.5 mm<sup>2</sup>

Colour: BK = Basic colour black  
(determined by function 31)  
RD = Identification colour red  
(red stripe)

-1



-2





Coil



Bifilament lamp



Hall sensor



Solenoid controlled valve or clutch solenoid



High beam symbol



Clock spring



Transistor



Rear fog lamp symbol



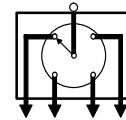
Buzzer



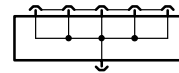
Lamp



Front fog lamp symbol



Distributor



Shorting bar connector



Heating element  
Conductor loop



Gauges



Permanent magnet, one-speed-motor



Fuel sender



Antenna



Permanent magnet, two-speed-motor



Thermal timer relay



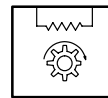
Ignition coil assembly



Direction indicator symbol



AC voltage



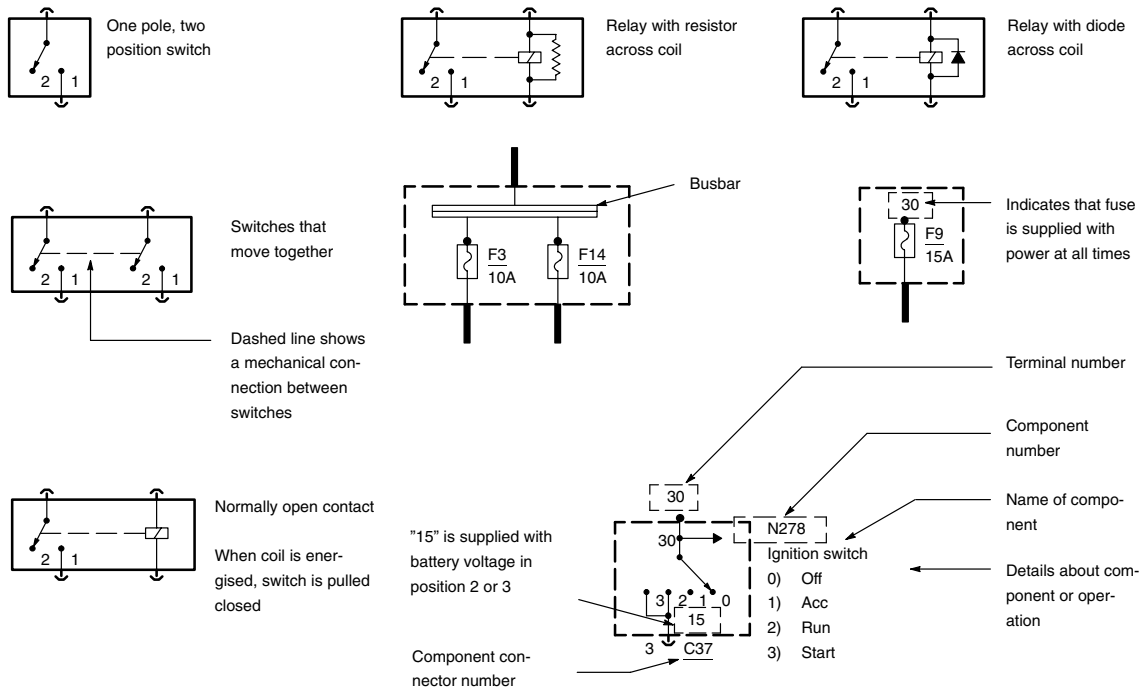
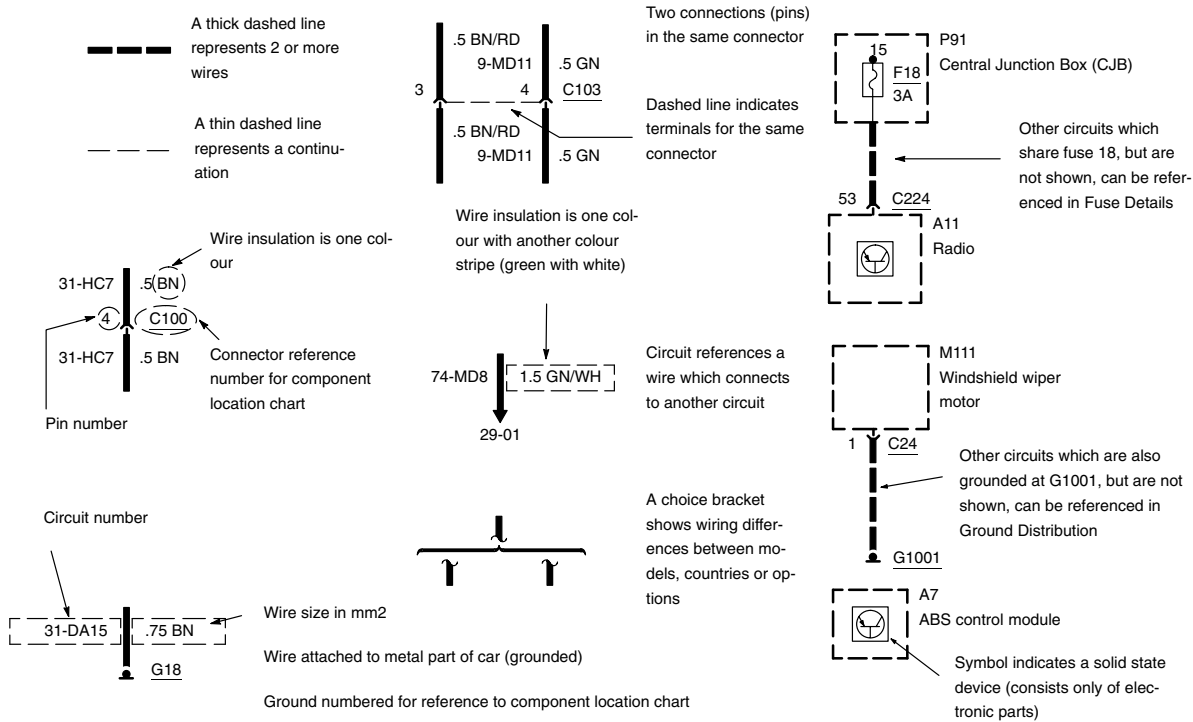
ABS wheel sensor



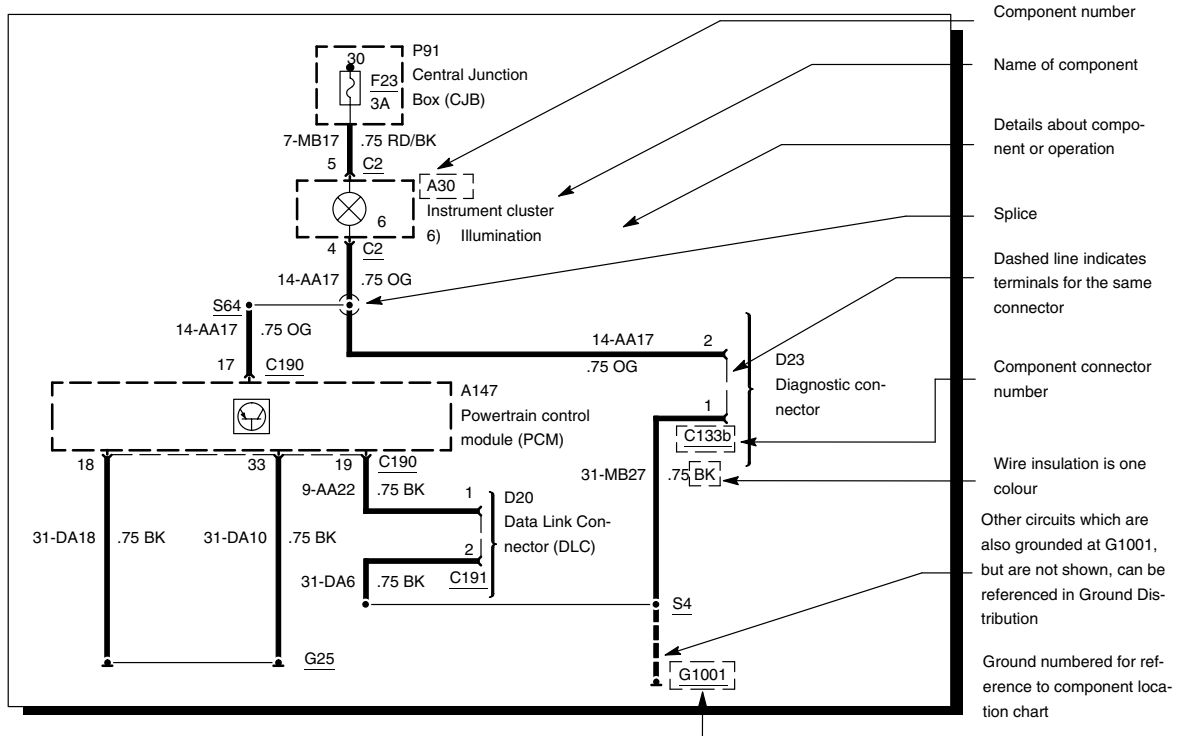
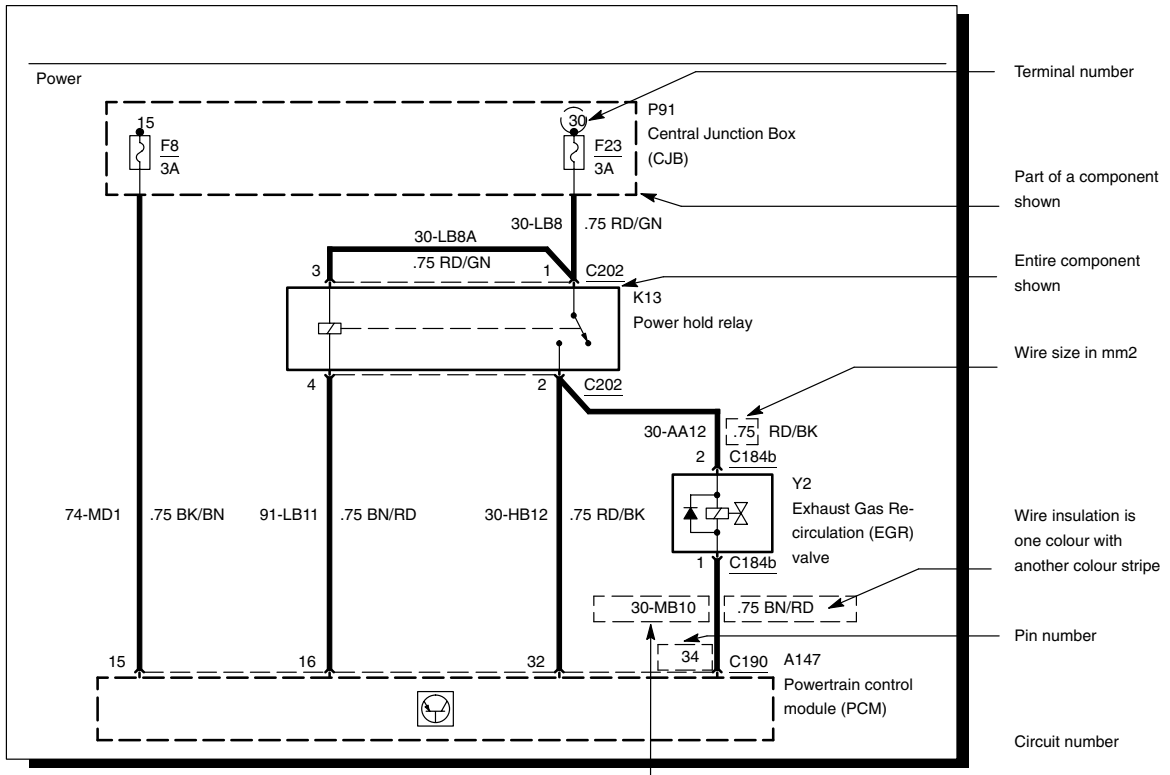
Filter



Busbar







-9

Number	Description	Basic colour
7	DC voltage supplied at all times (sensor)	YE
8	Sensor signal	WH
9	Sensor signal return (reference/ground)	BN
14	Voltage supplied in Start and Run (overload protected)	VT
15	Voltage, ignition switch in Start or Run (not overload protected)	GN
29	Voltage supplied at all times (overload protected)	OG

Number	Description	Basic colour
30	Voltage supplied at all times (not overload protected)	RD
31	Ground	BK
49	Pulsed power feed (overload protected)	BU
50	Voltage, ignition switch in Start (not overload protected)	GY
59	AC Power	GY
63	Variable DC voltage (overload protected)	WH

-10

Number	Description	Basic colour
64	Variable DC voltage (not overload protected)	BU
74	Voltage in Run or Accessory (overload protected)	BU
75	Voltage: Ignition switch in Accessory or Run	YE
89	Voltage supplied at all times (overload protected electronic module)	OG
90	Voltage supplied at all times (not overload protected electronic module)	RD

Number	Description	Basic colour
91	Ground	BK
94	Voltage, ignition switch in Start or Run (overload protected electronic module)	VT
95	Voltage, ignition switch in Start or Run (not overload protected electronic module)	GN

## System Codes

-11

**Distribution Systems**

DA:	Splices distribution
DB:	Busbars
DC:	Circuit protection – Battery Junction Box (BJB)
DD:	Circuit protection – Central Junction Box (CJB)
DE:	Ground
DF:	Junction block
DG:	Circuit protection – Auxiliary fuse box
DH:	Distribution – Auxiliary fuse box
DJ:	Auxiliary distribution
DK:	Integrated components

**Data Bus Systems**

EA:	ACP Bus
EB:	ALT Bus
EC:	CAN Bus
ED:	DCL Bus
EE:	ISO Bus
EG:	SCP Bus

**Power Convenience Systems**

AA:	Door locks and decklid (including: keyless entry/global closing)
AD:	Power mirrors
AG:	Power roof
AH:	Power seats
AJ:	Power windows
AL:	Power steering column
AM:	Power doors

**Basic Systems**

BA:	Charge (including: ammeter/voltmeter)
BB:	Start

**Chassis Systems**

CC:	Ride suspension
CD:	Suspension (air/self-levelling)
CE:	Power steering (variable automatic power assist)
CF:	Anti-lock brakes/traction control
CG:	Brakes (engine/exhaust/jake)

**Climate Systems**

FA:	Climate 1
FB:	Climate 2
FC:	Climate, auxiliary heater

**Information and Warning Systems**

GA:	Gauges – level/pressure/temperature
GB:	Gauges miscellaneous (including: speedometer/clock)
GC:	Indicator – level/pressure/temperature
GE:	Auxiliary warning/bulb outage
GG:	Instrument cluster
GH:	Trip computer
GJ:	Horn
GK:	Navigation
GL:	Anti-theft
GM:	Audio warning (including: buzzers/chimes)
GN:	Parking aid
GP:	Vehicle emergency monitoring

**Heated Systems**

HA:	Auxiliary (including: air/filter/lighter)
HB:	De-ice (including: mirrors/washer jets/windows)
HC:	Heated seats

**Occupant Restraint Systems**

JA:	Air Bags
-----	----------

**Wiper and Washer Systems**

KA:	Wiper/washer
-----	--------------

**Lighting Systems**

LB:	Courtesy (glove box/hood/luggage comp./map/recharg. flashlight/vanity)
LC:	Entry (including: dome/floor/door)
LD:	Fog/flood/driving
LE:	Head (including: concealed/dim-dip/daytime running)
LF:	Parking/marker/licence/clearance
LG:	Direction indicator/cornering/hazard/stop/reverse
LH:	Switch illumination
LK:	Instrument illumination

**Entertainment and Communication Systems**

MC:	Communication
MD:	Entertainment

**Special Vehicles (unique)**

NA:	Ambulance
NB:	Police
NC:	Taxi
ND:	Trailer

**Powertrain Control Systems**

PA:	Engine control (common, cooling and extra carbureted)
PG:	Vehicle speed and engine RPM

## System Codes

-12

**Powertrain Engine Control Gas/Diesel Connections**

RA:	Connectors
RB:	Destination notes
RD:	Diodes, fuses, indicators, resistors, heaters
RE:	Modules, controllers
RG:	Motors
RH:	Relays
RJ:	Sensors
RL:	Solenoids
RN:	Splices / Busbars
RP:	Switches
RR:	Transformers
RS:	Units

**Powertrain Transmission Control Systems**

TA:	Transmission control
TC:	Automatic Clutch
TD:	Axle/differential
XL:	Temporary numbering for future features

## Country codes

(A)	Austria	(IS)	Iceland
(B)	Belgium	(N)	Norway
(CH)	Switzerland	(NL)	Netherlands
(CZ)	Czech Republic	(P)	Portugal
(D)	Germany	(S)	Sweden
(DK)	Denmark	(FIN)	Finland
(E)	Spain	(LHD)	Left-hand-drive vehicles
(F)	France	(RHD)	Right-hand-drive vehicles
(GR)	Greece		
(H)	Hungary		
(I)	Italy		

Wire colours	
BK	Black
BN	Brown
BU	Blue
GN	Green
GY	Grey
LG	Light green
NA	Natural
OG	Orange
PK	Pink
RD	Red
SR	Silver
VT	Violet
WH	White
YE	Yellow



A large proportion of the plugs in the electrical systems of this vehicle are new generation plugs first introduced on the Fiesta '89 and since then progressively brought into use on other vehicles. These plugs not only provide a very reliable contact, they are also easy to repair.

A wiring loom repair kit is available for such repairs. This allowed individual replacement of single connectors. The repair kit includes the required replacement connectors, the tools needed for assembly and an illustration of the most important repair procedures.

Special tools may be ordered from OTC Europe or their agents/distributors. In case of difficulty they may be obtained from:

Löwener OTC Tool GmbH  
 Industriestr. 67  
 D-40764 Langenfeld  
 Tel.: (0)2173-928-0  
 Fax: (0)2173-928-199

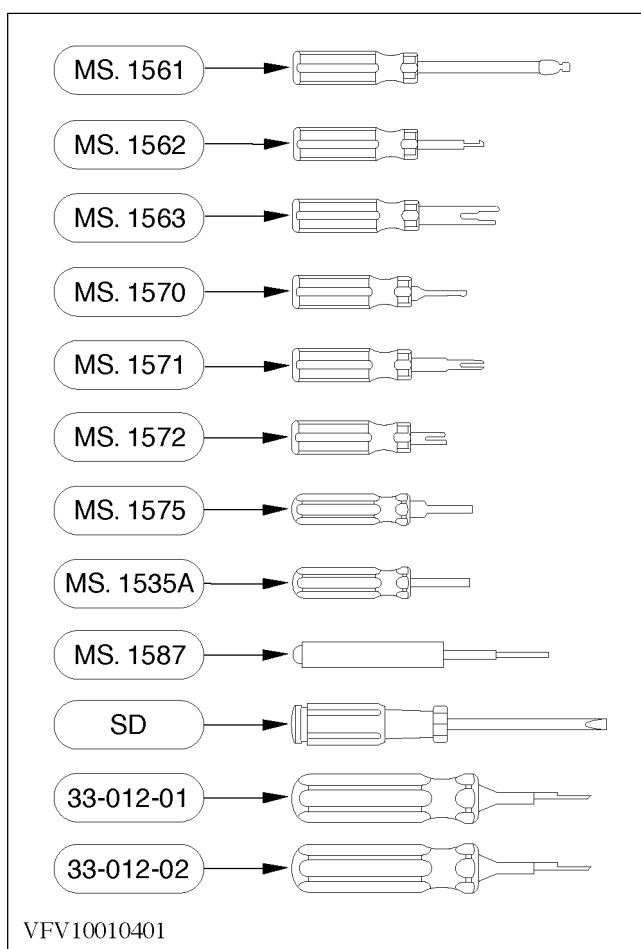
### Plug Repairs Using the Wiring Loom Repair Kit

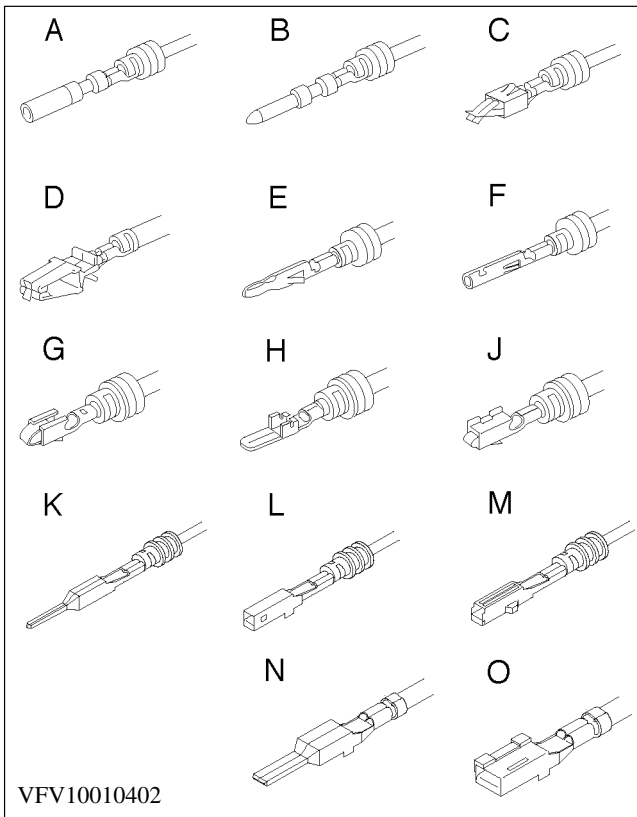
Do not use excessive force while repairing plugs. When inserting the replacement terminals listen or feel for the "click" to make sure that the terminal engages correctly.

### Special Tools

(Included in the wiring loom repair kit or Special Service Tool Kit)

MS. 1561	=	Extractor
MS. 1562	=	Extractor
MS. 1563	=	Releasing tool I
MS. 1570	=	Extractor
MS. 1571	=	Releasing tool II
MS. 1572	=	Releasing tool III
SD	=	Screwdriver
MS. 1535A	=	Releasing tool IV
MS. 1575	=	Releasing tool V
MS. 1587	=	Releasing tool VI
33-012-01	=	Extractor
33-012-02	=	Extractor

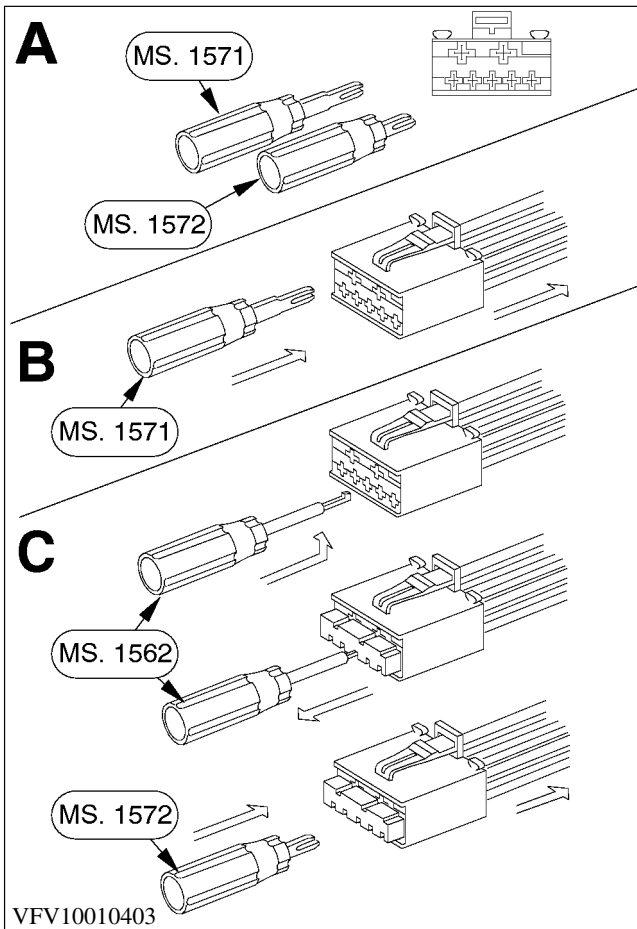




**Available Individual Connectors**  
(Included in the wiring loom repair kit)

- A = Socket terminal
- B = Pin
- C = DFK flat-pin terminal
- D = ESPA DFK-1 flat-pin terminal
- E = Pin terminal
- F = Socket terminal
- G = Flat socket terminal
- H = Flat pin terminal
- J = Socket terminal
- K = Pin terminal
- L = Socket terminal
- M = Socket terminal
- N = Pin terminal
- O = Socket terminal

These connectors are already provided with cable terminations of different cross sections. The repair kit also includes various crimp-on sleeves for connection to the loom cable.

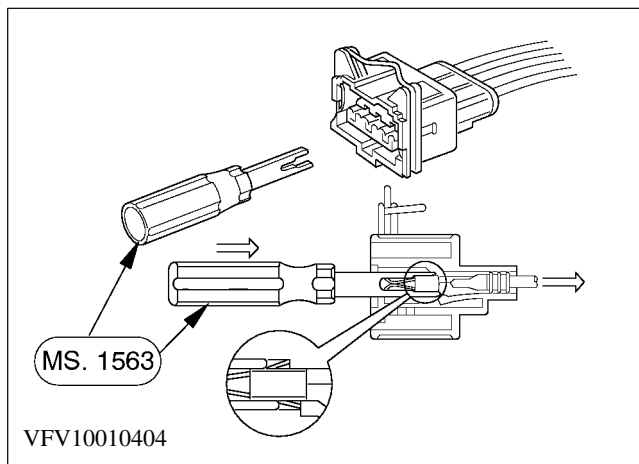


**Dismantling Double-Row Multiplugs**

**Note:** Two different releasing tools are used (A):  
 - MS. 1571 with two legs of equal length  
 - MS. 1572 with two legs of different lengths

To remove the larger (upper) flat-pin terminal, insert releasing tool MS. 1571 and press the flat-pin terminal out towards the rear (B).

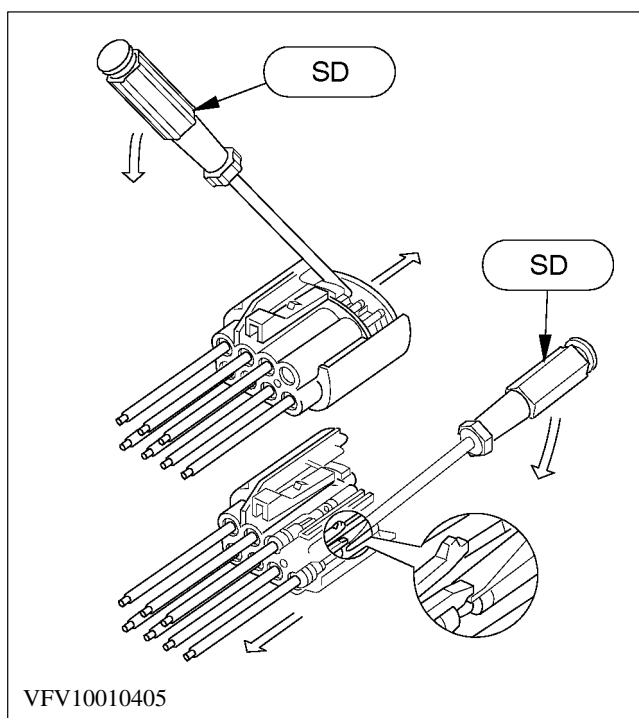
To remove the smaller (lower) flat-pin terminals, first pull out the unlocking device as far as the first stop using extractor MS. 1562 (C). Then insert releasing tool MS. 1572 with the longer leg adjacent to the red locking device and press the small flat-pin terminal out to the rear (C). Insert the replacement terminal and then engage the locking device fully again.



### Dismantling Type DFK Multiplugs

Insert releasing tool MS. 1563 with the longer leg adjacent to the red locking device and press the DFK flat-pin terminal out.

When inserting the replacement terminal, make sure that it engages correctly.



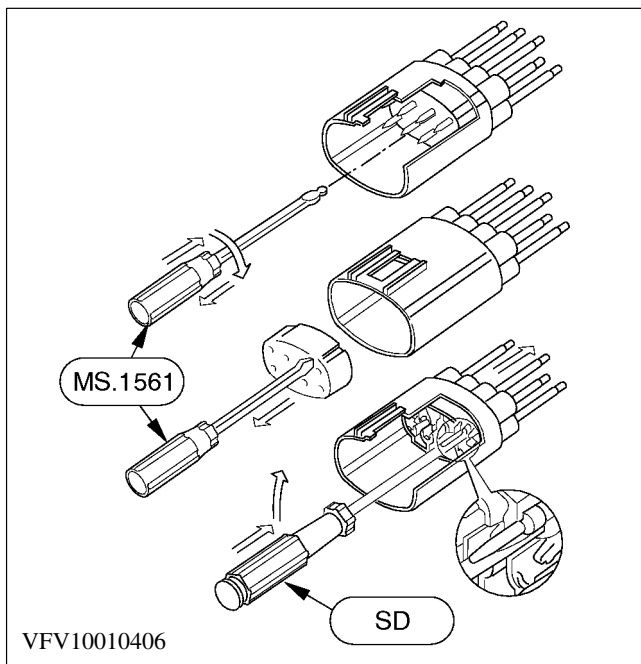
### Dismantling Oval Plugs

a) Pin side

Pry out the cover using screwdriver SD. Then lift the locking device of the pin in question and pull out the pin at the end of the cable.

When inserting the replacement pin, make sure that it engages correctly.

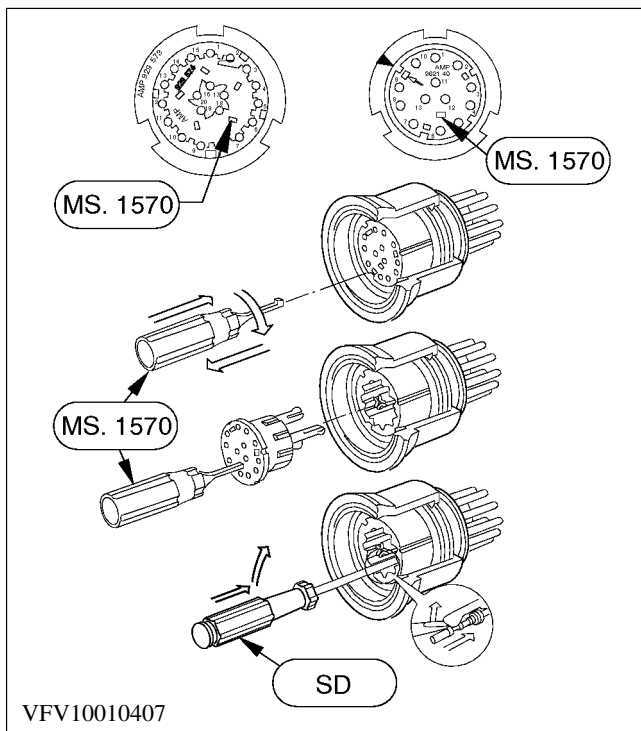




## b) Socket side

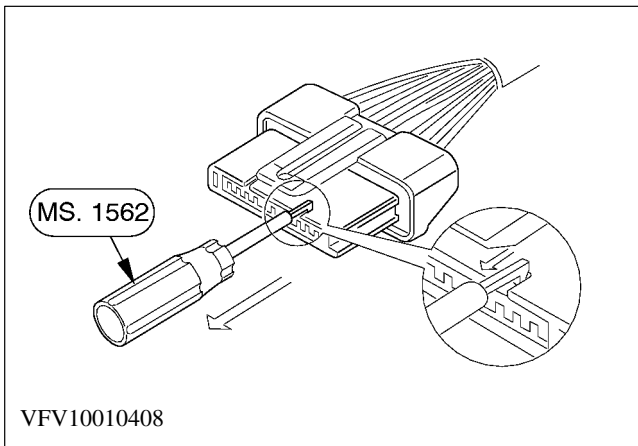
Remove the locking cap completely using extractor MS. 1561. Then lift the locking device with screwdriver SD and pull out the socket terminal at the end of the cable.

When inserting the replacement socket terminal, make sure that it engages correctly.

**Dismantling Round Plugs**

Insert extractor MS. 1570 in one of the rectangular openings, turn through 90° and pull out the red locking device completely. Then lift the locking tab of the pin or sleeve-type terminal in question slightly with screwdriver SD and pull out the terminal on the cable.

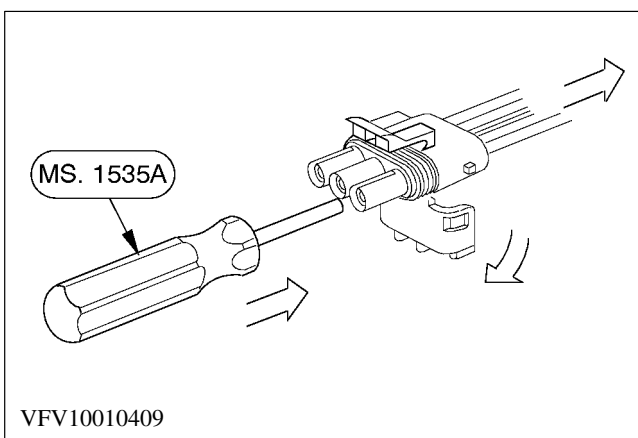
When inserting the replacement terminal, make sure that the terminal and red locking device engage fully.



### Dismantling Single-Row Multiplugs

Pull the locking device towards the front using extractor MS. 1562 (to disengage it). Then pull out the single terminal in question on its cable towards the rear.

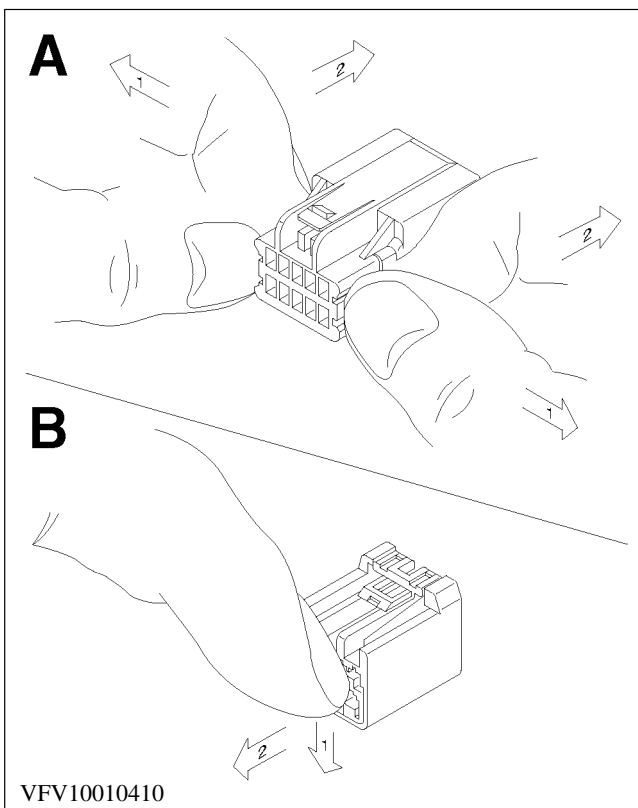
The locking device must engage correctly after insertion of the replacement terminal.



### Dismantling 3-Pin Plugs

Open the locking device. Then press in the pin in question - as shown - with the available releasing tool MS. 1535A and pull out the cable towards the rear.

When inserting the replacement terminal, listen or feel for the “click” to make sure that the pin and locking device engage correctly.



### Dismantling Unsealed Connectors

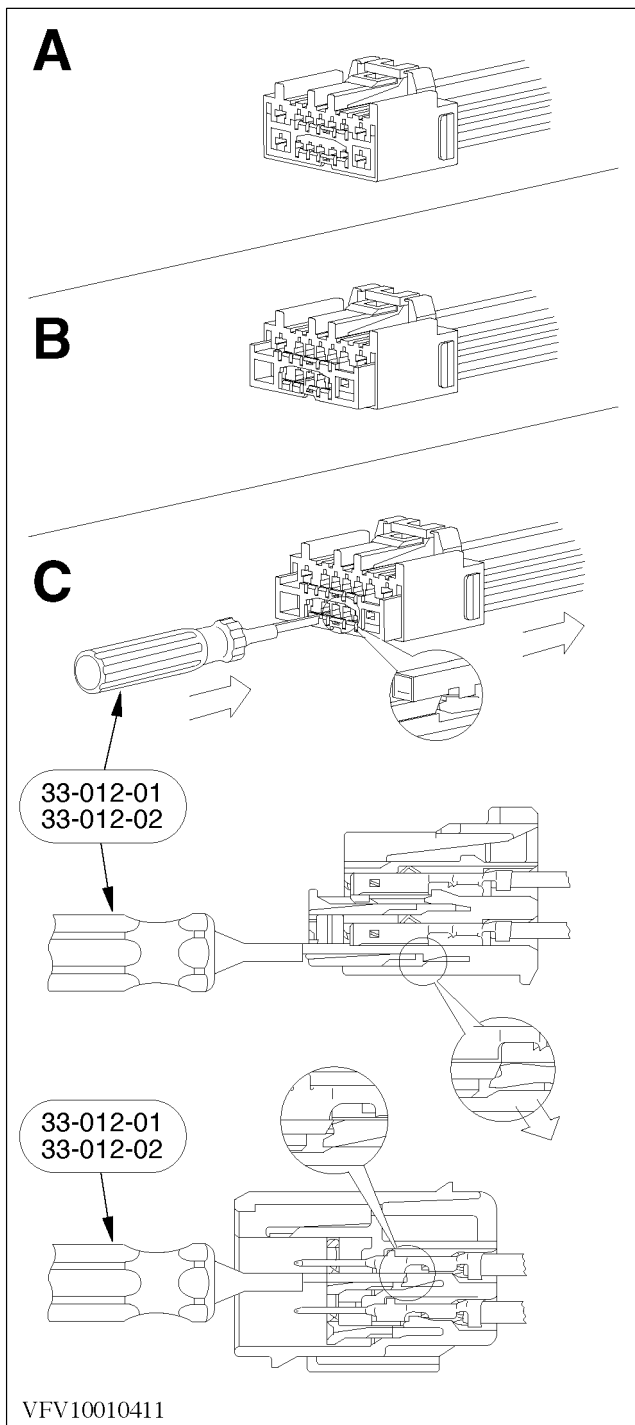
**A:** Disengagement of spacer from the full-lock position (male)

Release the locks holding the spacer in the full-lock position by deflecting the operating arms outward. With the operating arms deflected, push the spacer to the pre-set position.

**B:** Disengagement of spacer from the full-lock position (female)

Release the lock holding the spacer in the full-lock position by deflecting the operating arm downward. With the operating arm deflected, pull the spacer to the pre-set position.

The illustration shows the spacer being moved from the full-lock position to the pre-set position.



### Dismantling Unsealed Connectors

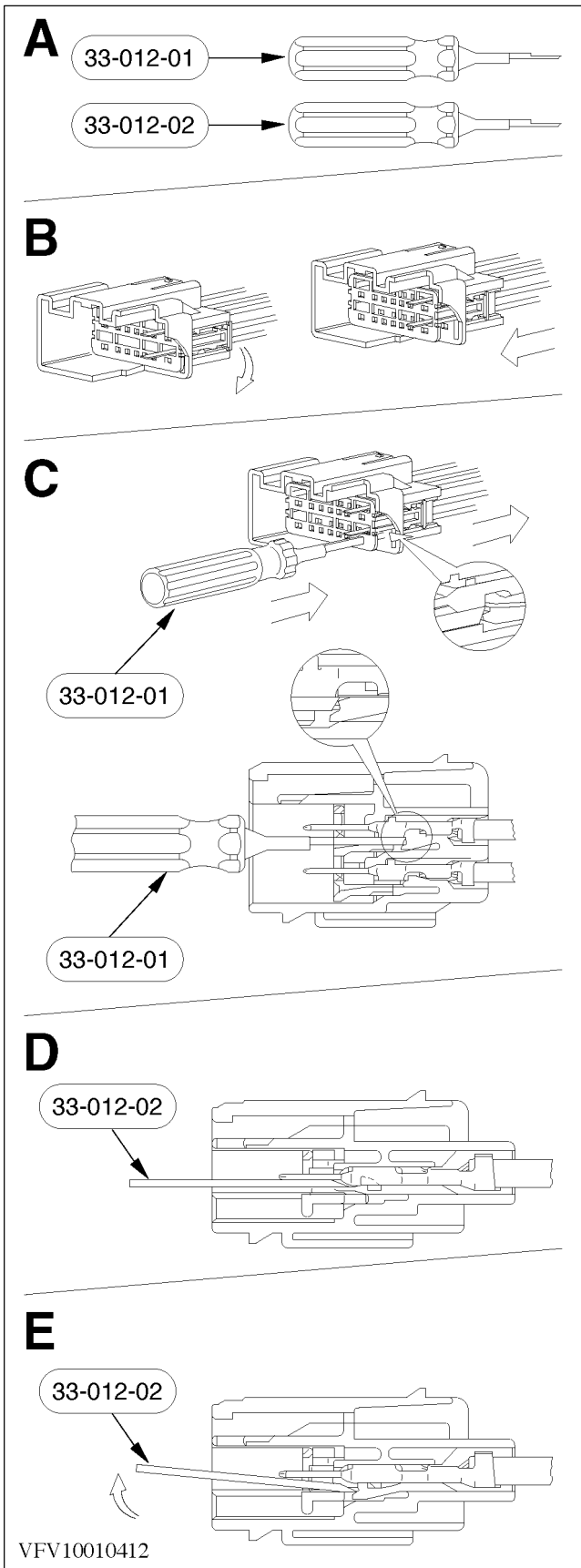
**Note:** Spacer in full-lock position (A). To remove the pins pull the spacer to the pre-set position (B) as described in figure VFV10010410.

Push the applicable wire lightly to assure the terminal is fully forward in the terminal cavity.

Insert extractor 33-012-01 or 33-012-02 into the face of the terminal cavity. The tip of the tool must be positioned between the servicing tab of the flexible arm and the terminal.

Push the tool forward, automatically lifting the flexible arm. Utilisation of alternate tools will require the operator to manually deflect the flexible arm.

With the flexible arm deflected, pull the wire to remove the terminal from the cavity. If the terminal does not disengage easily from the housing, repeat the steps previously outlined.

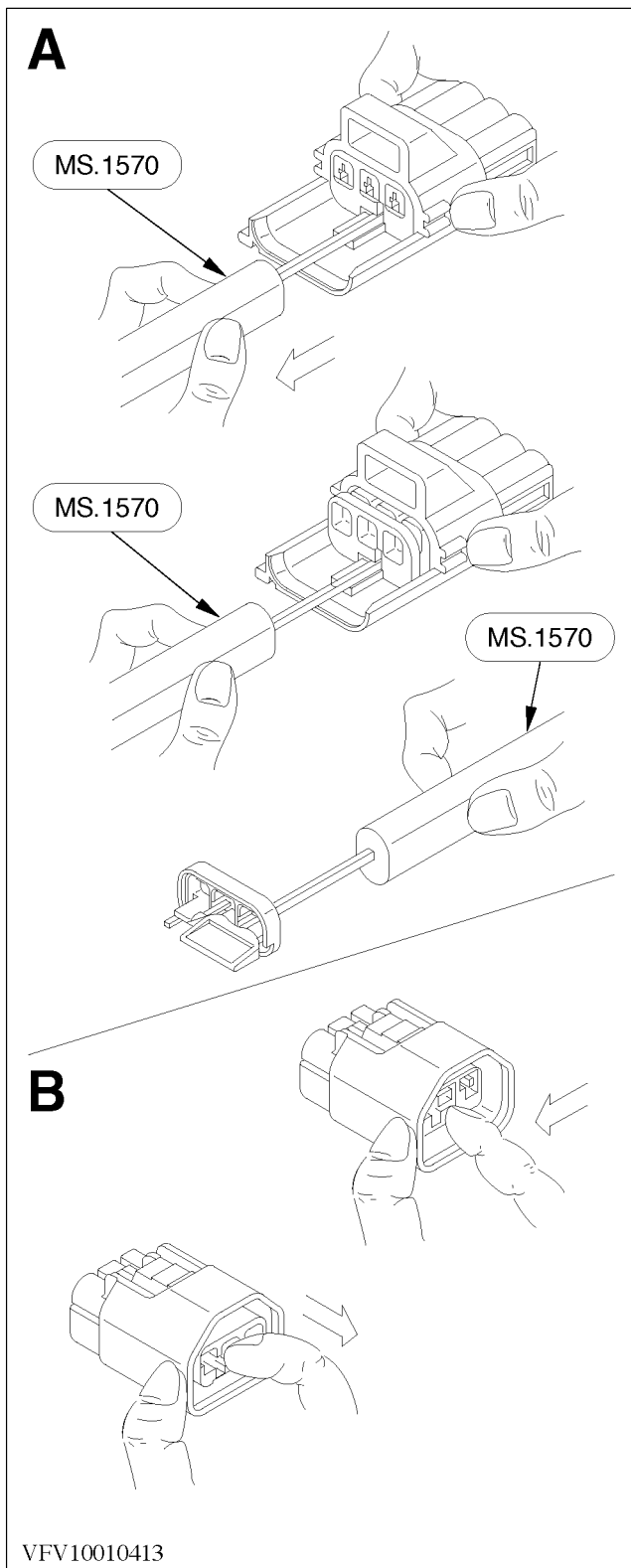


### Dismantling Hybrid-Connectors

**Note:** Two different releasing tools are used (A). To remove the pins pull the spacer to the pre-set position (B) as described in figure VFV10010410.

To remove the smaller flat-pin terminals, push the wire lightly in the direction of the terminal insertion. After assuring the orientation of the removal tool insert extractor 33-012-01 (C) between the terminal and the elastic arm along the guiding hole of the front holder. Push the extractor lightly. The lock between the beak and the hook will be released. Then pull the wire lightly from the housing.

To remove the larger flat-pin terminals, push the wire lightly in the direction of the terminal insertion. After assuring the orientation of the removal tool insert extractor 33-012-02 (D) between the terminal and the elastic arm along the guiding hole of the front holder. The lock between the beak and the hook is released by lifting extractor 33-012-02 (E). Then pull the wire lightly from the housing.



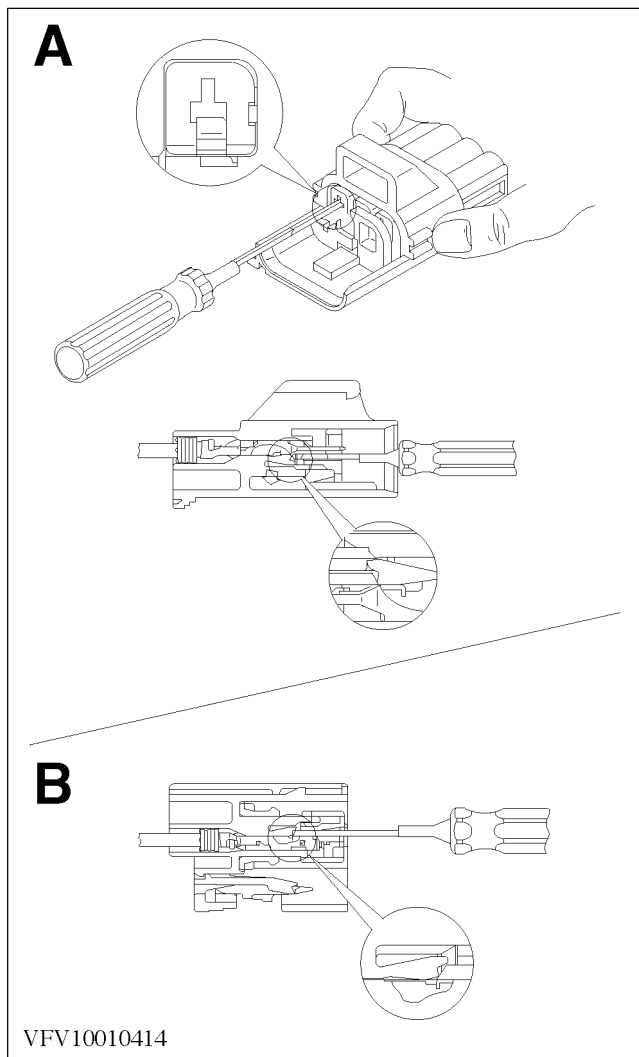
### Dismantling Sealed Connectors

**A:** Disengagement of front holder from the full-lock position (male)

Insert hook tool MS. 1570 into the slot provided. A slight pull of hook tool MS. 1570 in the direction of the arrow will release the spacer for terminal removal.

**B:** Disengagement of spacer from the full-lock position (female)

Release the lock holding the spacer in the full-lock position by deflecting the operating arm from right to left. With the operating arm deflected, pull the spacer to the pre-set position.



### Dismantling Sealed Connectors

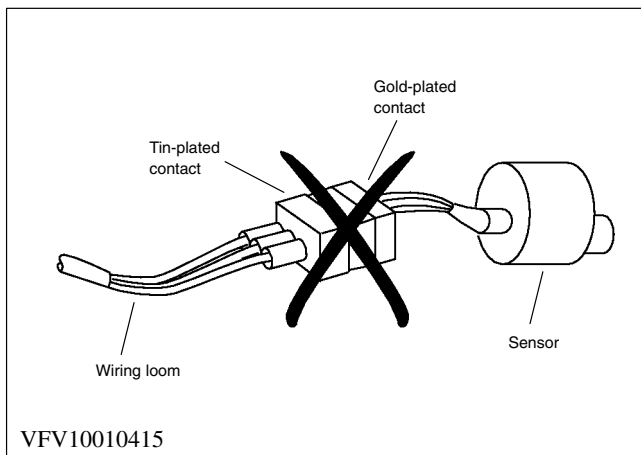
**Note:** Disengage the front holder and/or spacer as described in figure VFV10010413.

Push the applicable wire lightly to assure the terminal is fully forward in the terminal cavity.

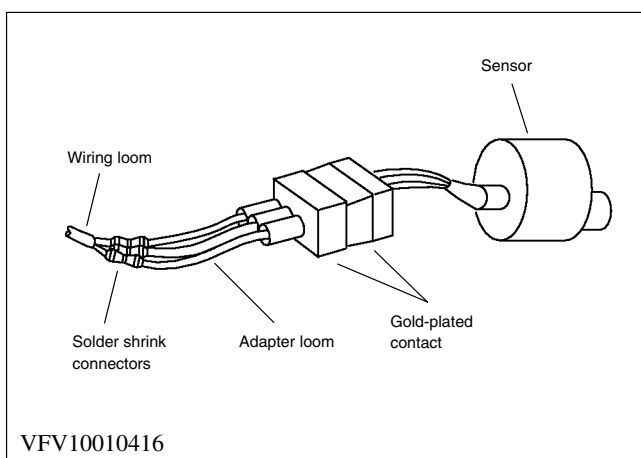
Insert extractor 33-012-01 or 33-012-02 into the face of the terminal cavity as shown for male terminal. The tip of the tool must be positioned between the servicing tab of the flexible arm and the terminal.

Push the extractor forward, automatically lifting the flexible arm. Utilisation of alternate extractors will require the operator to manually deflect the flexible arm.

With the flexible arm deflected, pull the wire to remove the terminal from the cavity. If the terminal does not disengage easily from the housing, repeat the steps previously outlined.



VFV10010415



VFV10010416

### Gold-plated contacts

Servicing sensors and connectors with gold-plated contacts for engine control systems

Connectors with gold-plated contacts have been introduced at various critical connections (current less than 1 mA, voltage under 5 V) in the engine control systems. Gold-plated contacts have significantly less resistance than the tin-plated contacts which have been used previously. Uninterrupted, interference-free signal transmission to the engine control unit can thus be guaranteed.

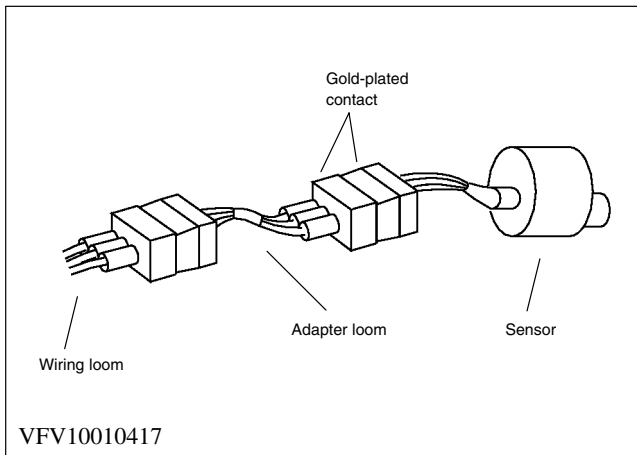
**Note:** Gold-plated contacts must never be connected with tin-plated contacts (figure VFV10010415). Not only can the gold plating be damaged, but the resulting resistance is much higher than either a gold-gold connection or a tin-tin connection.

The contacts which are needed to repair the gold-plated connections can be obtained as an addition to the wiring loom repair kit from Löwener. The addition to the kit includes gold-plated contacts with white pigtails and a tube of special grease. Connectors with gold-plated contacts are protected by a special grease which is applied during production and therefore must never be treated with lithium grease.

If a connector or a sensor needs to be replaced, the new replacement may include gold-plated contacts.

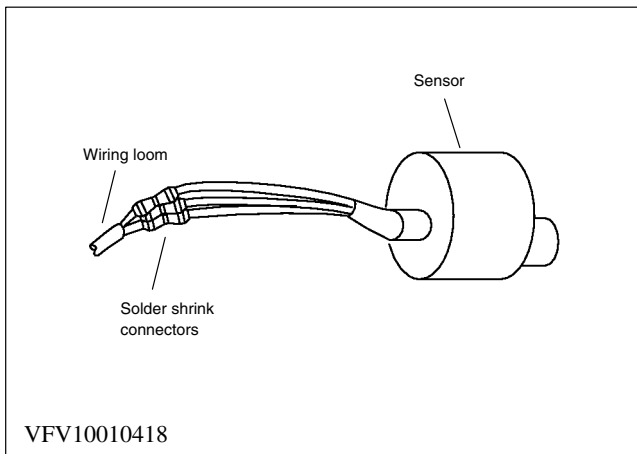
Sensors with gold-plated contacts must only be replaced with those which also have gold-plated contacts.

If a sensor with tin-plated contacts is to be replaced with a new sensor with gold-plated contacts, a special adapter loom must be used (figure VFV10010416). The same applies to replacement wiring looms with gold-plated contacts which are being connected to sensors with tin-plated contacts.



The adapter loom for the throttle position sensor (TPS) and the camshaft position sensor must be attached with solder shrink connectors (figure VFFV10010416). The adapter loom for the crankshaft position sensor has a connector at both ends and only needs to be plugged in between the sensor and the wiring loom (figure VFFV10010417).

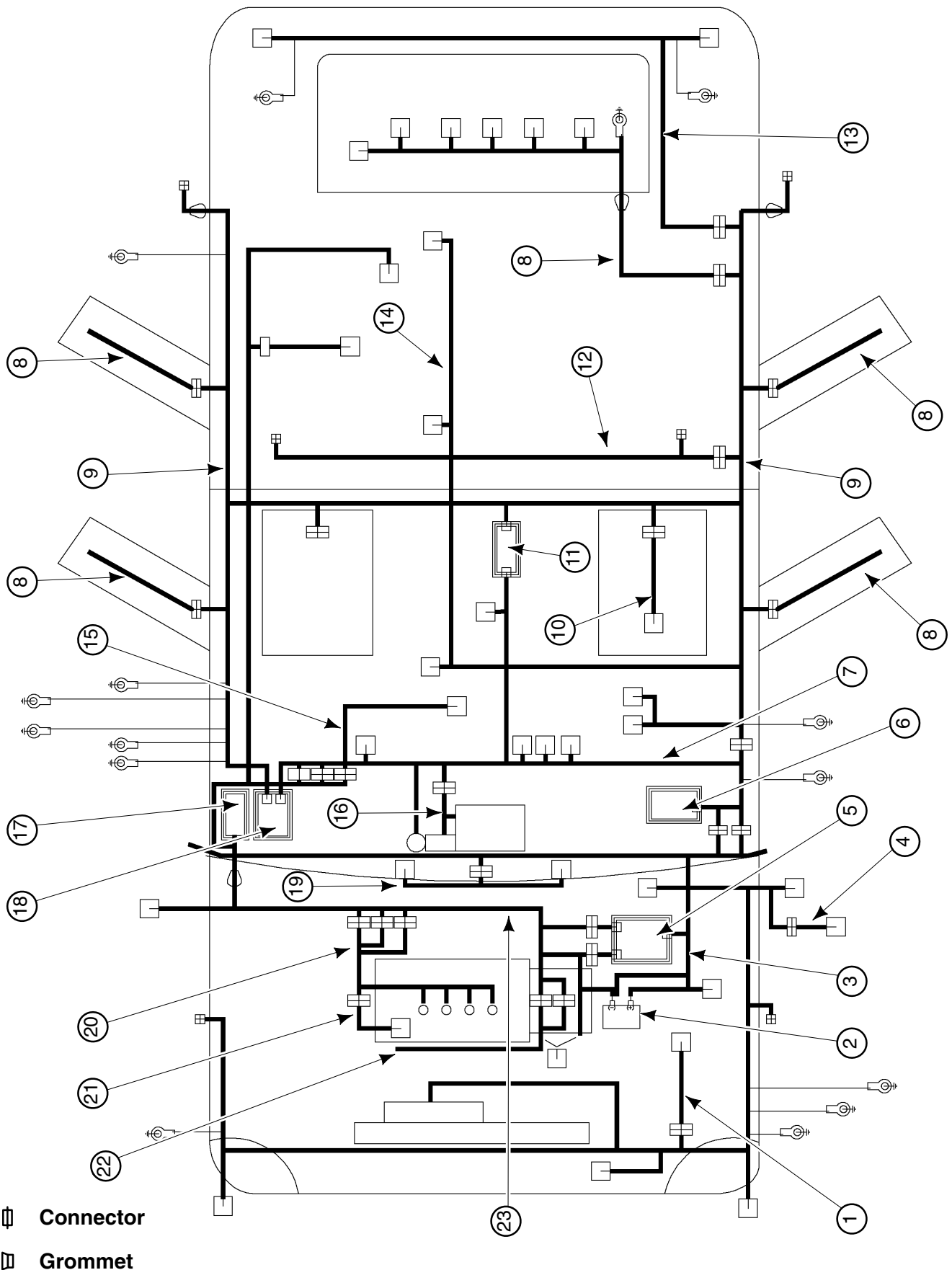
The throttle position sensor (TPS) can be replaced with a new sensor (with gold-plated contacts) by cutting the wiring loom, removing the connector and attaching the wires back together with solder shrink connectors (figure VFFV10010418).



Only solder shrink connectors should be used to attach cut wires together (order from Ford parts). The solder shrink connectors that are available in the wiring loom repair kit from Löwener are approximately the same.





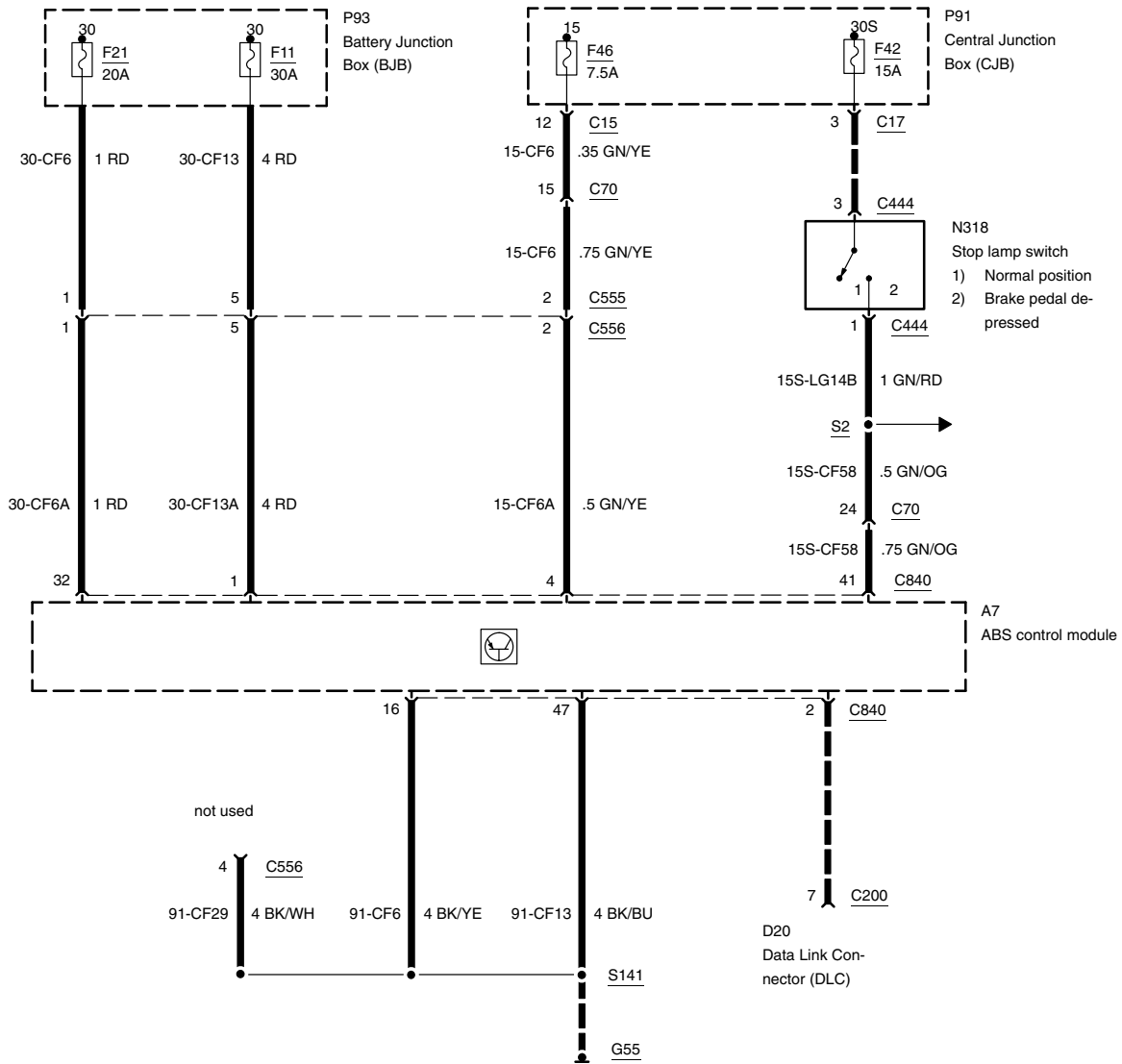


**LHD shown, RHD similar, 1,3 I Endura-E**

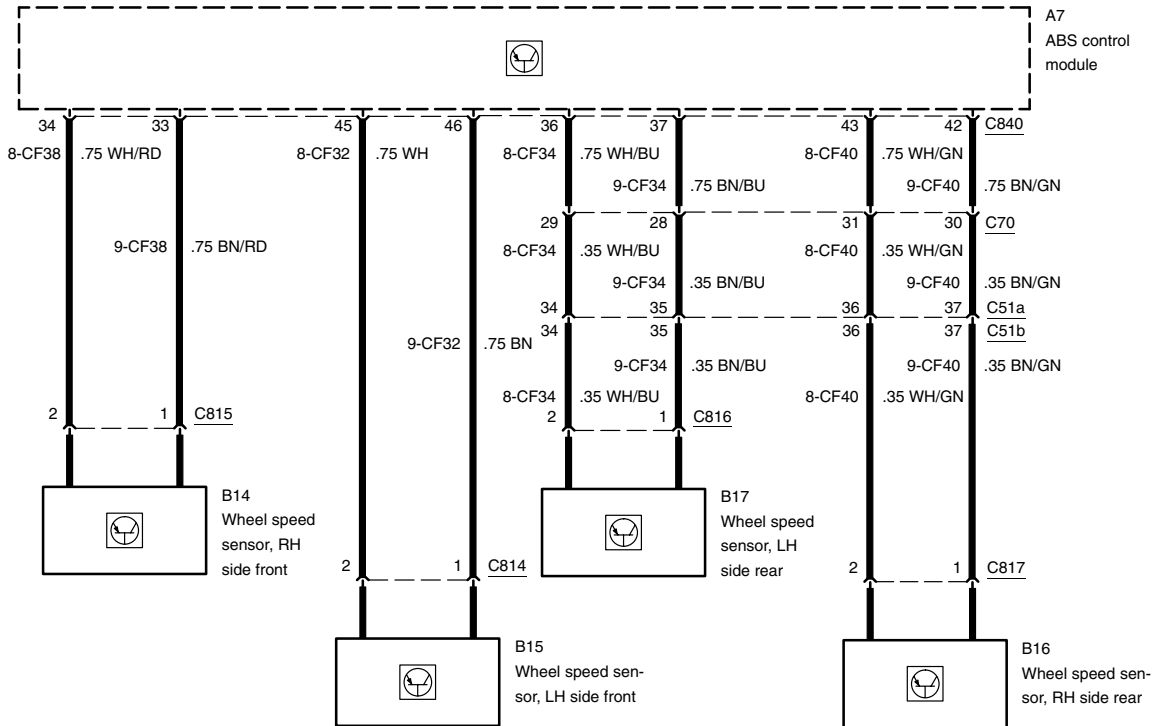
<b>Item</b>	<b>Part Number</b>	<b>Description</b>
1	14B258	Wiring harness – Glow plug heater
2	-	Battery
3	14K733	Wiring harness – Engine compartment
4	13K081	Wiring harness – Windshield wiper/washer
5	-	Battery Junction Box (BJB)
6	-	Centraabcl Junction Box (CJB)
7	14401	Main wiring harness
8	14A584	Wiring harness – Doors
9	14014	Wiring harness – Door to door
10	14A699	Wiring harness – Power seats
11	-	Air bag module
12	19L540	Wiring harness – Anti-theft alarm
13	14405	Wiring harness – Tail lamps
14	14335	Wiring harness – Interior illumination
15	12K531	Wiring harness – Accelerator to engine control
16	18B604	Wiring harness – Heater control
17	-	Powertrain control module (PCM)
18	-	Generic Electronic Module (GEM)
19	14297	Wiring harness – Windshield wiper
20	9H589	Wiring harness – Engine control
21	14B102	Wiring harness – Temperature sensor jumper
22	12A690	Wiring harness – Engine control
23	12A522	Wiring harness – Engine control



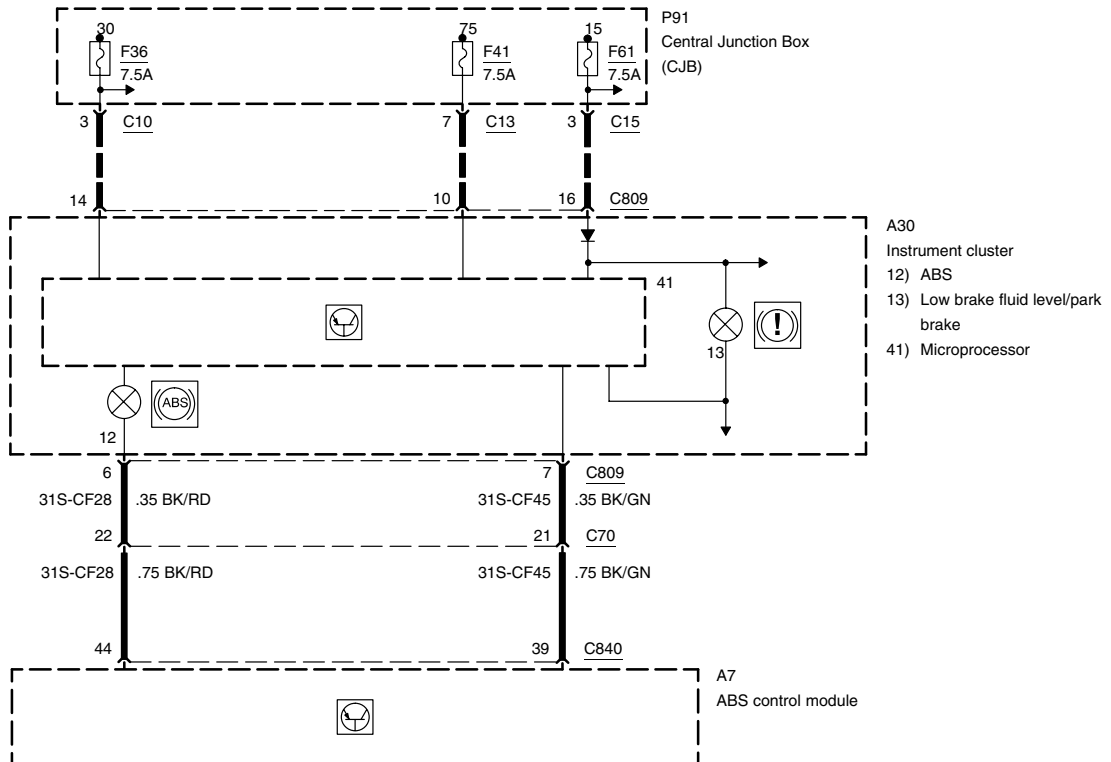


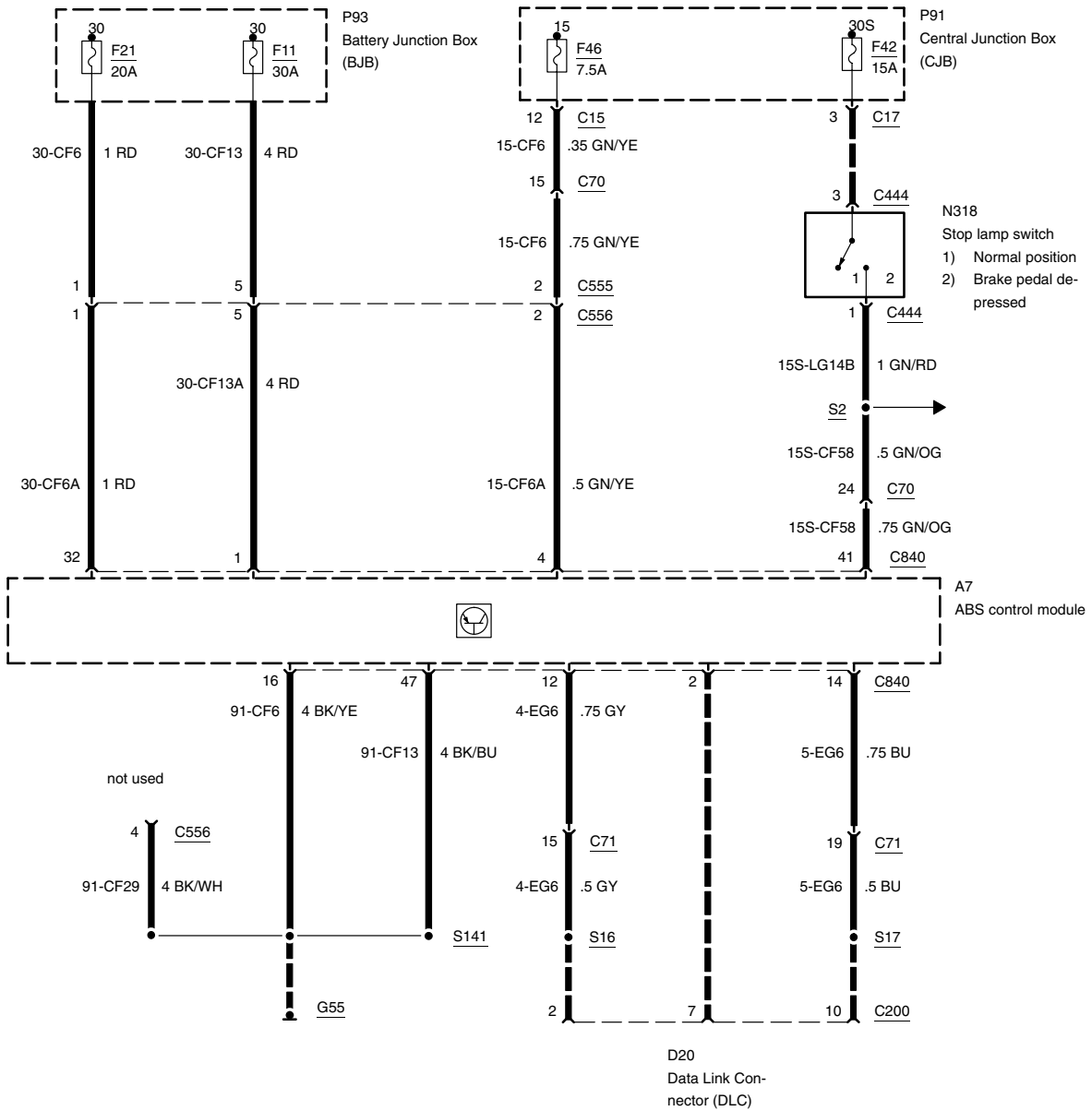


-2

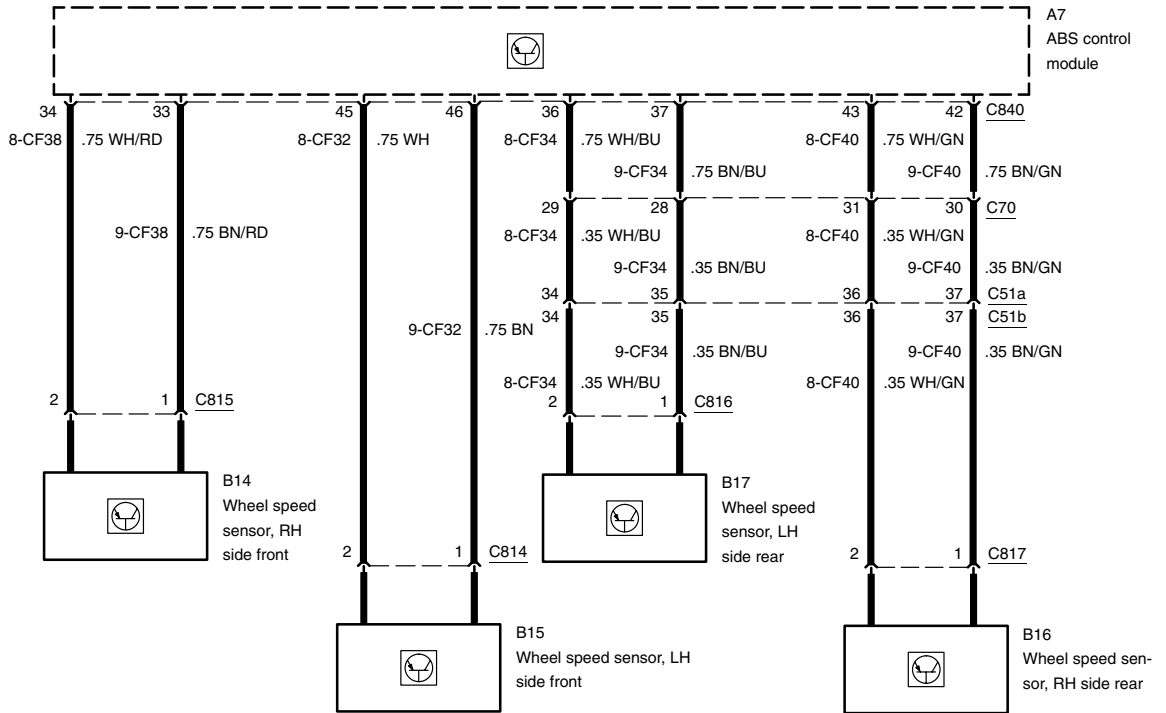


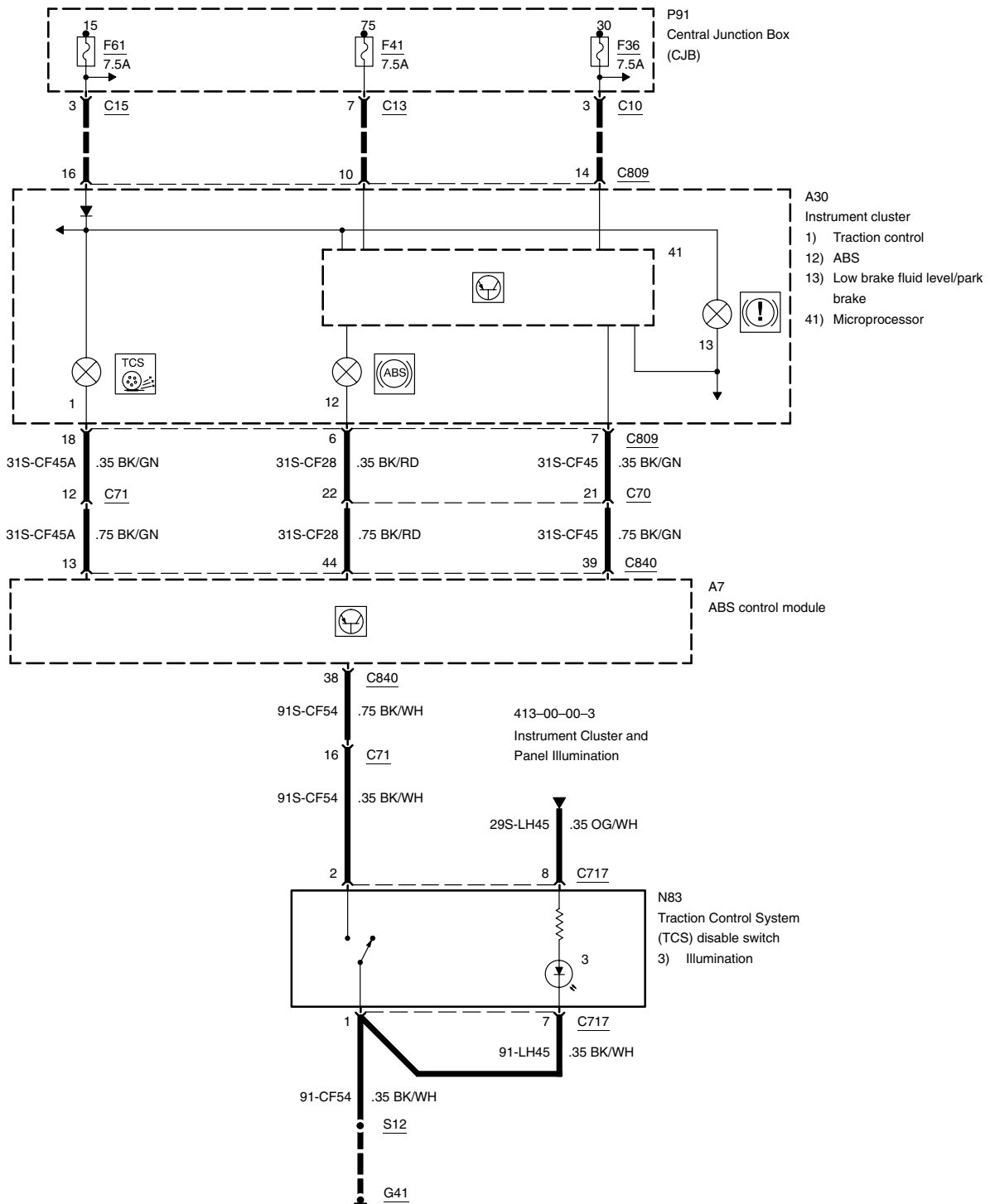
-3



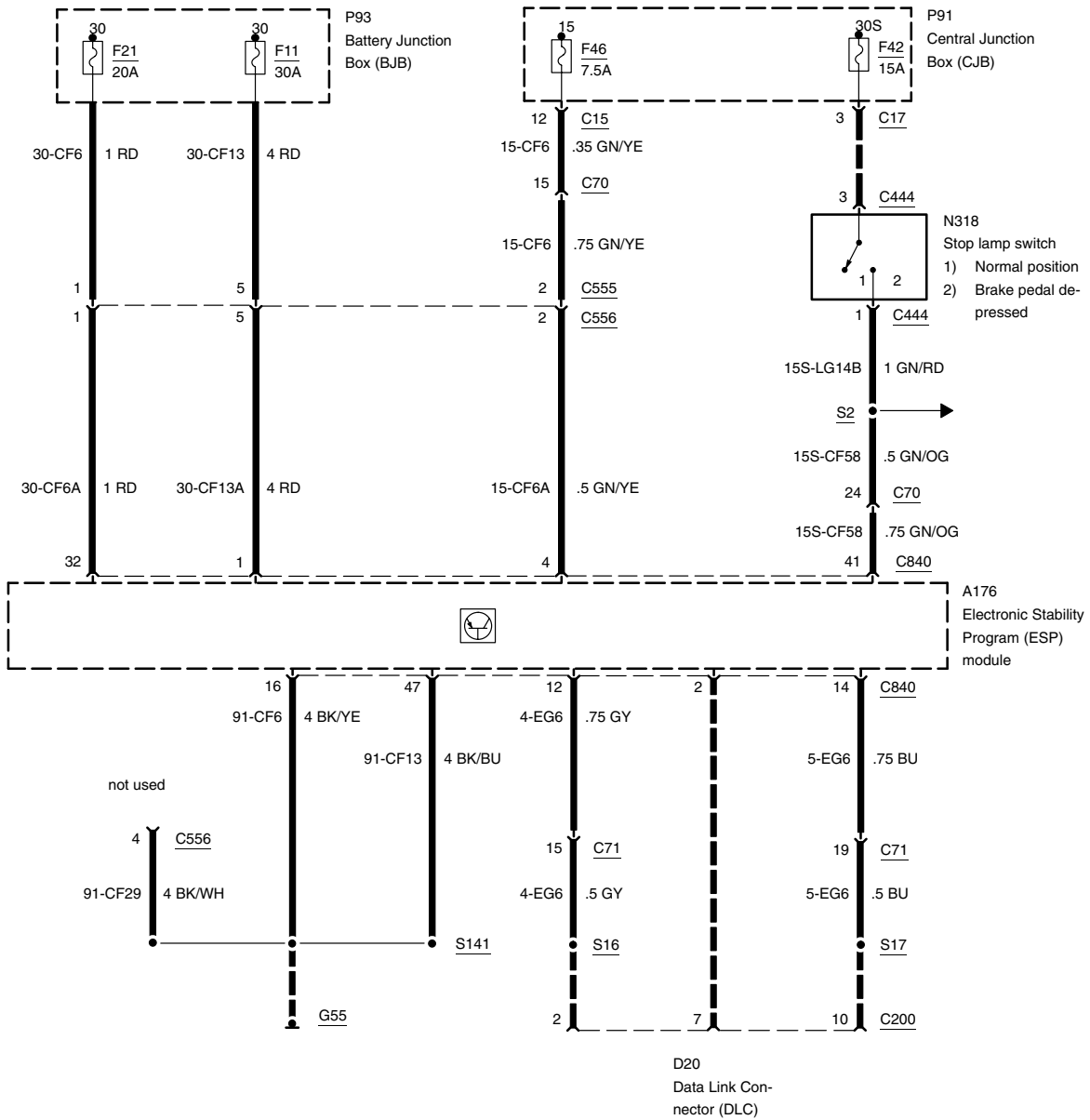


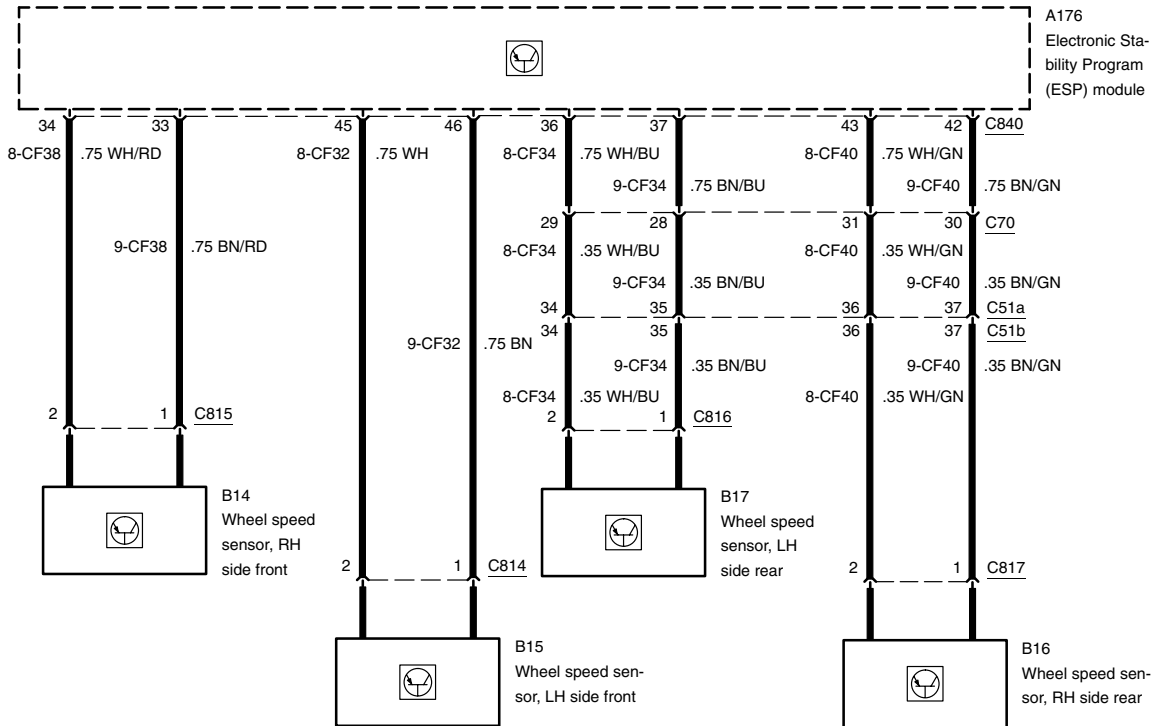


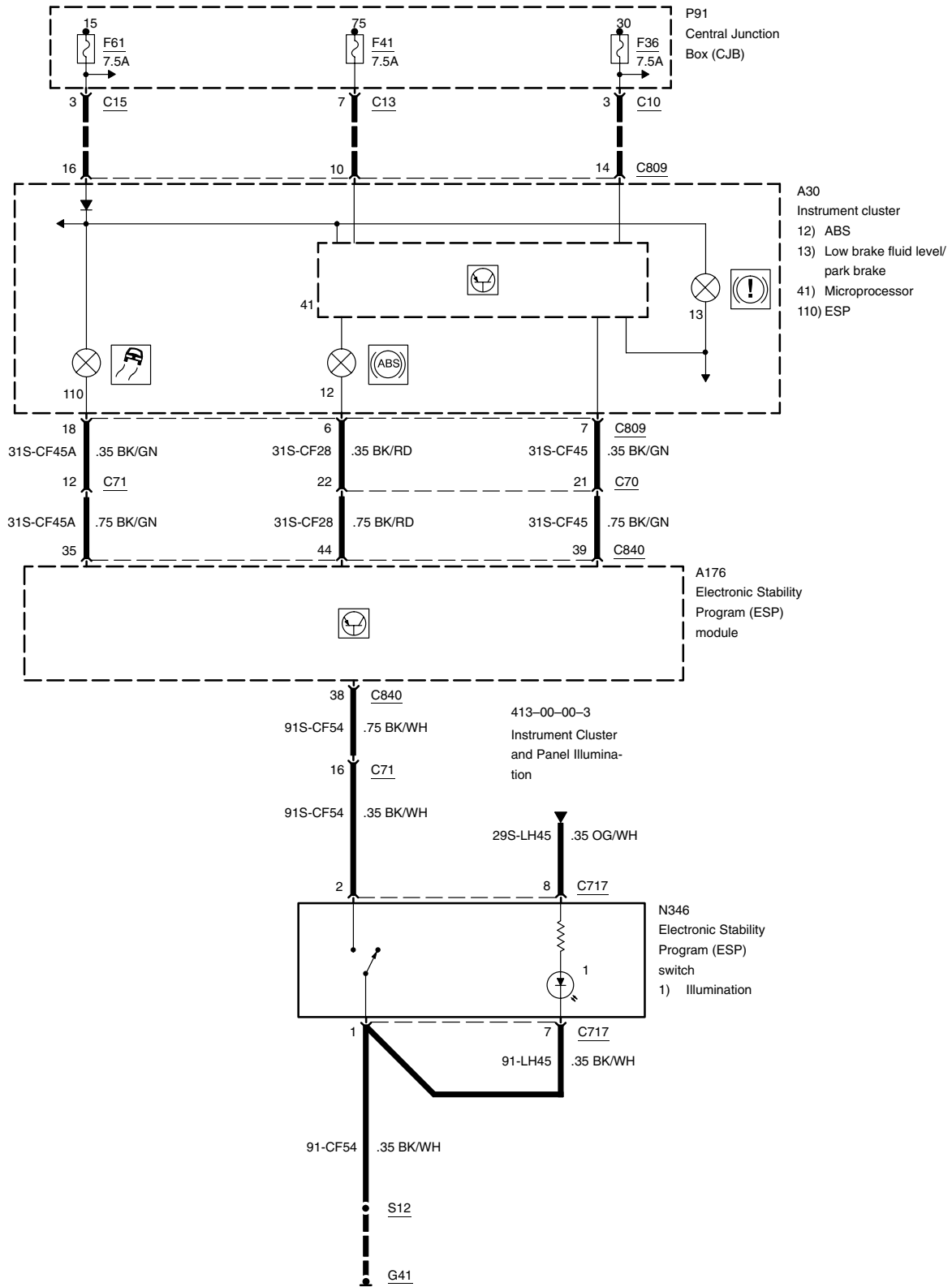


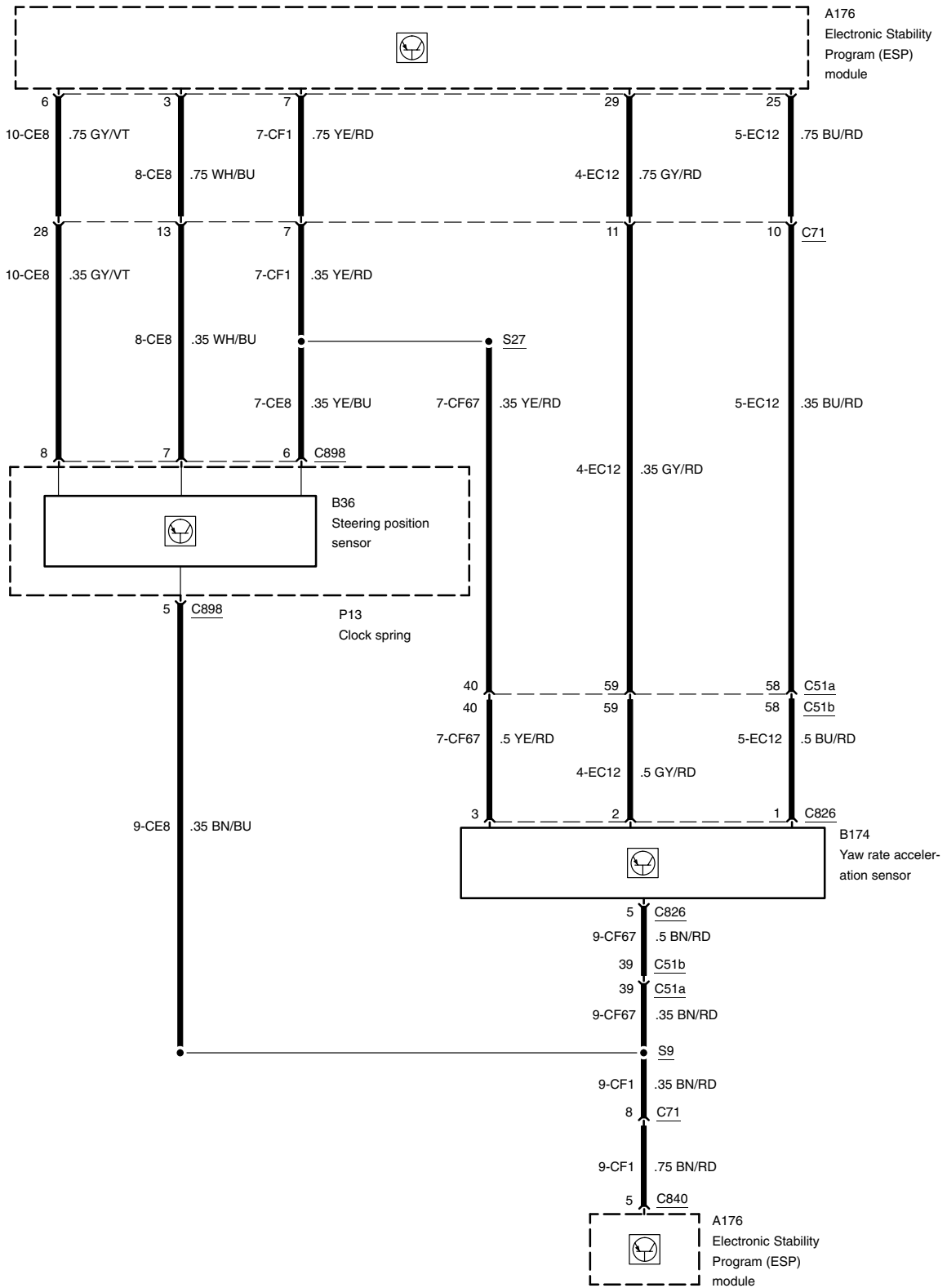


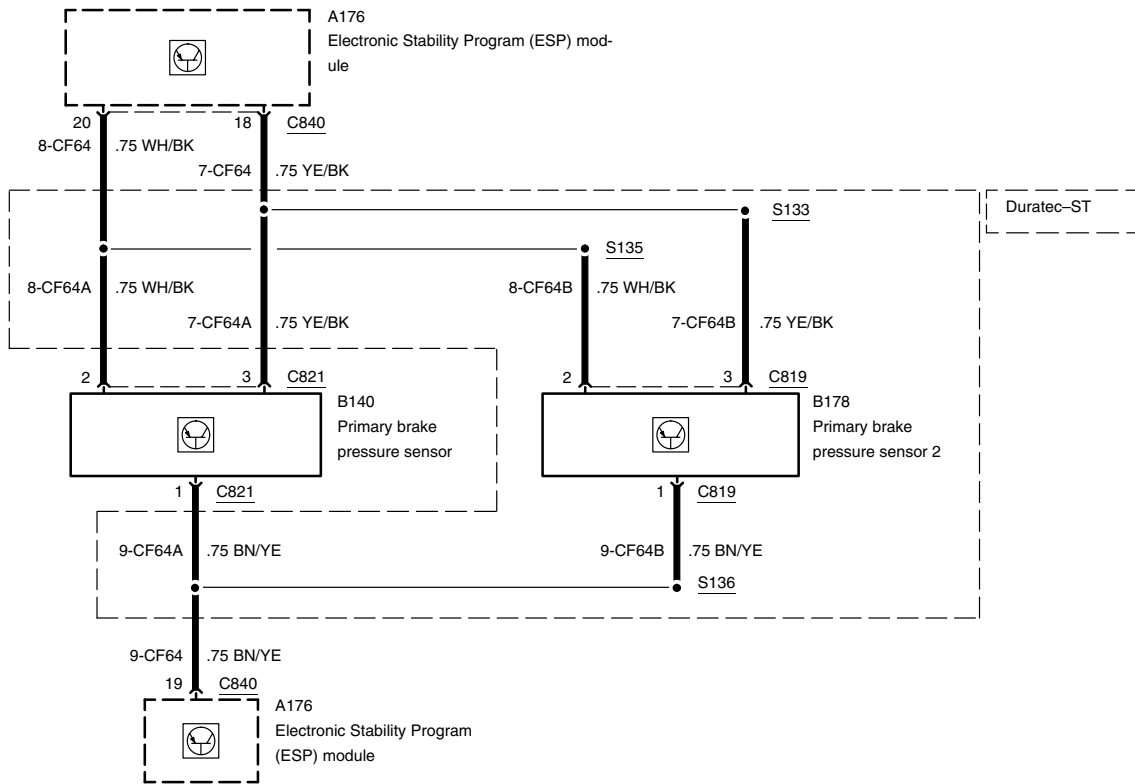








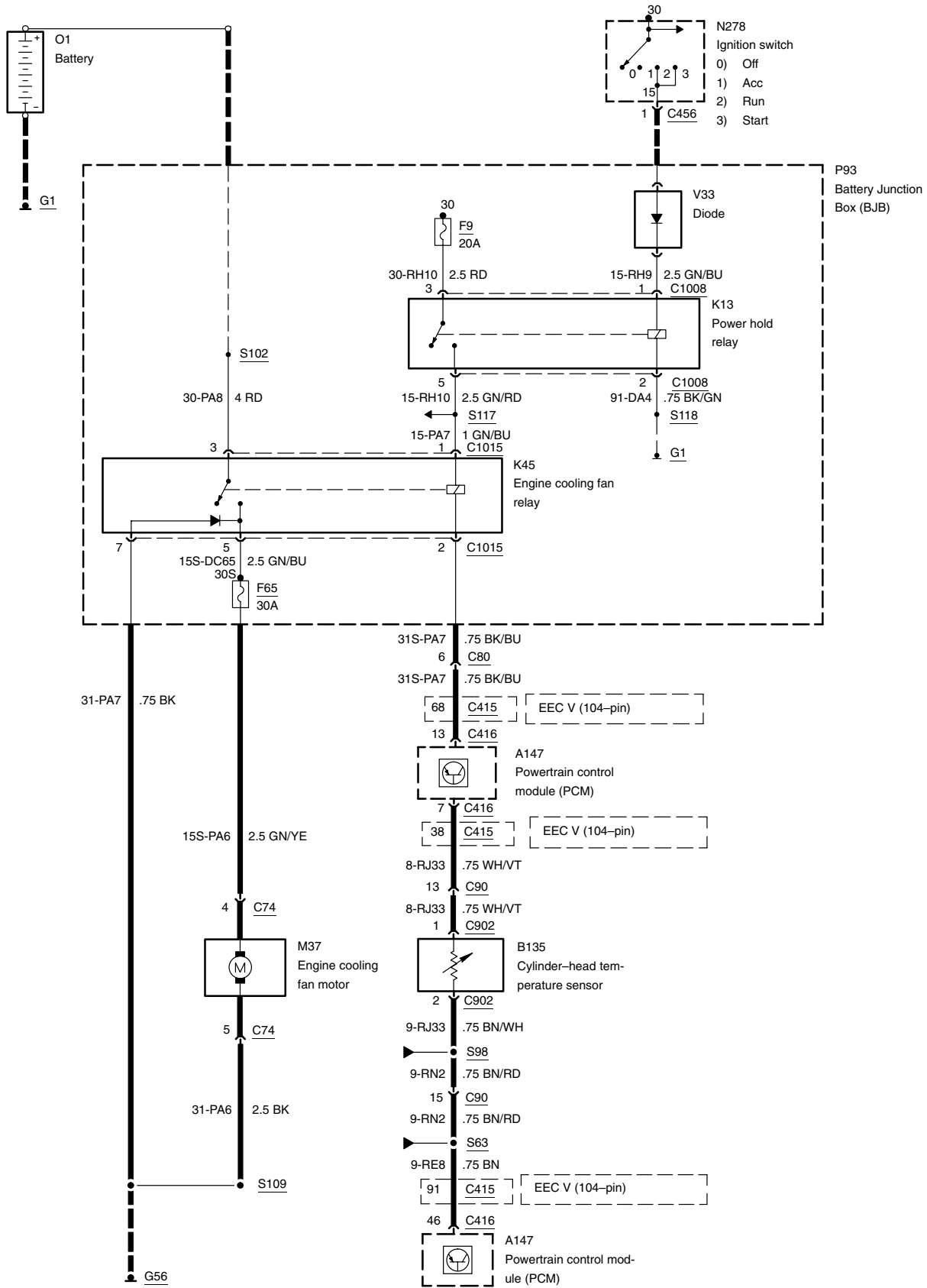




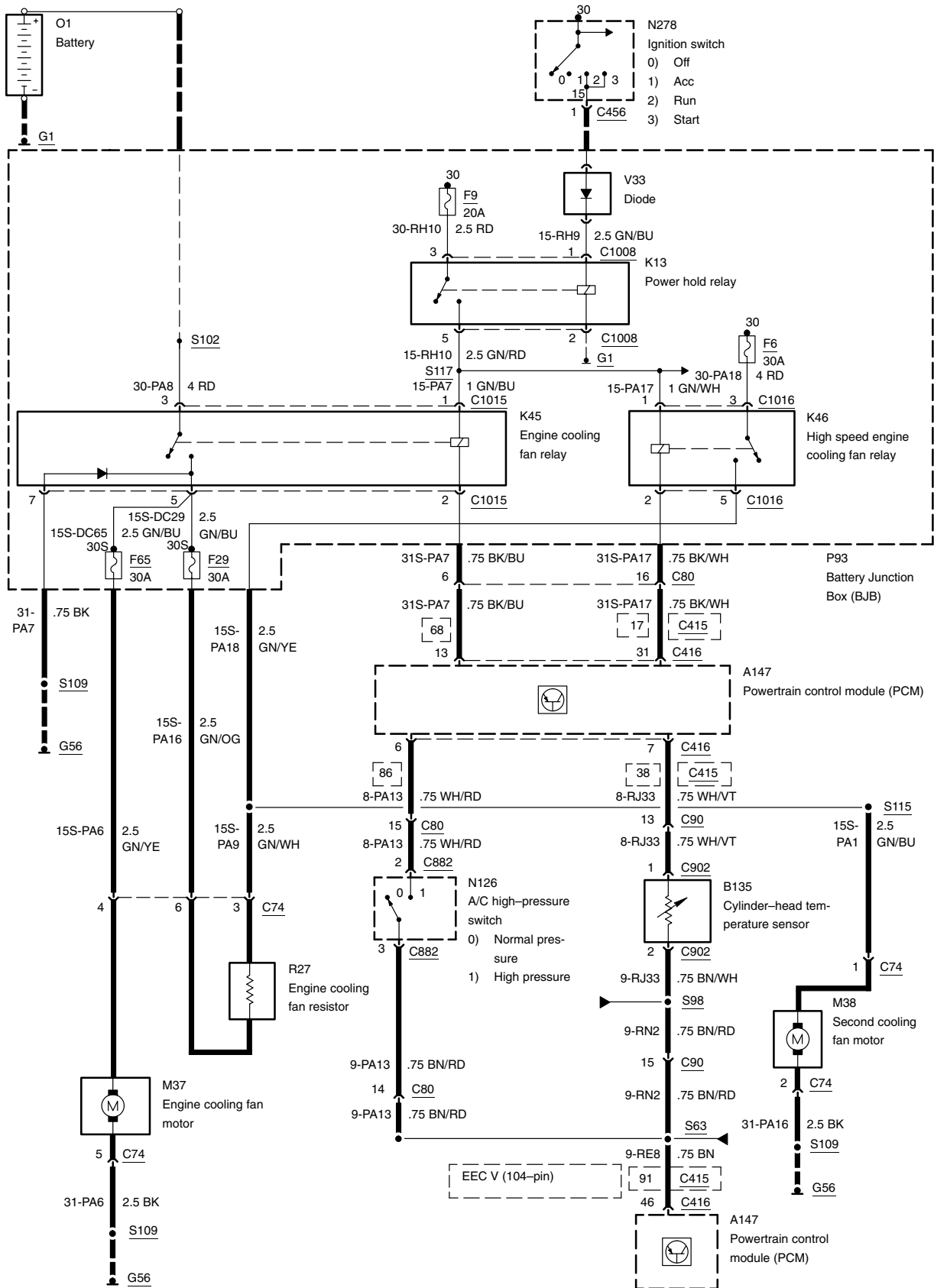




ZETEC-SE, without air conditioning

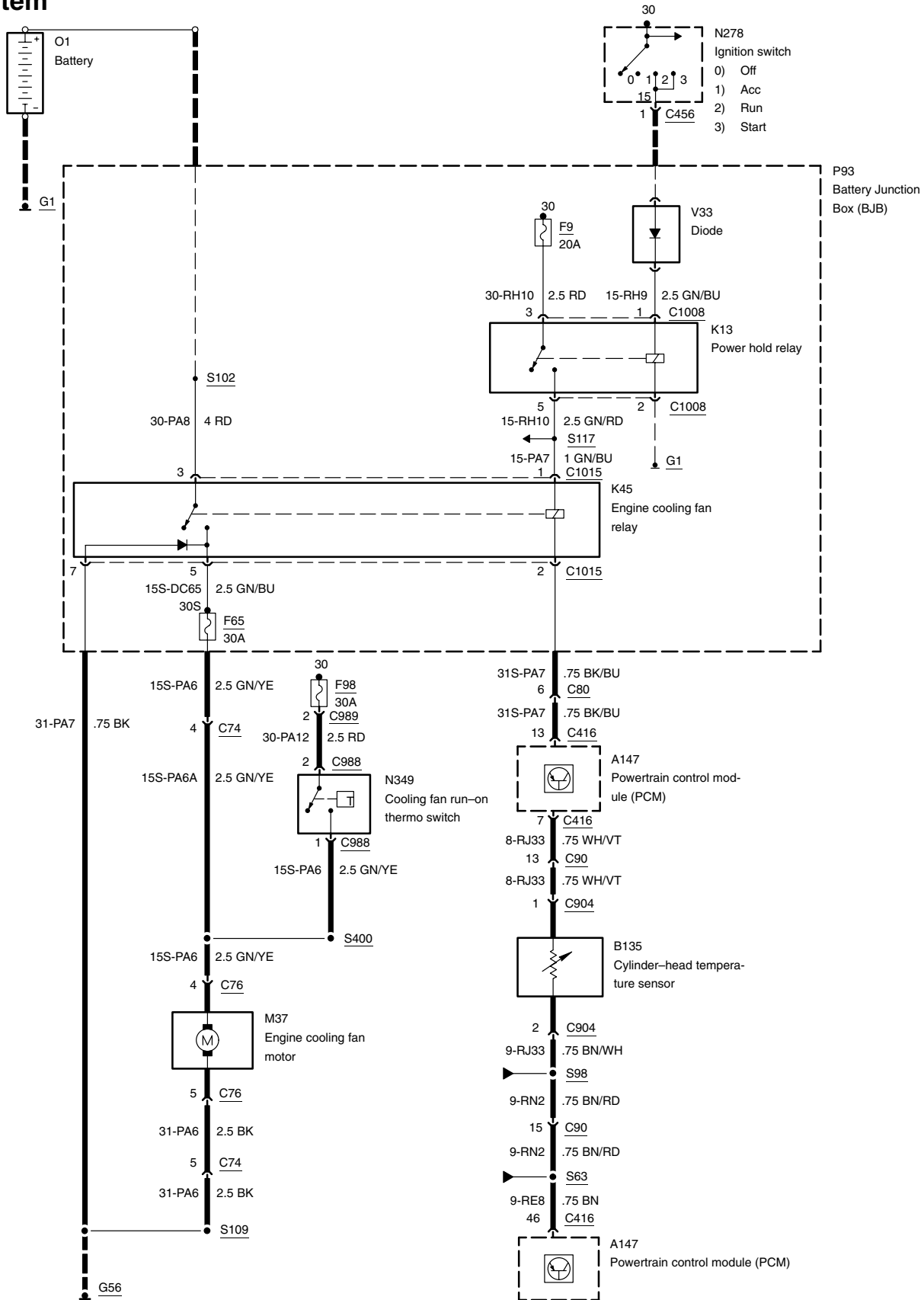


ZETEC-SE, with air conditioning

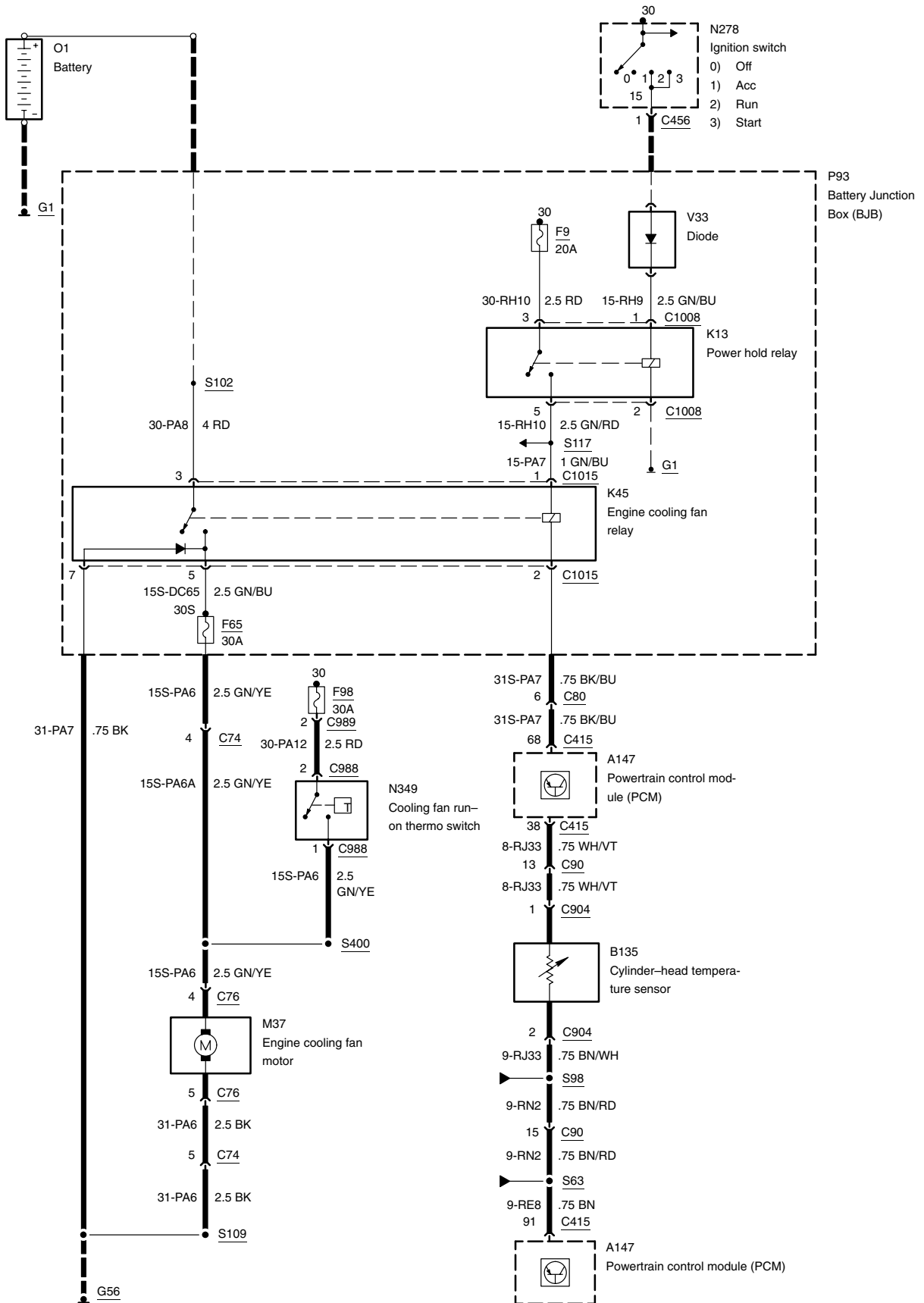


ZETEC-E, without air conditioning, manual transmission, without LPG fuel system

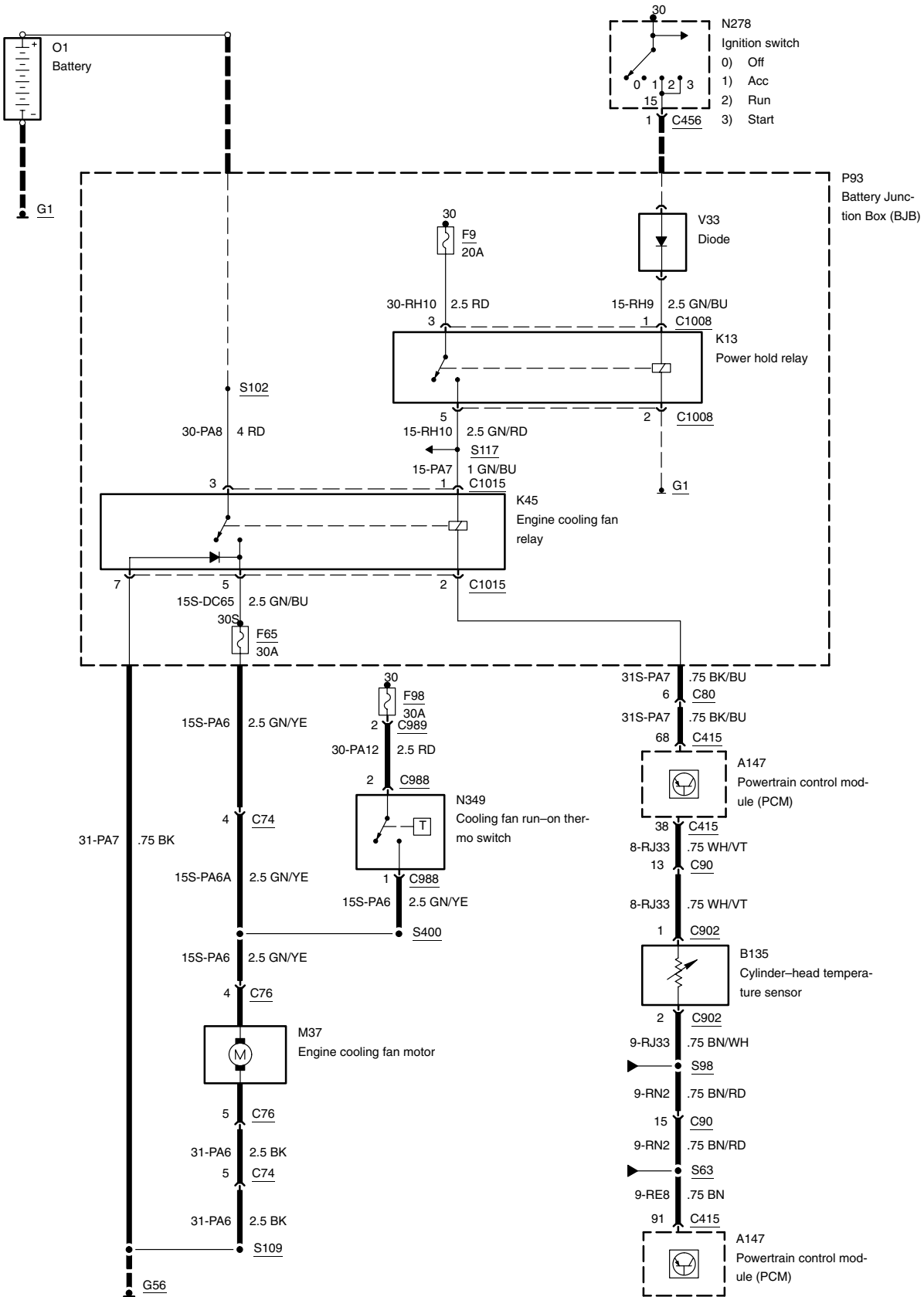
-3



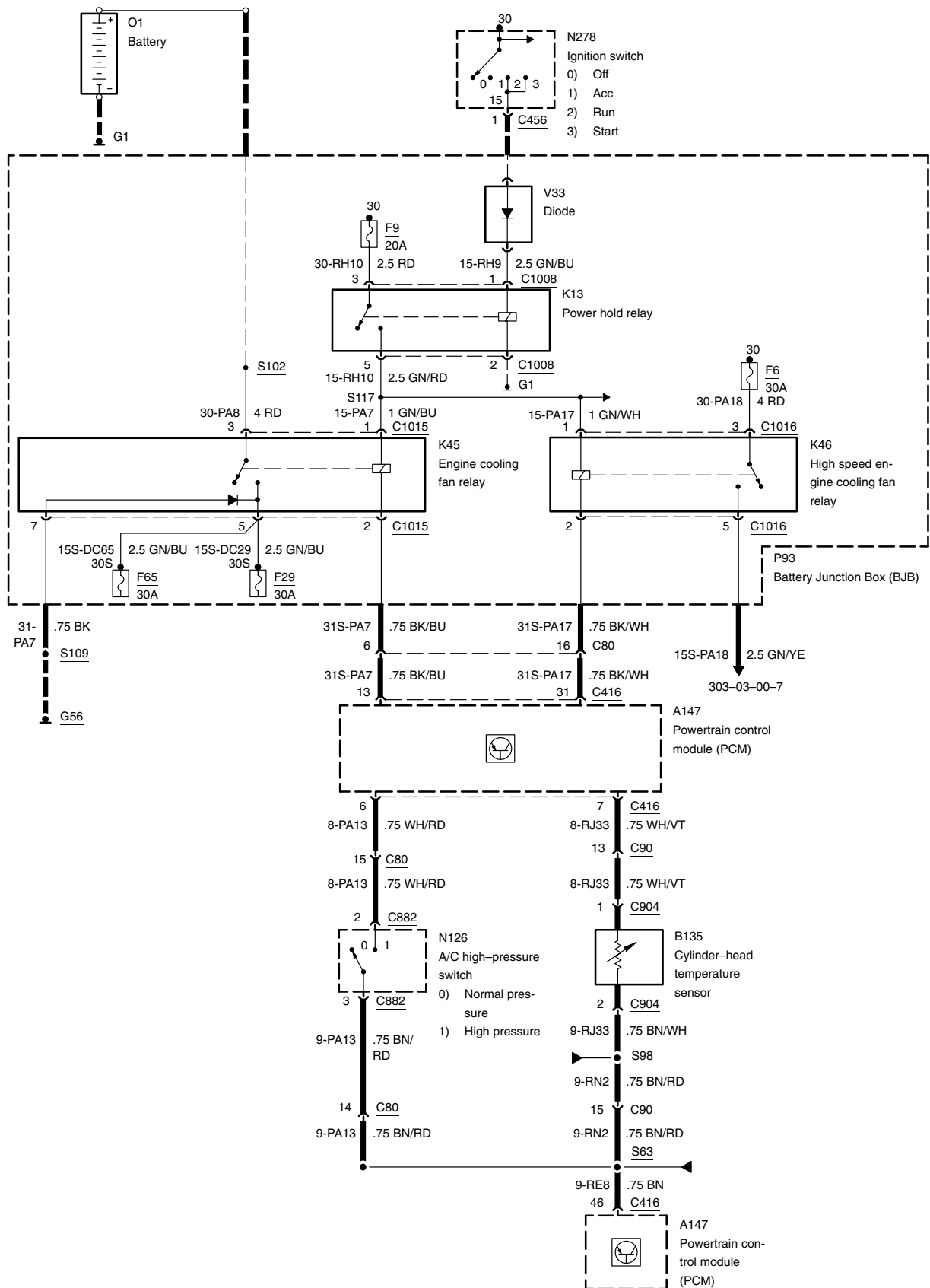
ZETEC-E, without air conditioning, with LPG fuel system



ZETEC-E, without air conditioning, automatic transmission

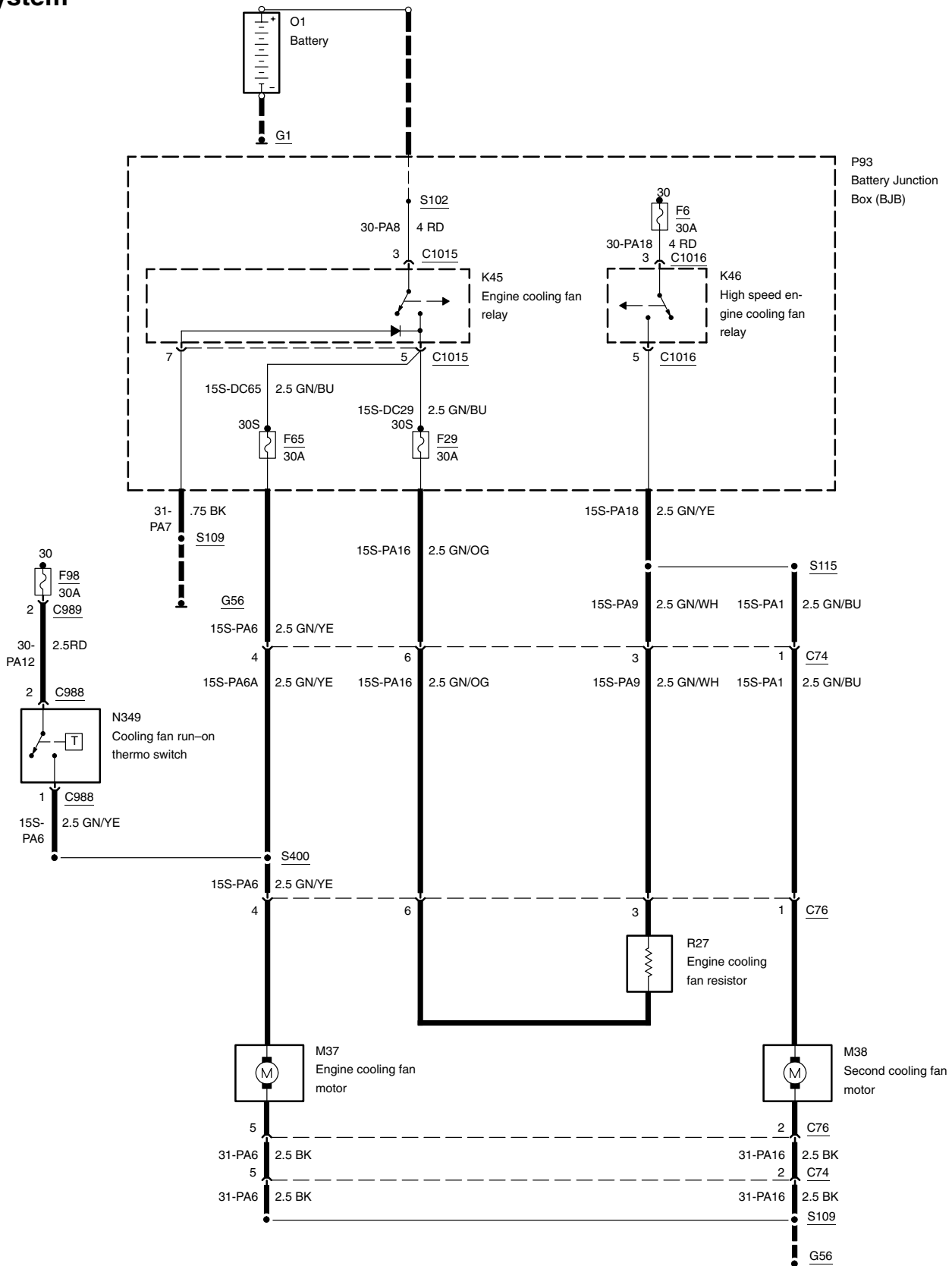


# ZETEC-E, with air conditioning, manual transmission, without LPG fuel system



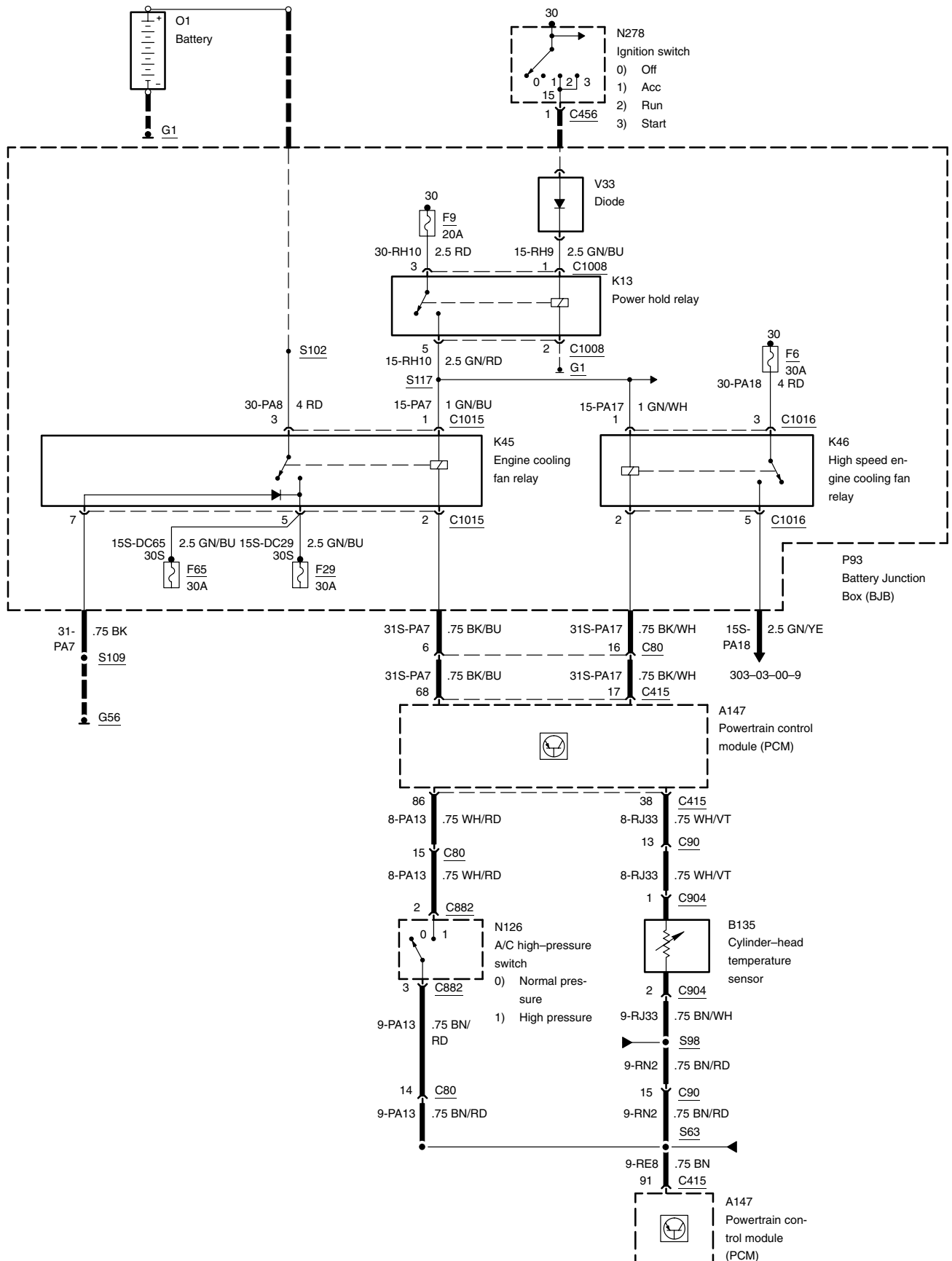
ZETEC-E, with air conditioning, manual transmission, without LPG fuel system

-7

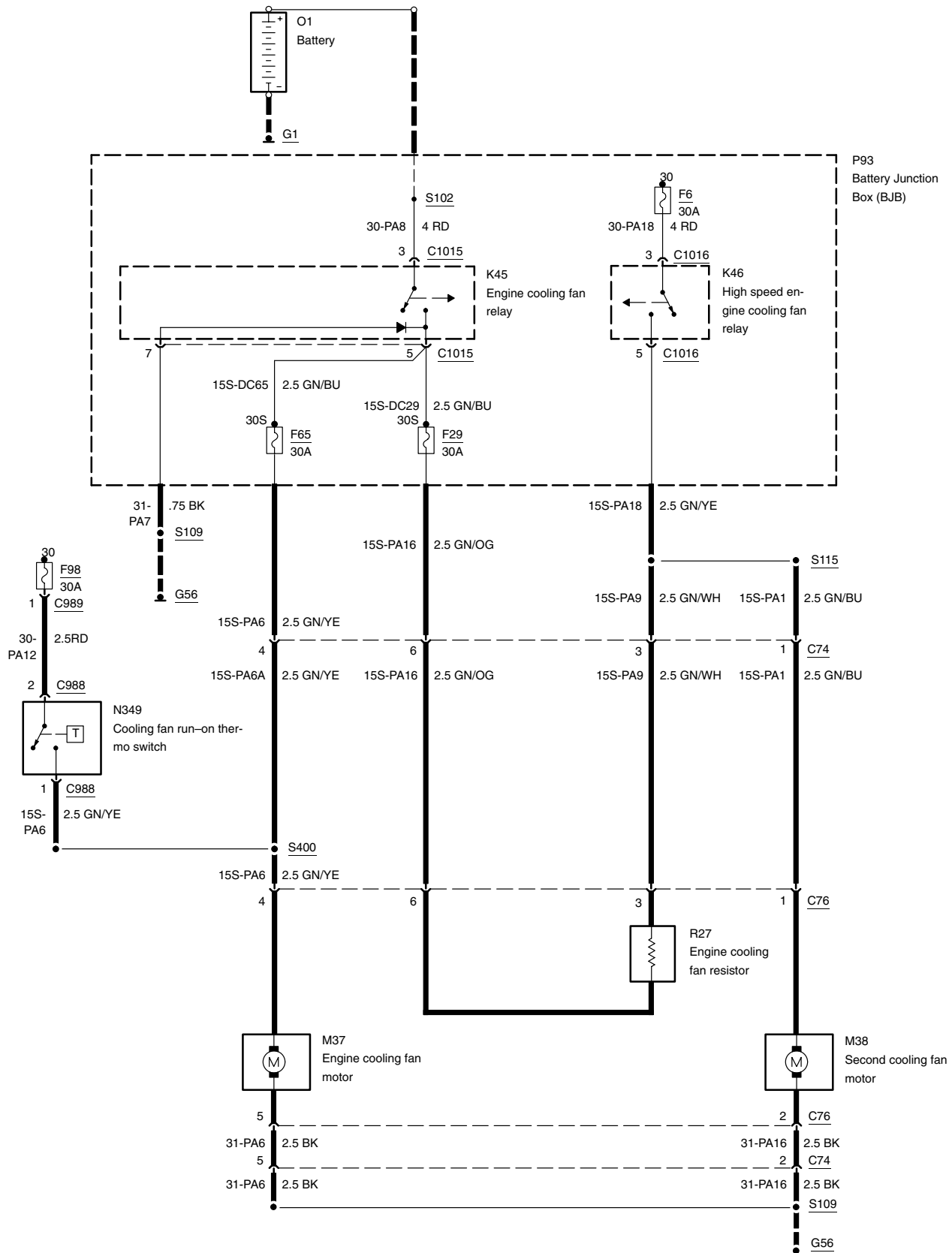




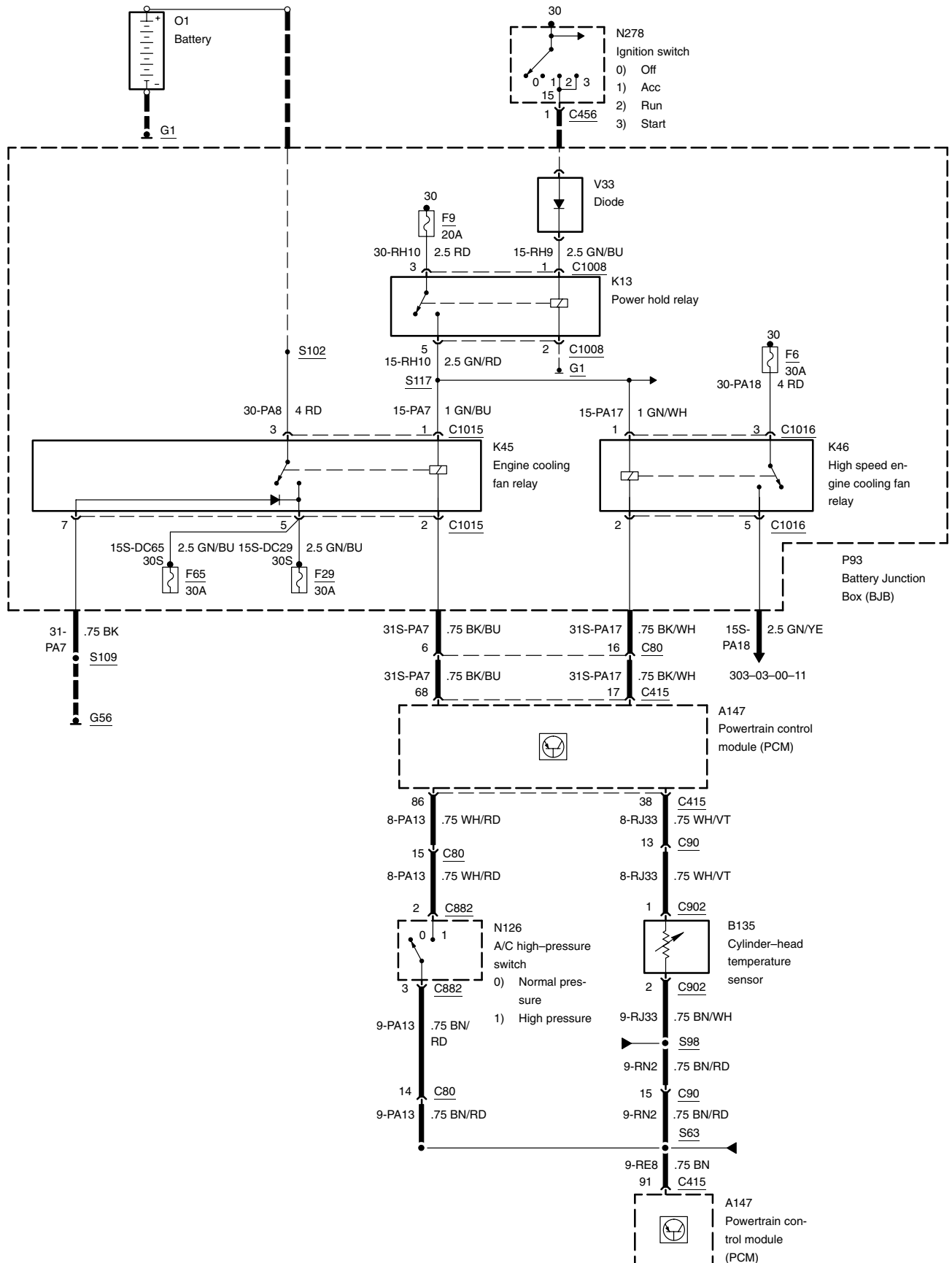
ZETEC-E, with air conditioning, with LPG fuel system



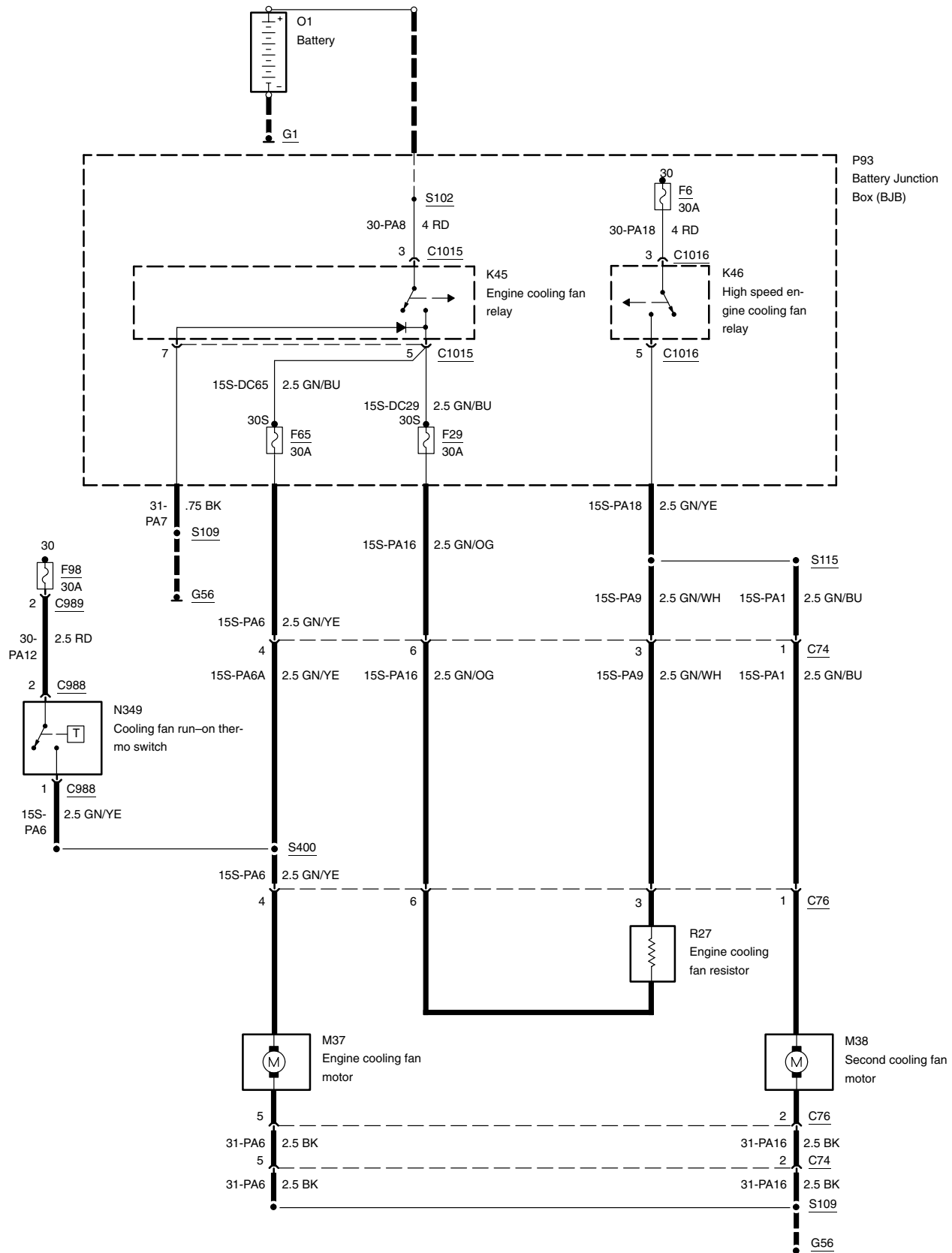
ZETEC-E, with air conditioning, with LPG fuel system



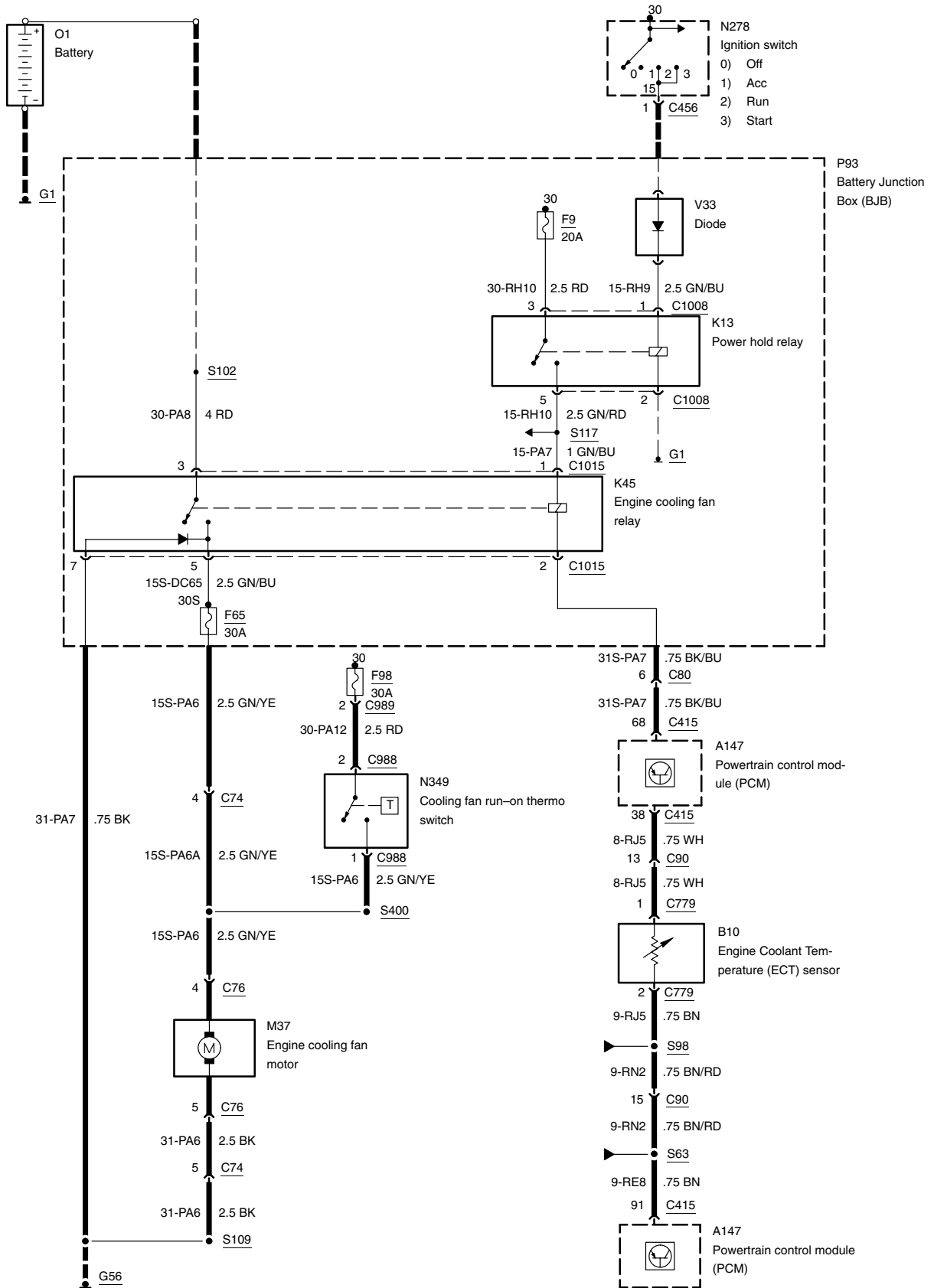
ZETEC-E, with air conditioning, automatic transmission



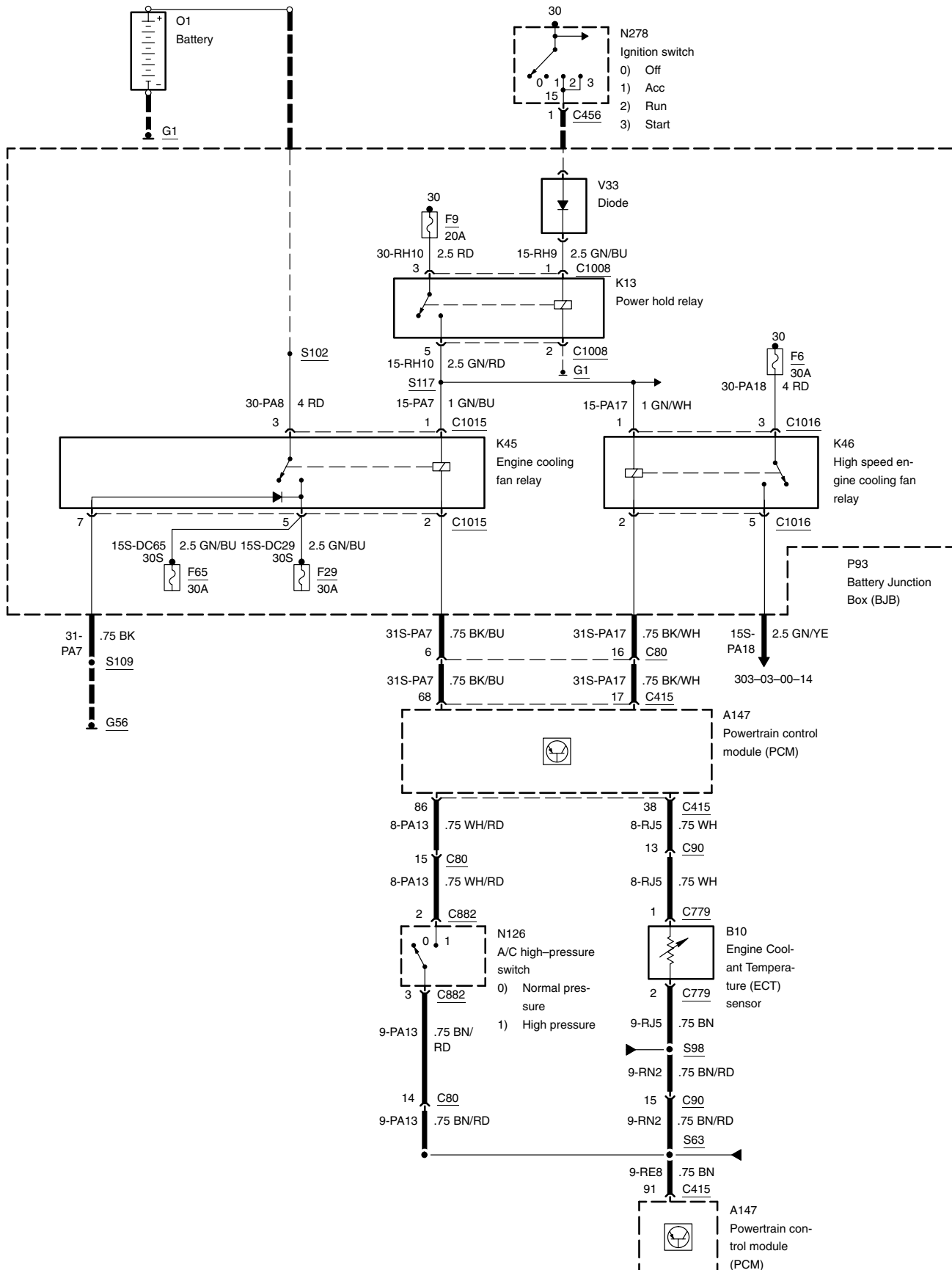
ZETEC-E, with air conditioning, automatic transmission



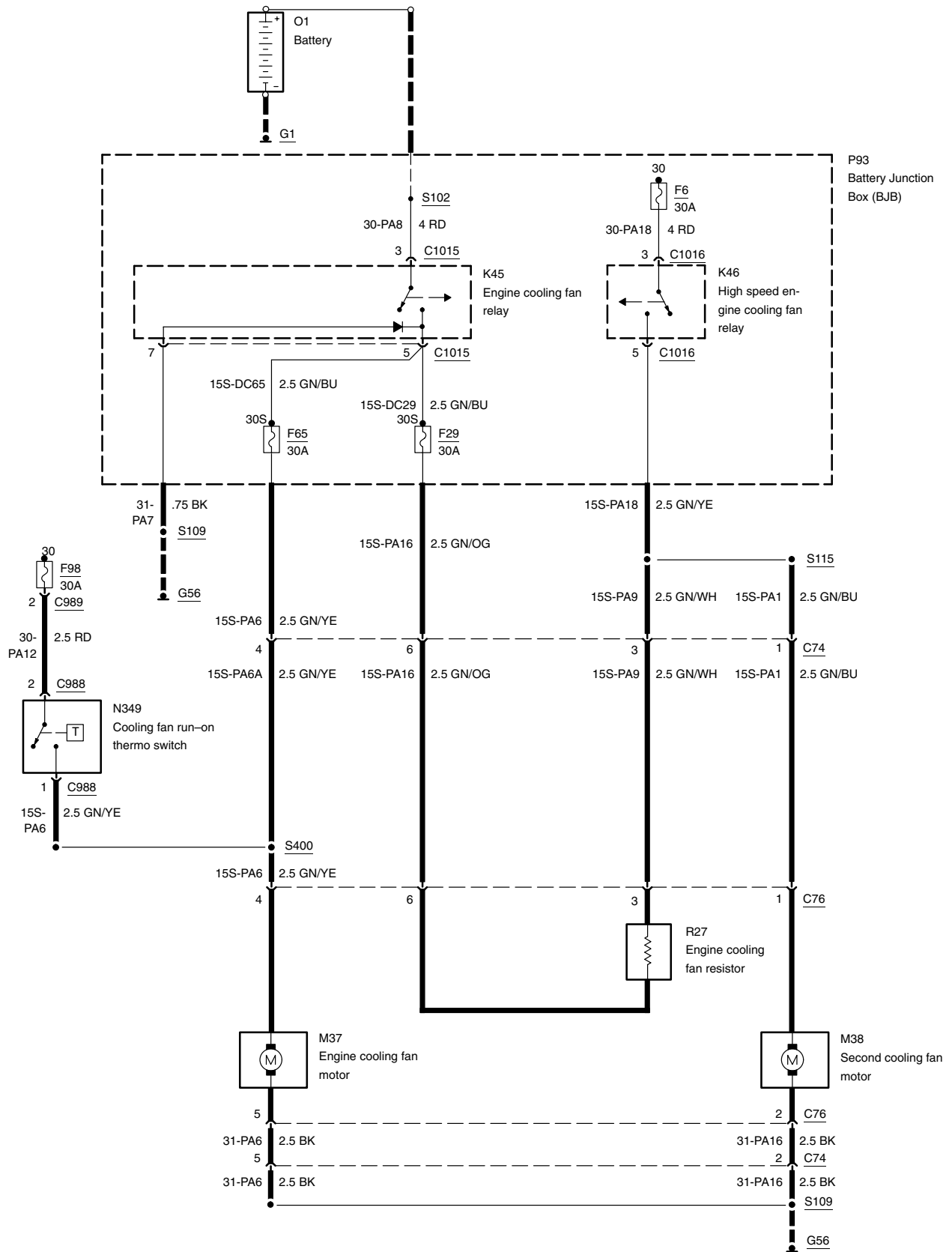
Duratec-ST, without air conditioning



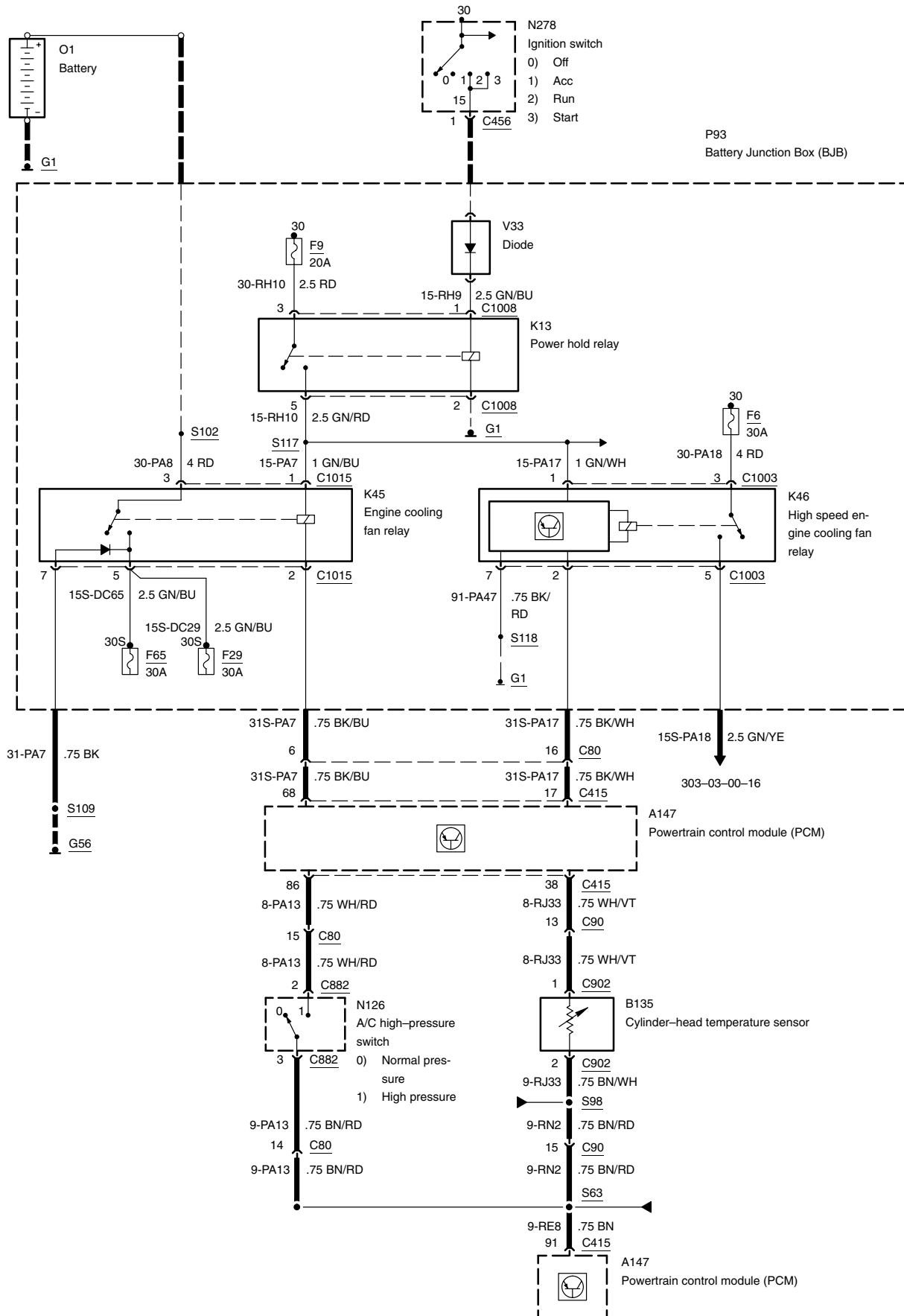
Duratec-ST, with air conditioning



Duratec-ST, with air conditioning

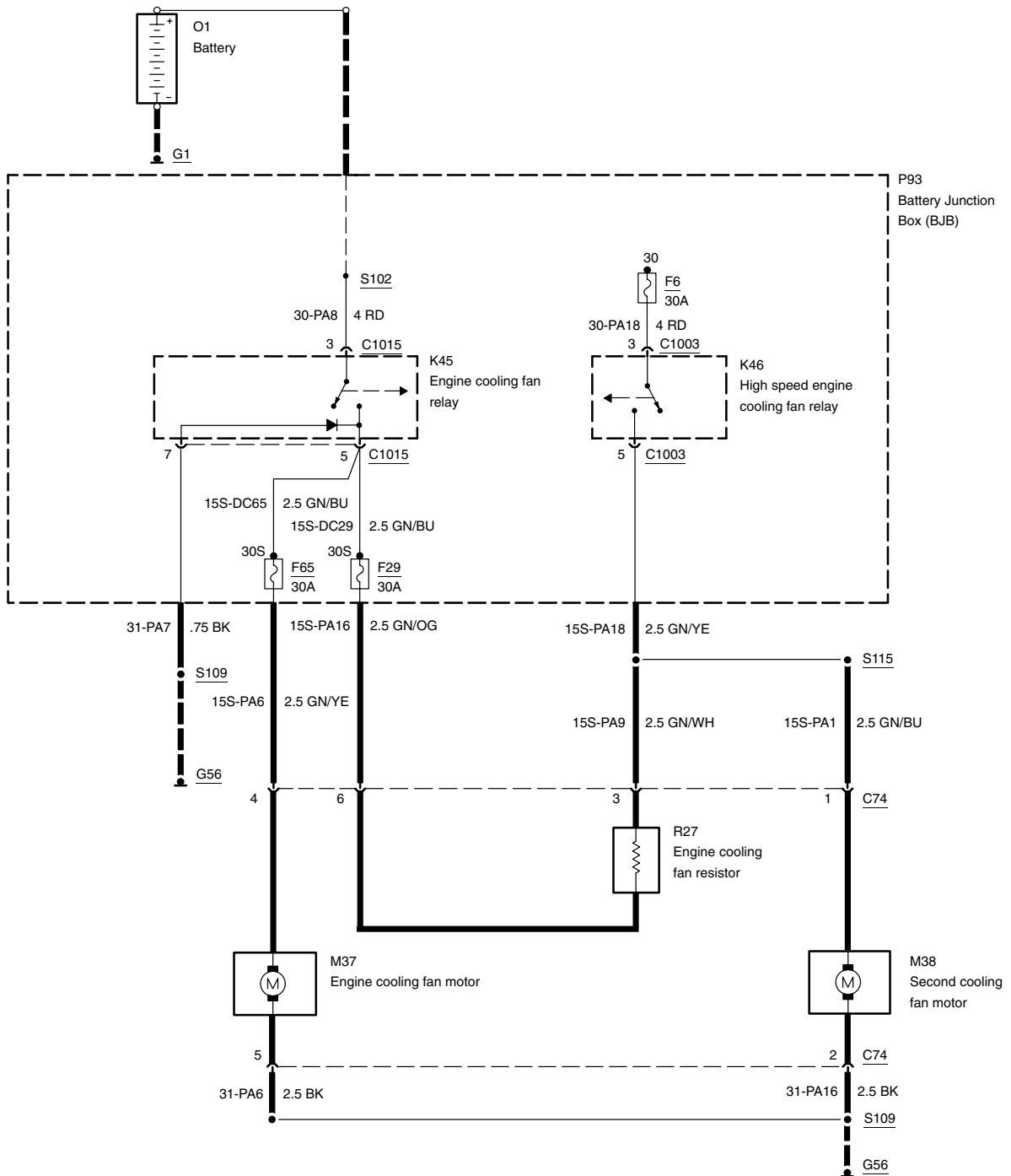


Duratec-RS



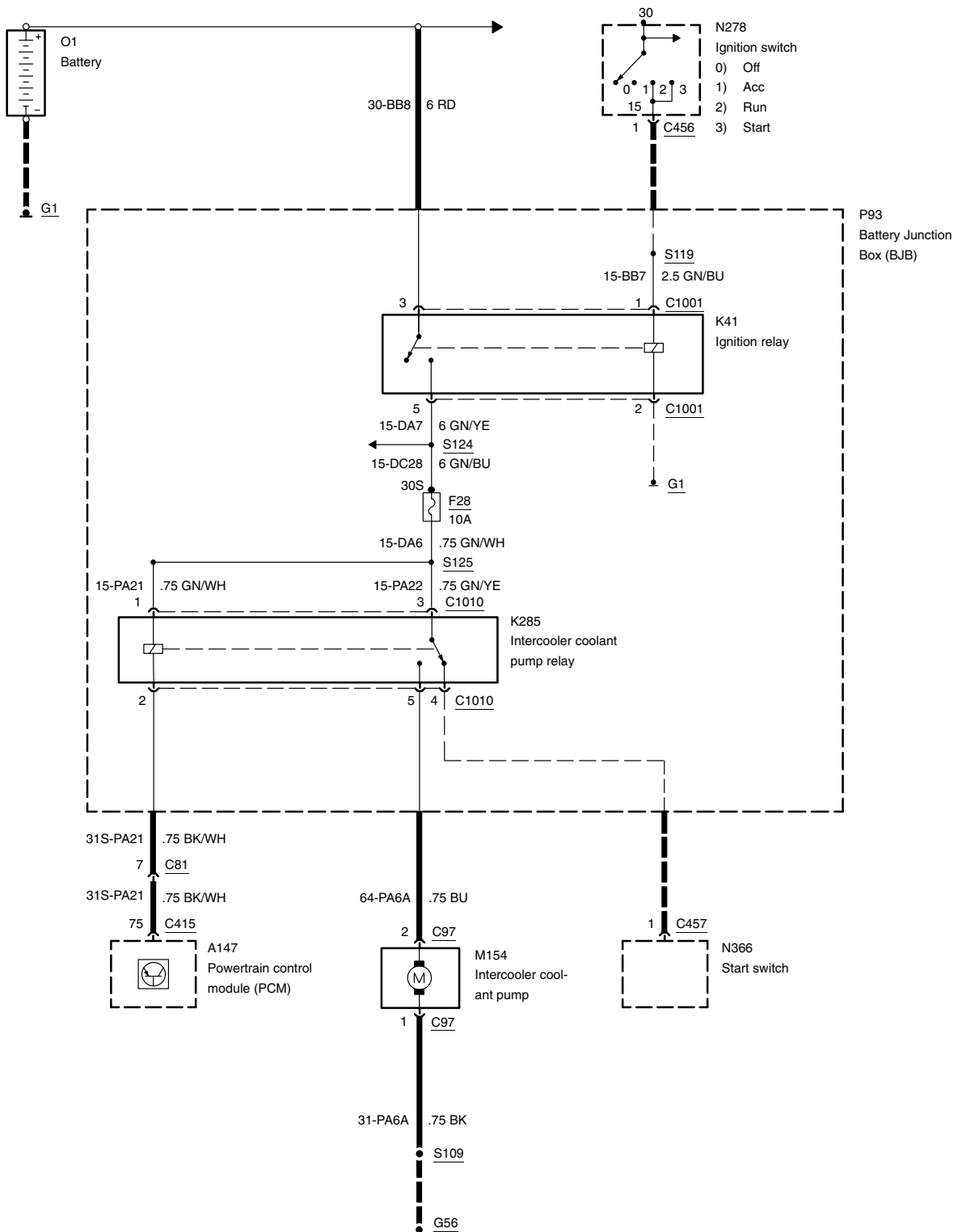


Duratec-RS

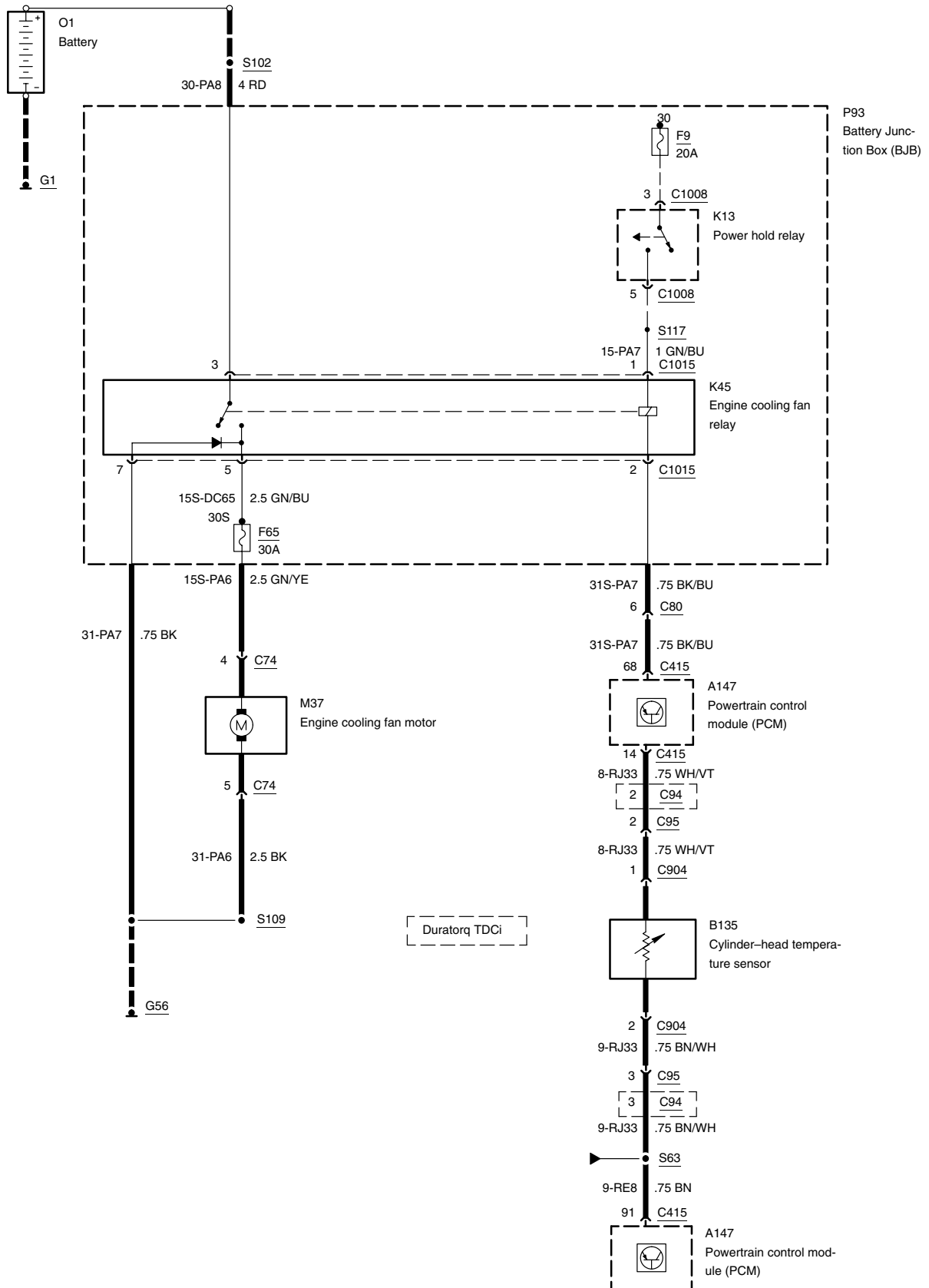


Duratec-RS

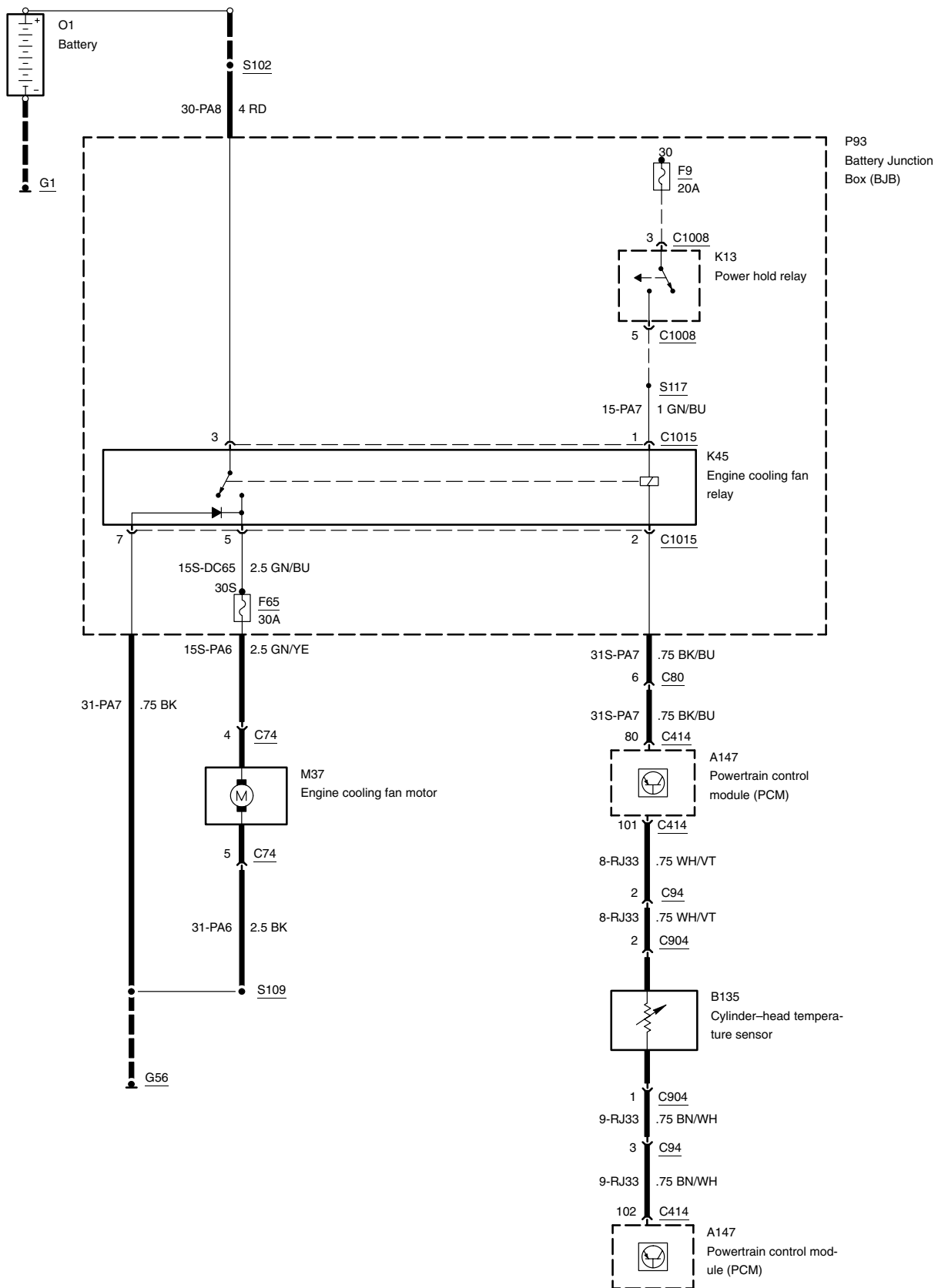
-17



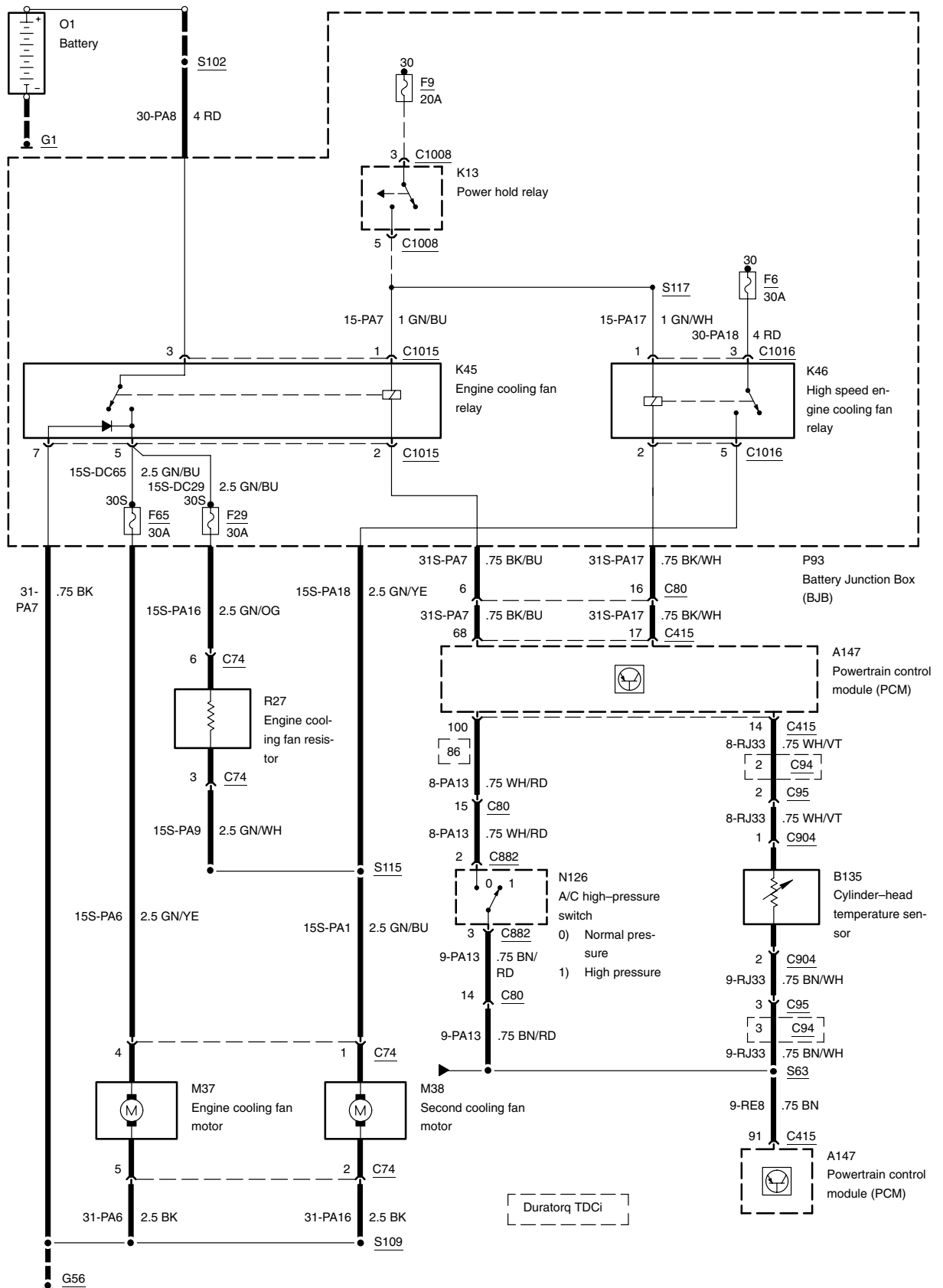
Endura-TDDi, 85kW Duratorq TDCi before 08/2002, without air conditioning



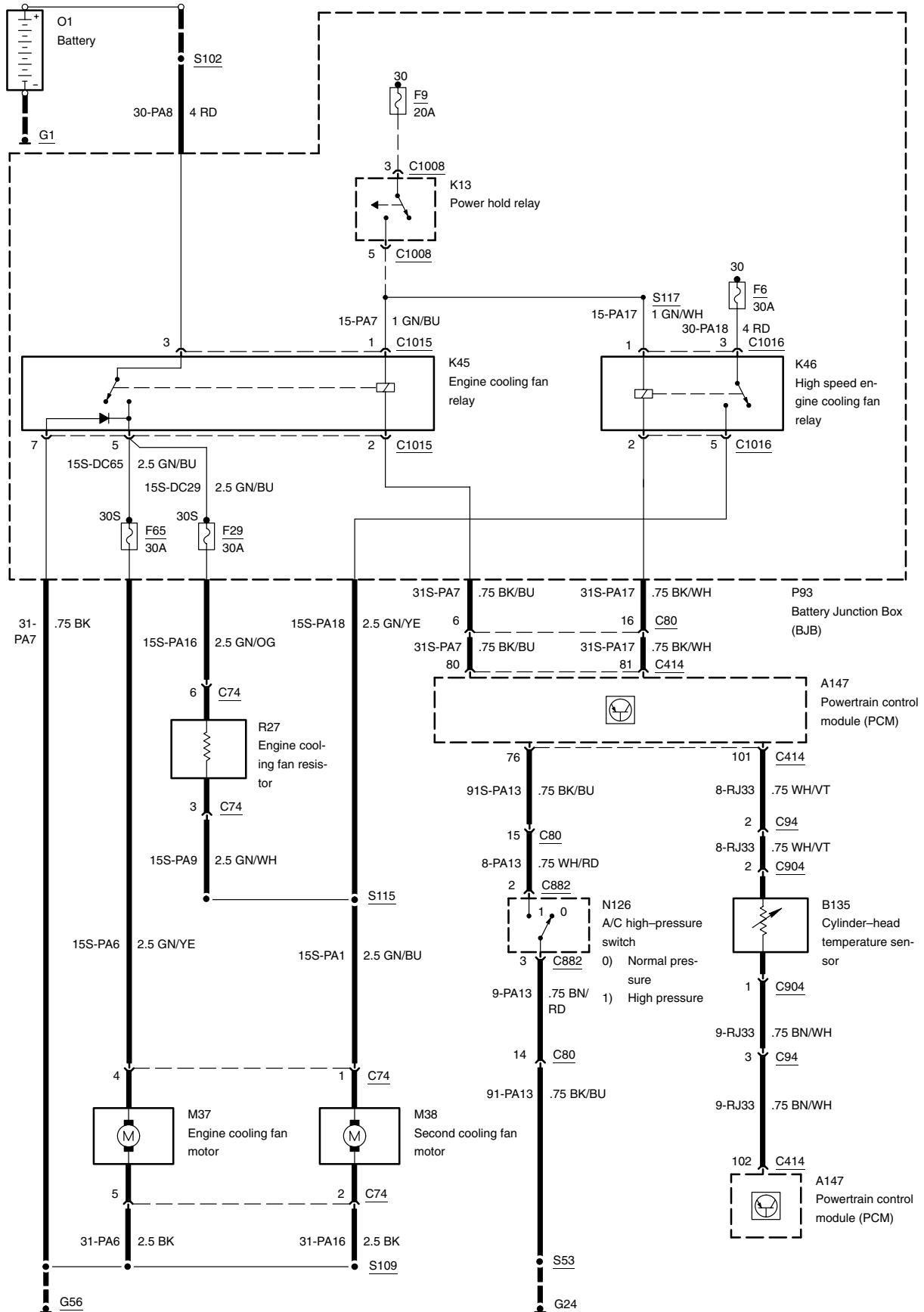
74kW Duratorq TDCi, 85kW Duratorq TDCi as of 08/2002, without air conditioning



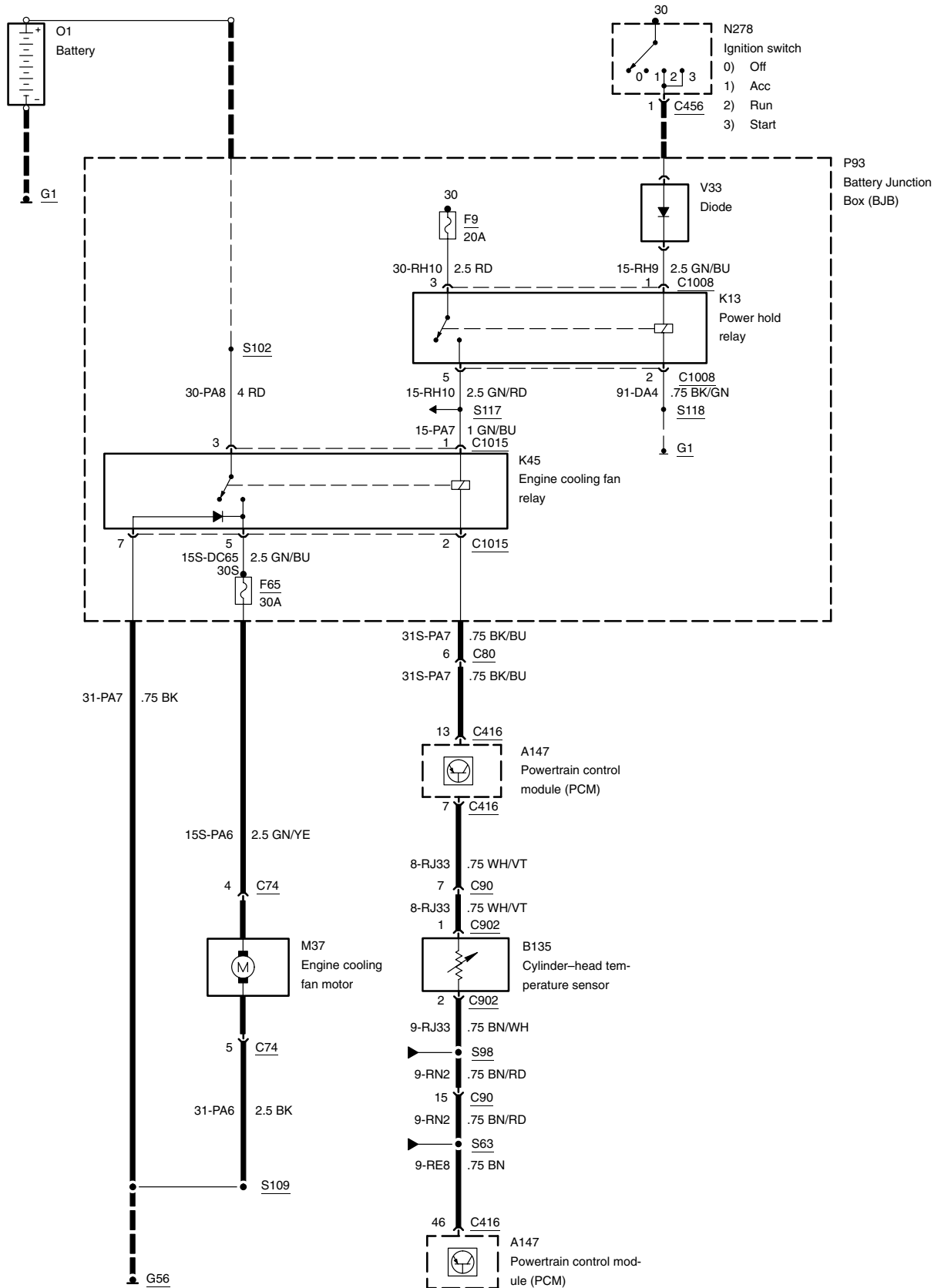
Endura-TDDi, 85kW Duratorq TDCi before 08/2002, with air conditioning



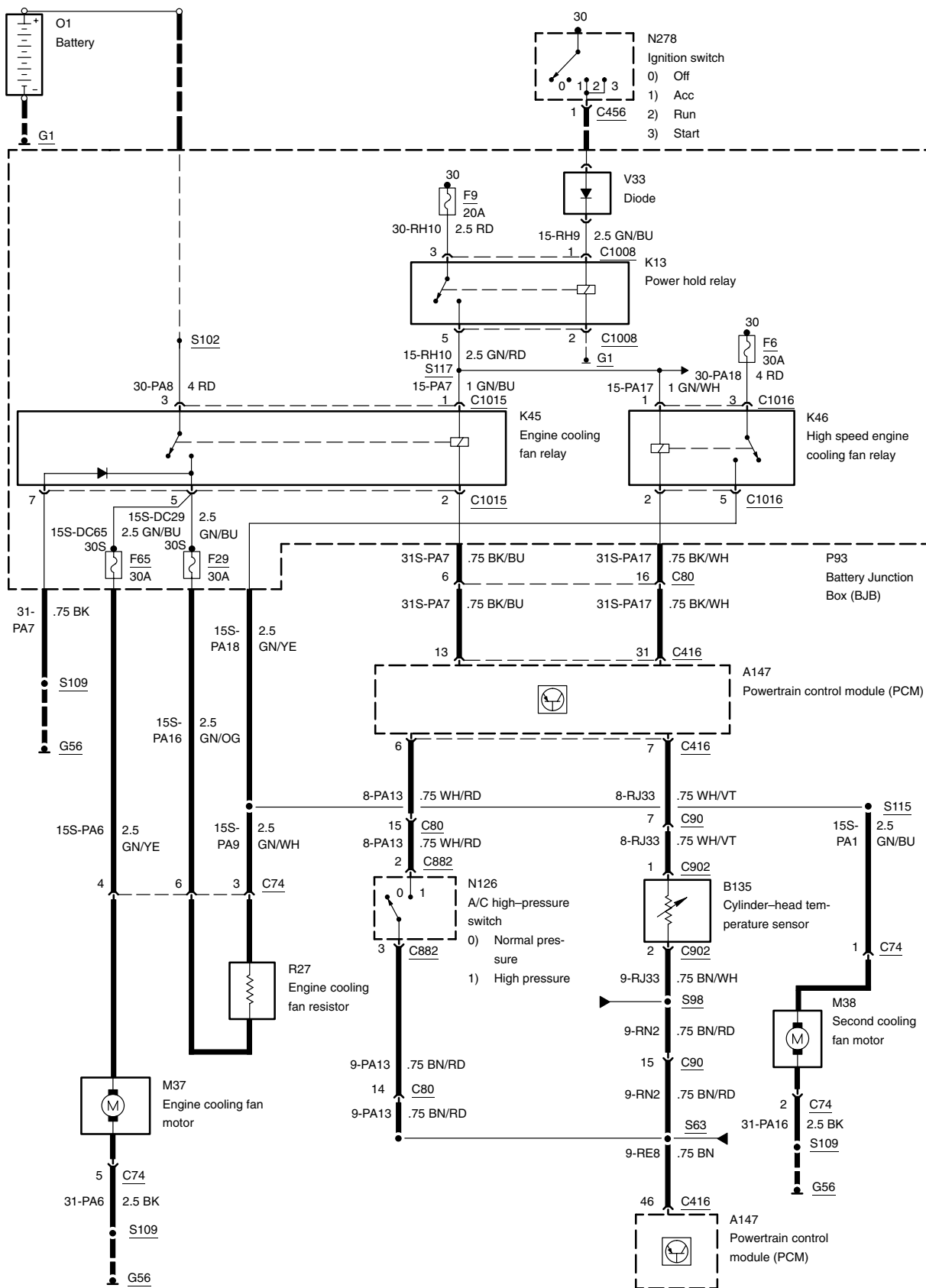
74kW Duratorq TDCi, 85kW Duratorq TDCi as of 08/2002, with air conditioning



Duratec 8V, without air conditioning

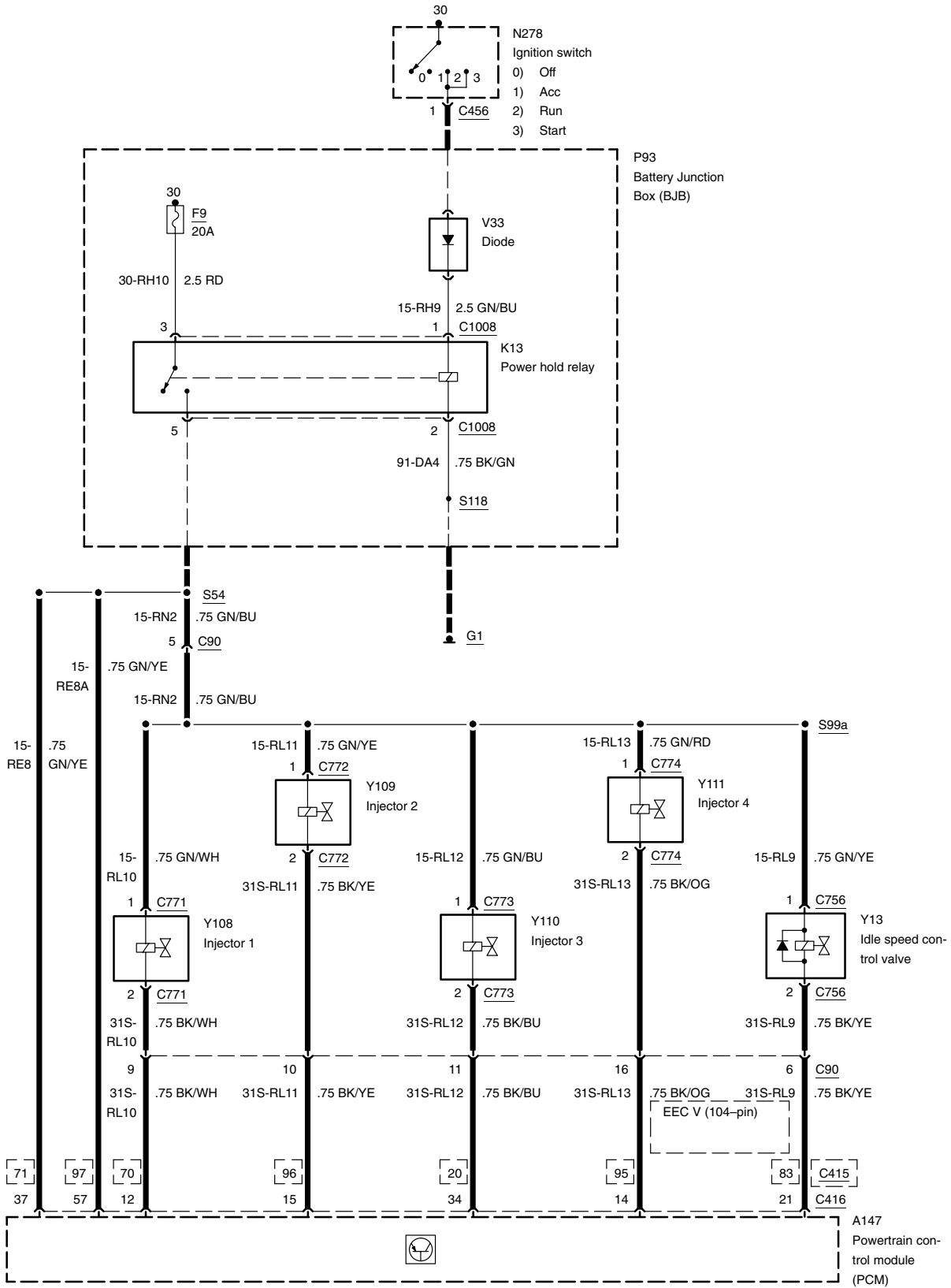


Duratec 8V, with air conditioning

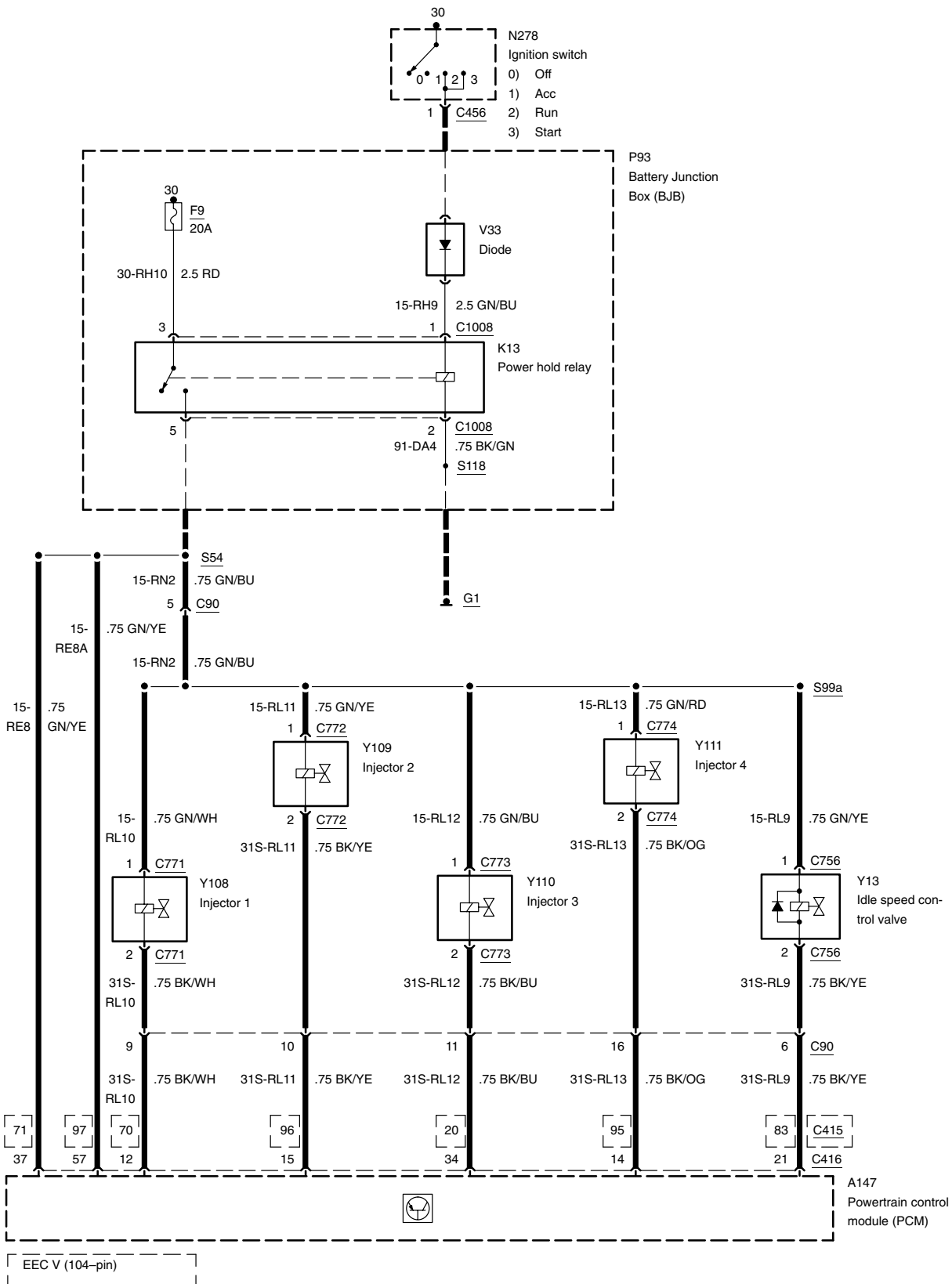




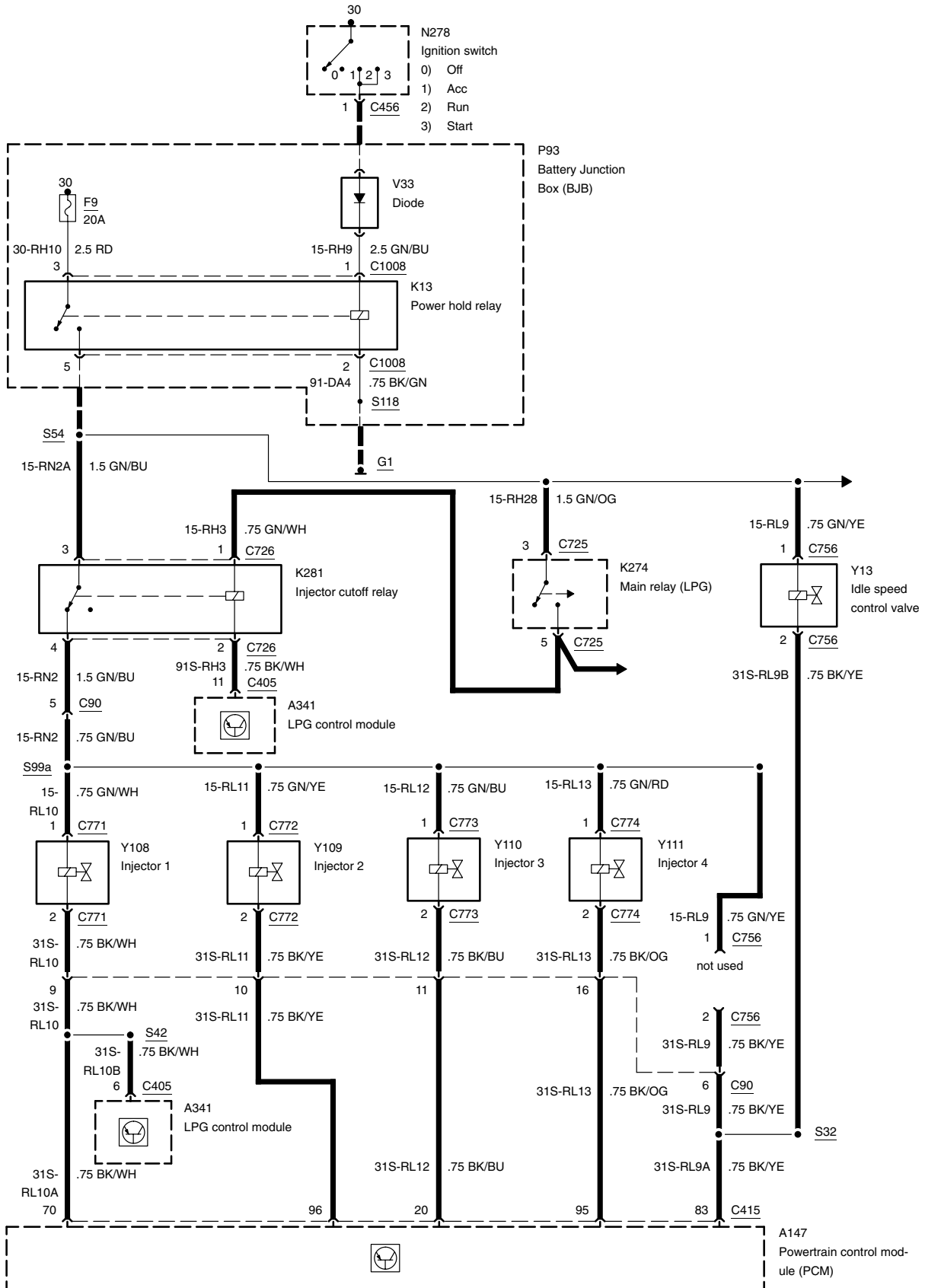


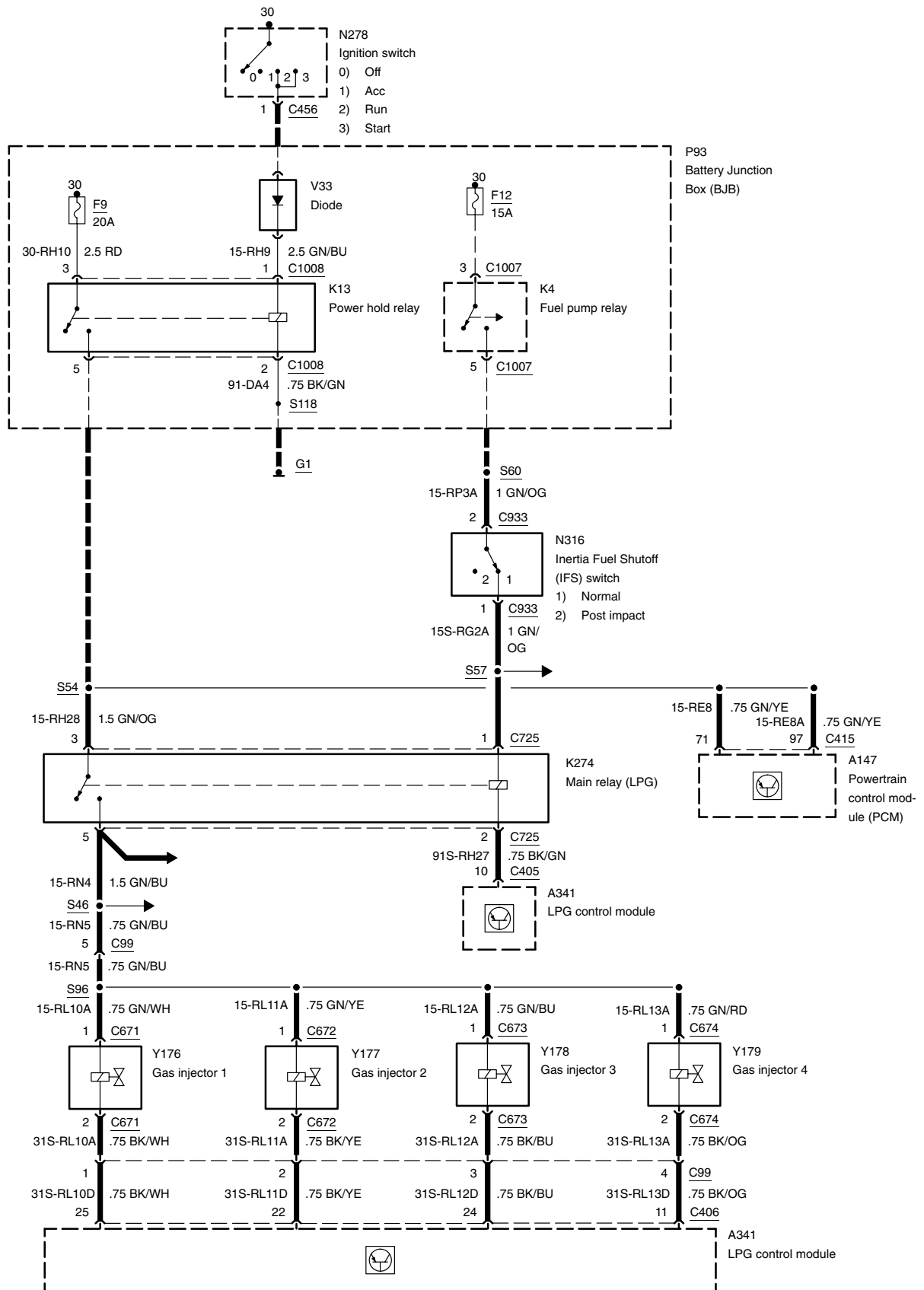




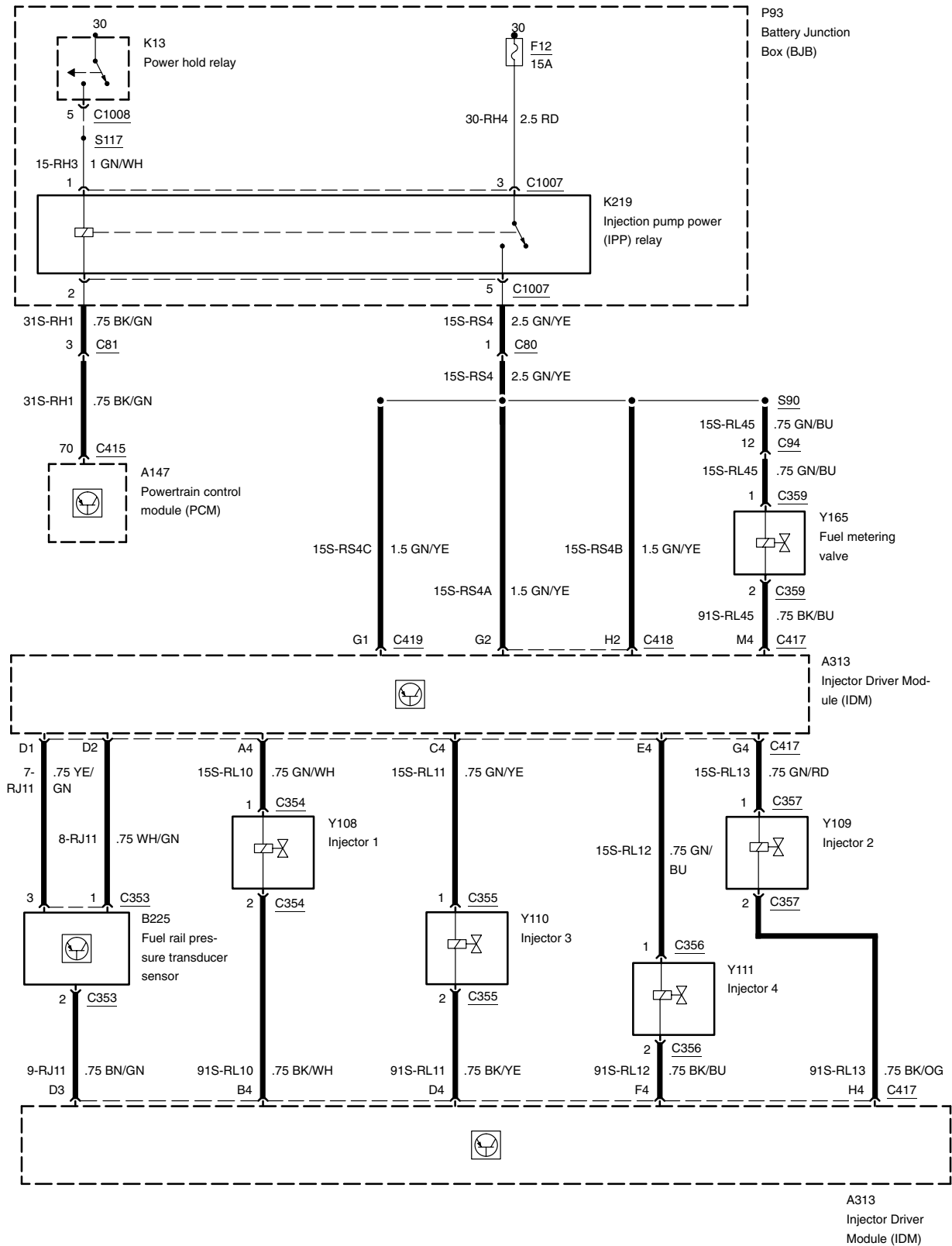






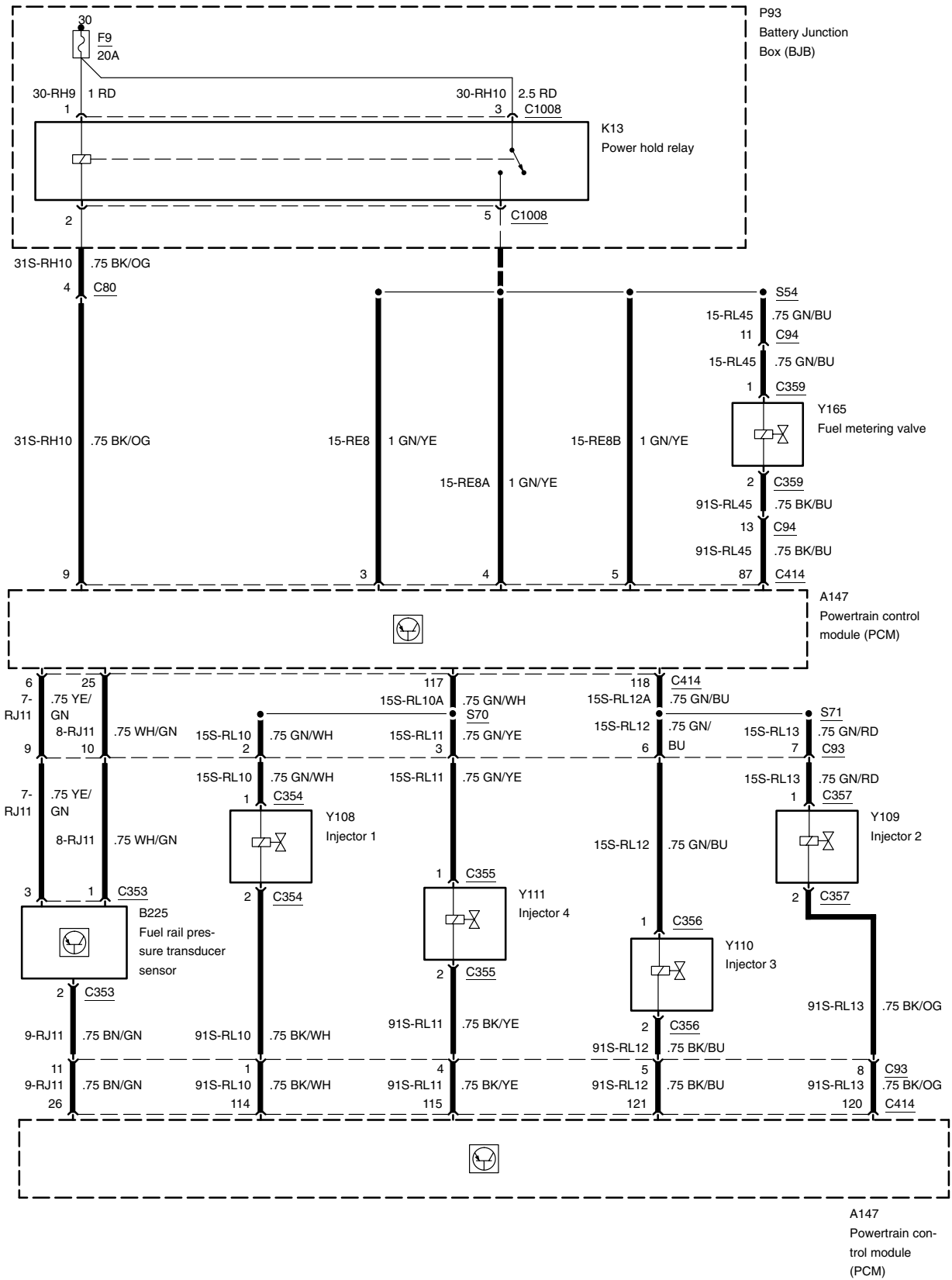


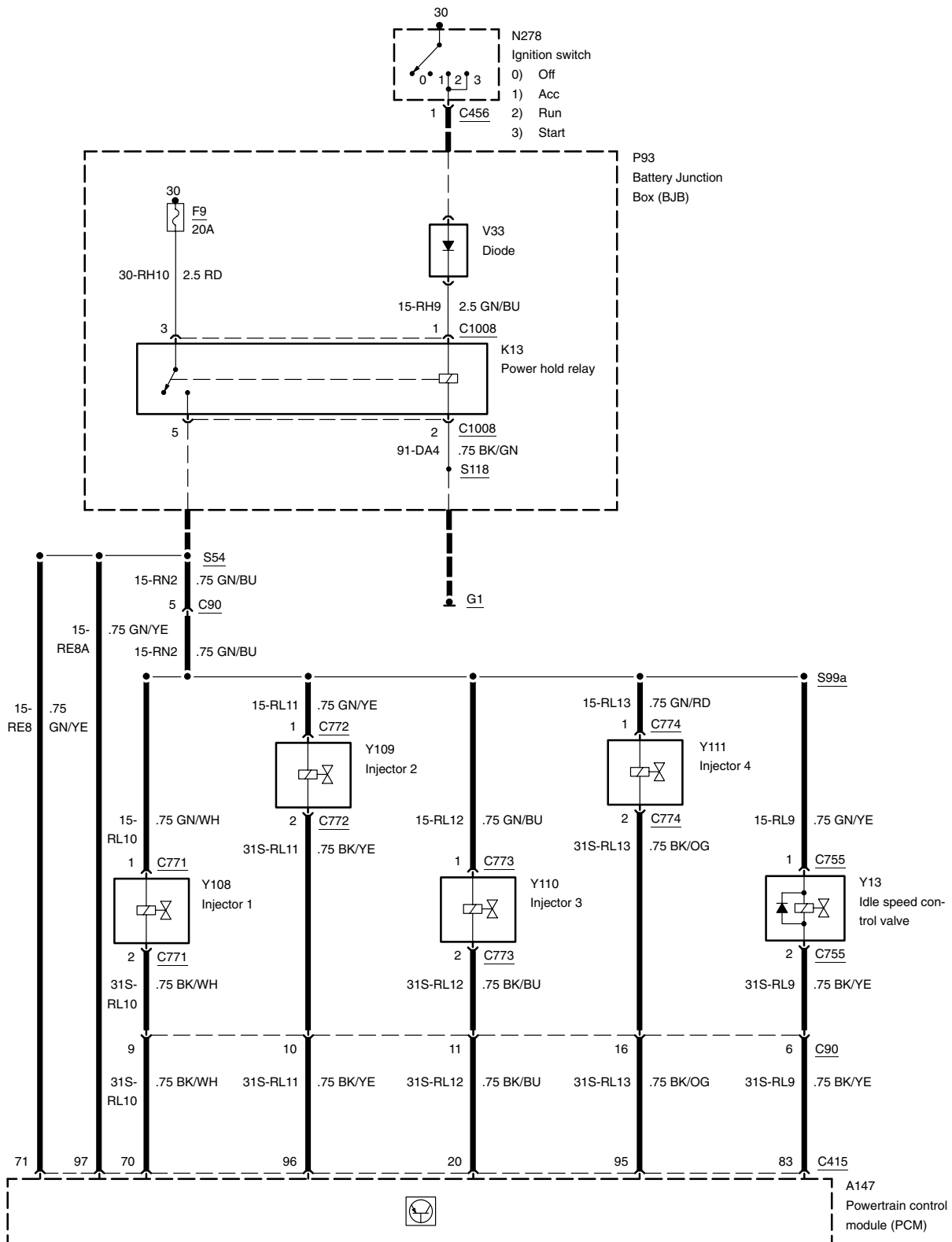
85kW Duratorq TDCi before 08/2002



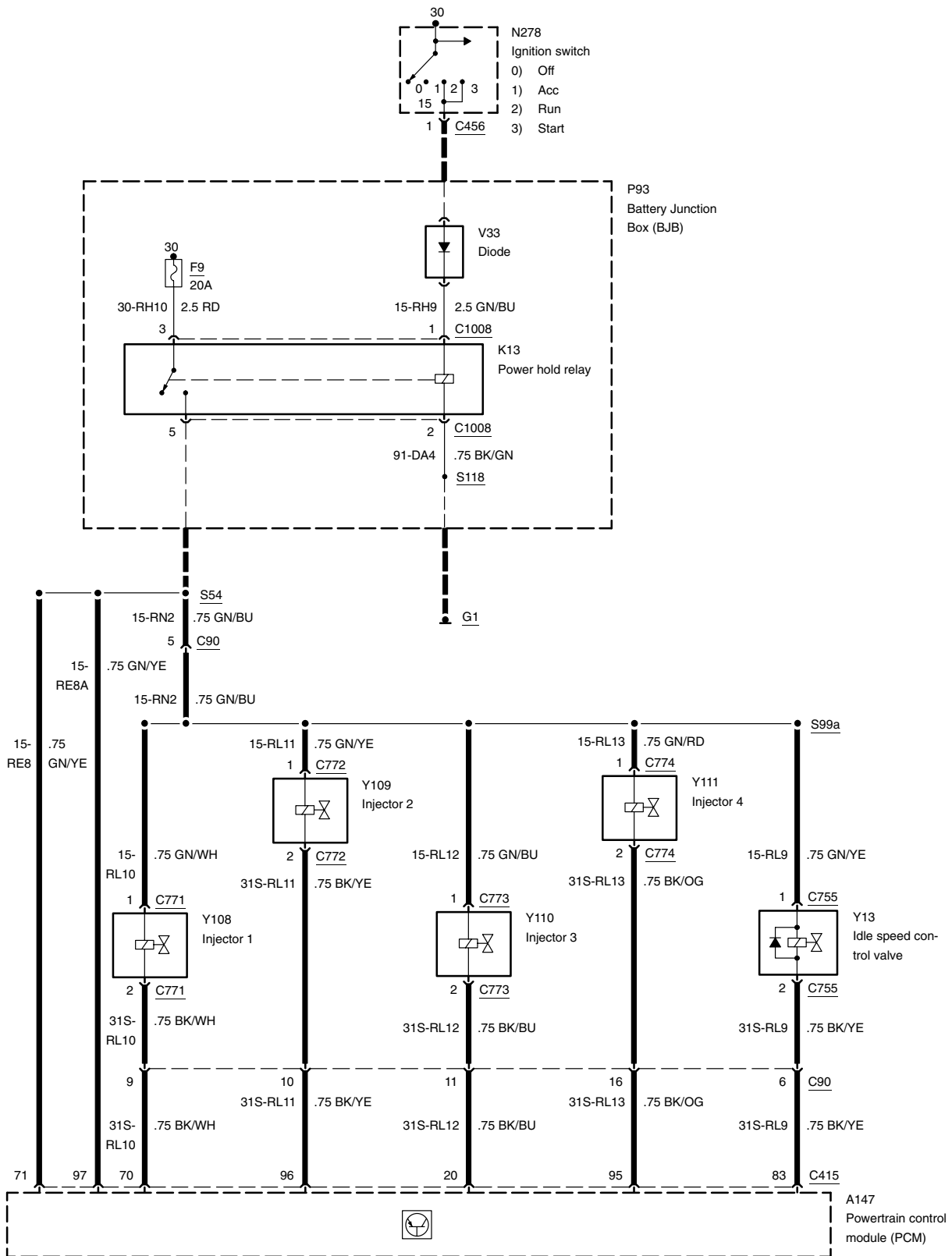


74kW Duratorq TDCi, 85kW Duratorq TDCi as of 08/2002

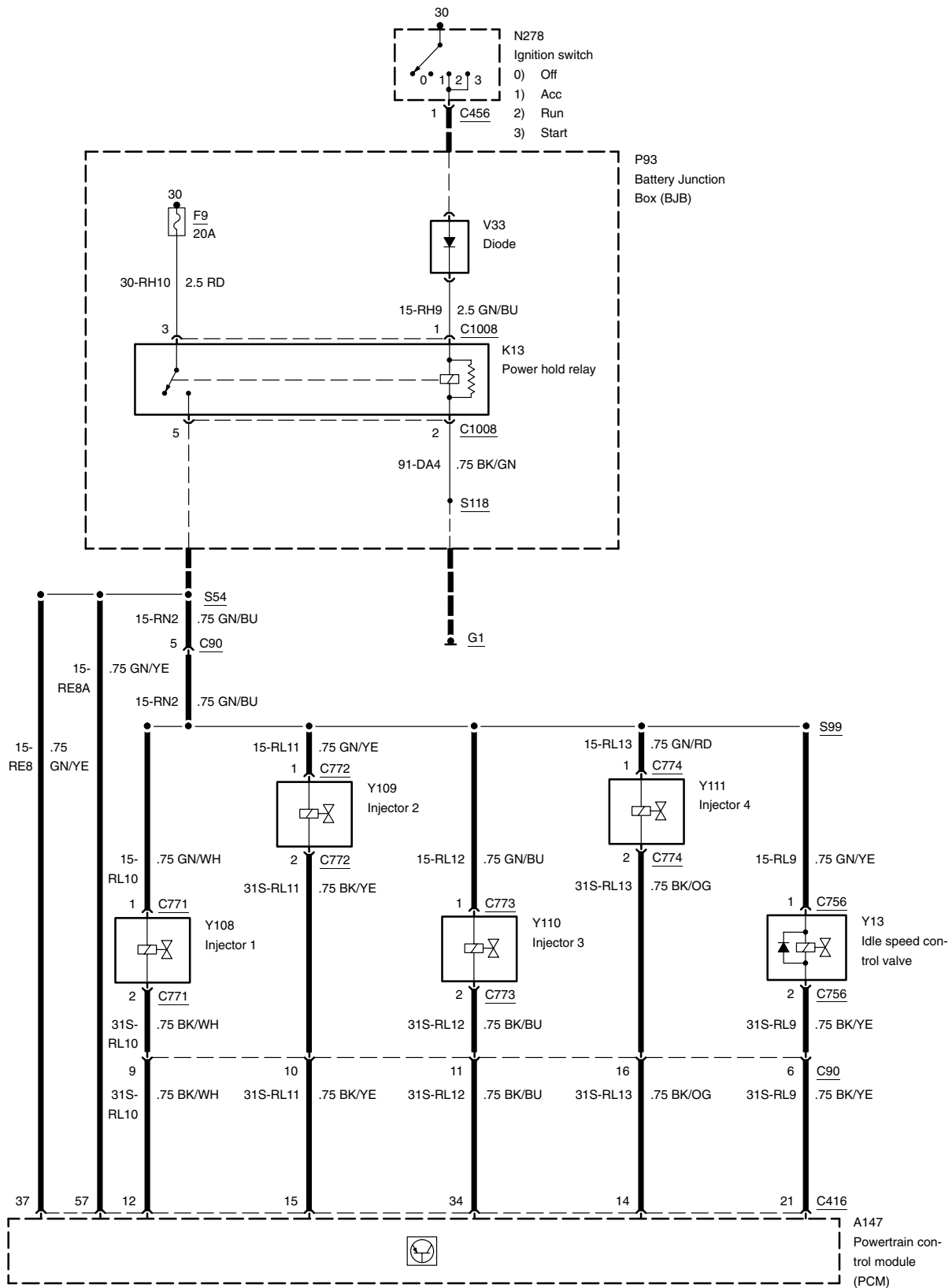






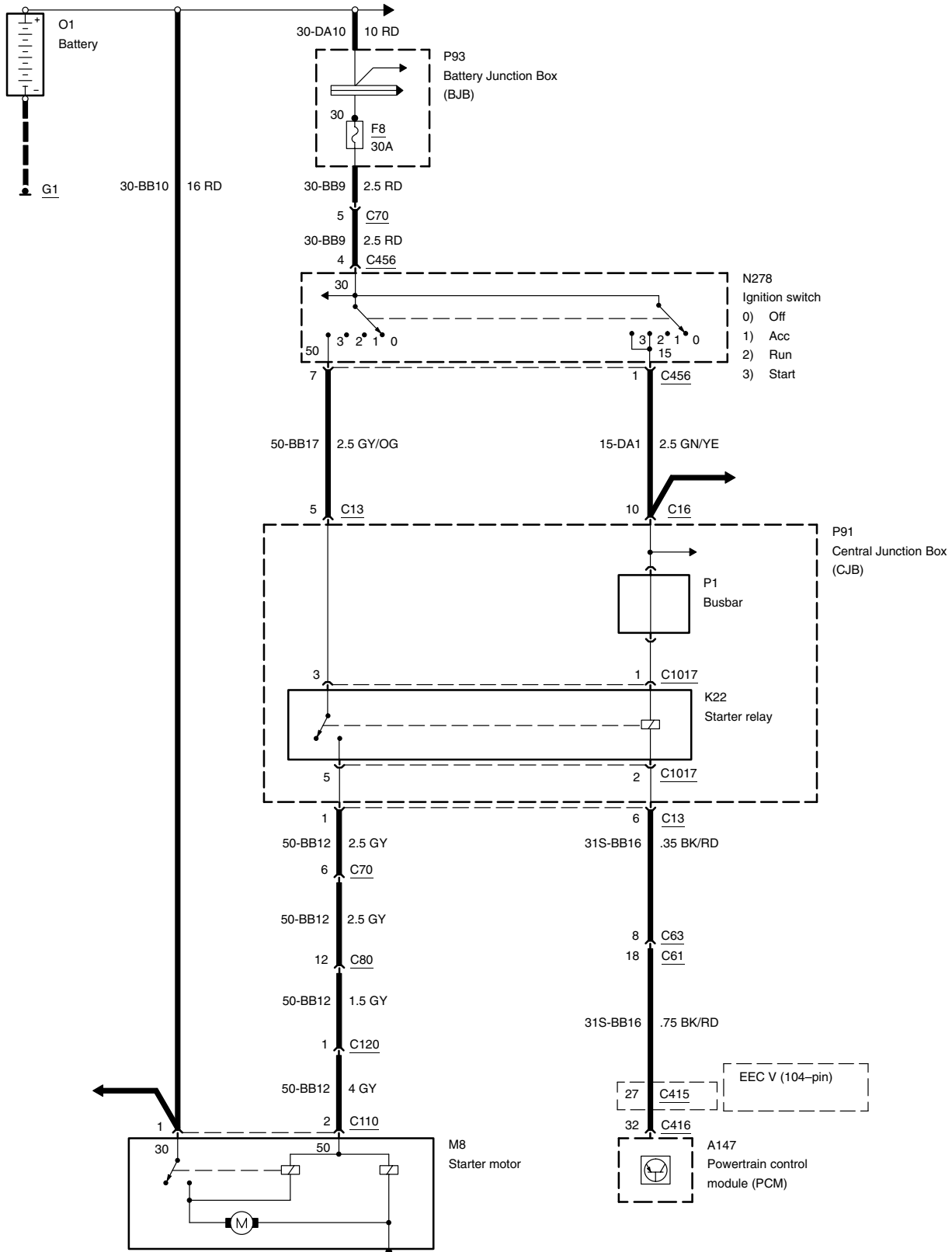






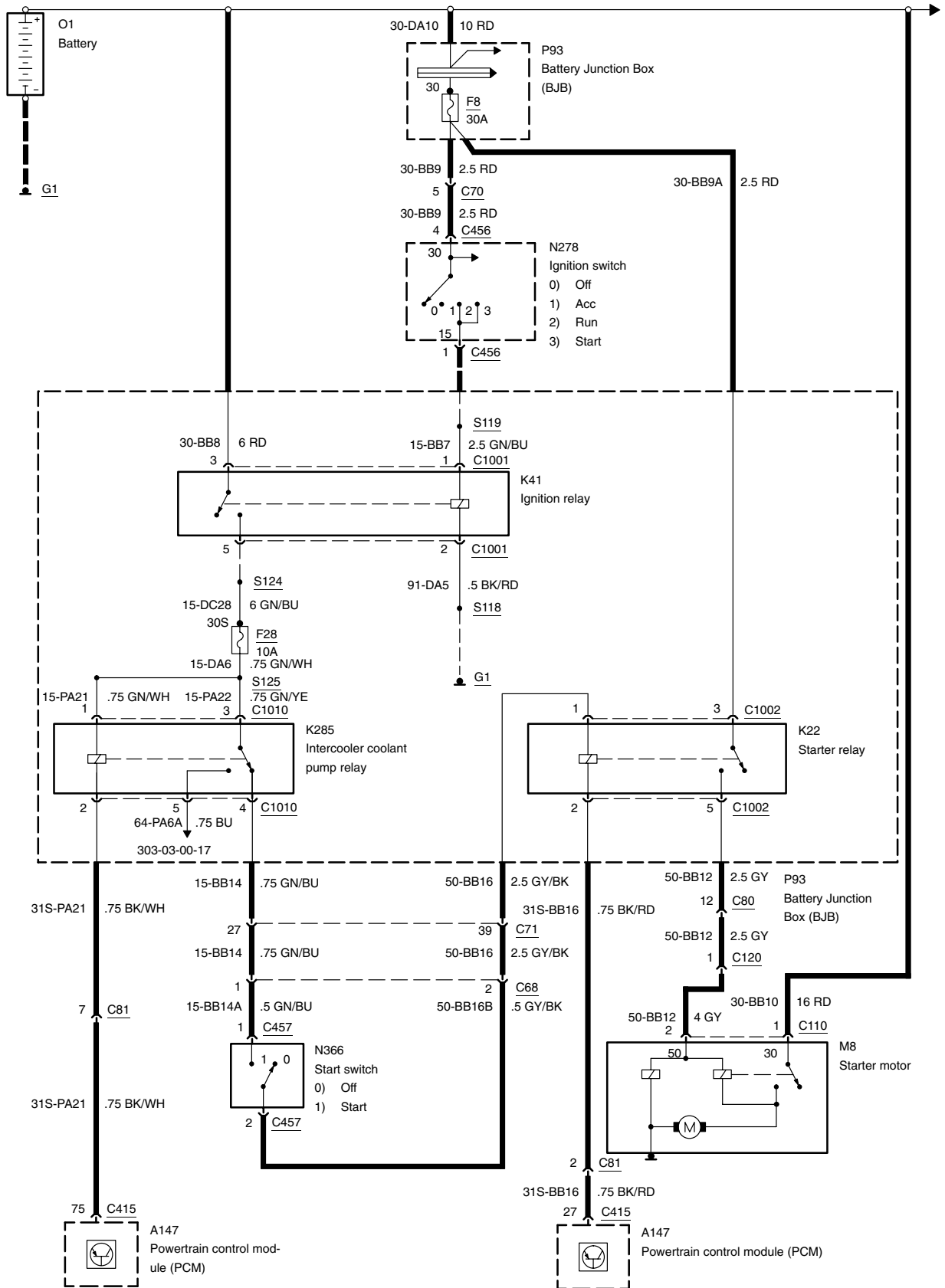


Petrol engines, manual transmission, except Duratec-RS

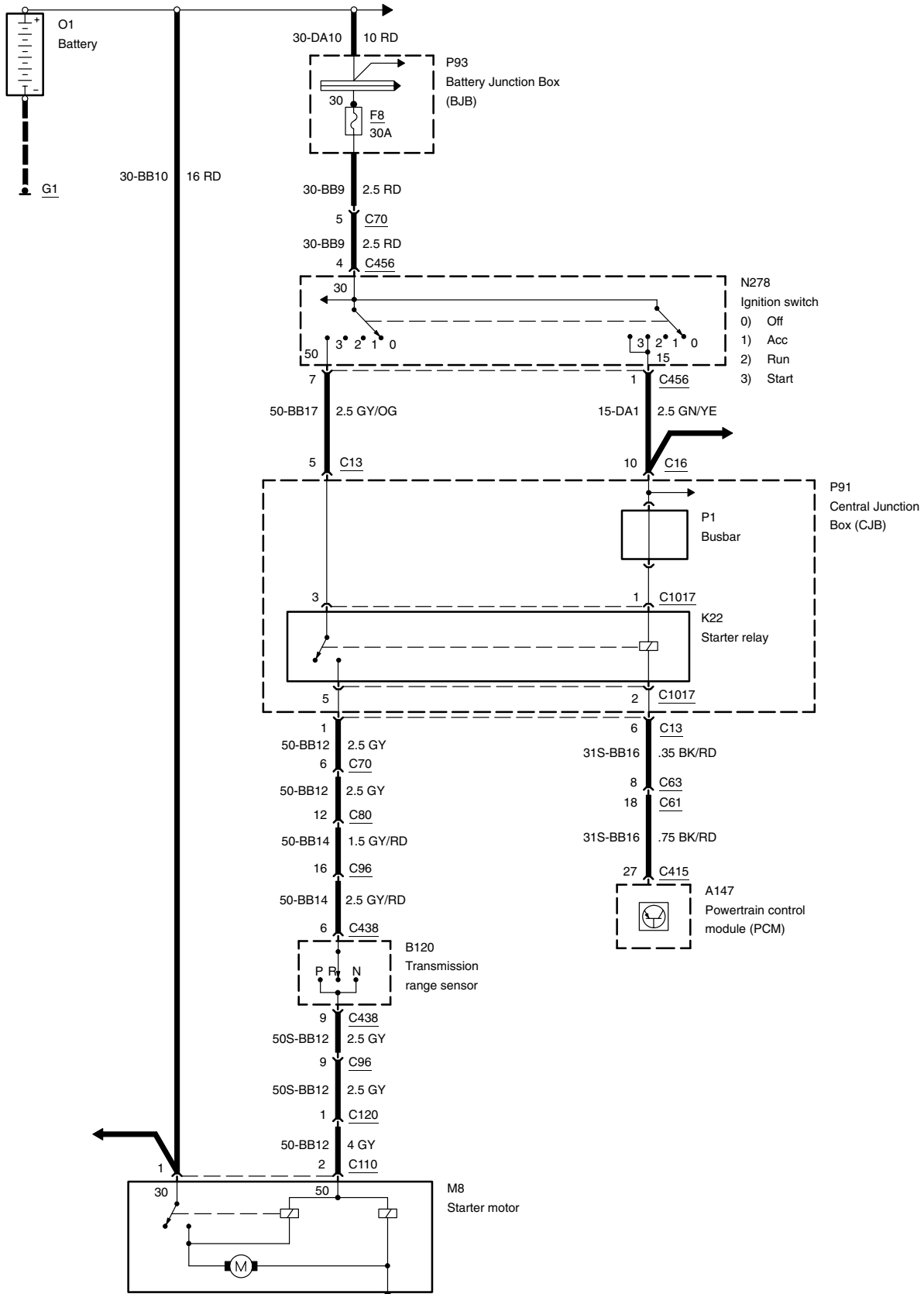




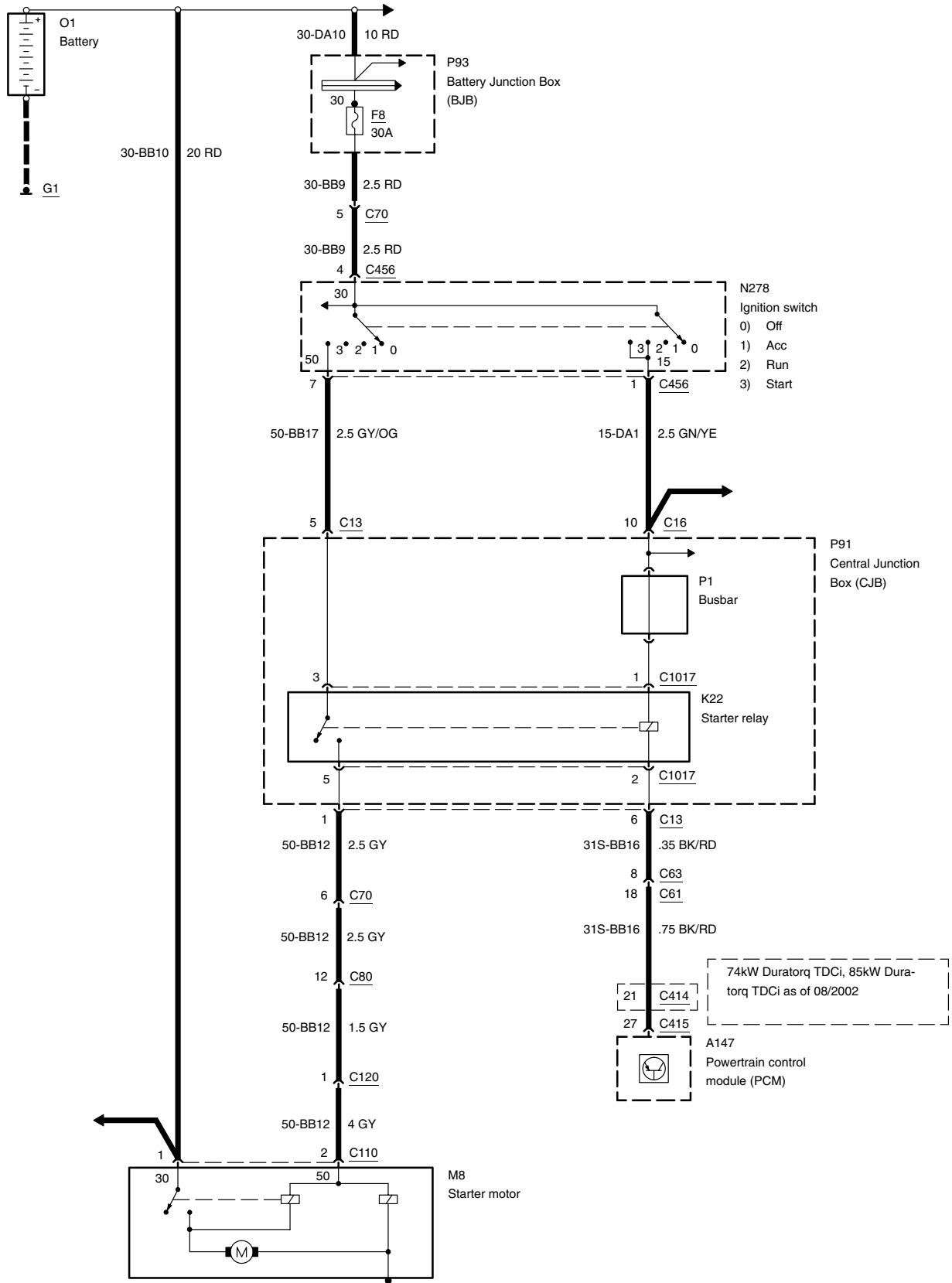
Petrol engines, manual transmission, Duratec-RS

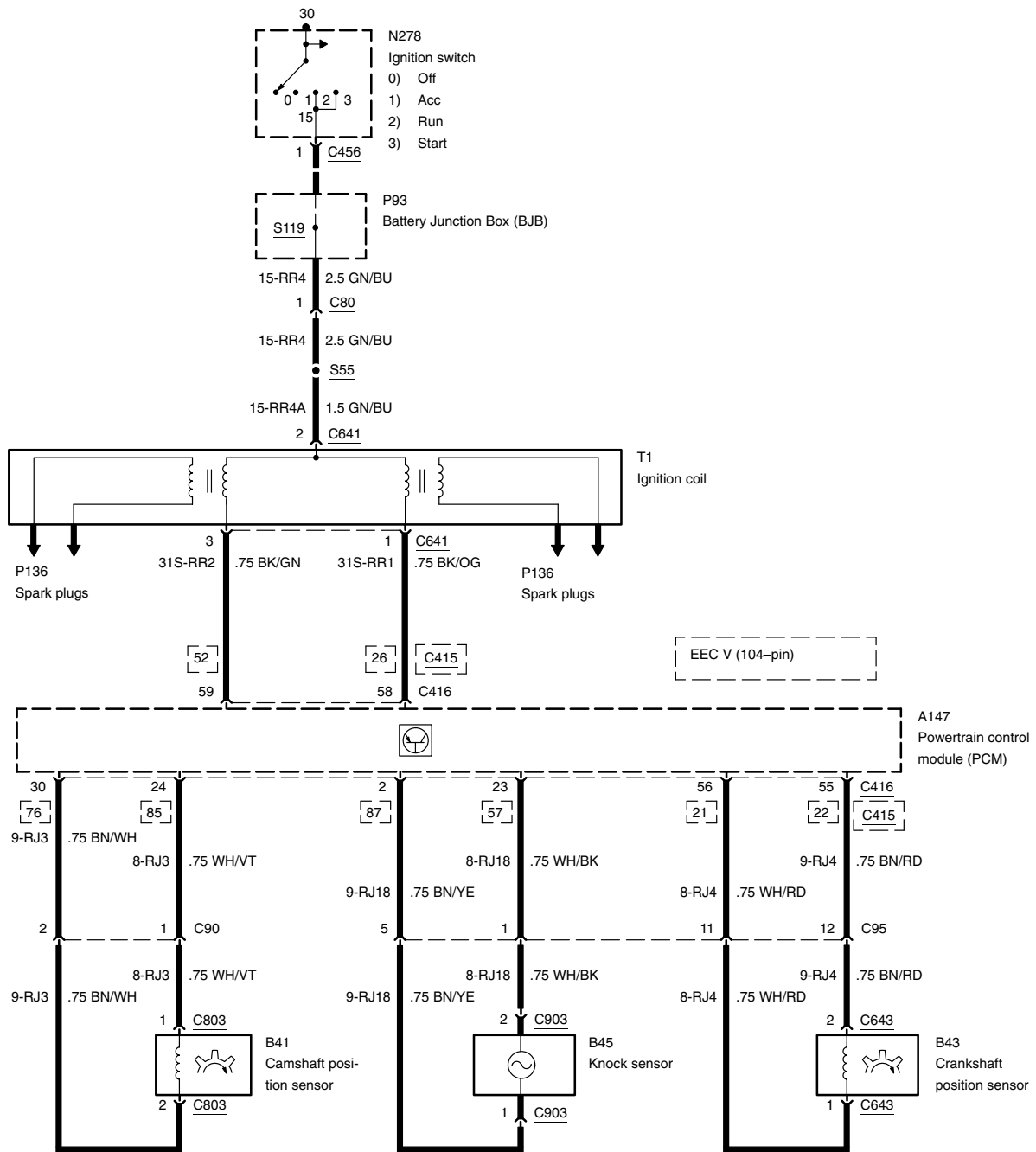


Petrol engines, automatic transmission

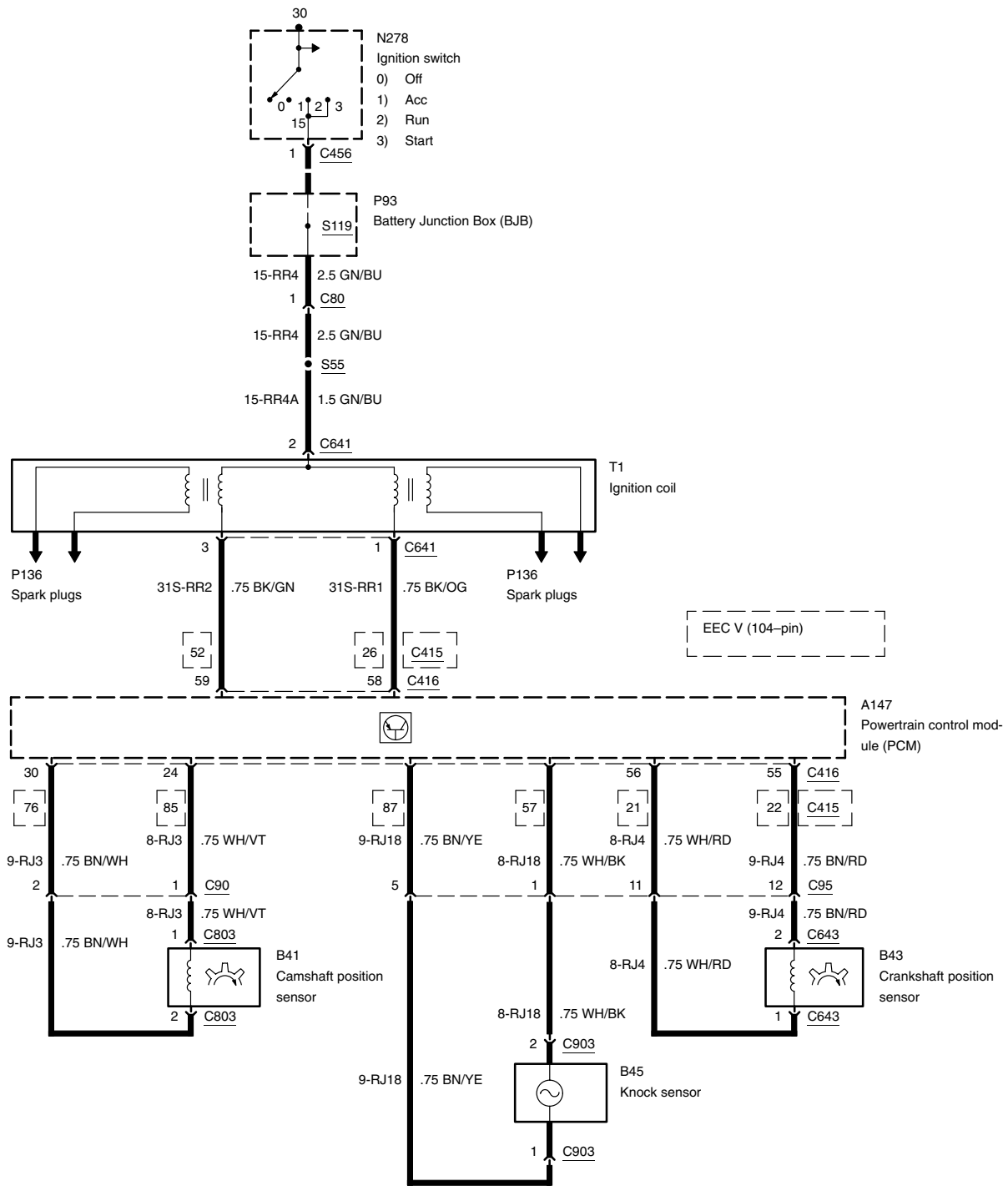


Diesel engines

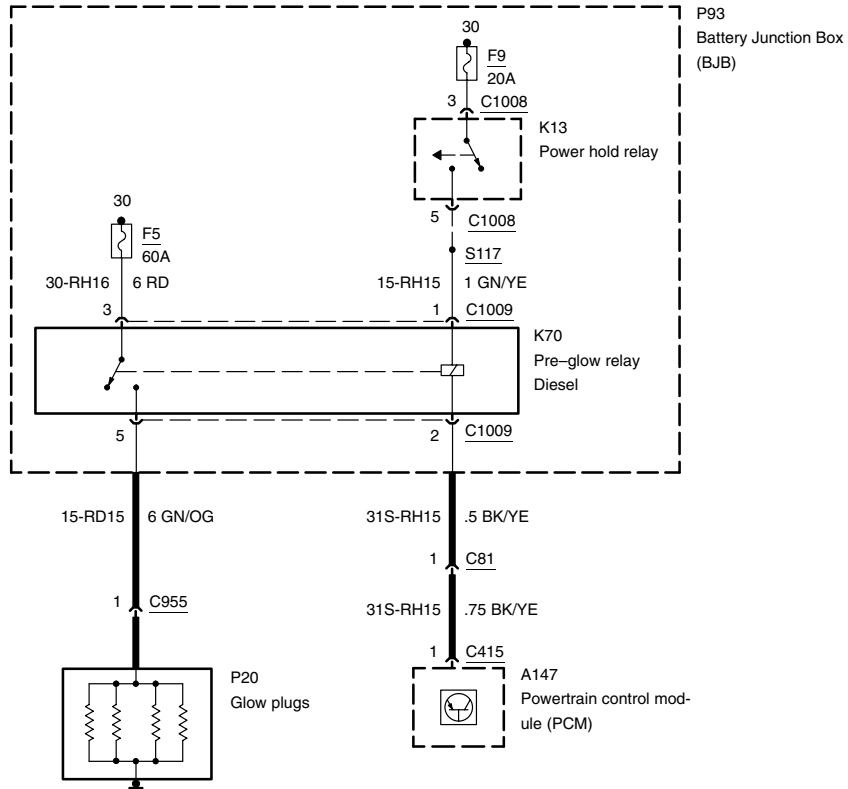






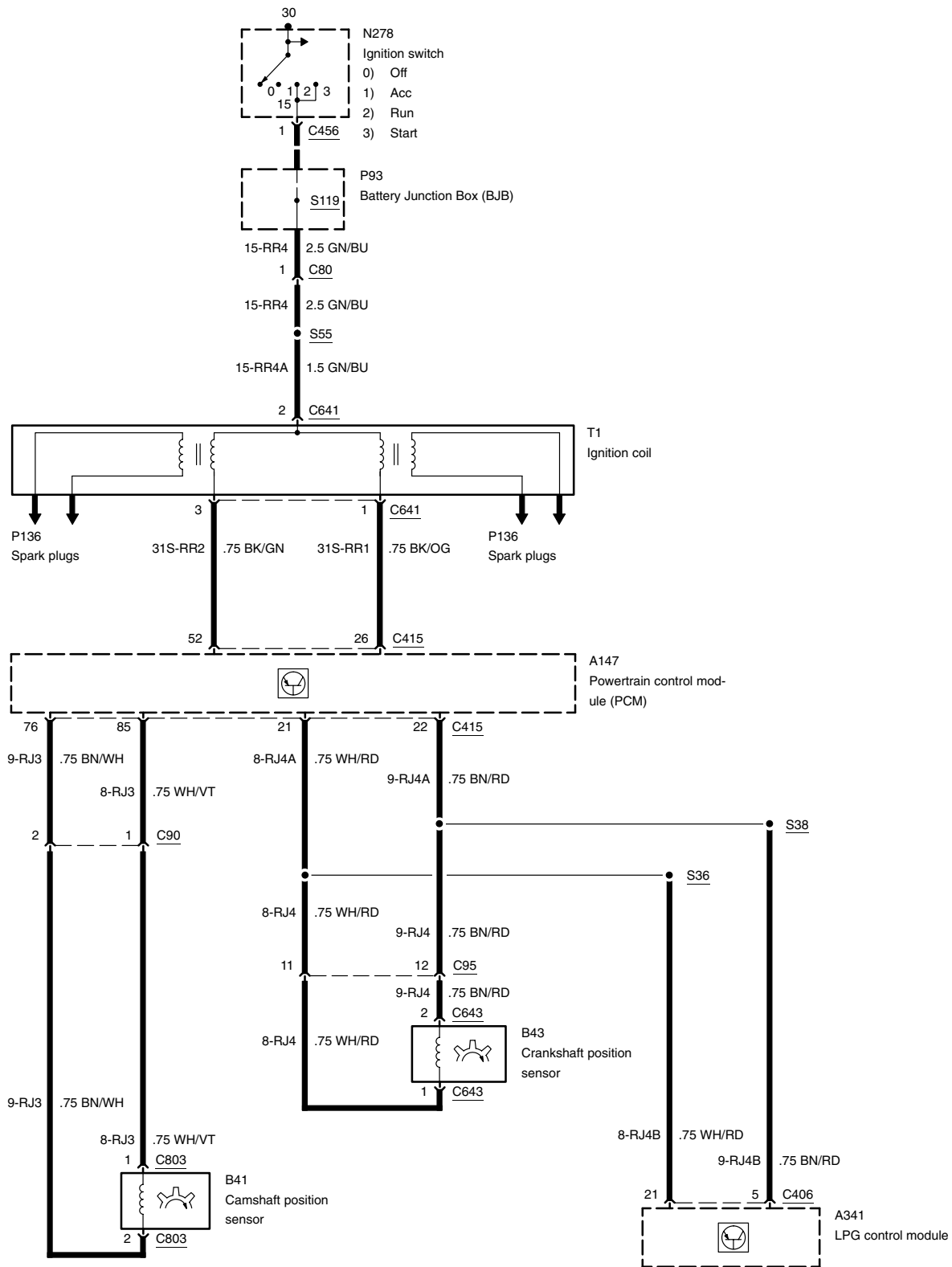




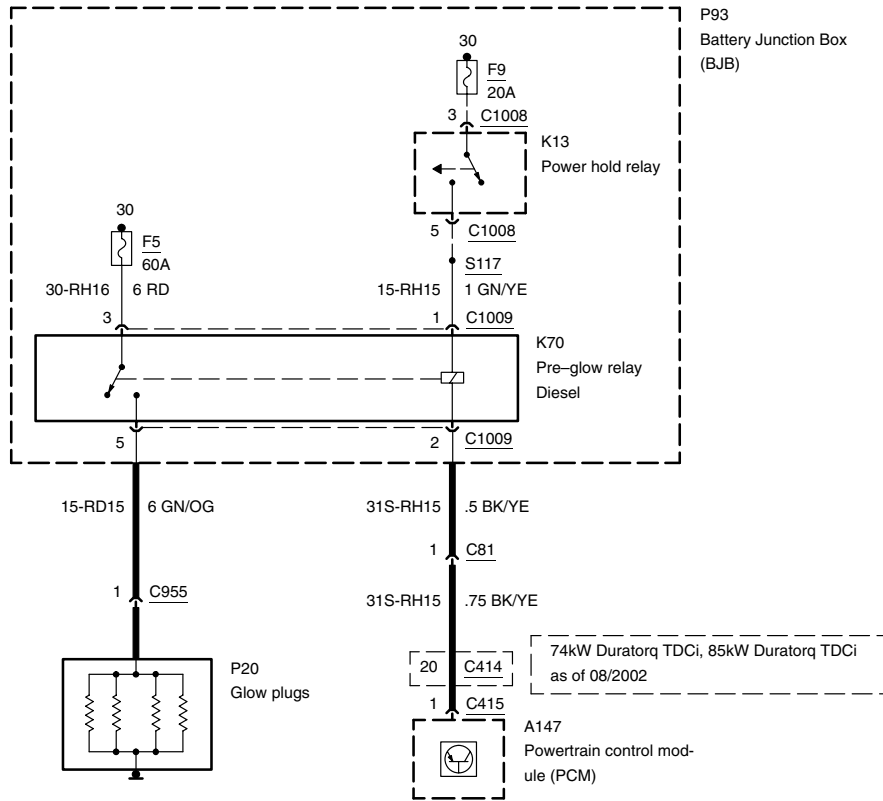




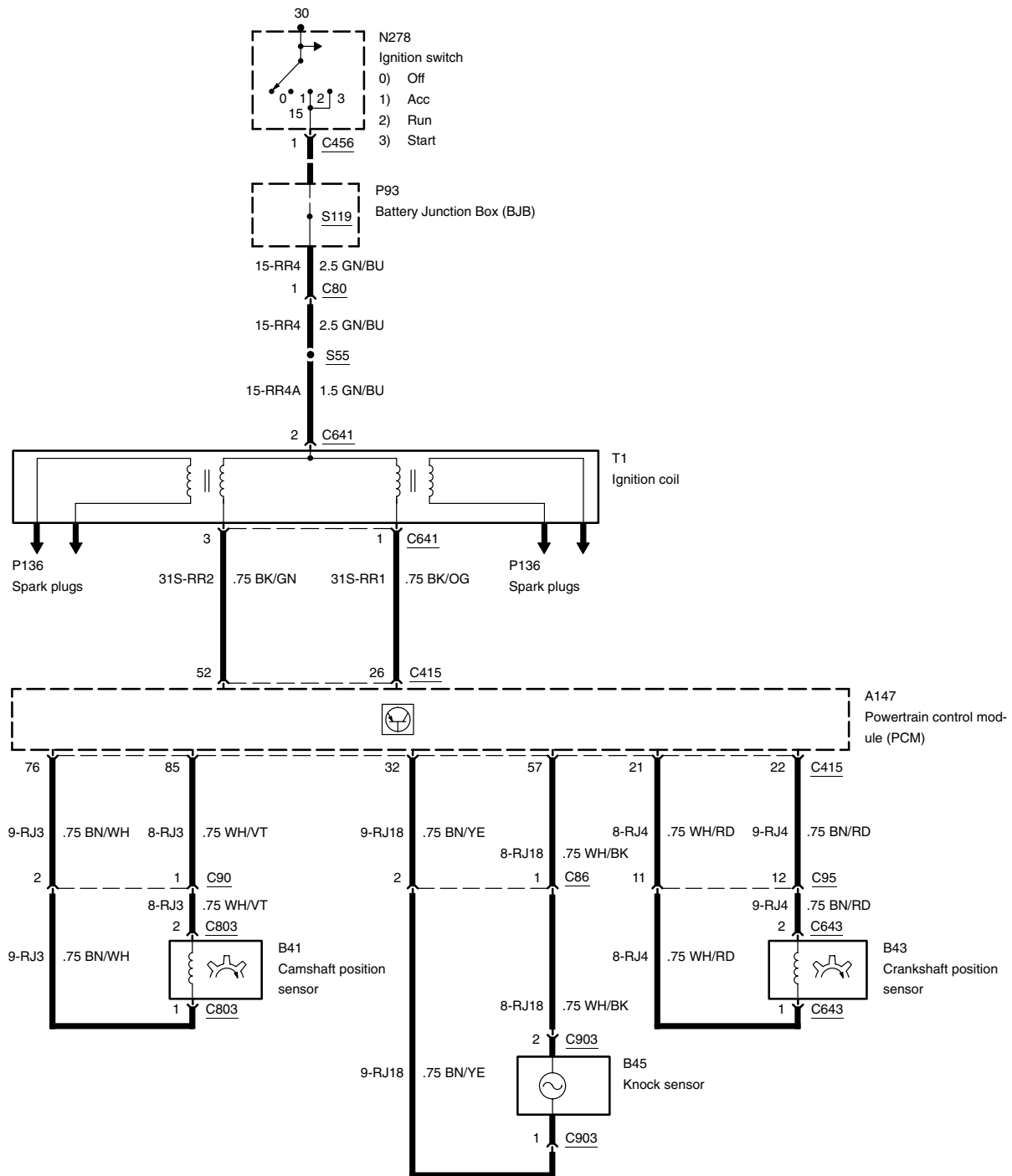




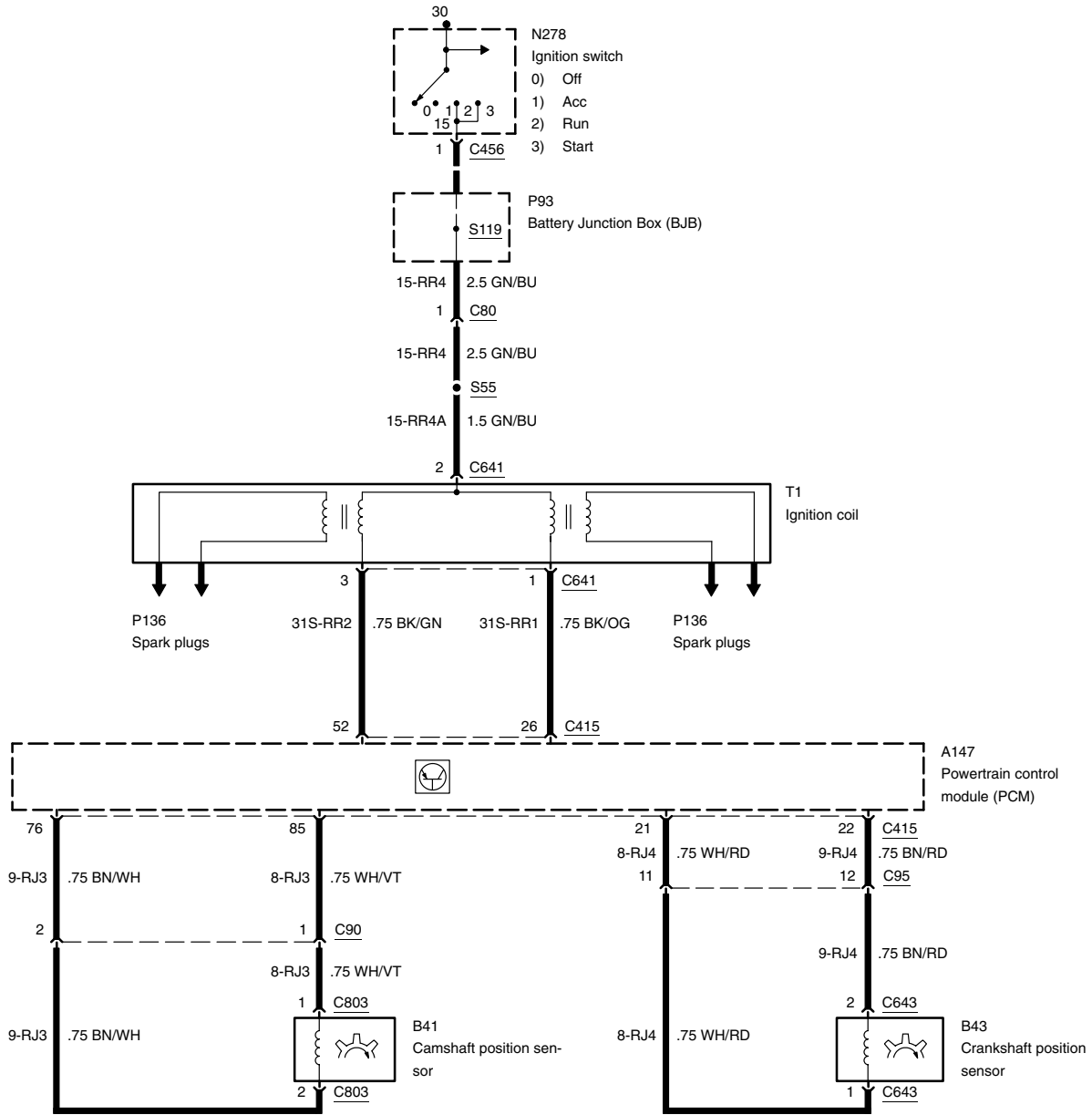






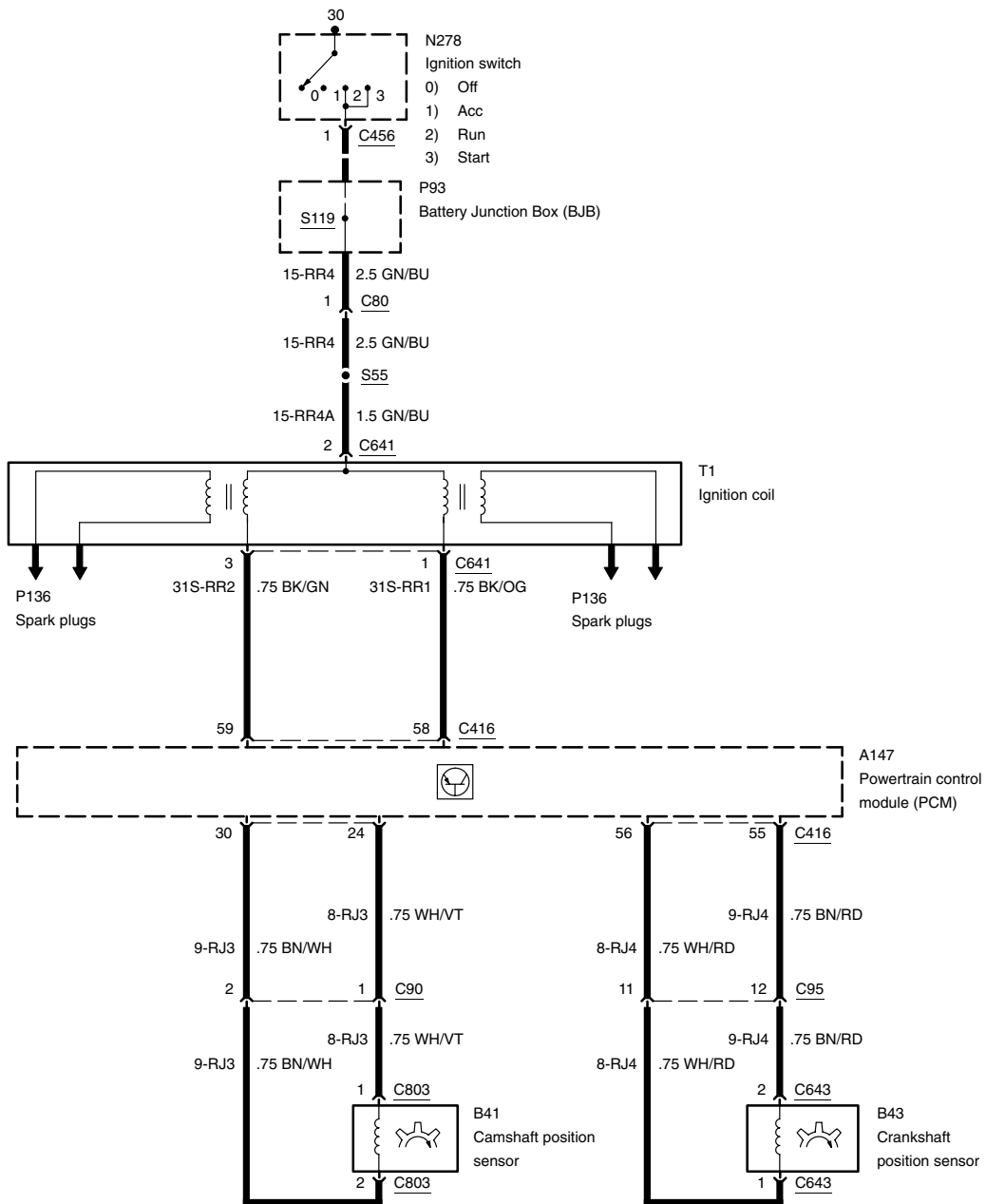






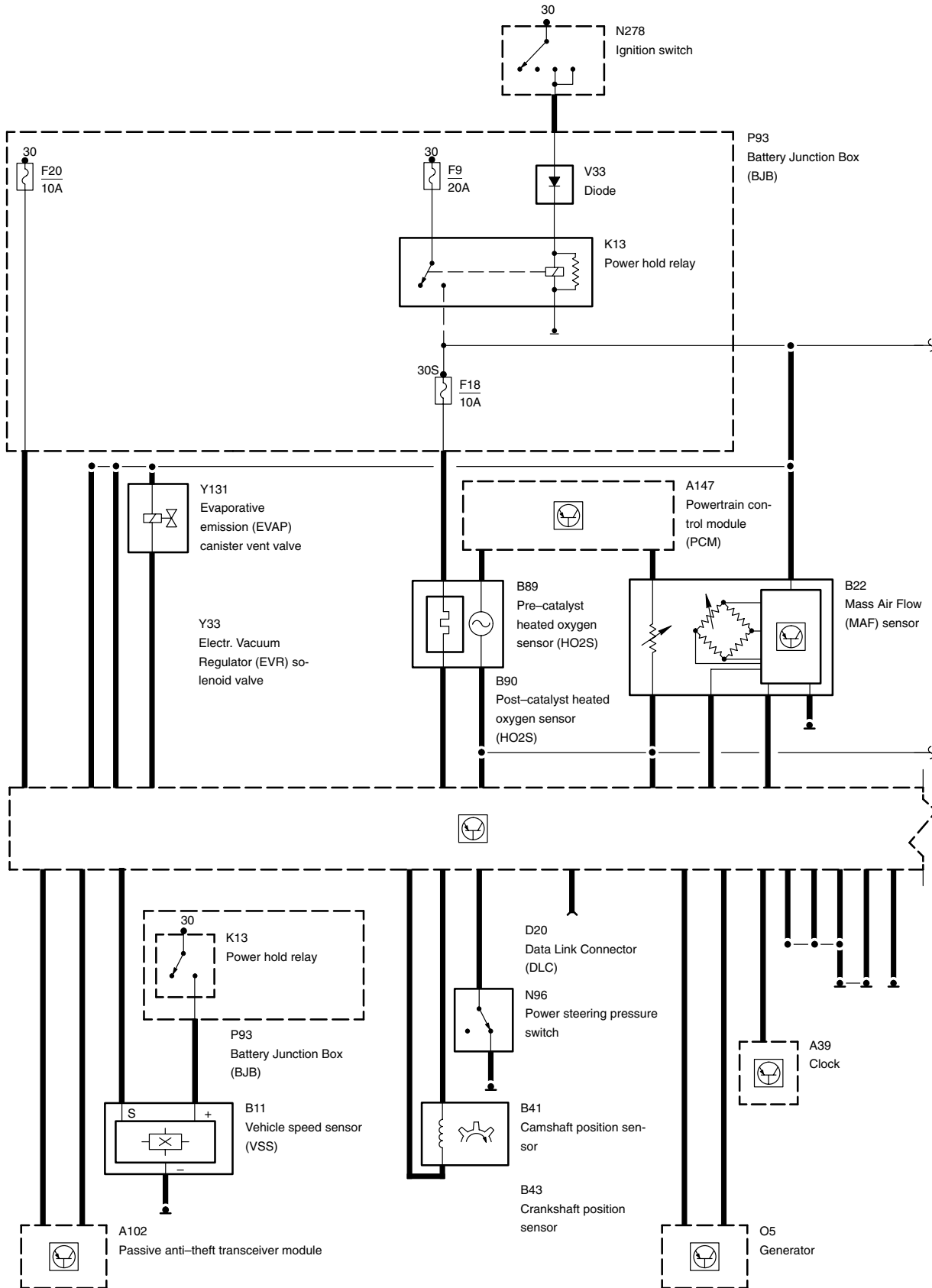




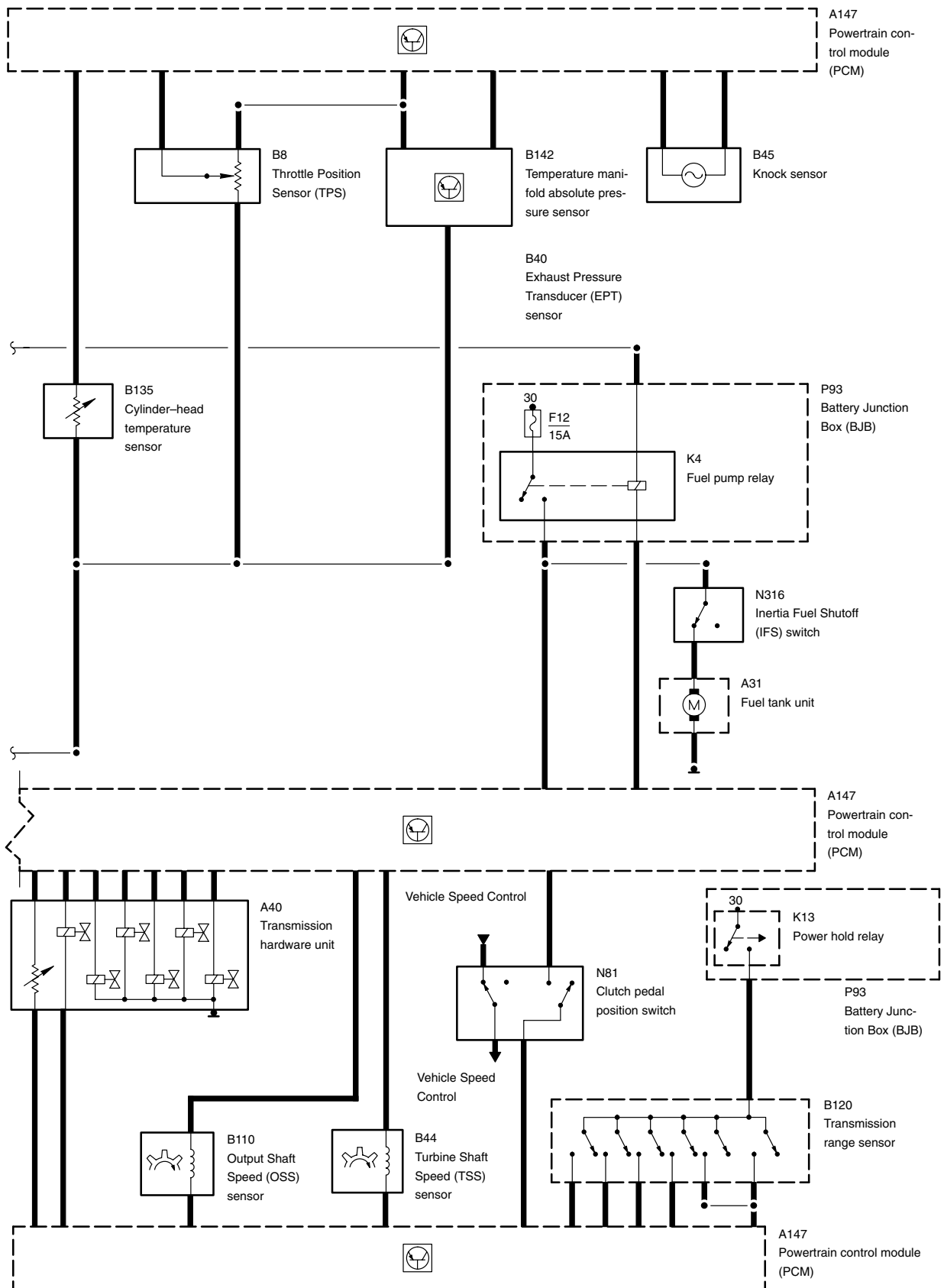




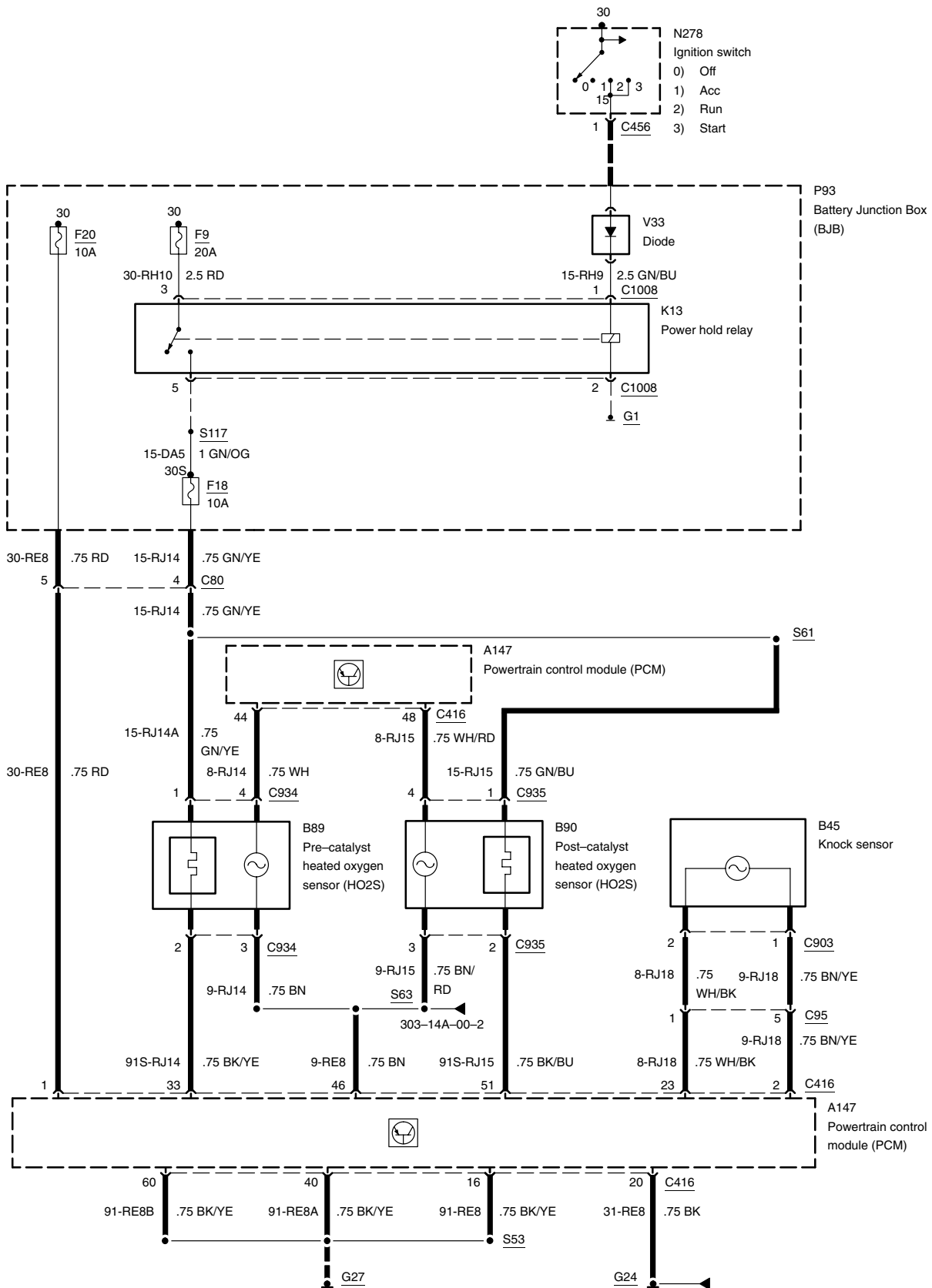
-A



-B

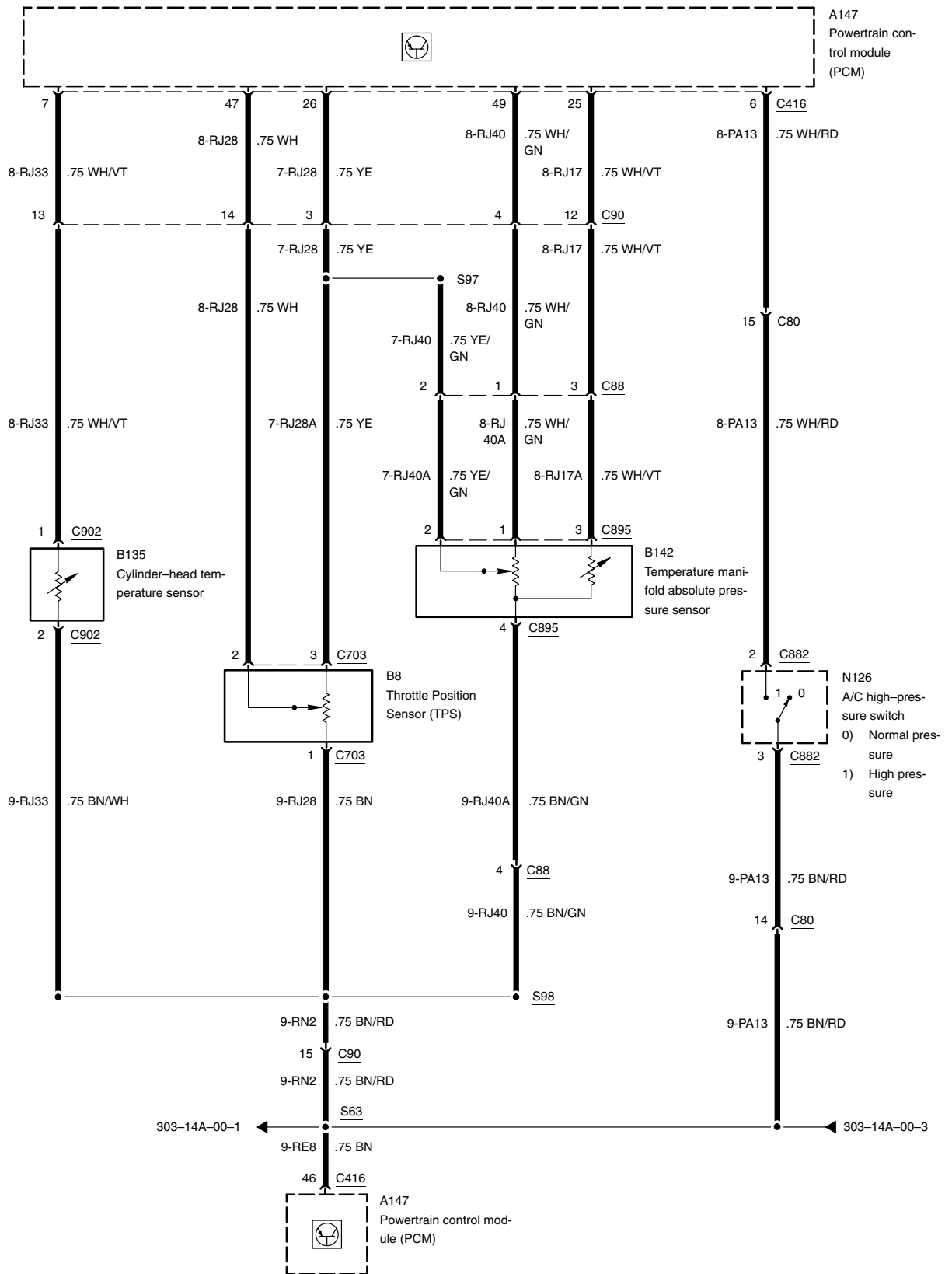


manual transmission

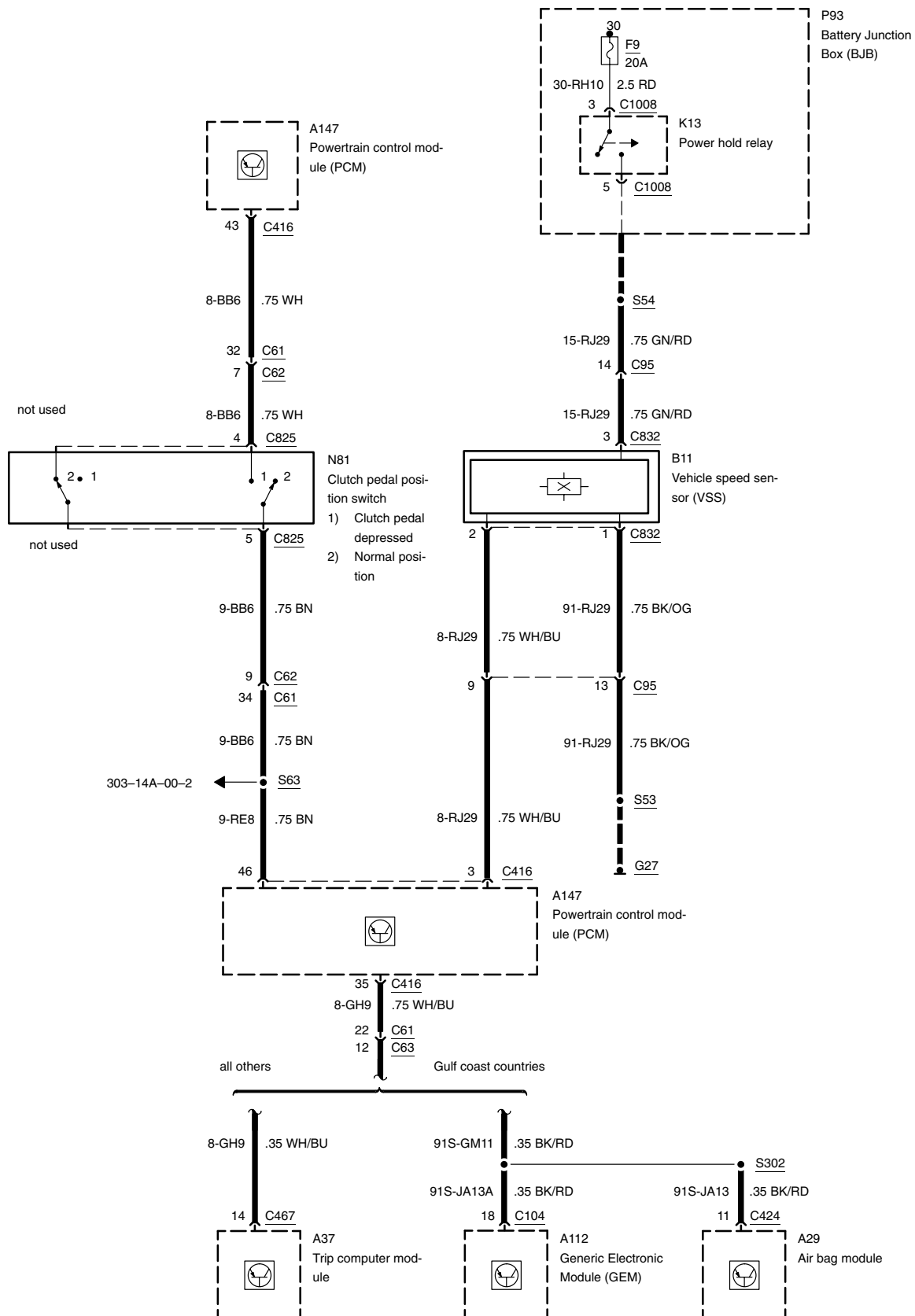


manual transmission

-2

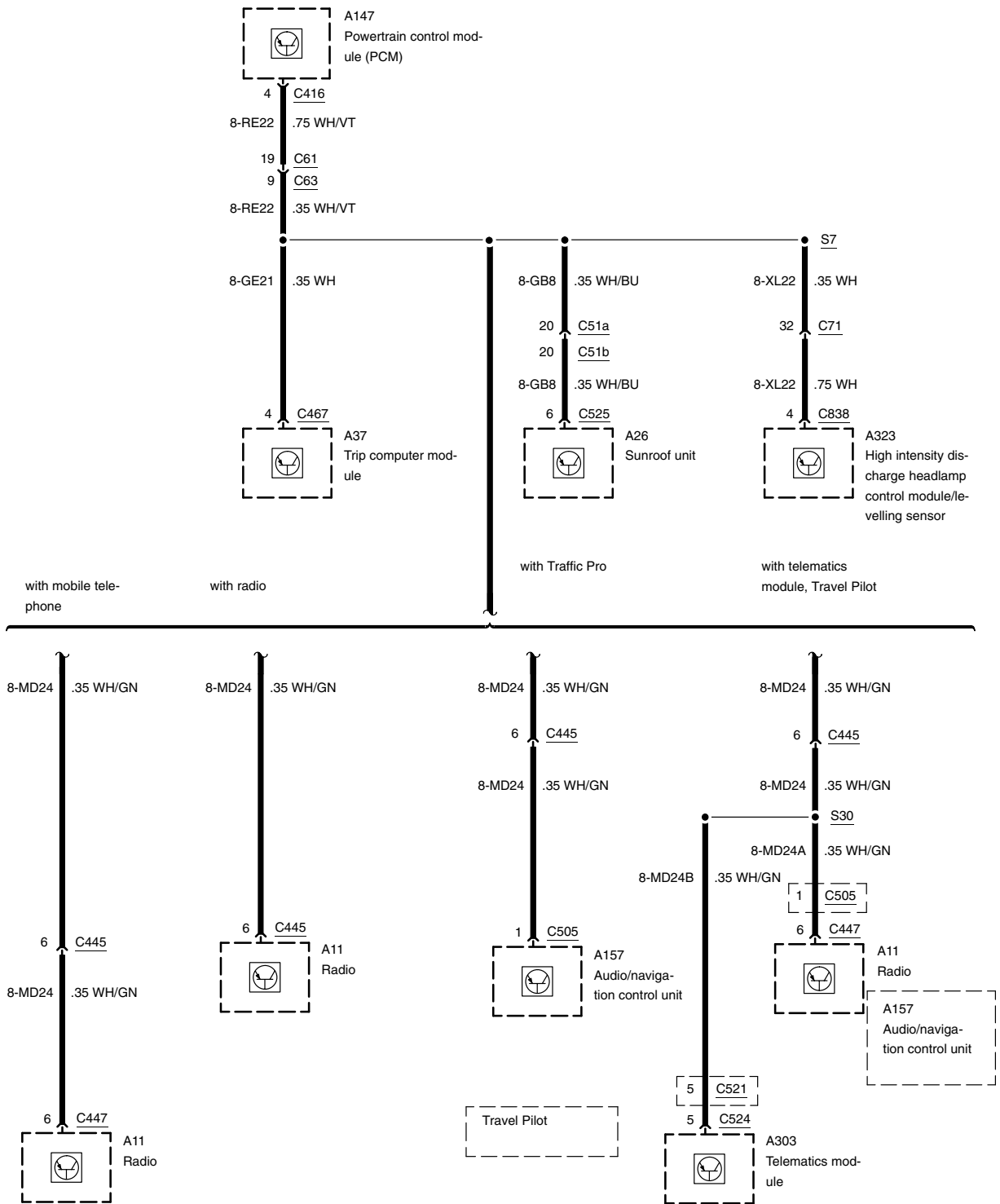


manual transmission

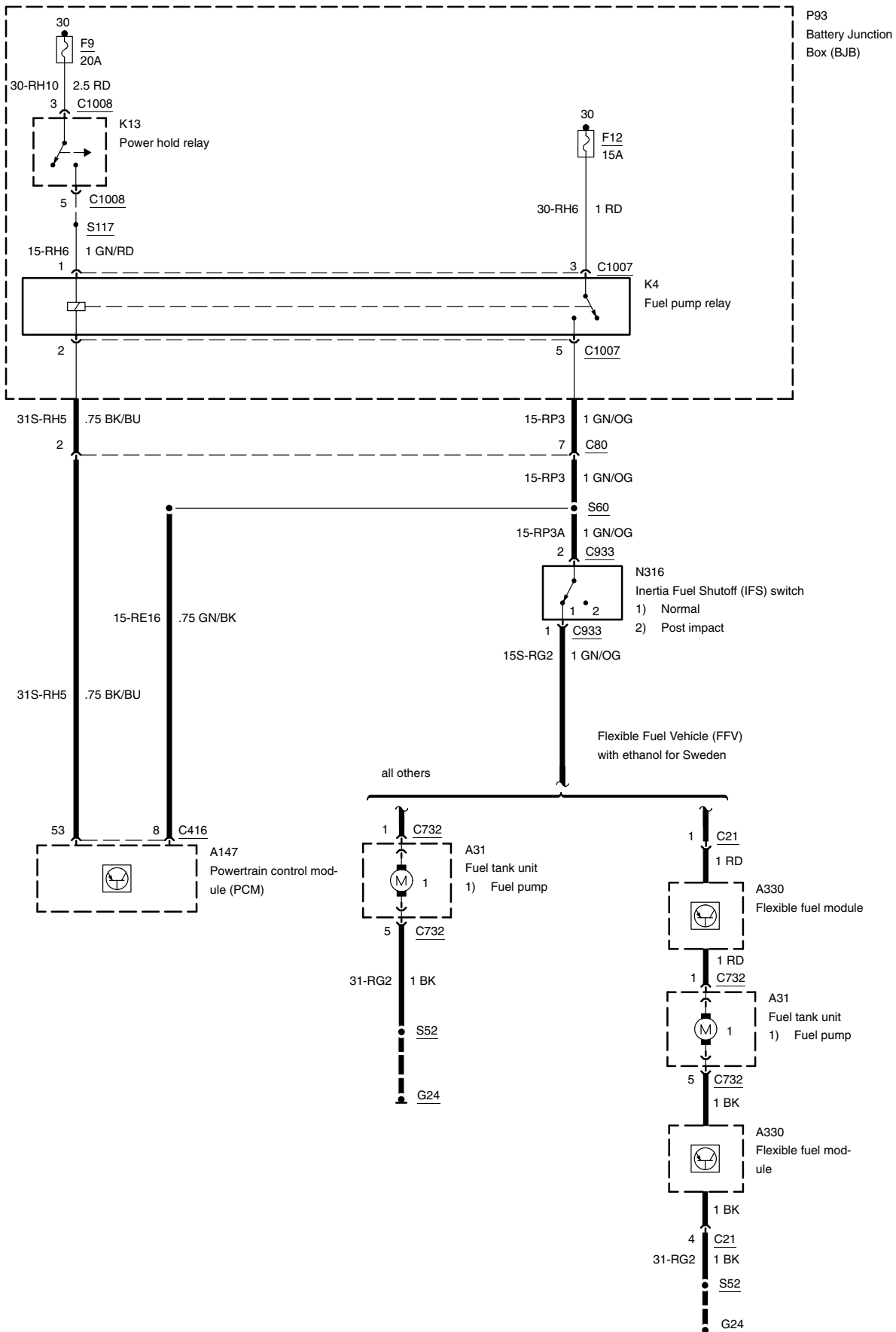




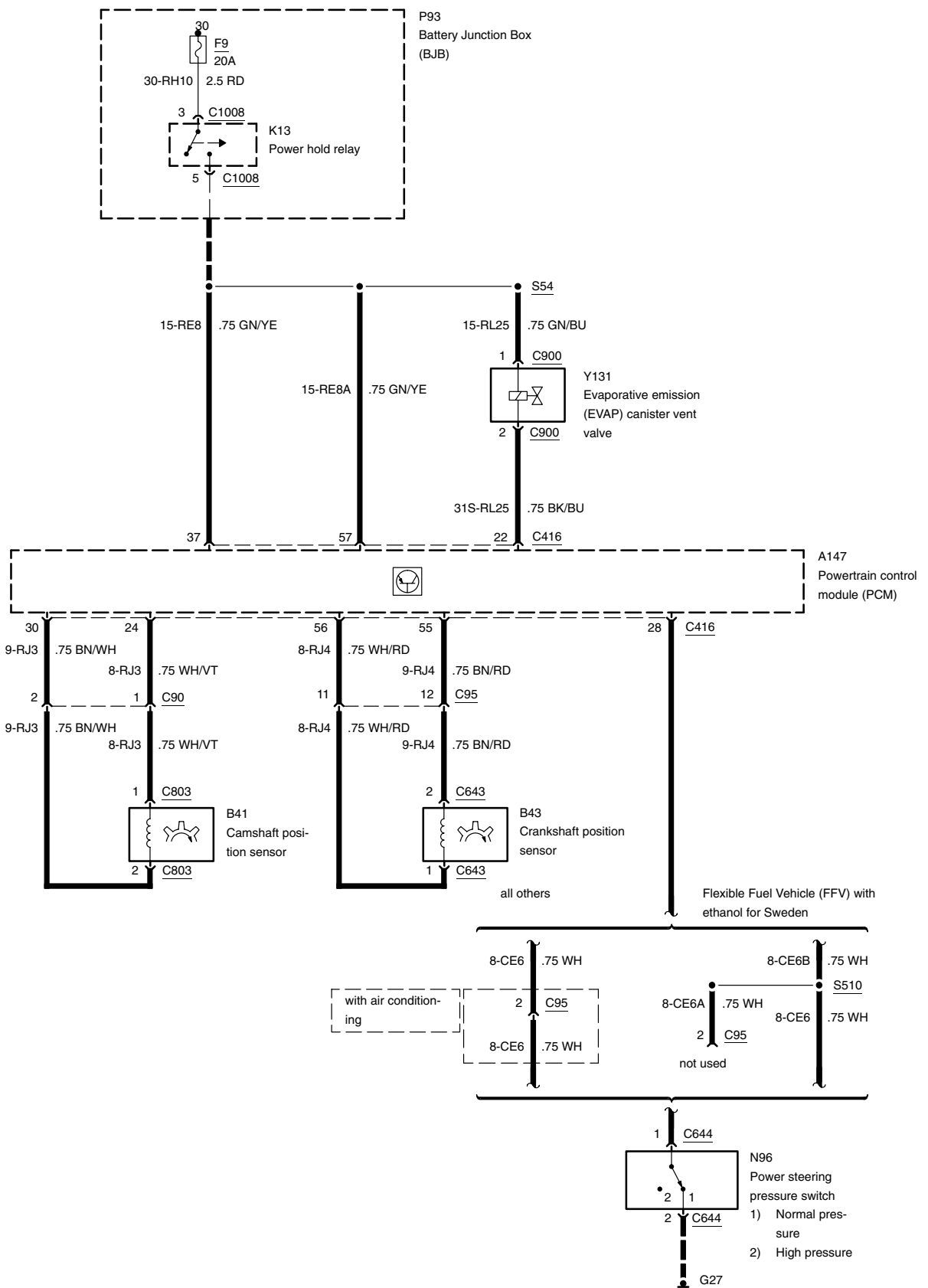
manual transmission



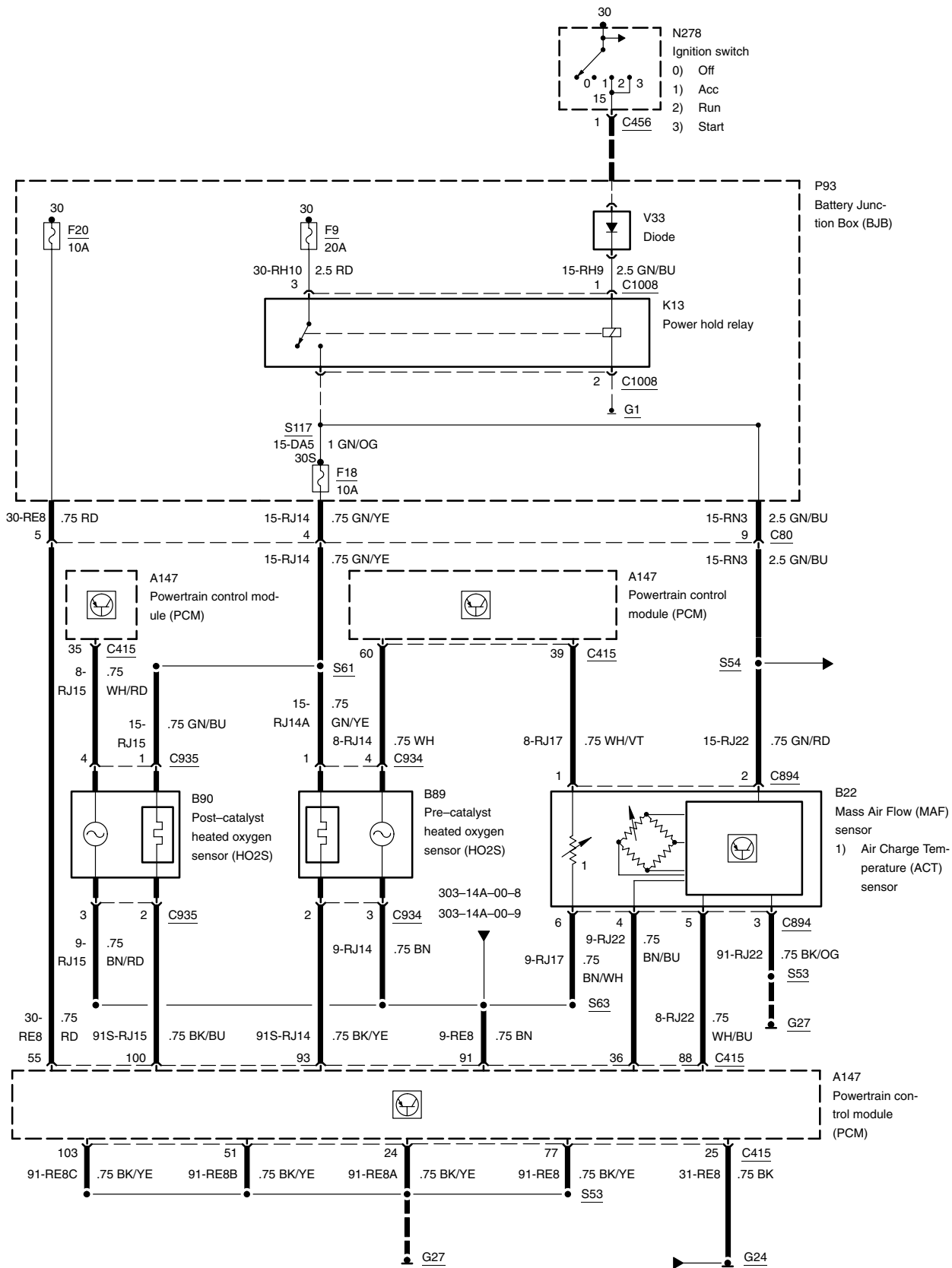
manual transmission



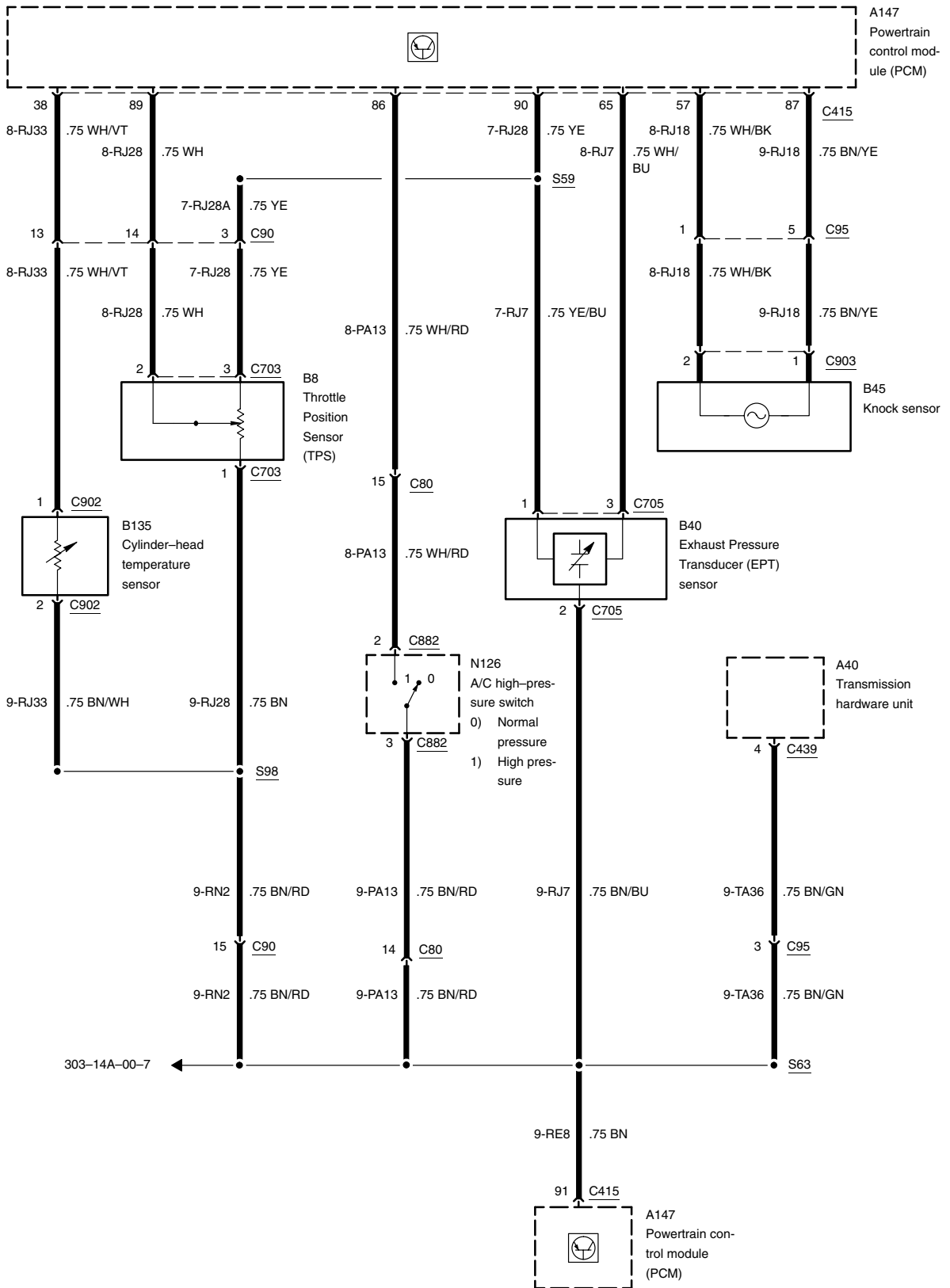
ZETEC–SE, manual transmission



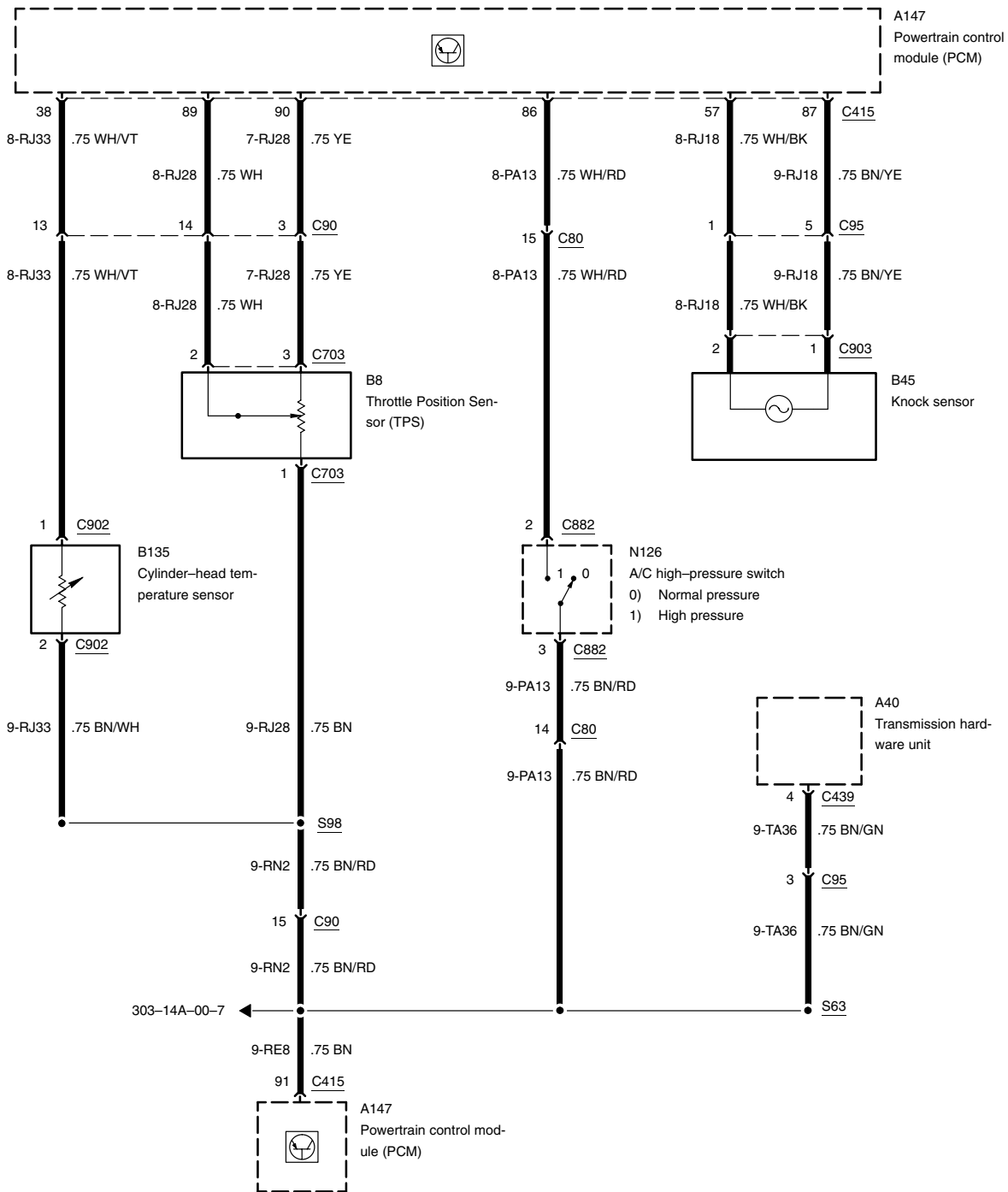
automatic transmission



automatic transmission, stage IV

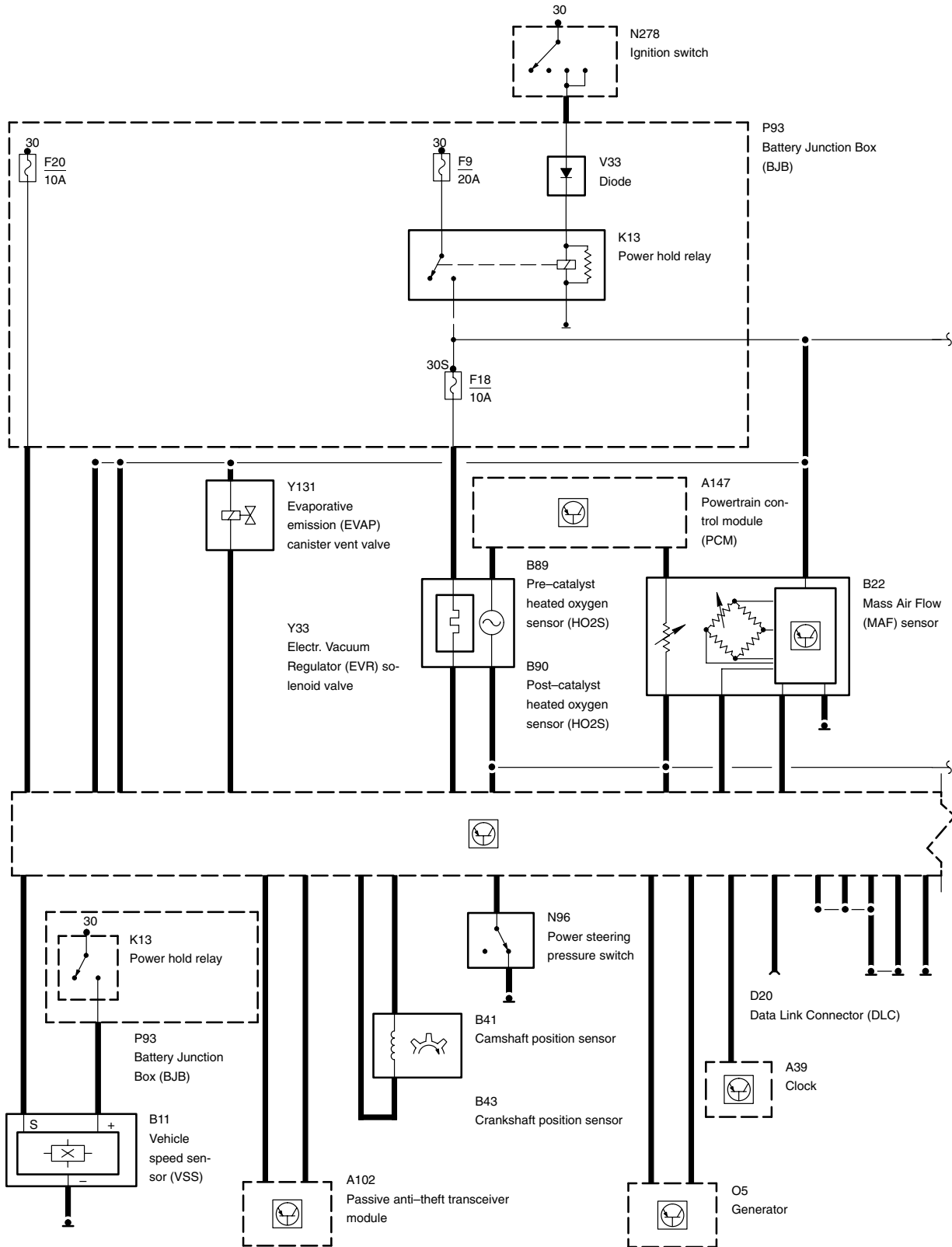


automatic transmission, stage III

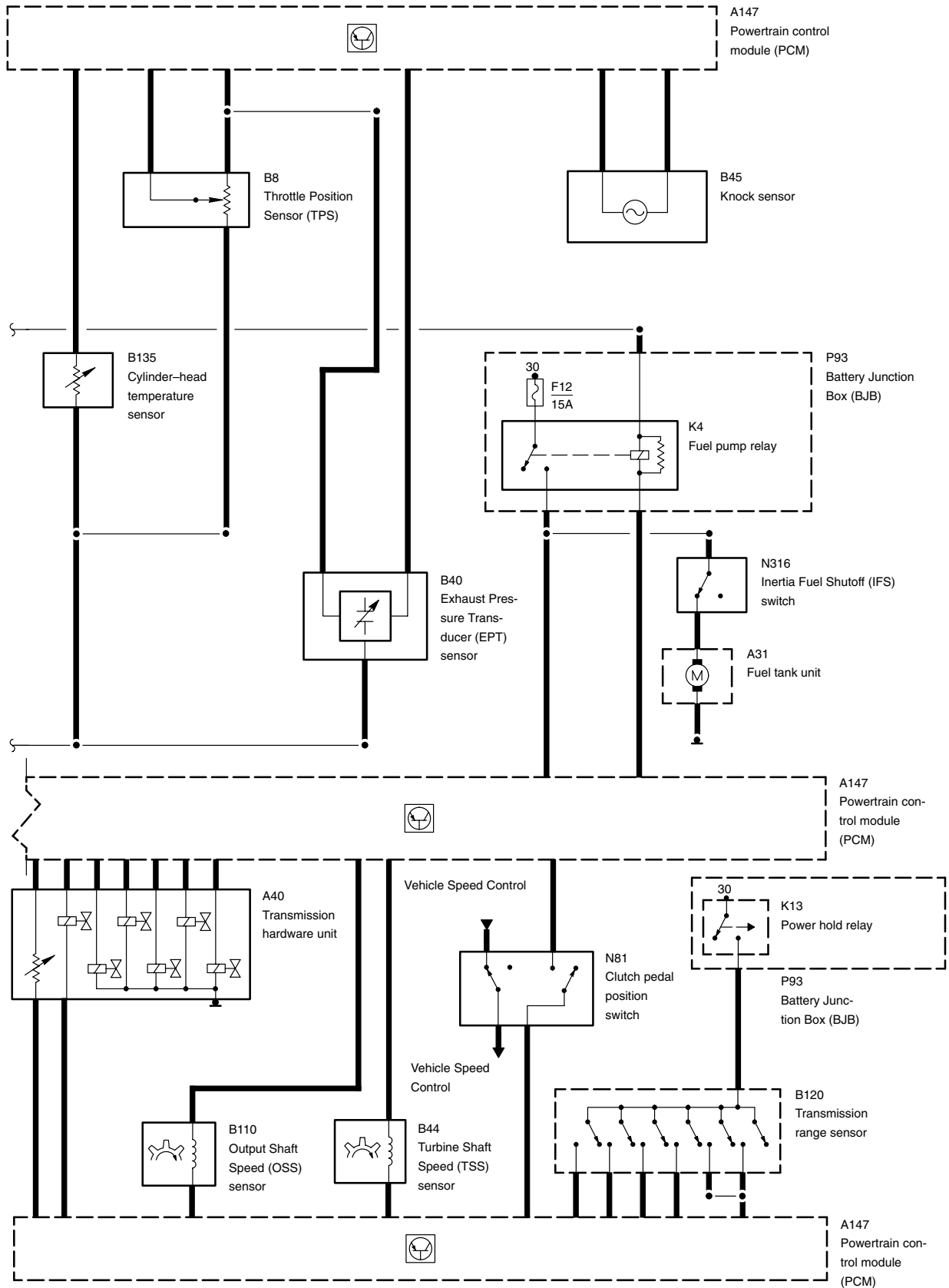




-A

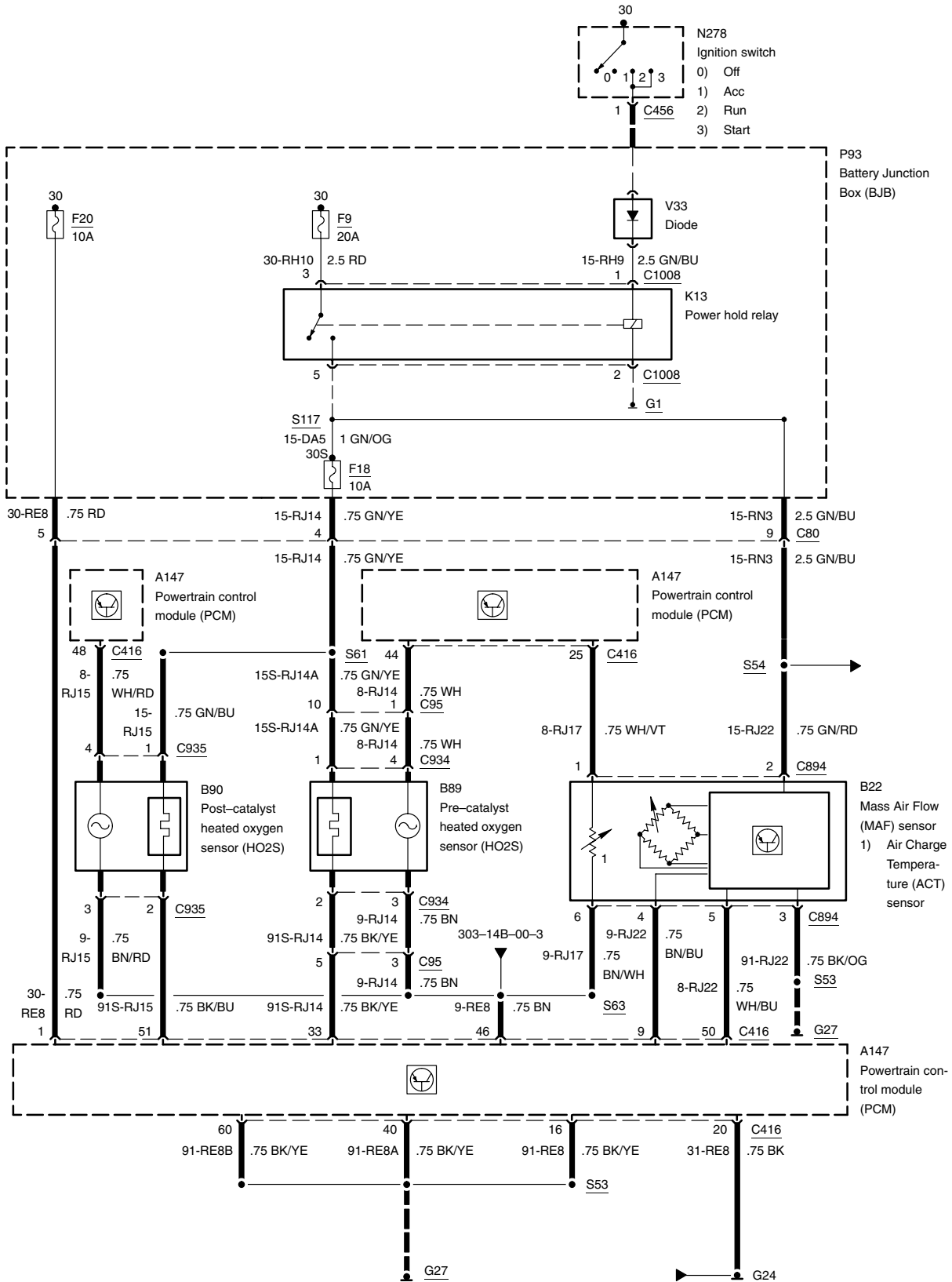




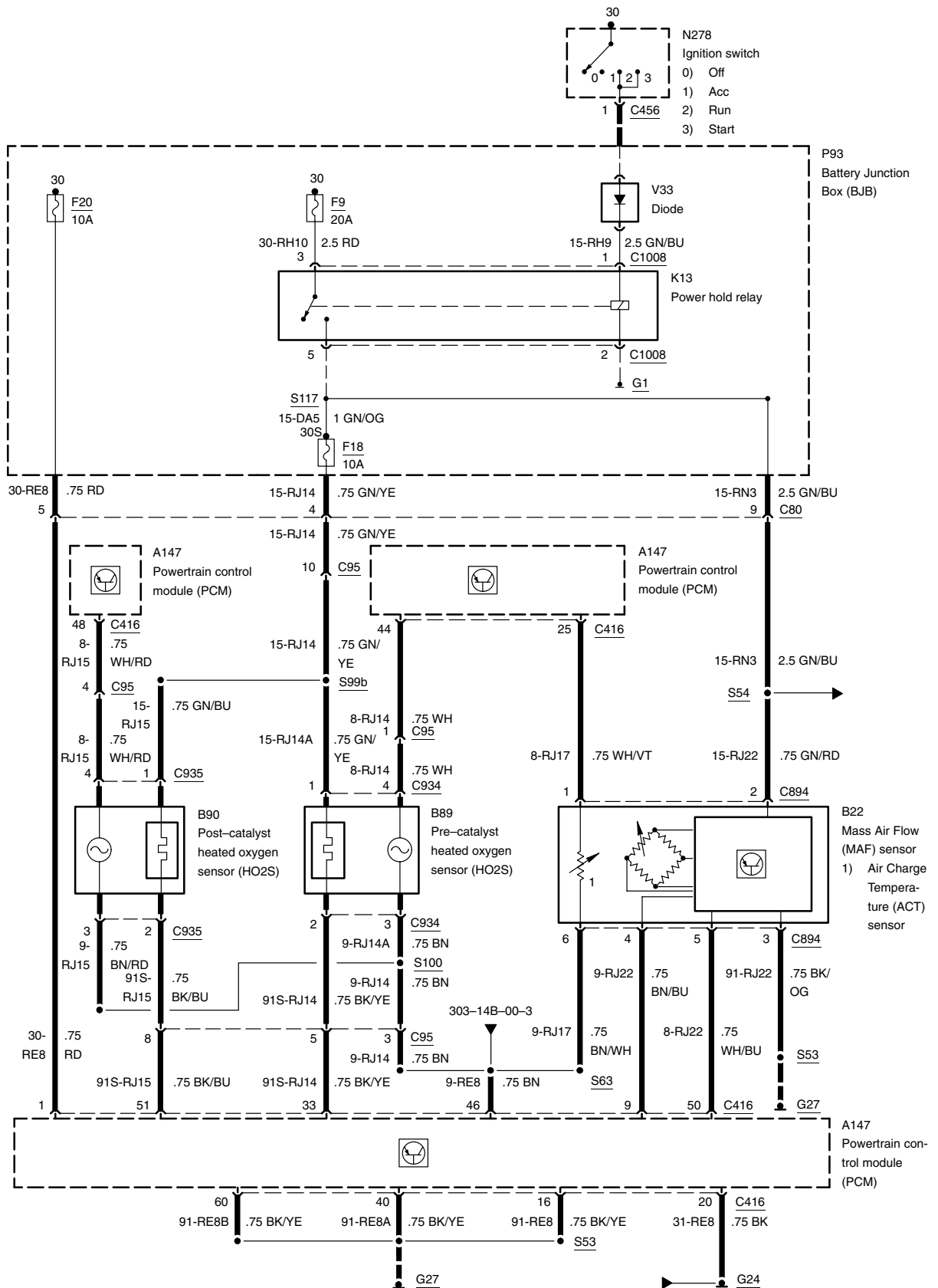


without LPG fuel system, manual transmission, before 08/2002

-1

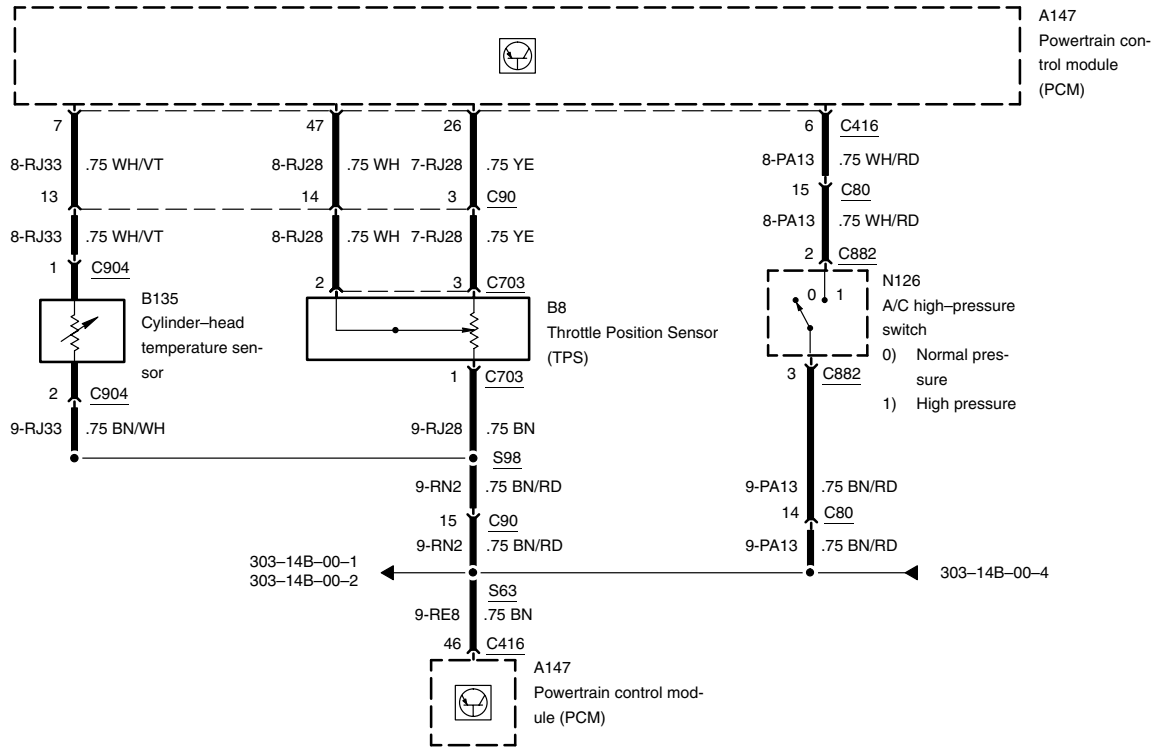


without LPG fuel system, manual transmission, as of 08/2002

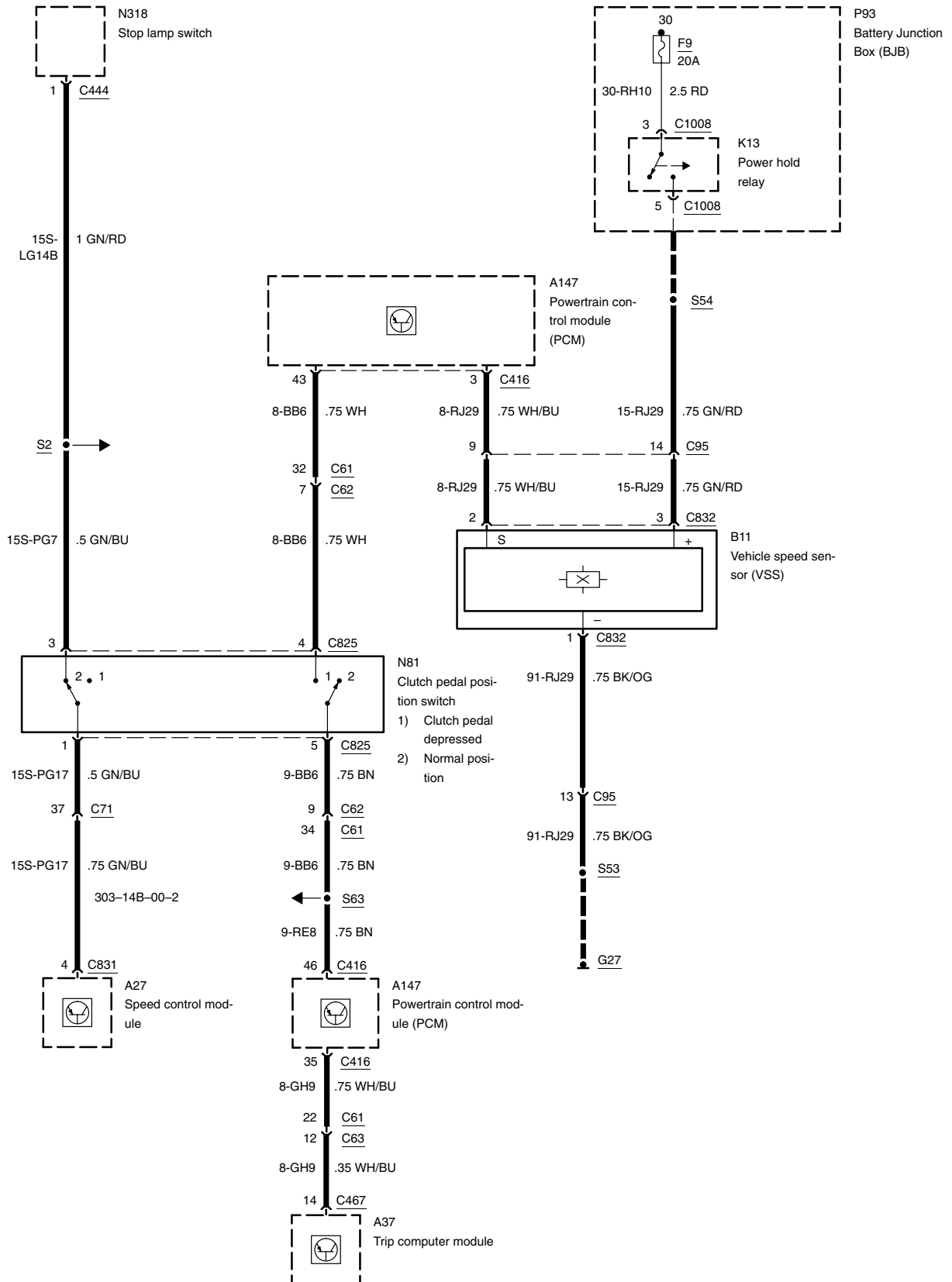


without LPG fuel system, manual transmission

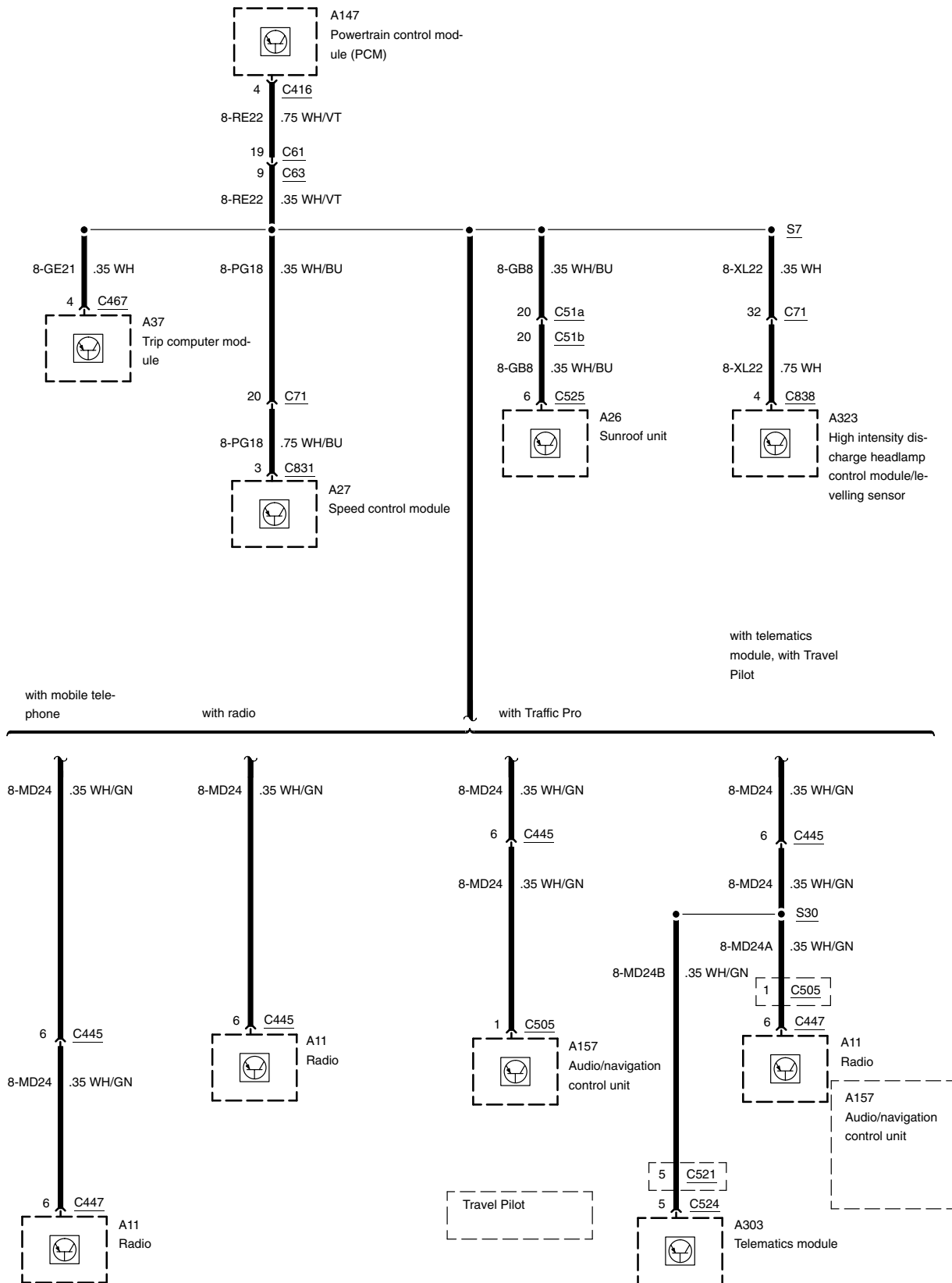
-3



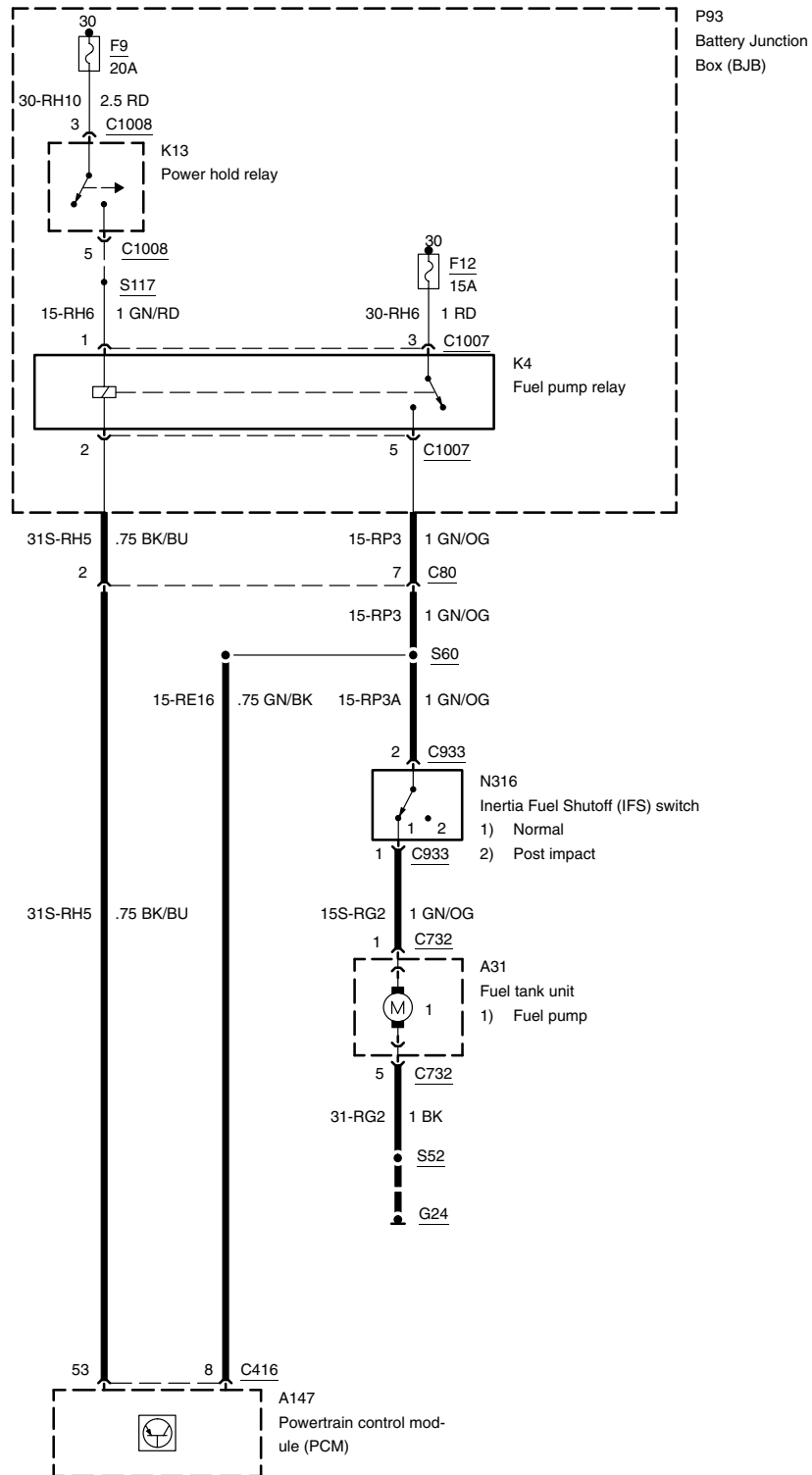
without LPG fuel system, manual transmission



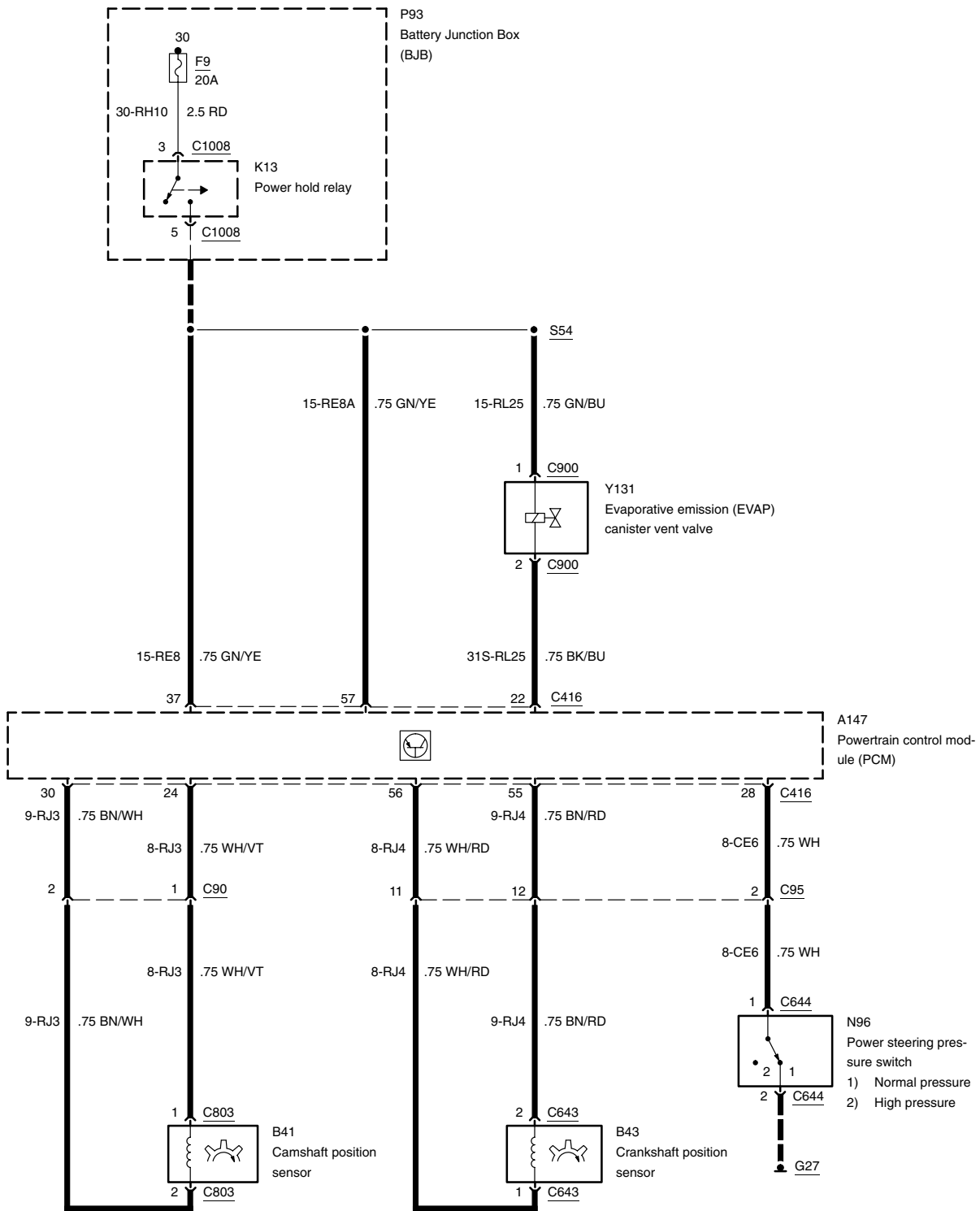
without LPG fuel system, manual transmission



without LPG fuel system, manual transmission

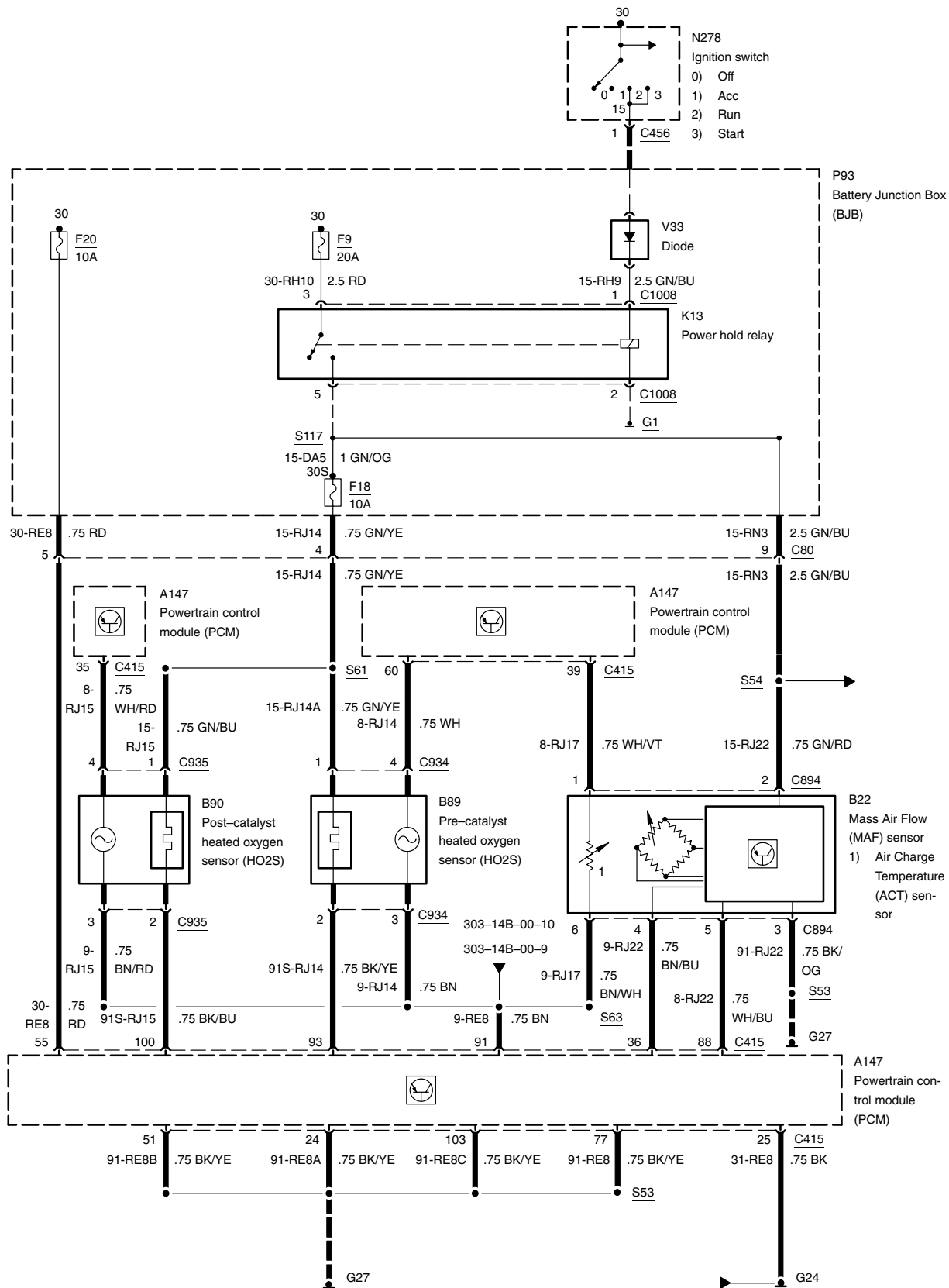


without LPG fuel system, manual transmission

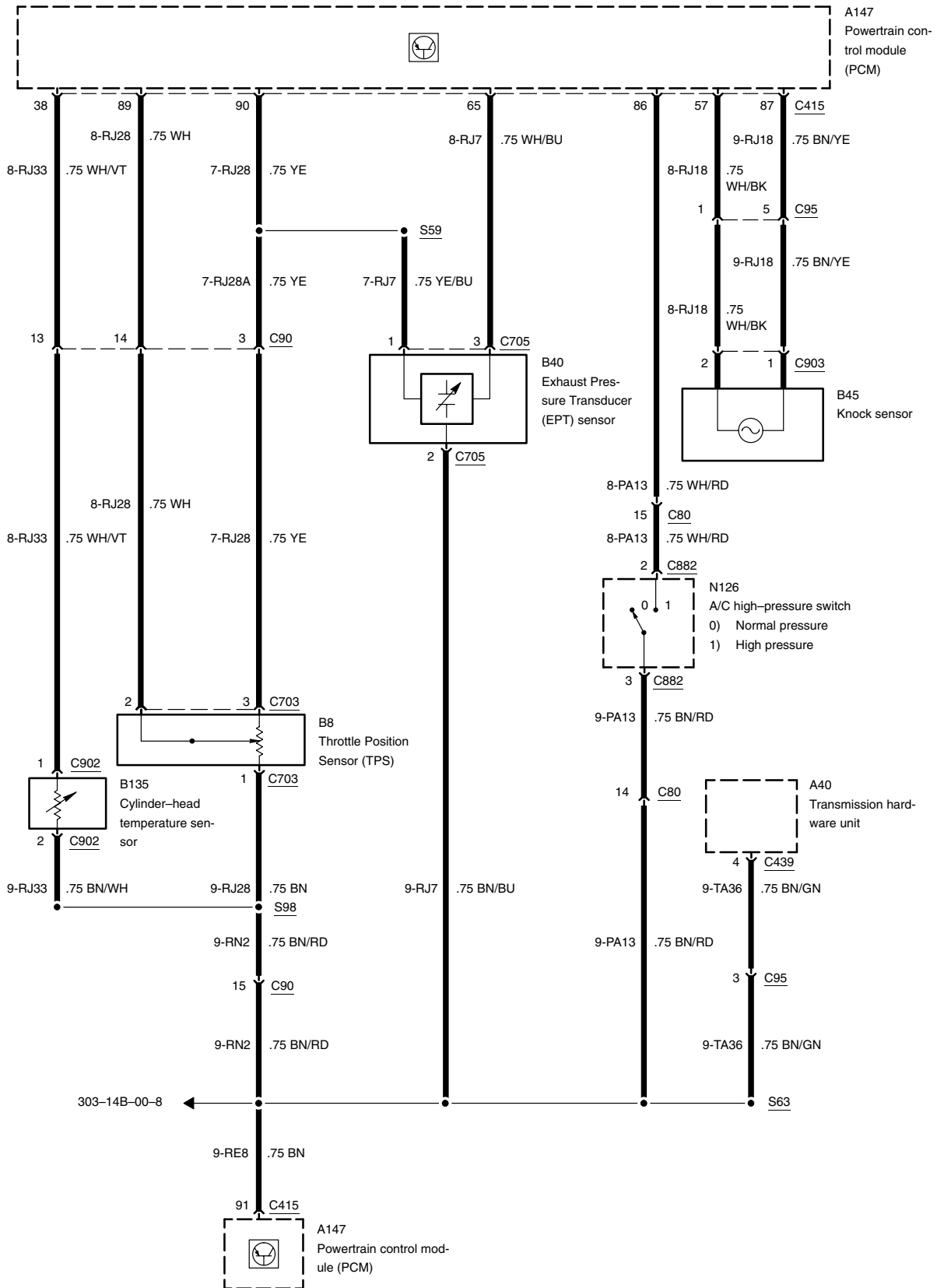




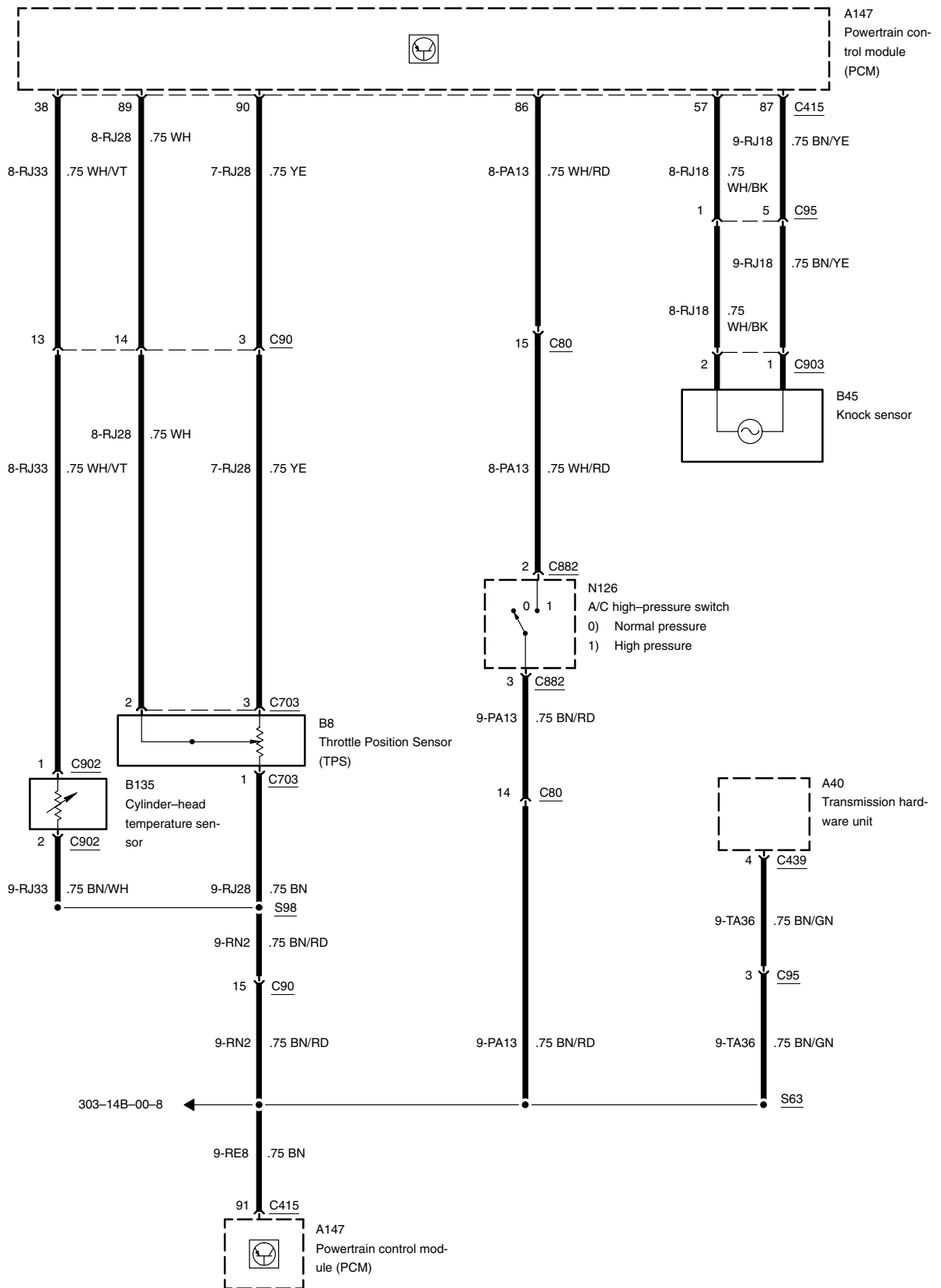
automatic transmission



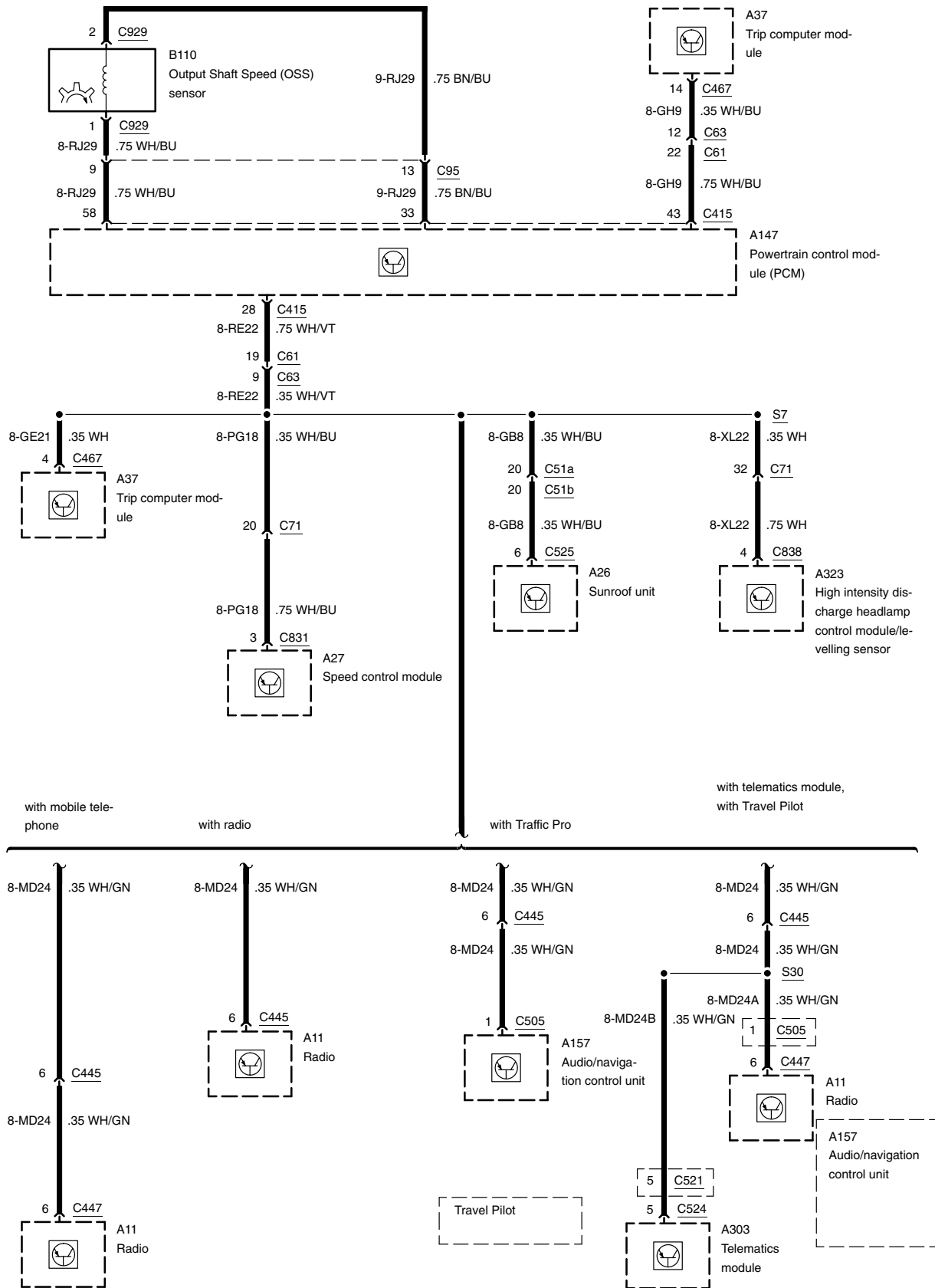
automatic transmission, stage IV



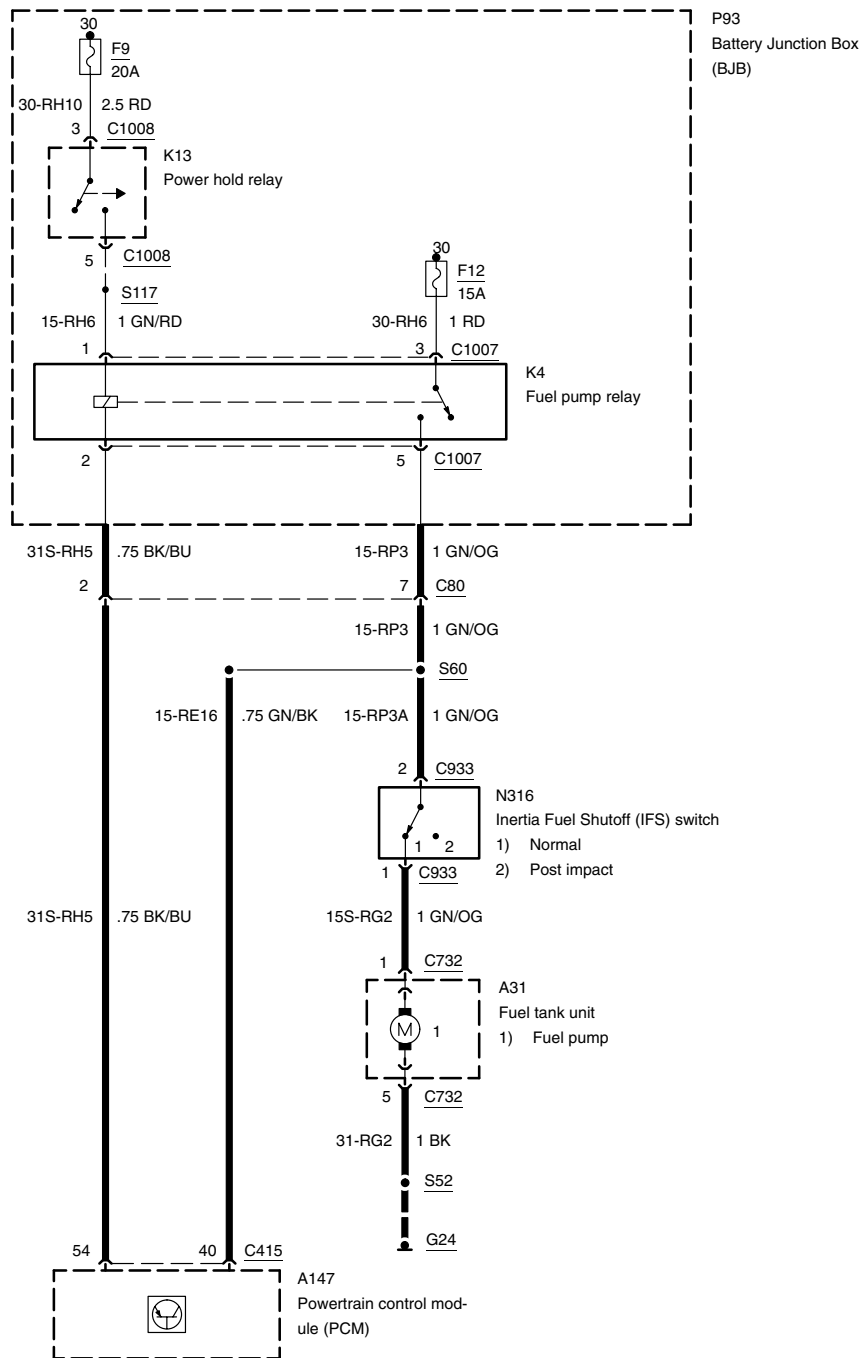
automatic transmission, stage III



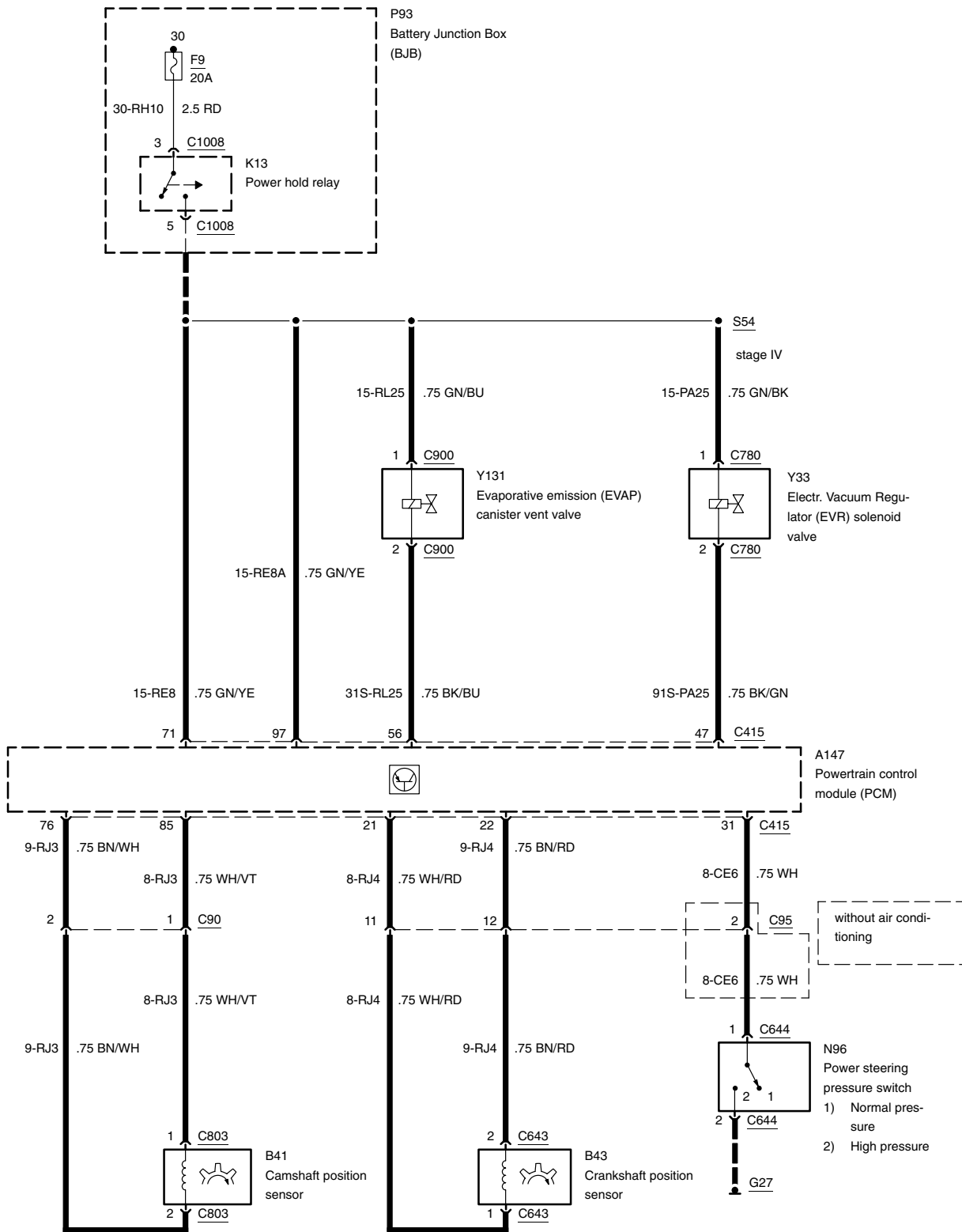
automatic transmission



automatic transmission

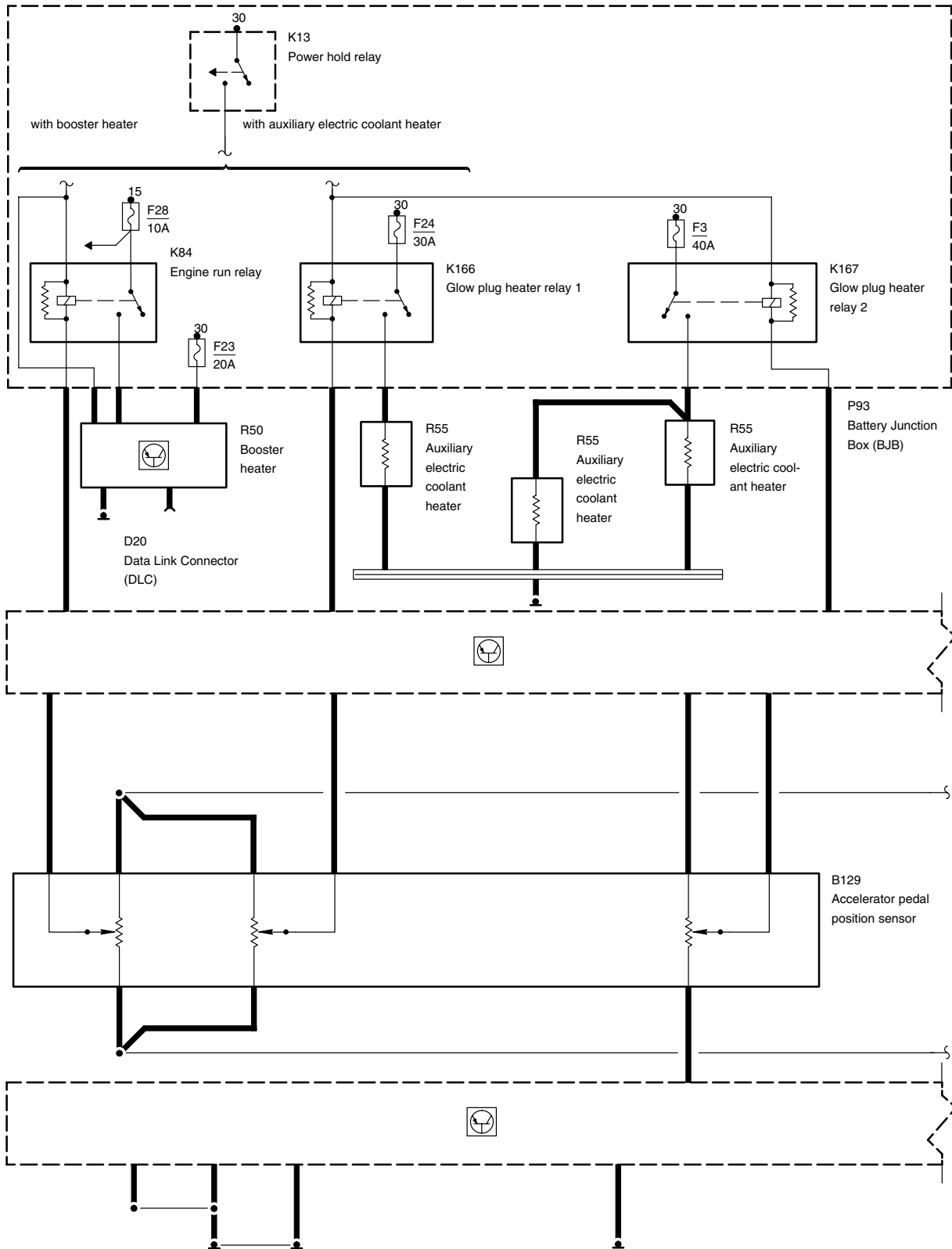


automatic transmission



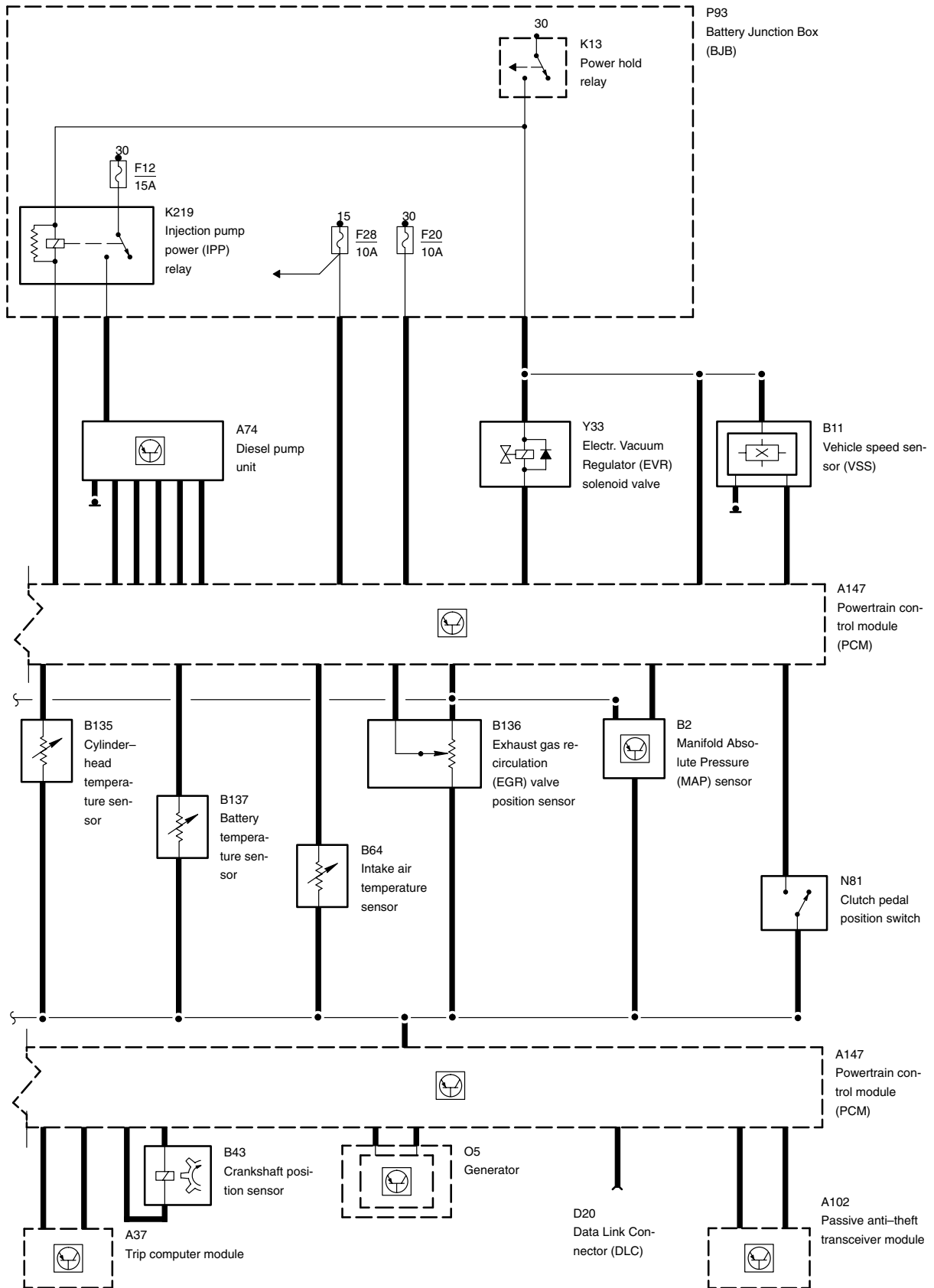


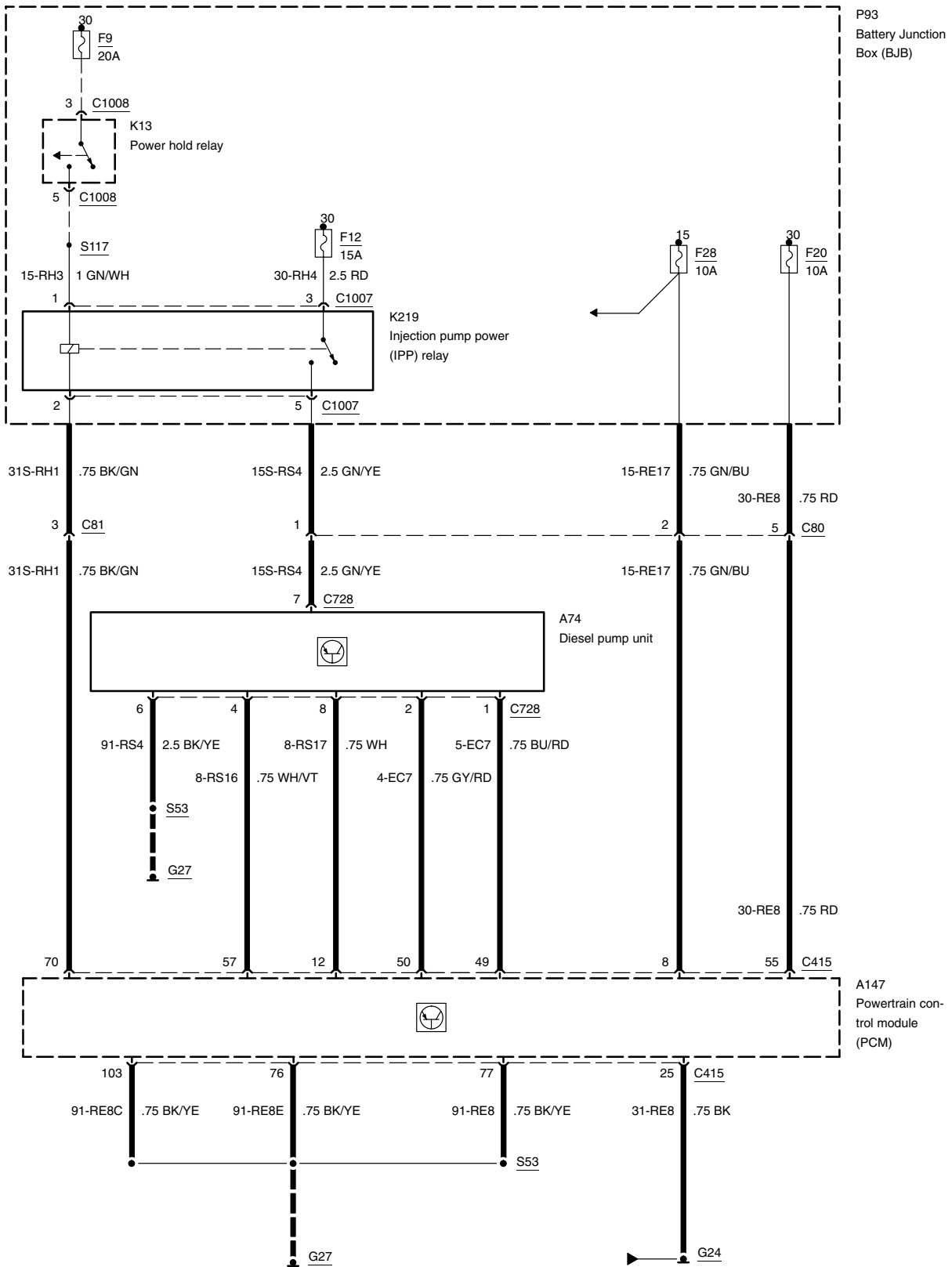
-A

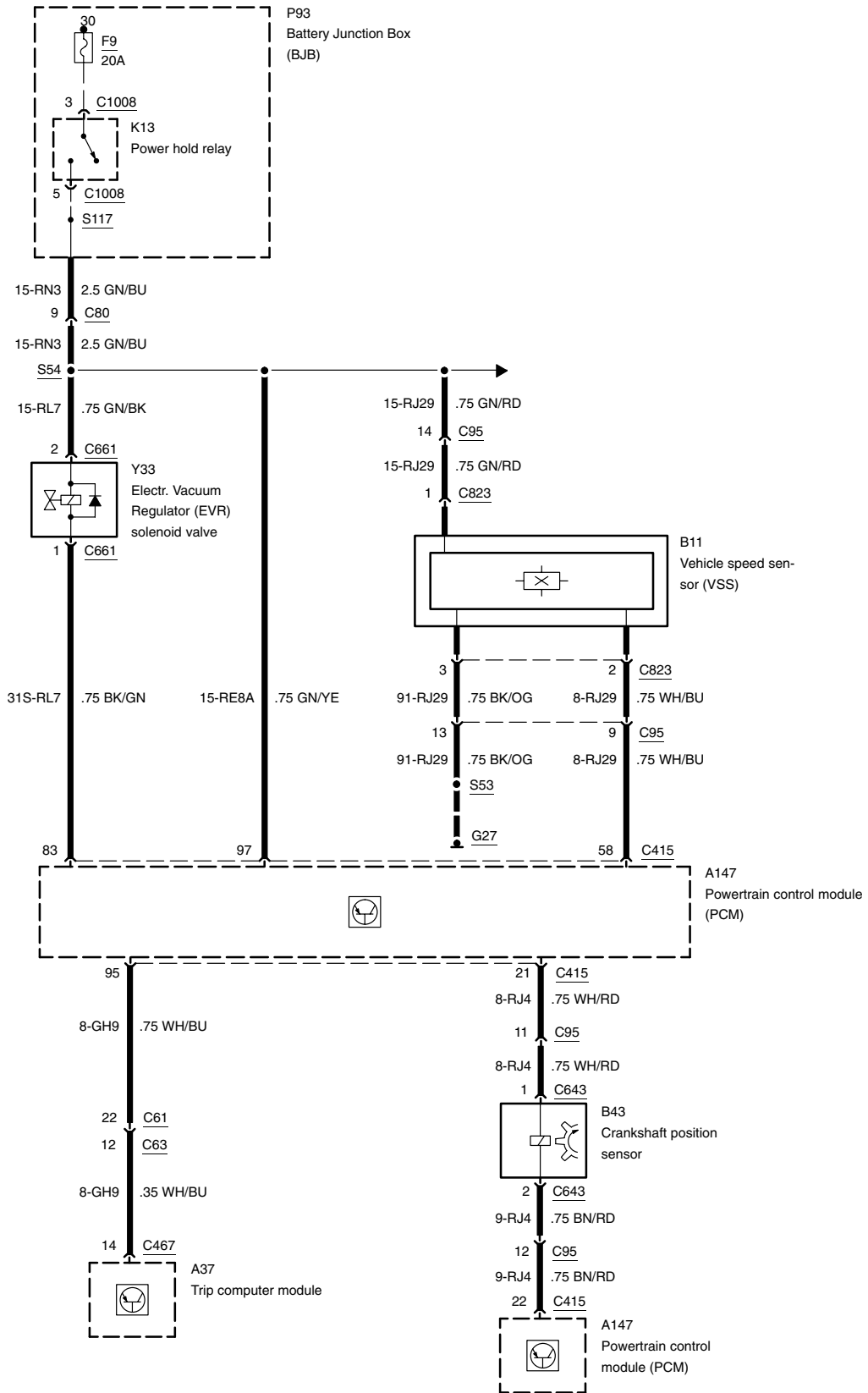


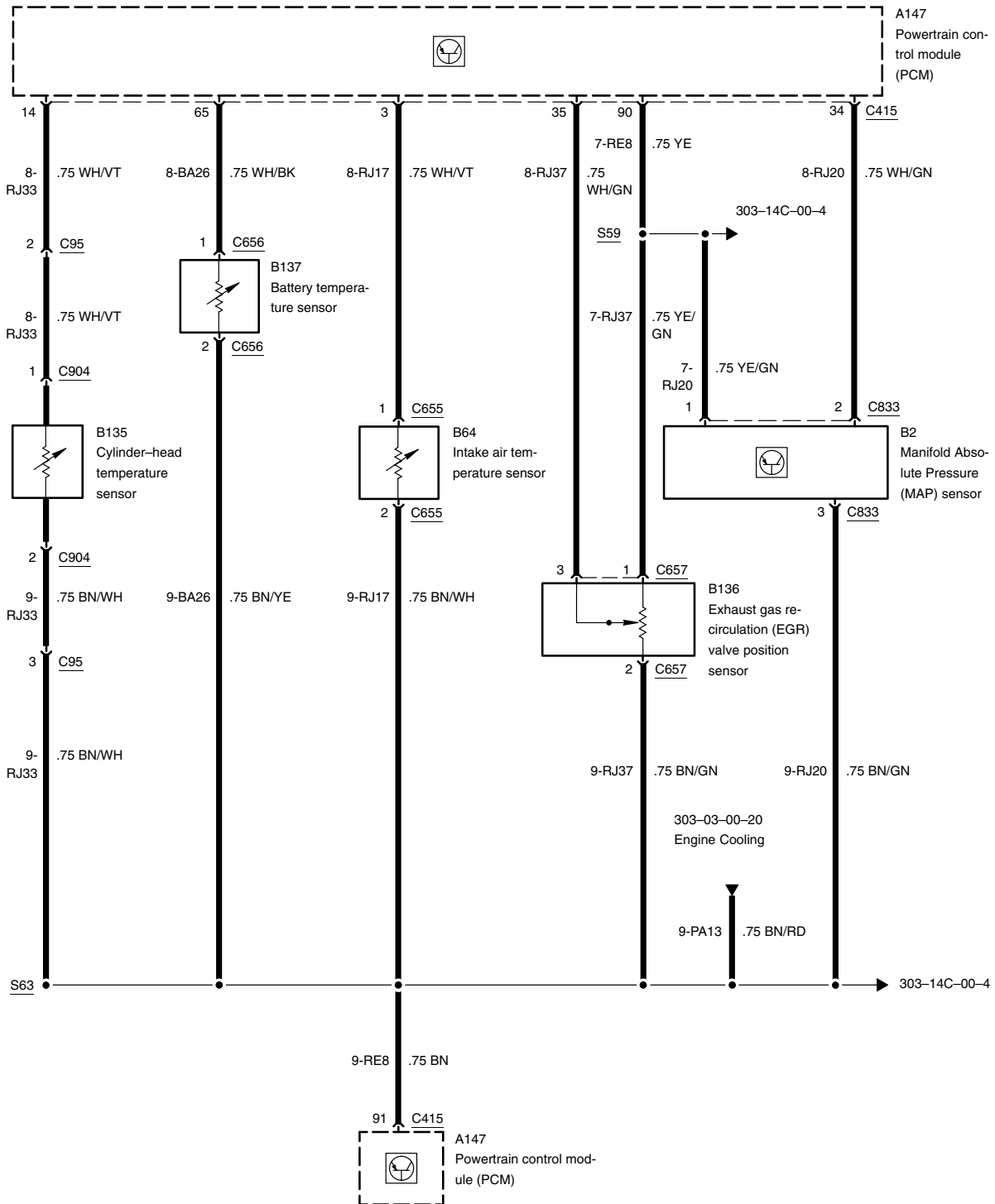


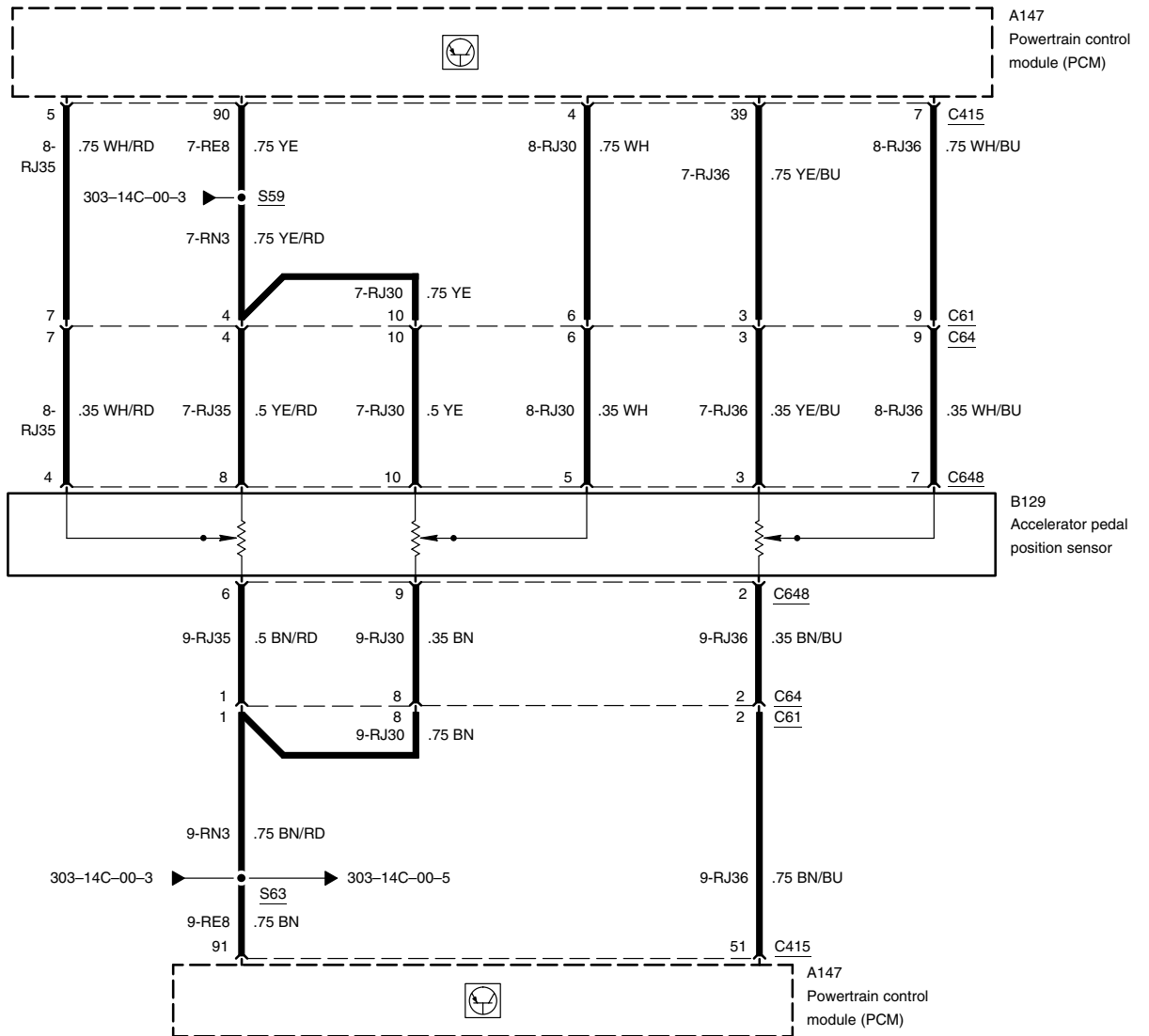
-B

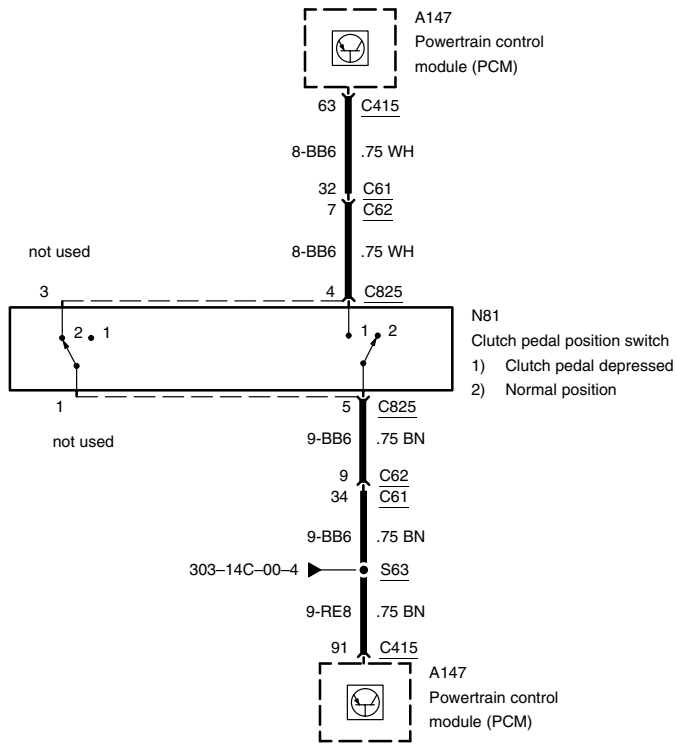


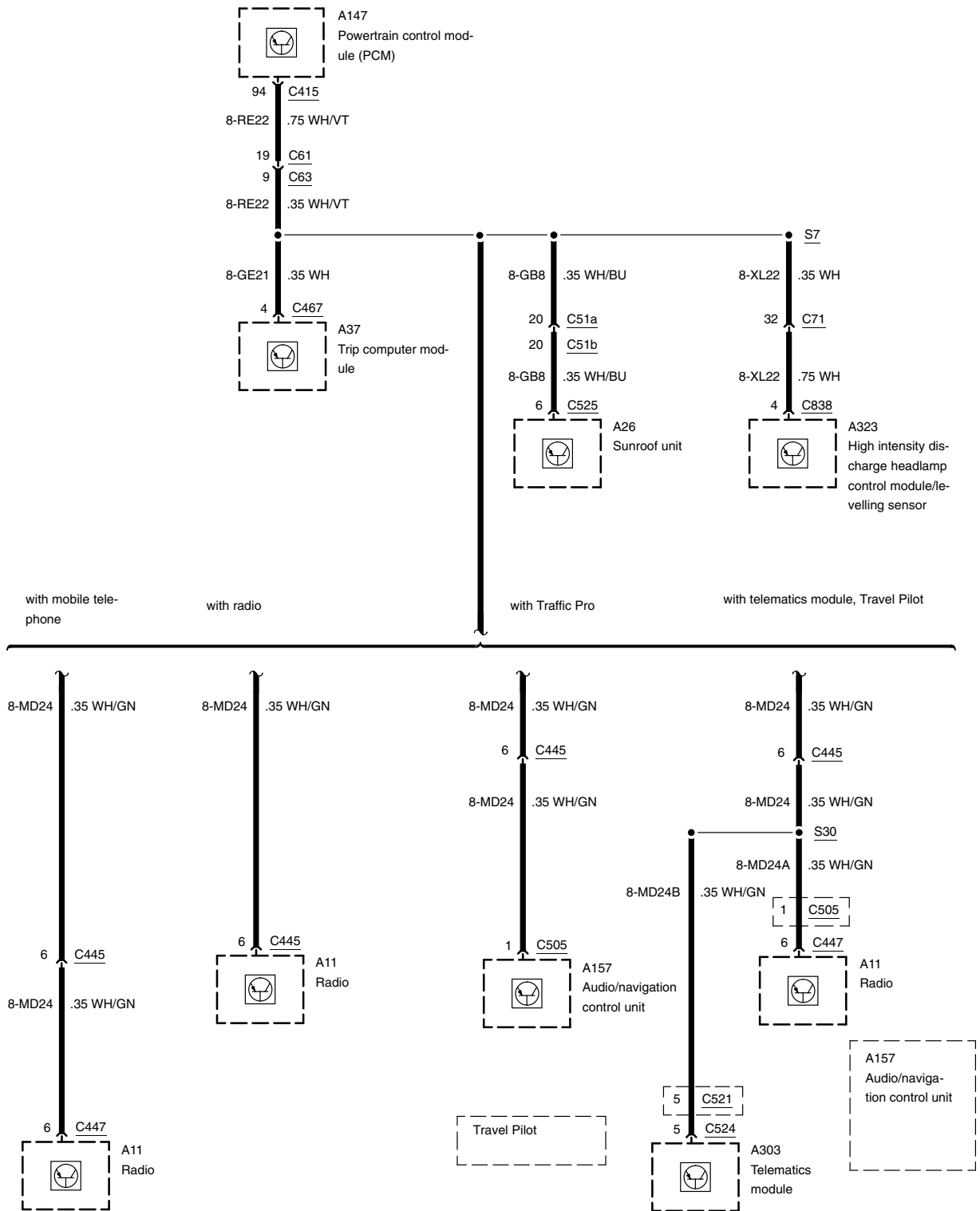


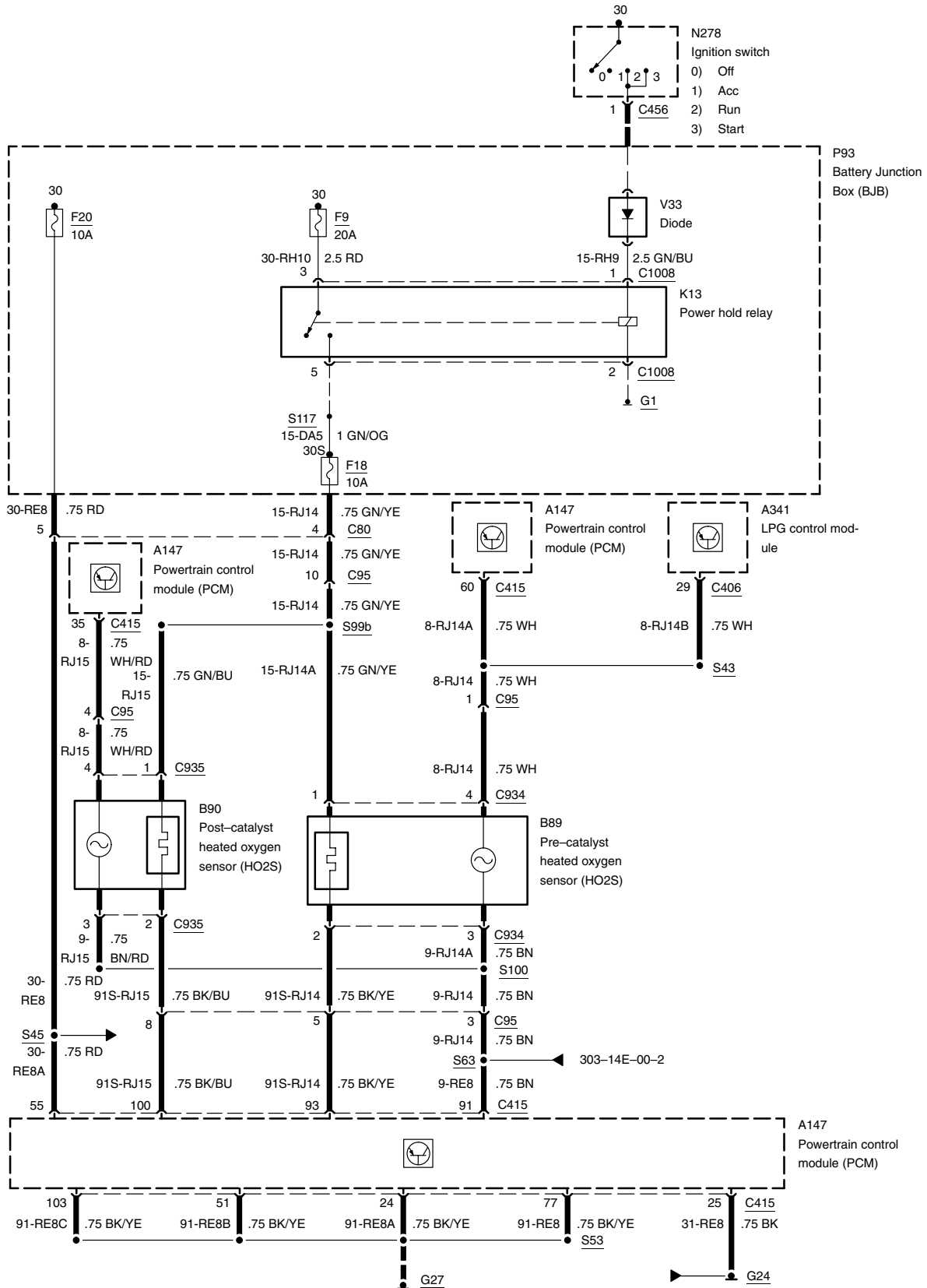




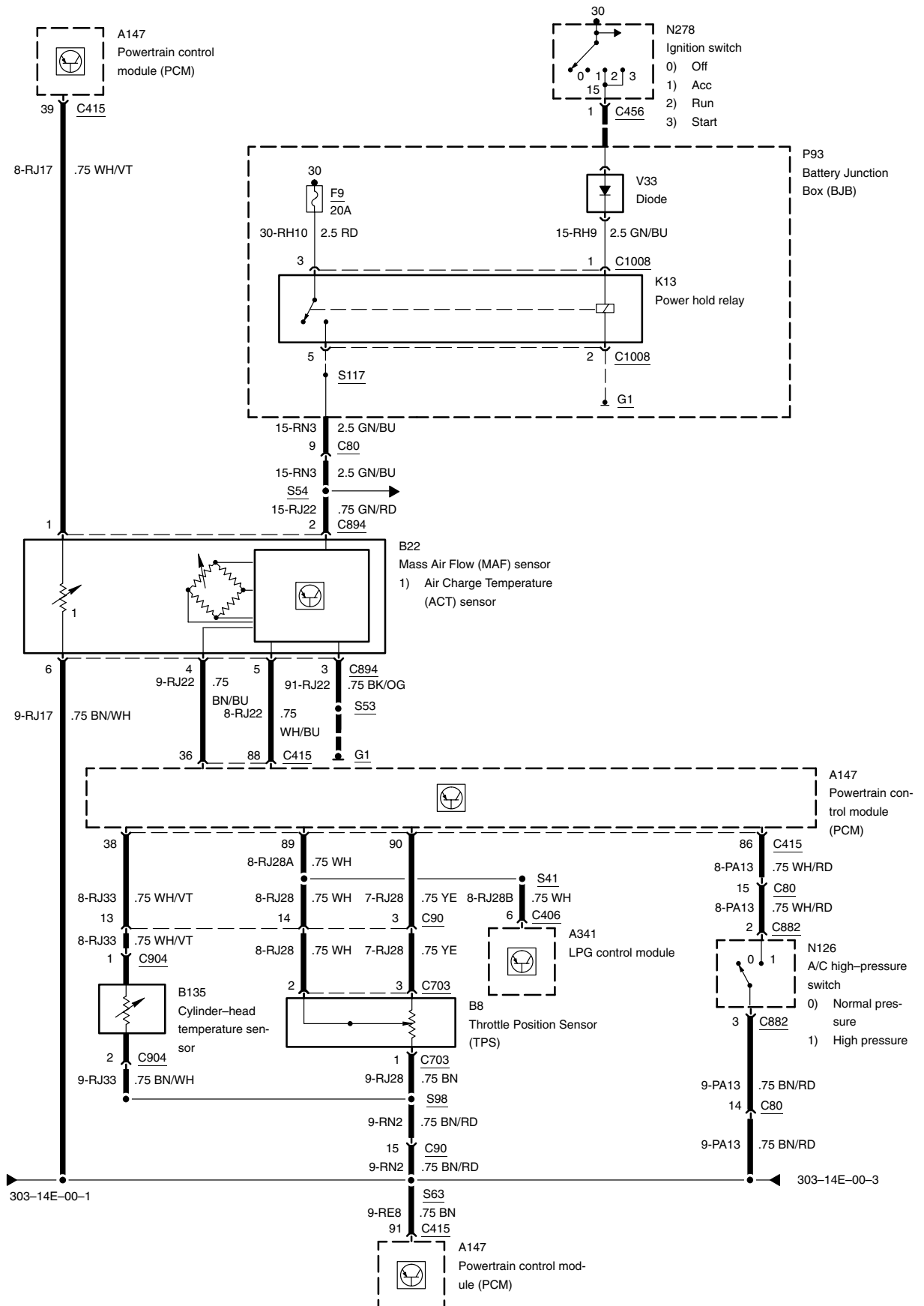


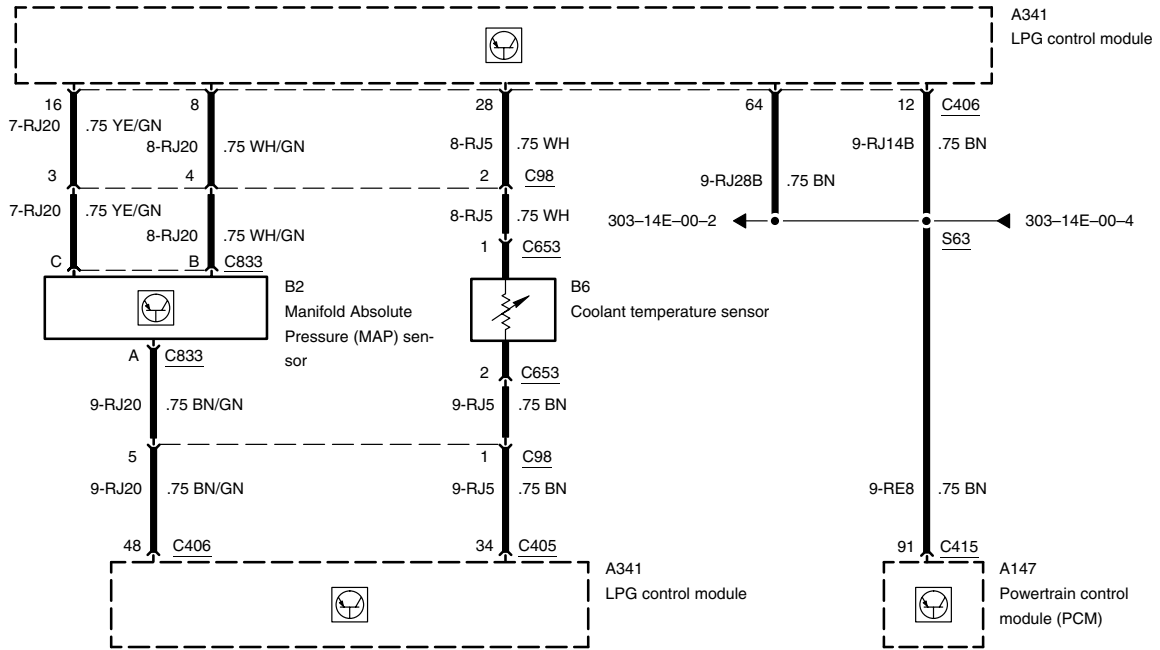


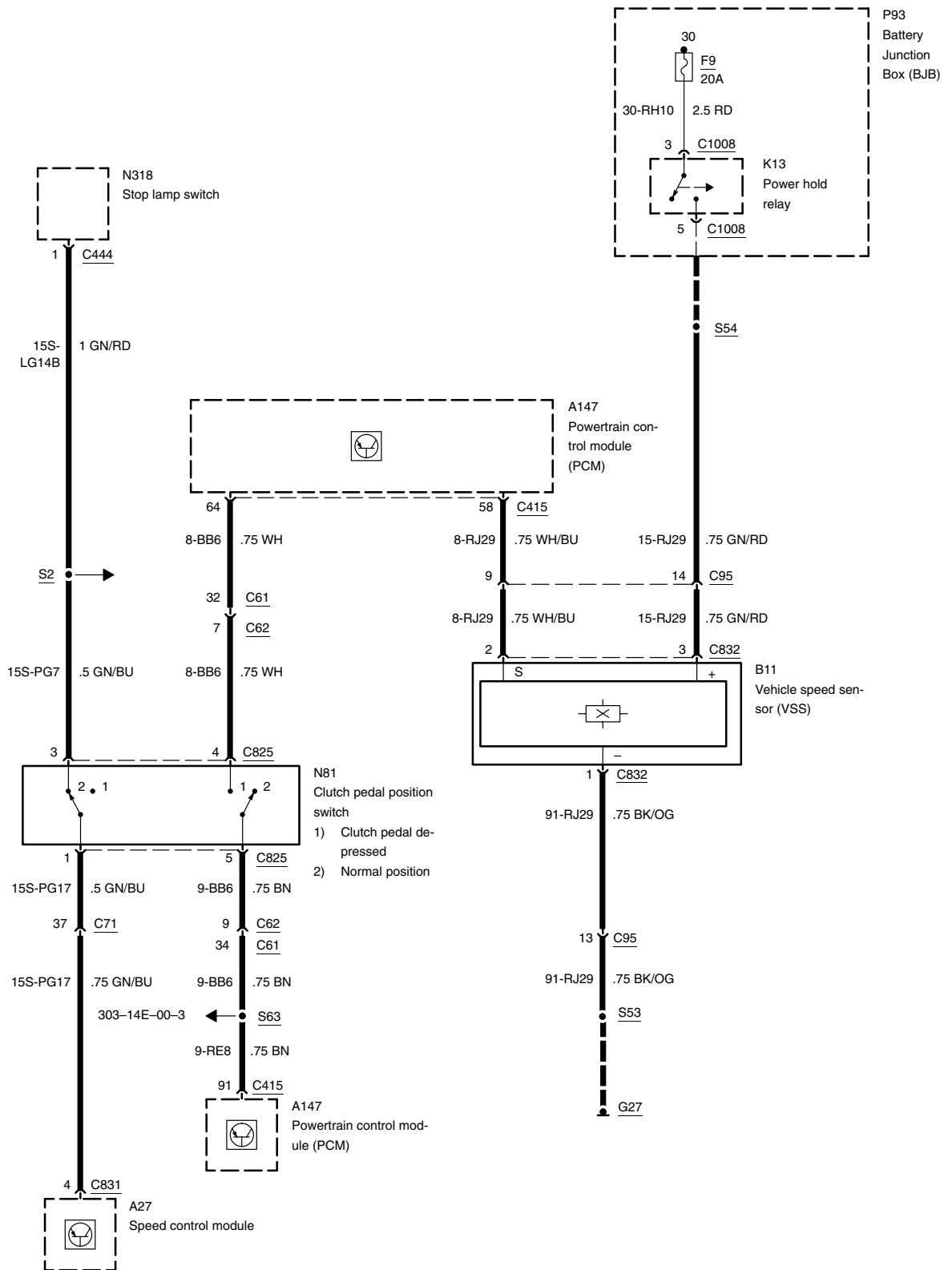


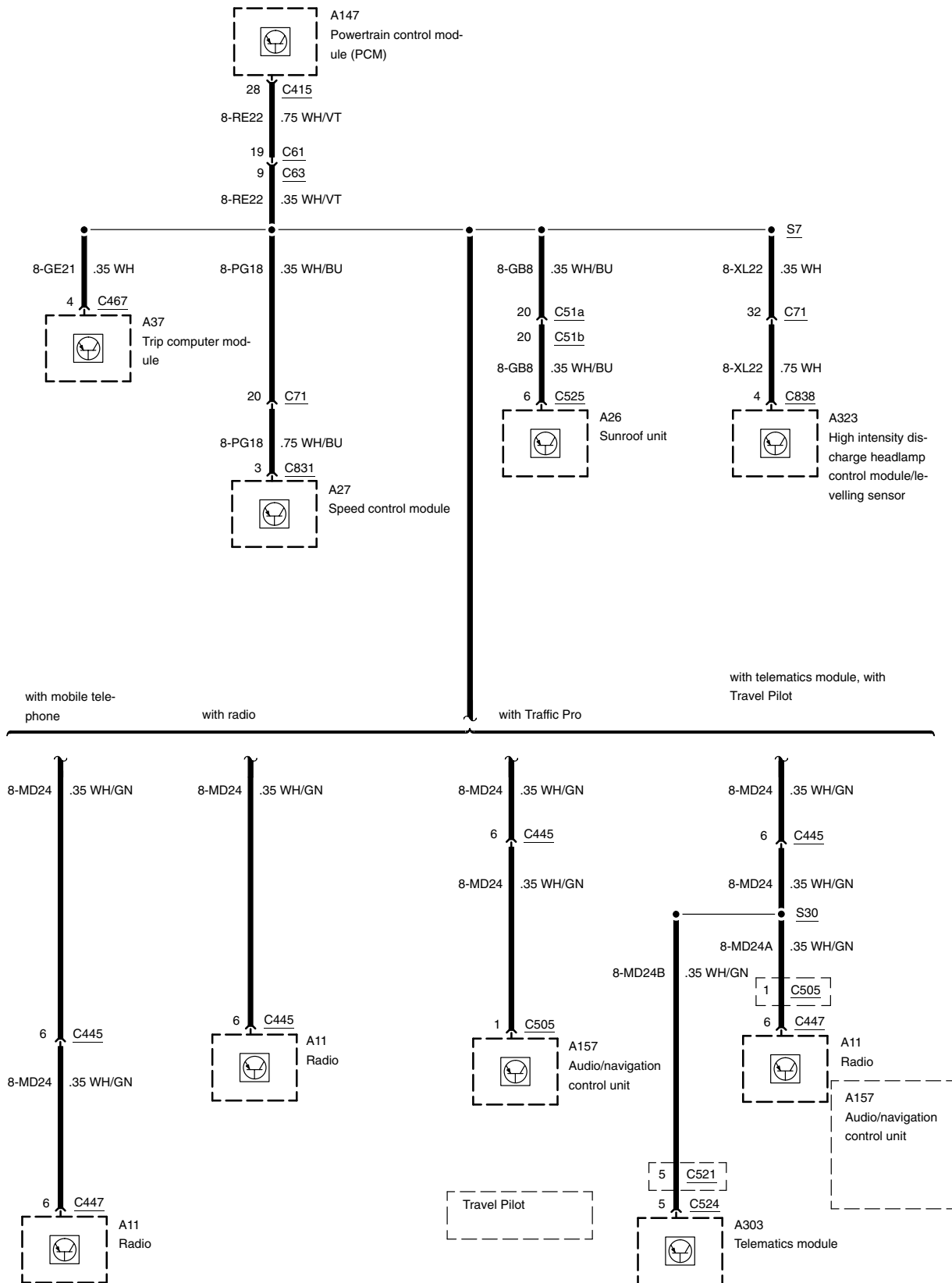


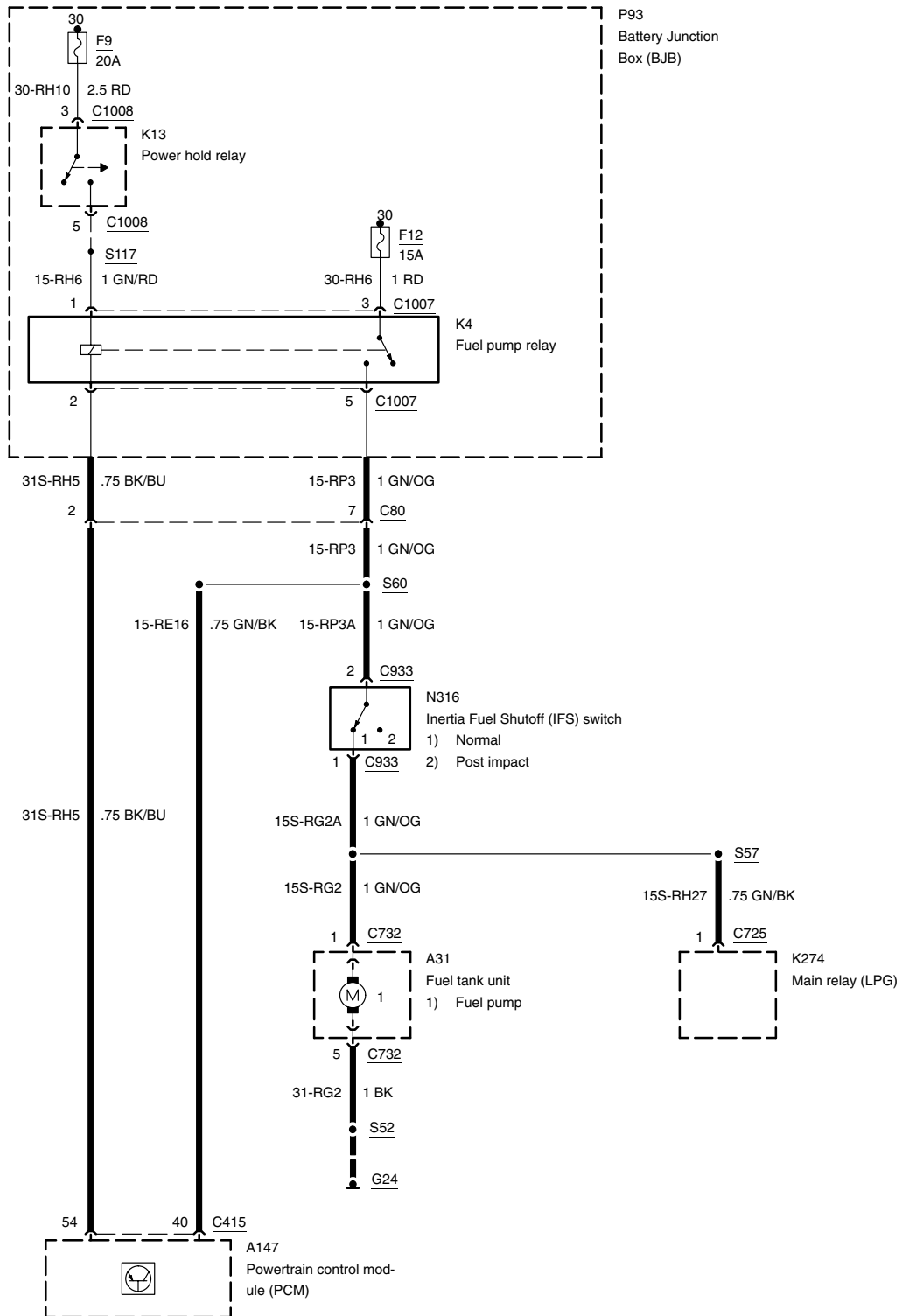


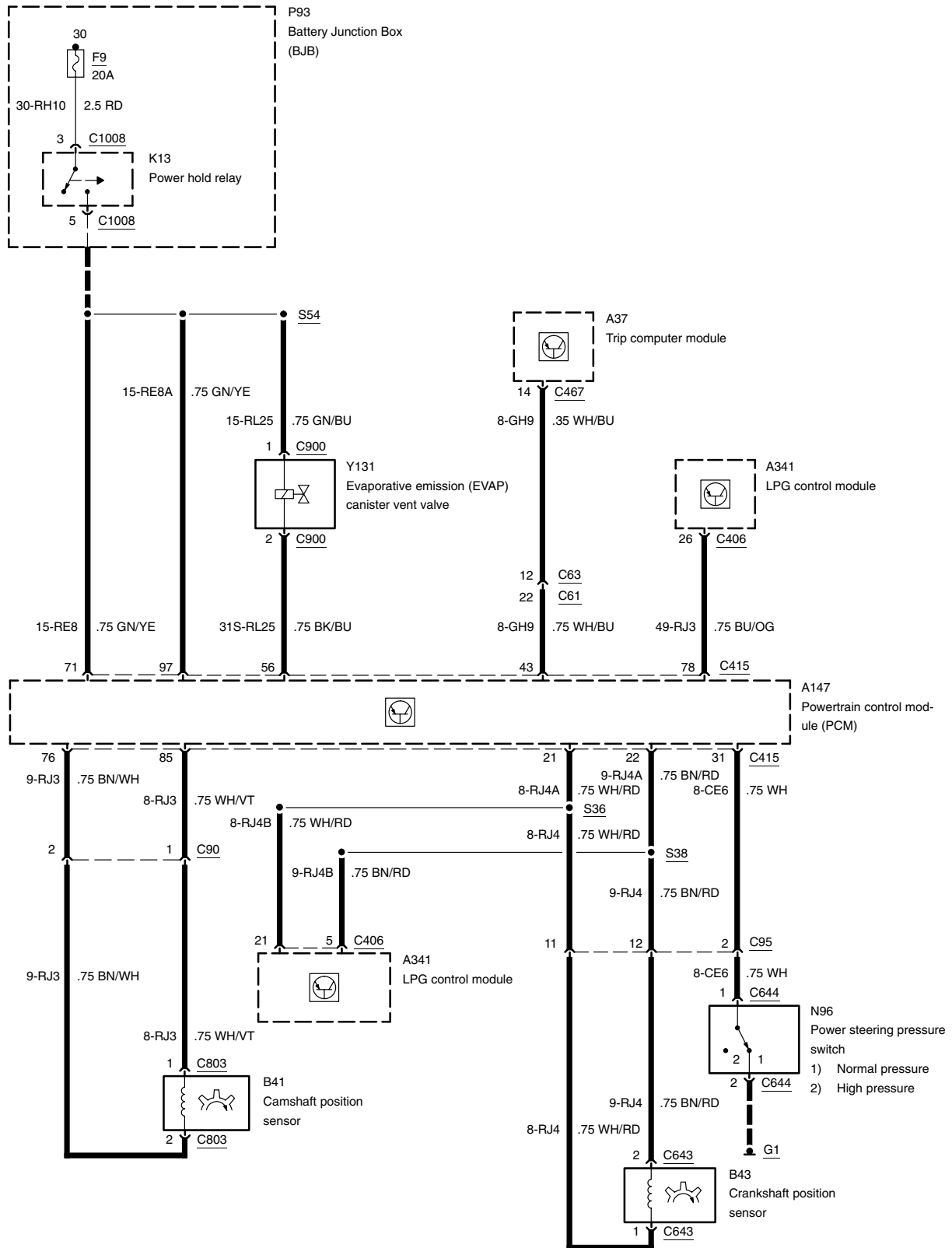


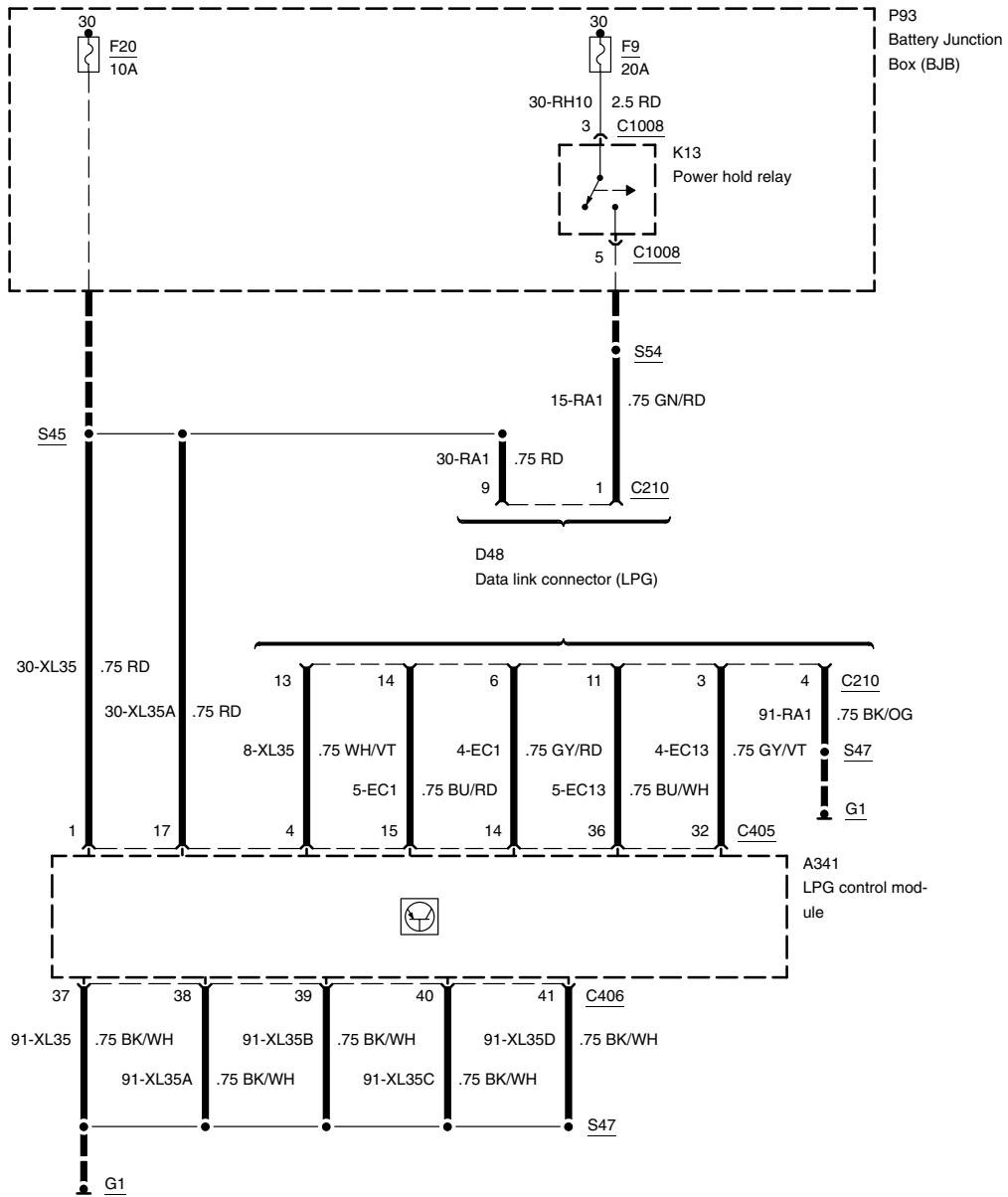


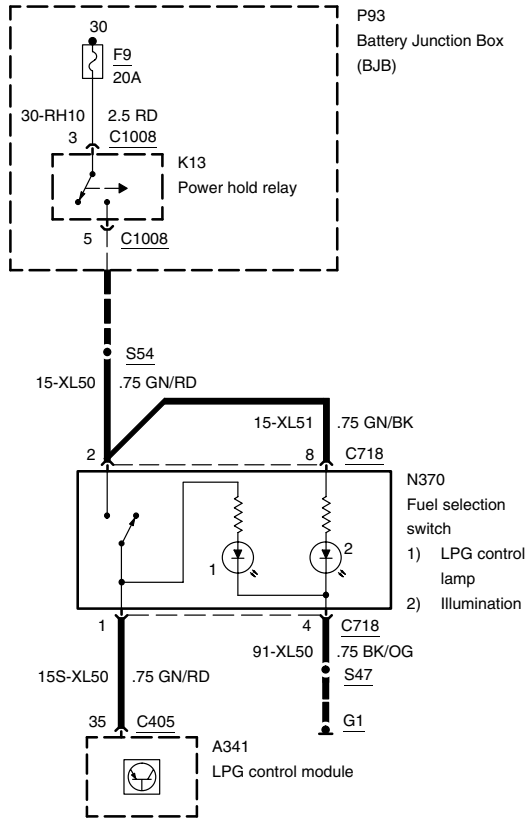




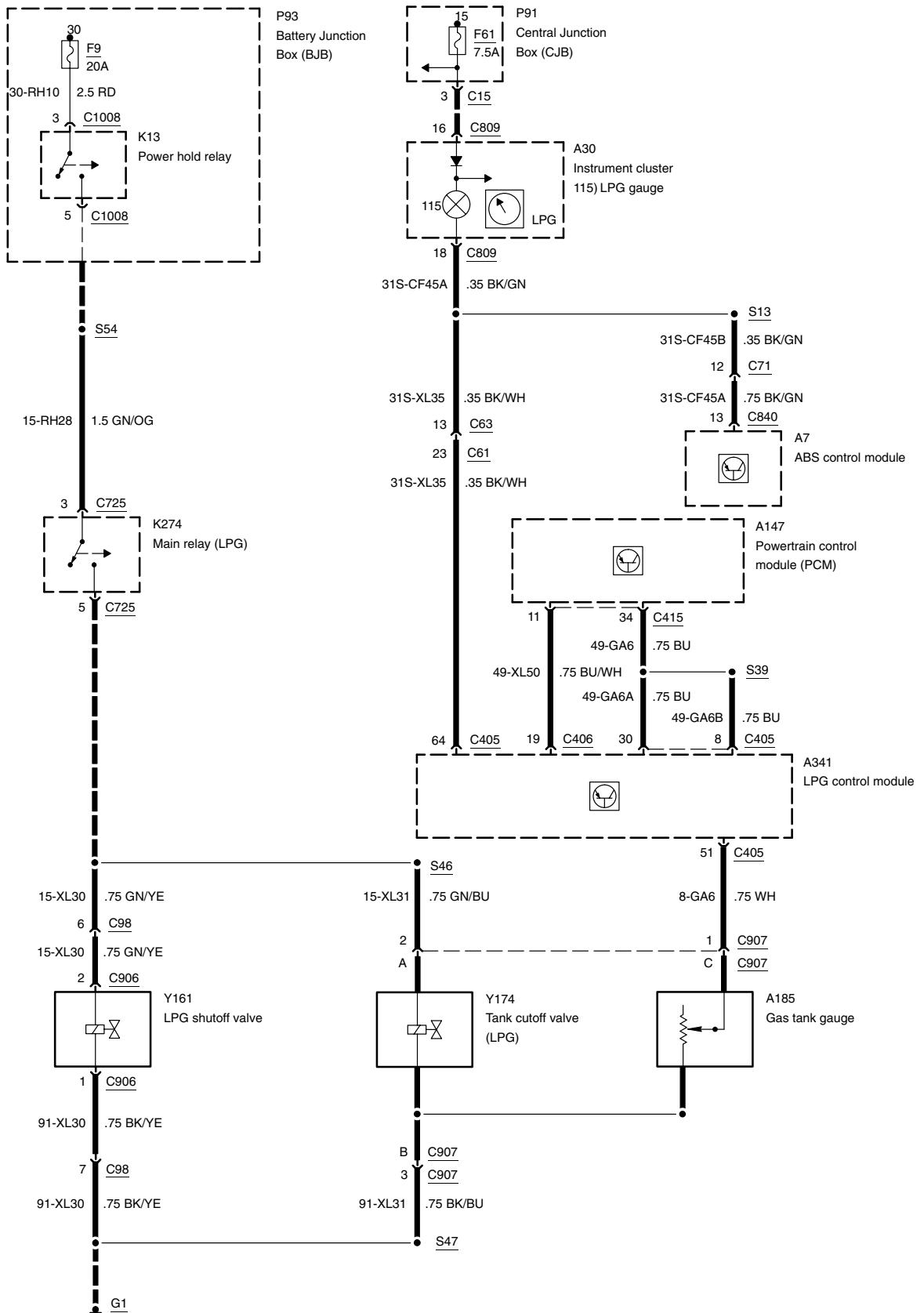






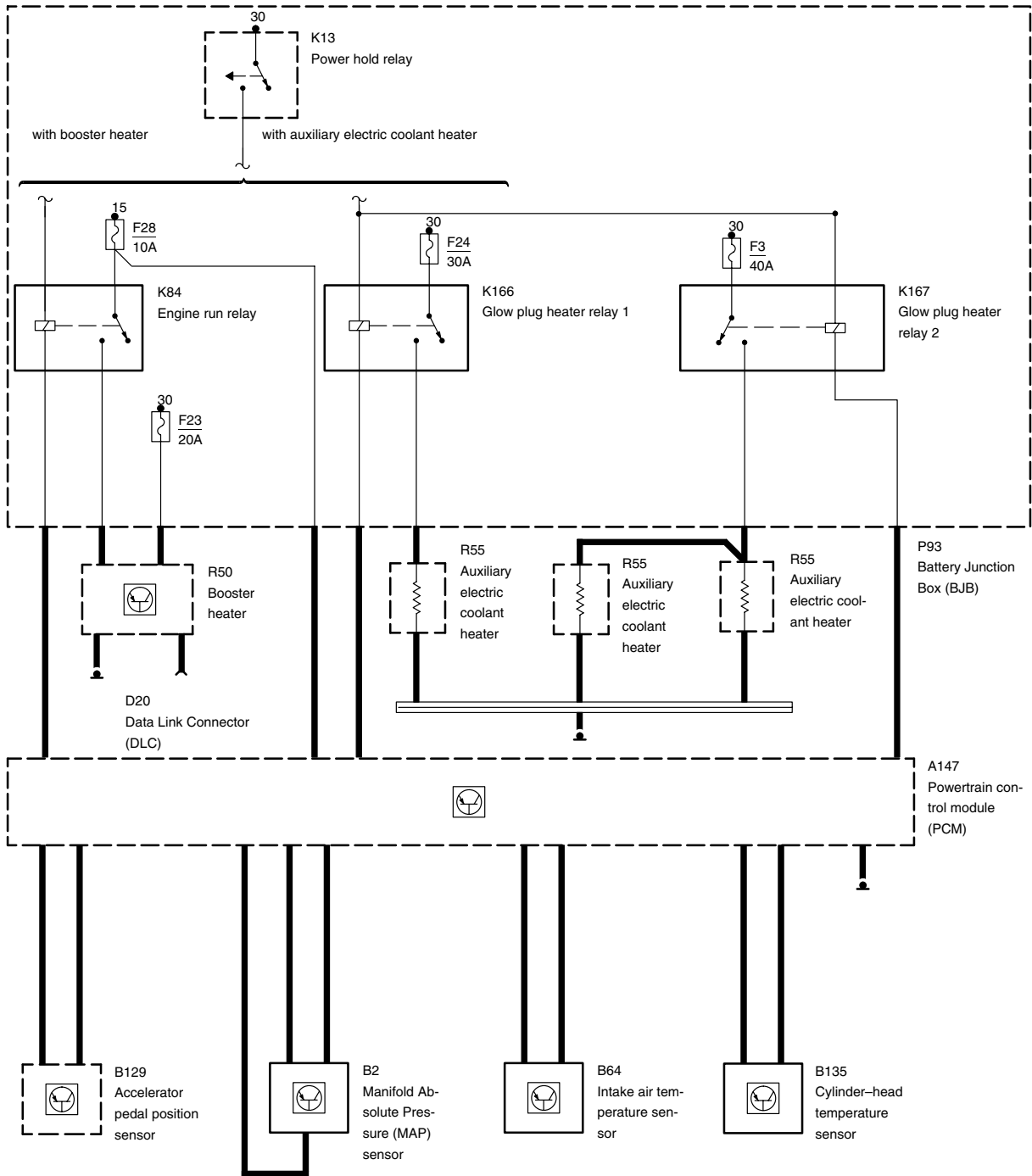




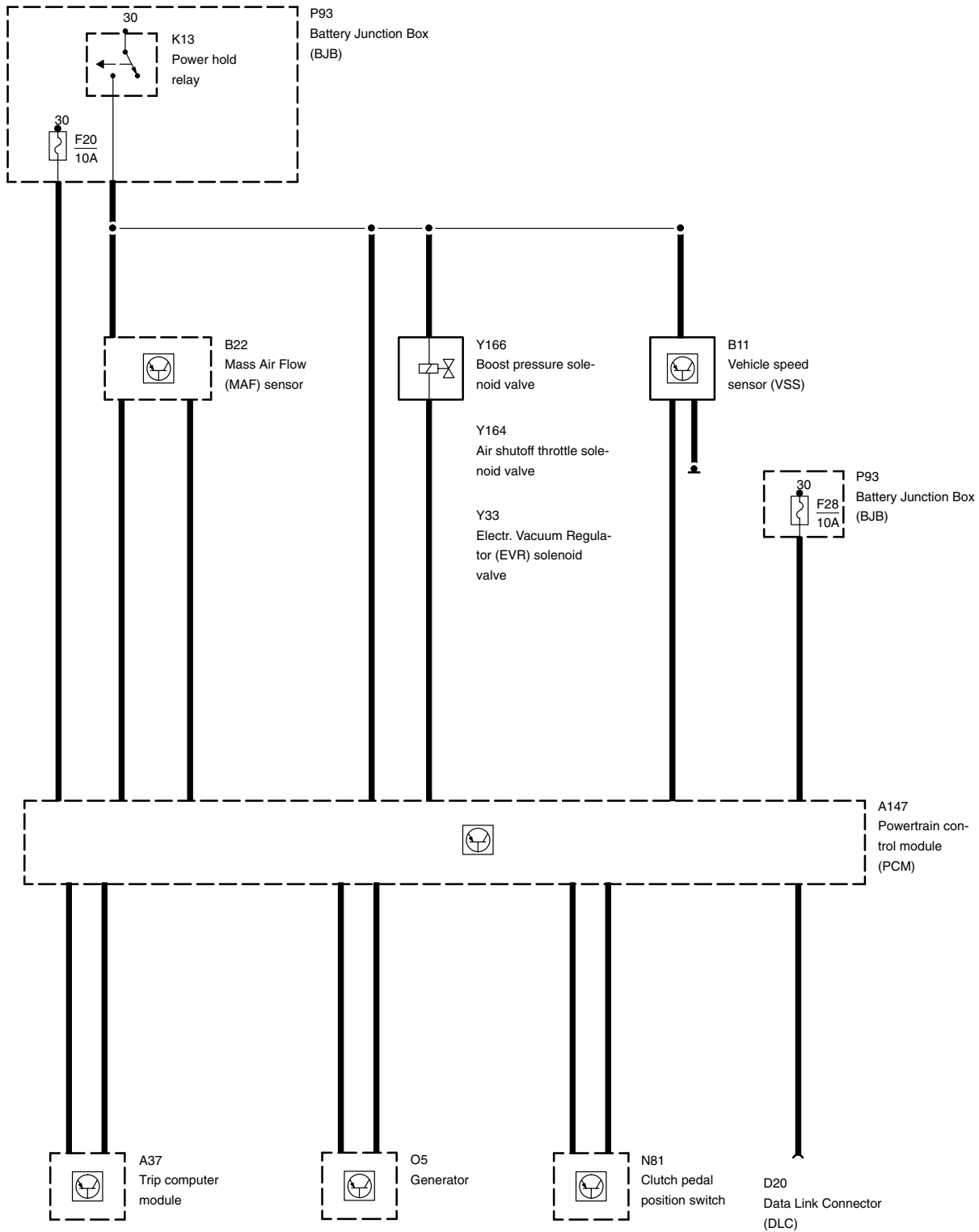


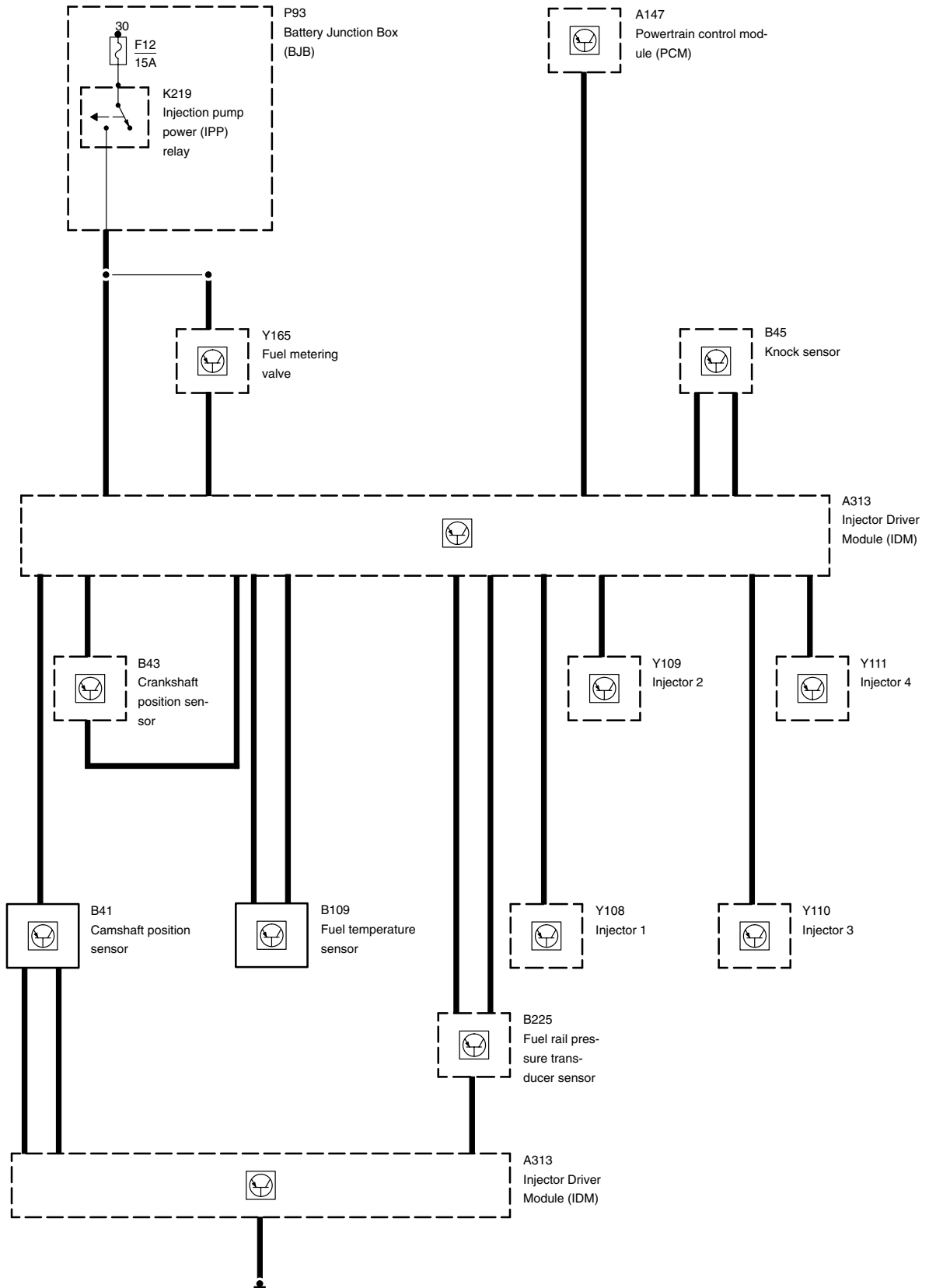


-A

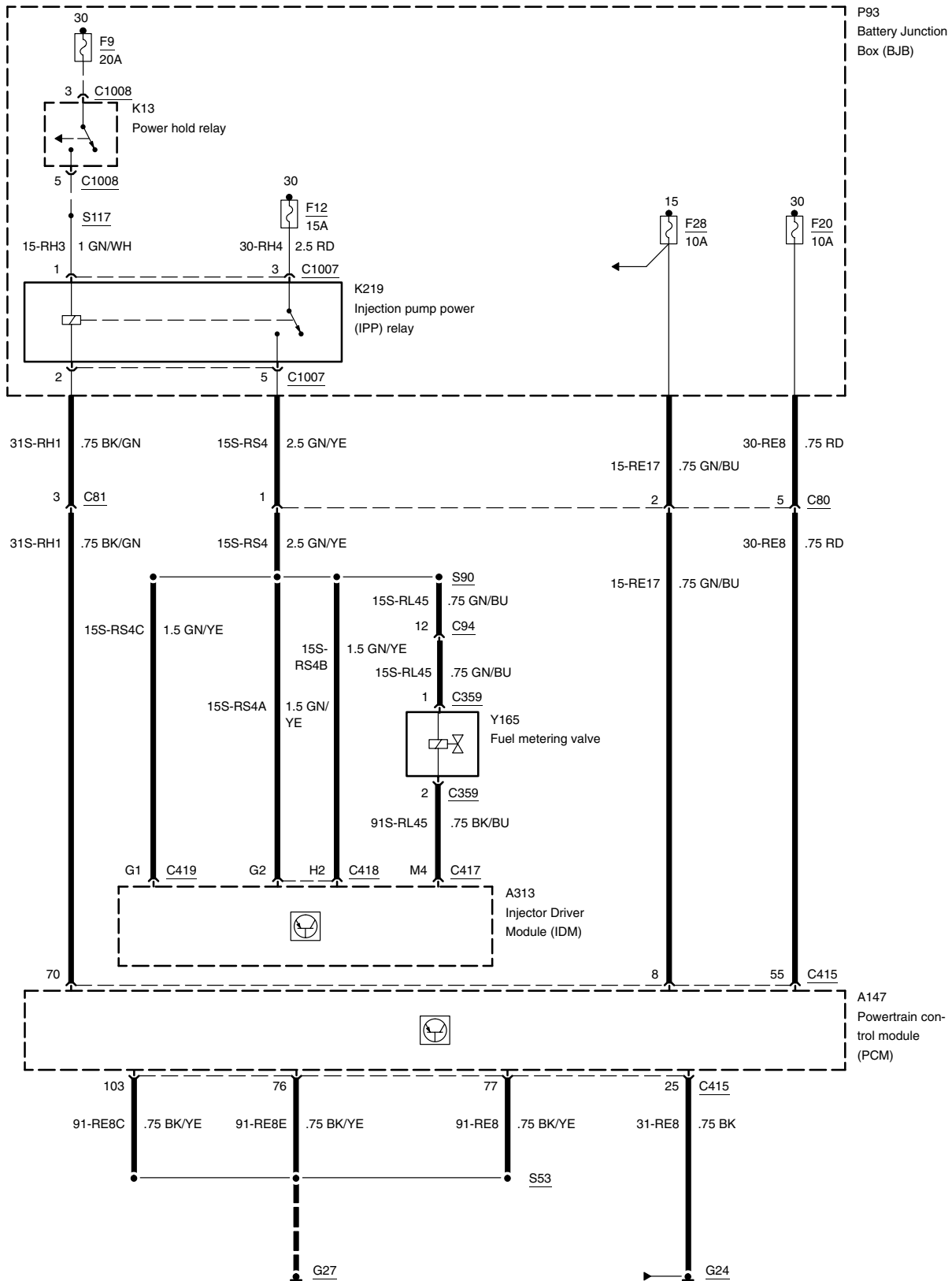


-B

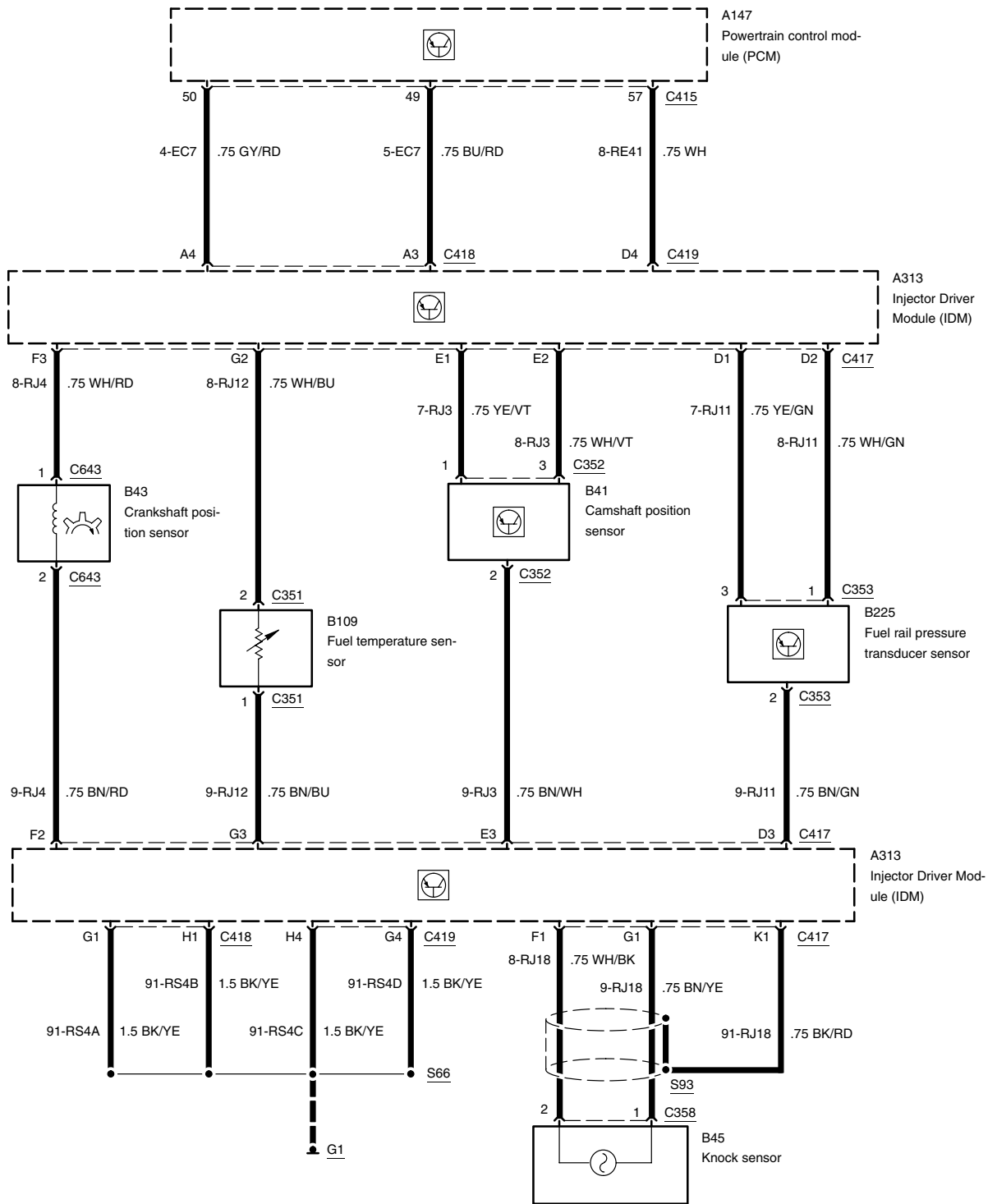




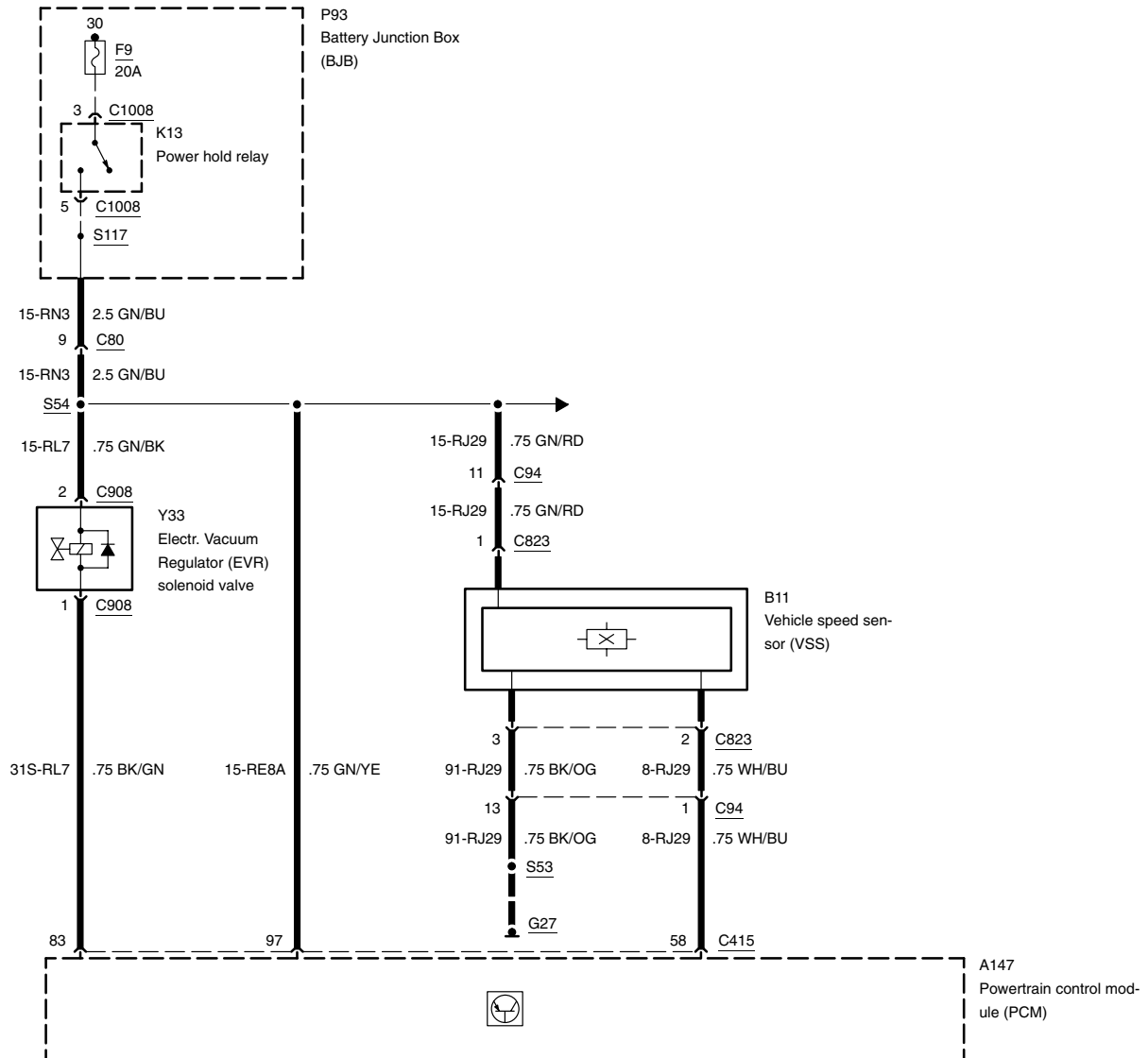
85kW Duratorq TDCi before 08/2002



85kW Duratorq TDCi before 08/2002

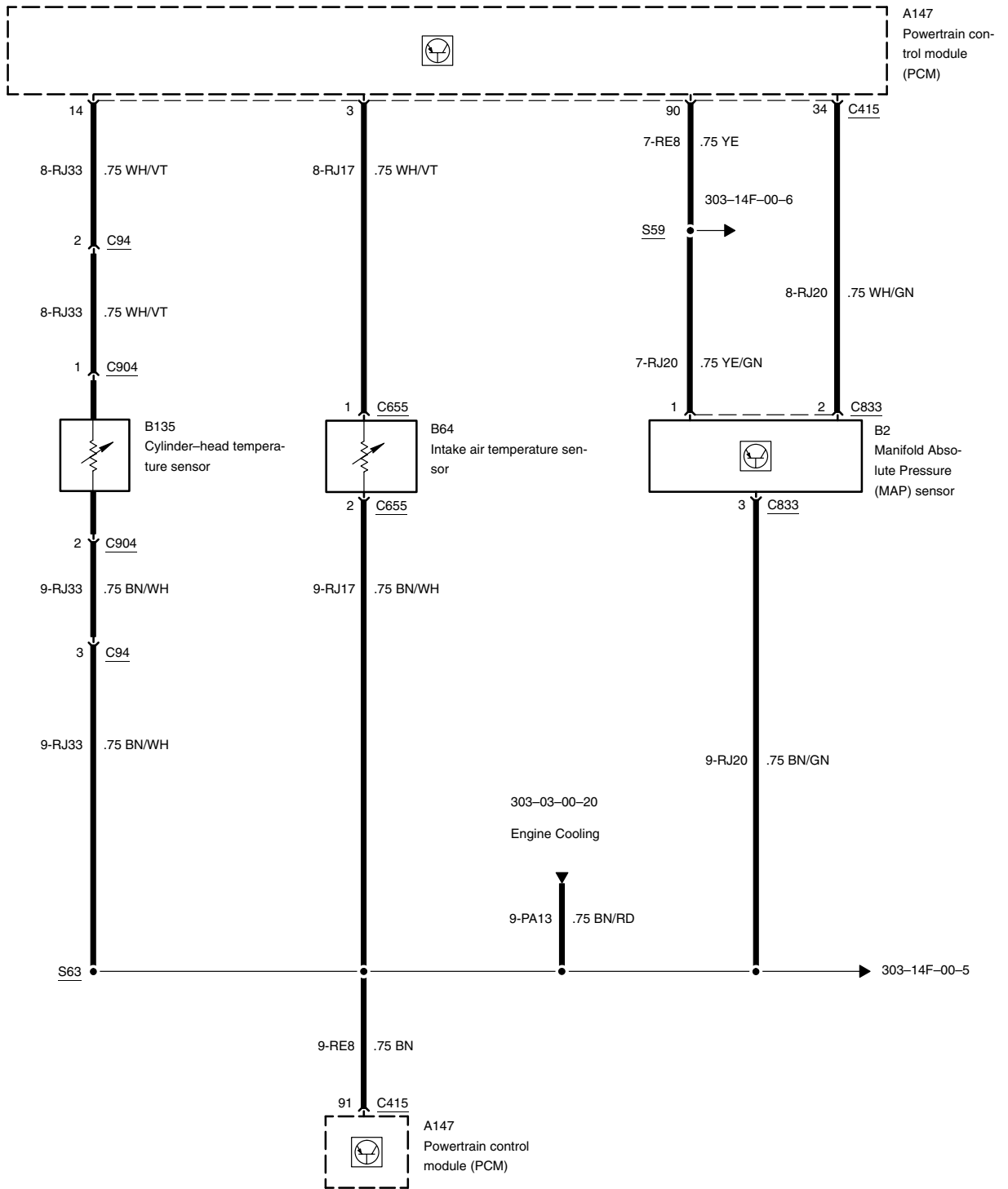


85kW Duratorq TDCi before 08/2002

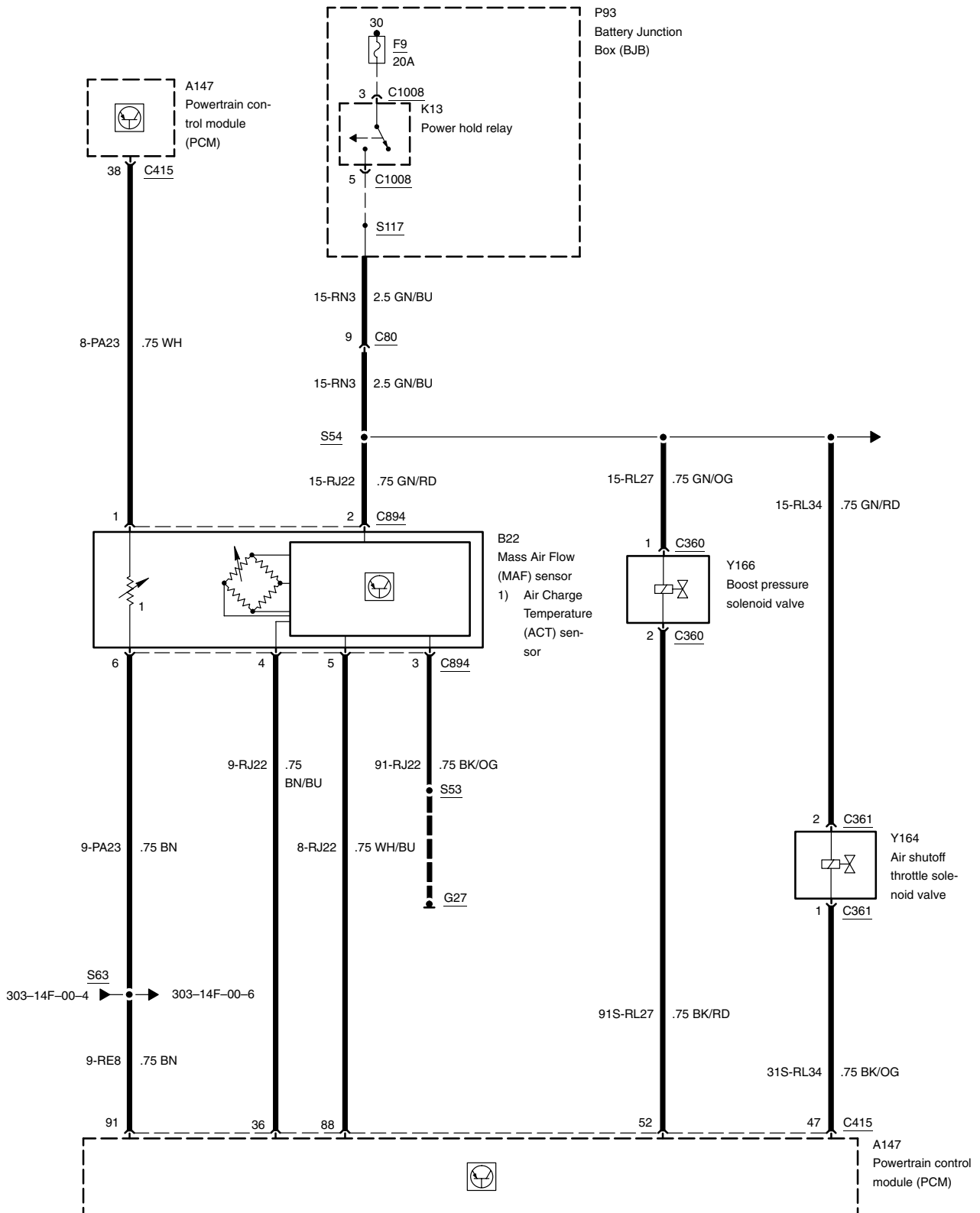




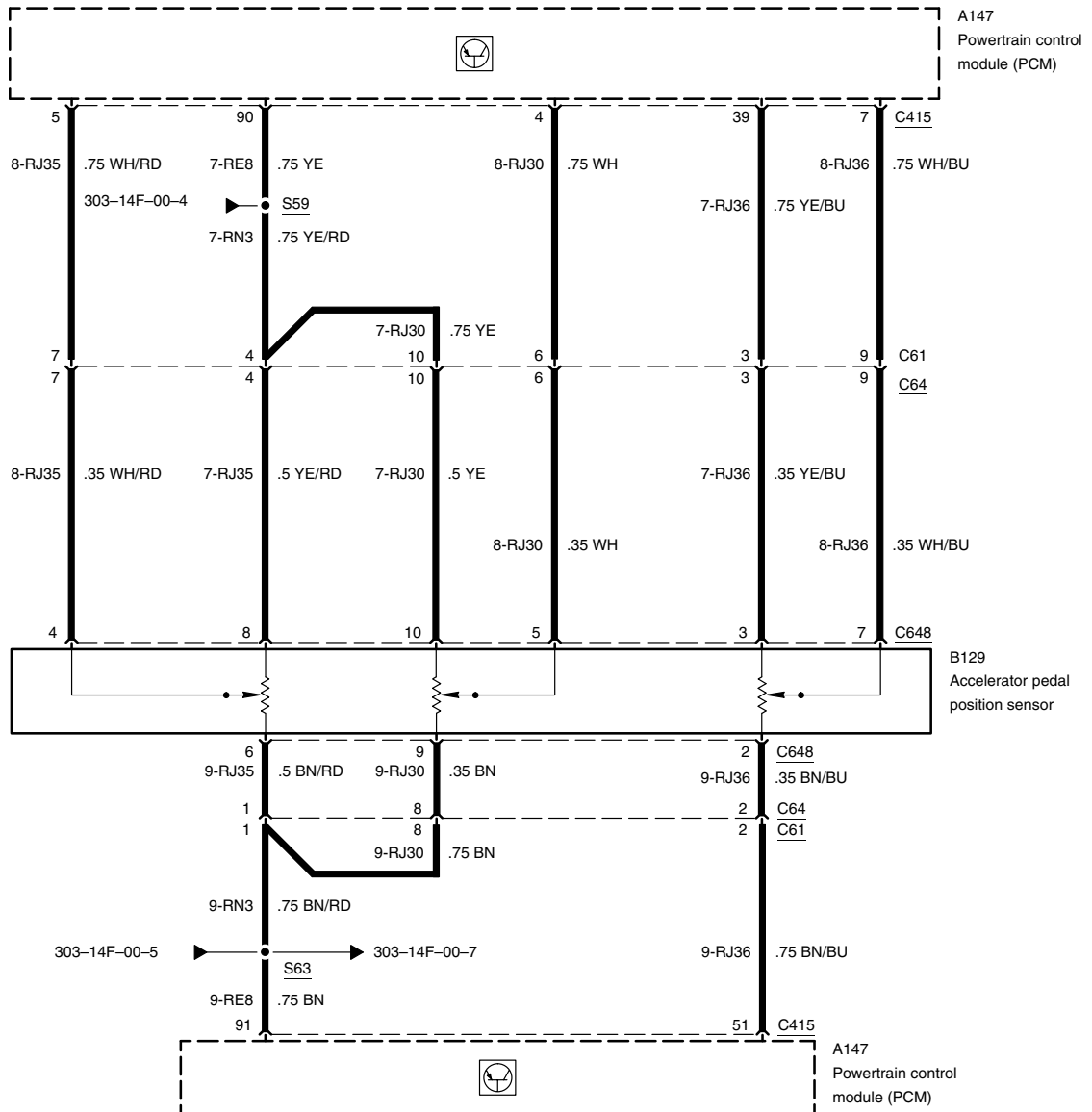
85kW Duratorq TDCi before 08/2002



85kW Duratorq TDCi before 08/2002

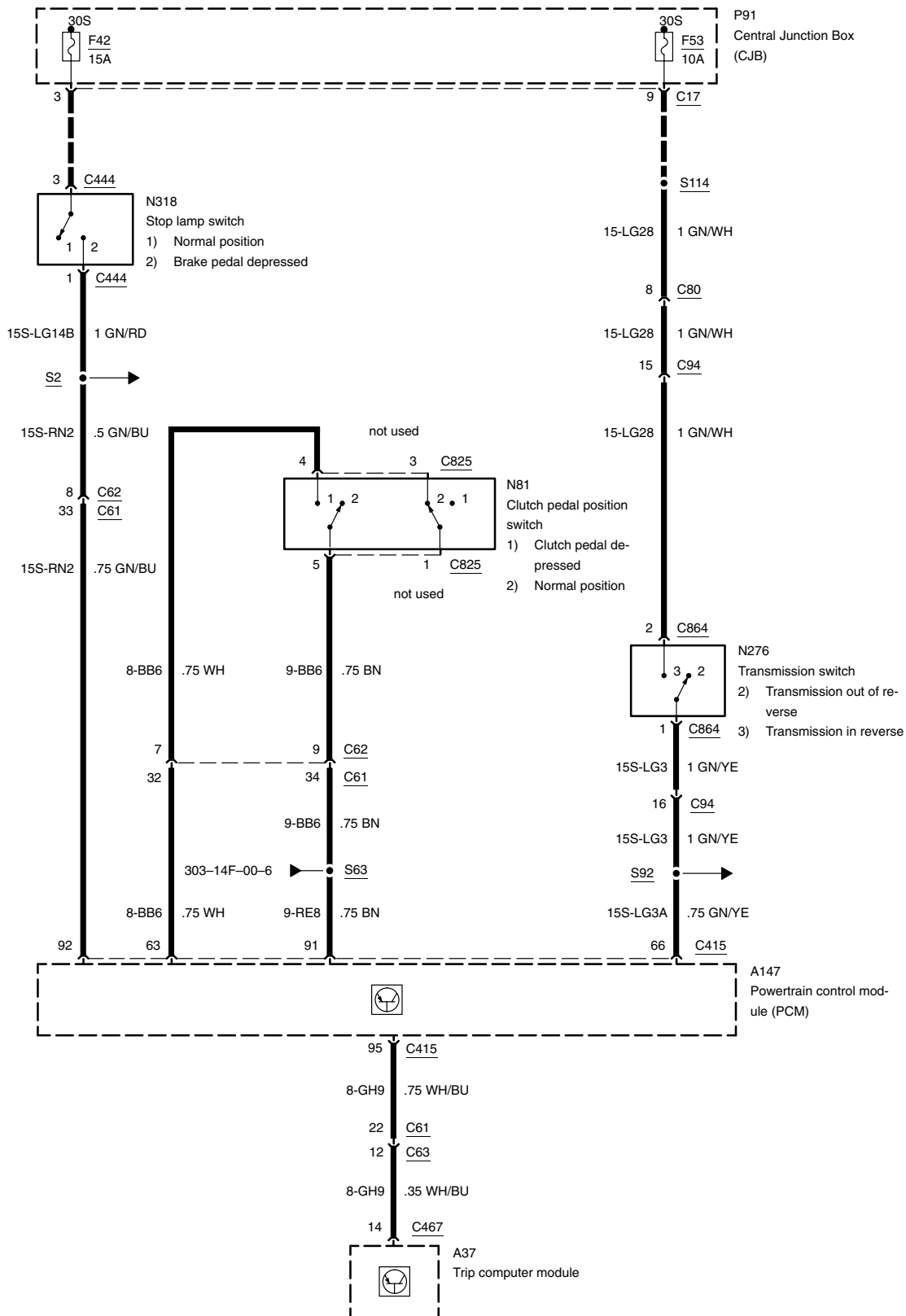


85kW Duratorq TDCi before 08/2002

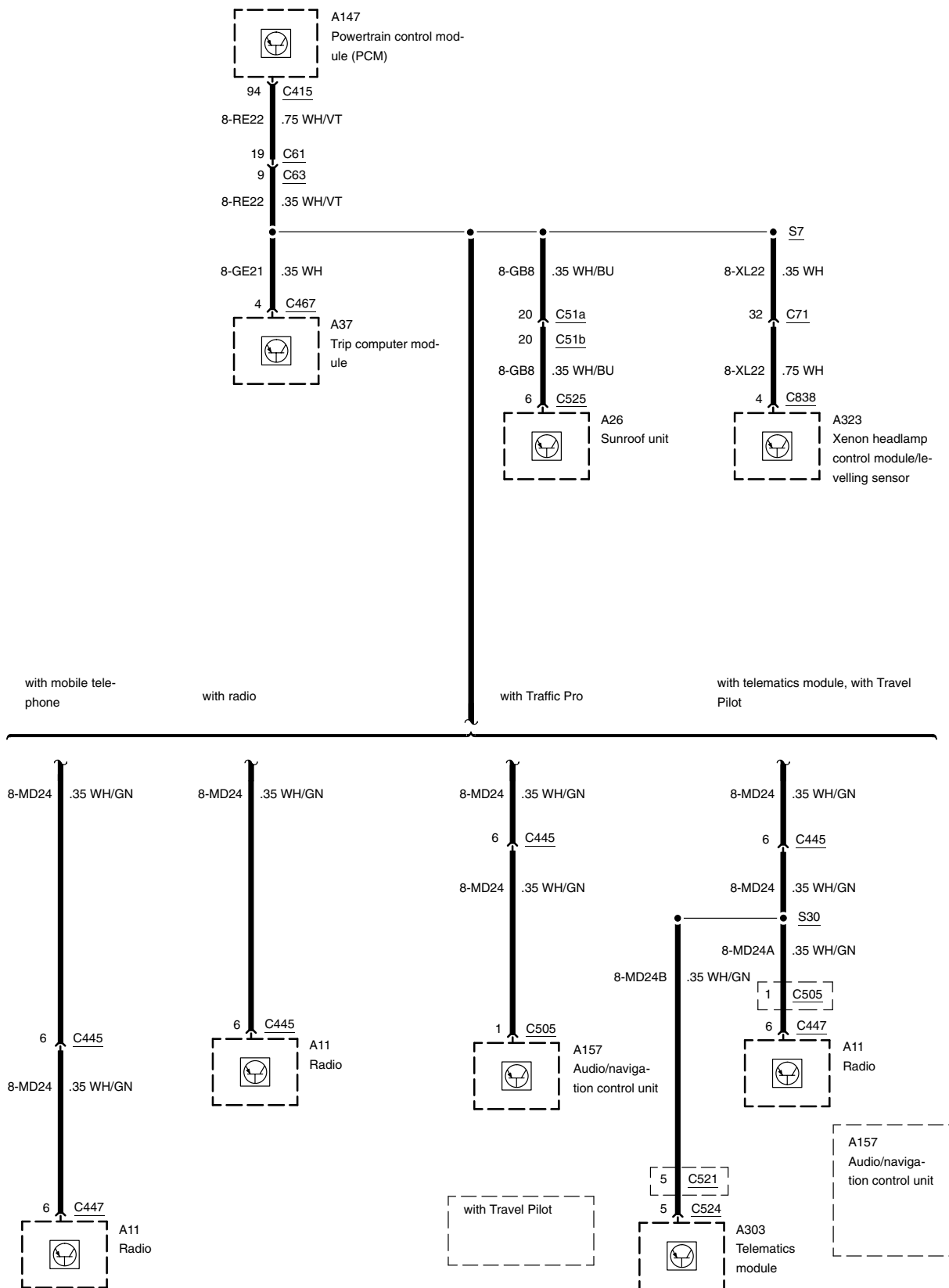


85kW Duratorq TDCi before 08/2002

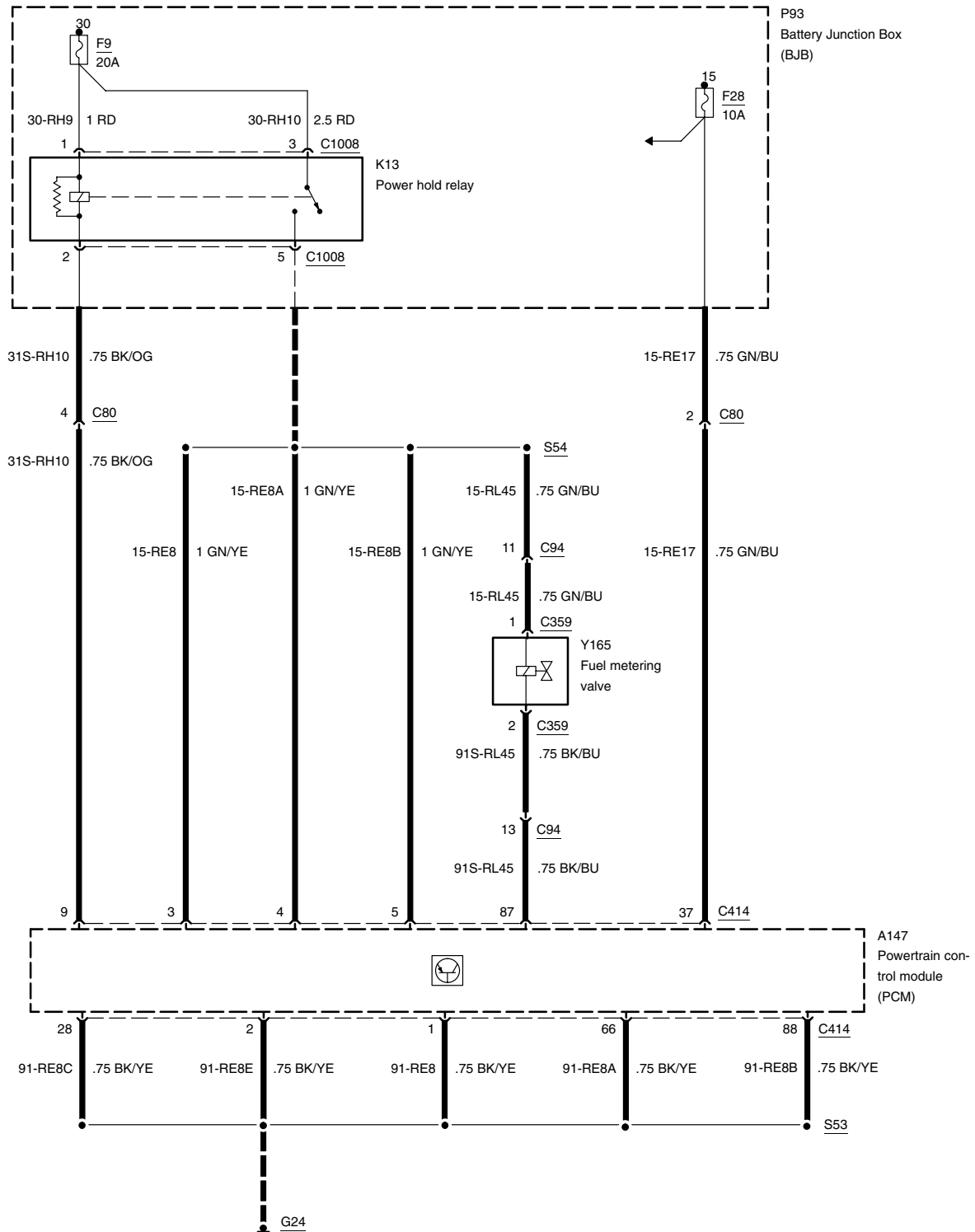
-7



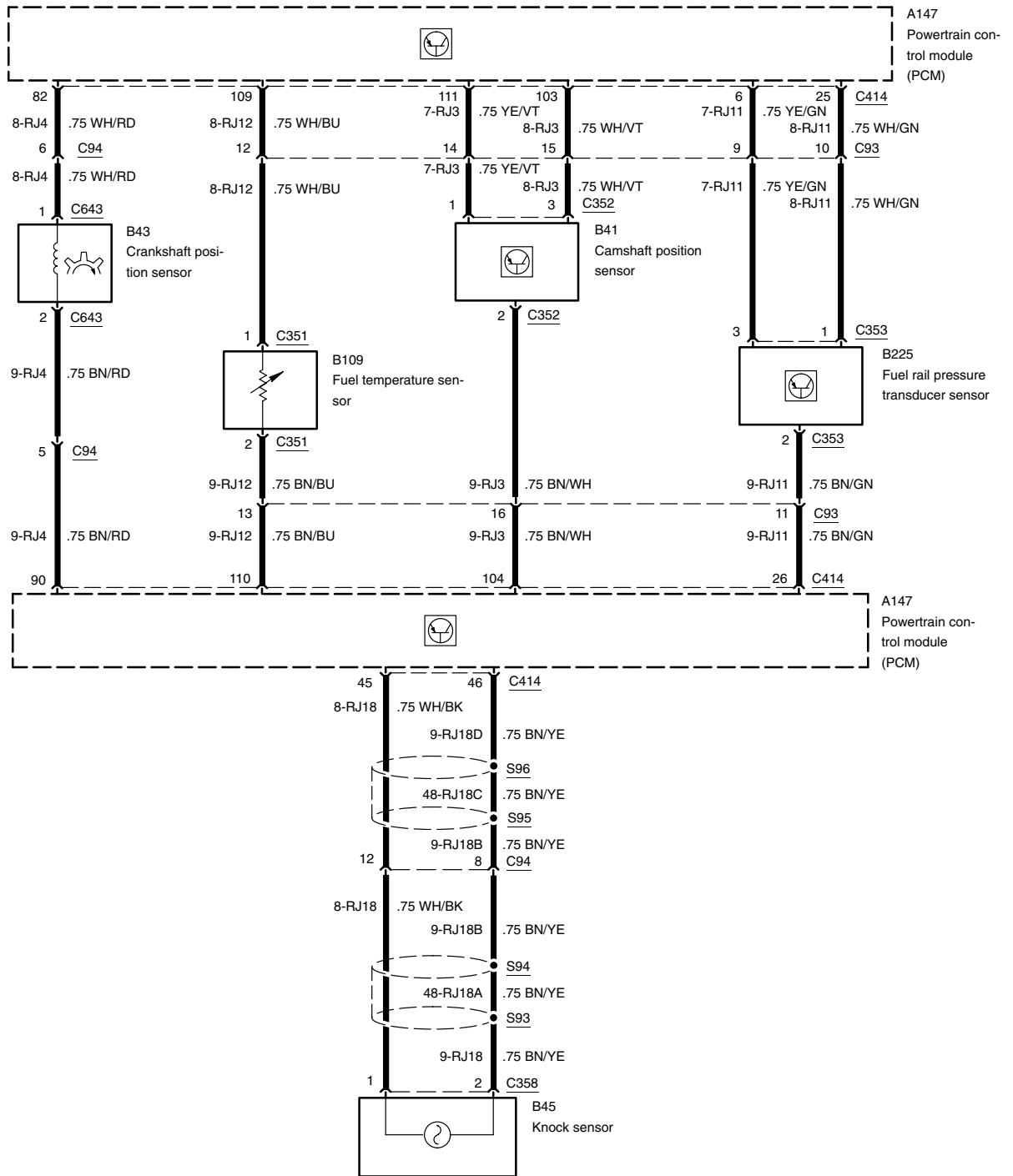
85kW Duratorq TDCi before 08/2002



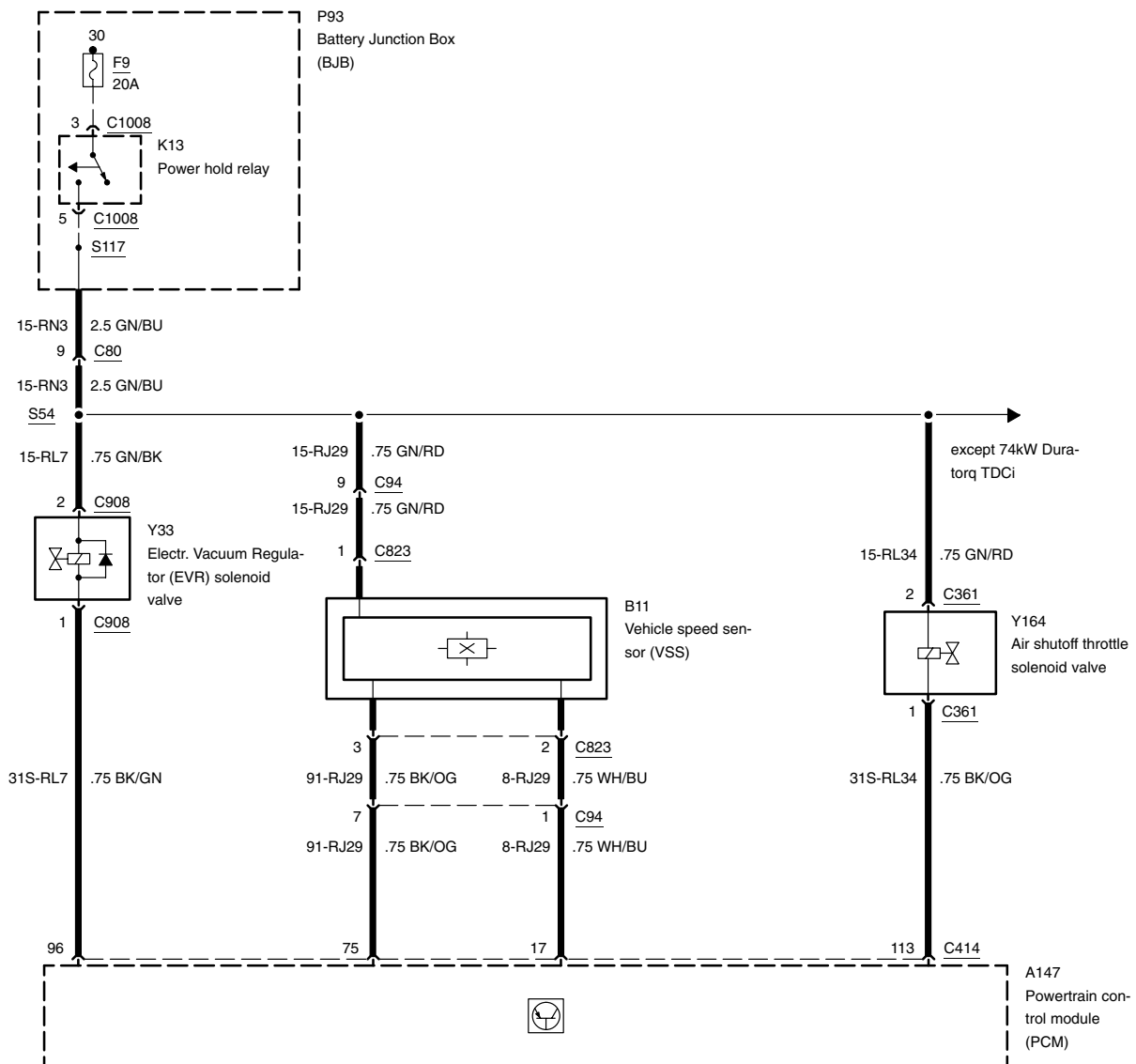
74kW Duratorq TDCi, 85kW Duratorq TDCi as of 08/2002



74kW Duratorq TDCi, 85kW Duratorq TDCi as of 08/2002

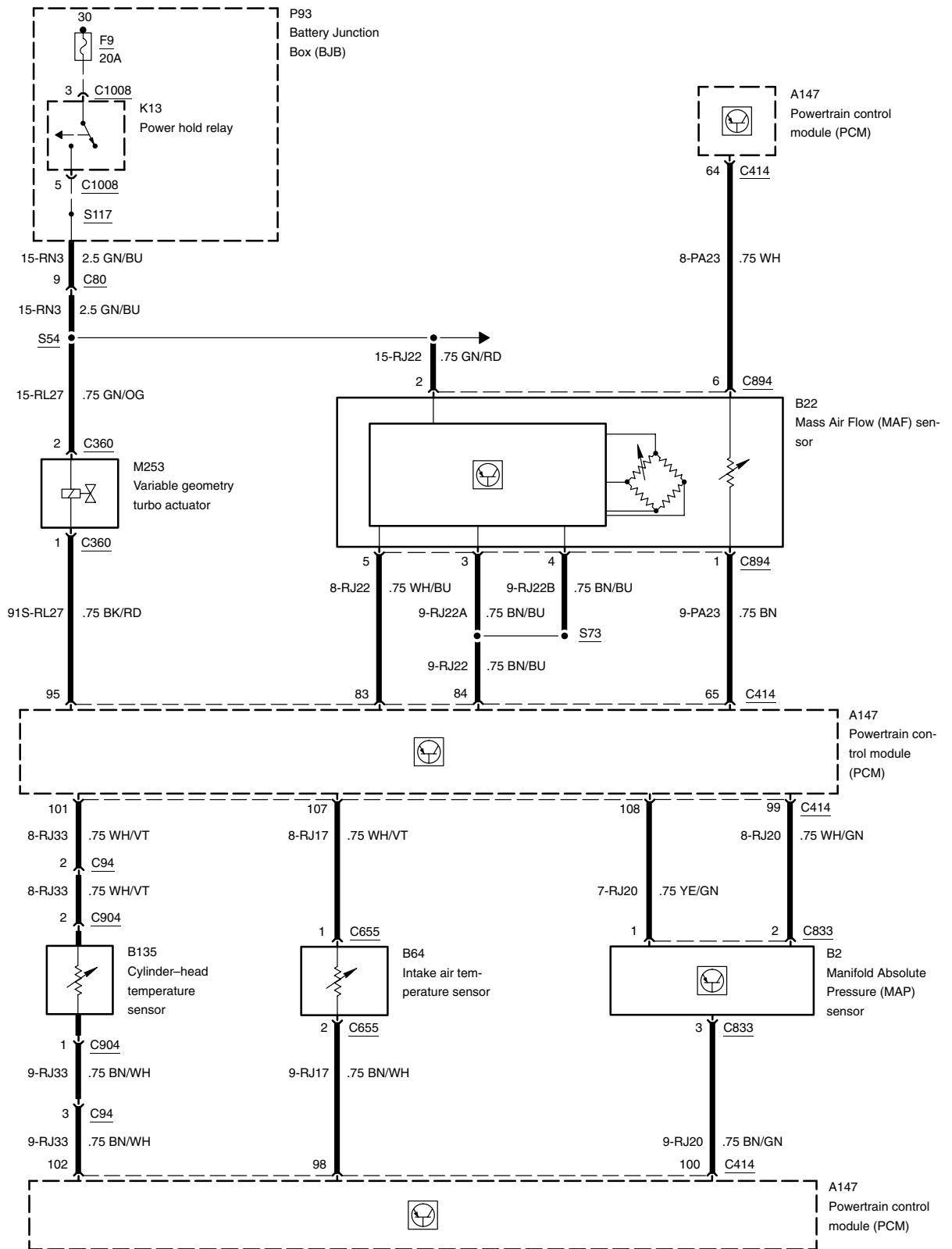


74kW Duratorq TDCi, 85kW Duratorq TDCi as of 08/2002

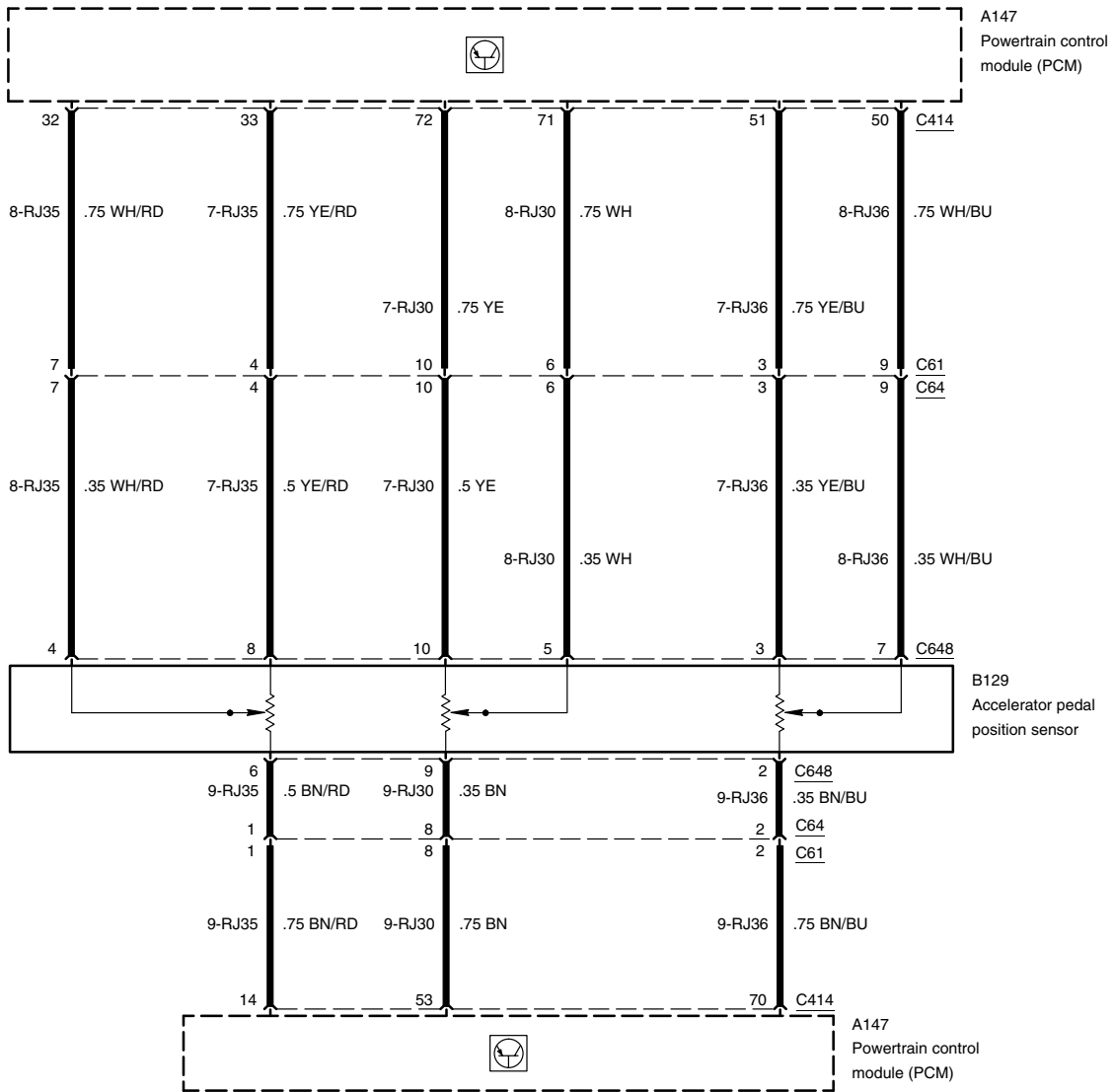




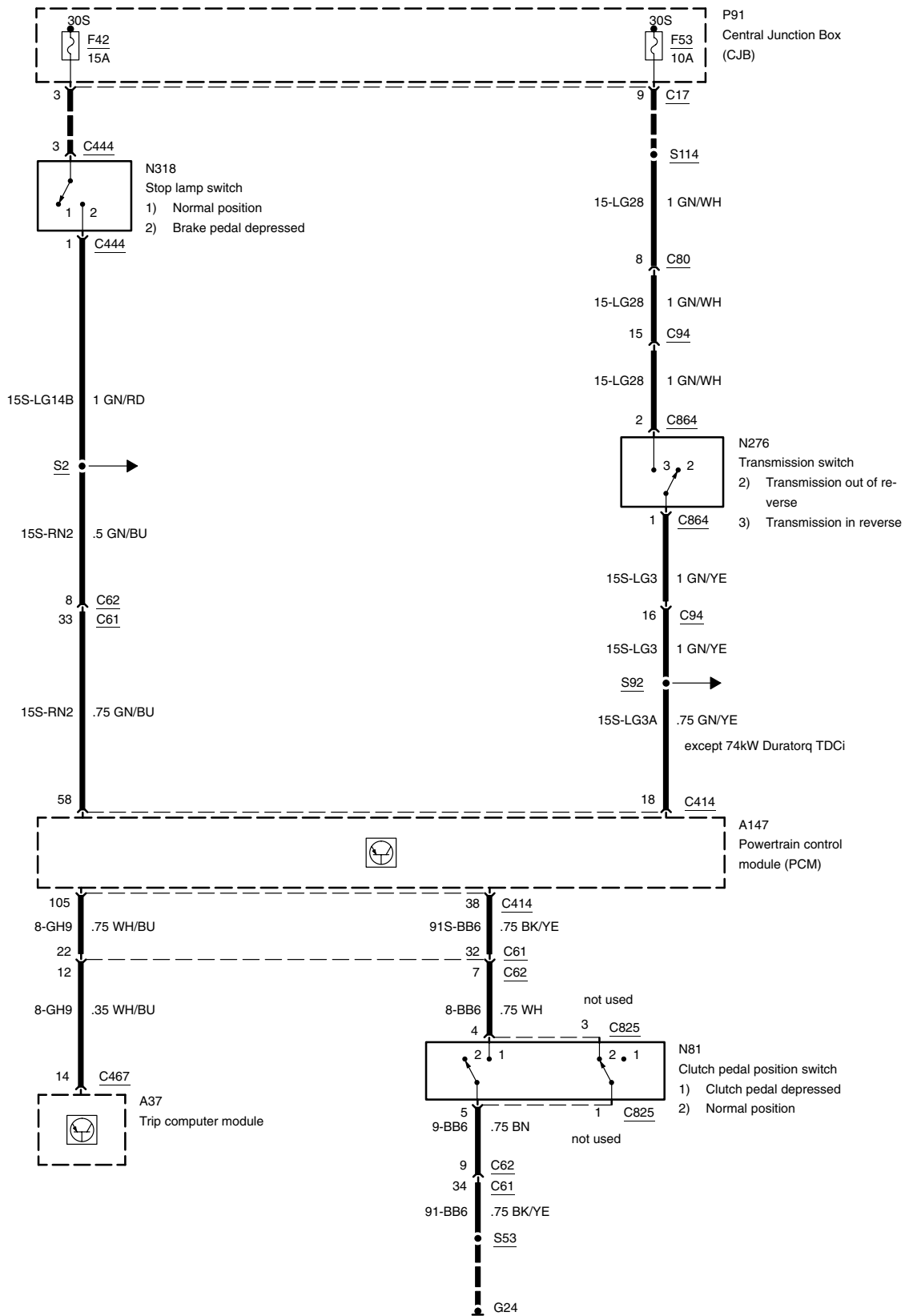
74kW Duratorq TDCi, 85kW Duratorq TDCi as of 08/2002



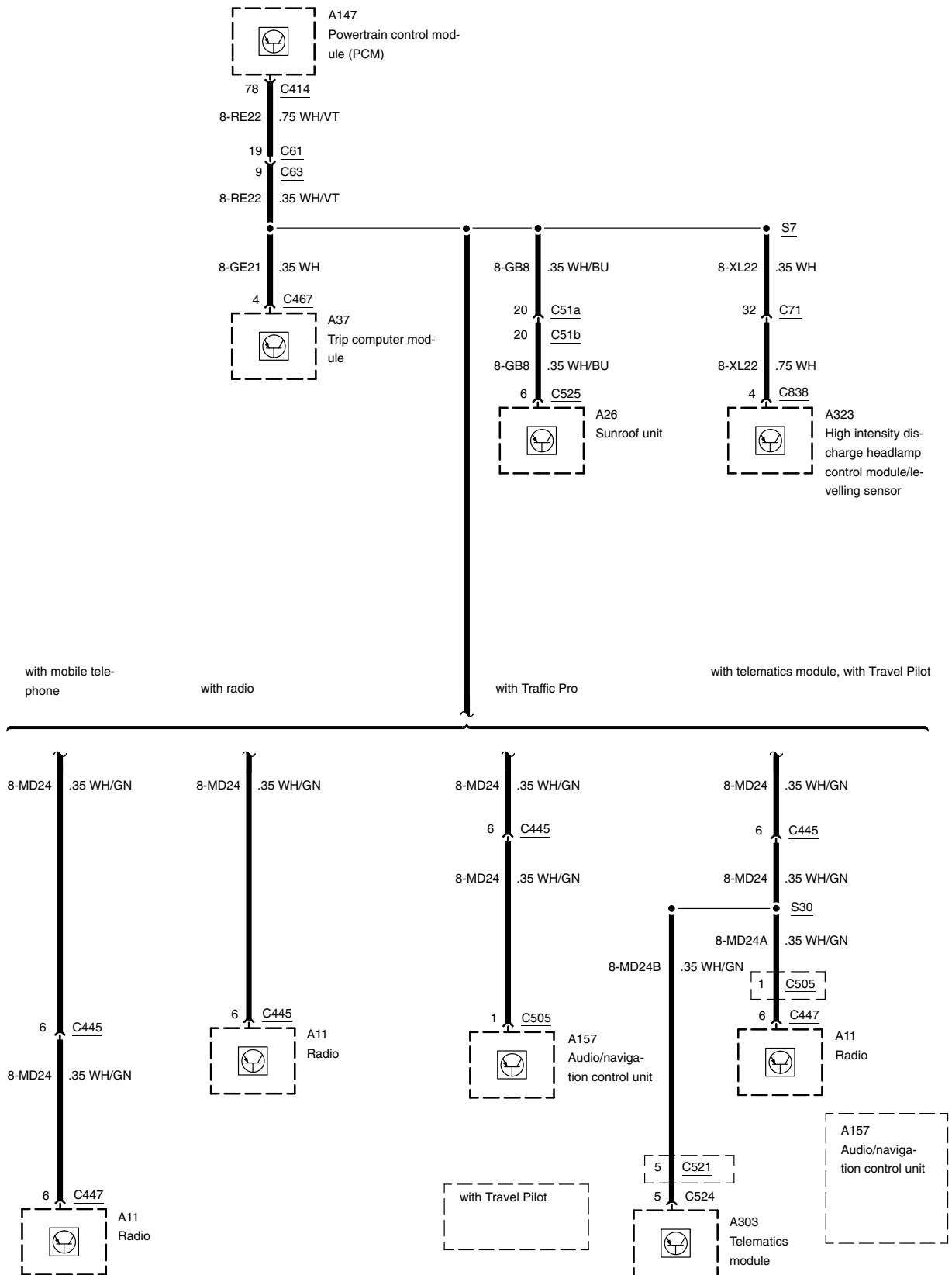
74kW Duratorq TDCi, 85kW Duratorq TDCi as of 08/2002



74kW Duratorq TDCi, 85kW Duratorq TDCi as of 08/2002

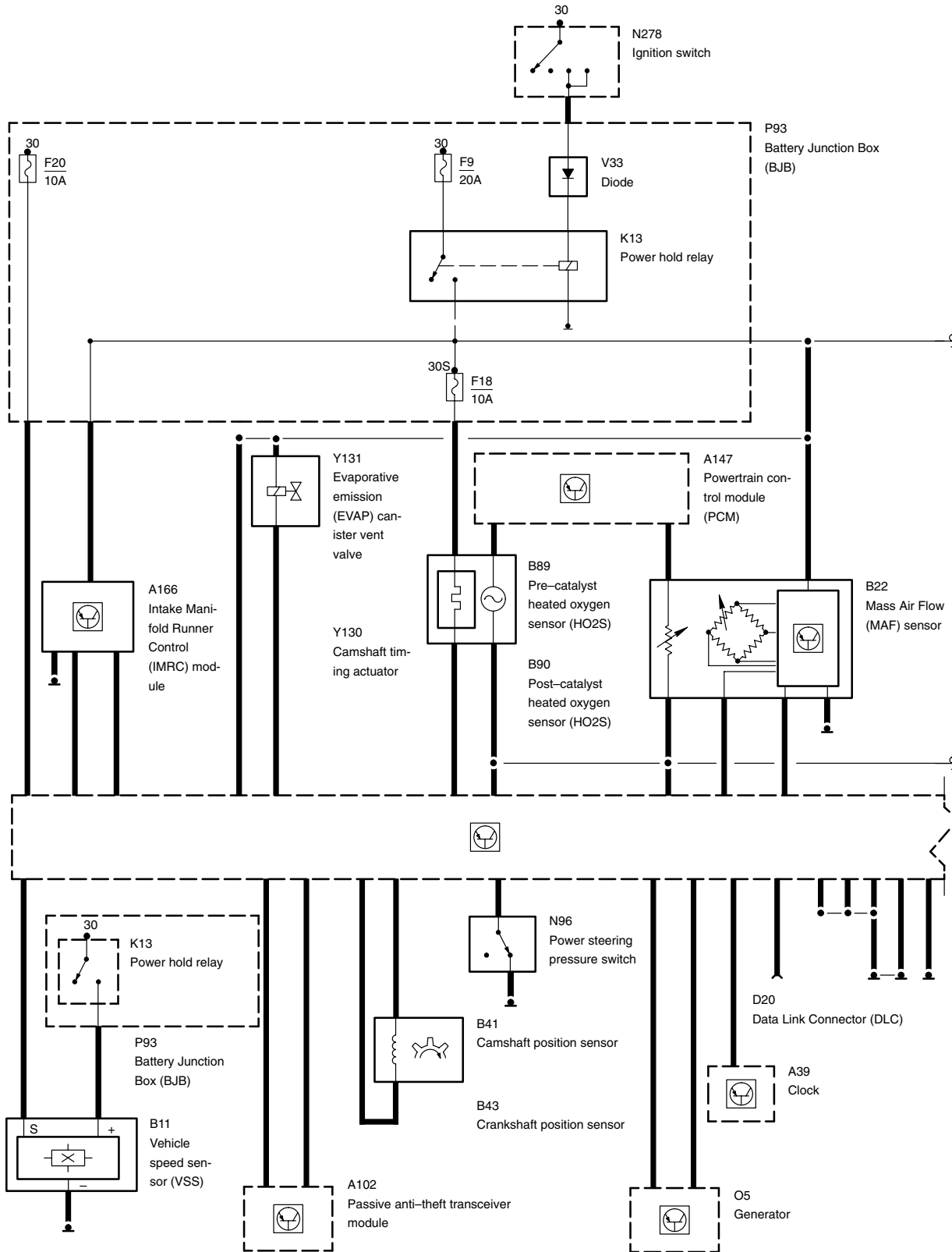


74kW Duratorq TDCi, 85kW Duratorq TDCi as of 08/2002

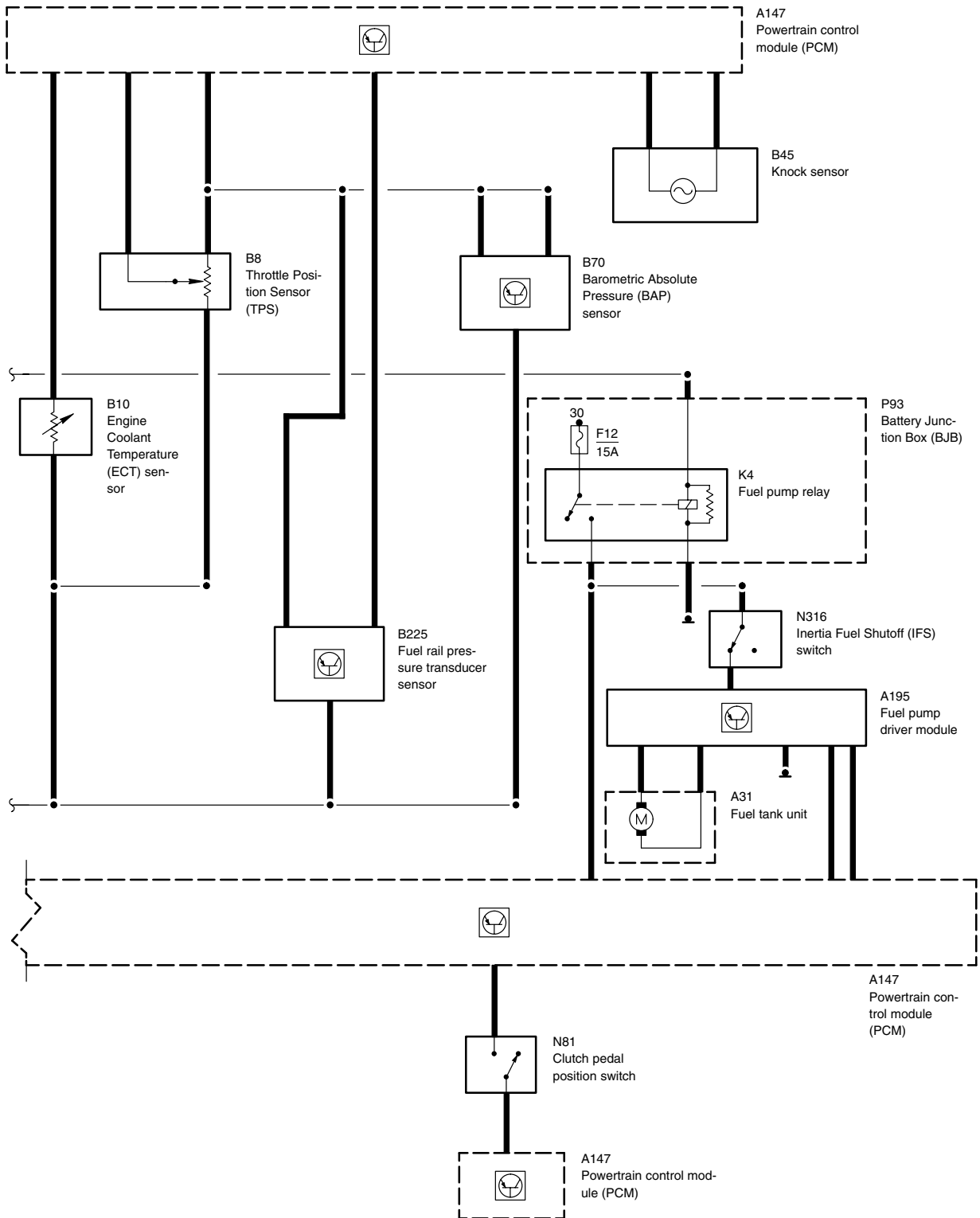


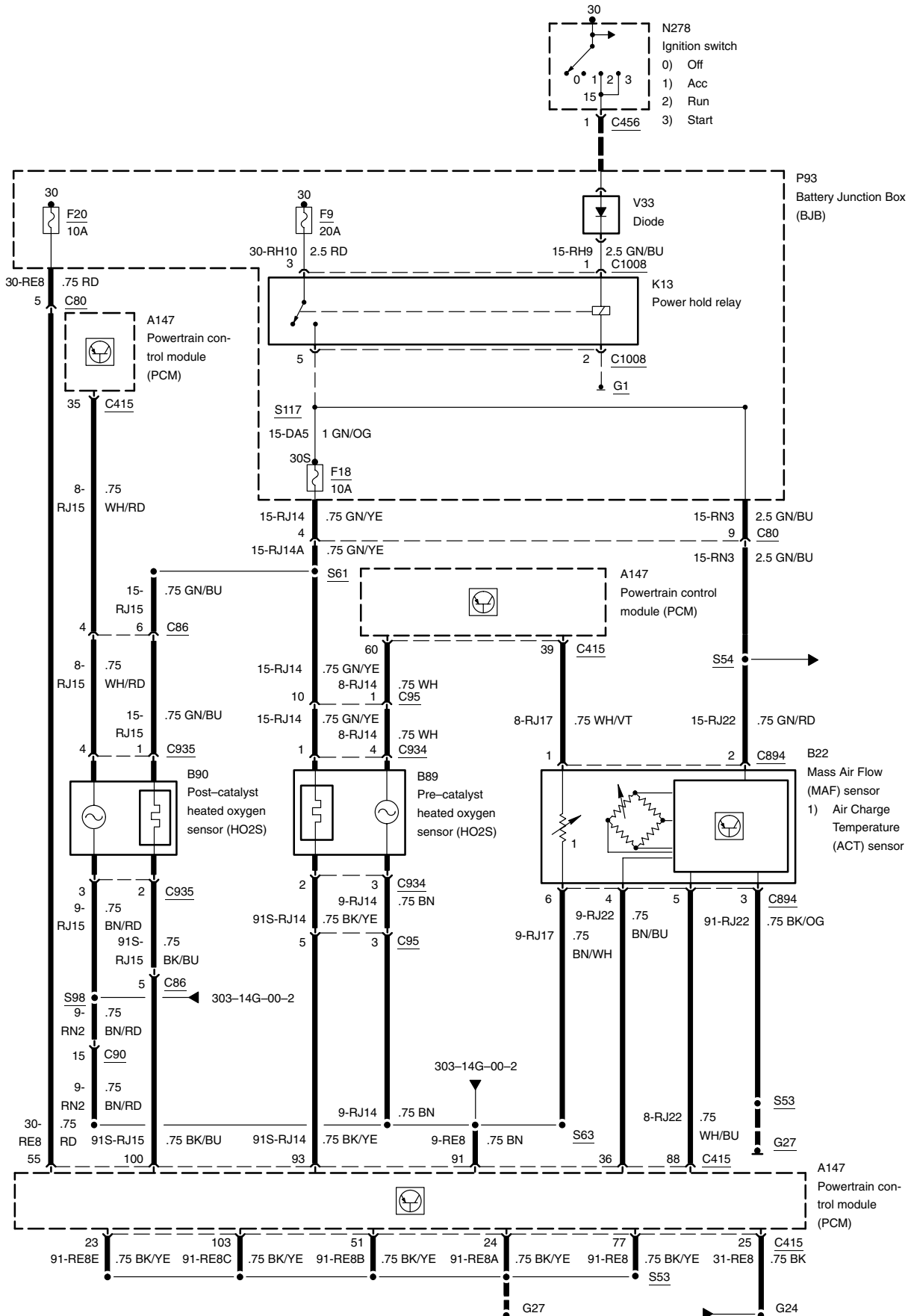


-A

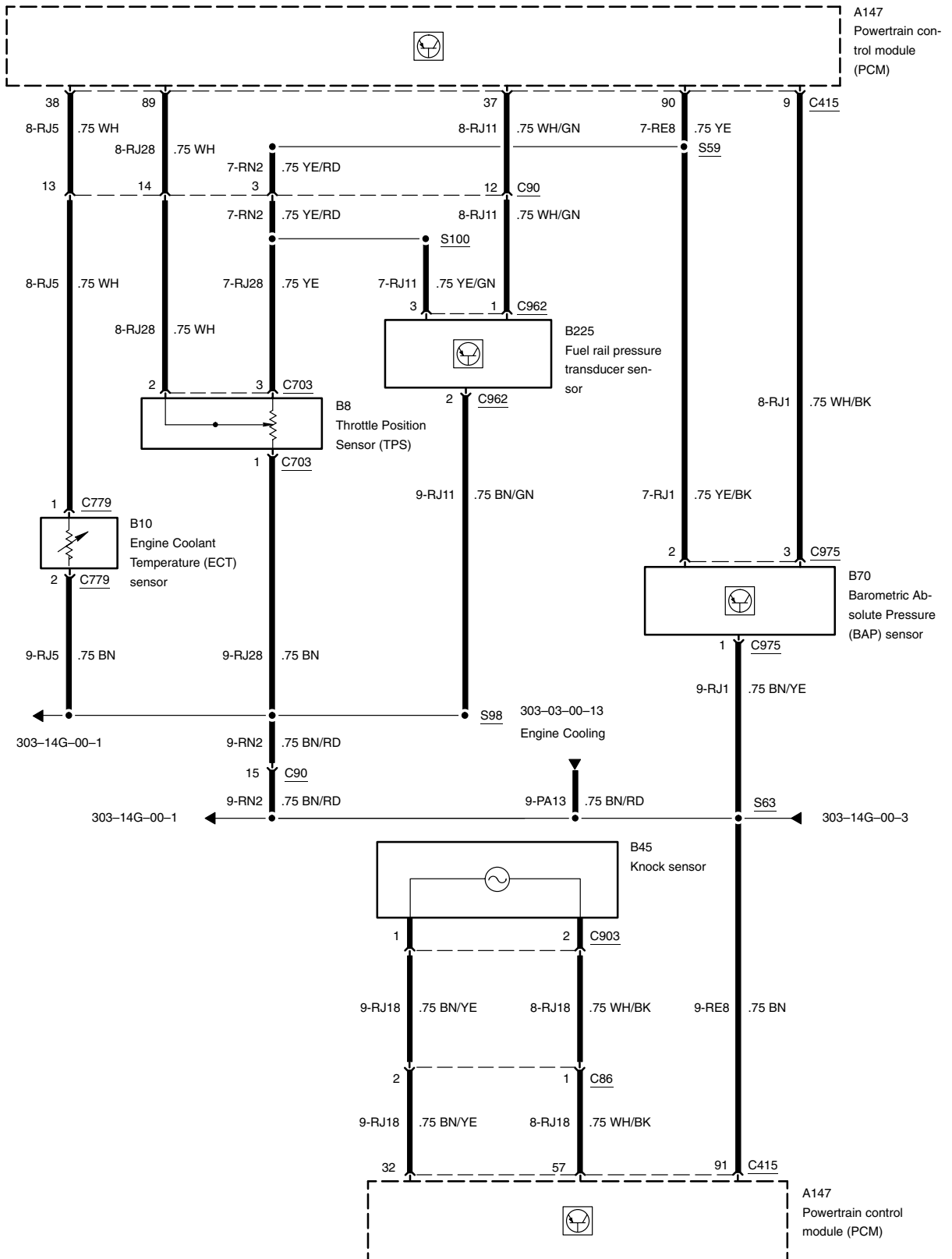


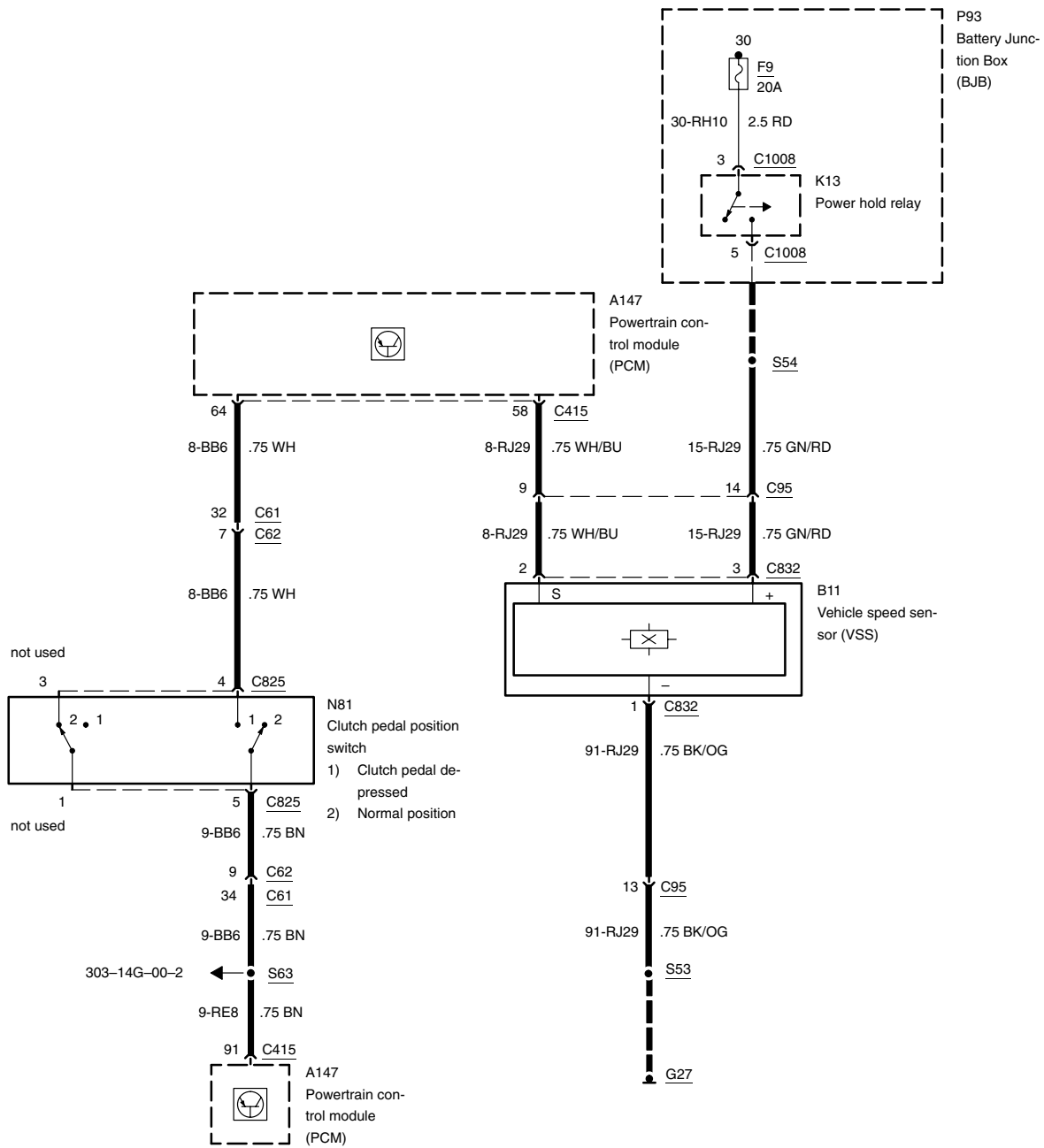
-B

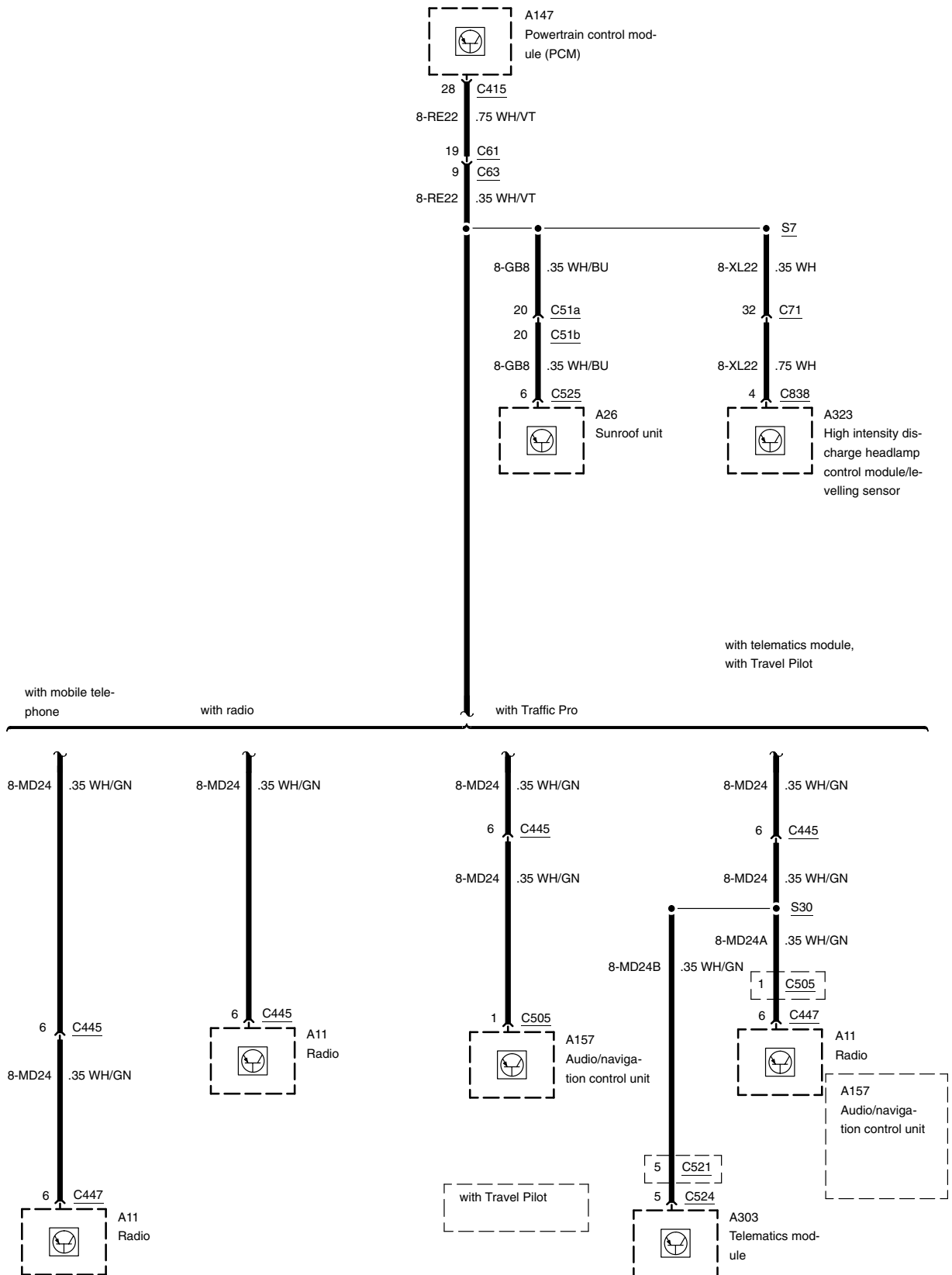


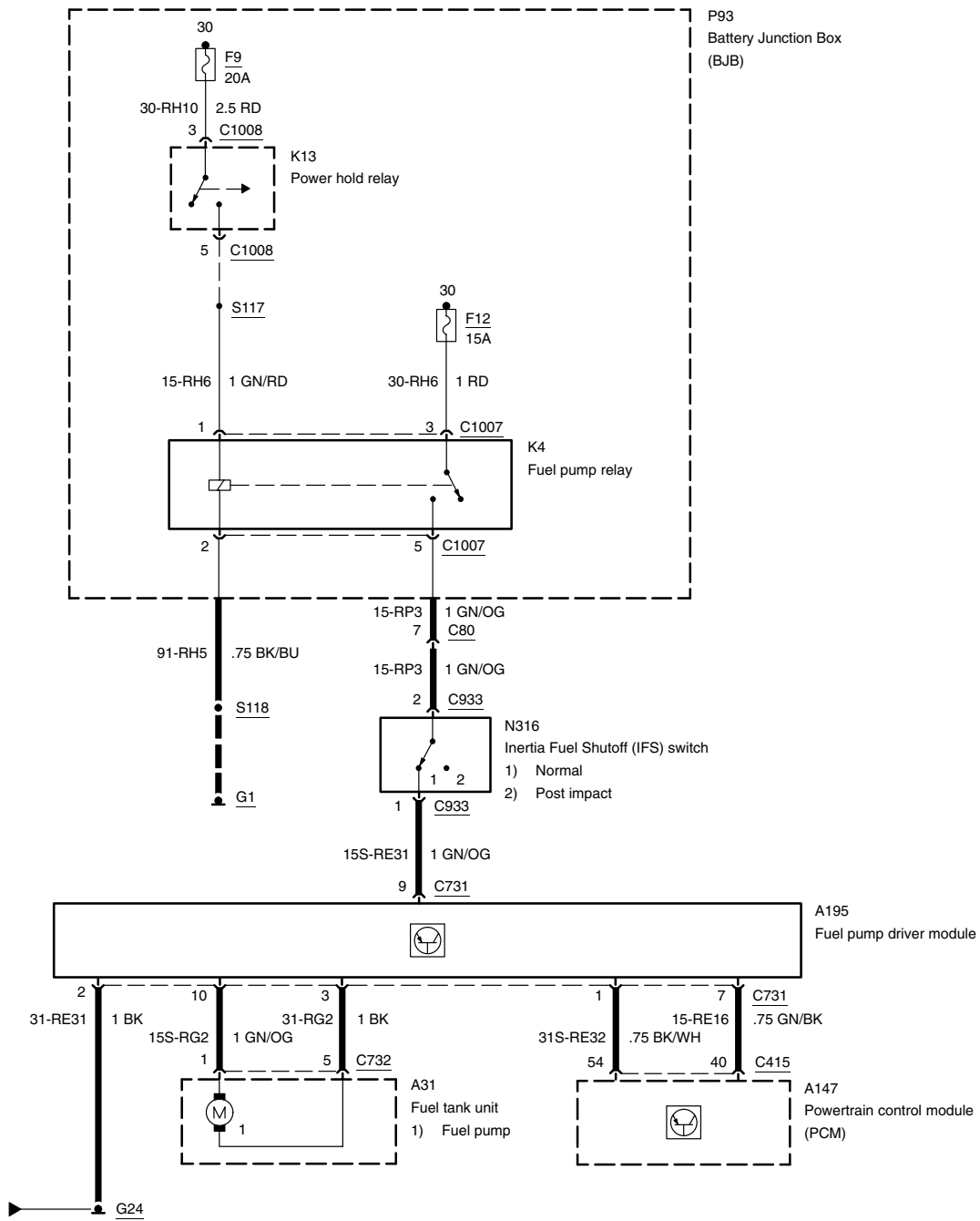


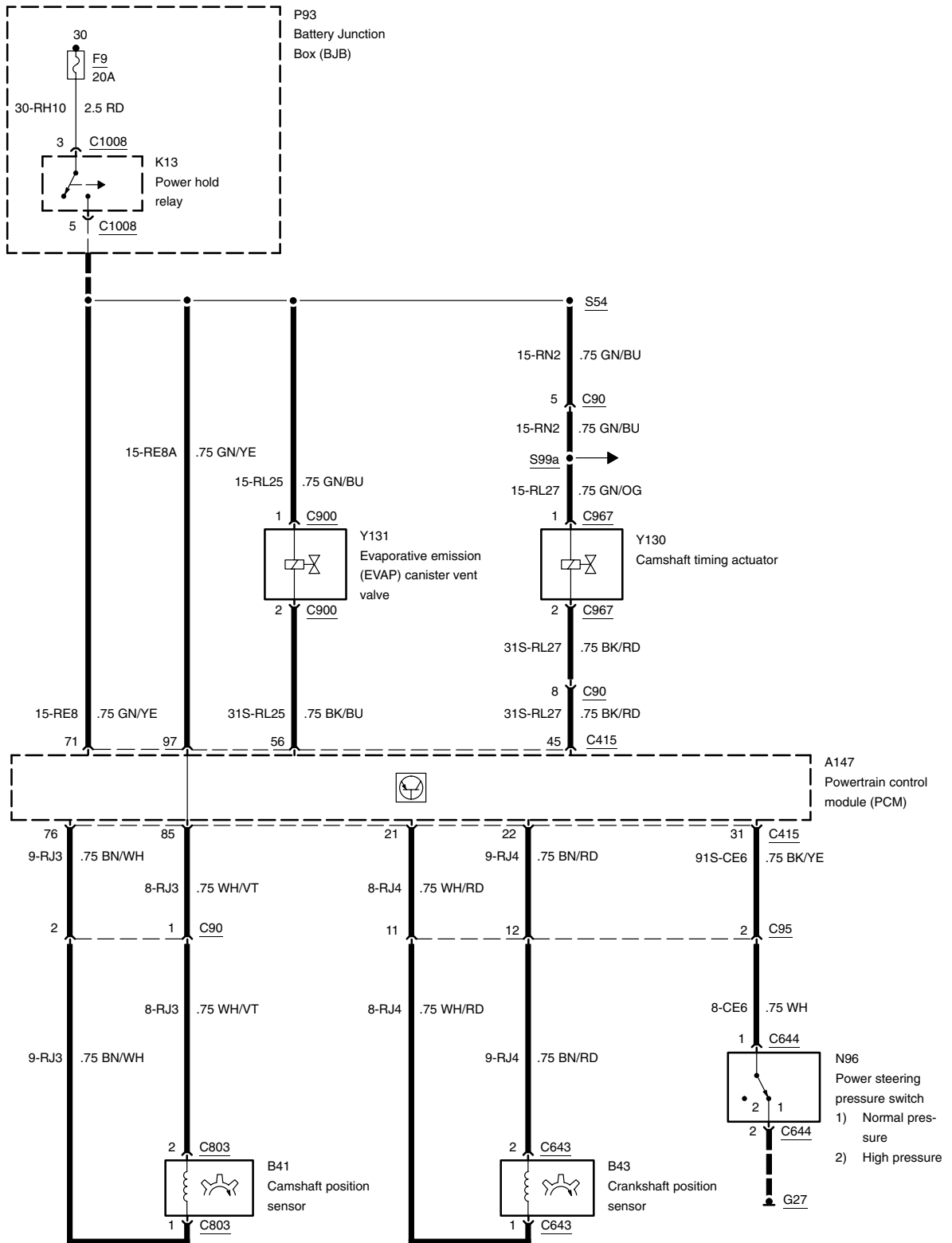


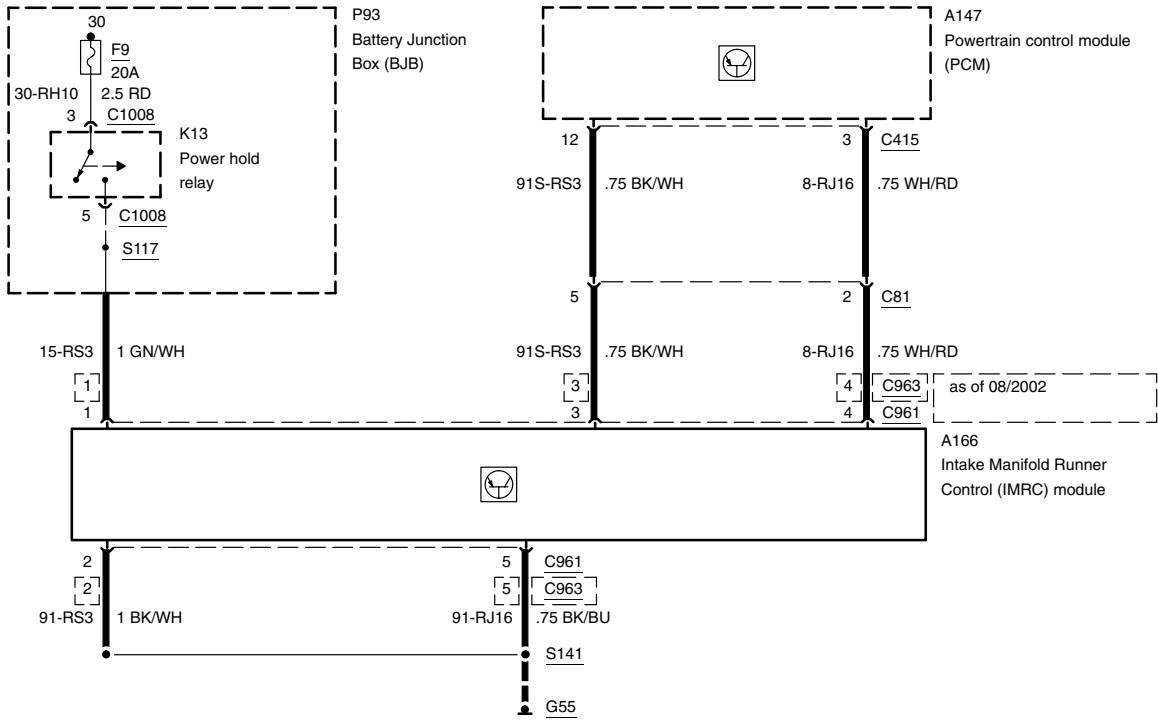






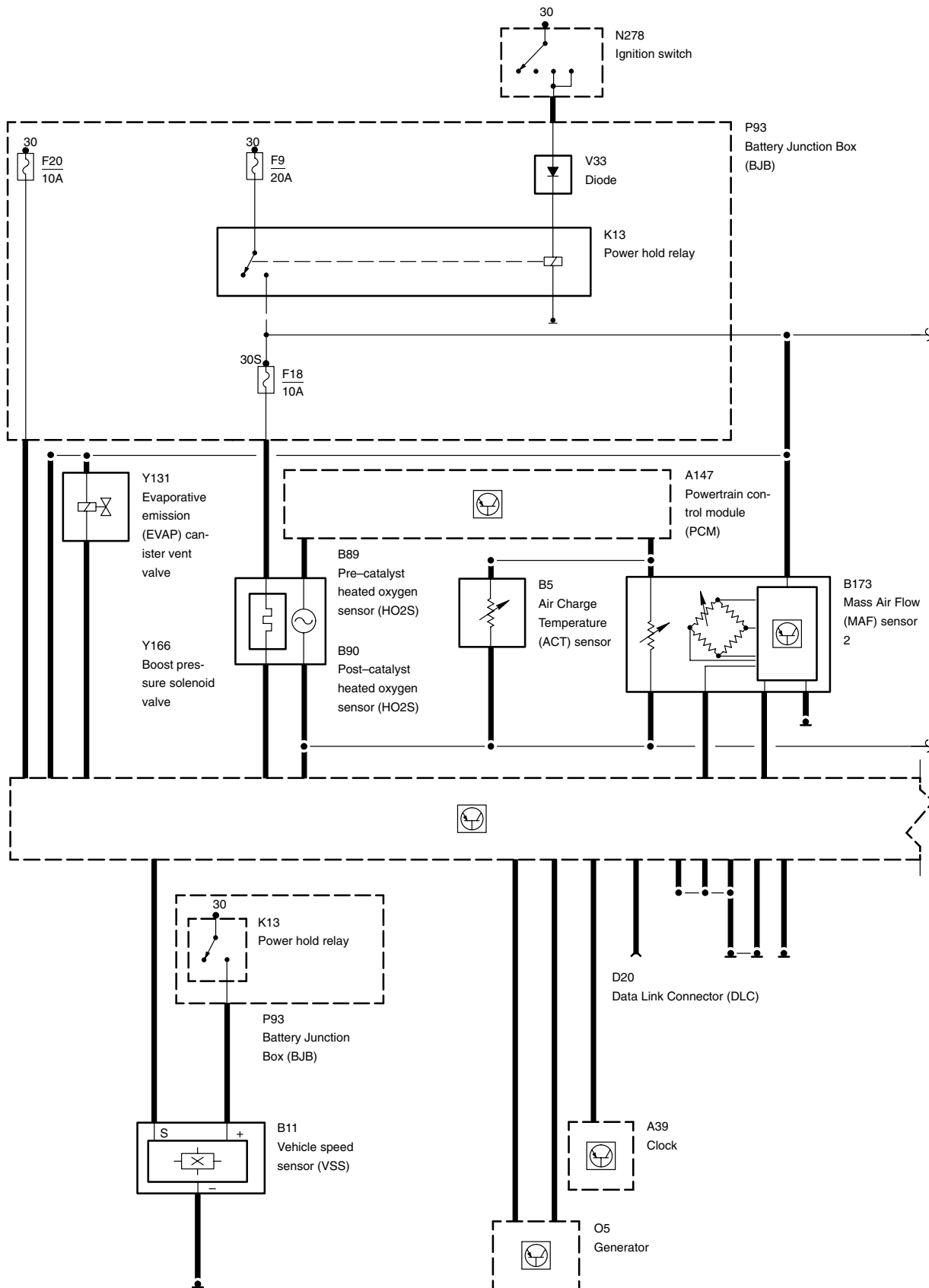




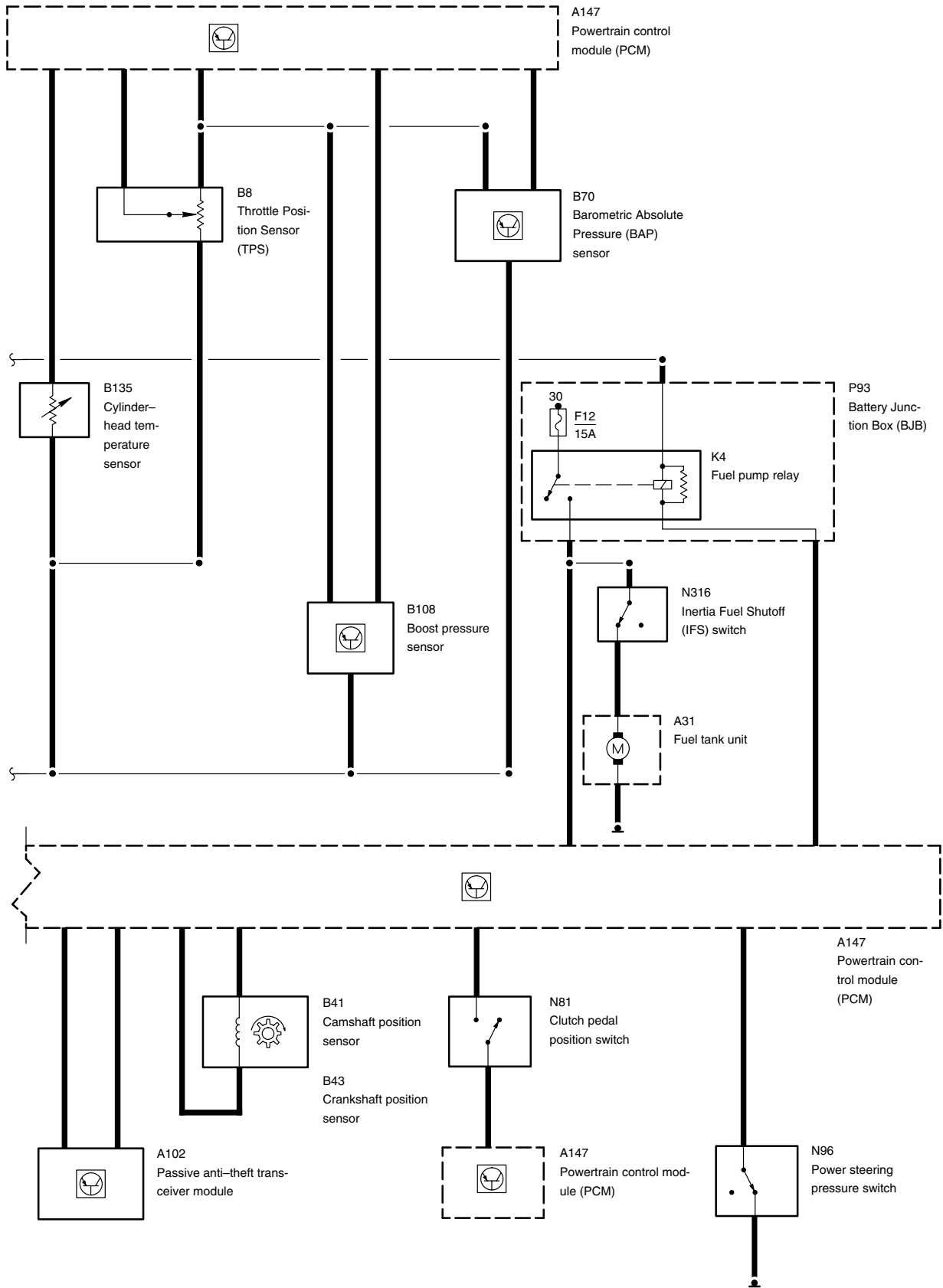


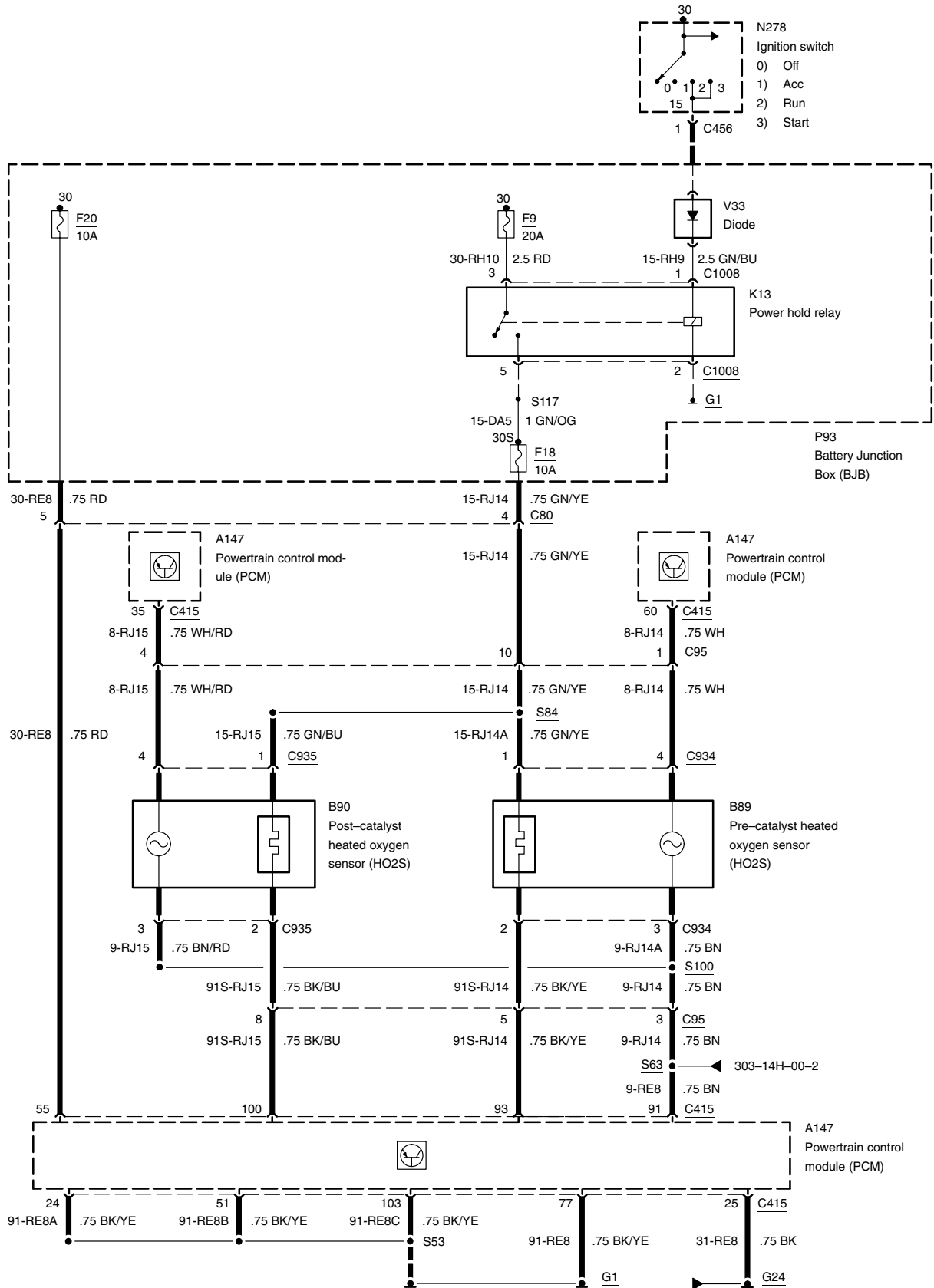


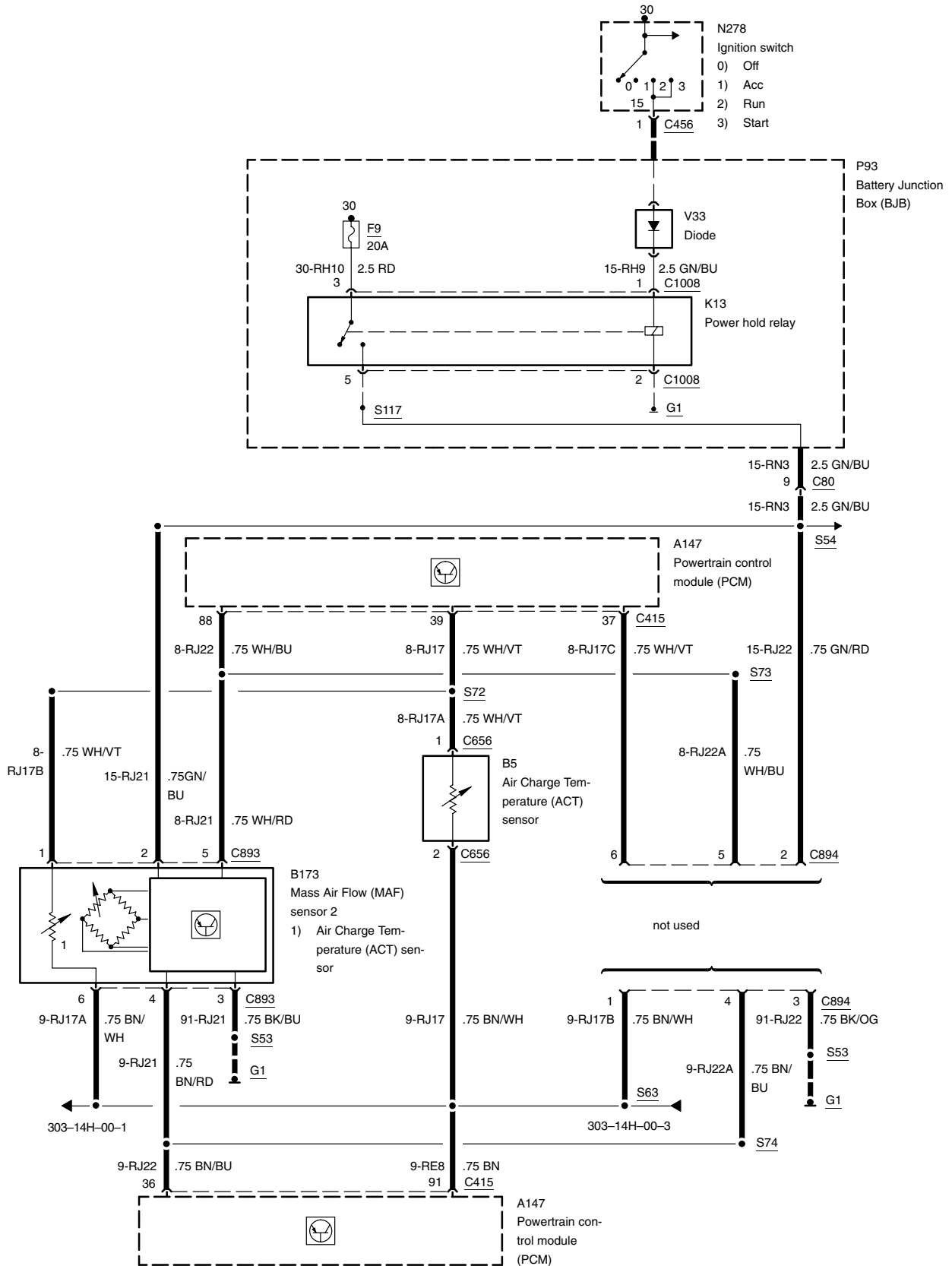
-A

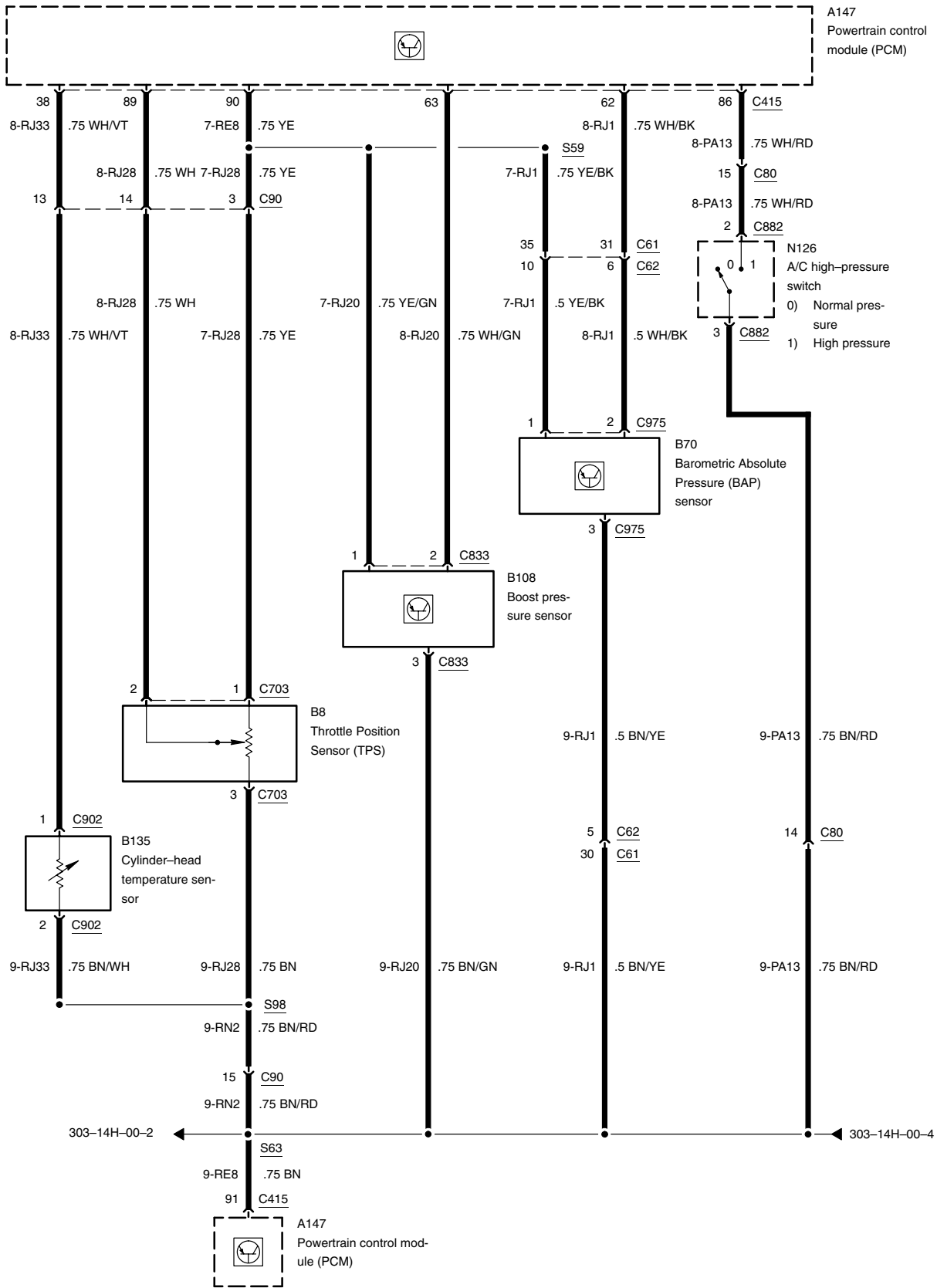


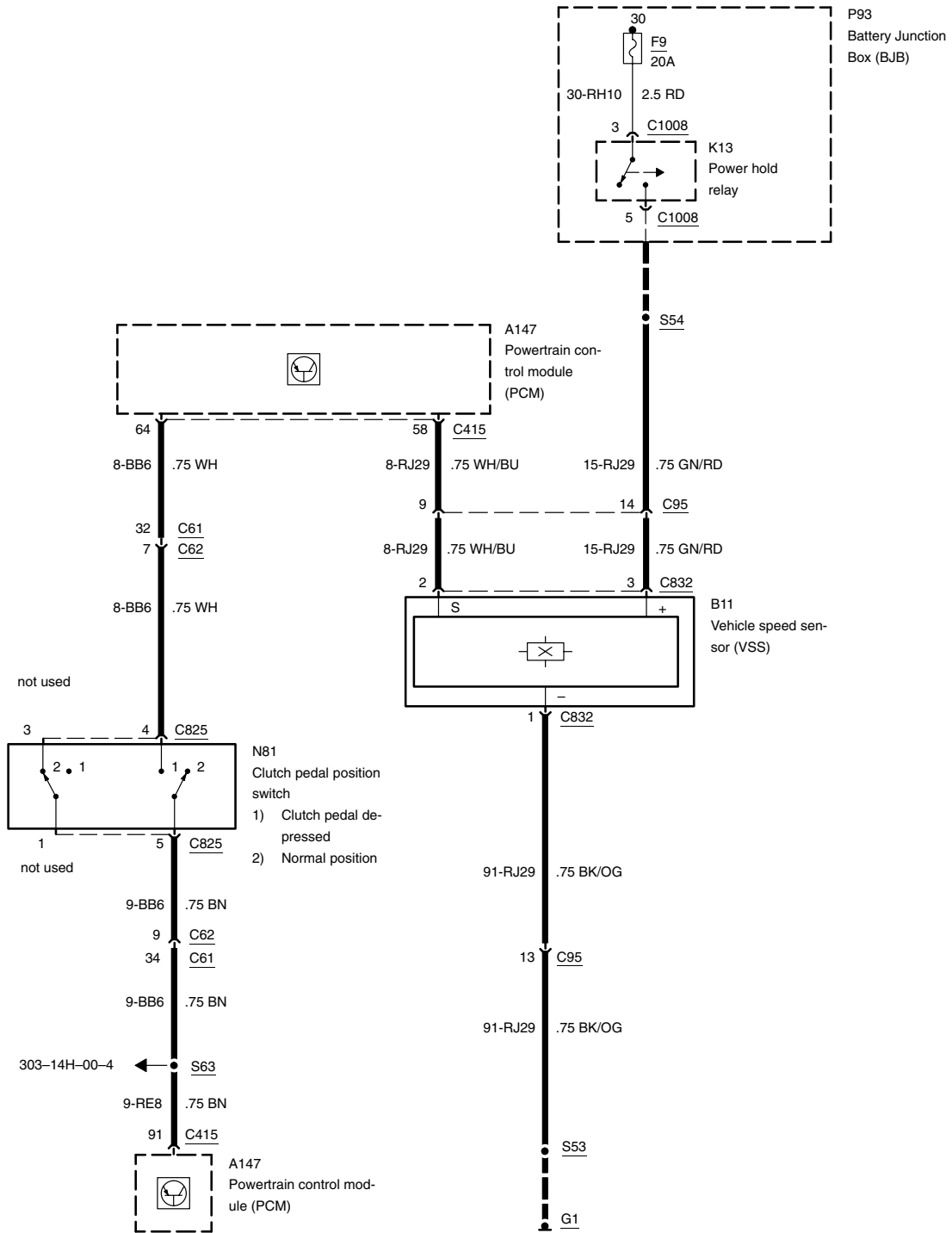


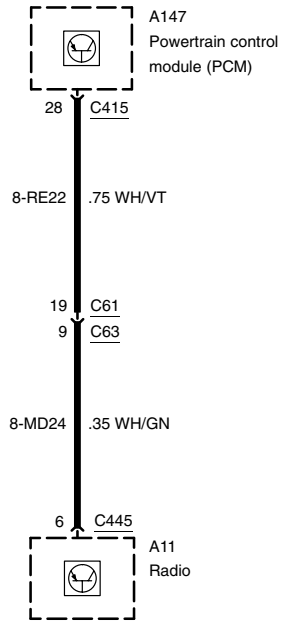


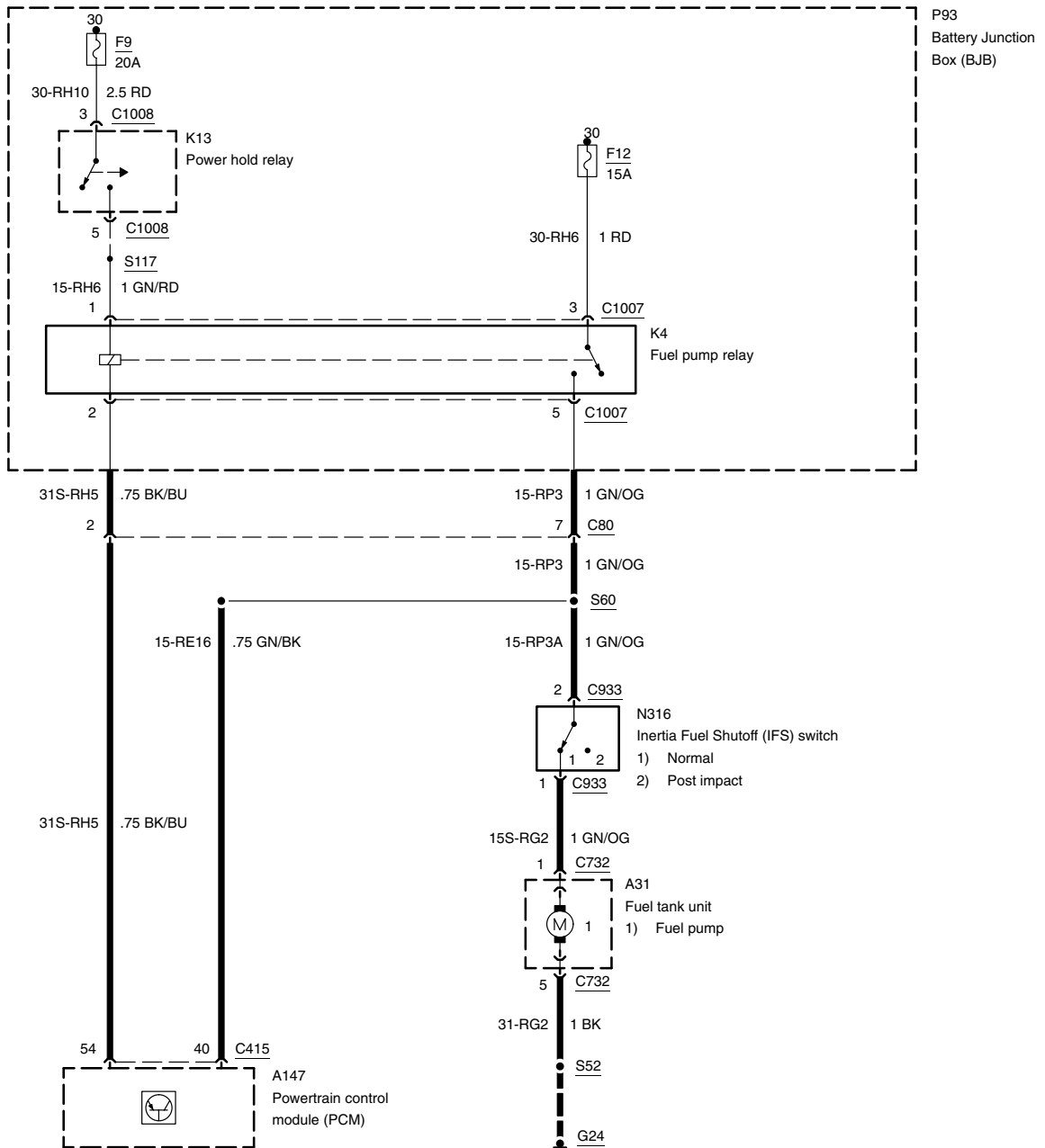


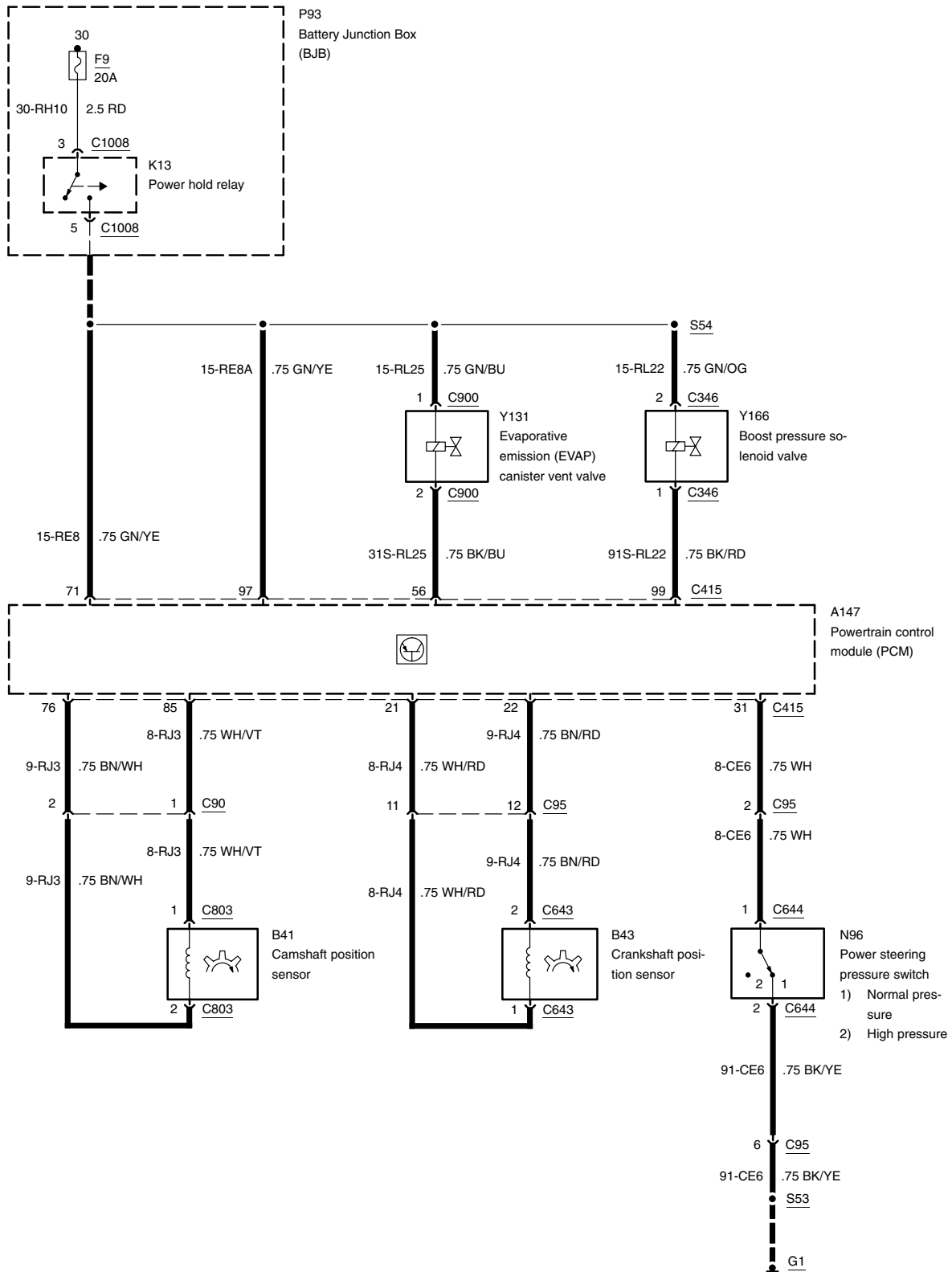






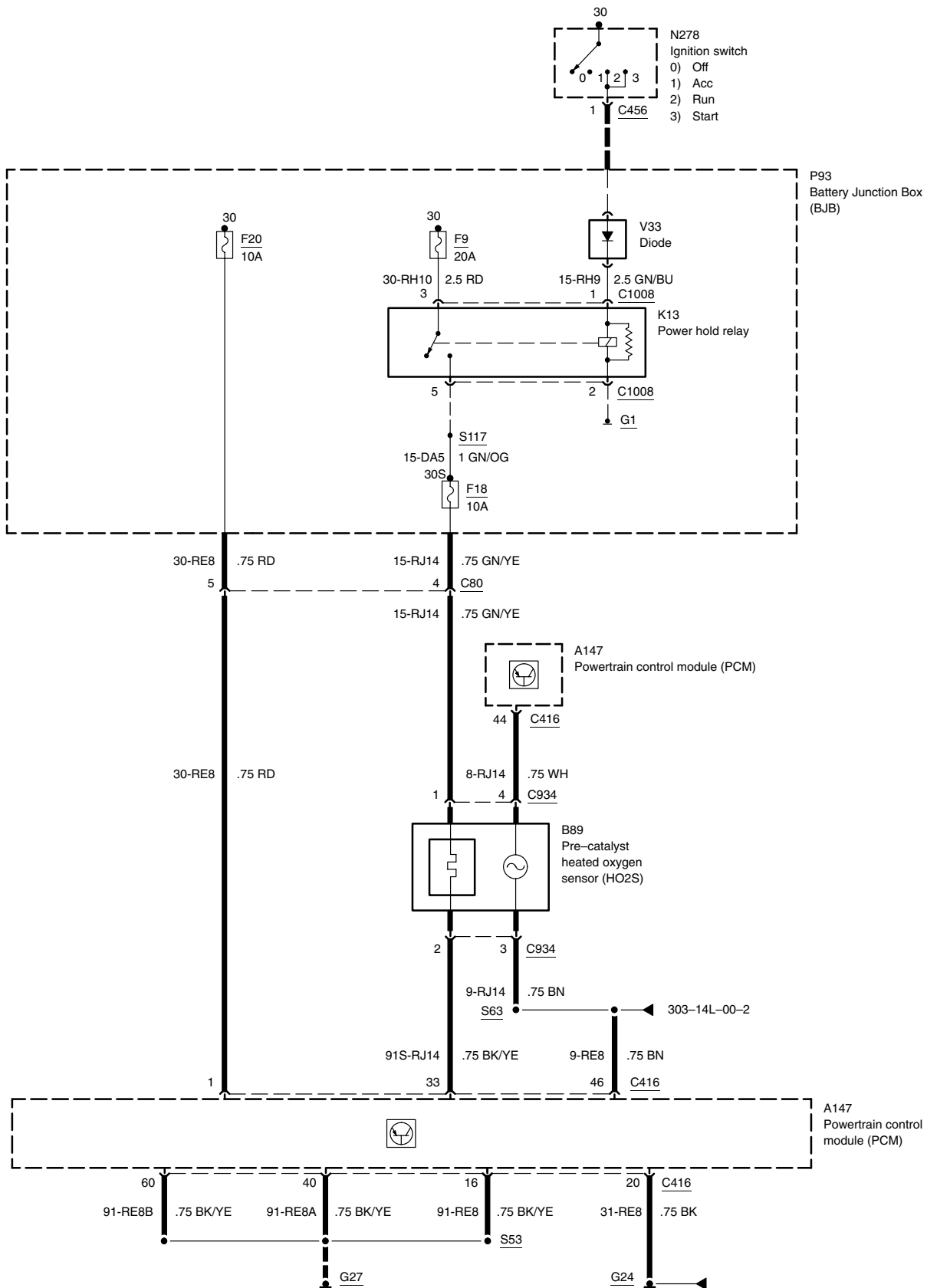


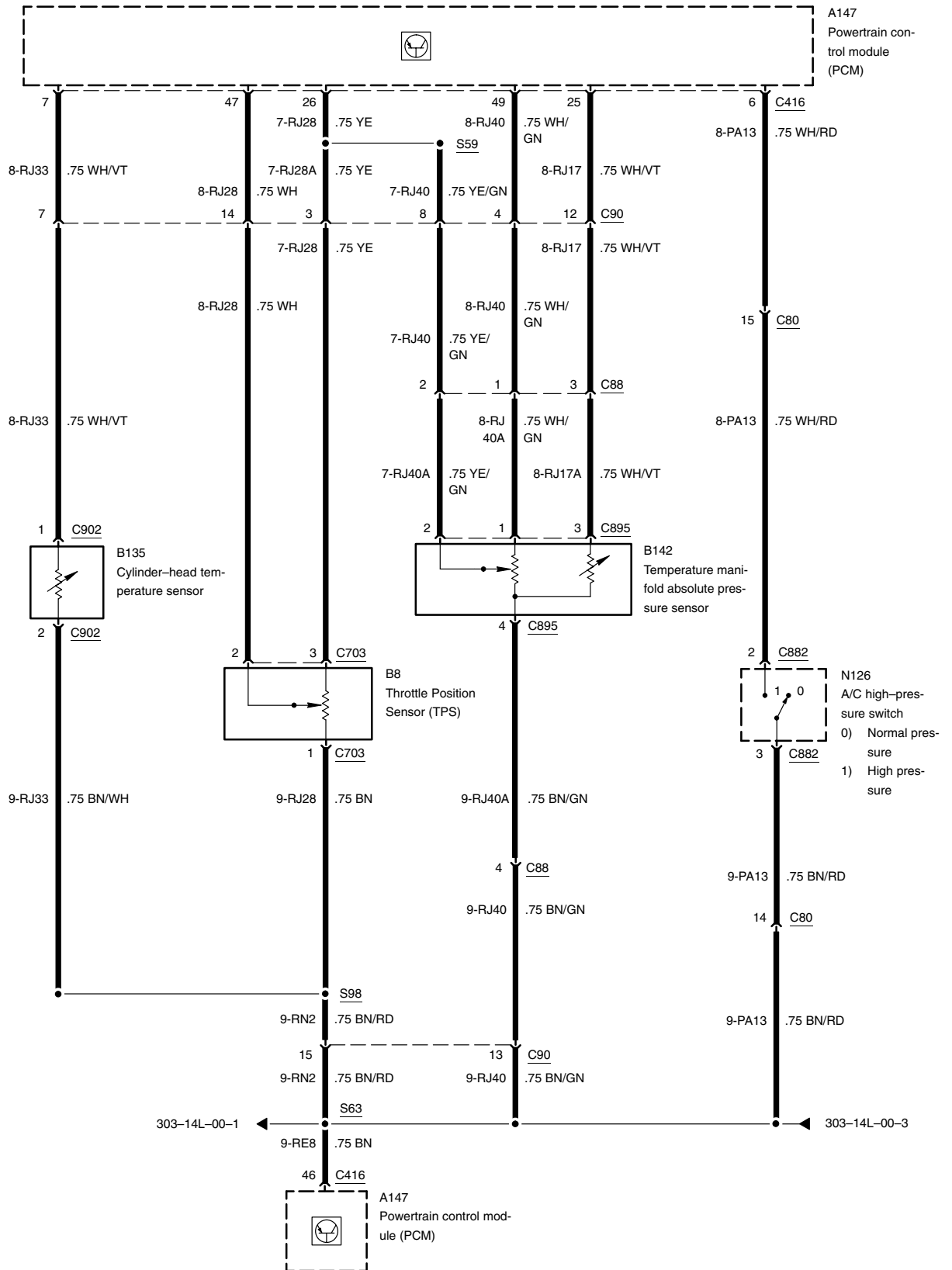


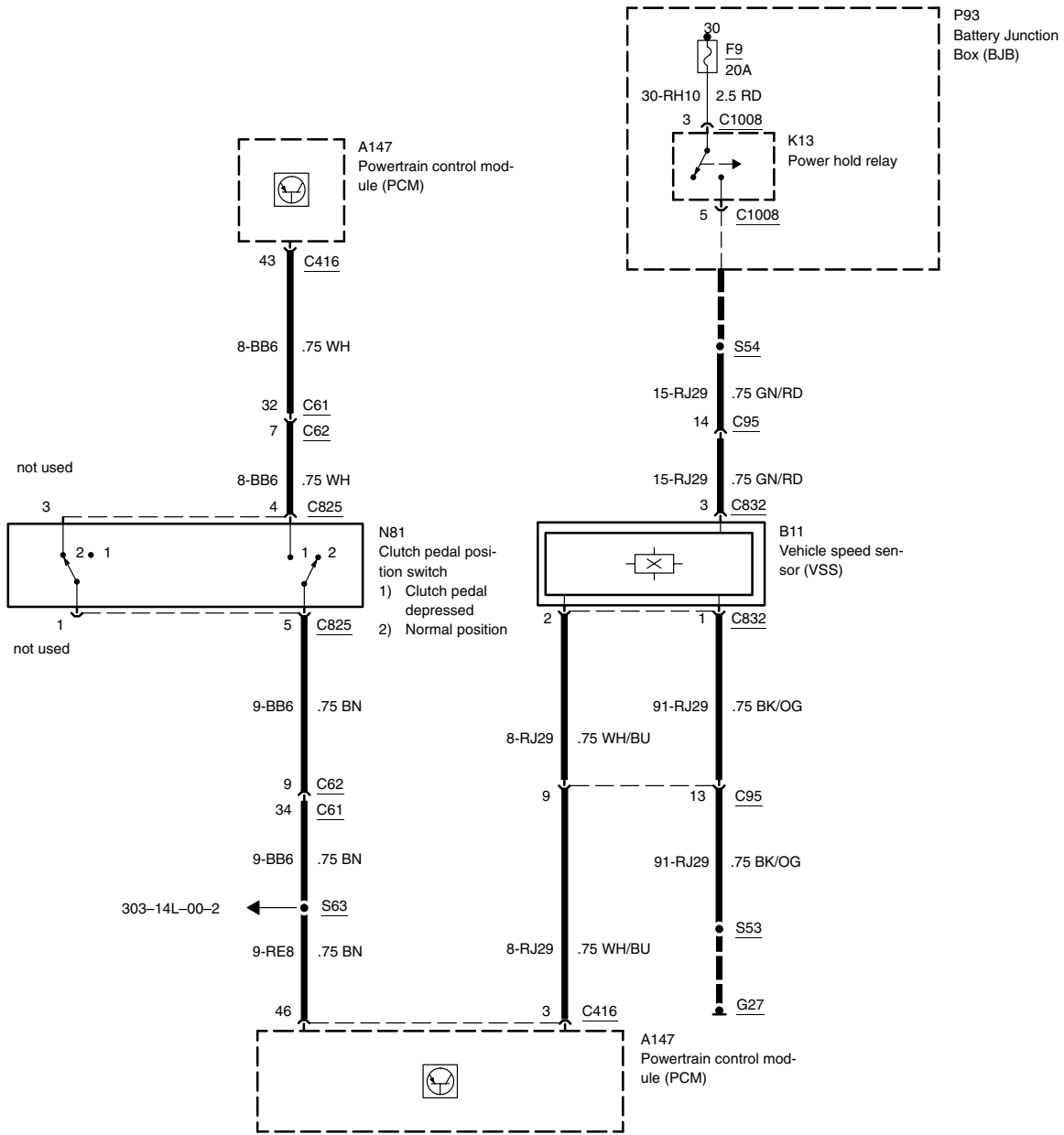


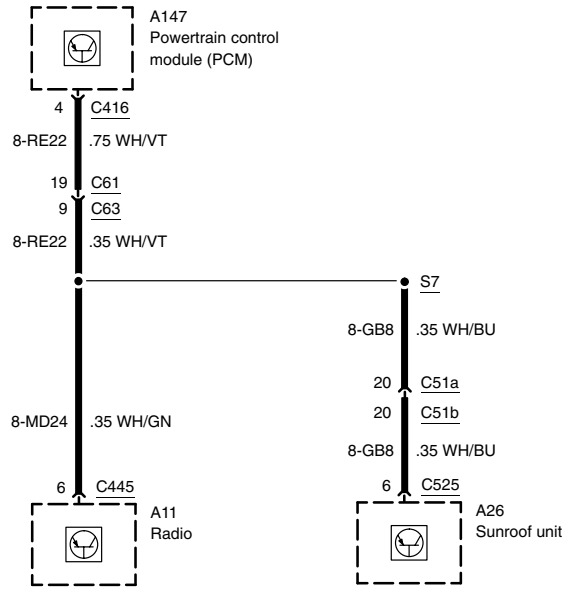


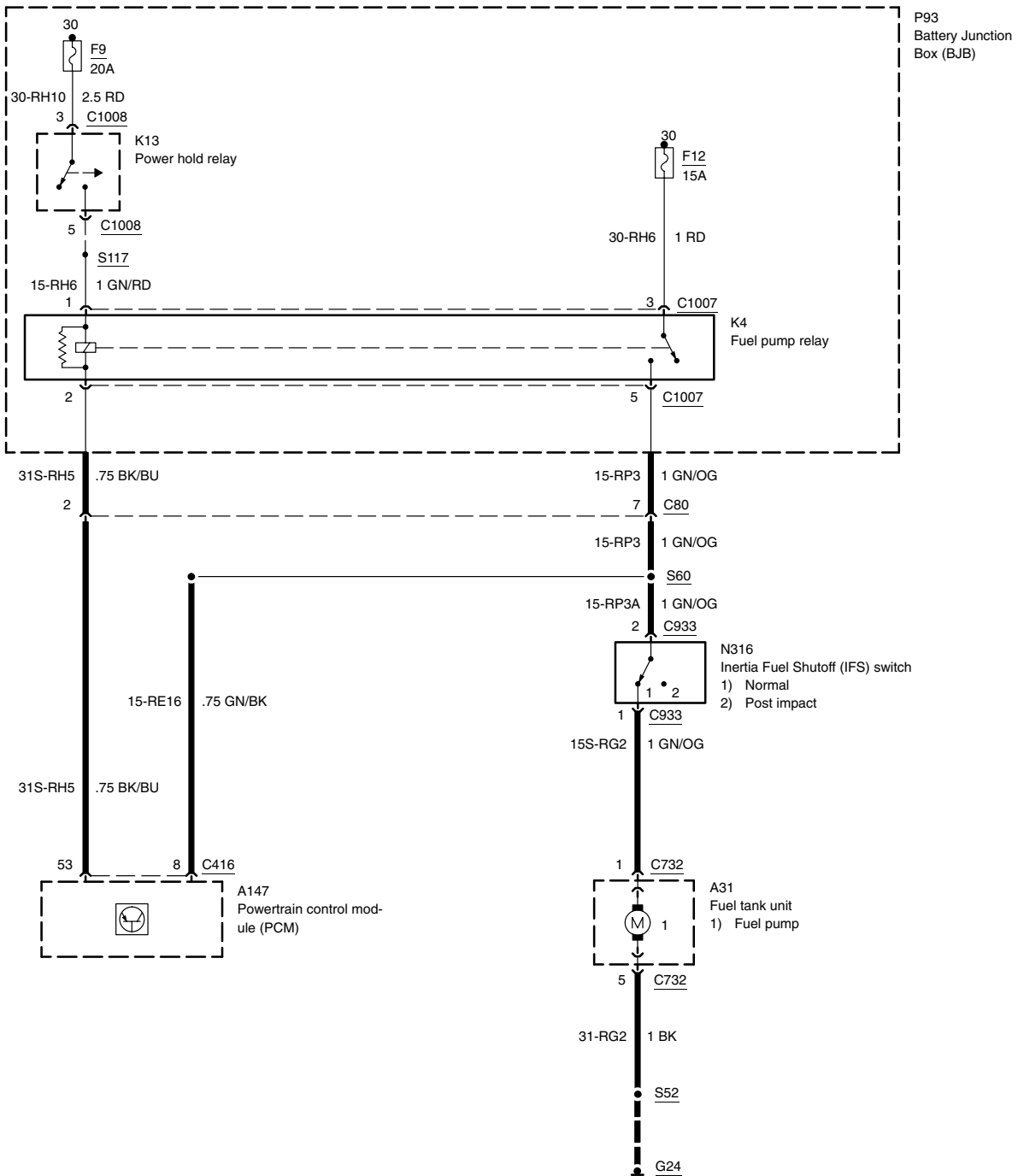


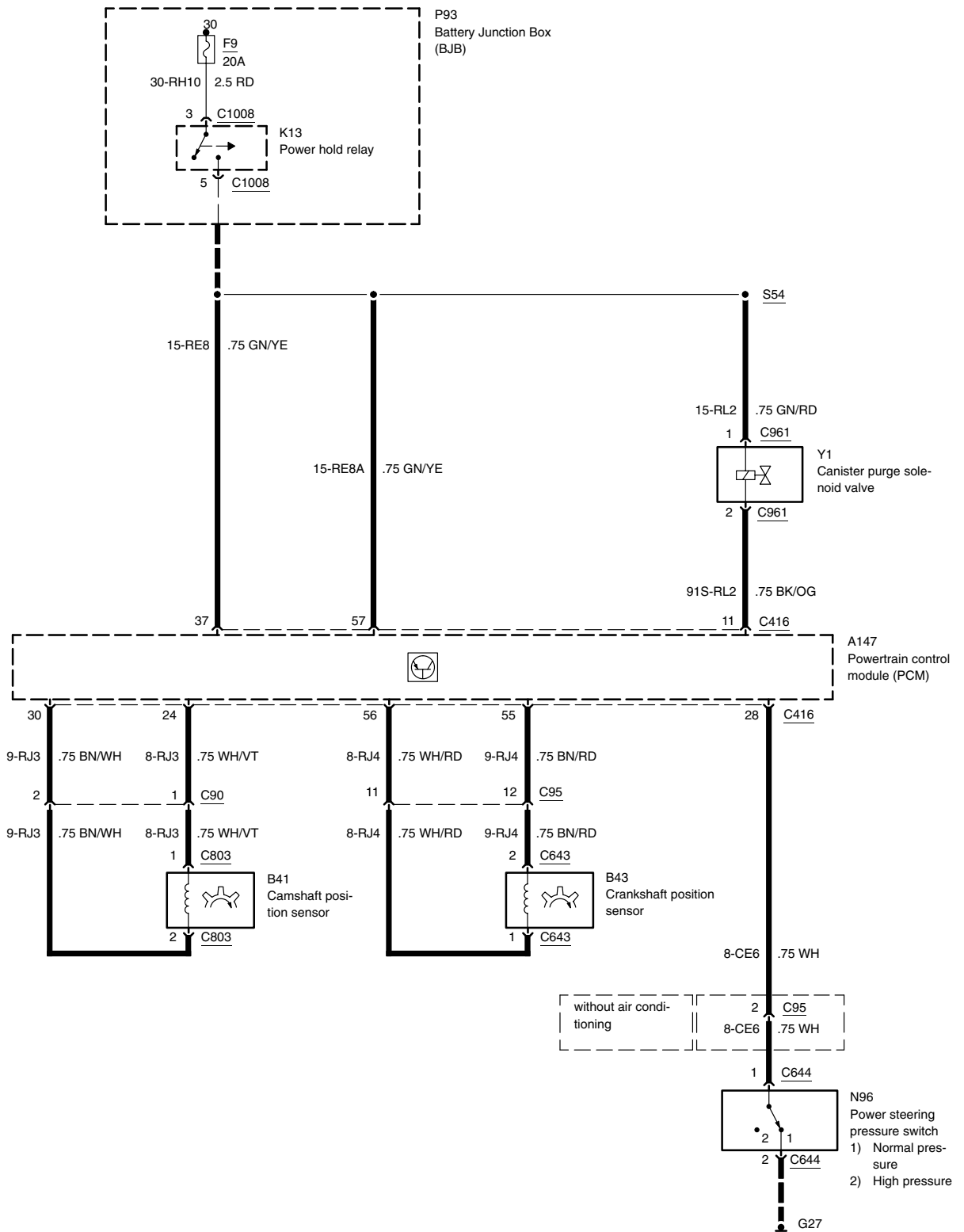


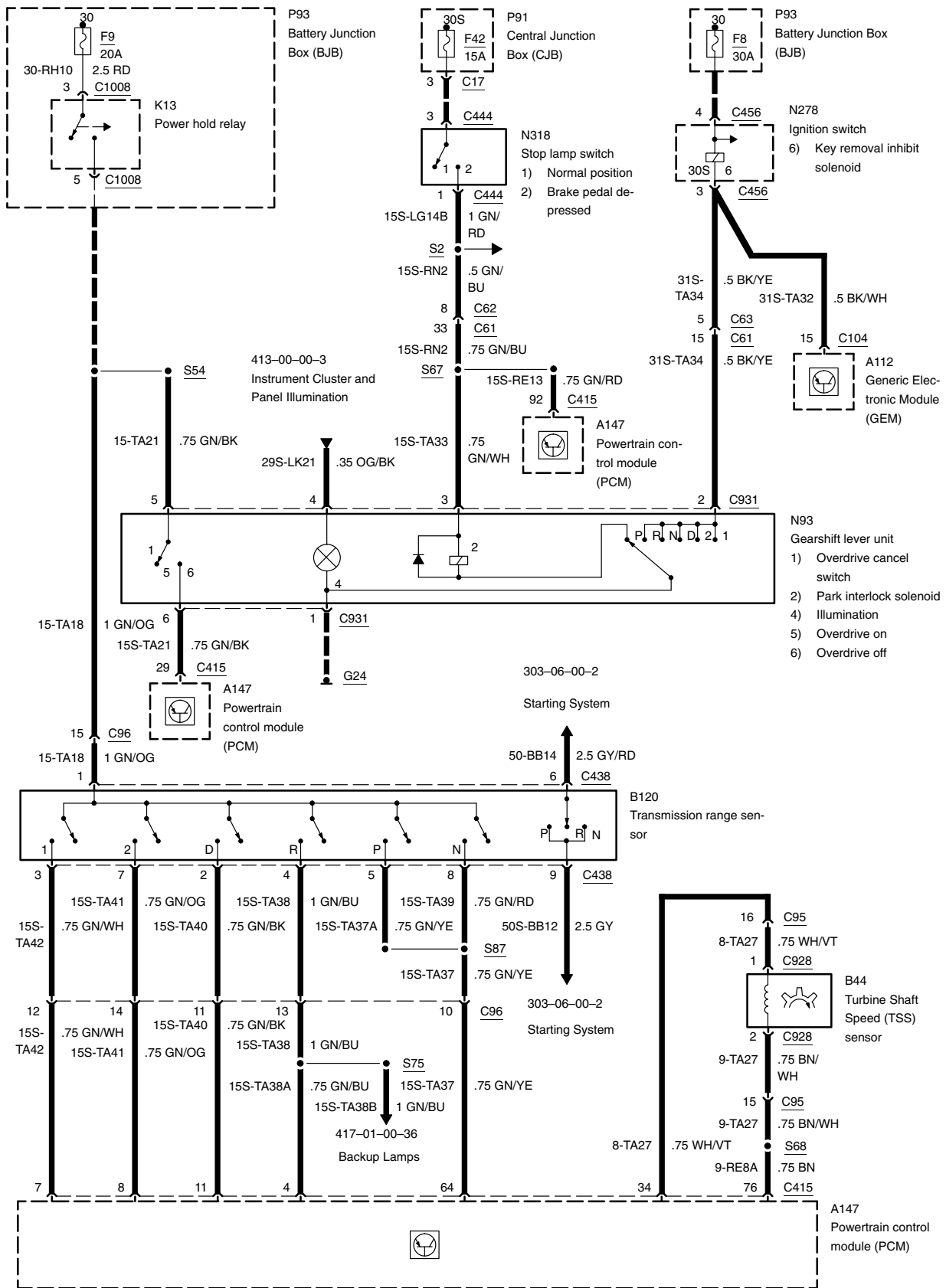




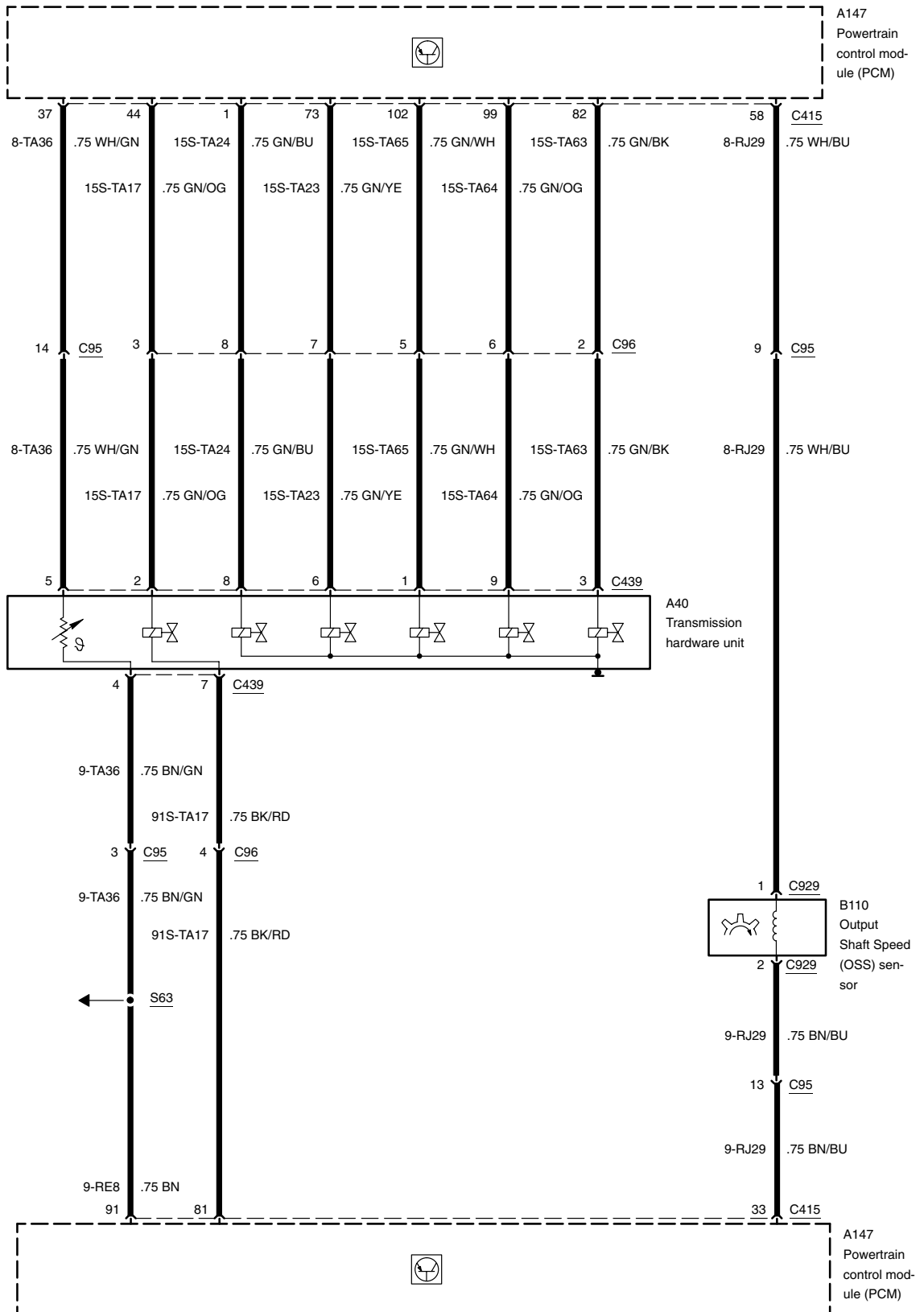




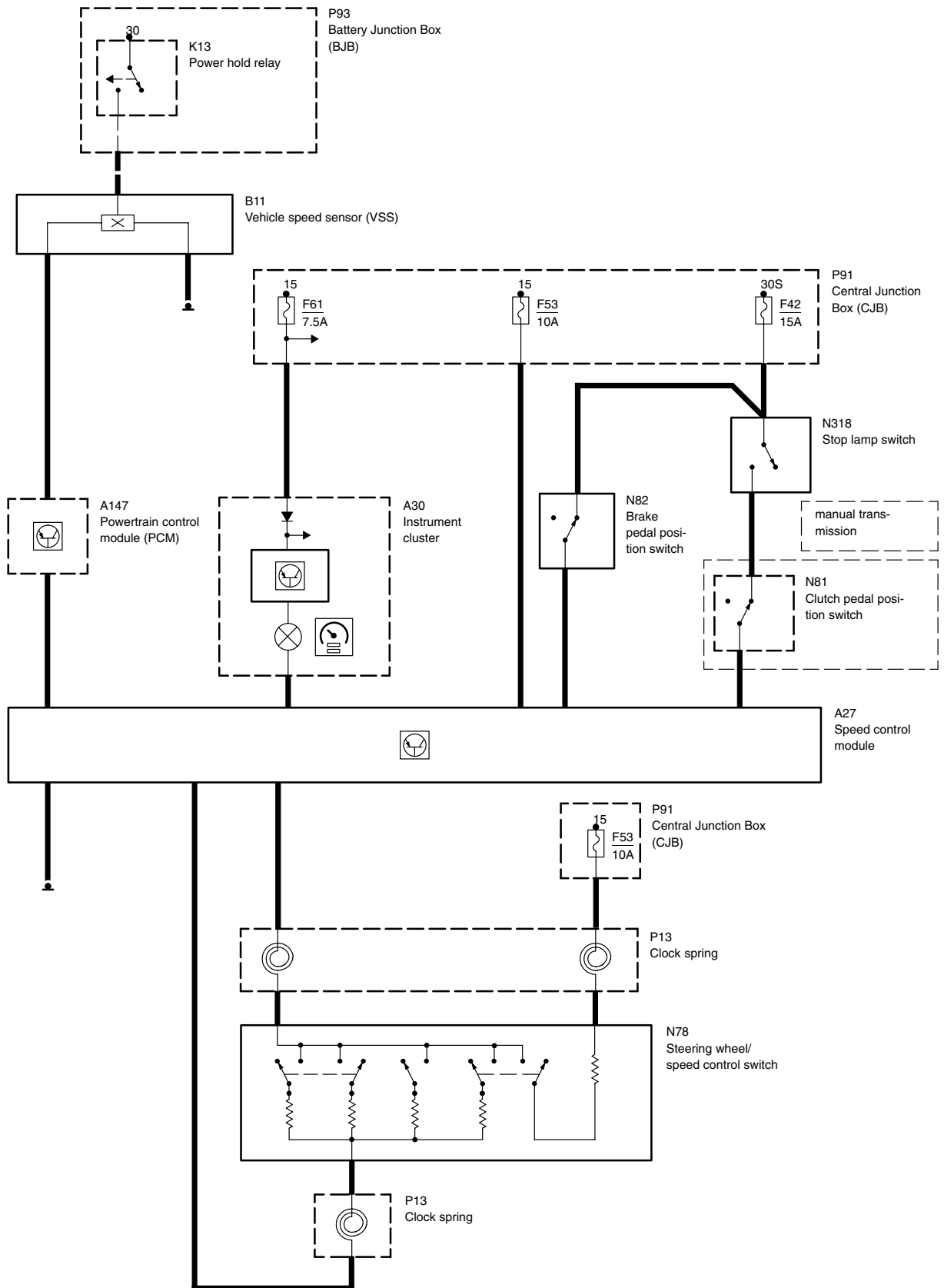






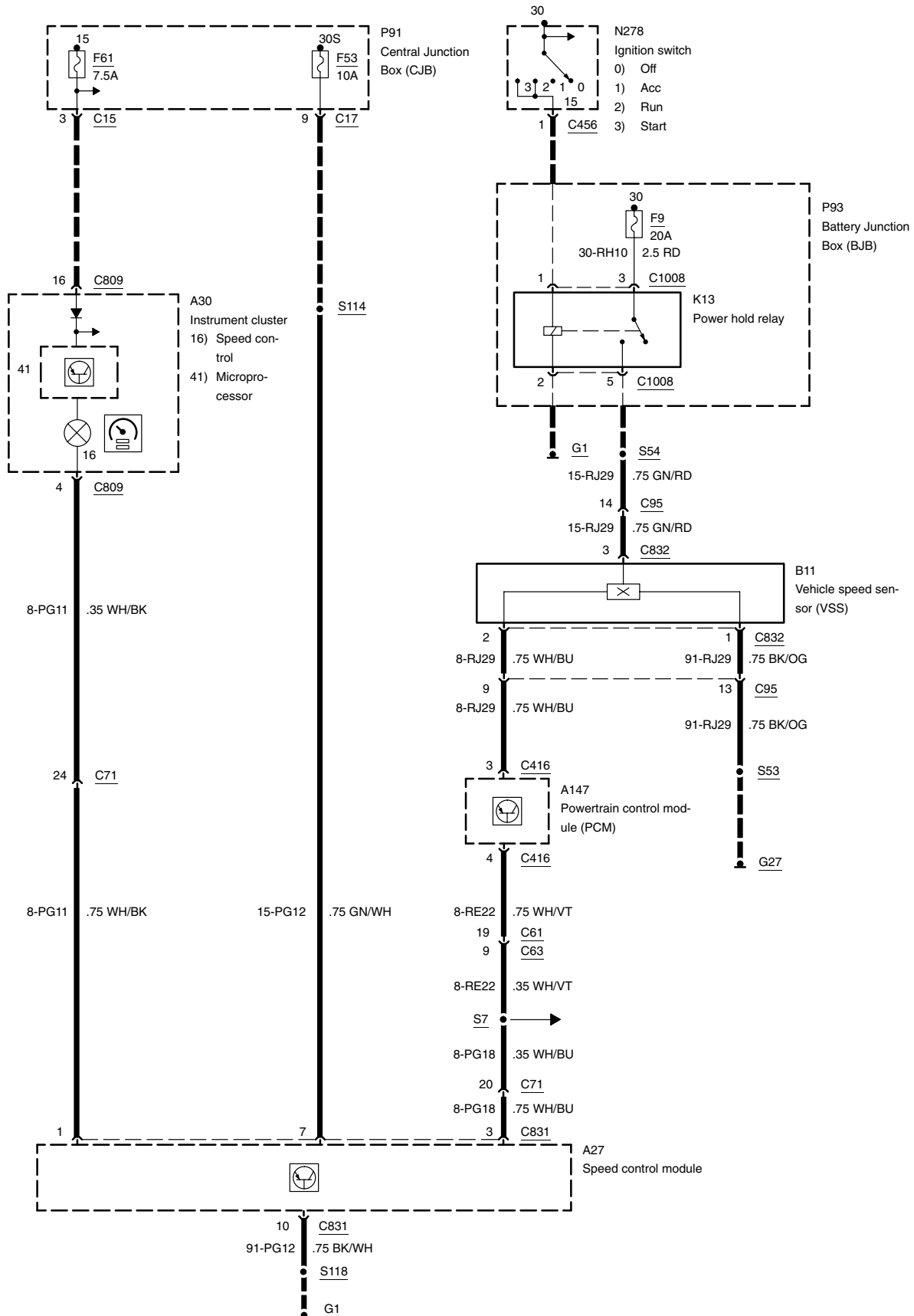




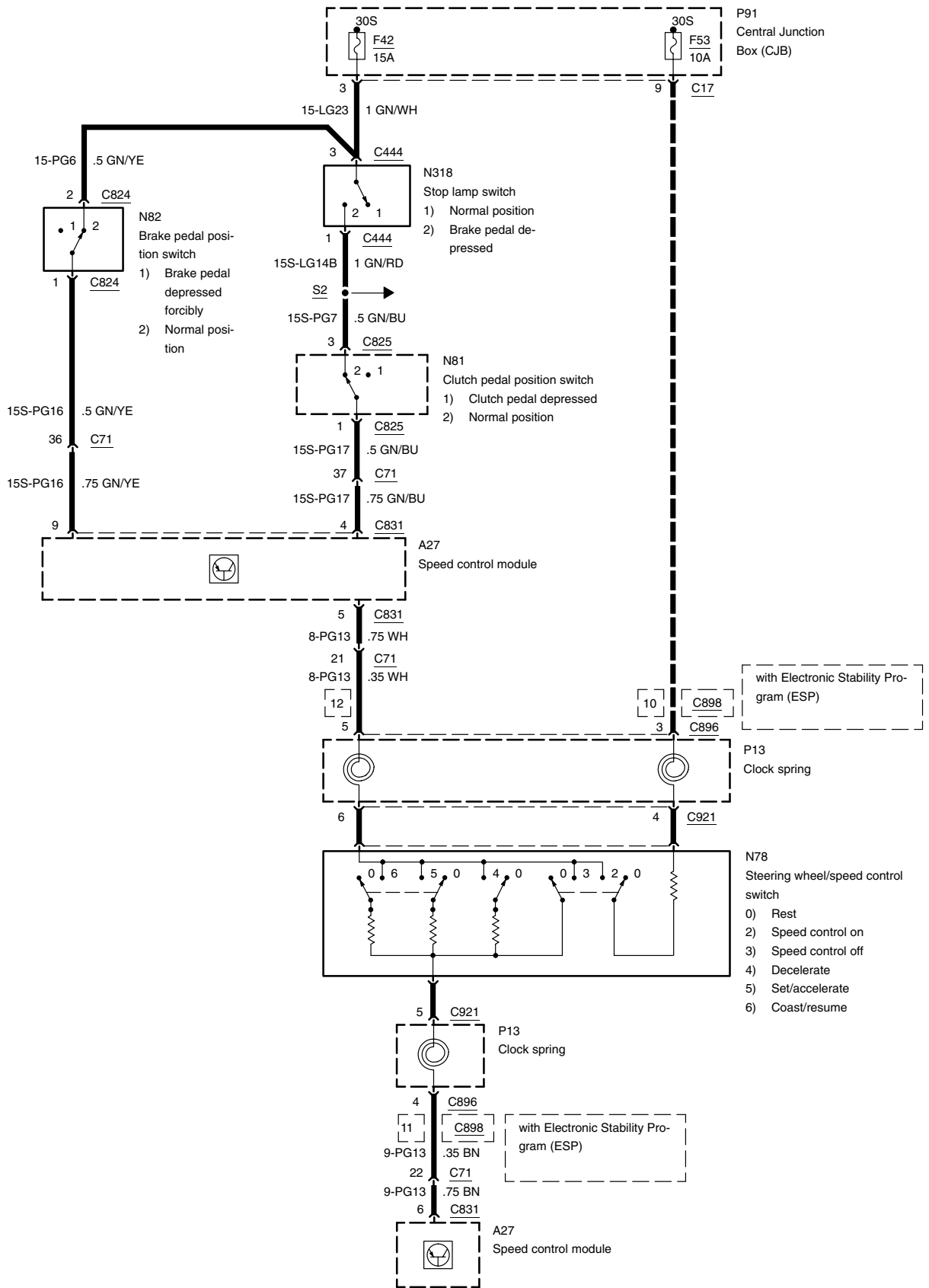


manual transmission

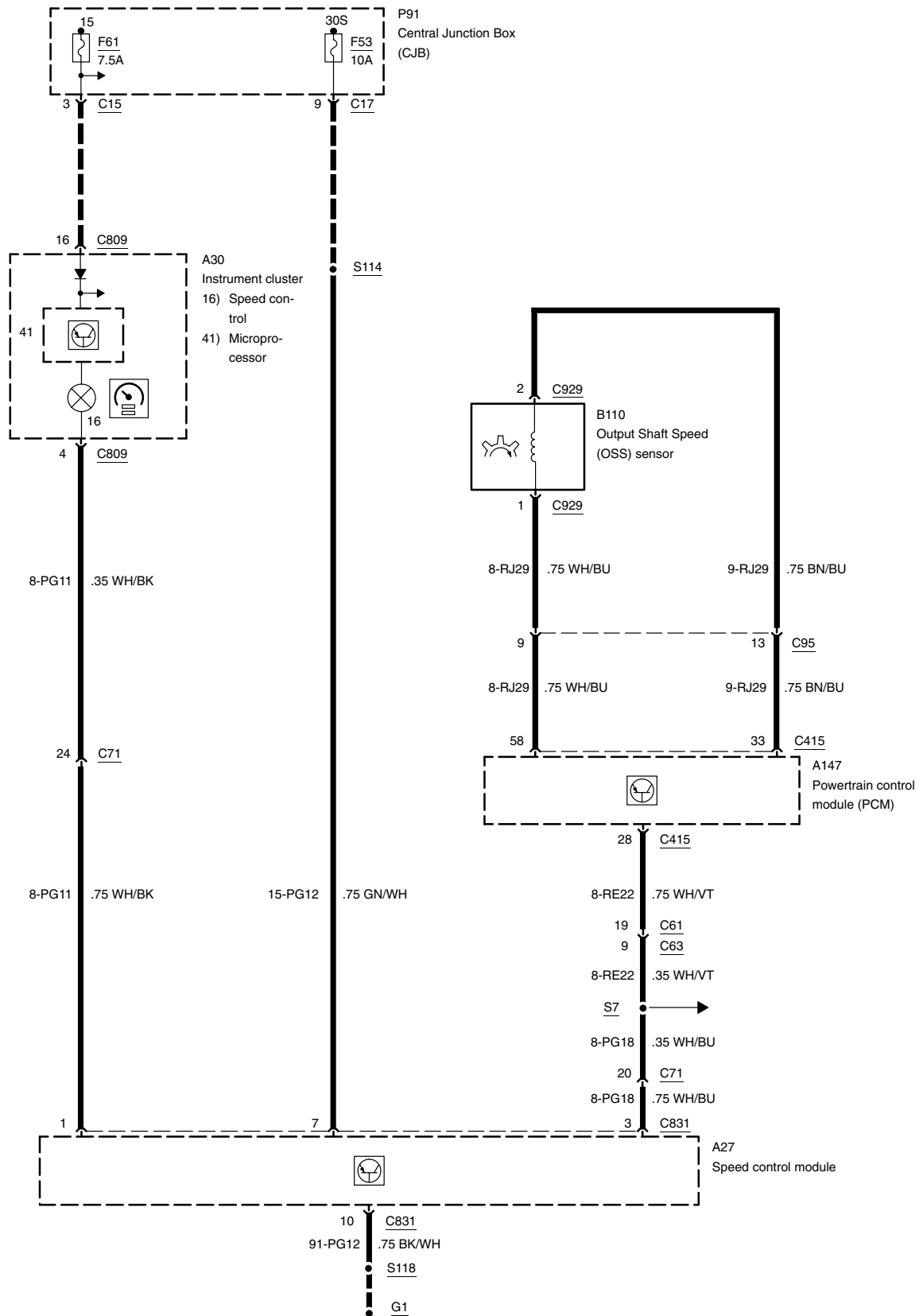
-1



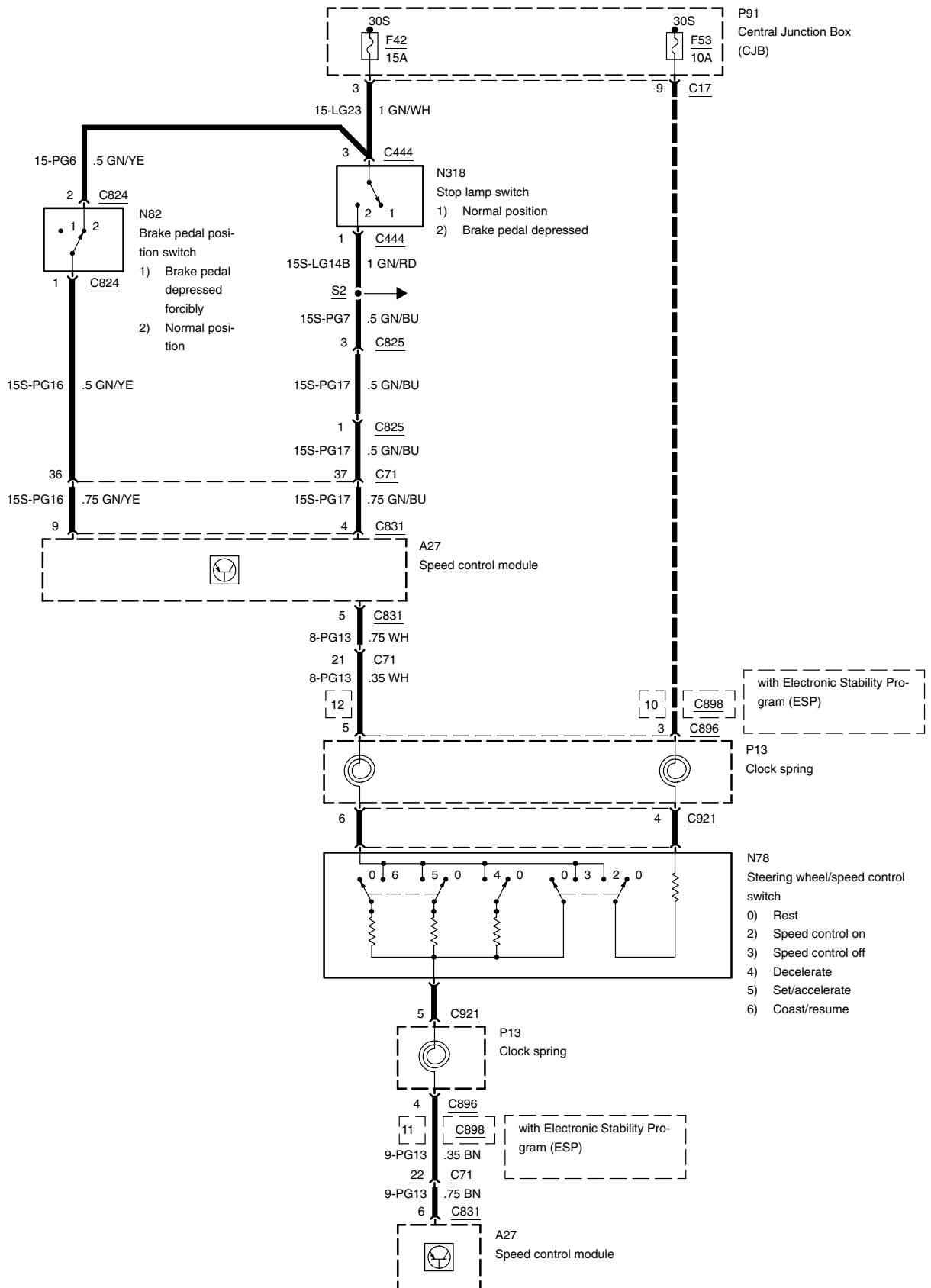
manual transmission



automatic transmission



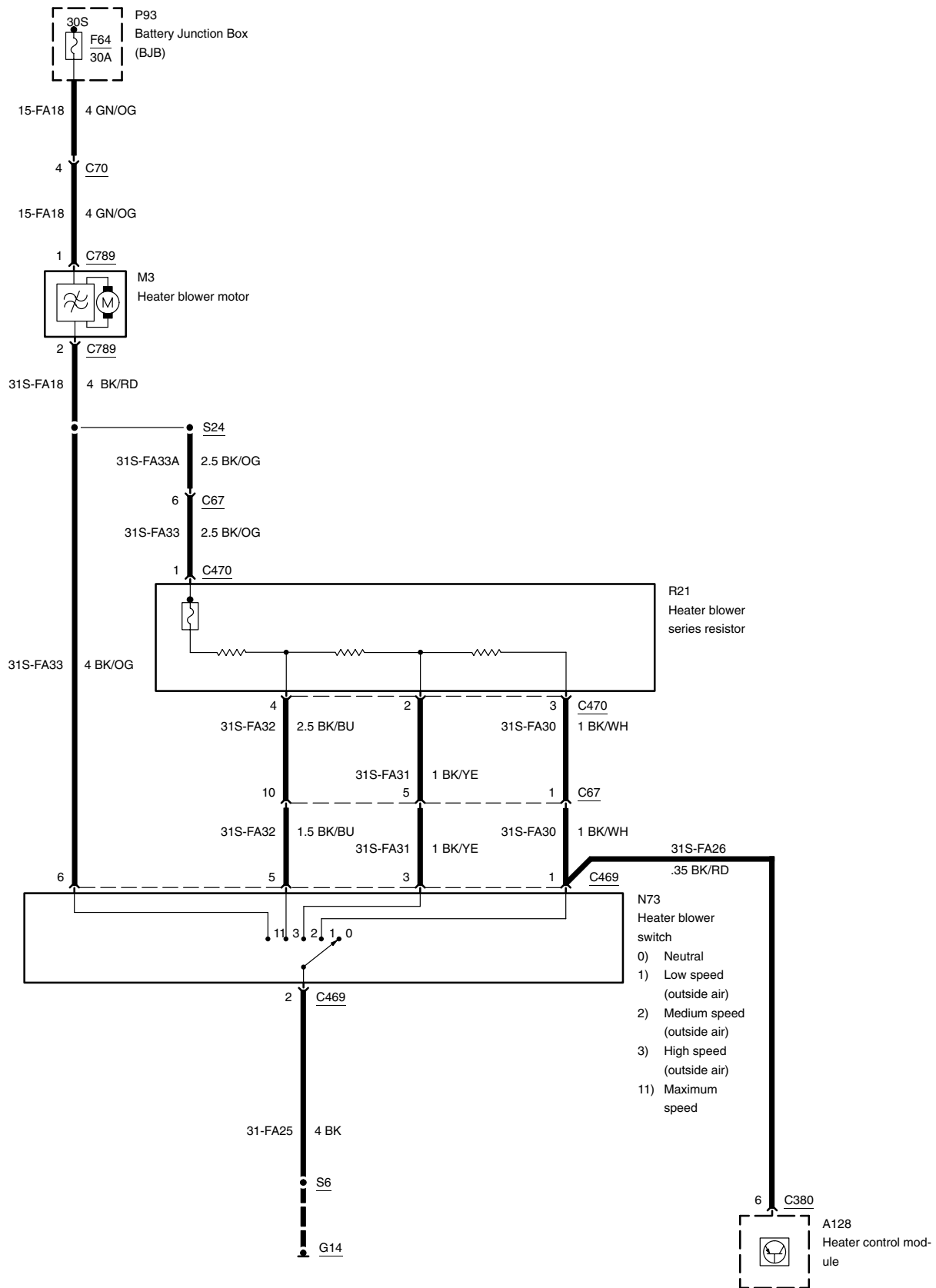
automatic transmission

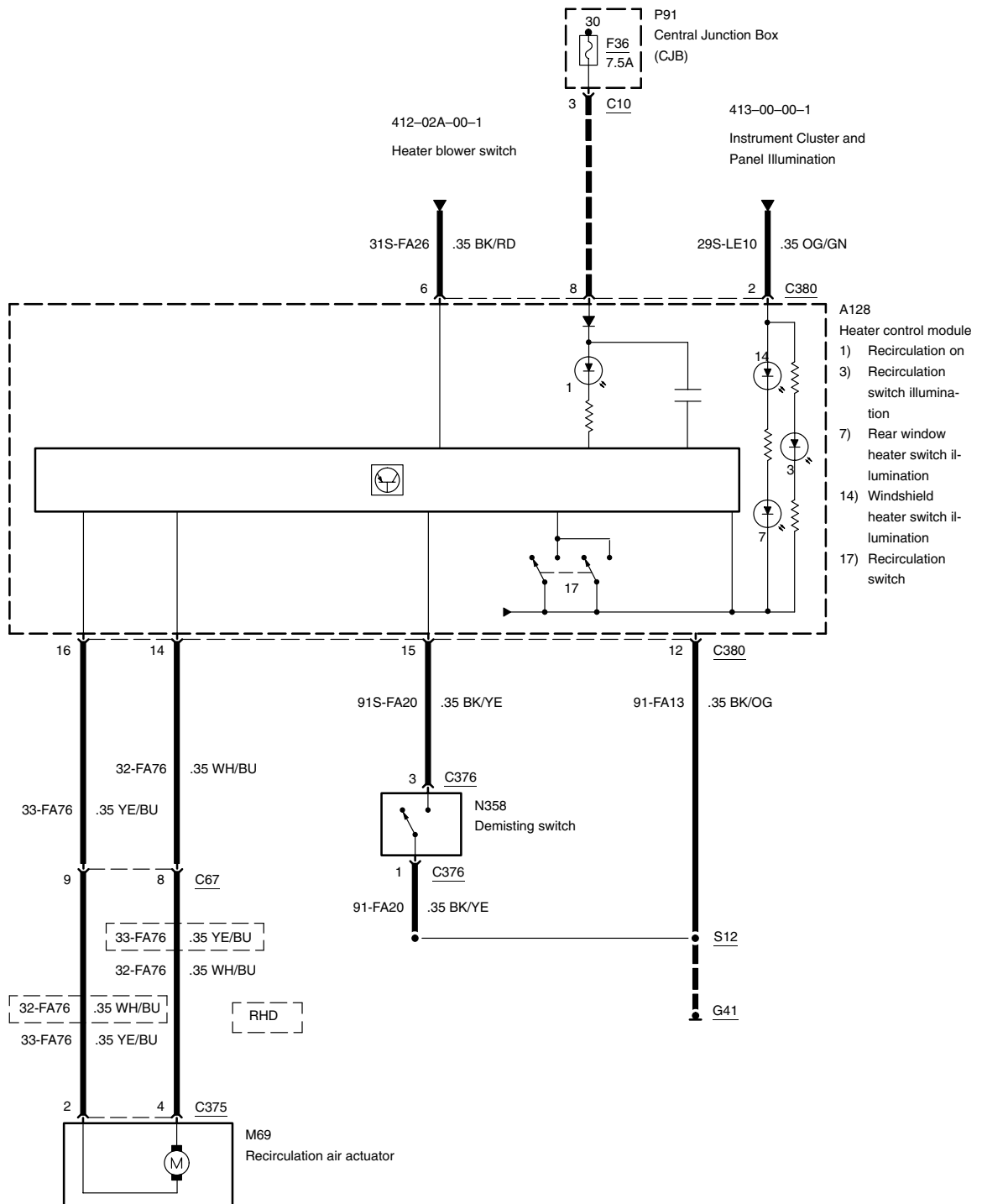


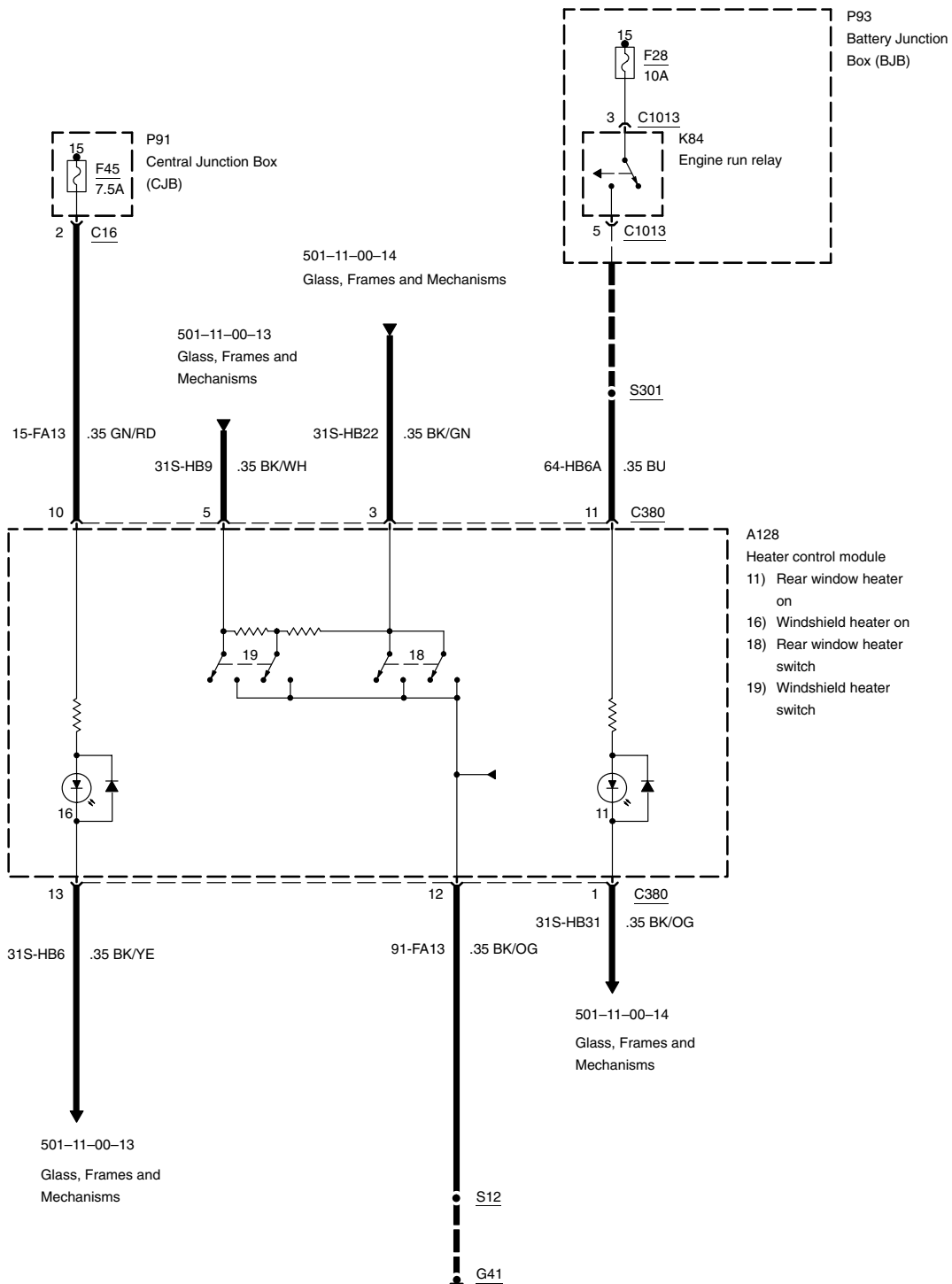








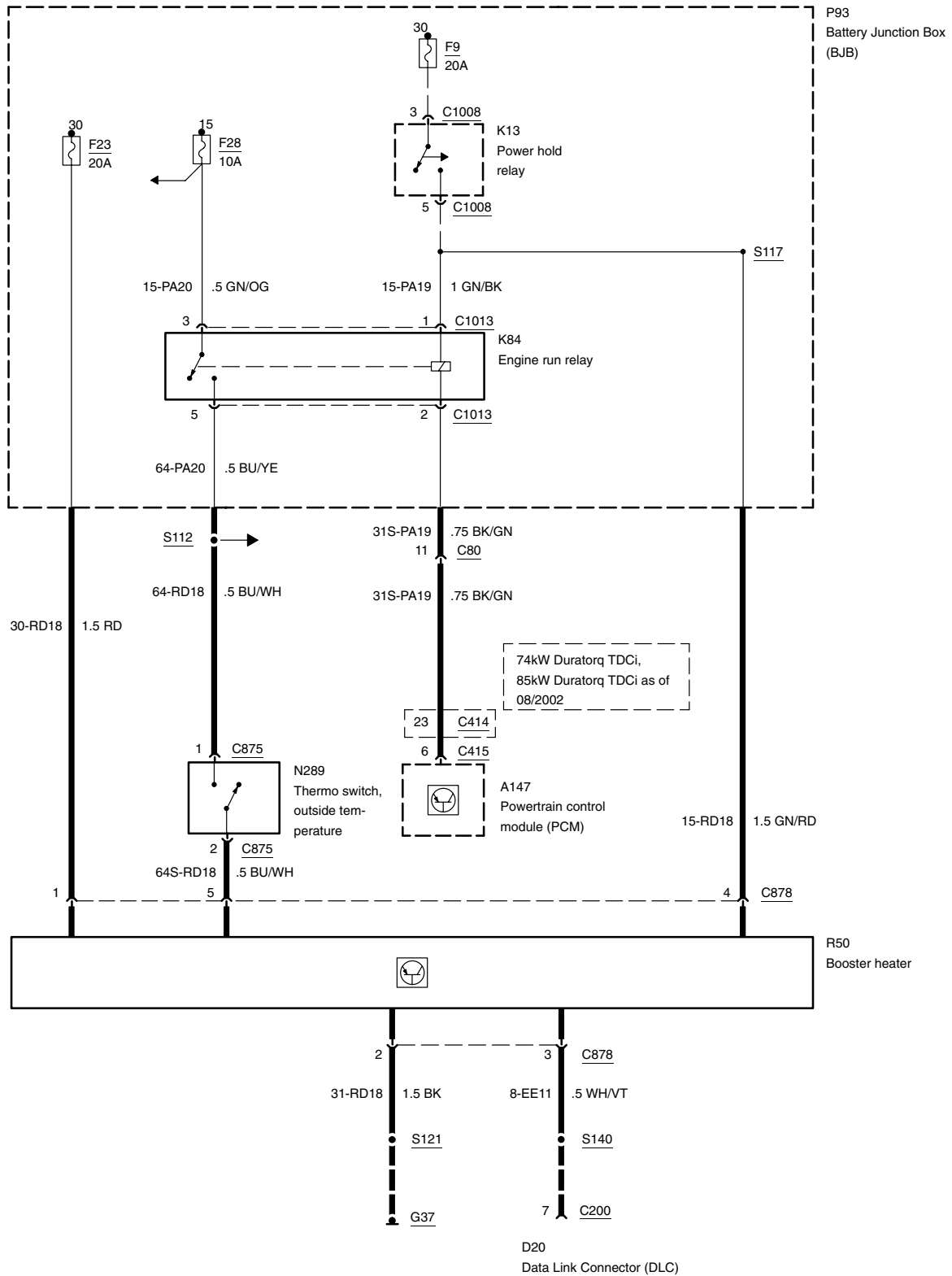




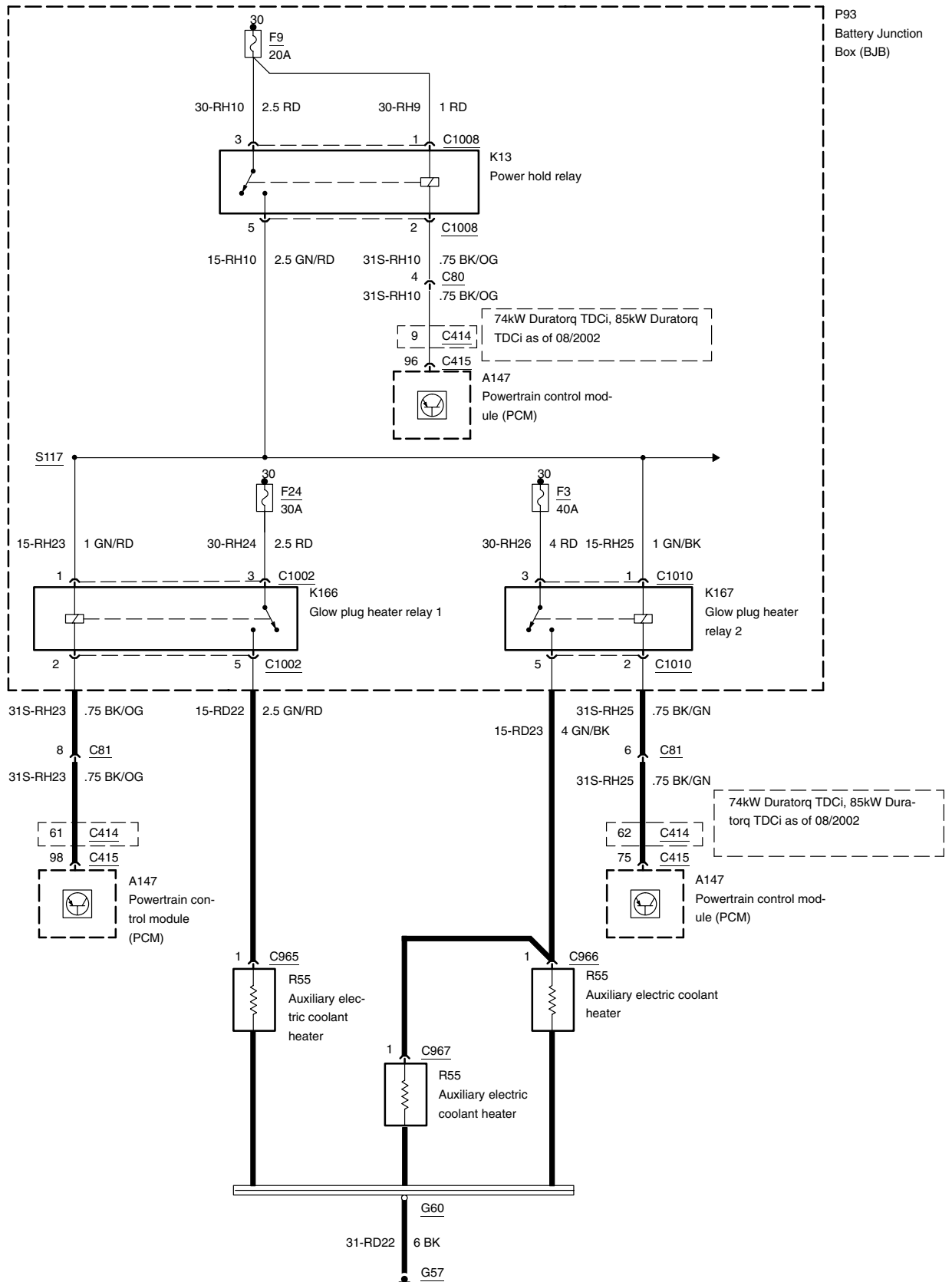


Diesel engines, with booster heater

-1

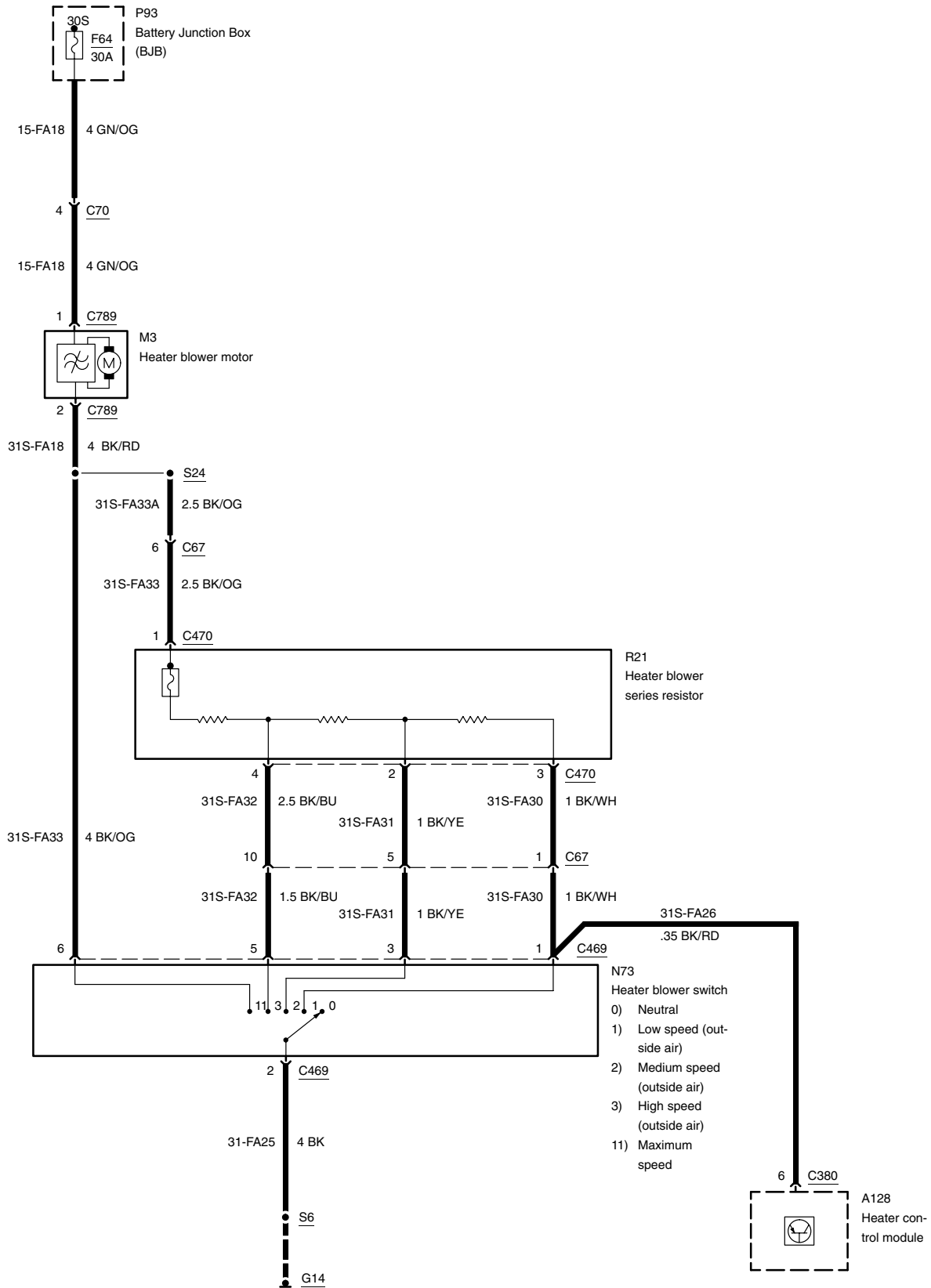


Diesel engines, with auxiliary electric coolant heater



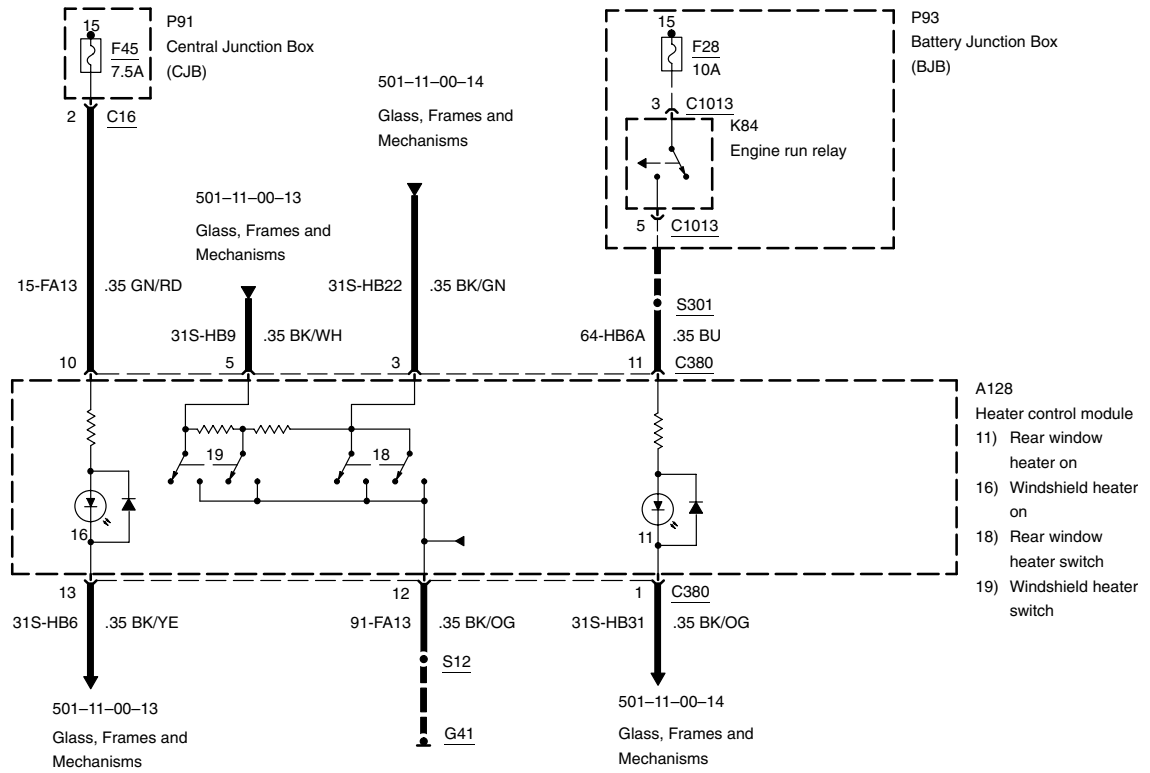
without EATC

-1



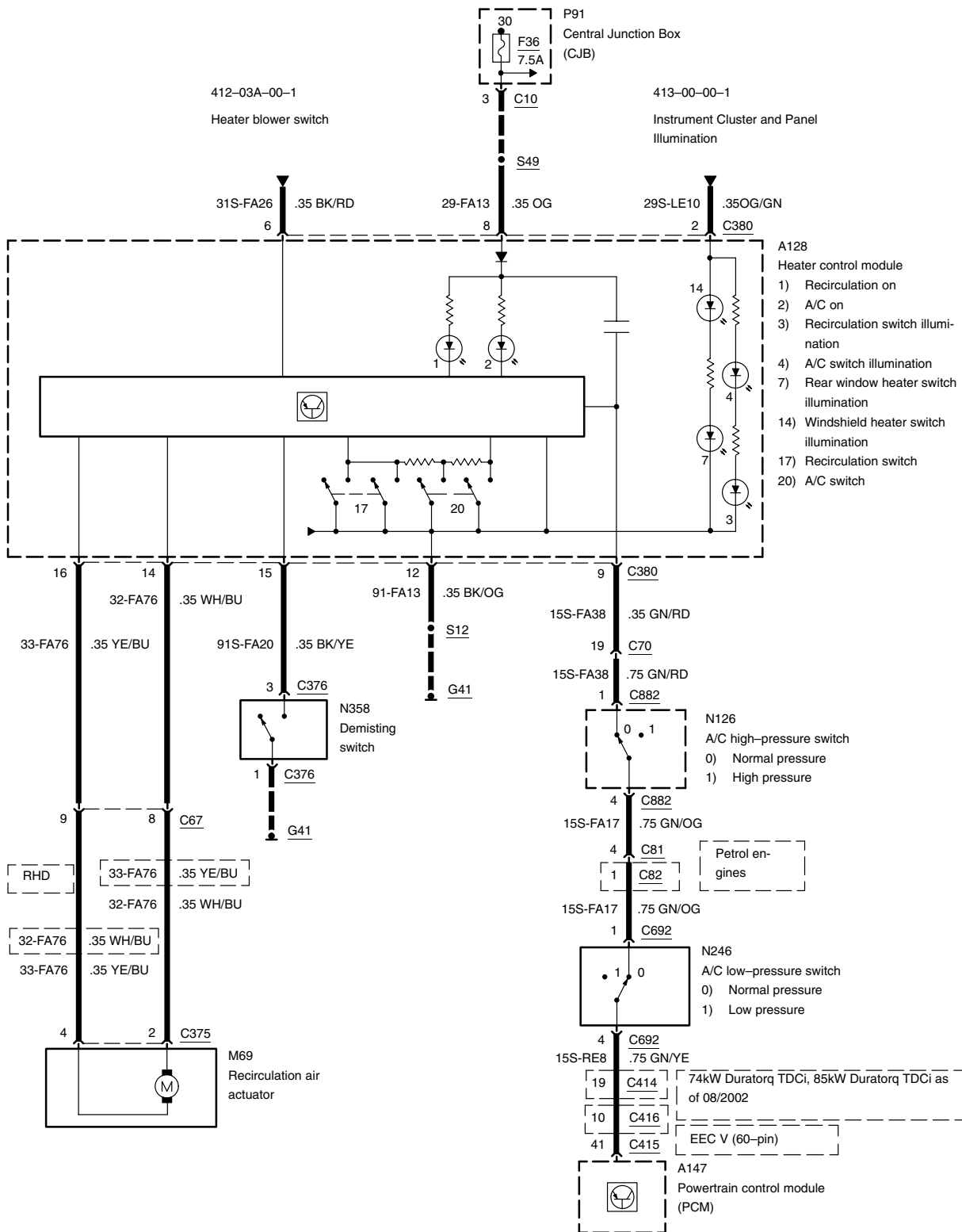


without EATC



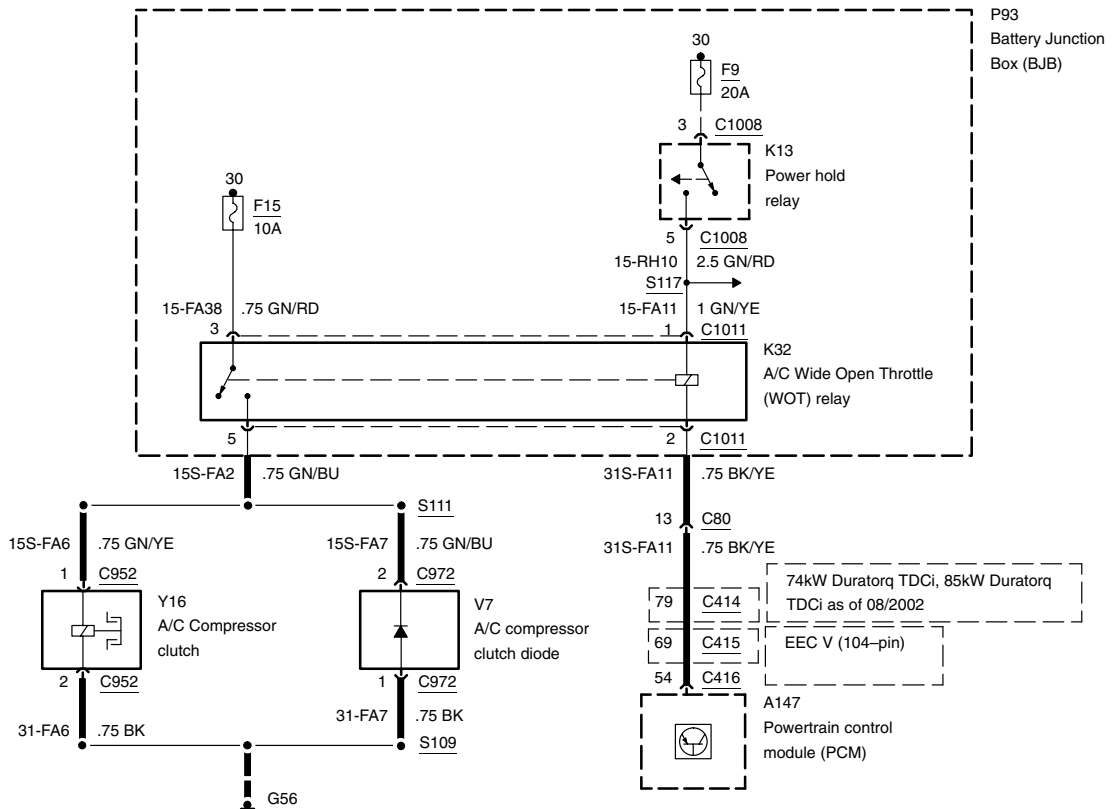
without EATC

-3



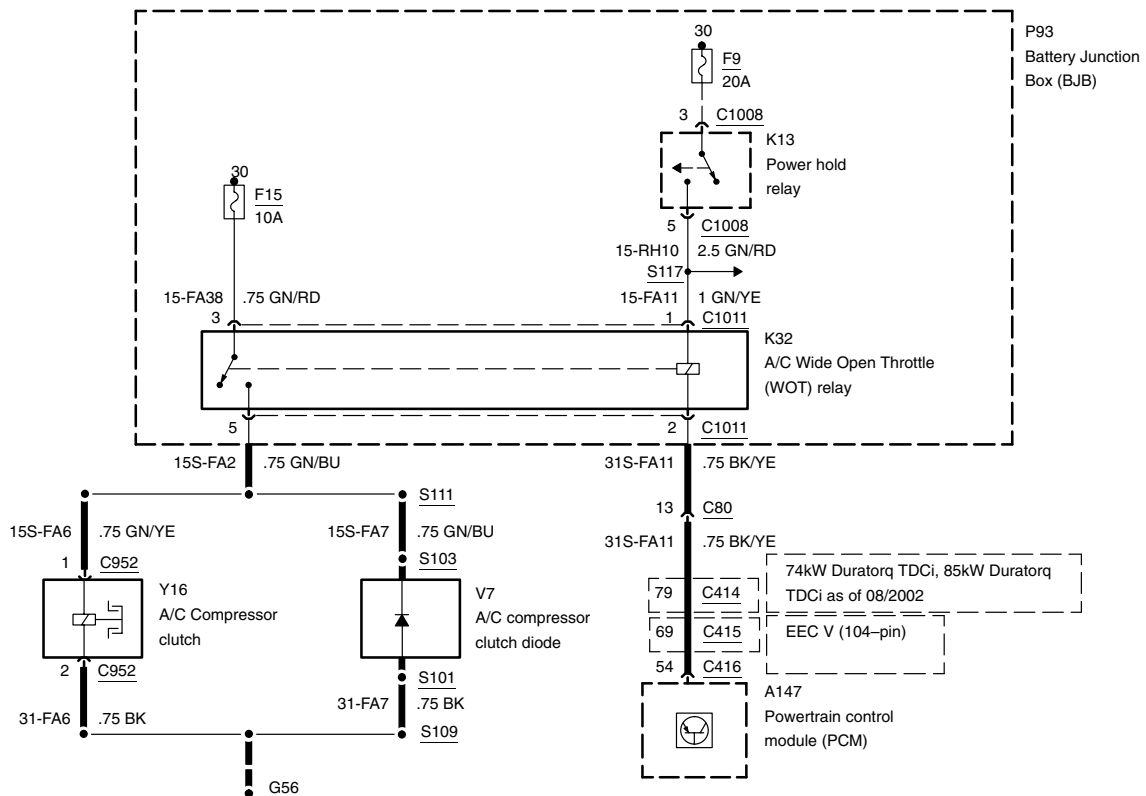
without EATC, before 01/2003

-4



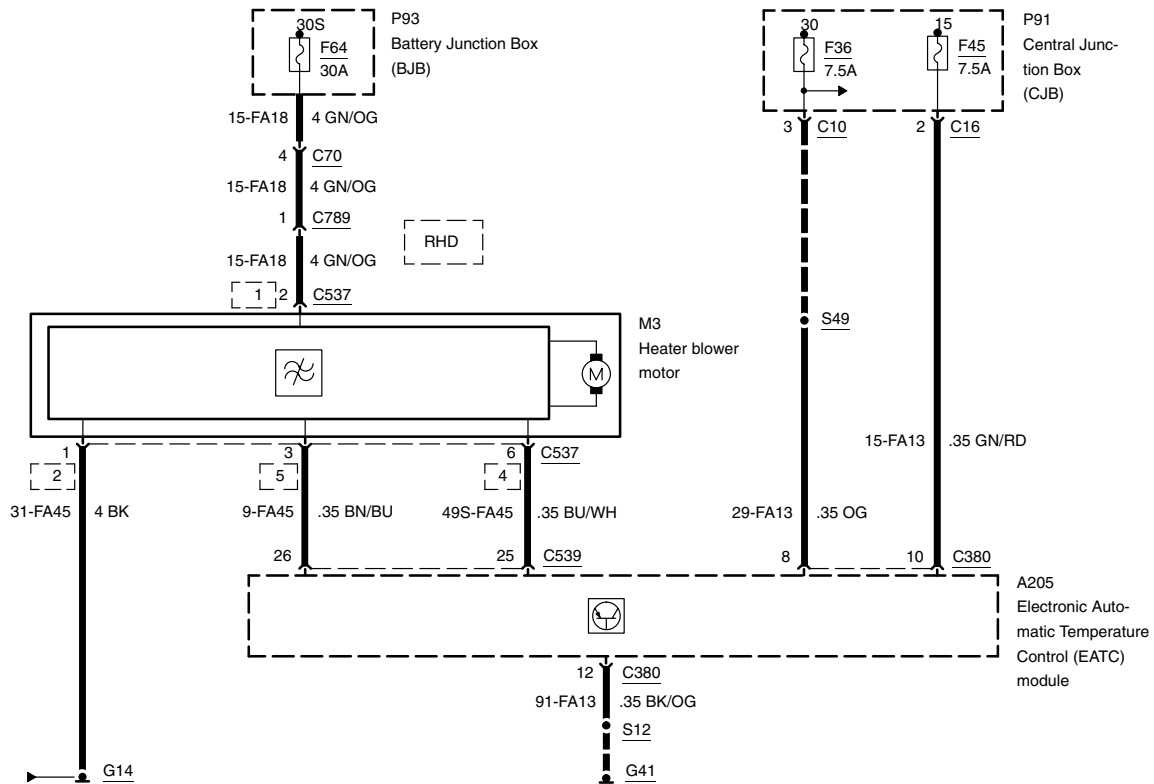
without EATC, as of 01/2003

-5



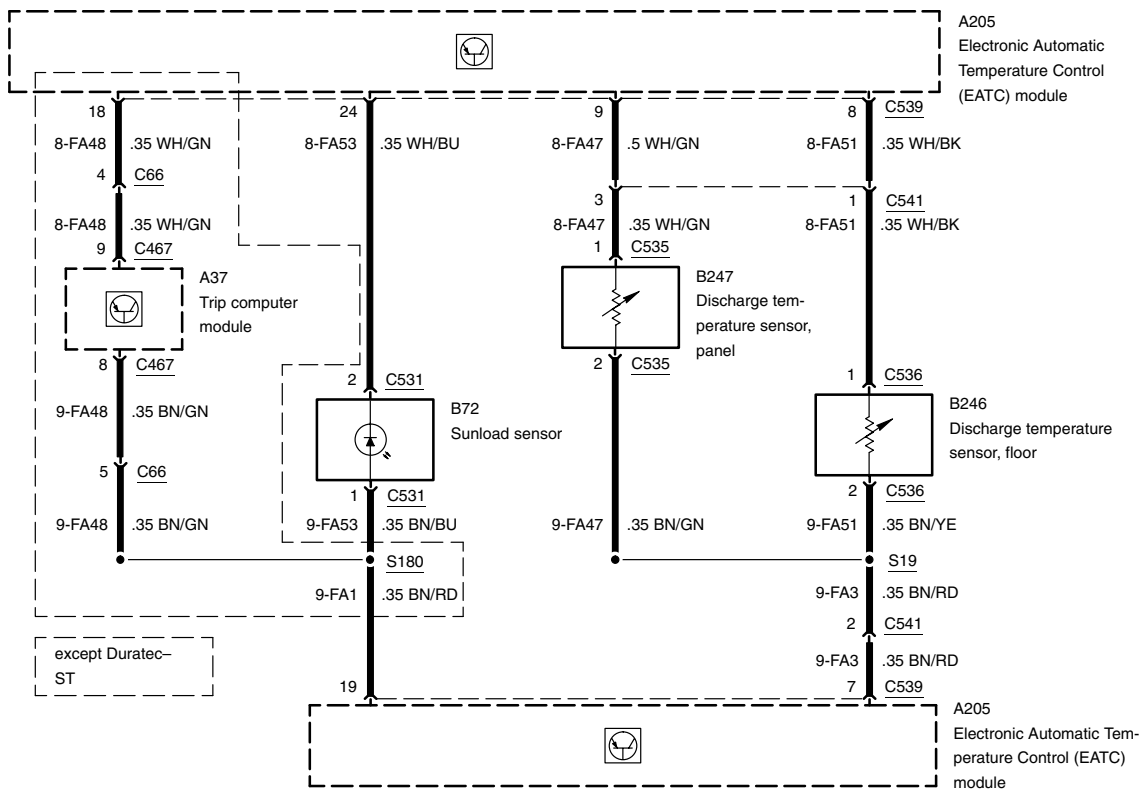
with EATC

-6

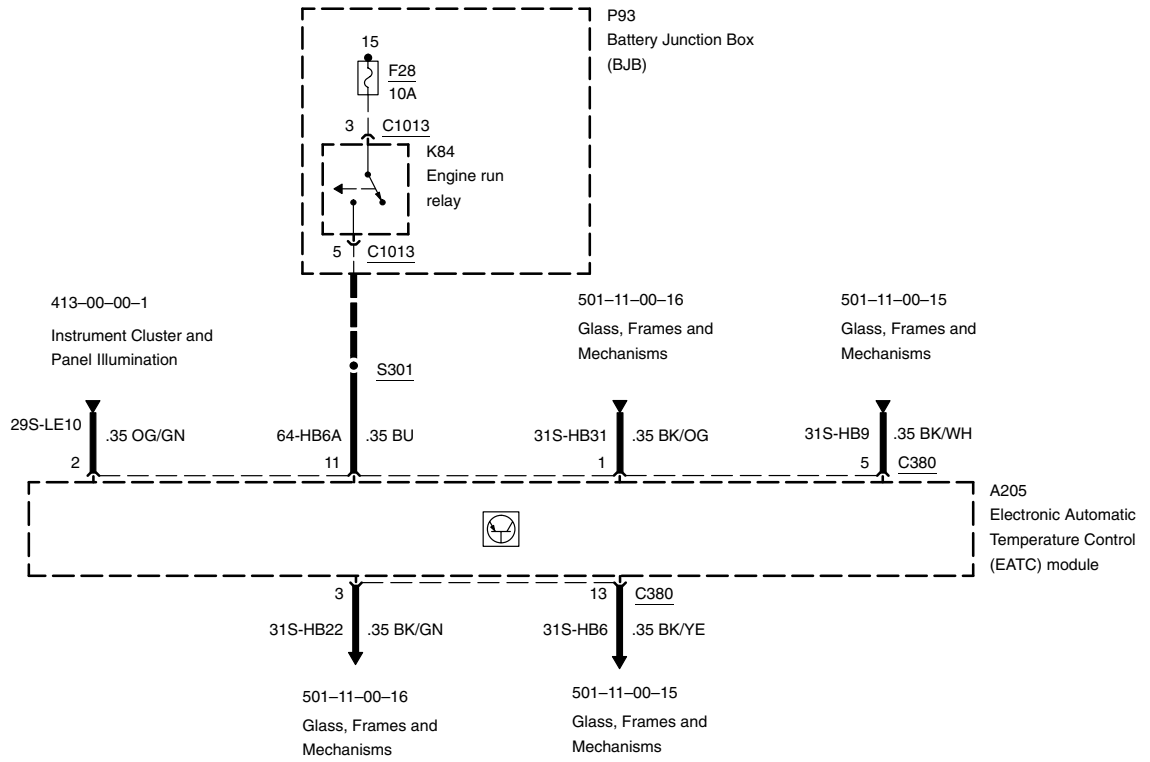


with EATC

-7

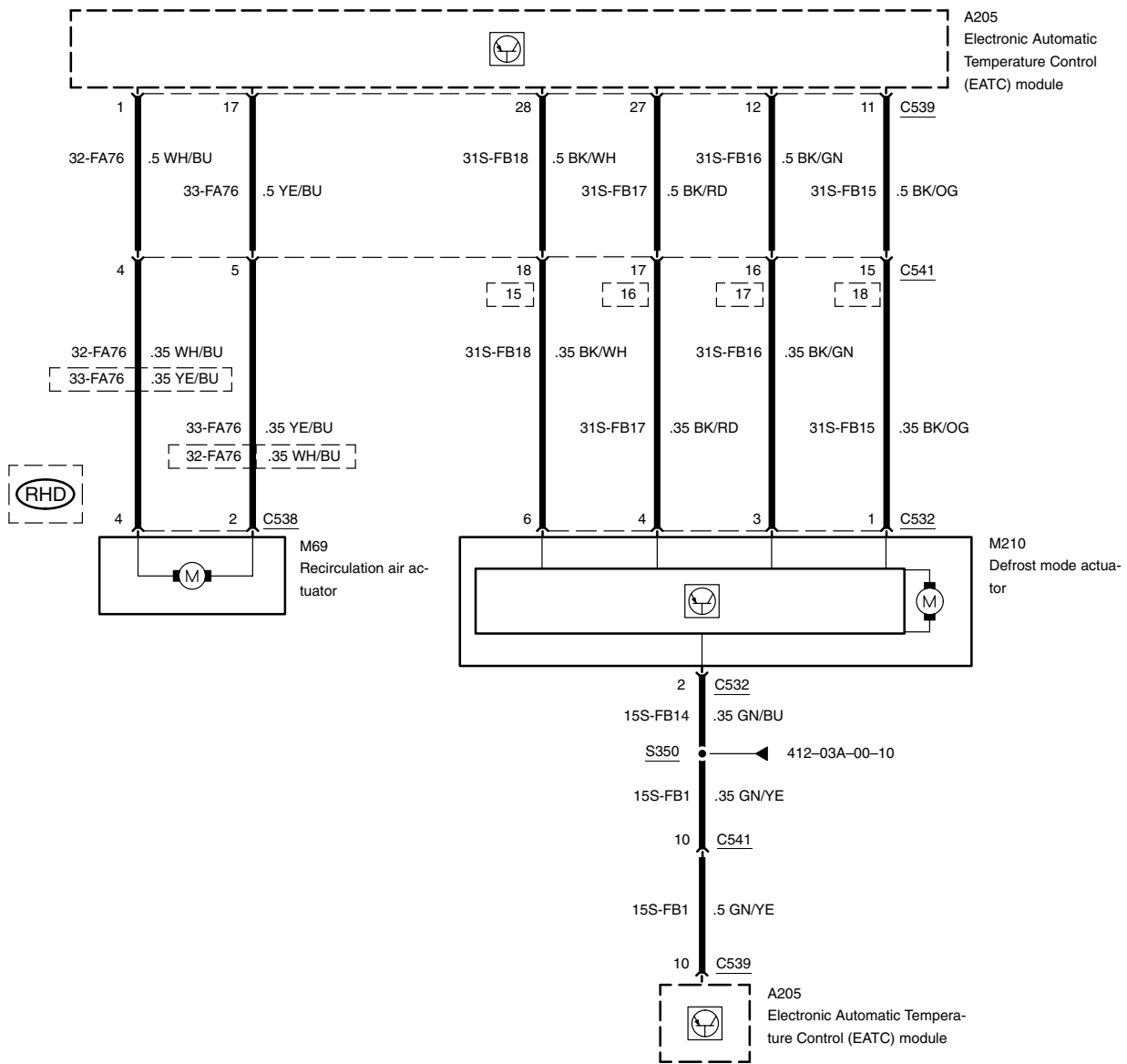


with EATC

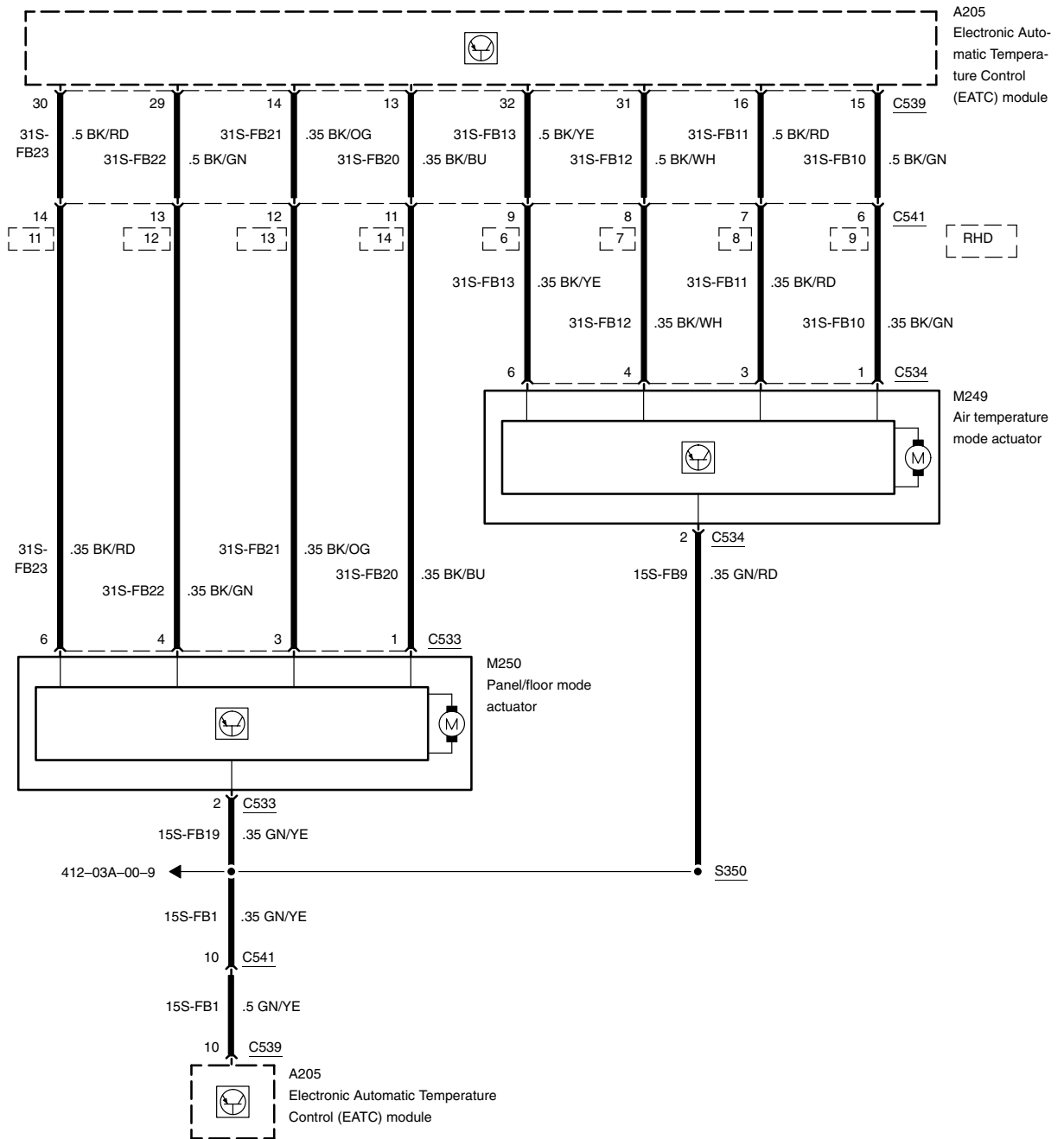


with EATC

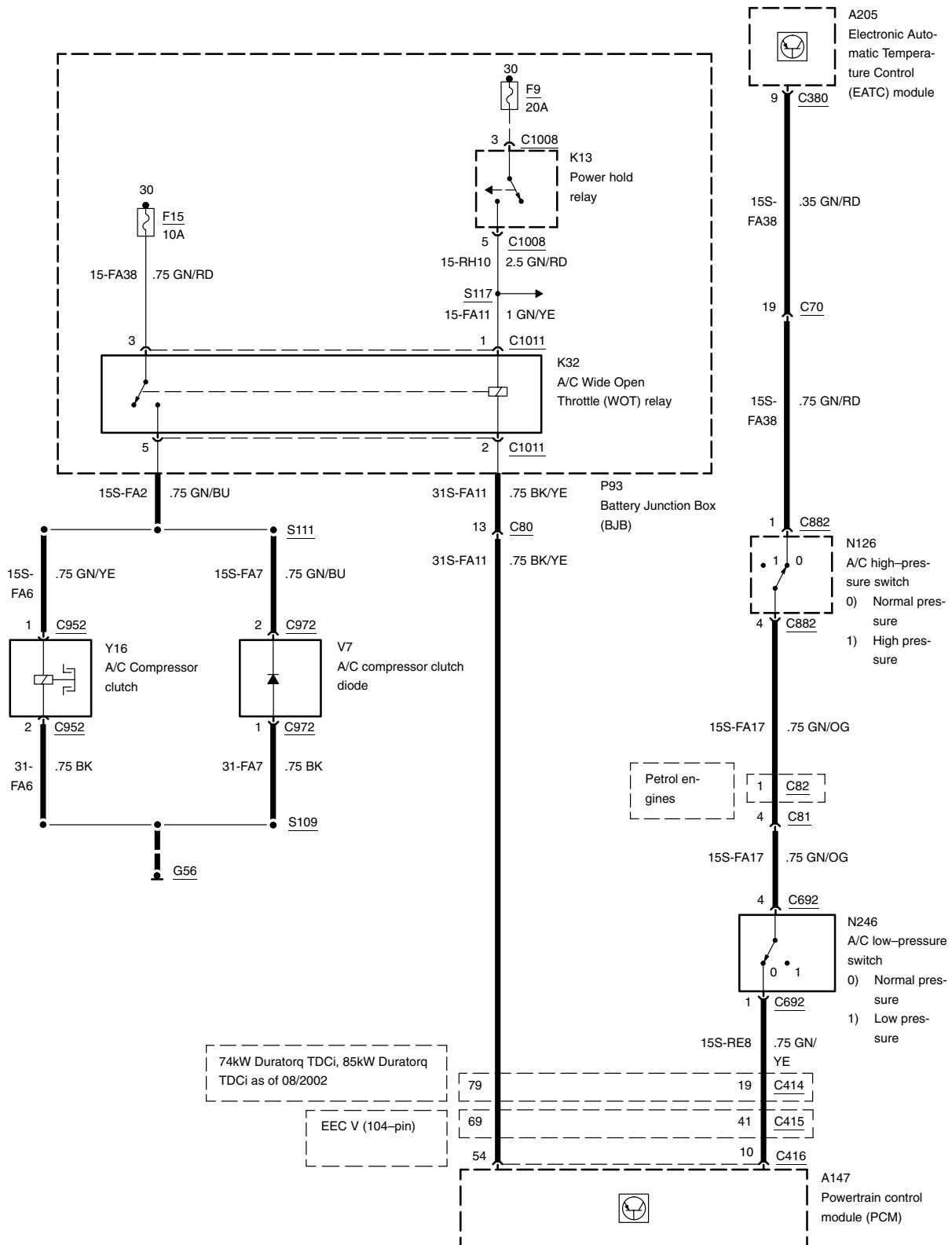
-9



with EATC

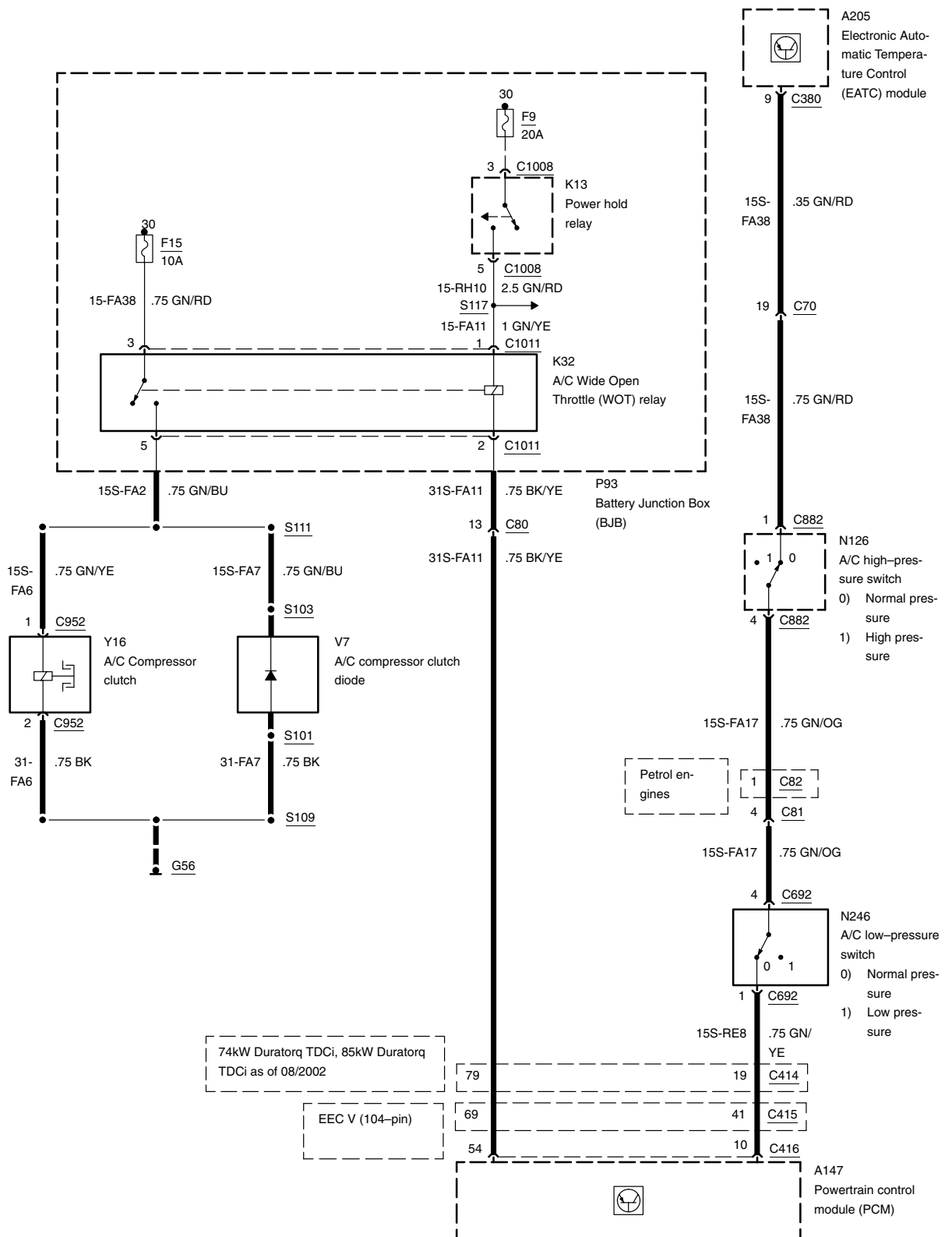


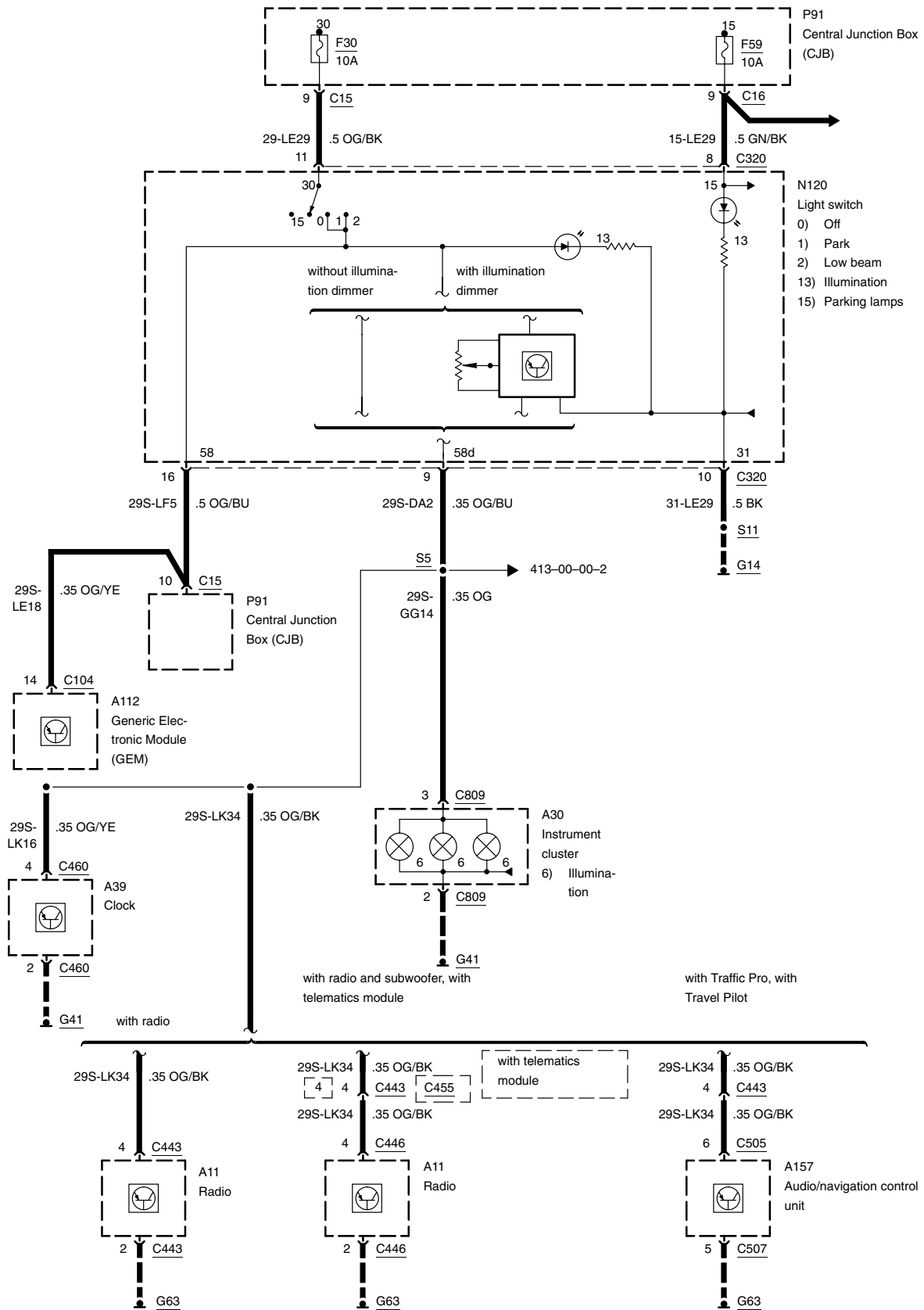
with EATC, before 01/2003

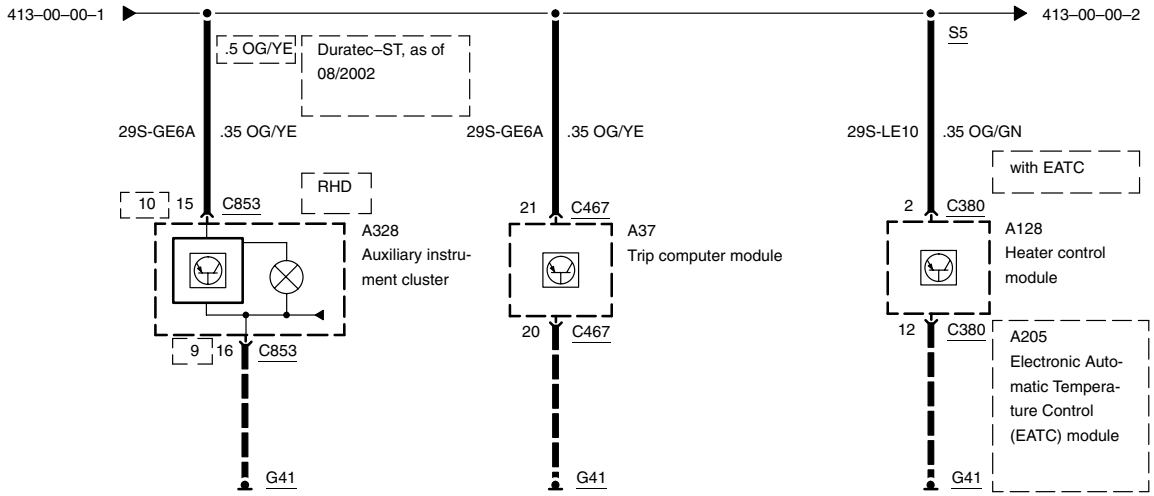


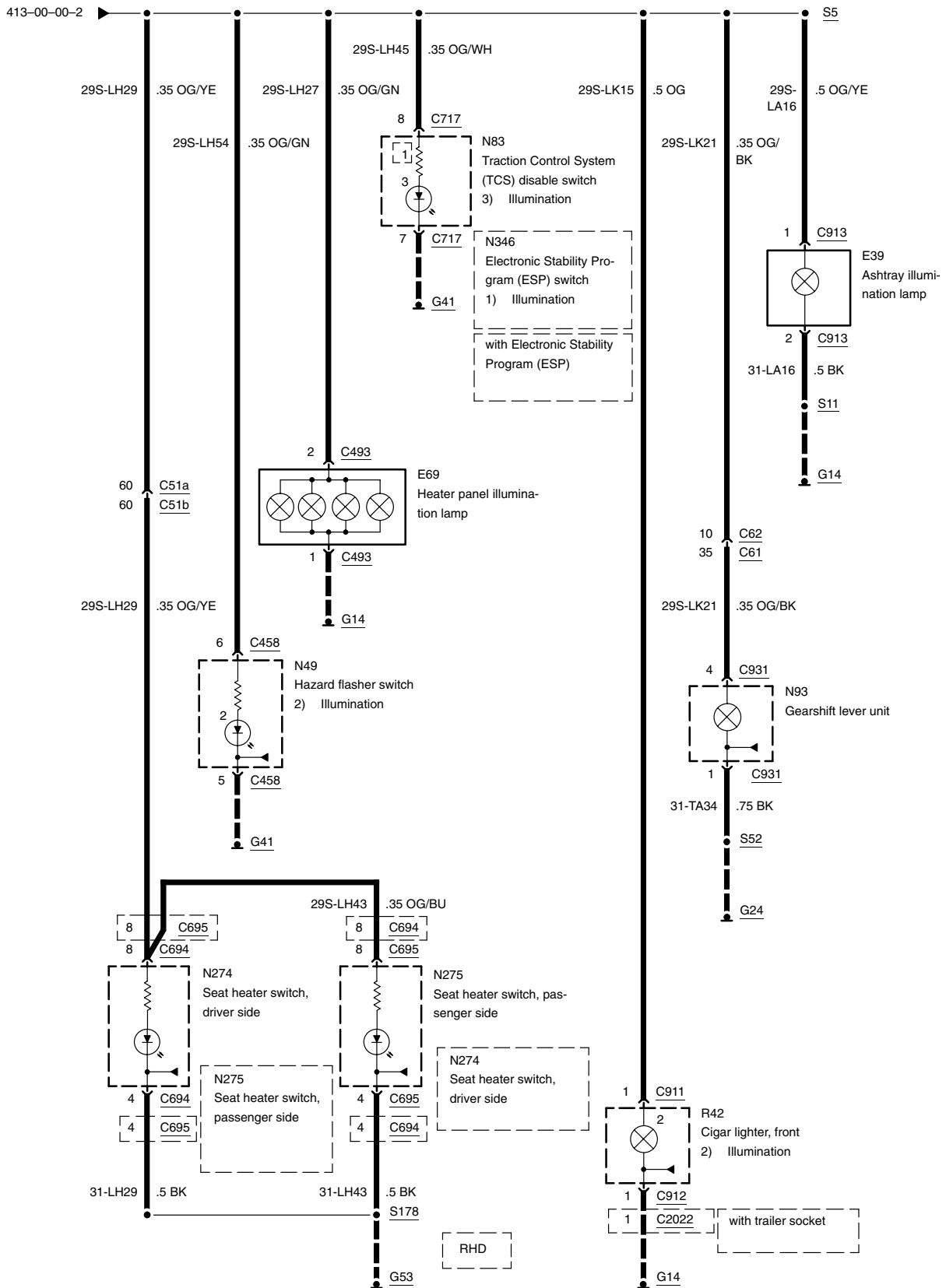


with EATC, as of 01/2003

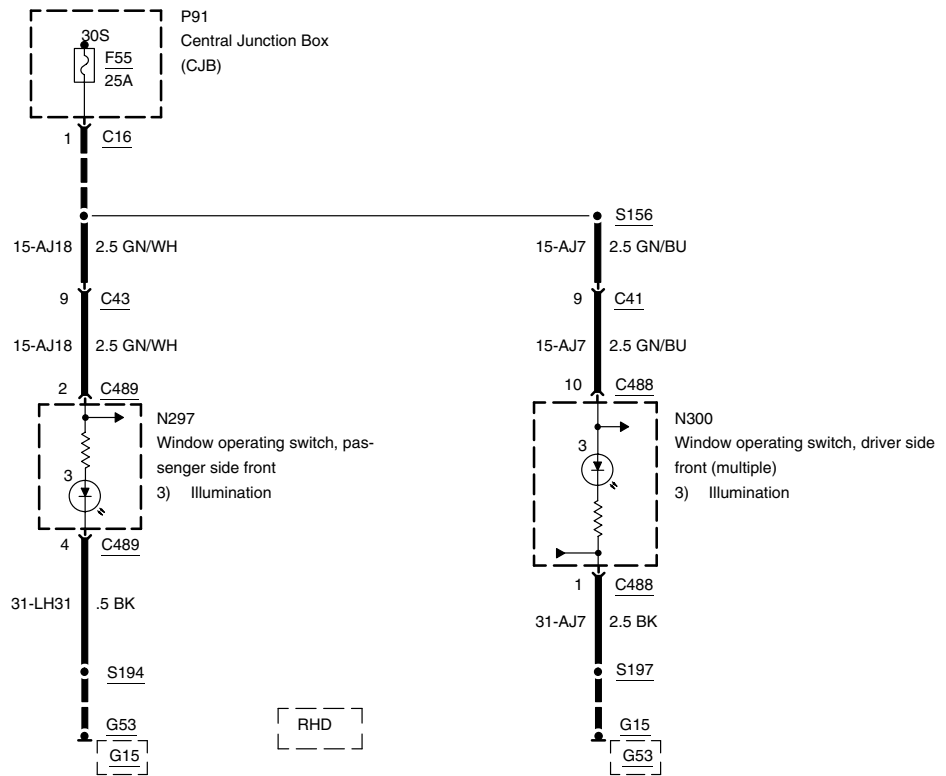




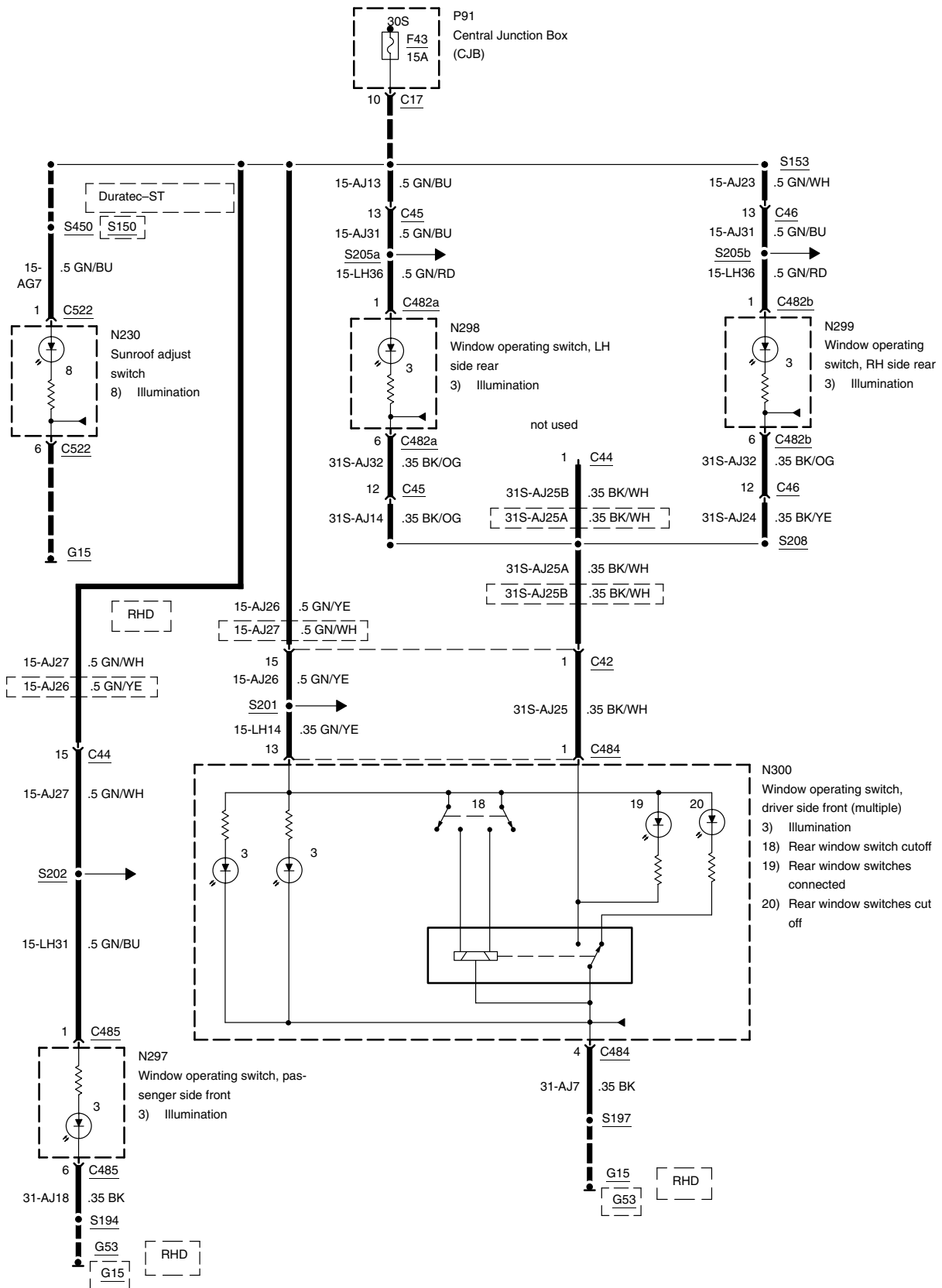




with front power windows

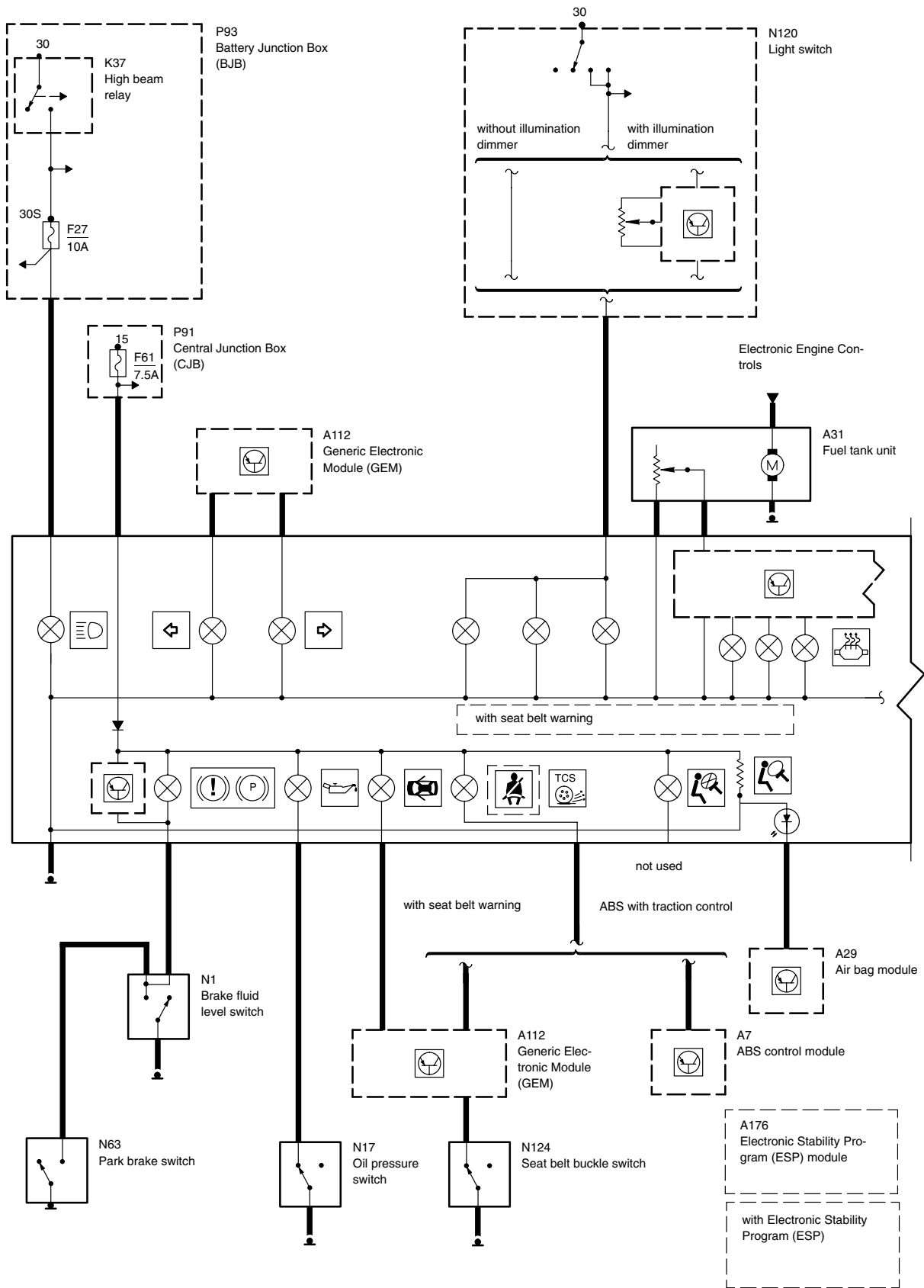


with front and rear power windows



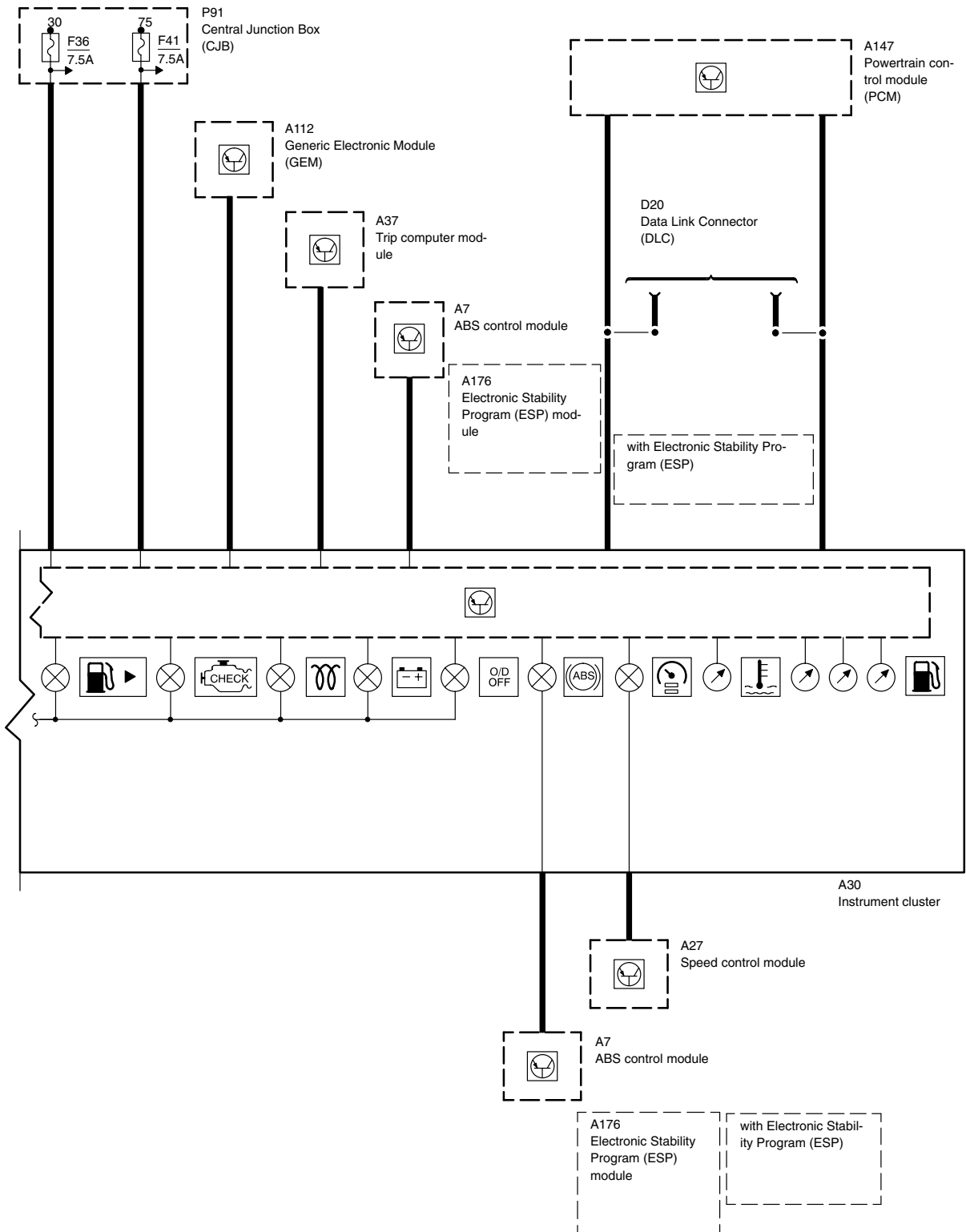


-A



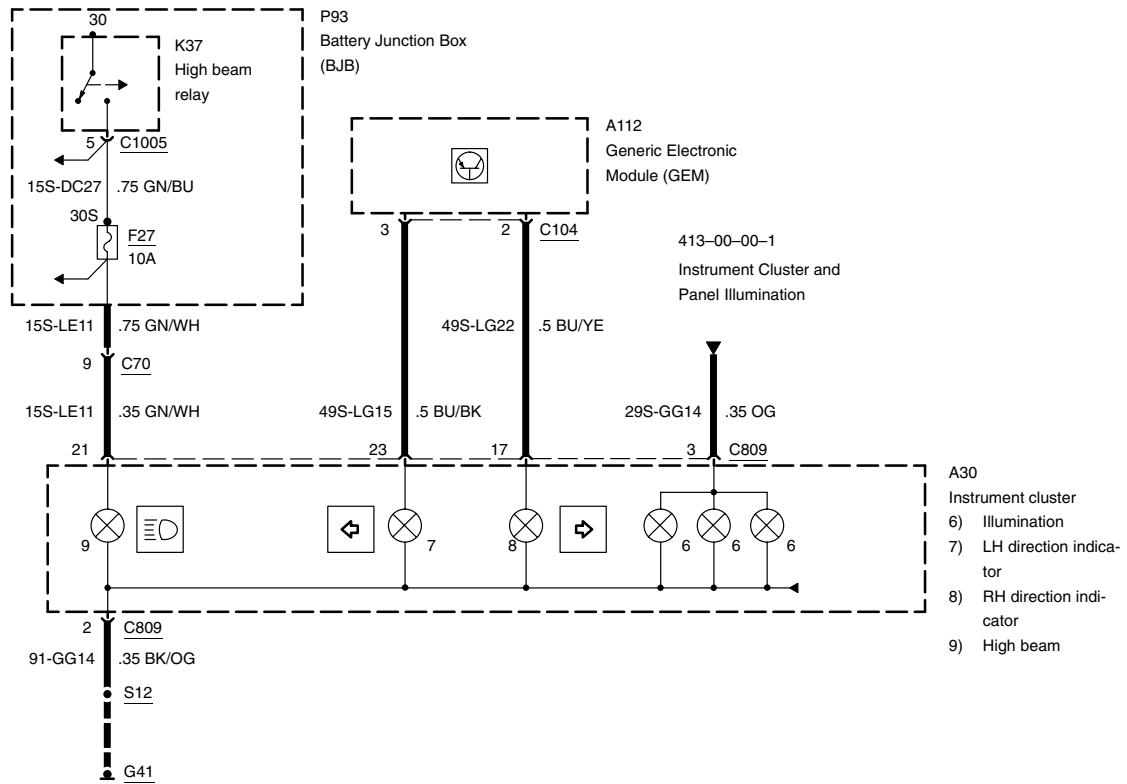


-B



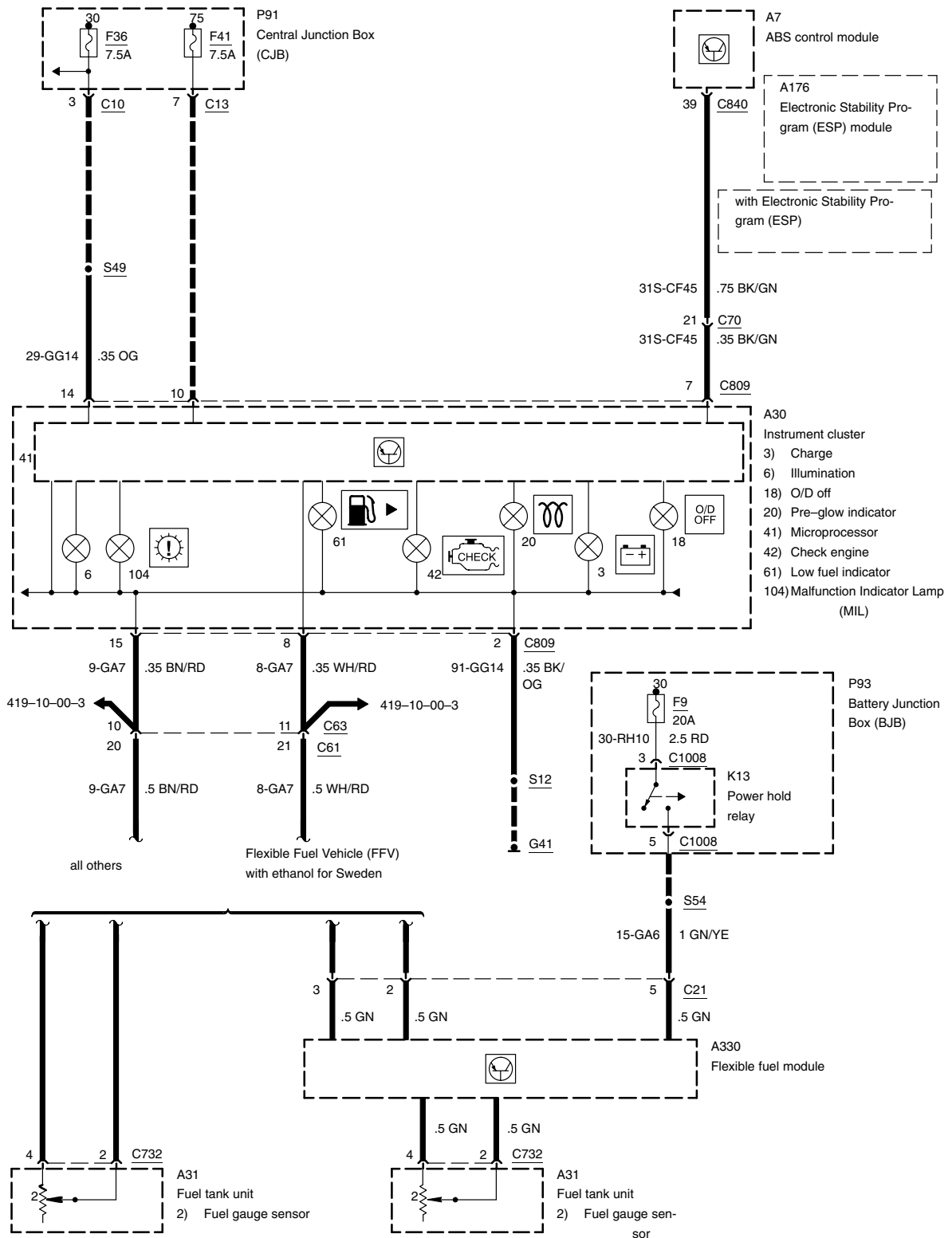
except Duratec-RS

-1



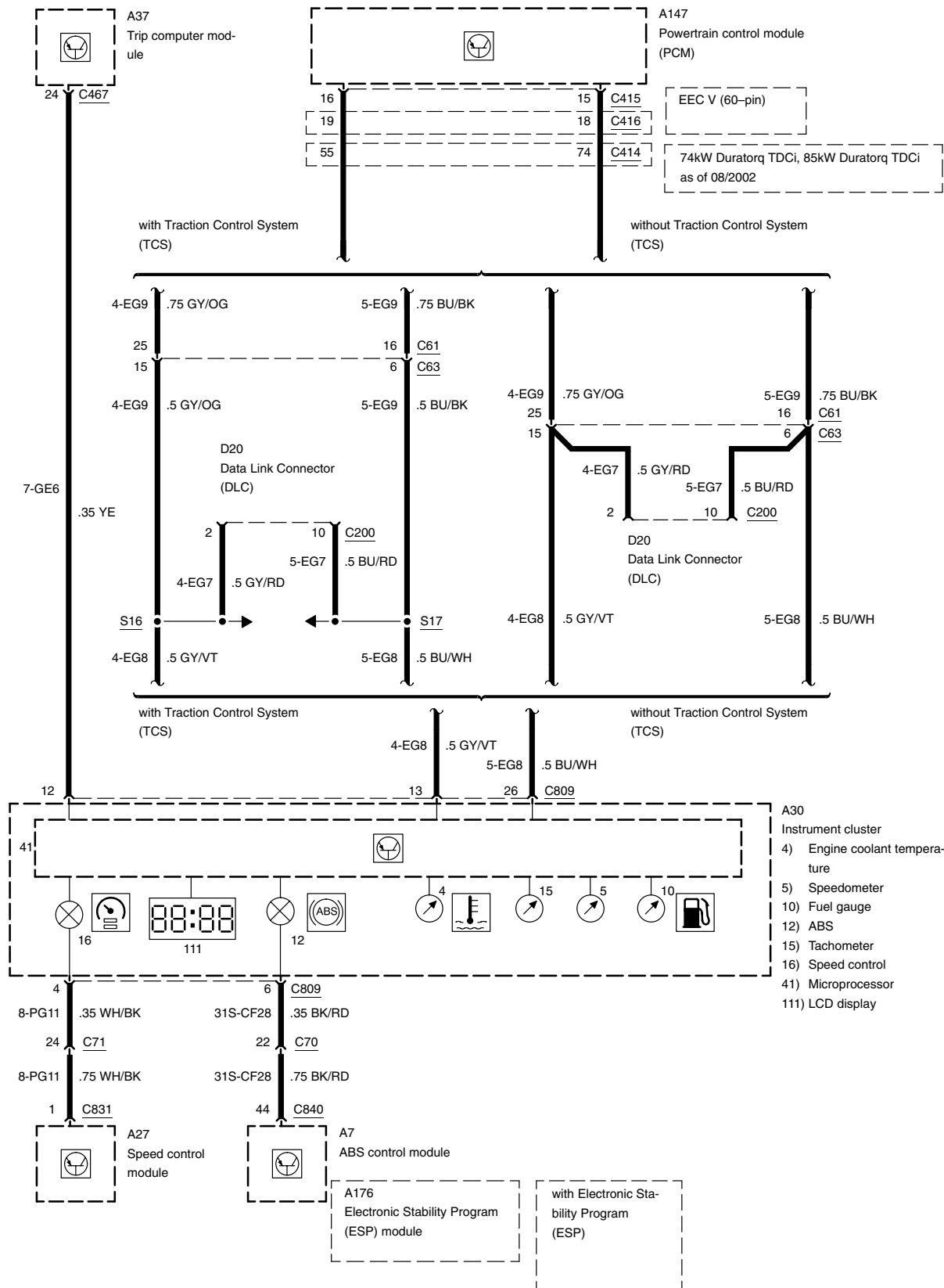
except Duratec-RS

-2

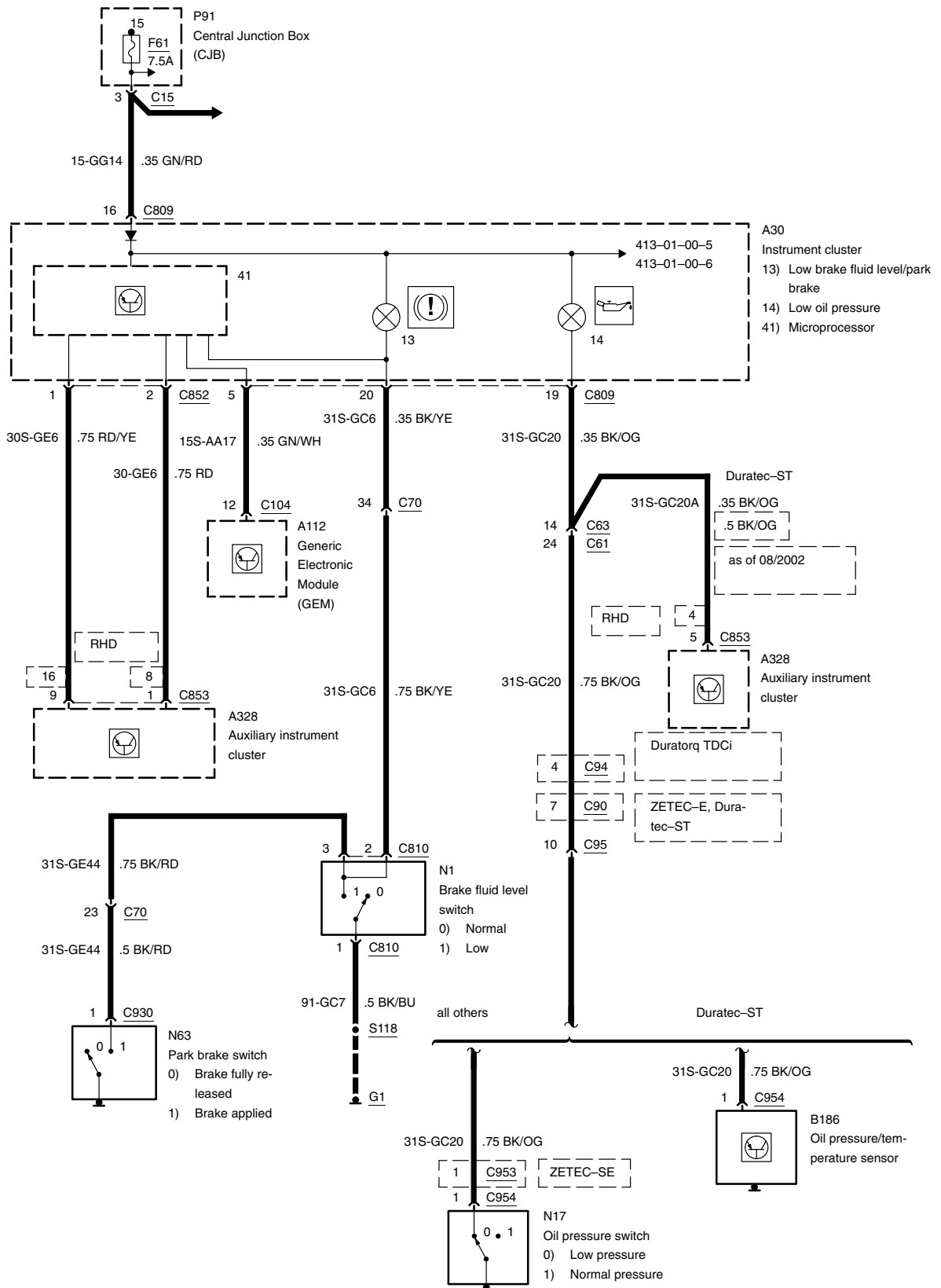


except Duratec-RS

-3

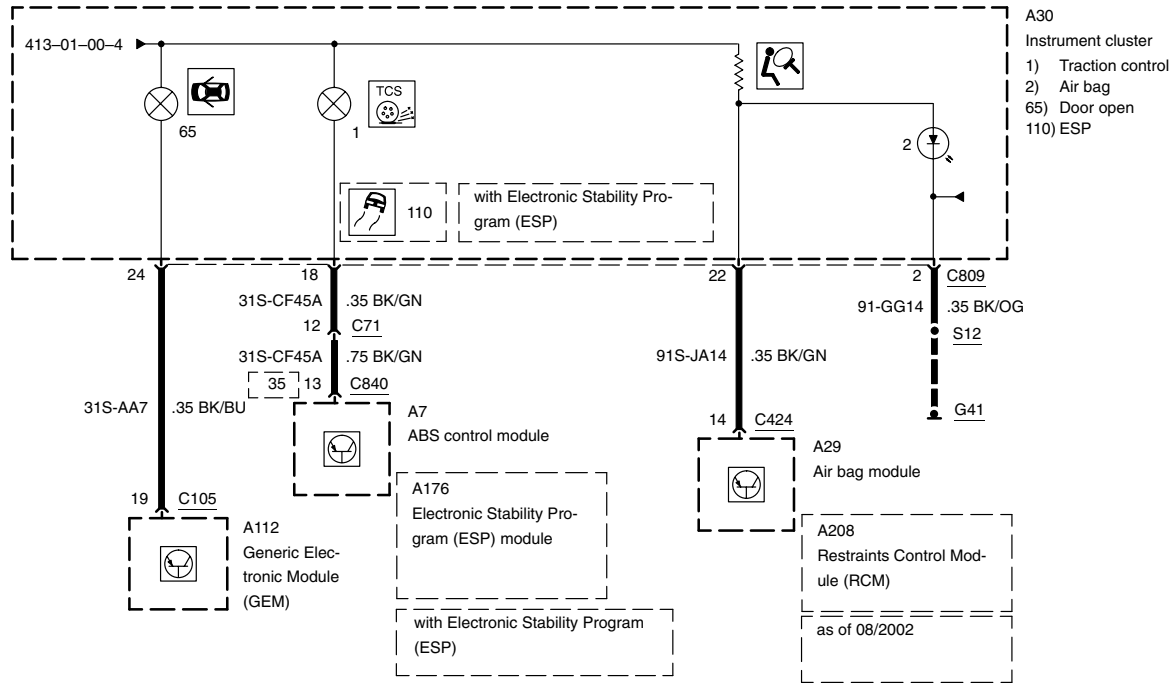


except Duratec-RS

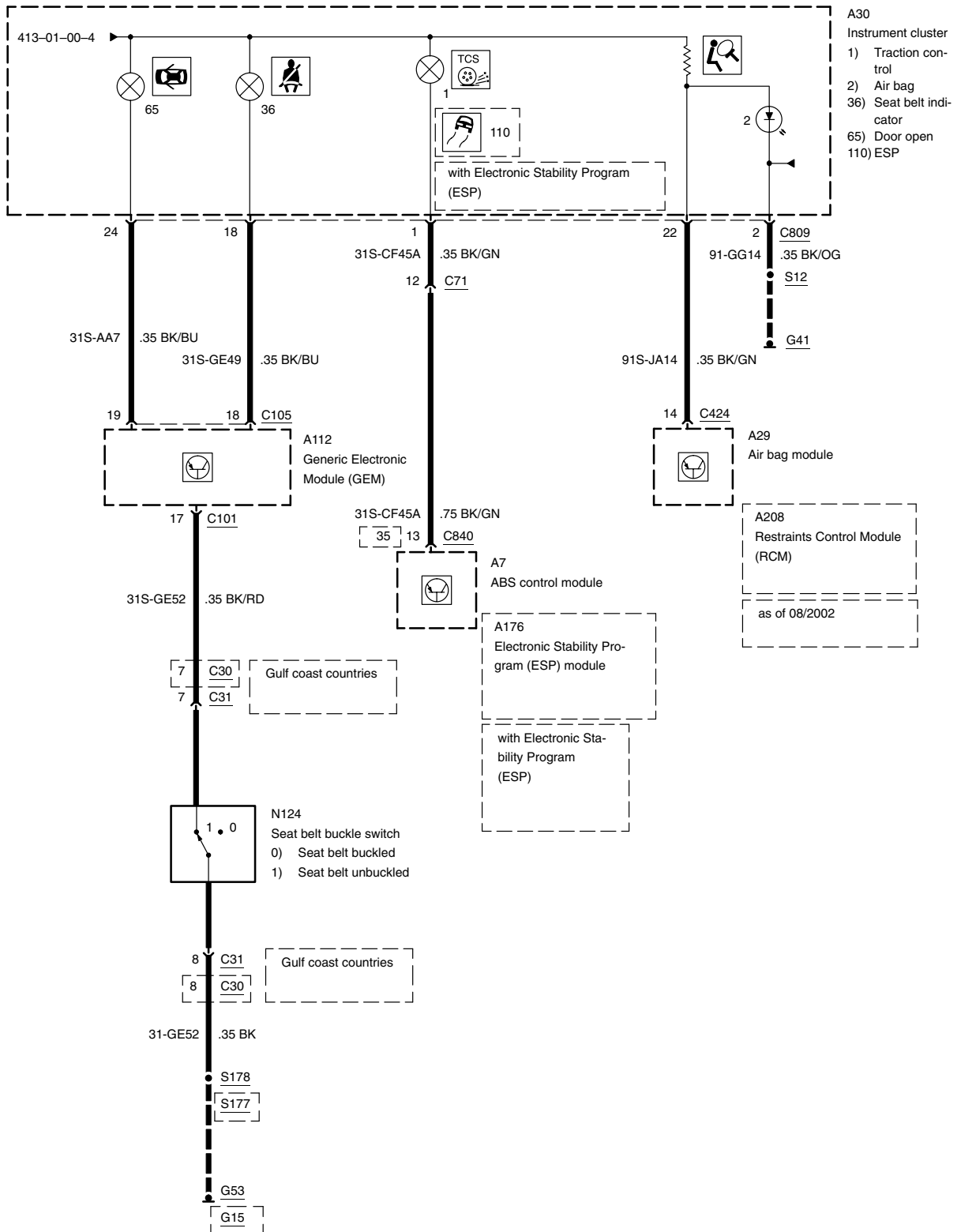


except Duratec-RS, without seat belt warning

-5

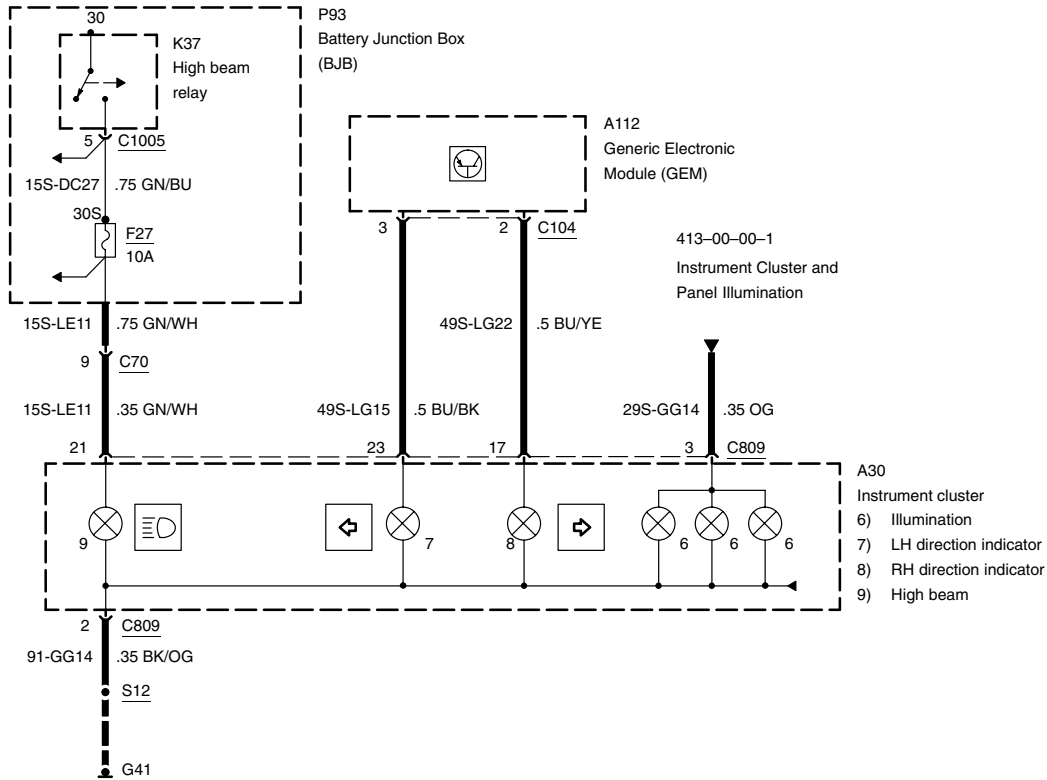


except Duratec-RS, with seat belt warning



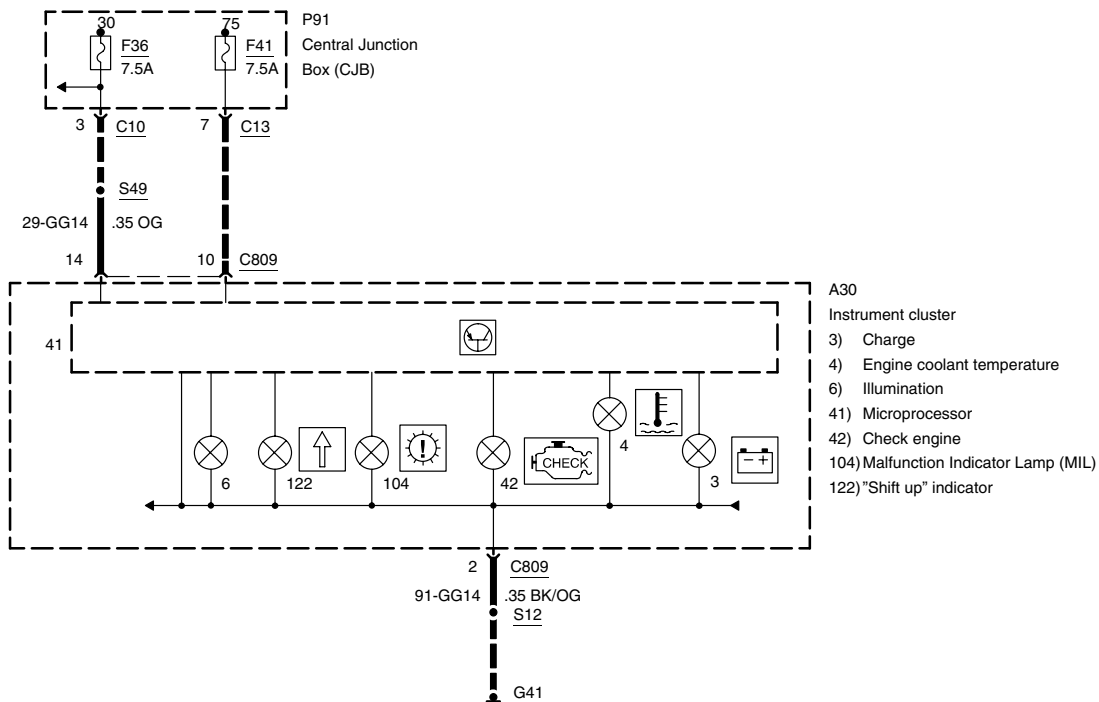
Duratec-RS

-7



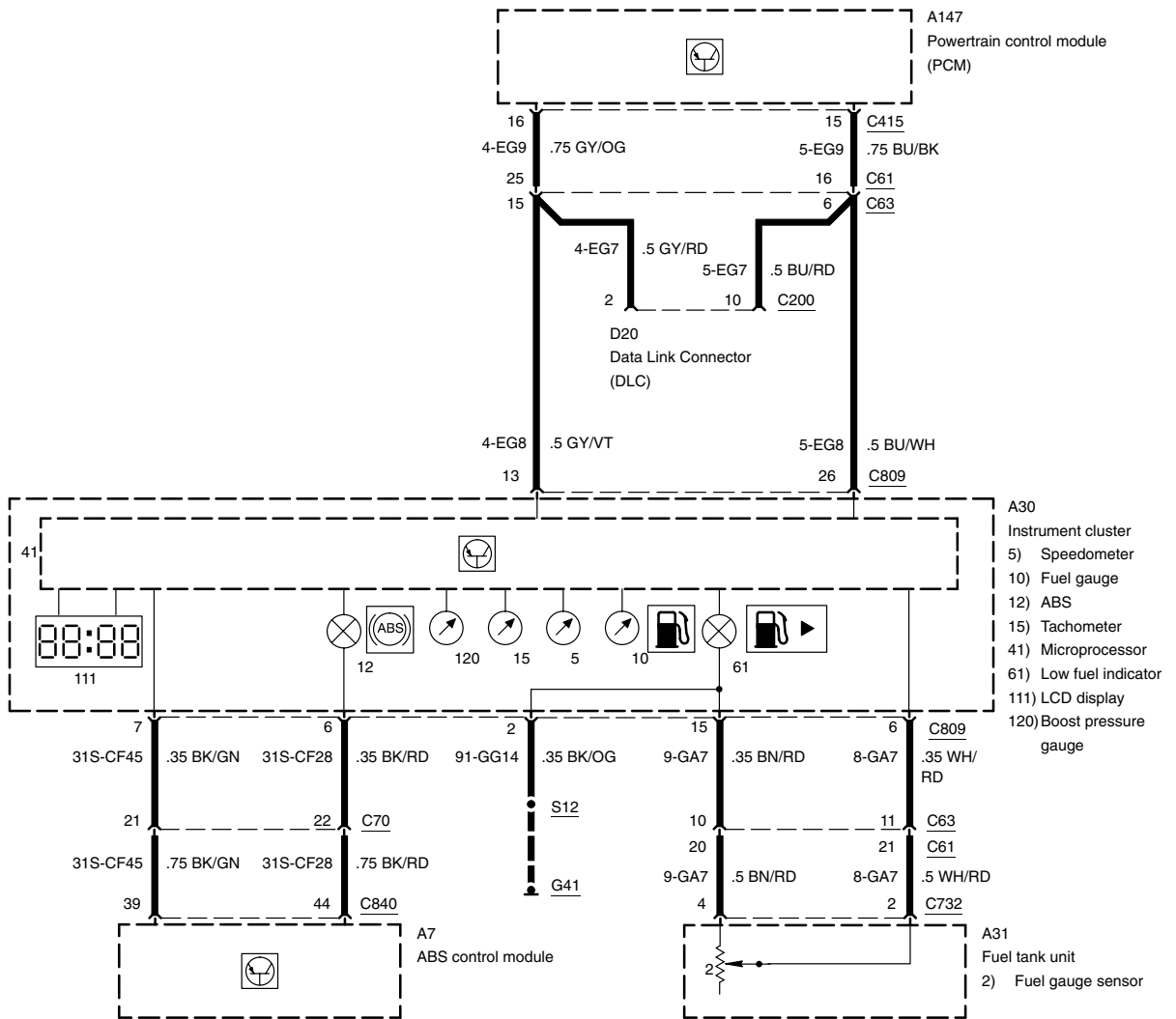
Duratec-RS

-8

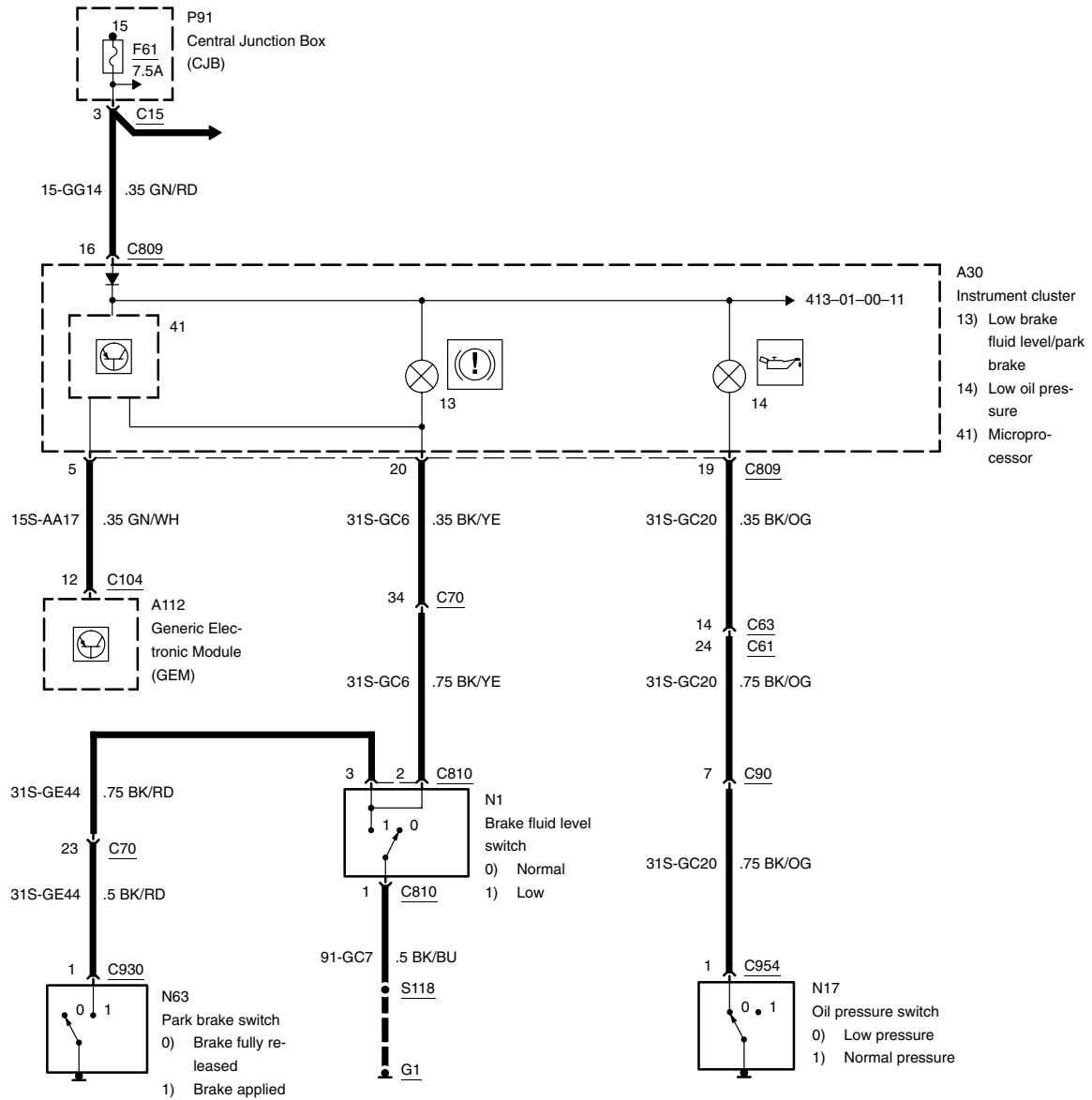




Duratec-RS

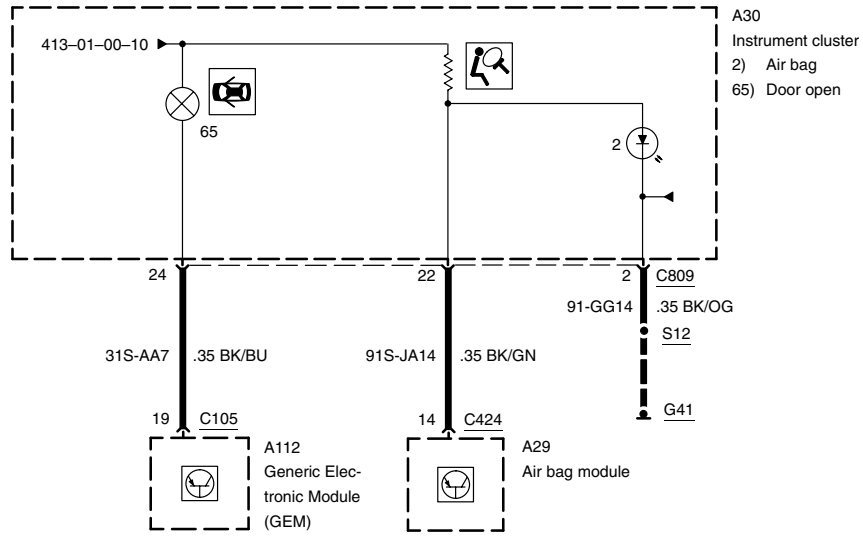


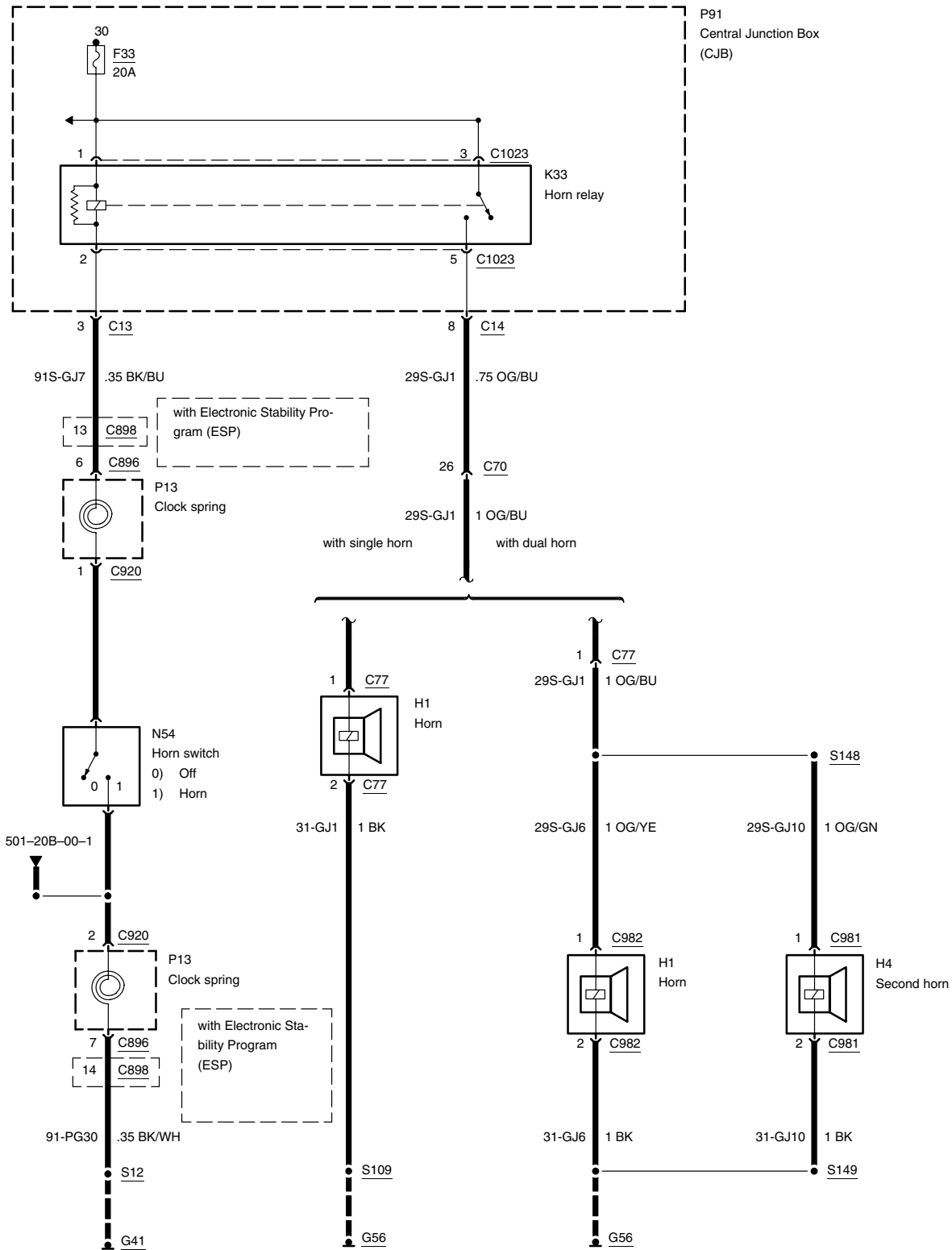
Duratec-RS



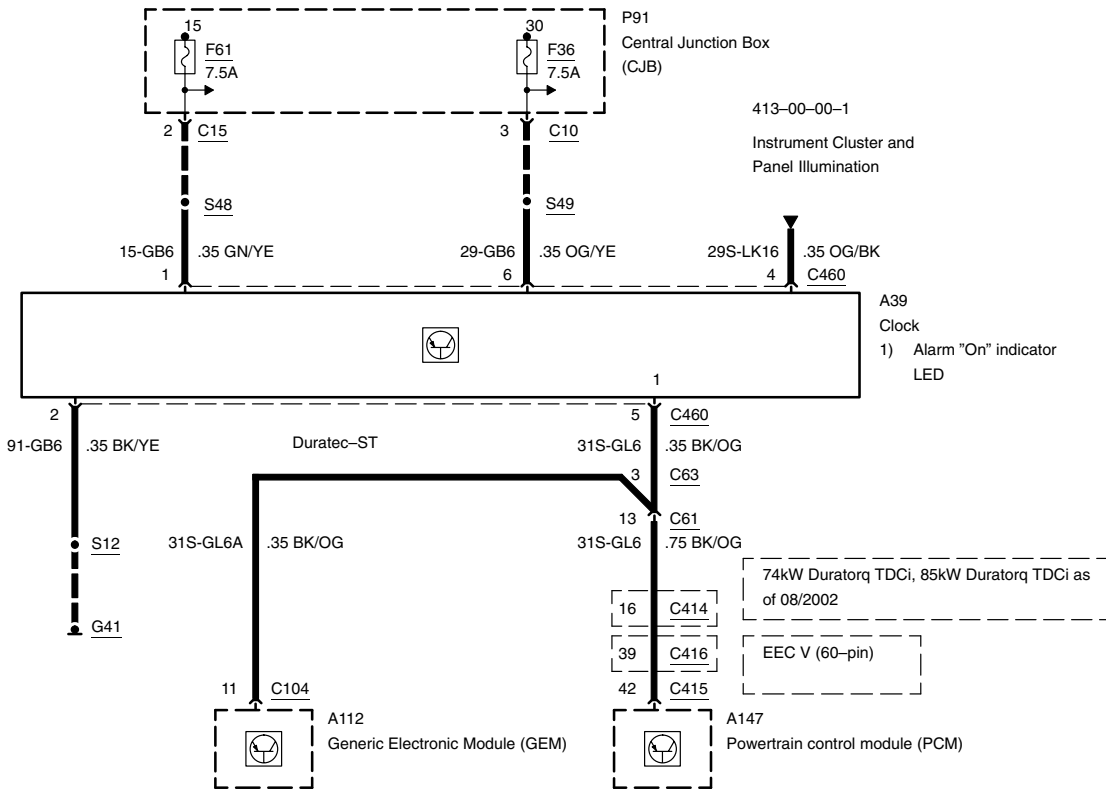
Duratec-RS

-11

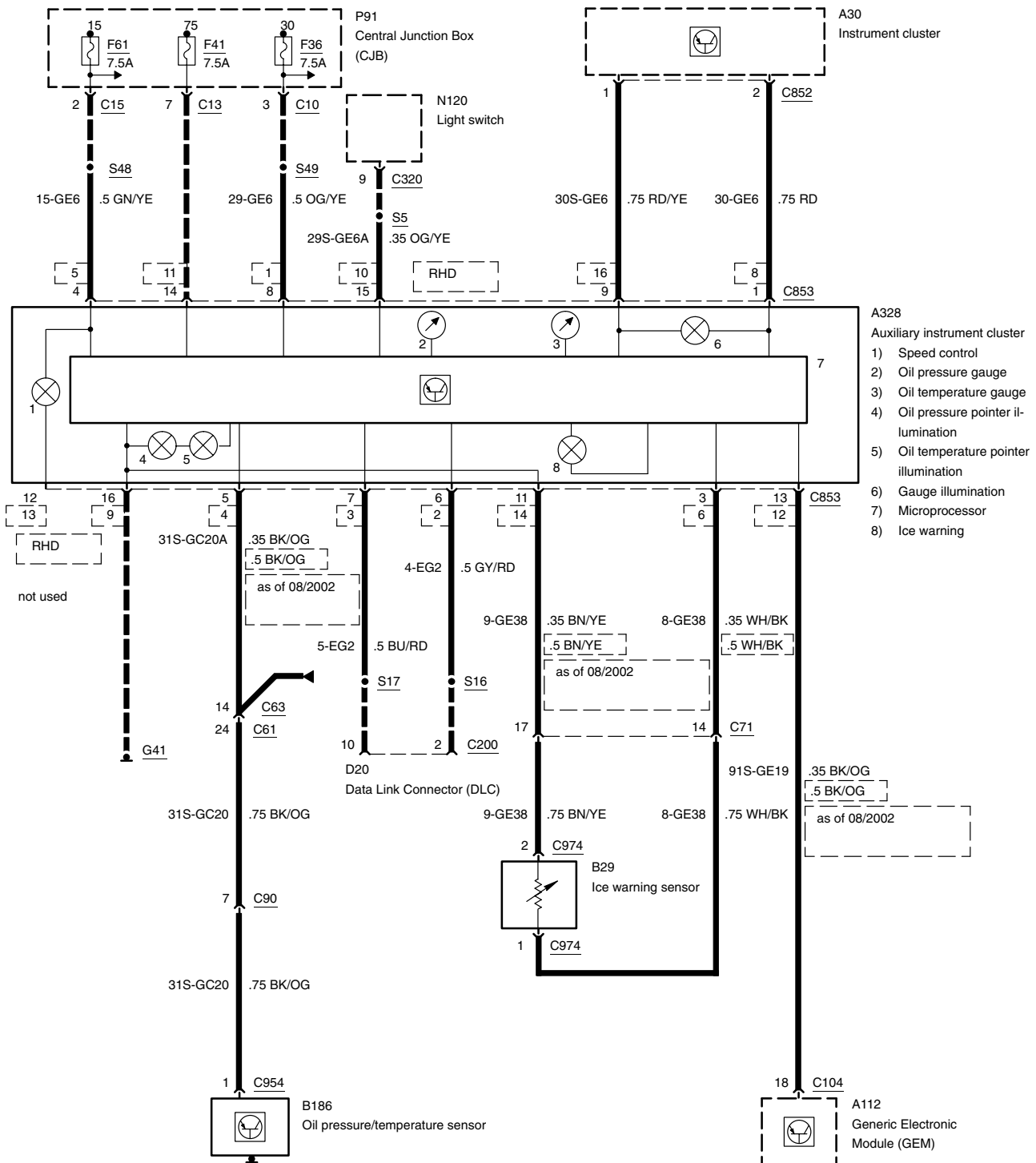










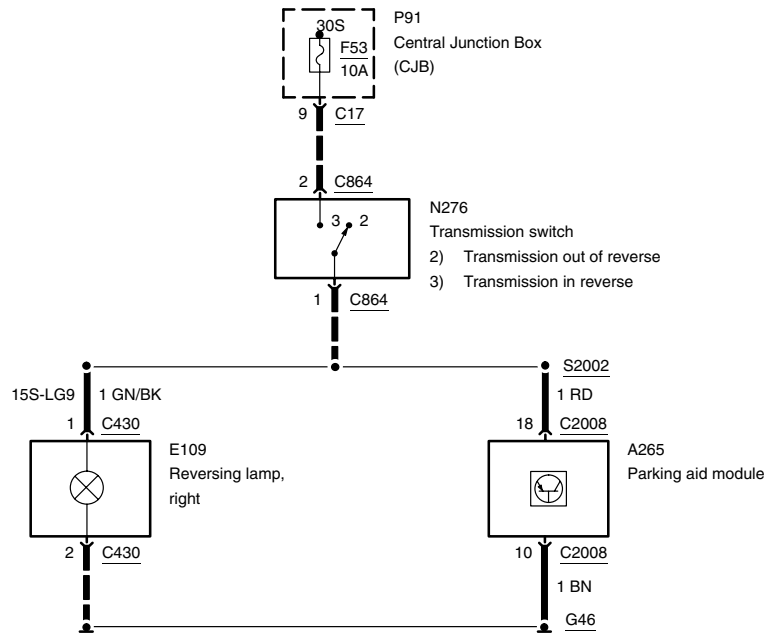






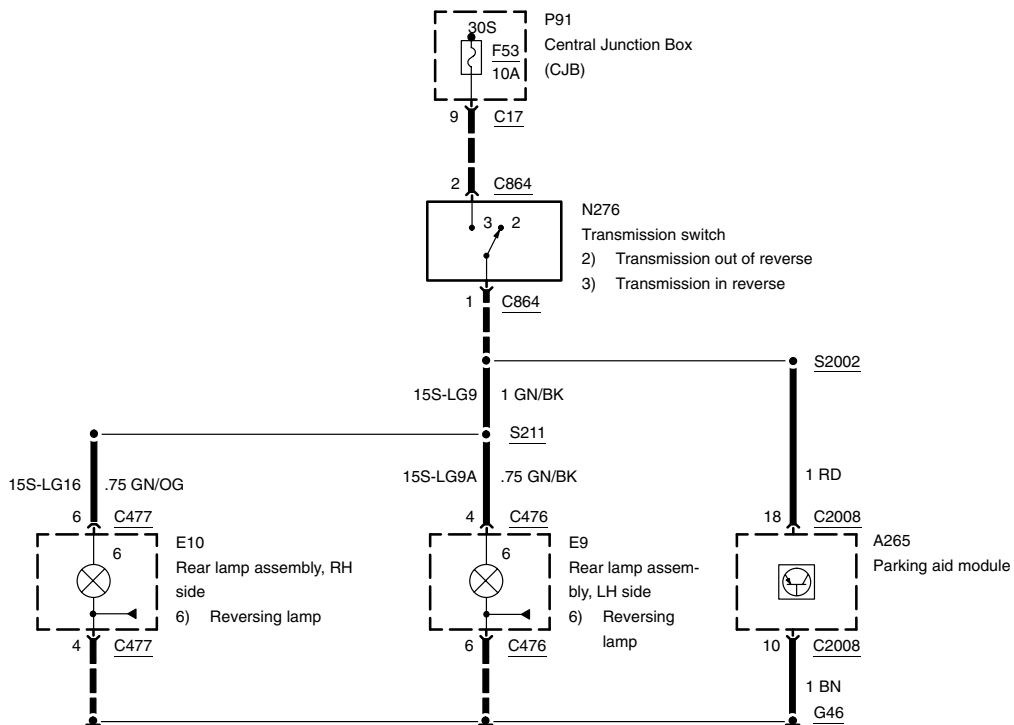
manual transmission, 3-door model/5-door model, LHD

-1

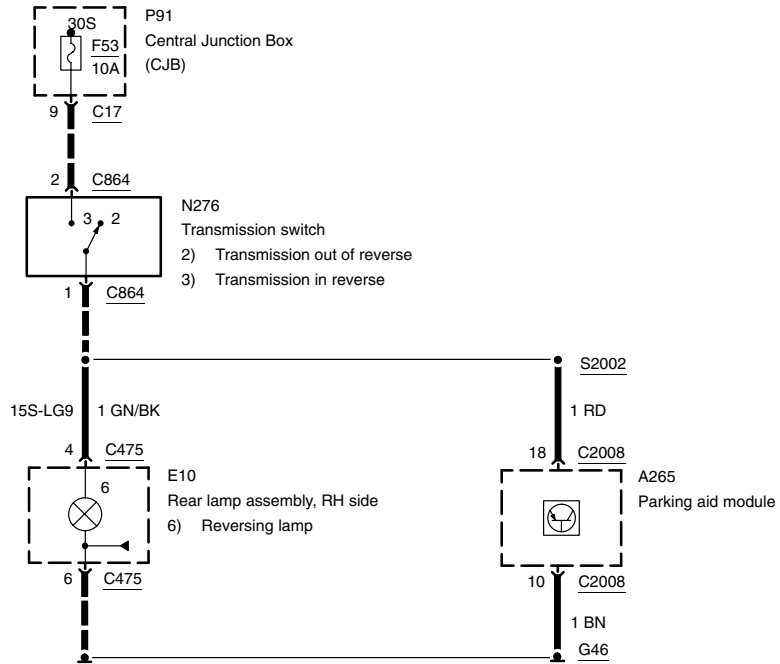


manual transmission, 4-door model, LHD

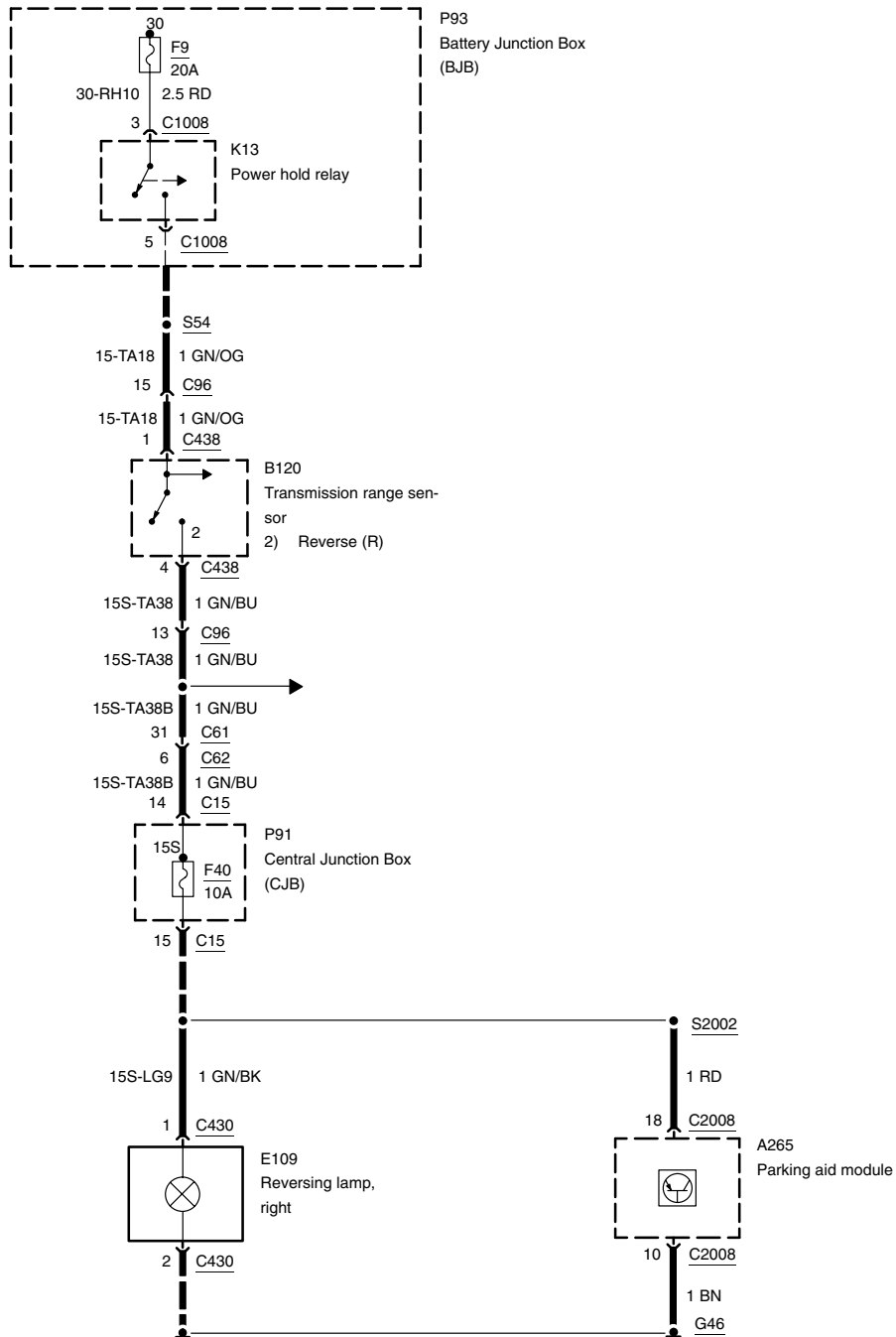
-2



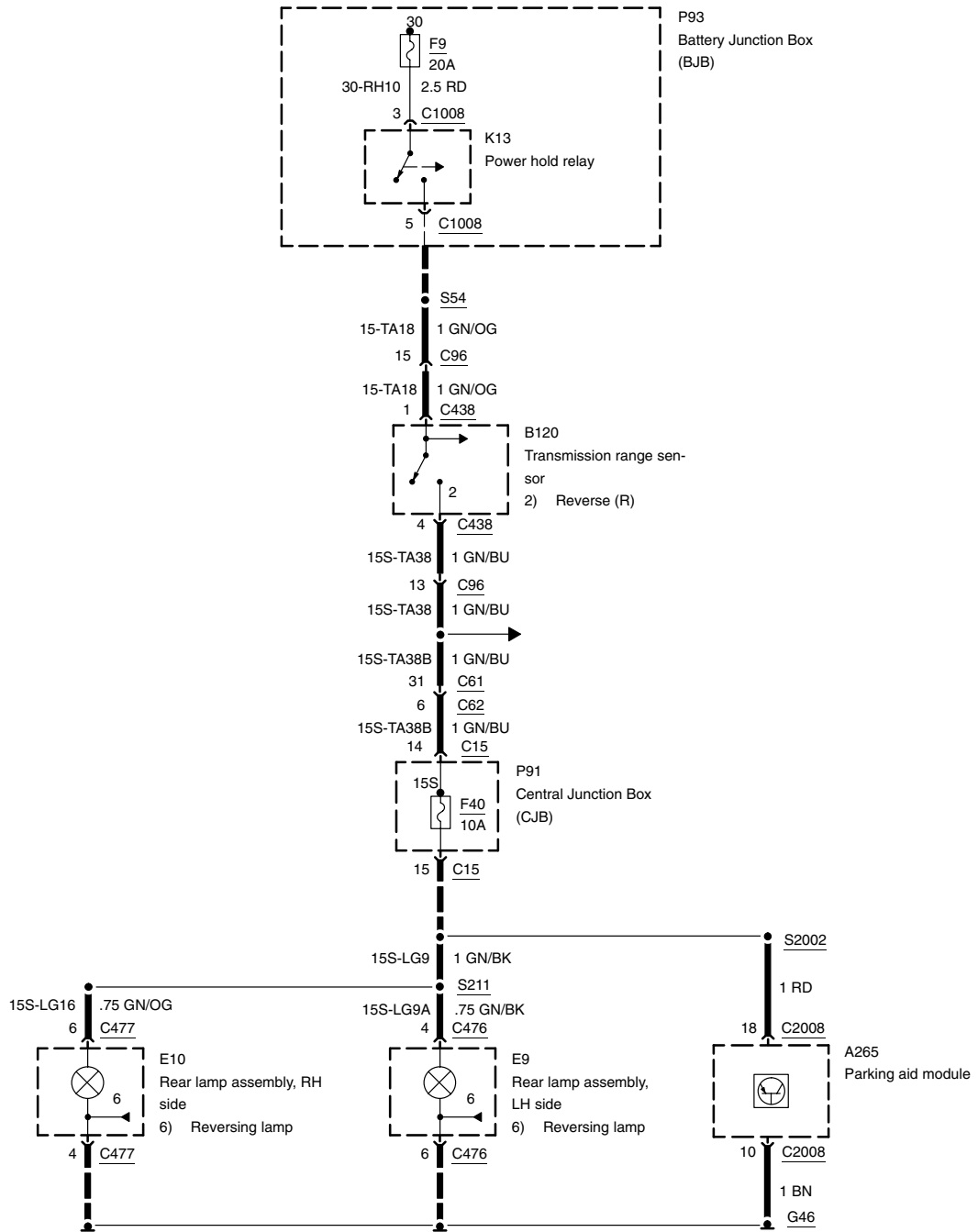
manual transmission, wagon, LHD



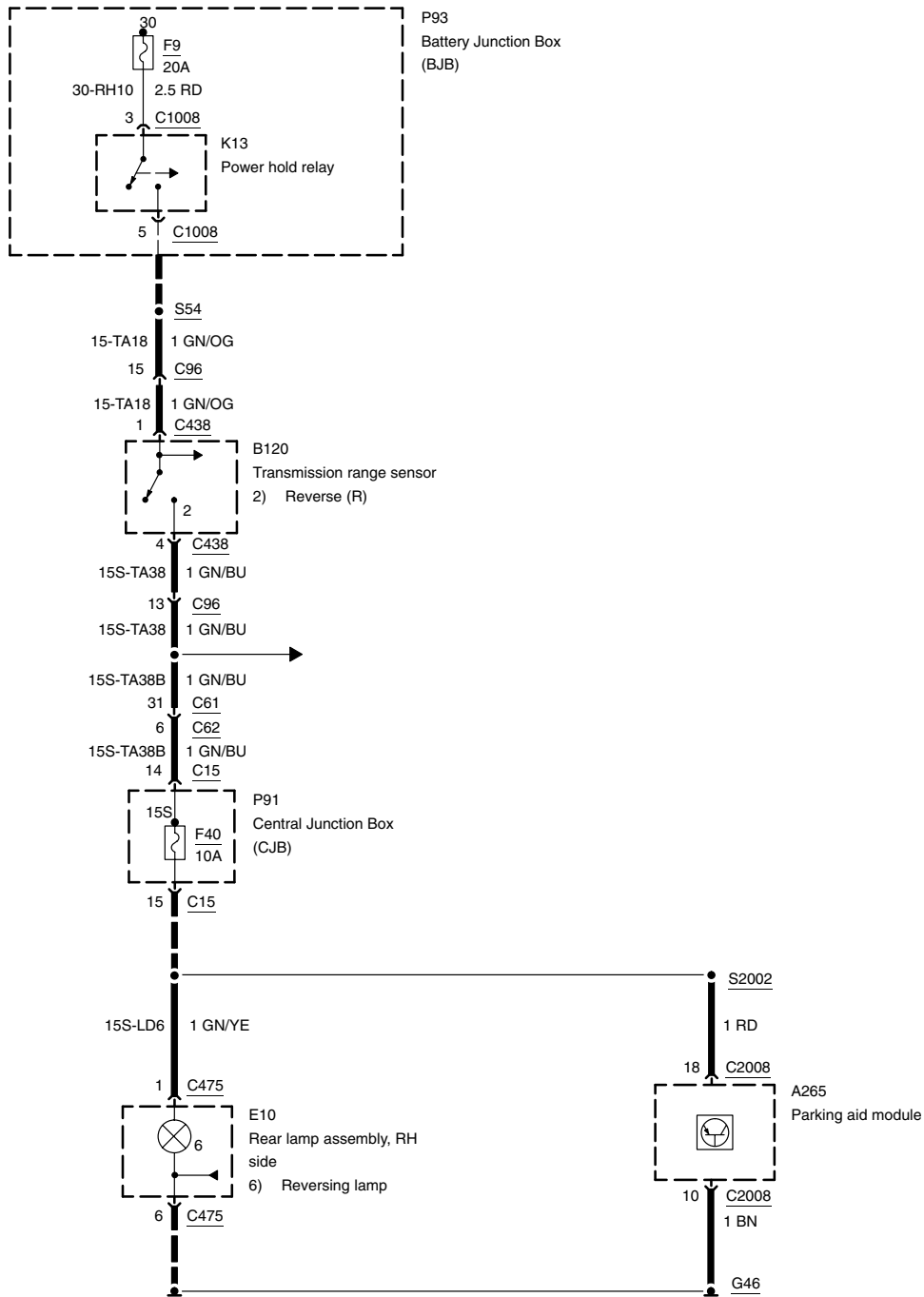
automatic transmission, 3-door model/5-door model, LHD



automatic transmission, 4-door model, LHD

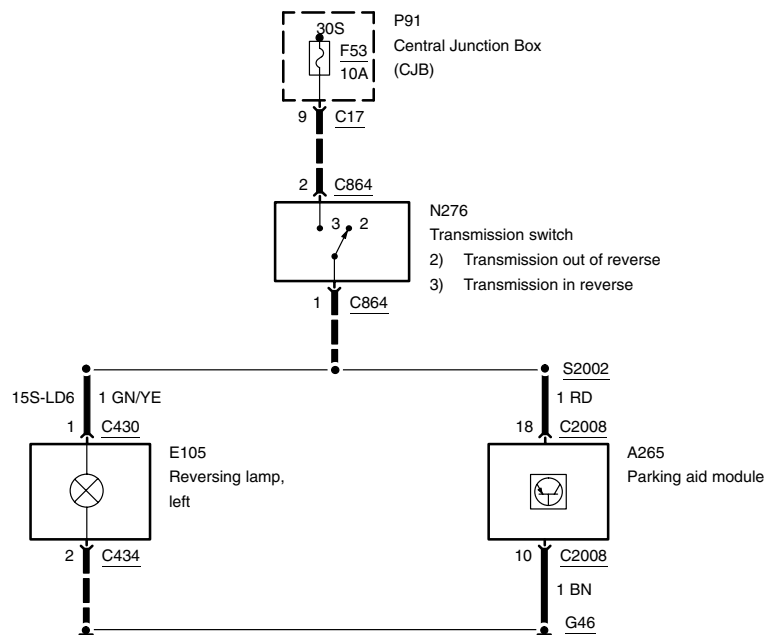


automatic transmission, wagon, LHD



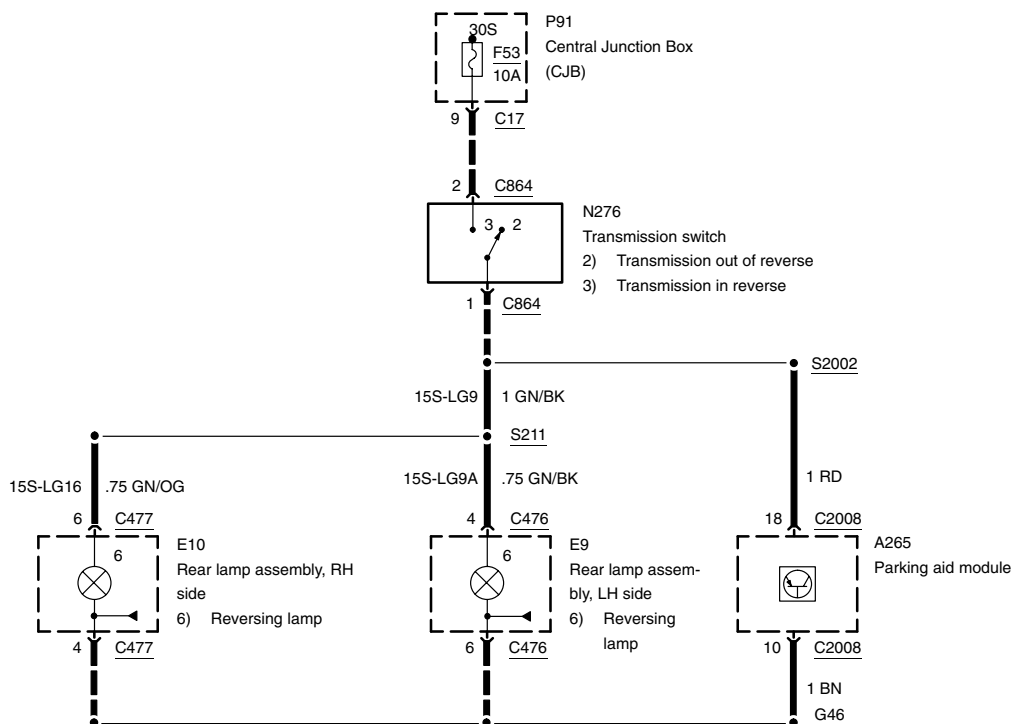
manual transmission, 3-door model/5-door model, RHD

-7

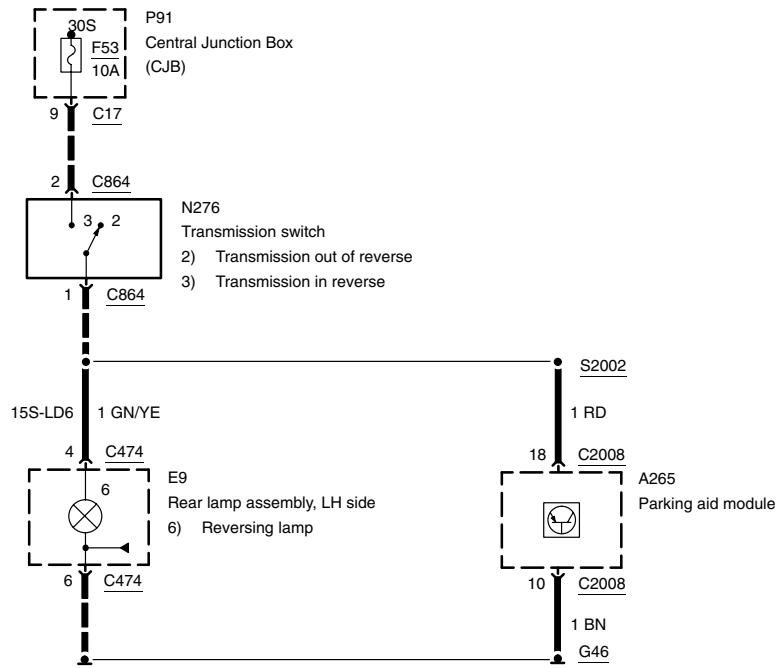


manual transmission, 4-door model, RHD

-8

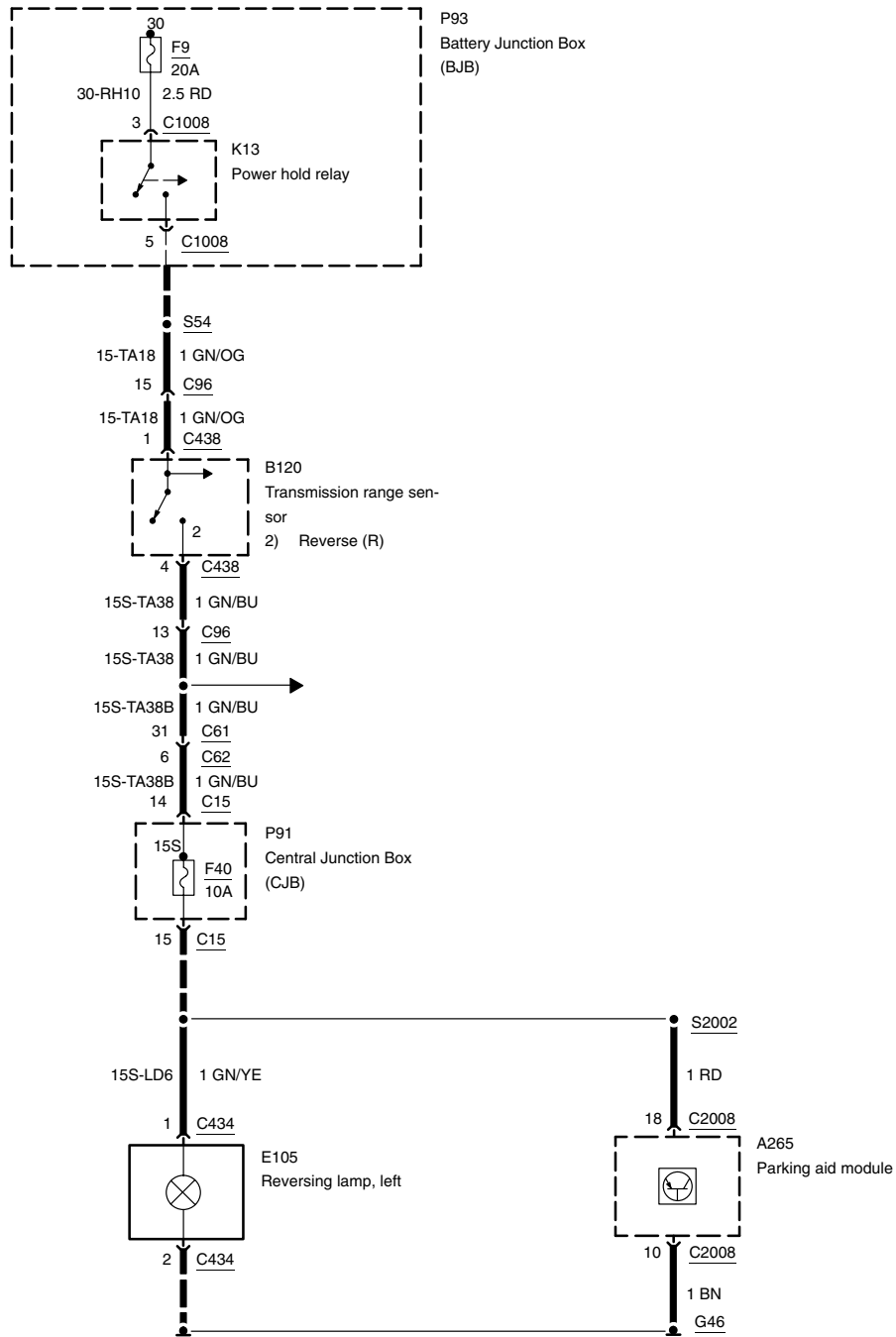


manual transmission, wagon, RHD

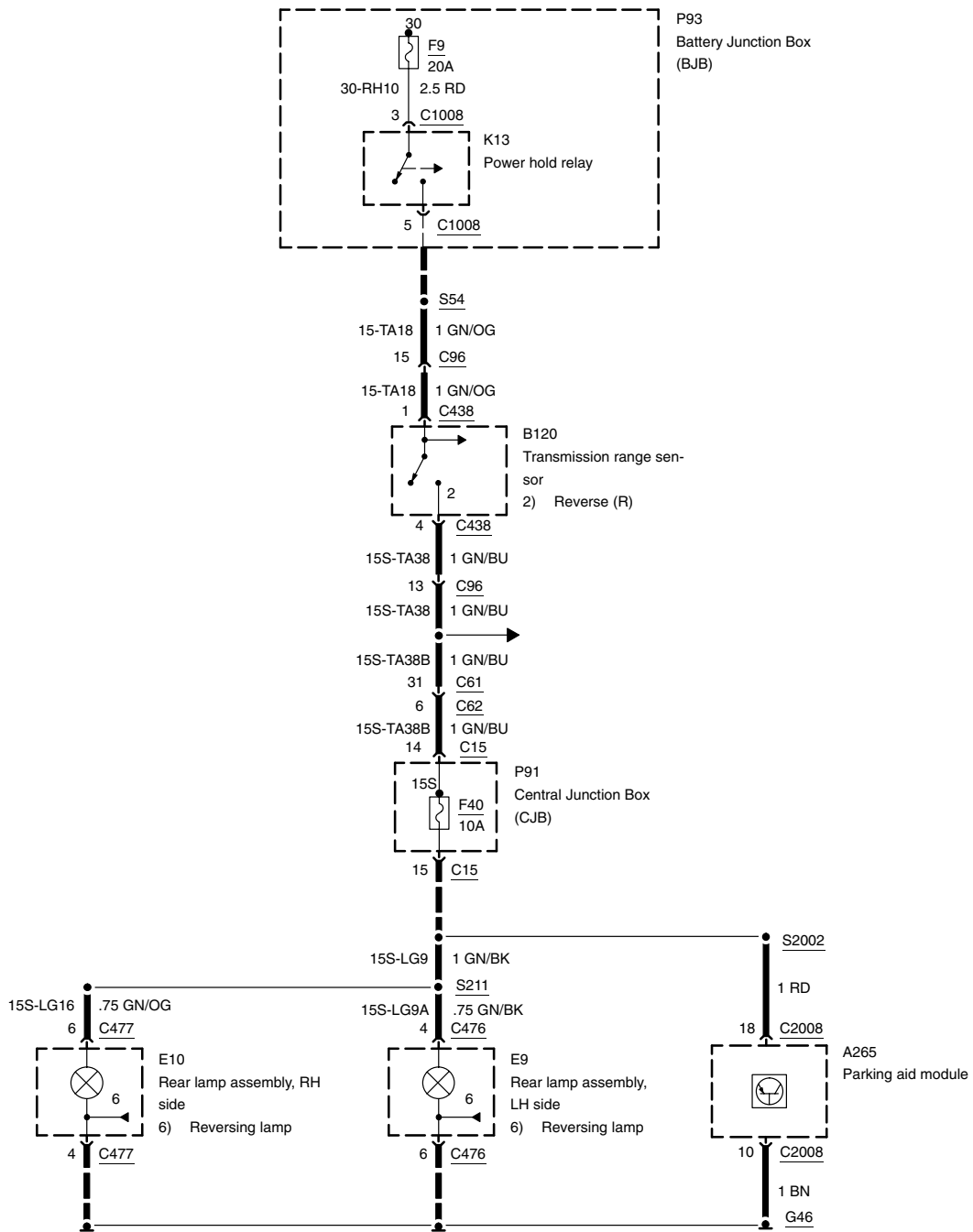




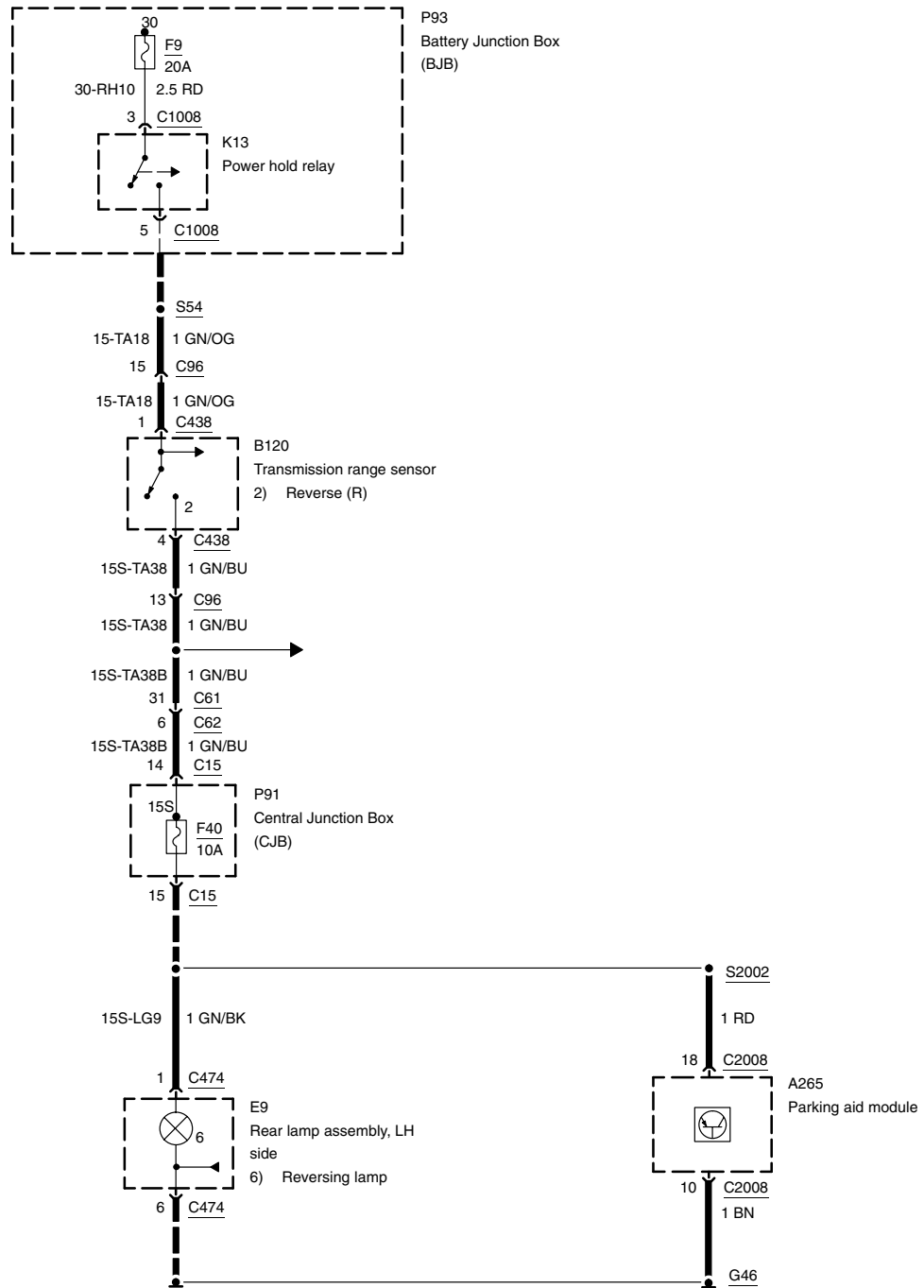
automatic transmission, 3-door model/5-door model, RHD

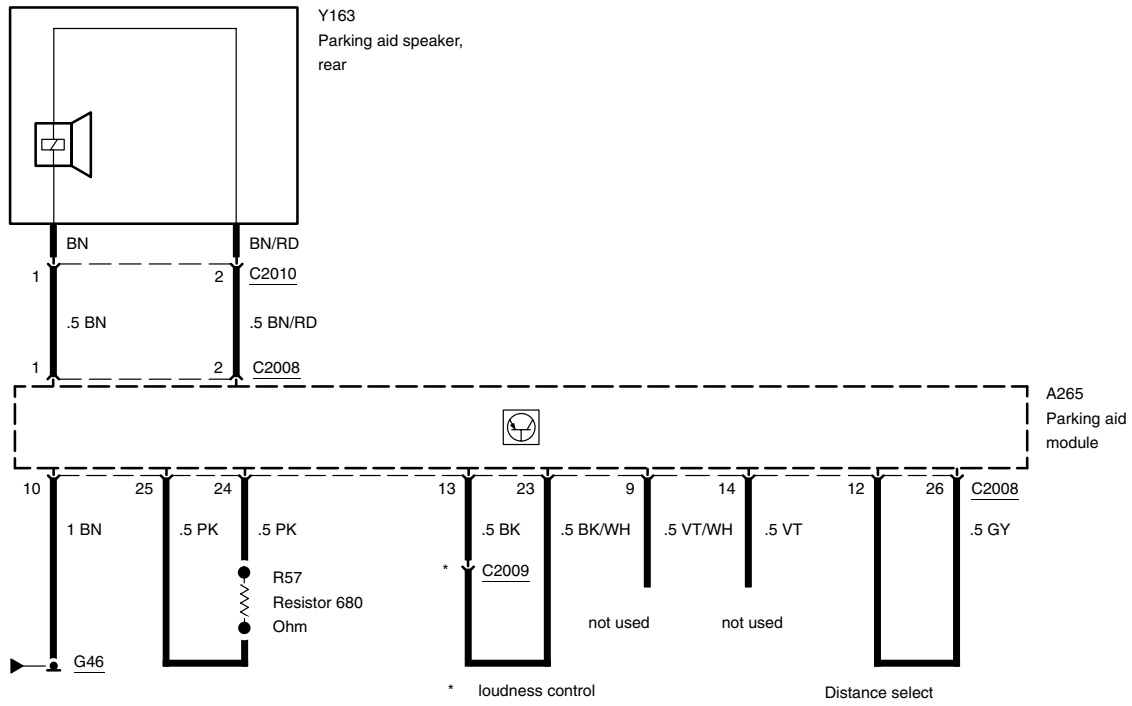


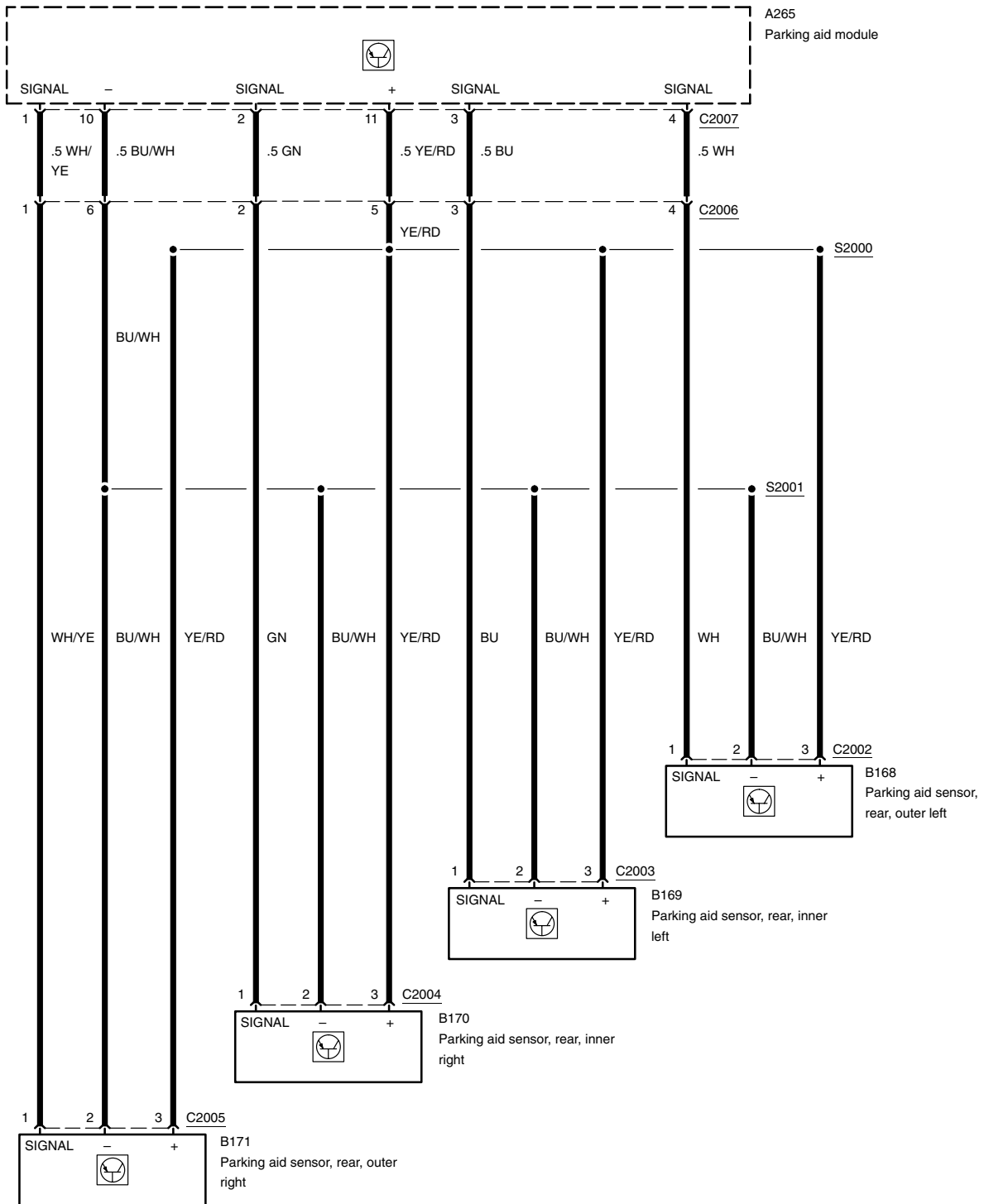
automatic transmission, 4-door model, RHD



automatic transmission, wagon, RHD

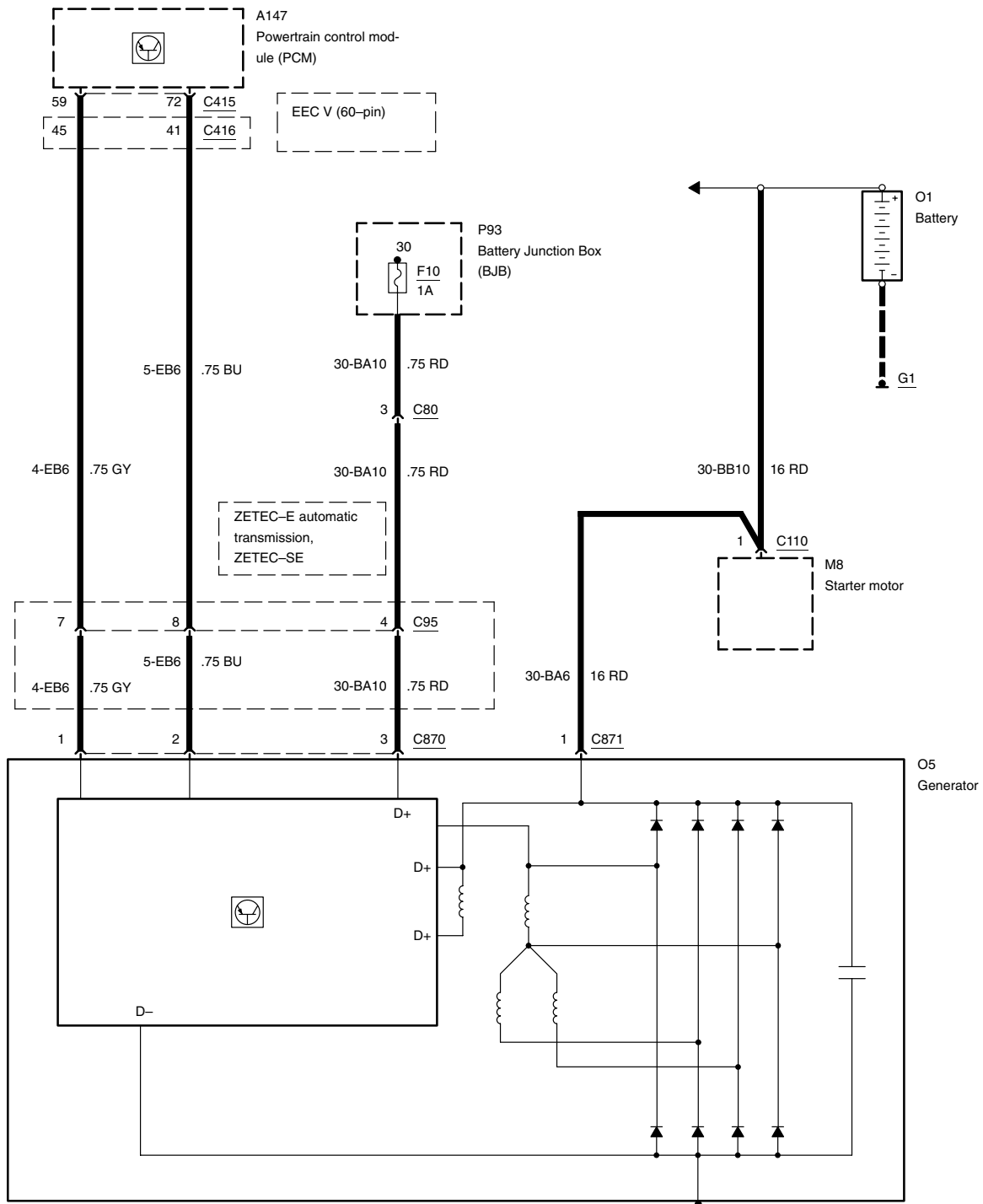




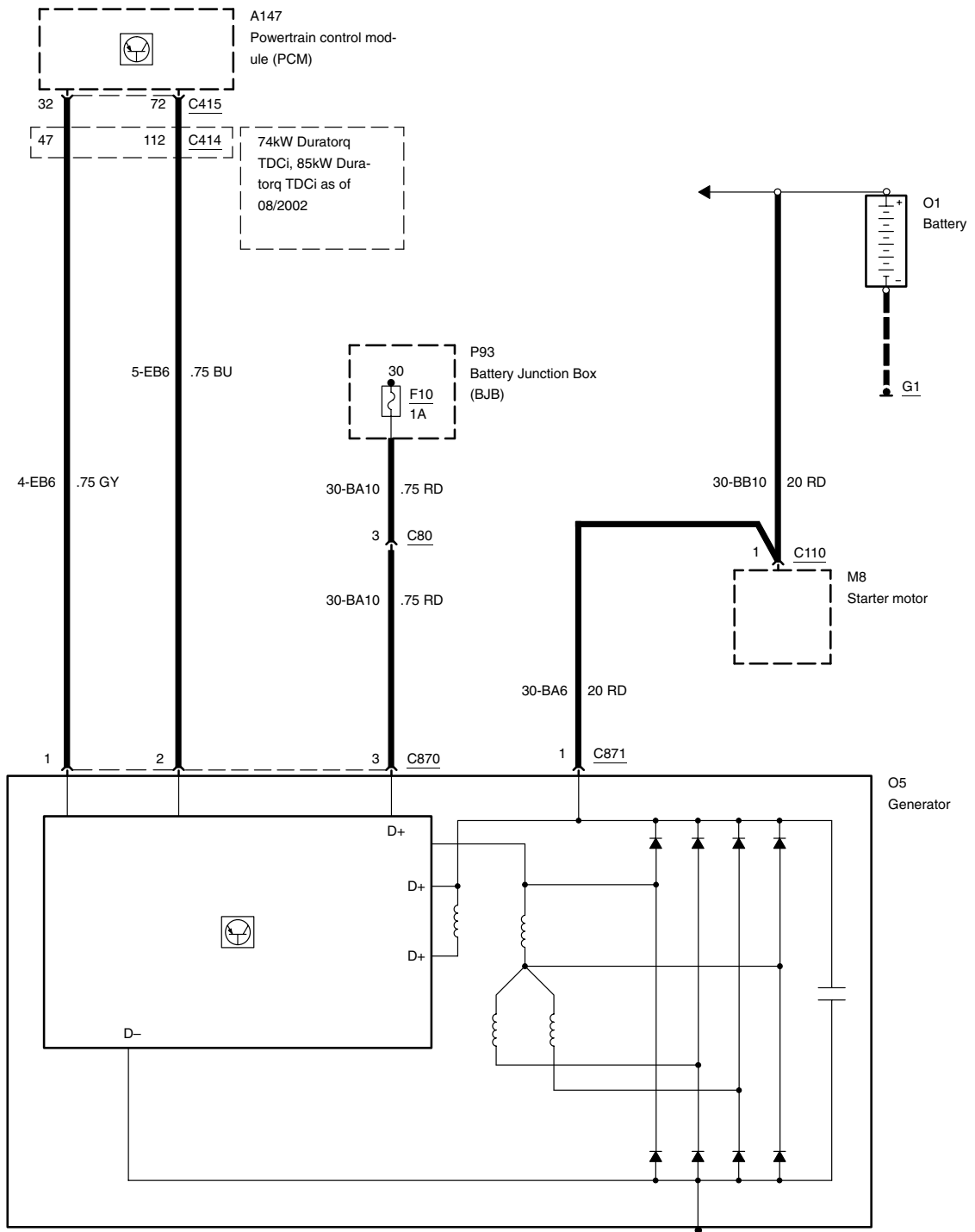


ZETEC engines

-1

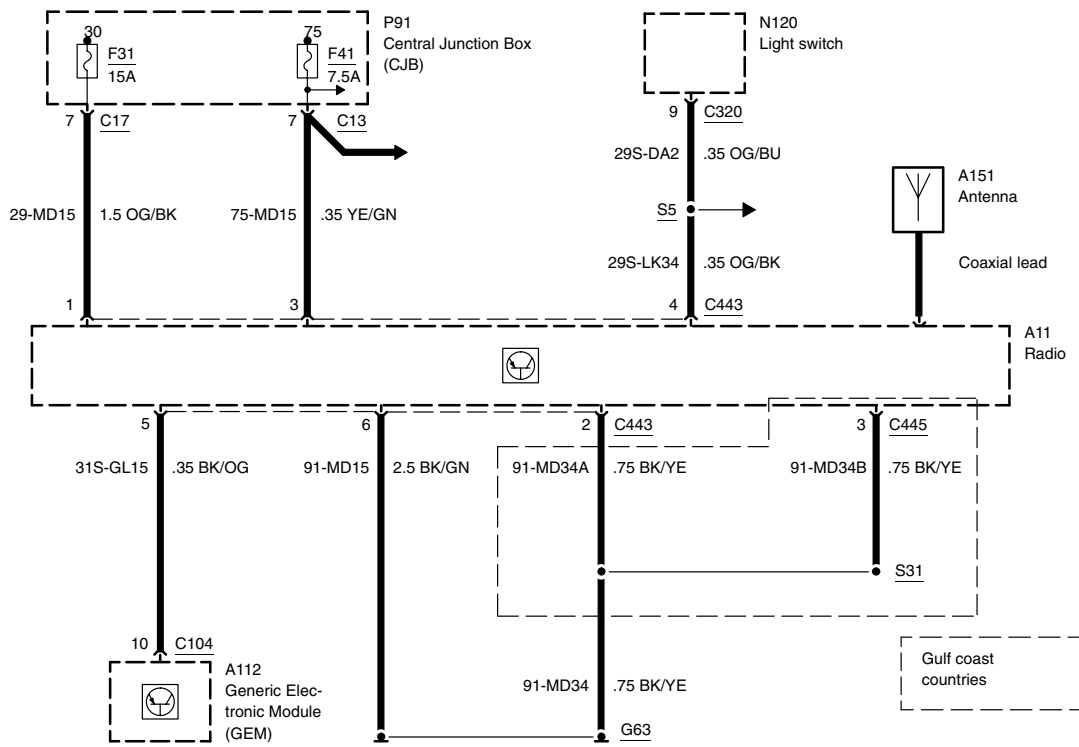


Diesel engines



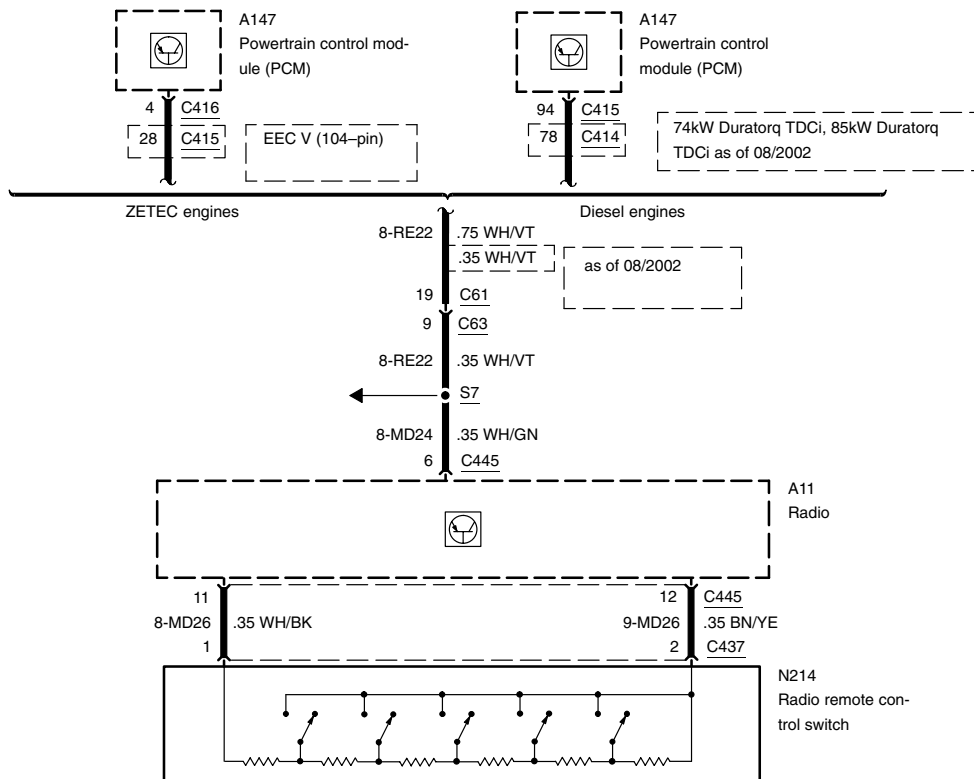
with radio, with radio and subwoofer

-1



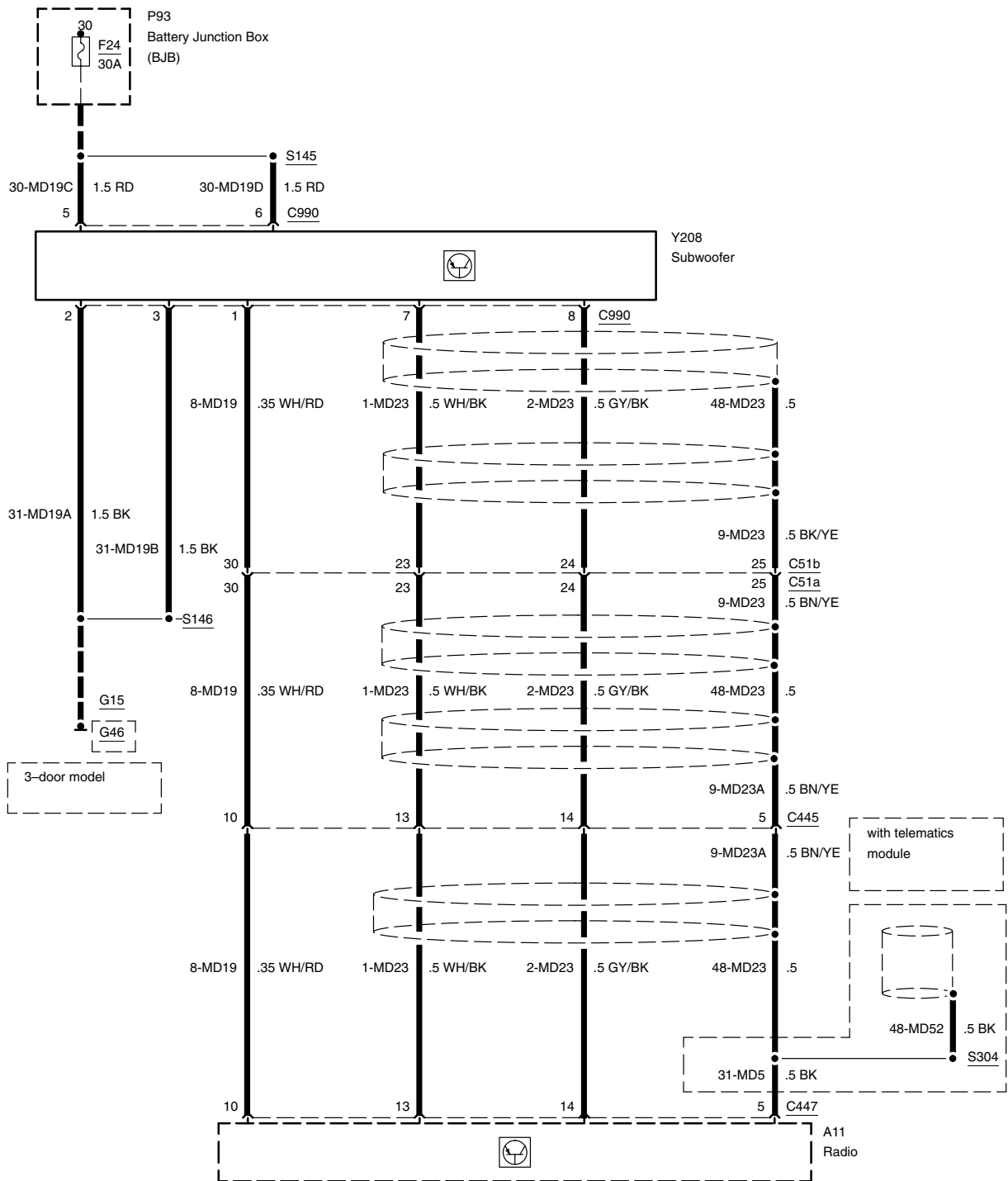
with radio, with radio and subwoofer

-2



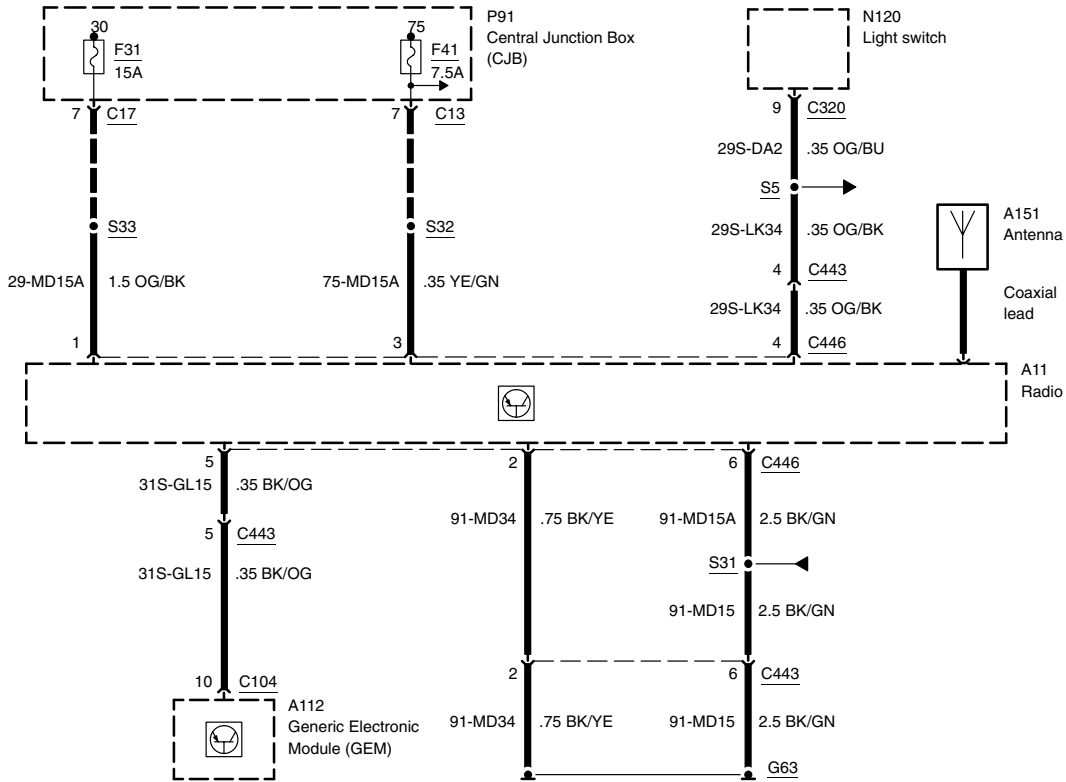


with radio and subwoofer

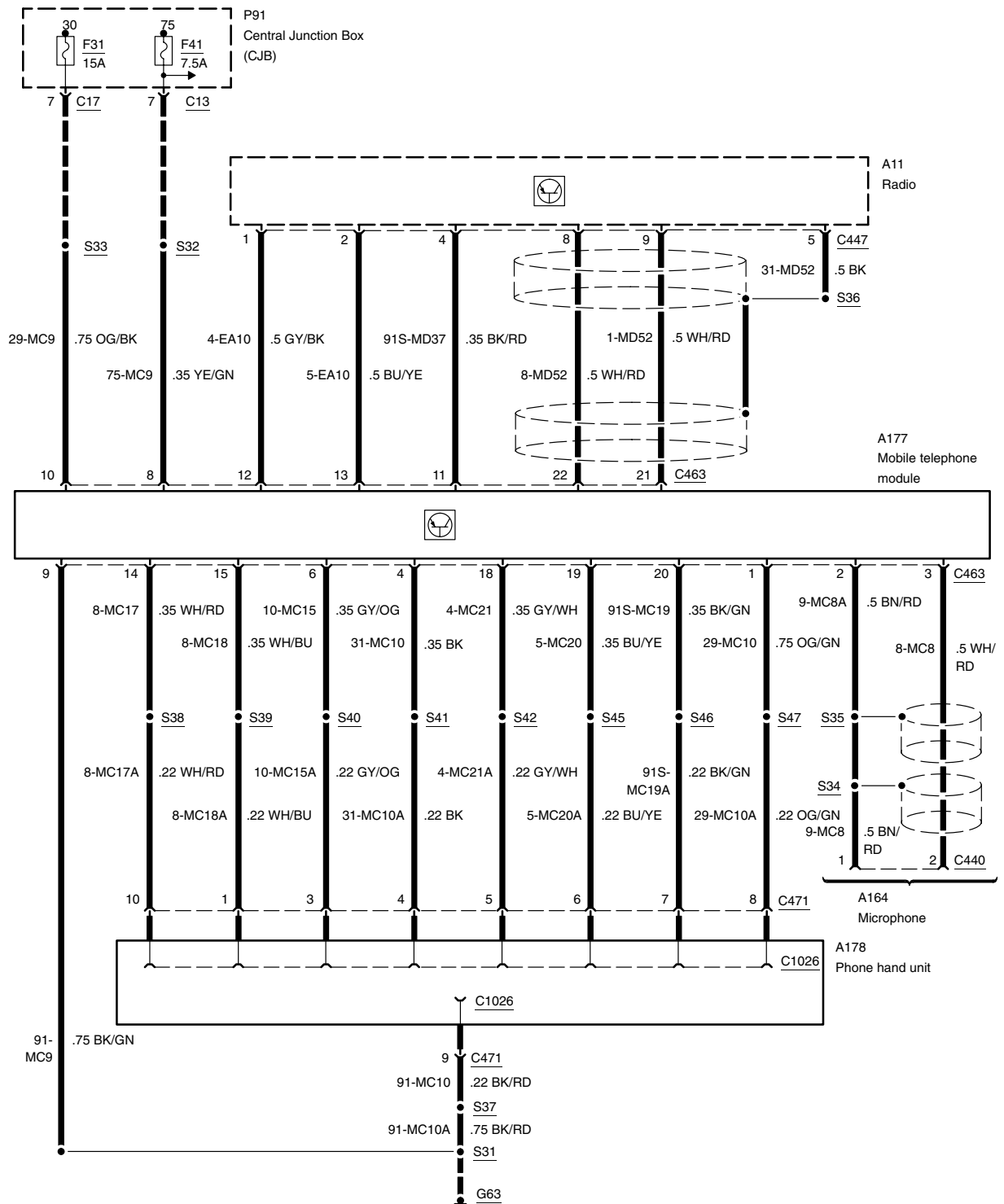


with mobile telephone

-4

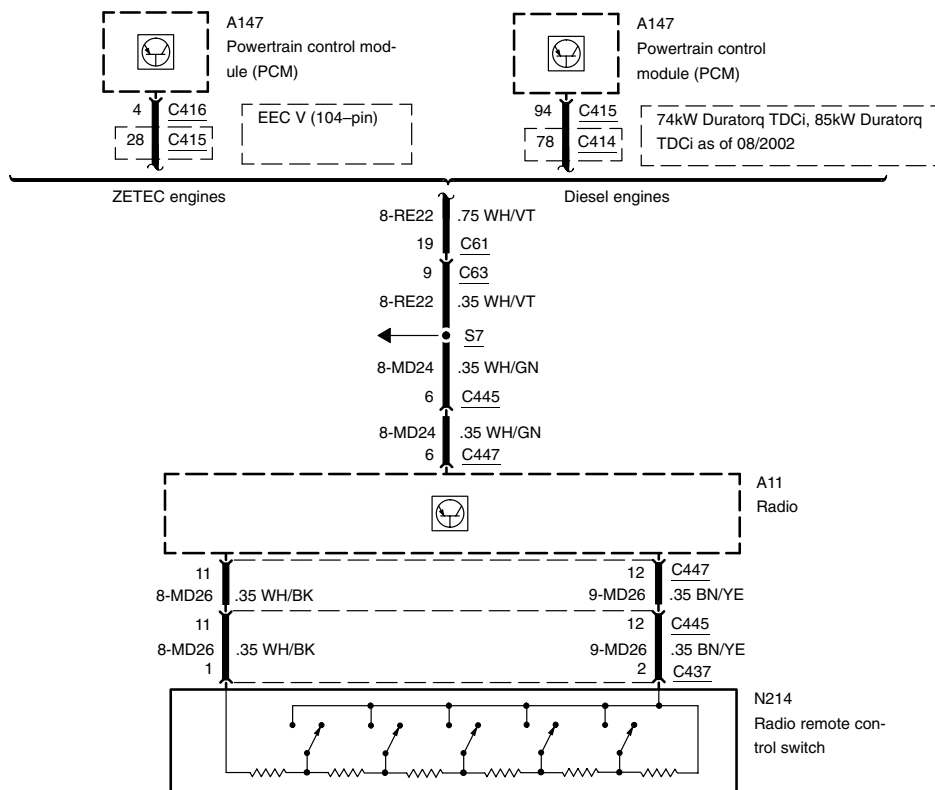


with mobile telephone



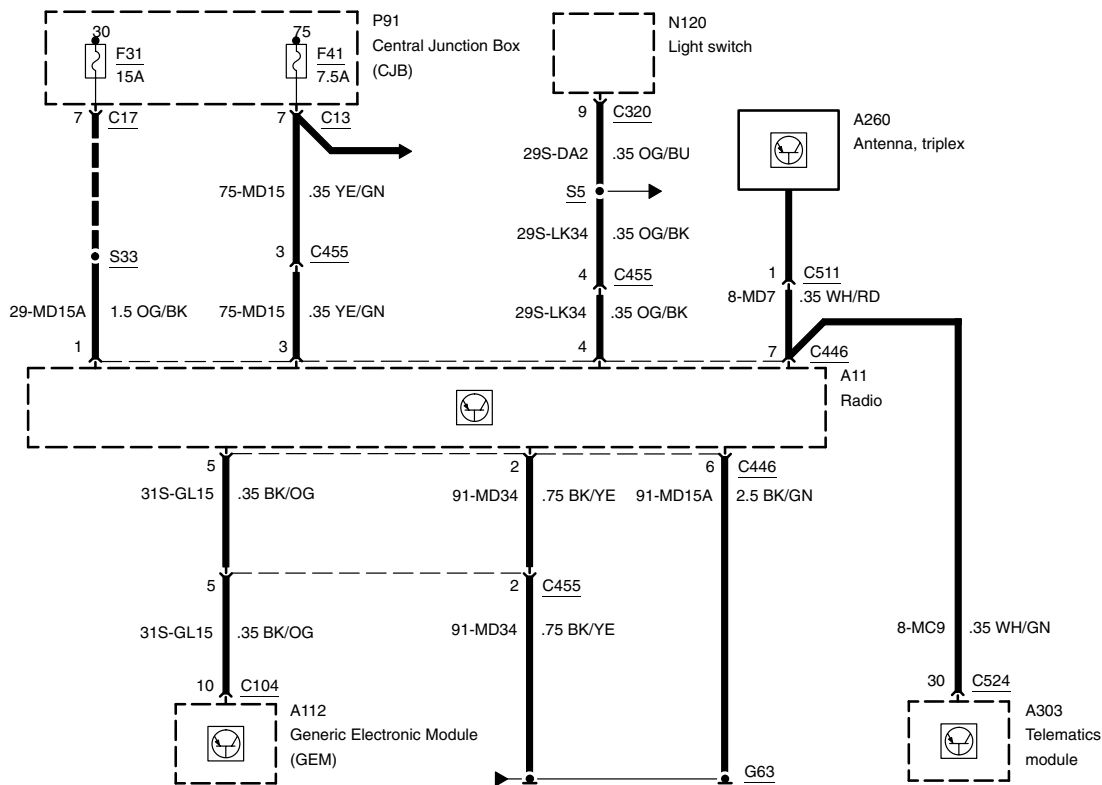
with mobile telephone

-6

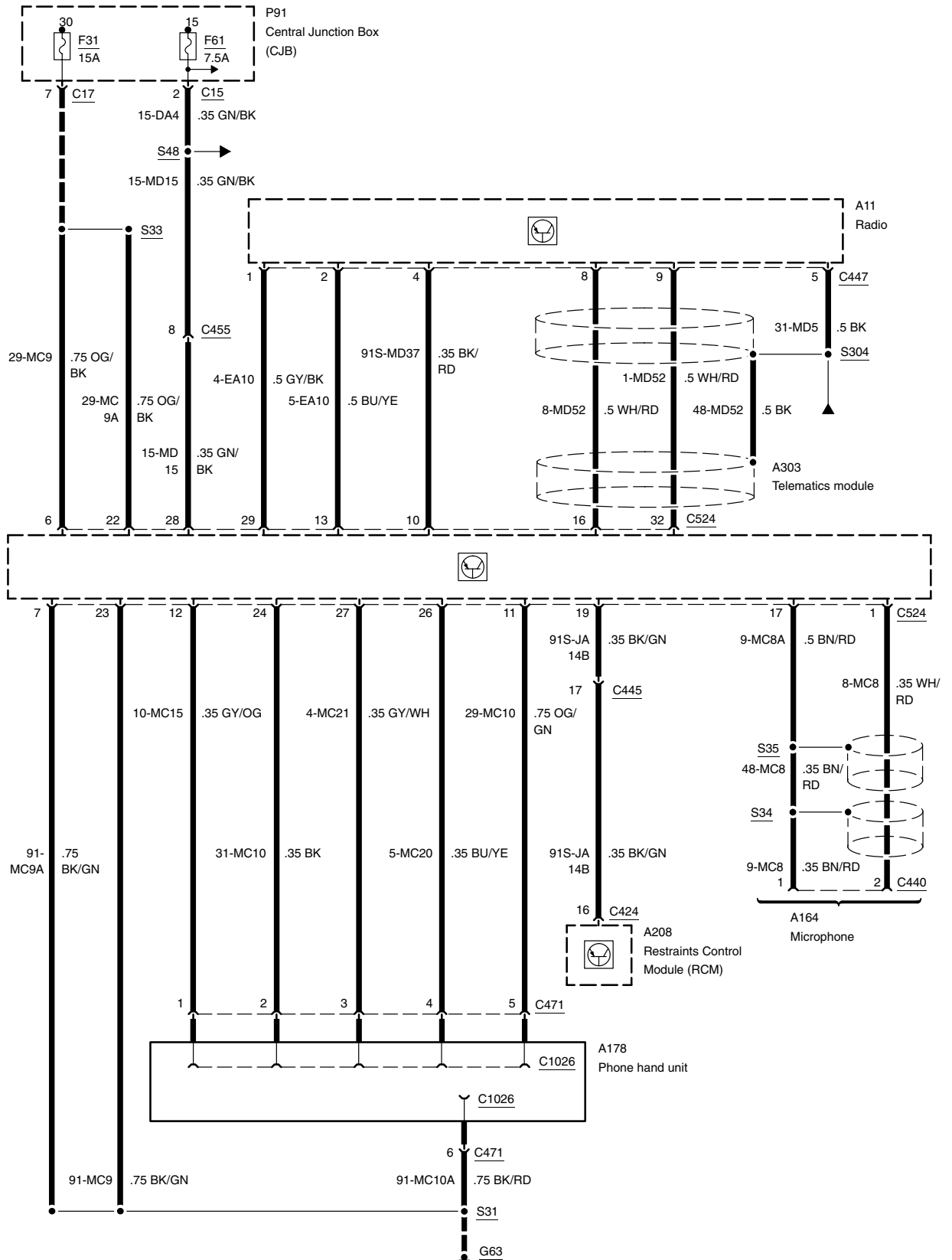


with telematics module

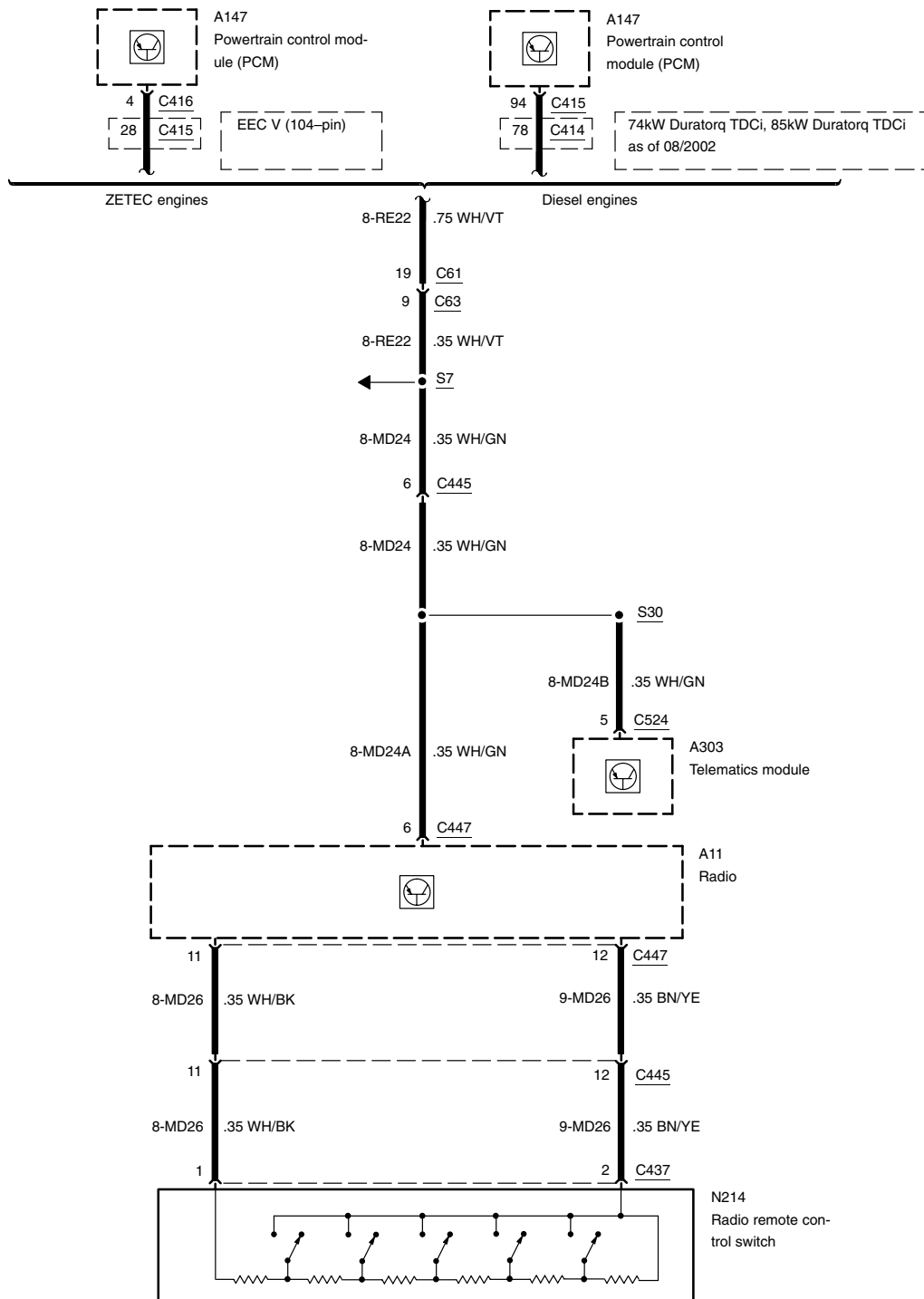
-7



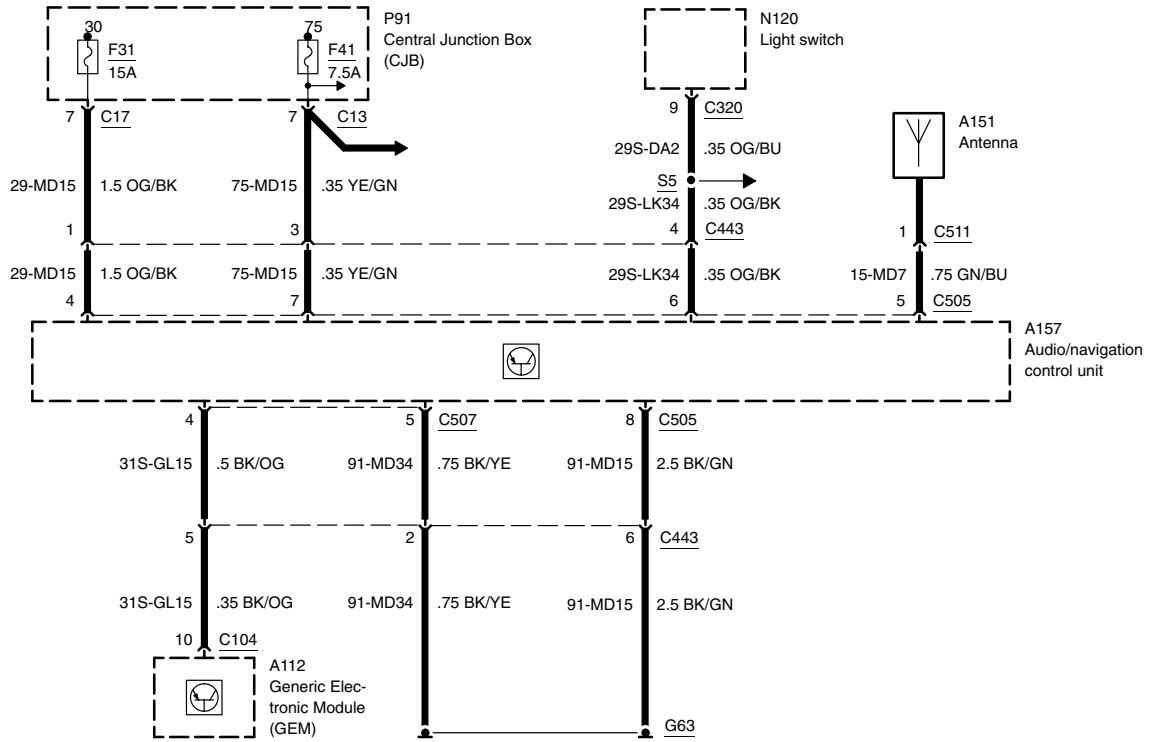
with telematics module



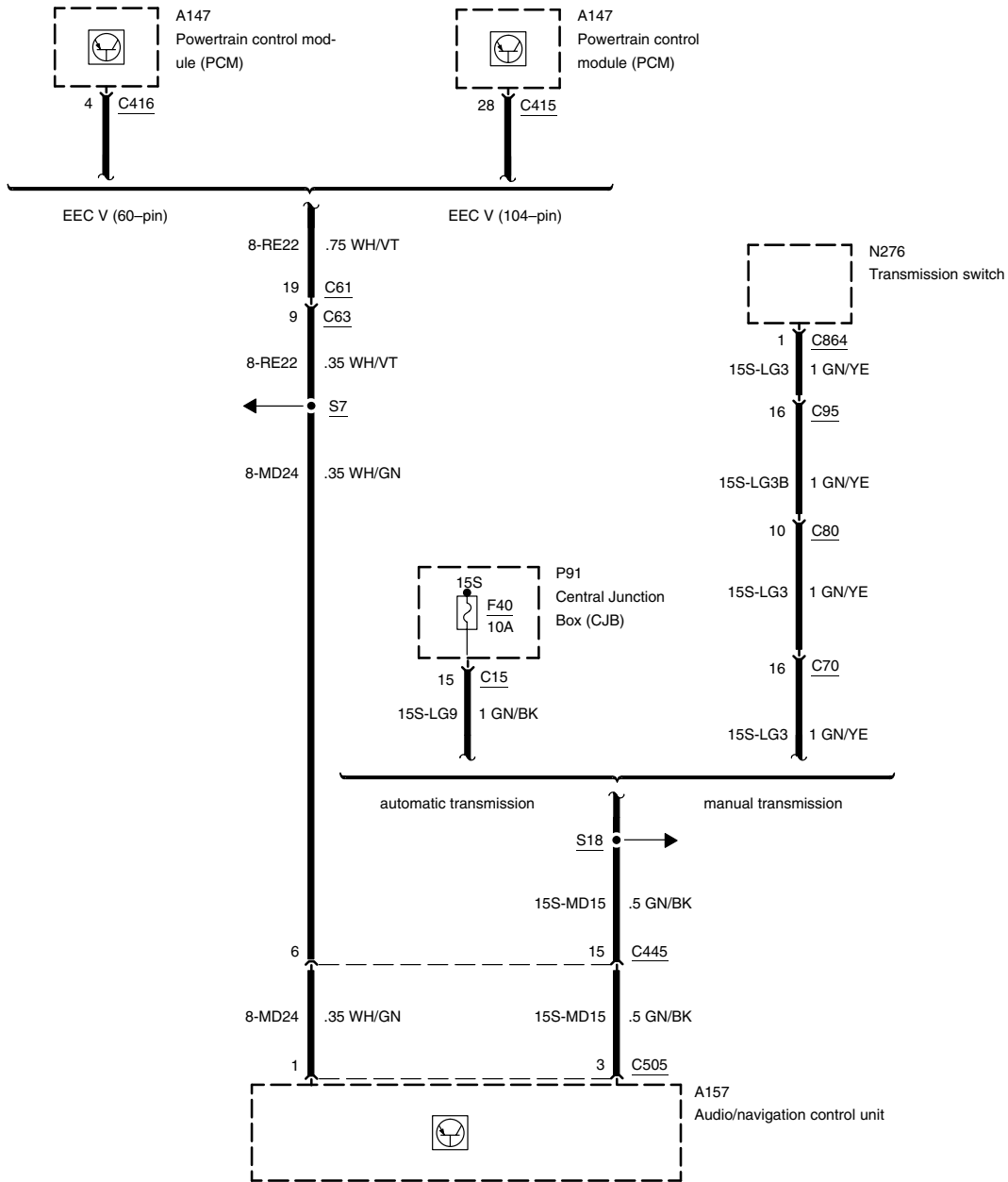
with telematics module



with Traffic Pro

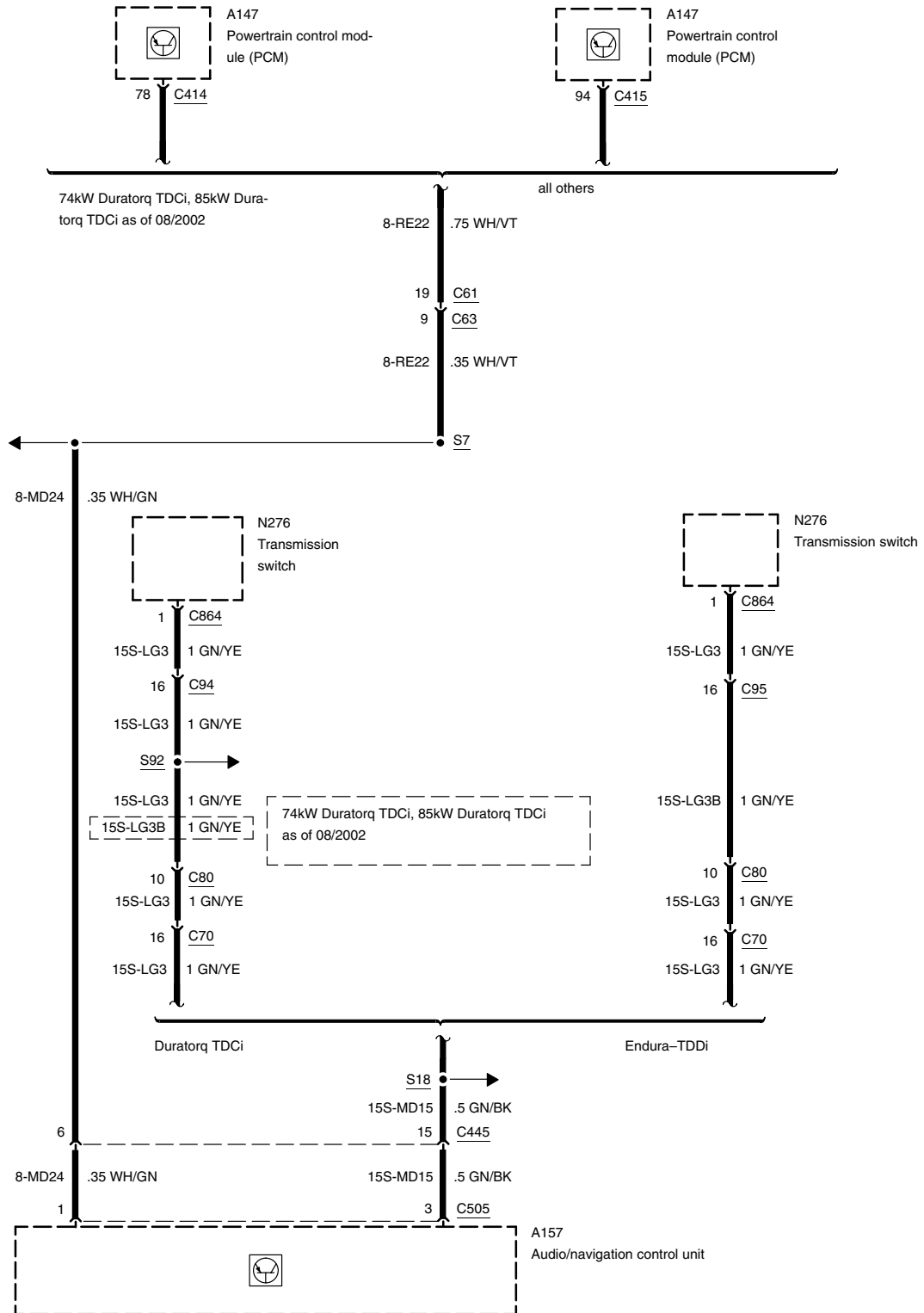


with Traffic Pro, petrol engines

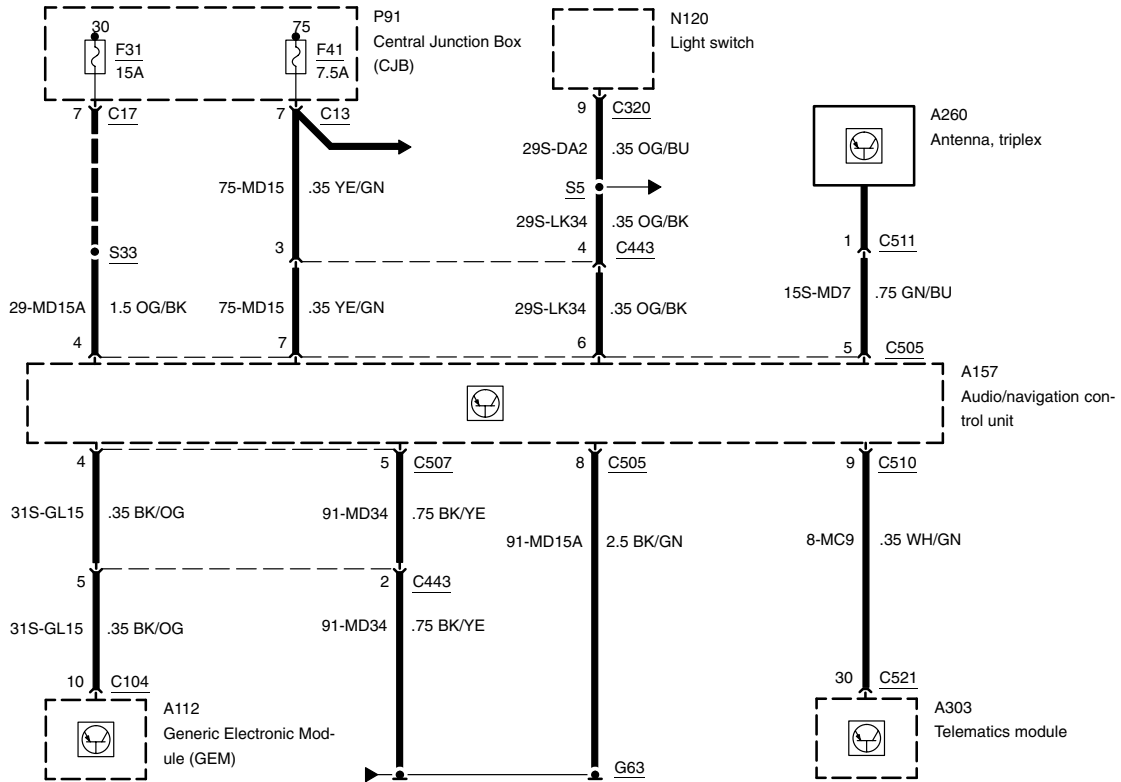




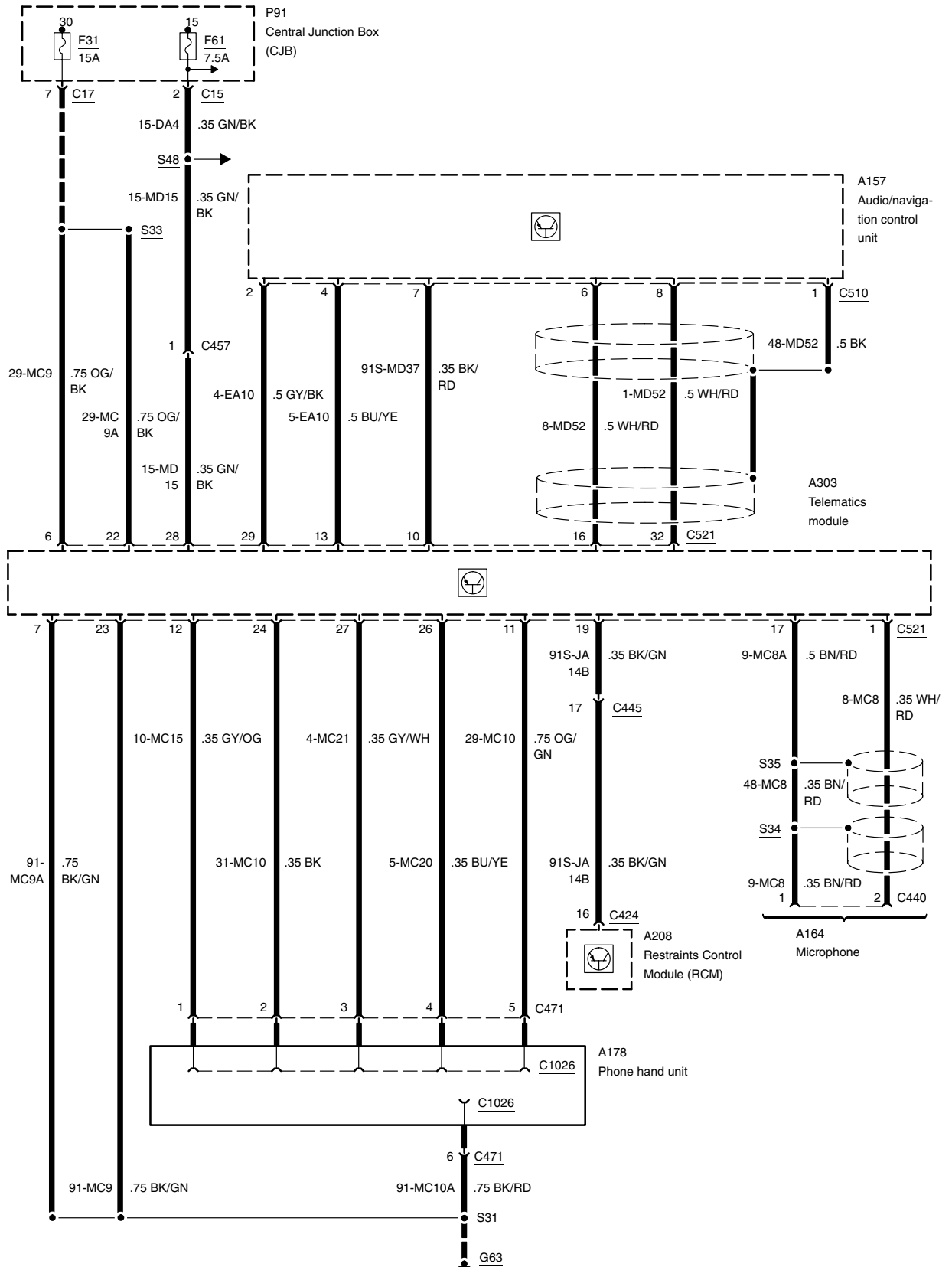
with Traffic Pro, Diesel engines



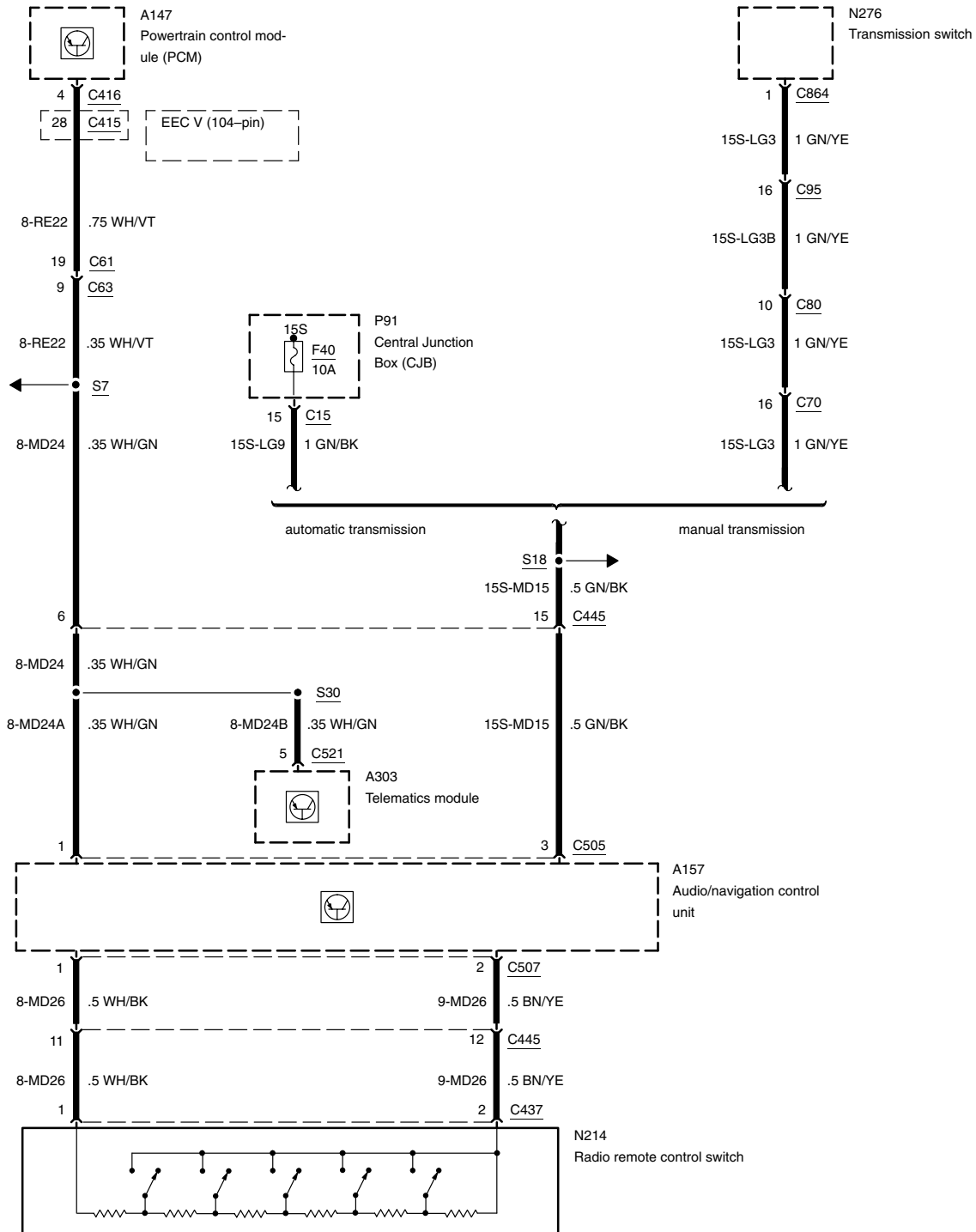
with Travel Pilot



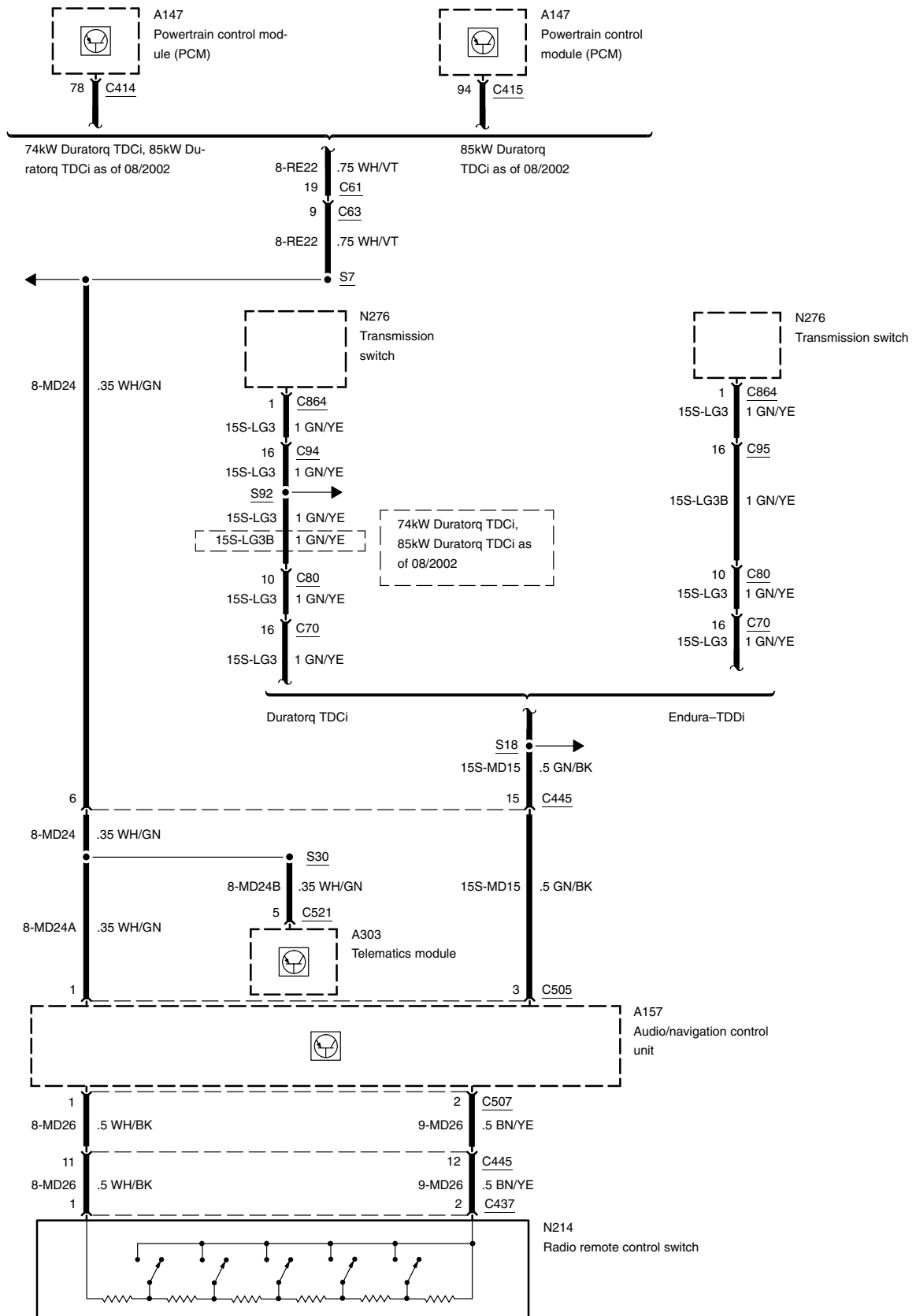
with Travel Pilot



with Travel Pilot, petrol engines

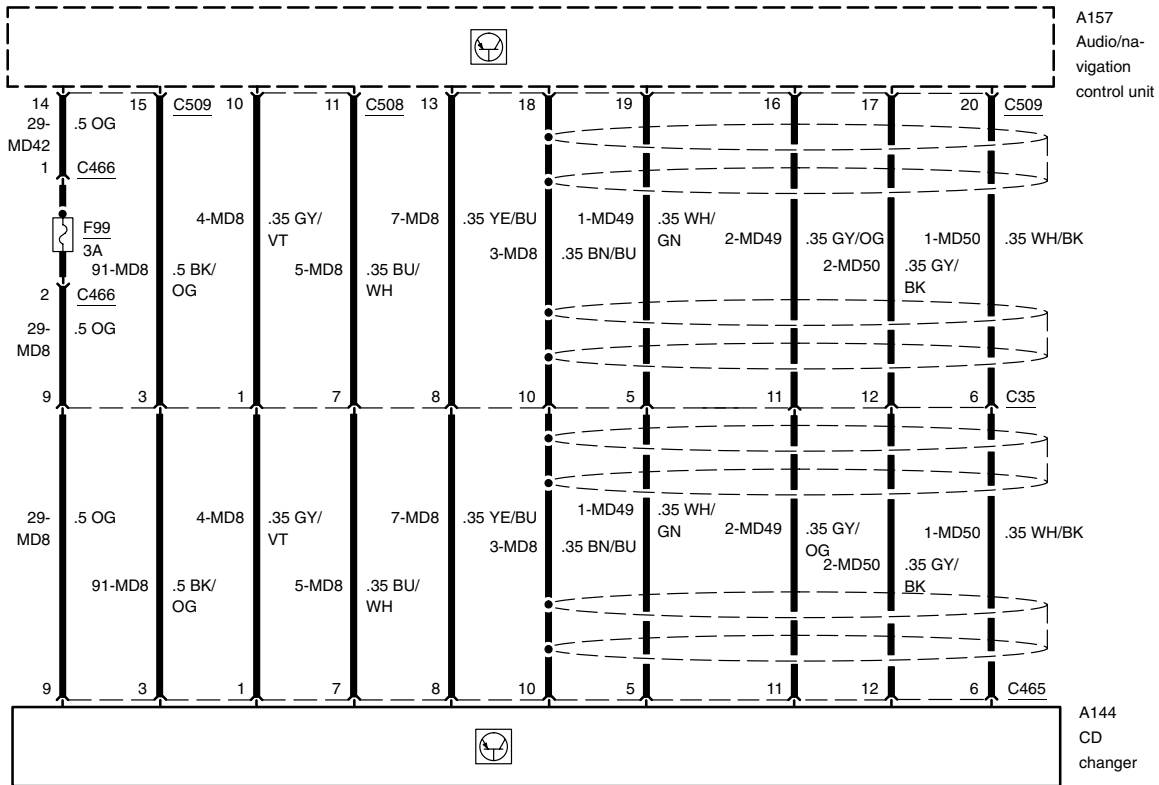


with Travel Pilot, Diesel engines



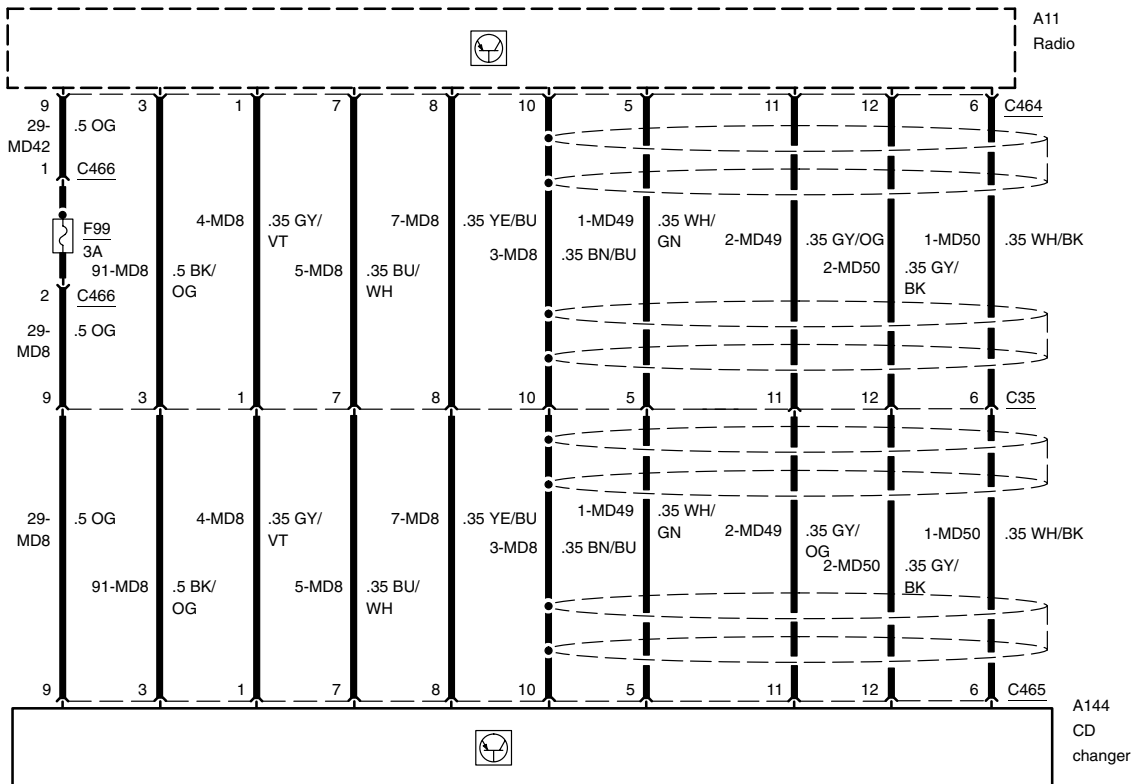
with Travel Pilot

-17



all others

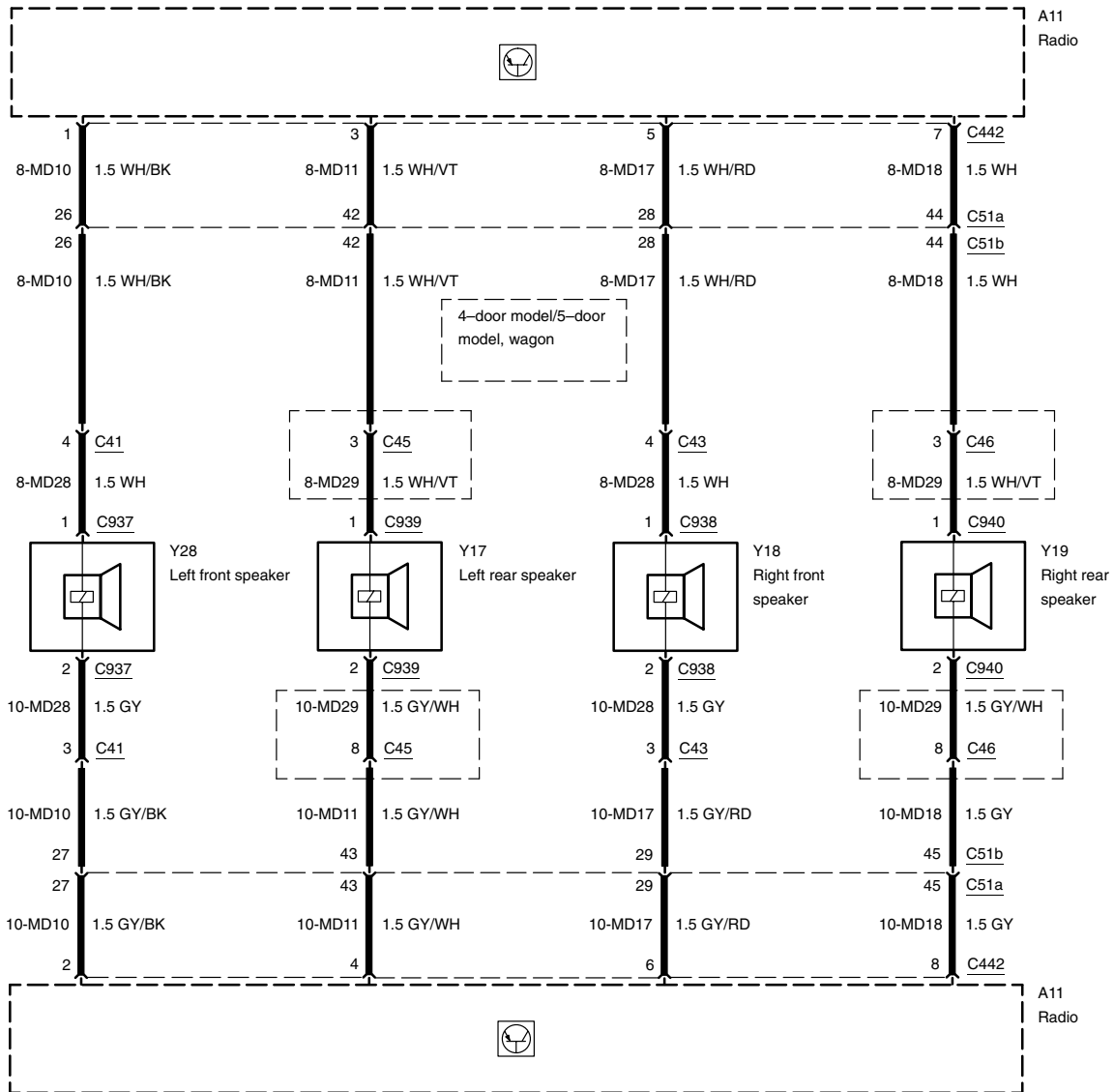
-18





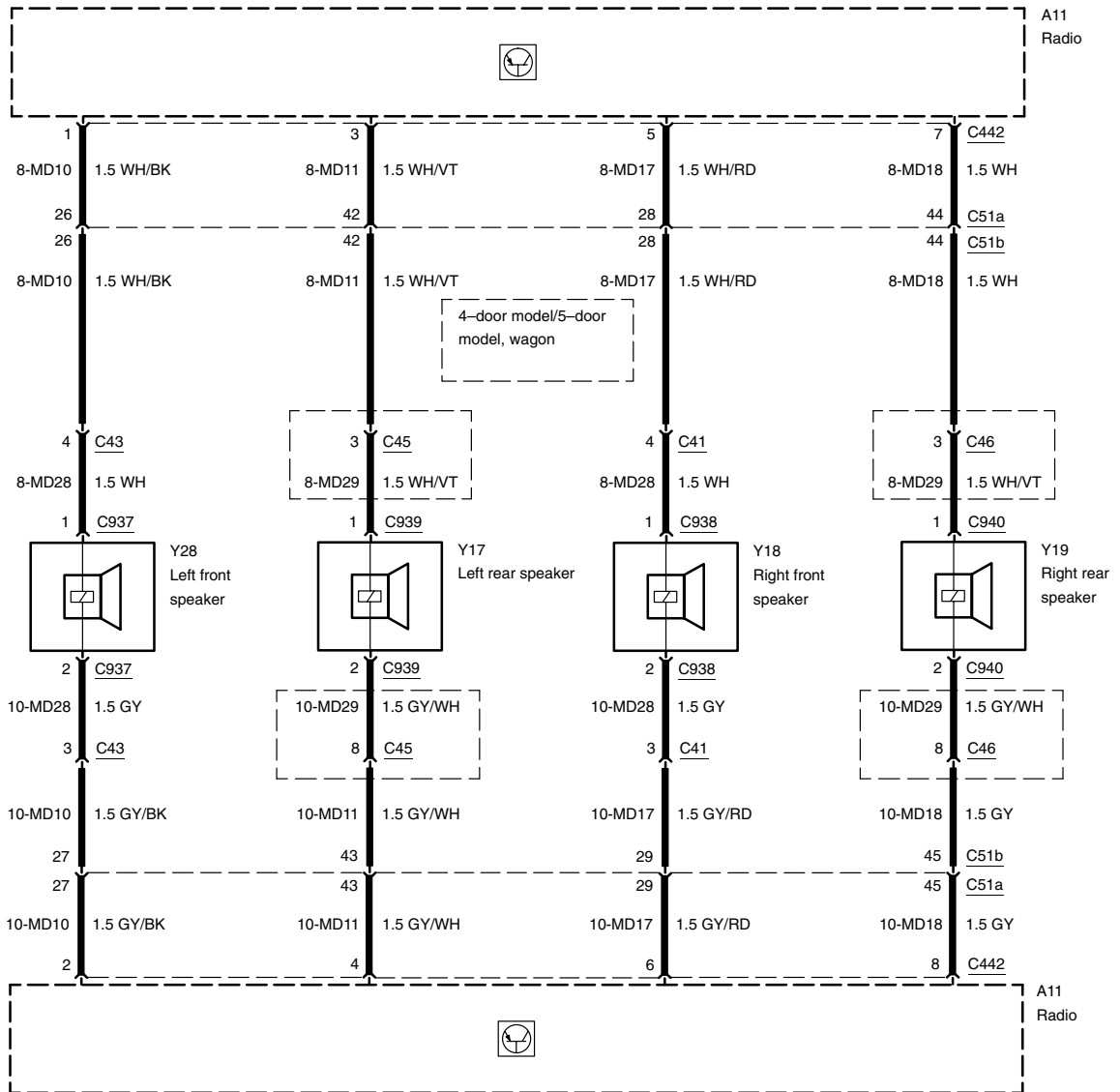
with radio, with radio and subwoofer, LHD

-1

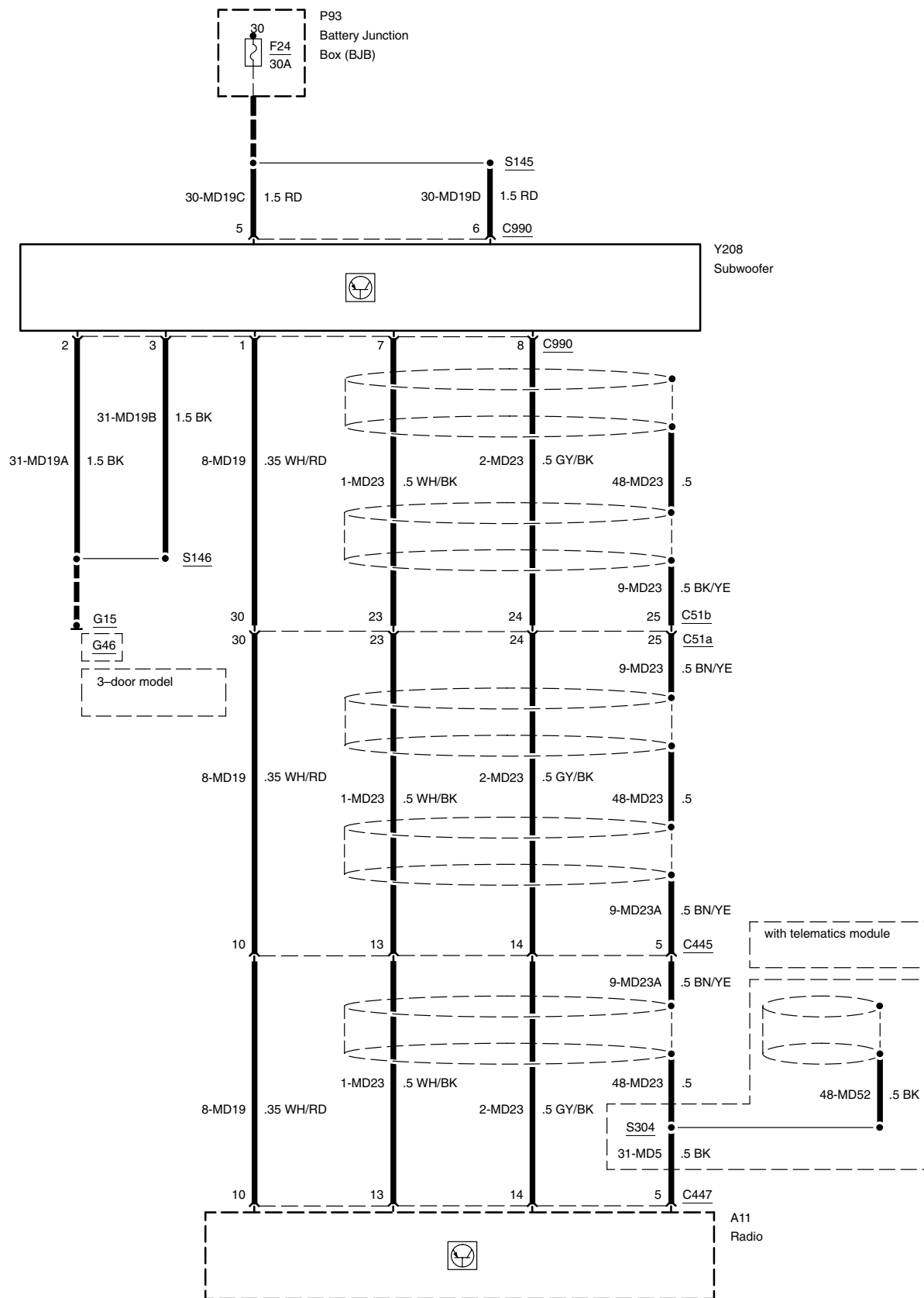




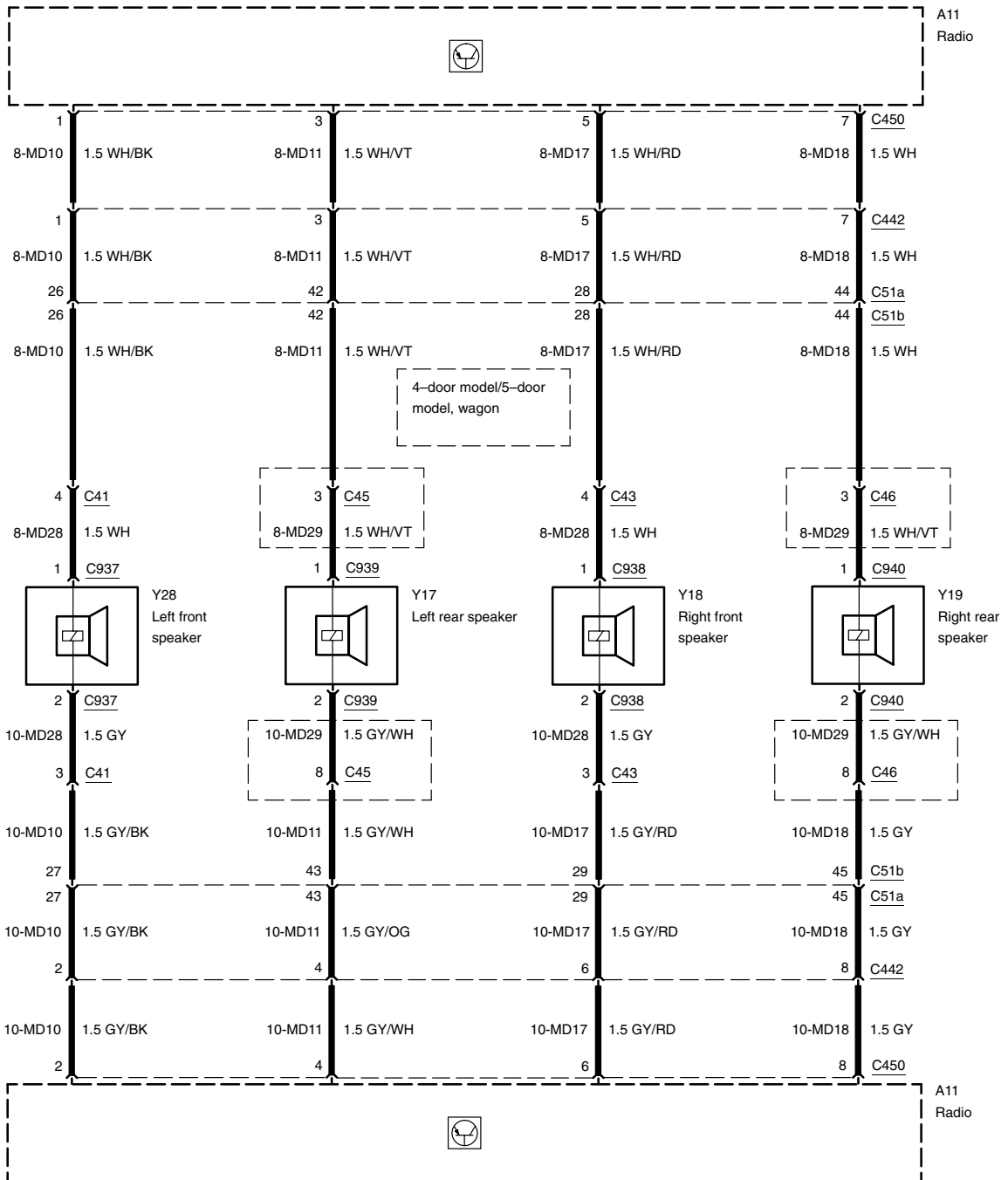
with radio, with radio and subwoofer, RHD



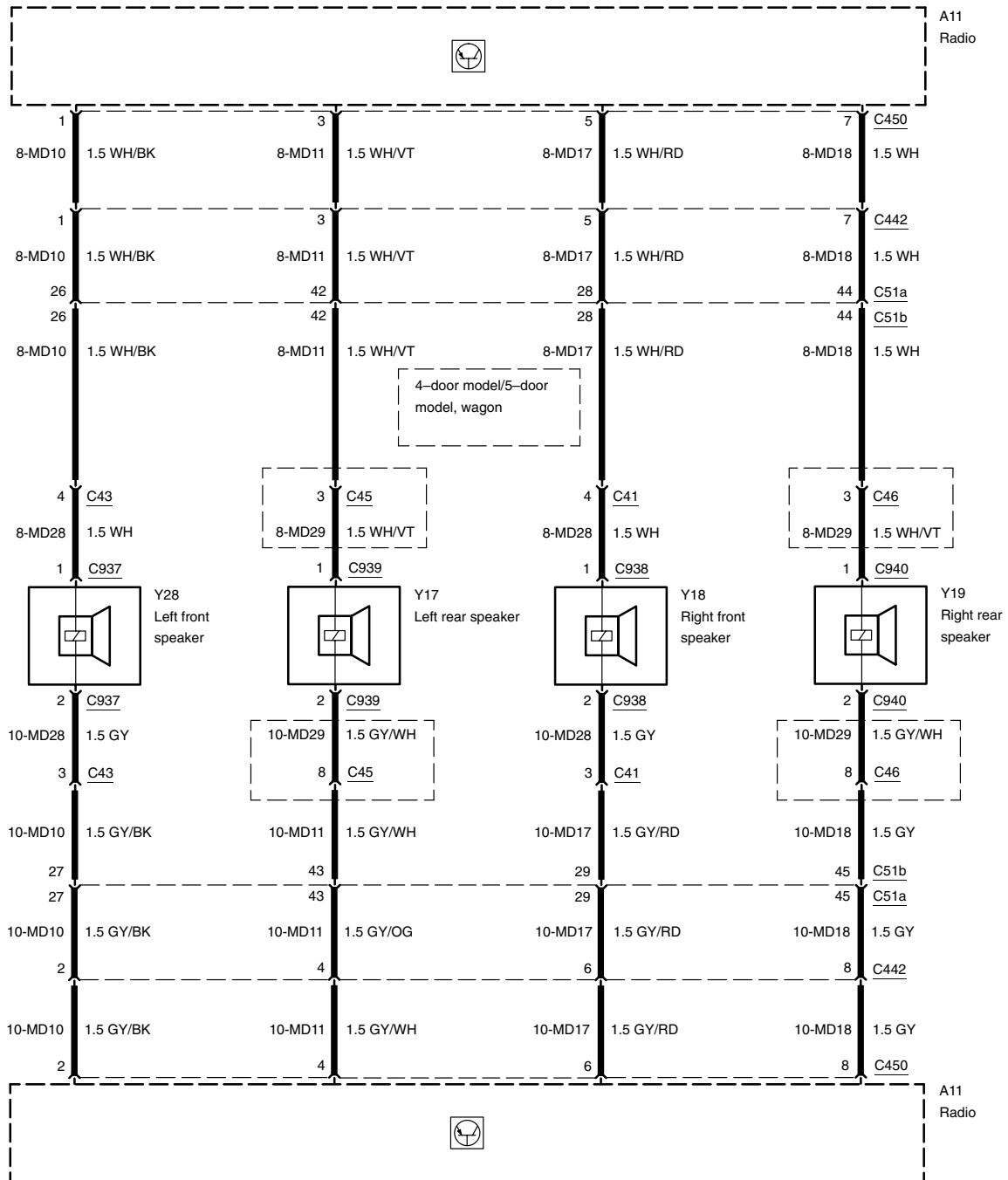
with radio and subwoofer



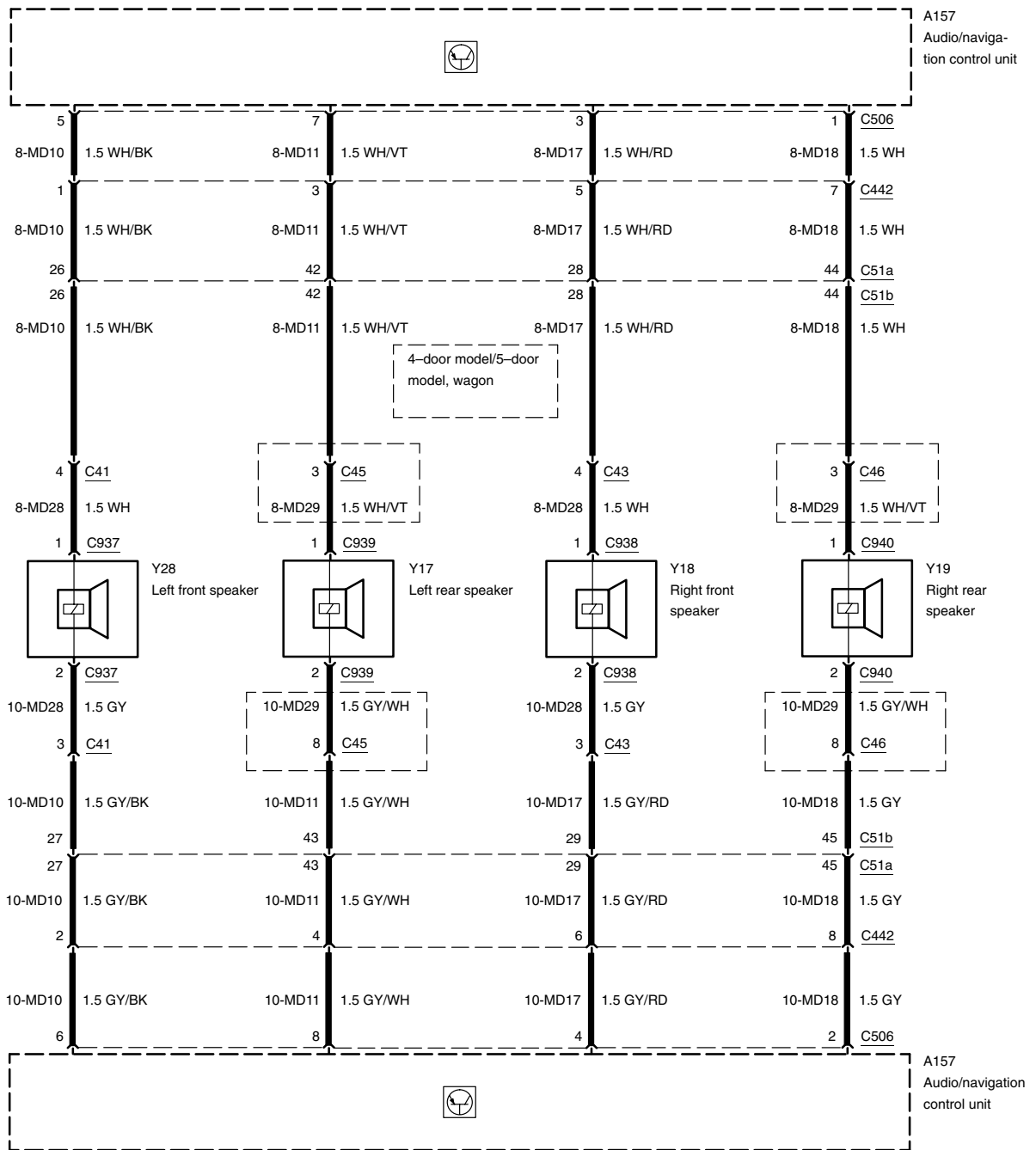
with mobile telephone, with telematics module, LHD



with mobile telephone, with telematics module, RHD

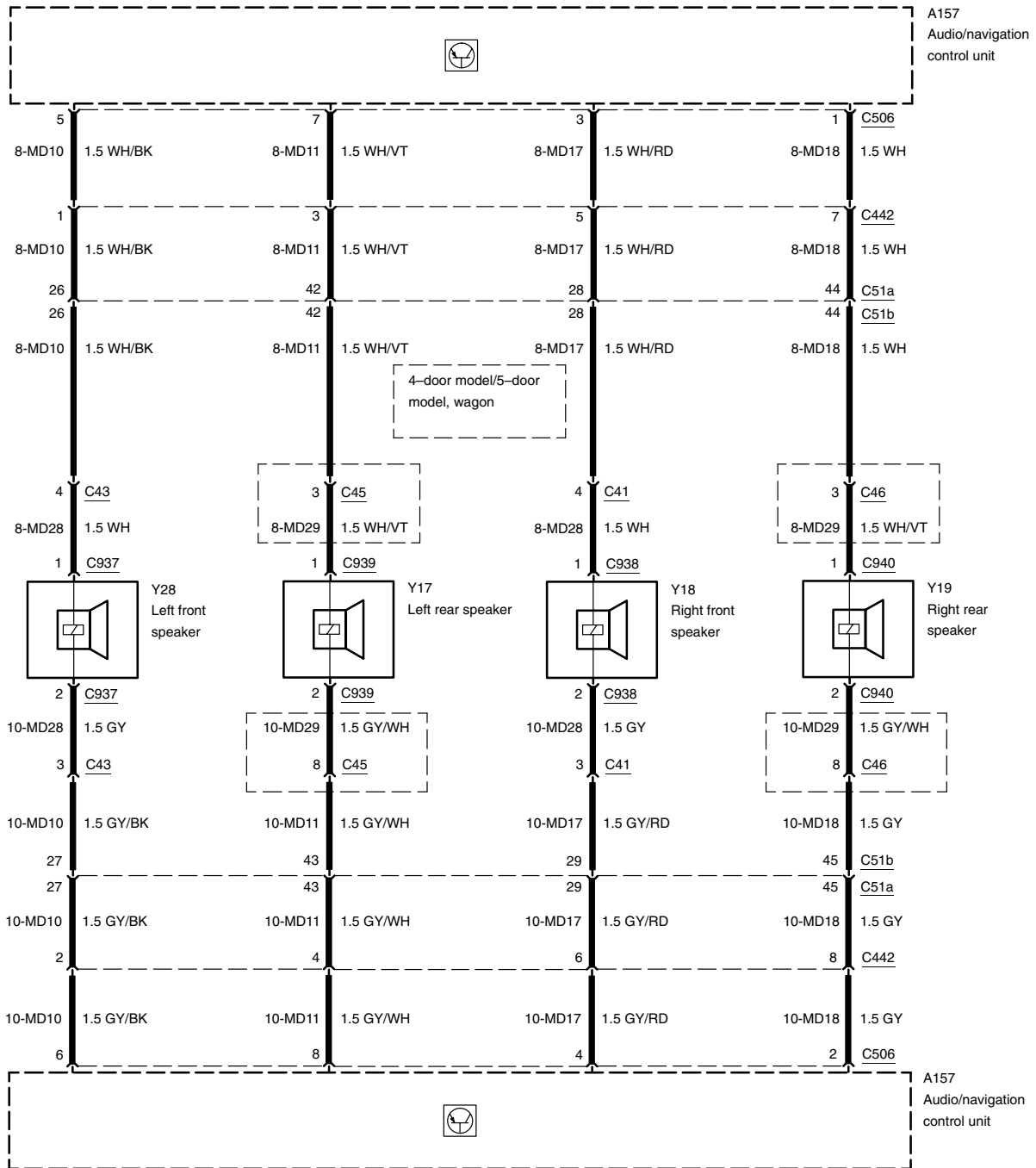


with Traffic Pro, with Travel Pilot, LHD



with Traffic Pro, with Travel Pilot, RHD

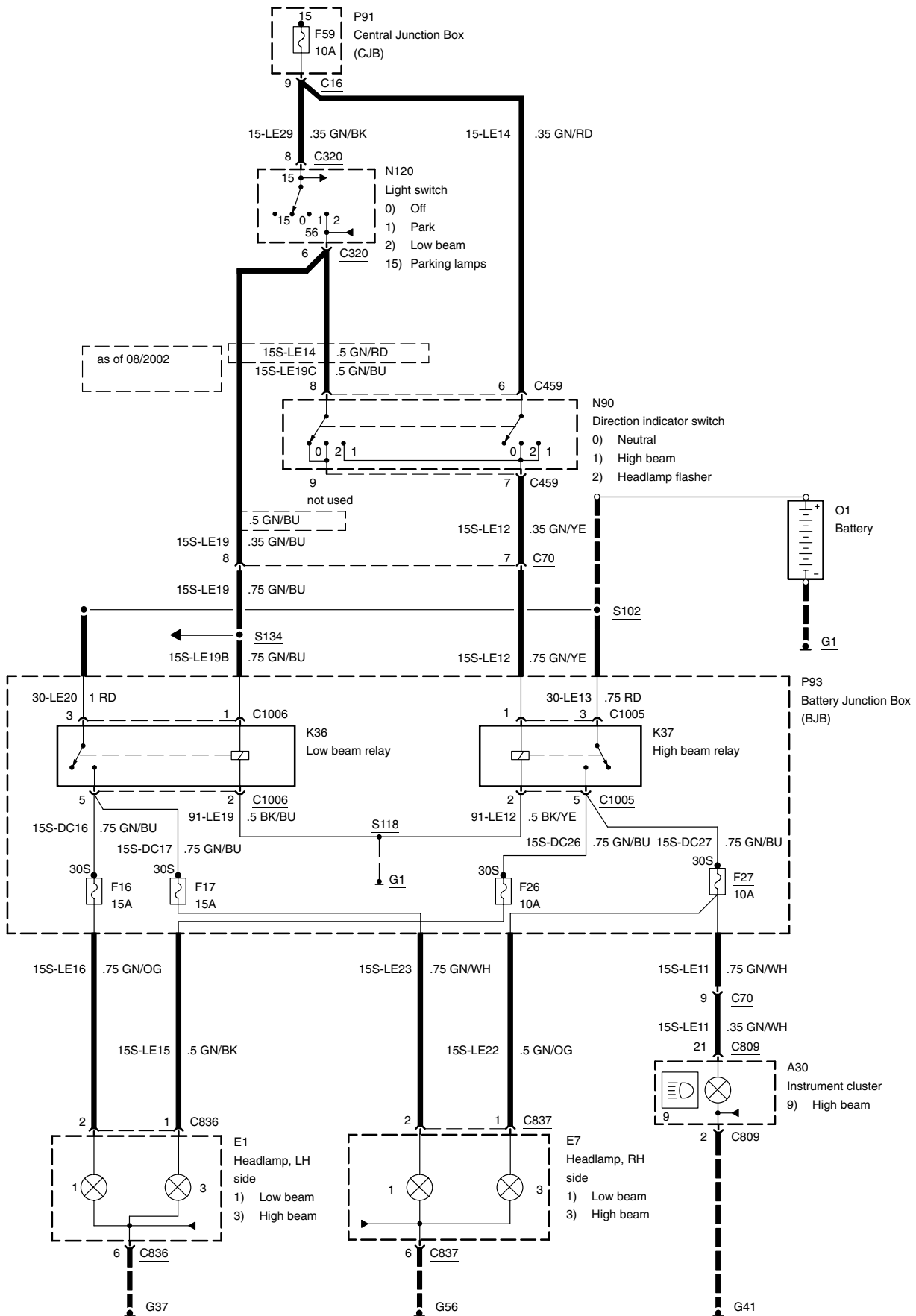
-7





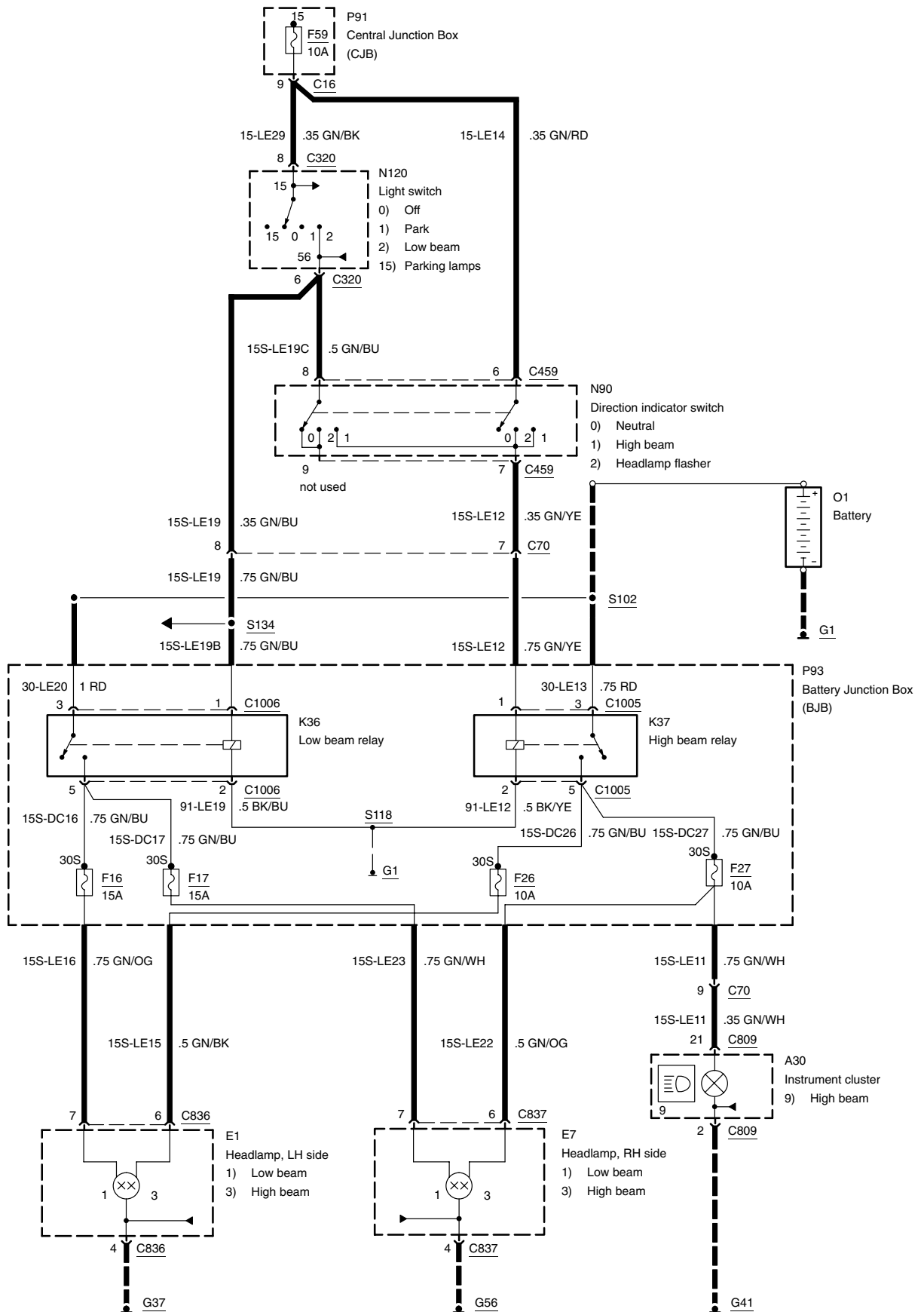
Headlamps, without high intensity discharge headlamps, except Russia

-1

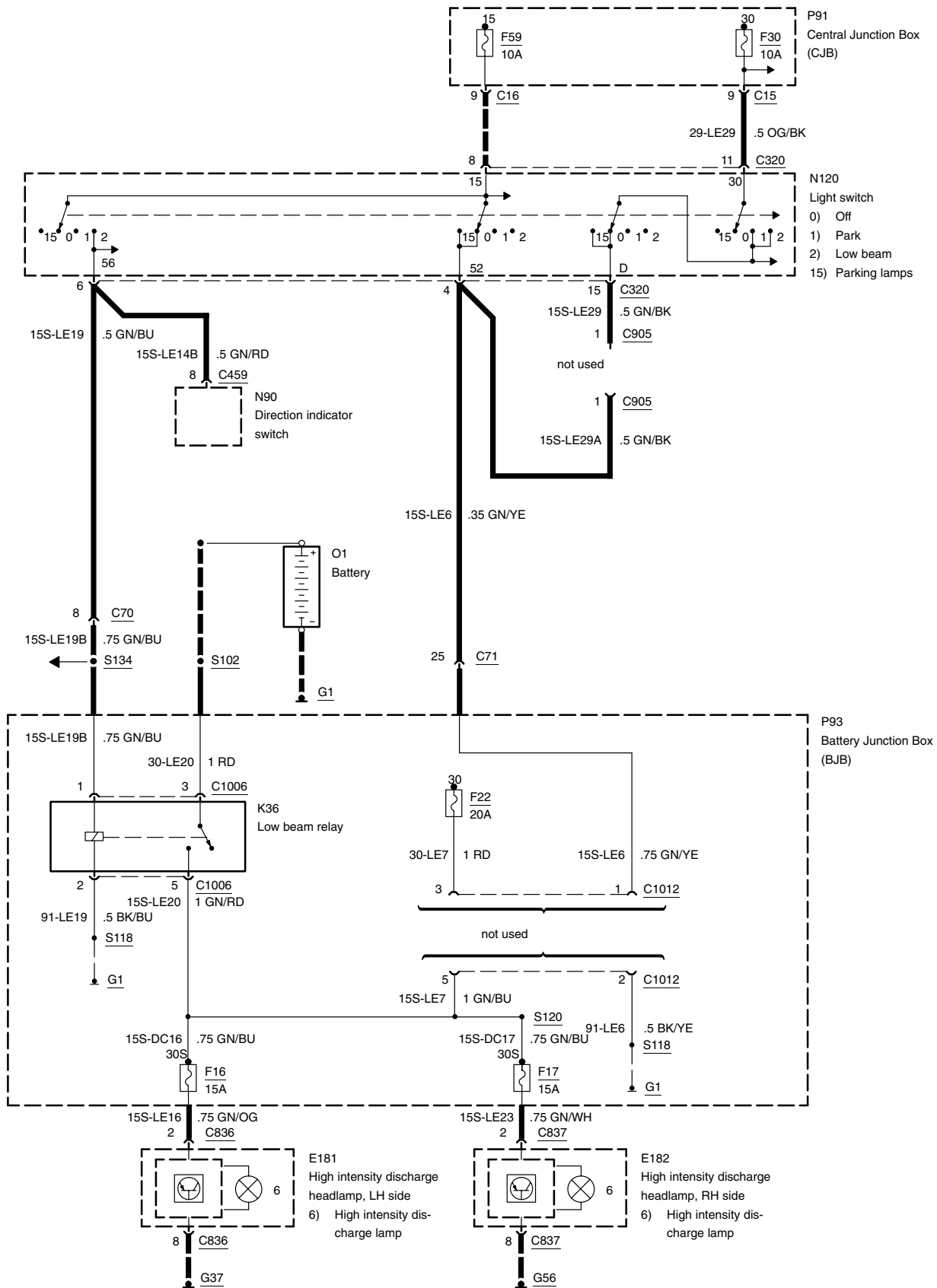




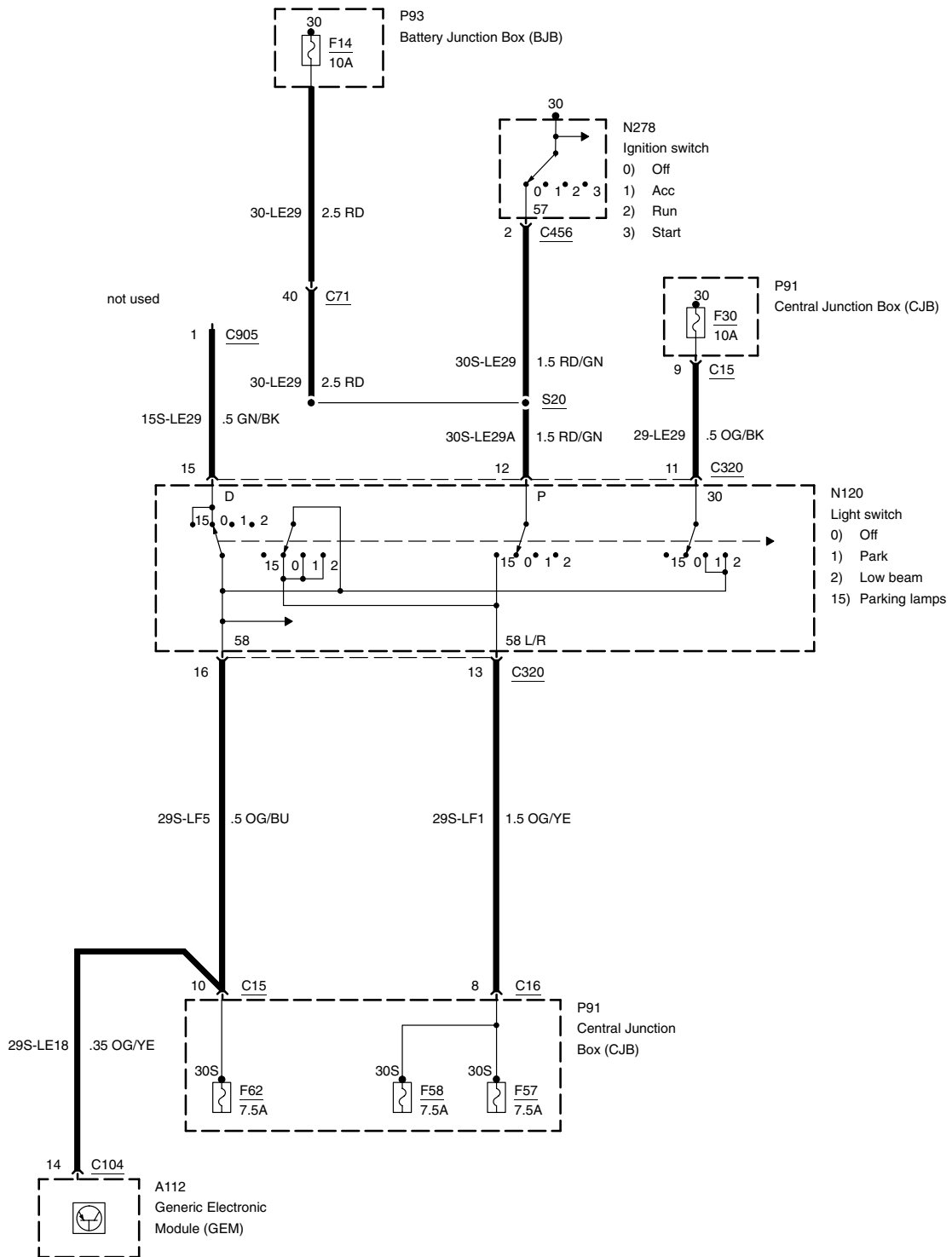
Headlamps, without high intensity discharge headlamps, Russia



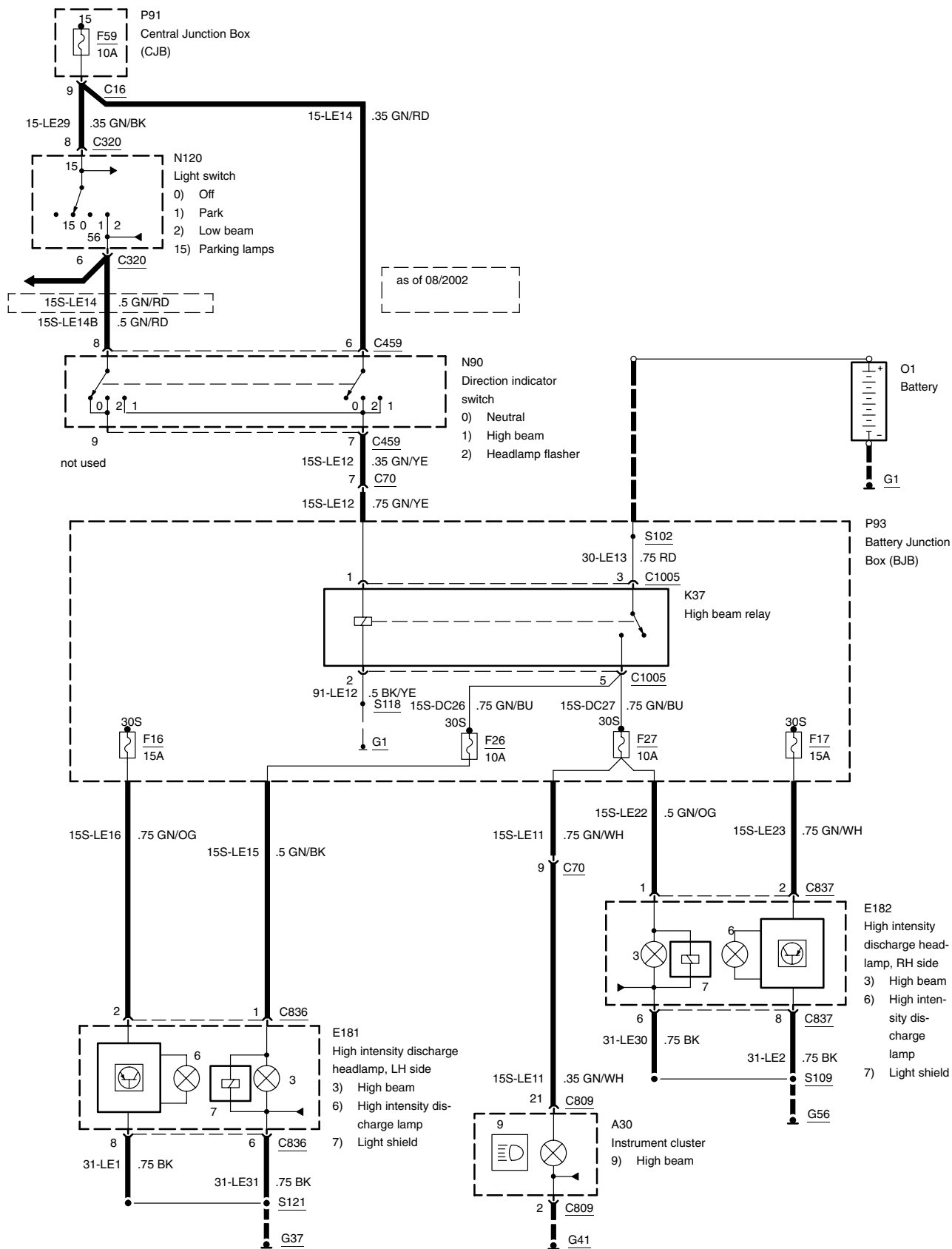
Headlamps, Low beam, with high intensity discharge headlamps



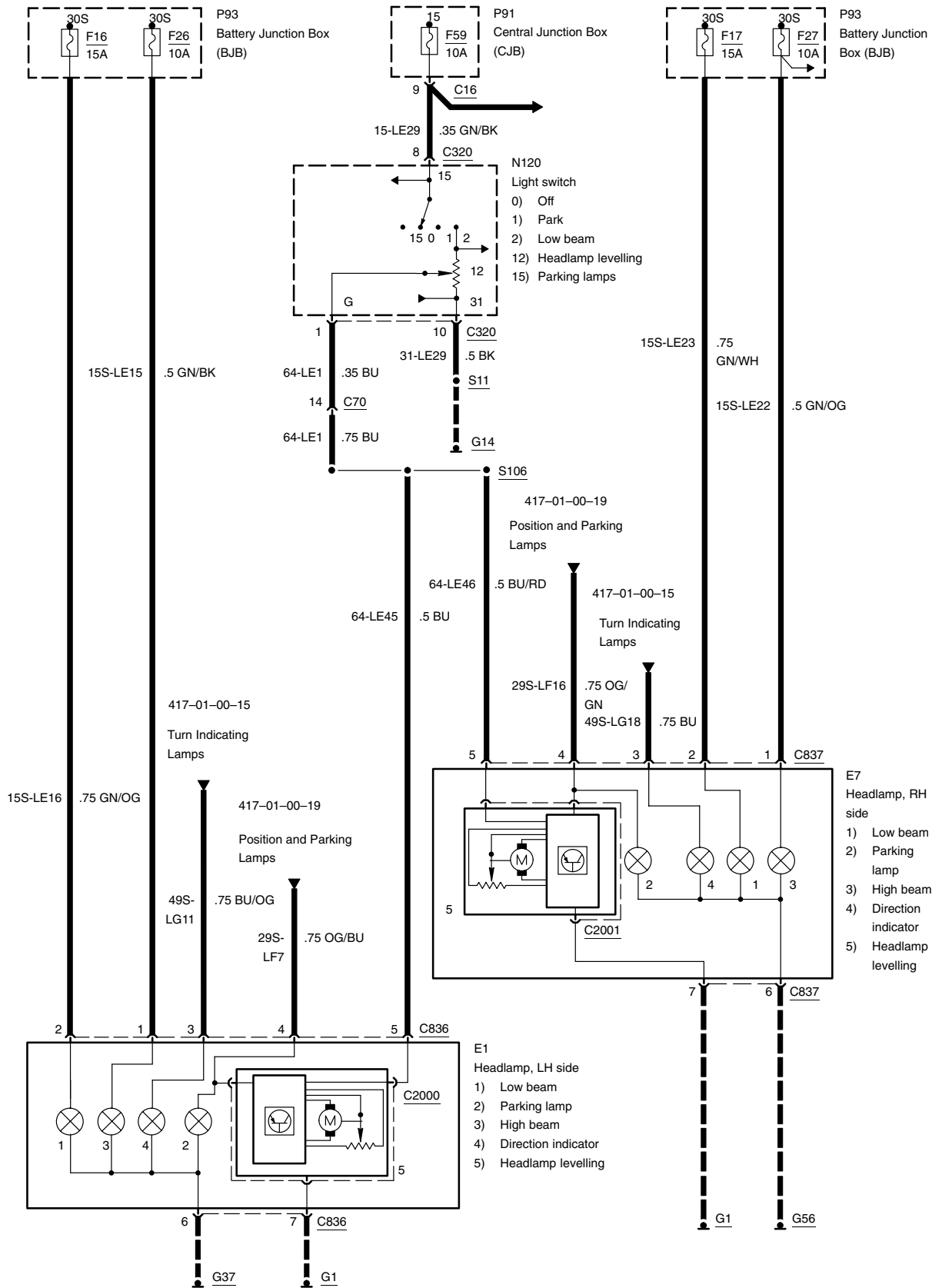
### Headlamps, Low beam, with high intensity discharge headlamps



Headlamps, High beam, with high intensity discharge headlamps

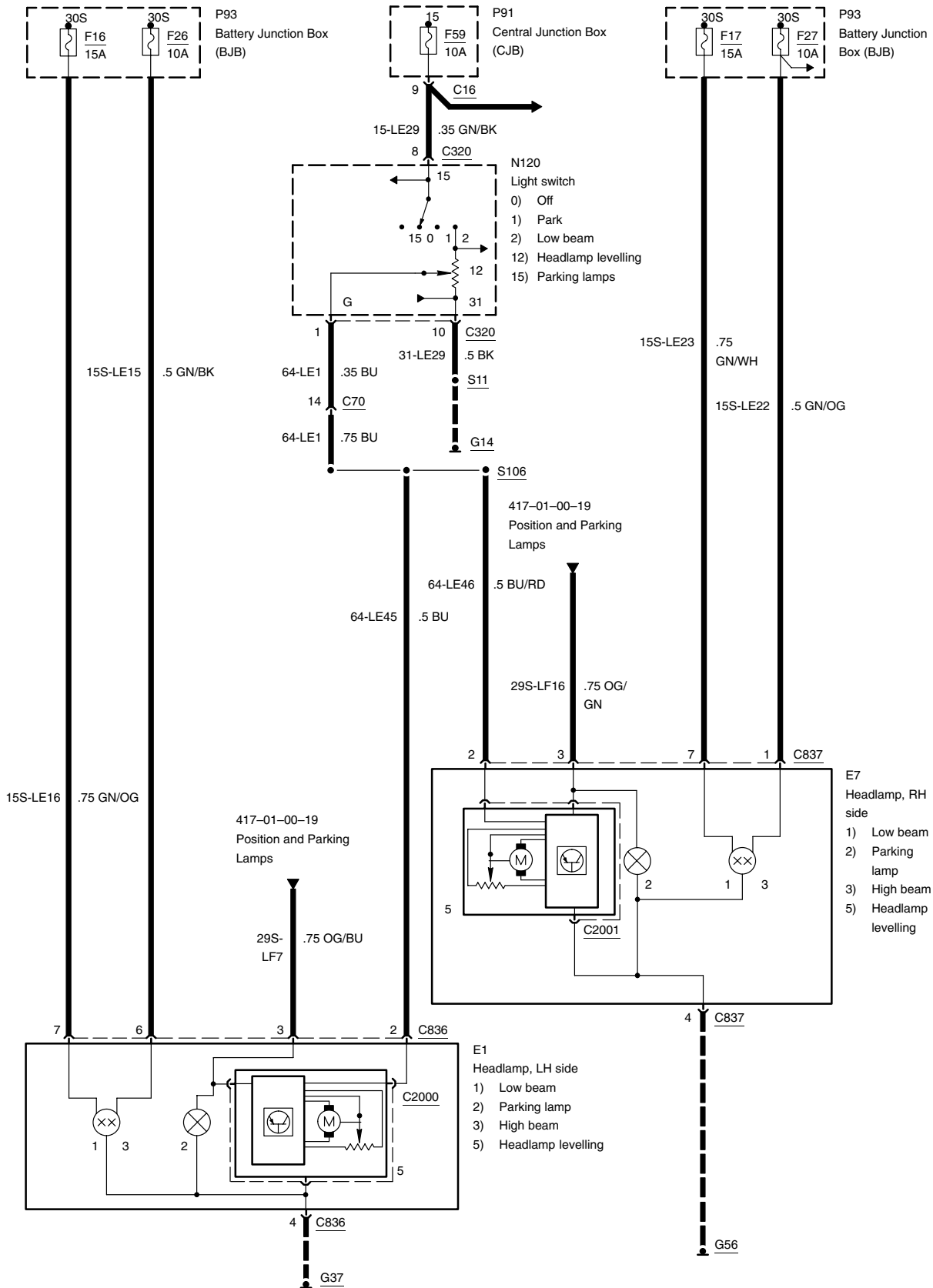


Headlamp levelling, without high intensity discharge headlamps, except Russia, Duratec-RS

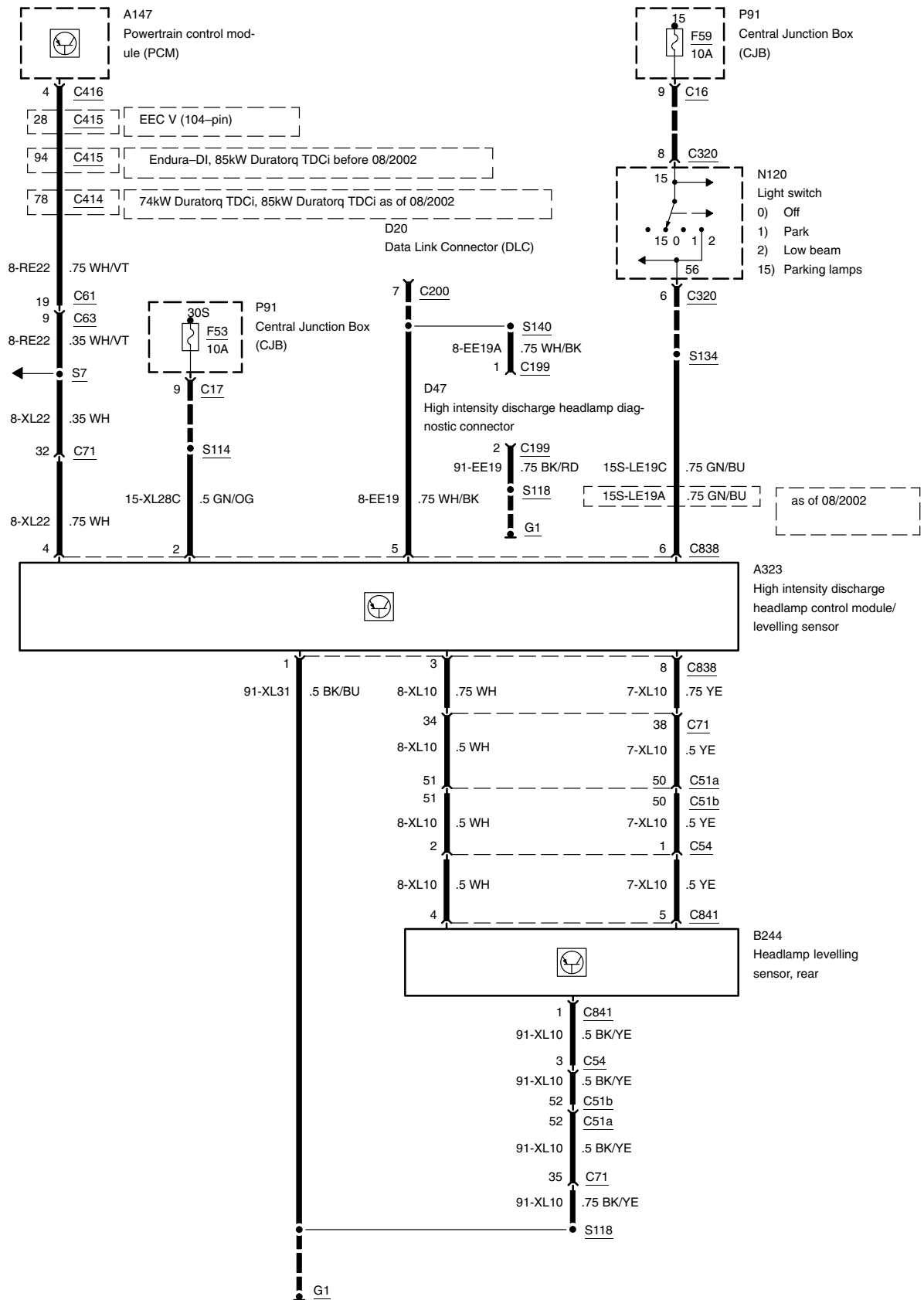


Headlamp levelling, without high intensity discharge headlamps, Russia, Duratec-RS

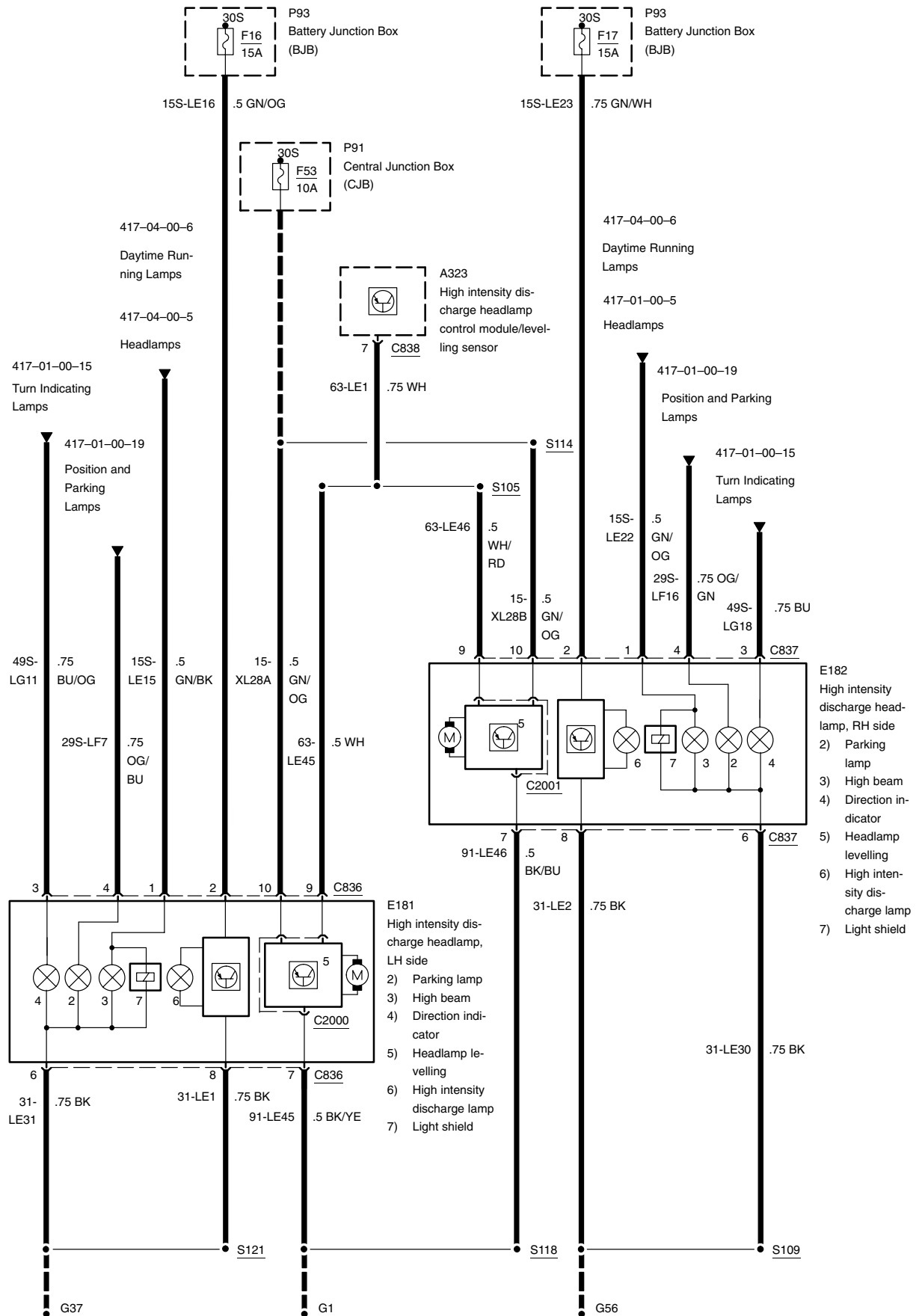
-7



### Headlamp levelling, with high intensity discharge headlamps

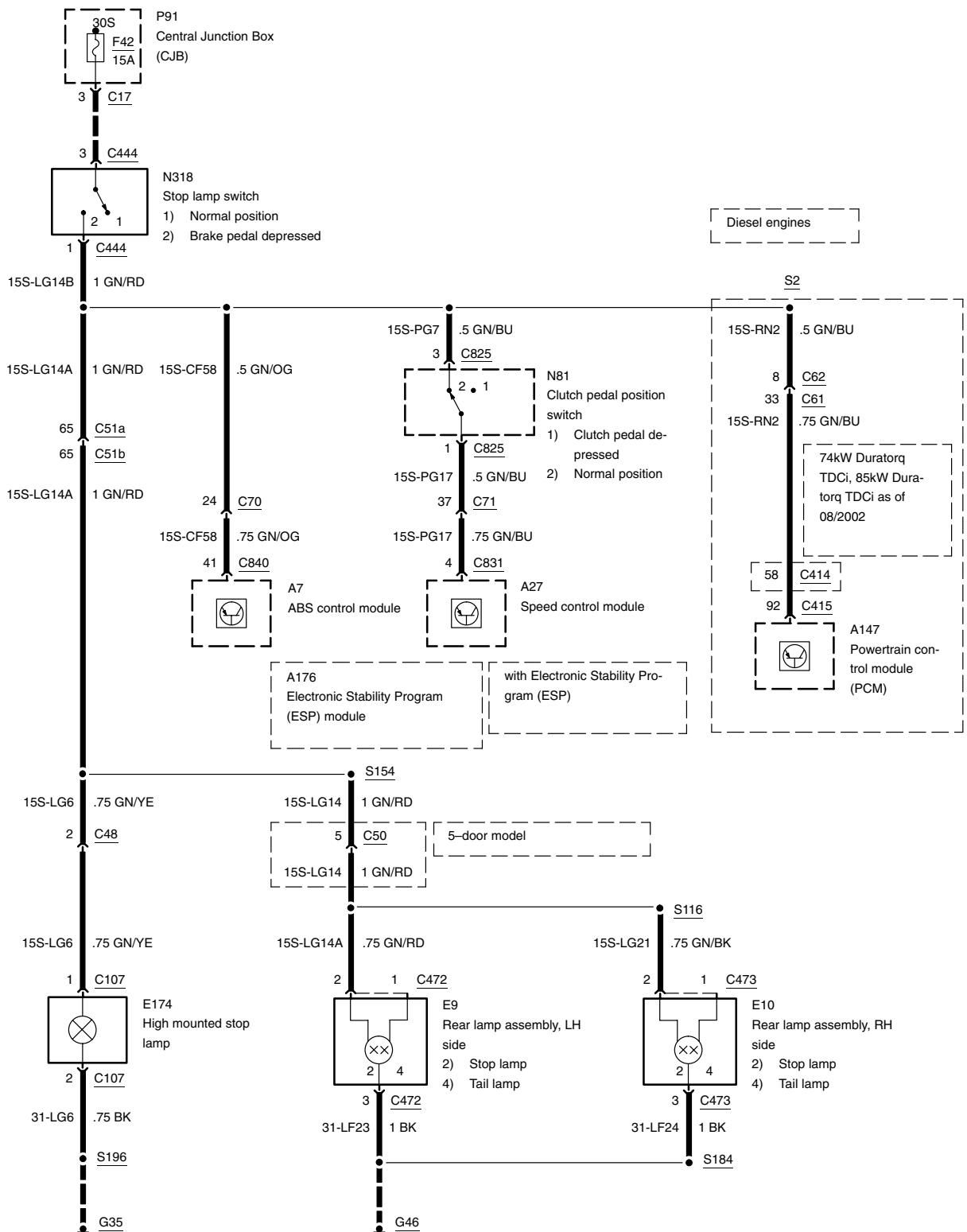


Headlamp levelling, with high intensity discharge headlamps

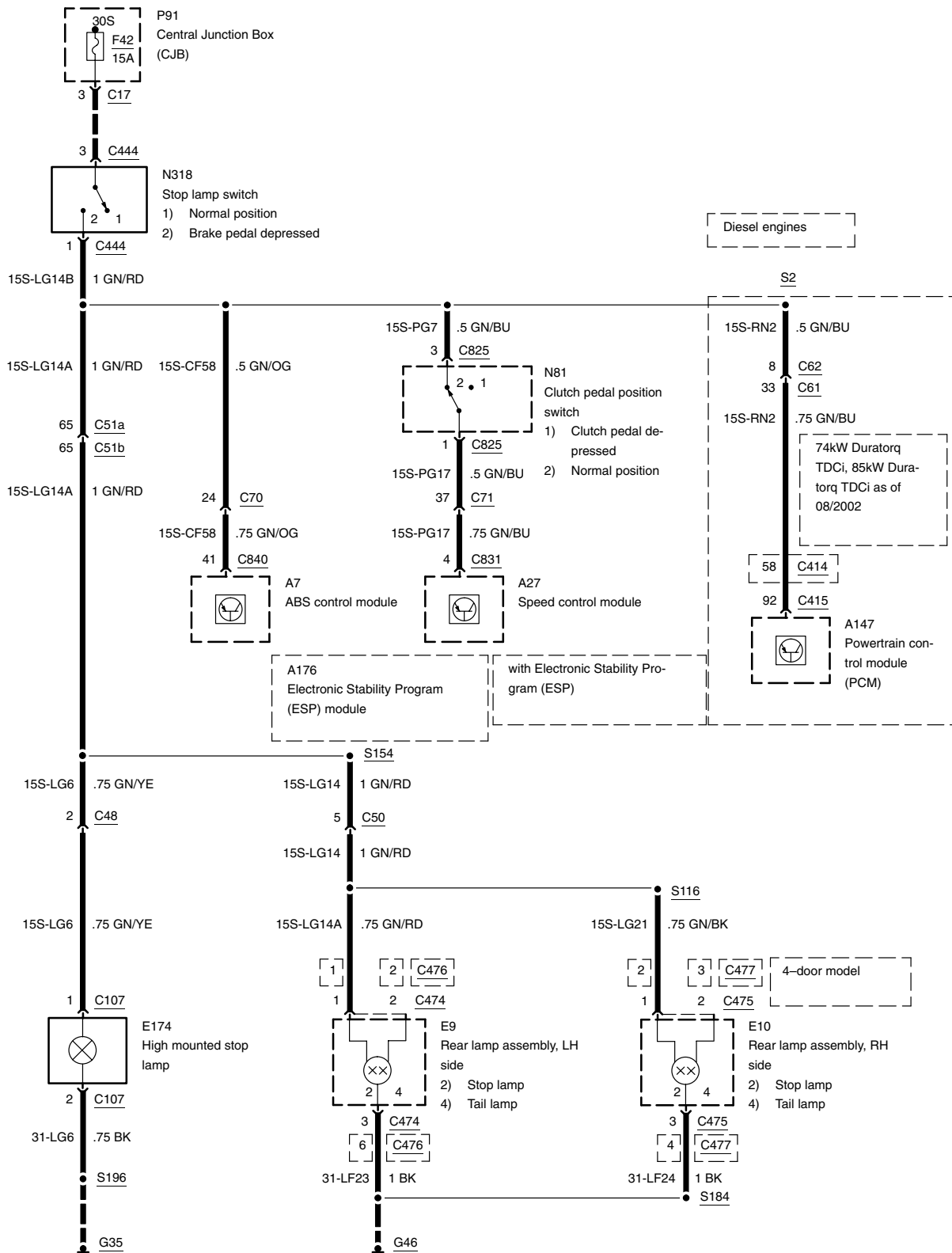




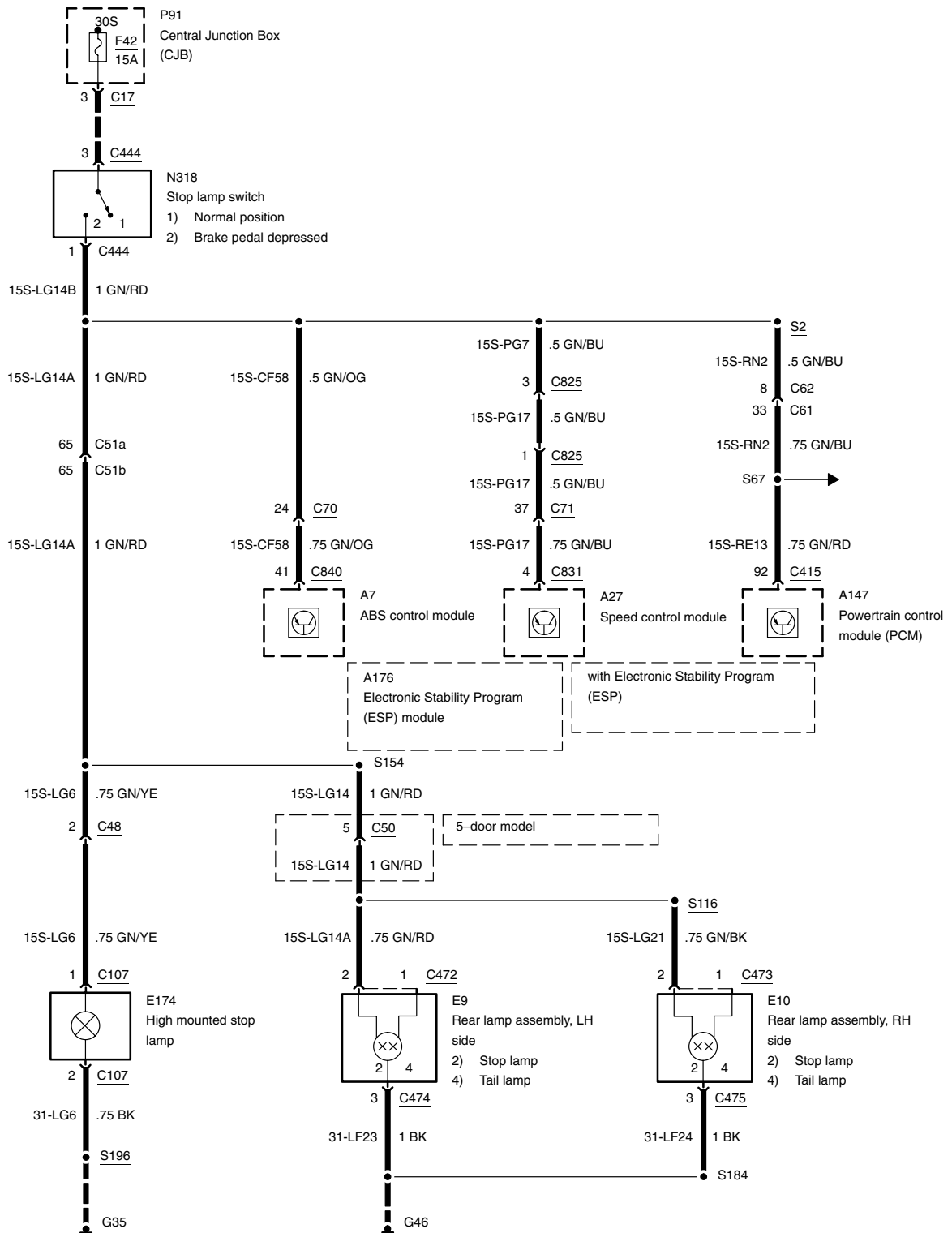
### Stop Lamps, manual transmission, 3-door model, 5-door model



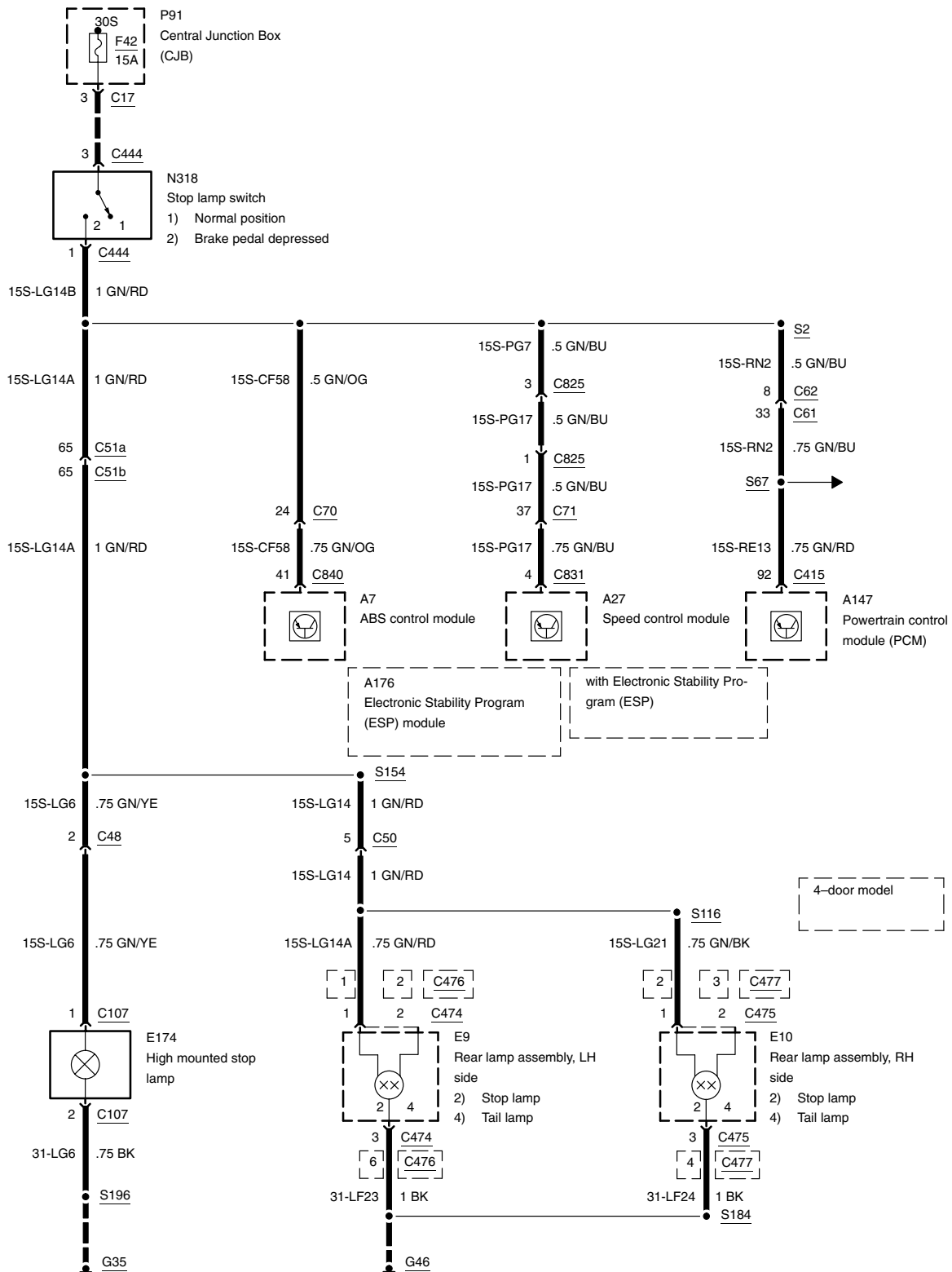
Stop Lamps, manual transmission, 4-door model, wagon



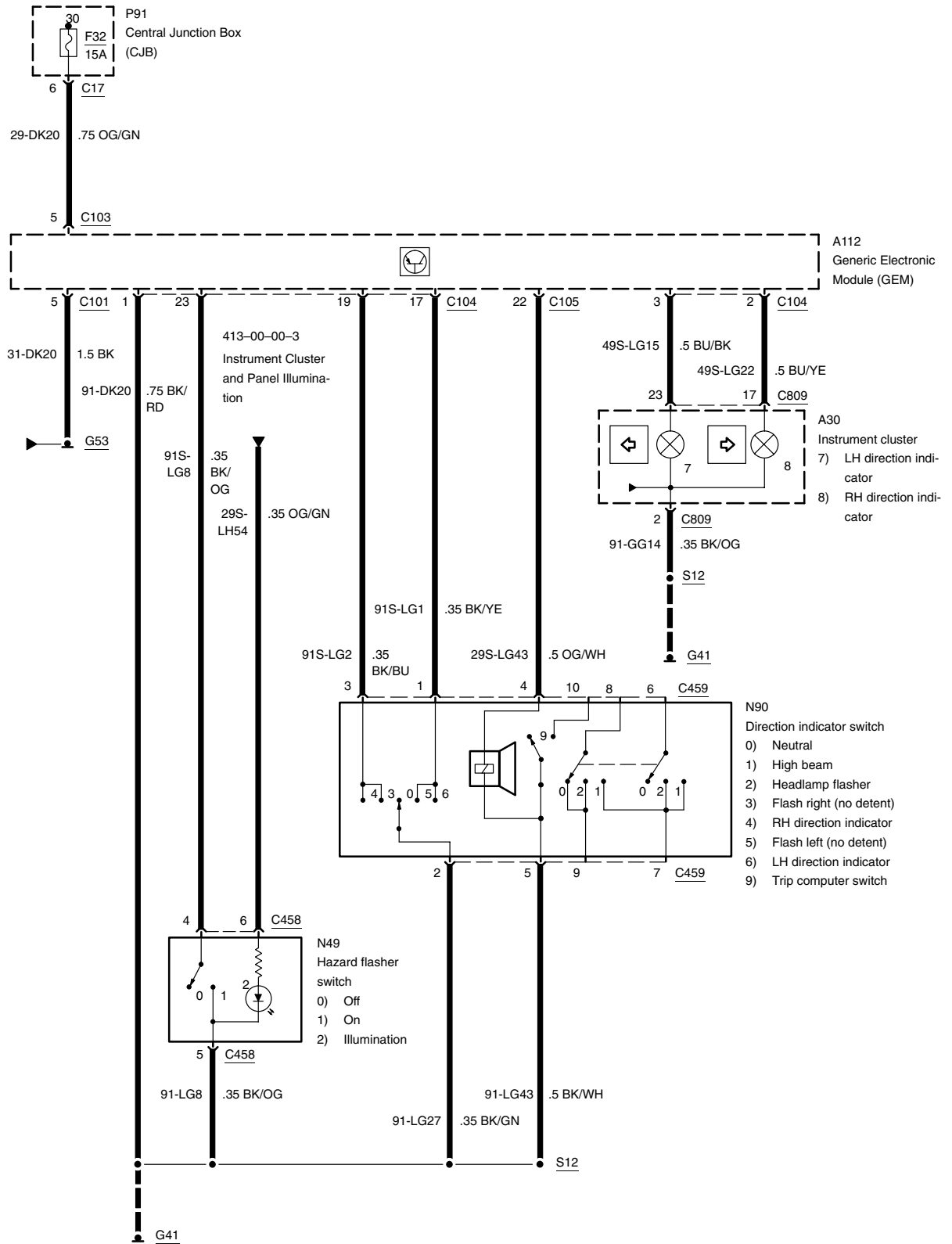
### Stop Lamps, automatic transmission, 3-door model, 5-door model



Stop Lamps, automatic transmission, 4-door model, wagon

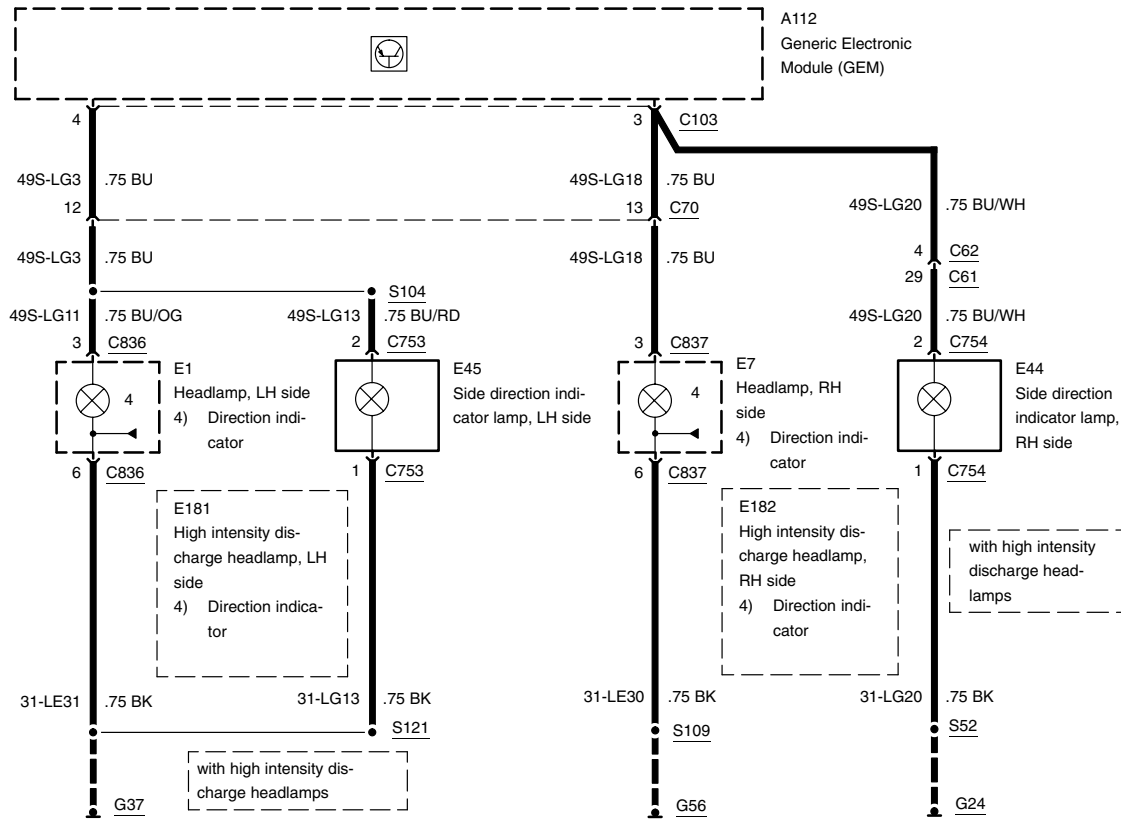


Turn Indicating Lamps



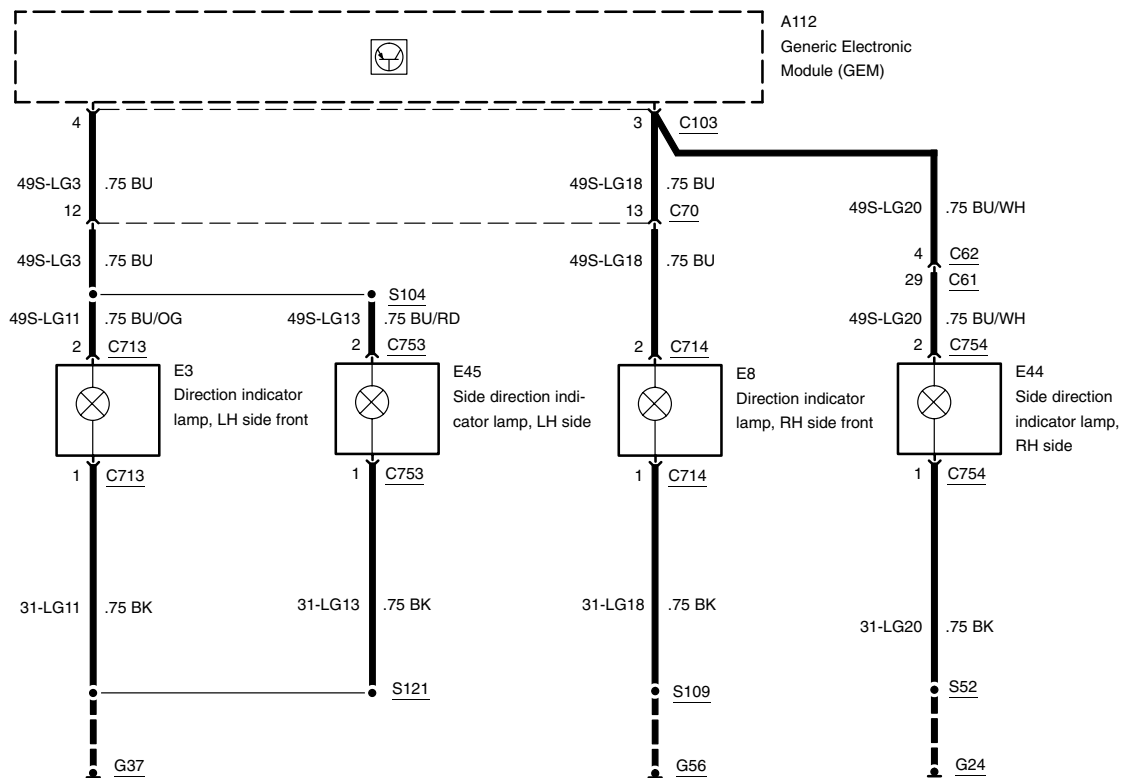
Turn Indicating Lamps, front, except Duratec-RS, Russia

-15



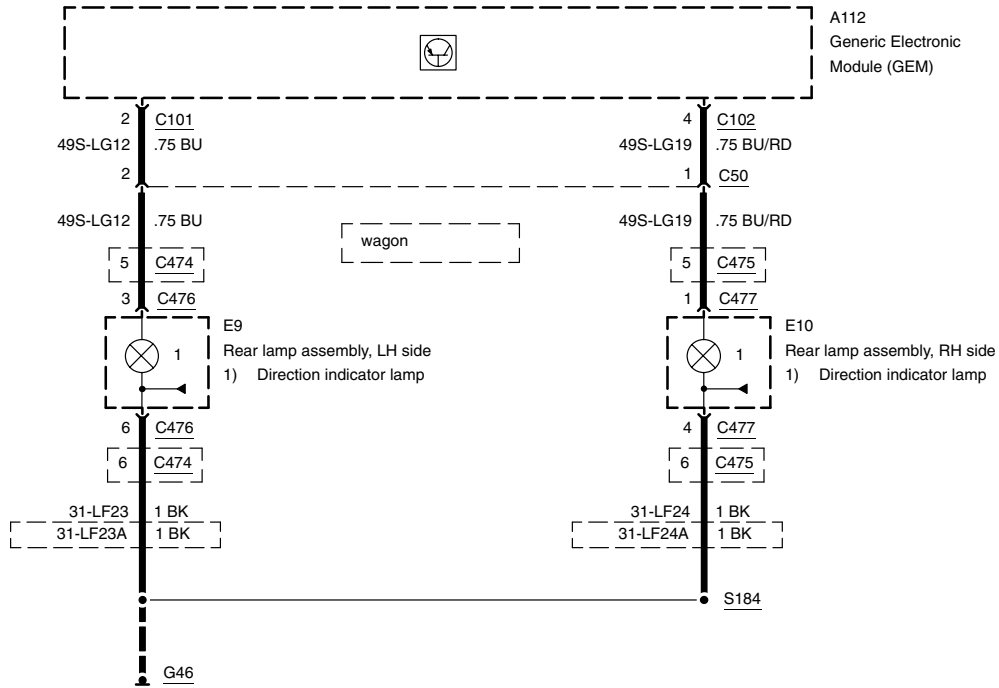
Turn Indicating Lamps, front, Duratec-RS, Russia

-16



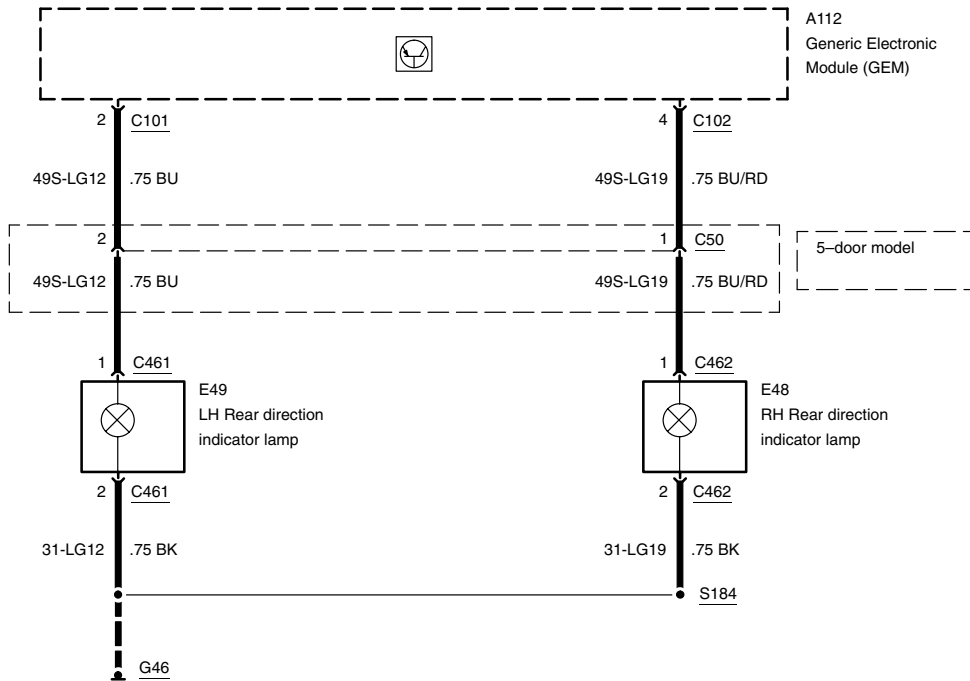
### Turn Indicating Lamps, rear, 4-door model, wagon

-17

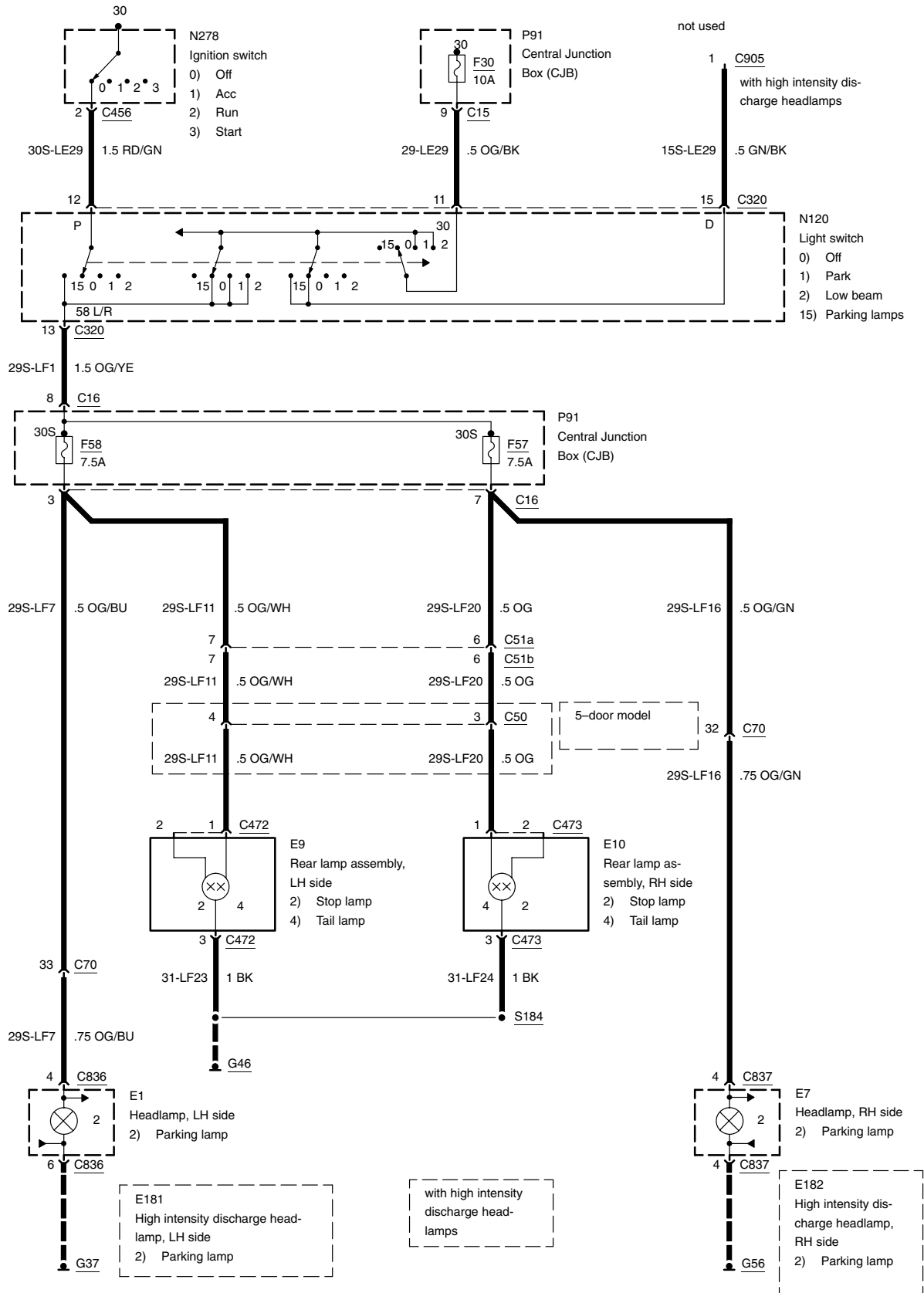


### Turn Indicating Lamps, rear, 3-door model, 5-door model

-18

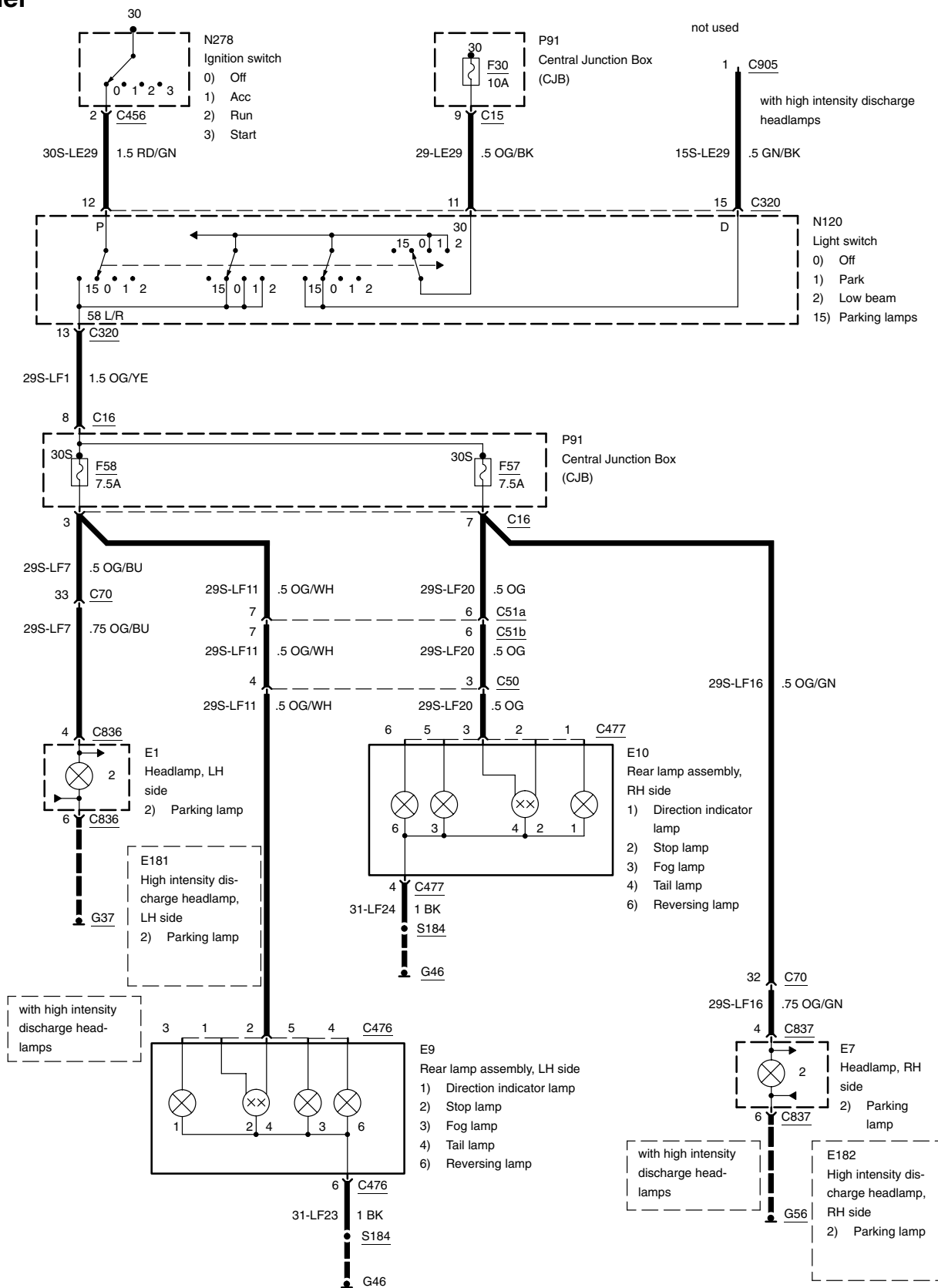


**Position and Parking Lamps, Without daytime running lamps, 3-door model, 5-door model**

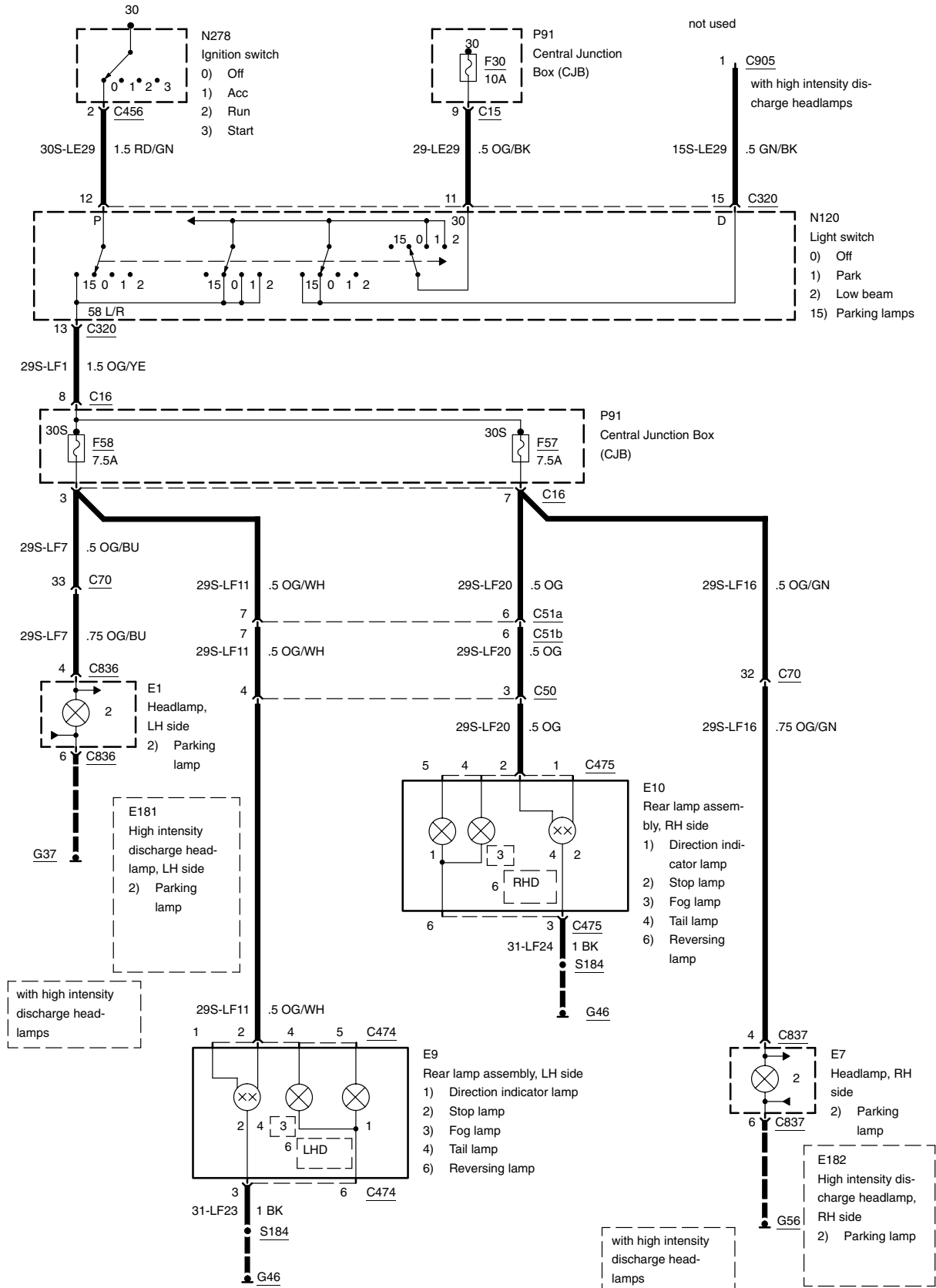




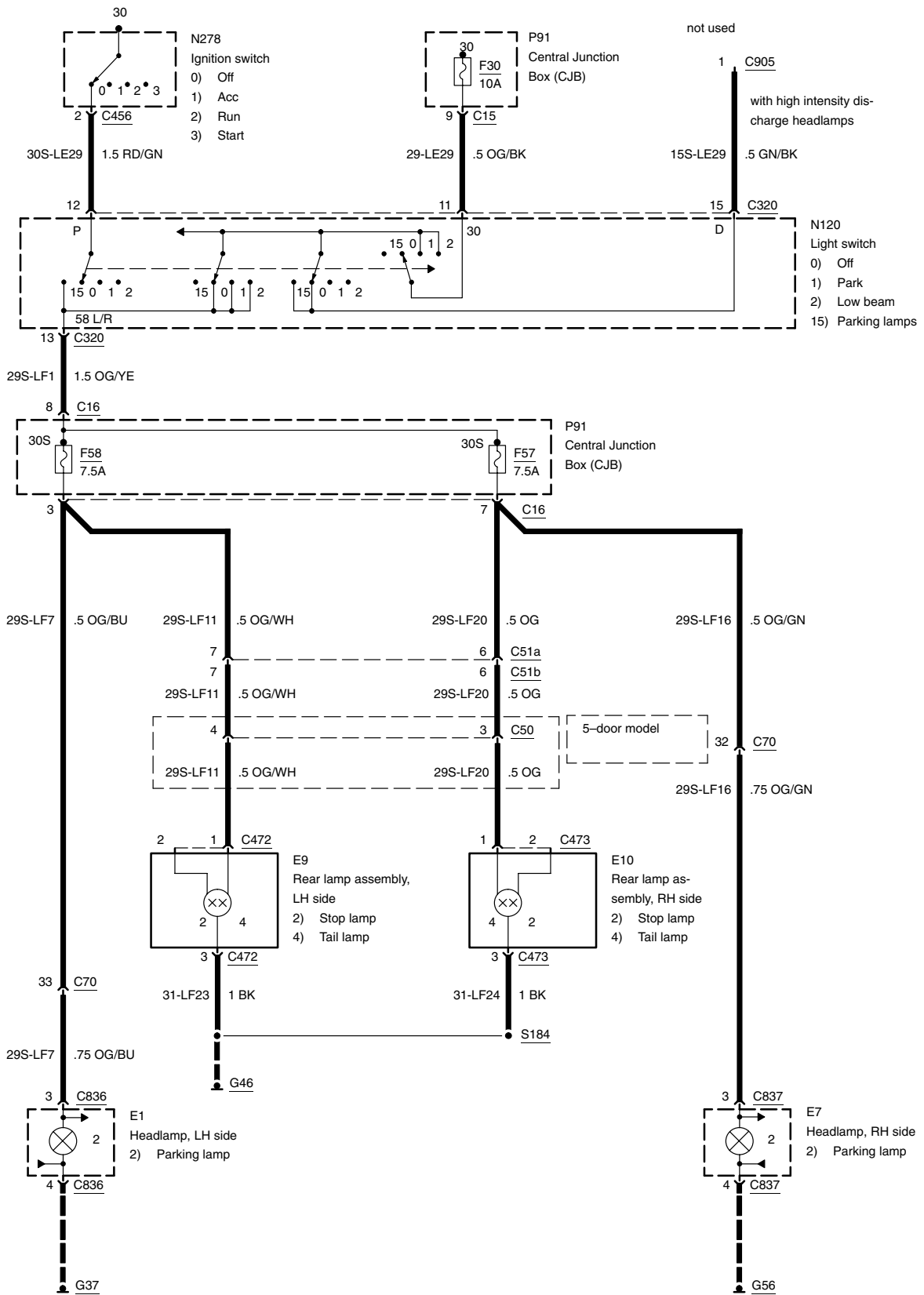
# Position and Parking Lamps, Without daytime running lamps, 4-door model



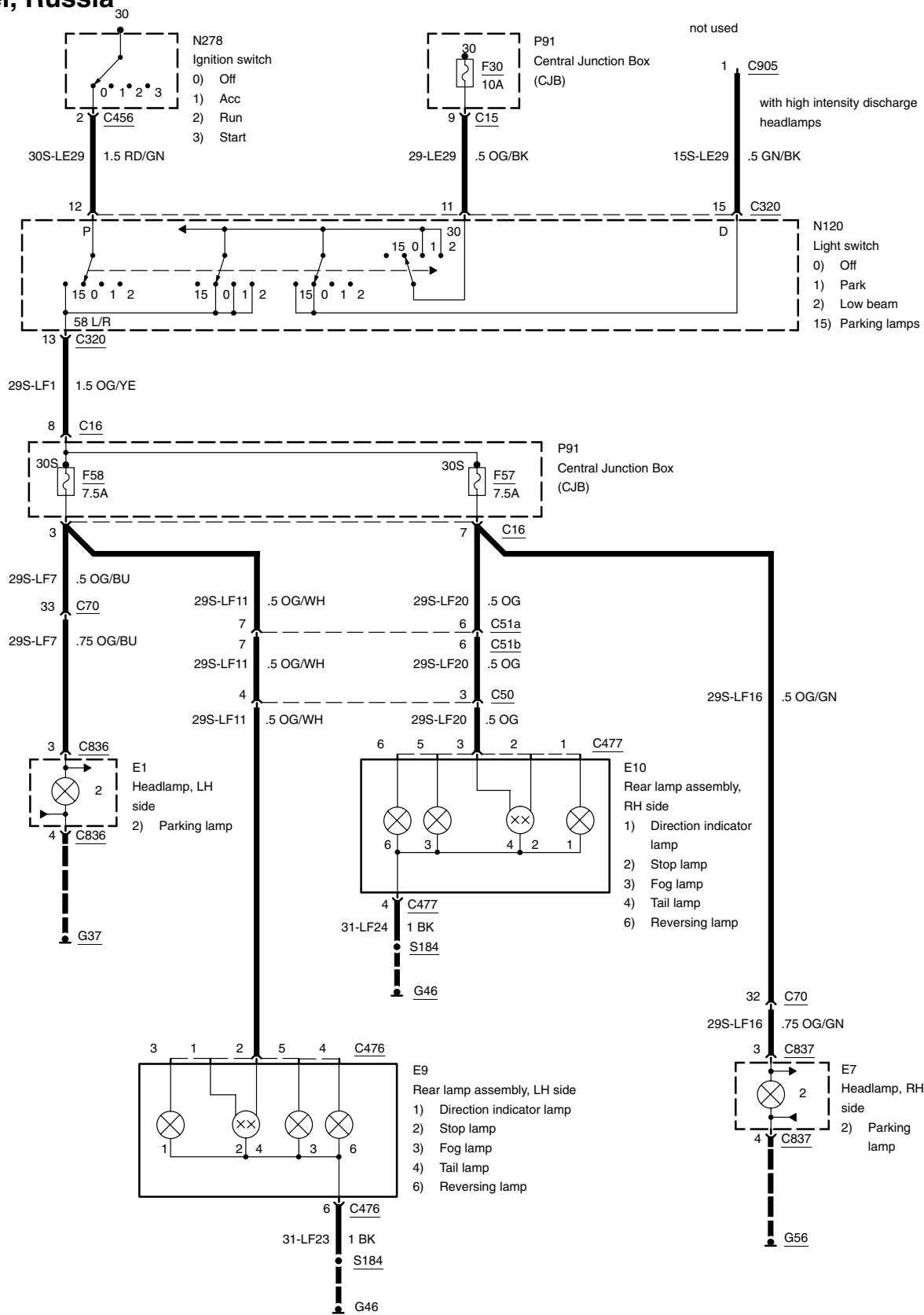
Position and Parking Lamps, without daytime running lamps, wagon



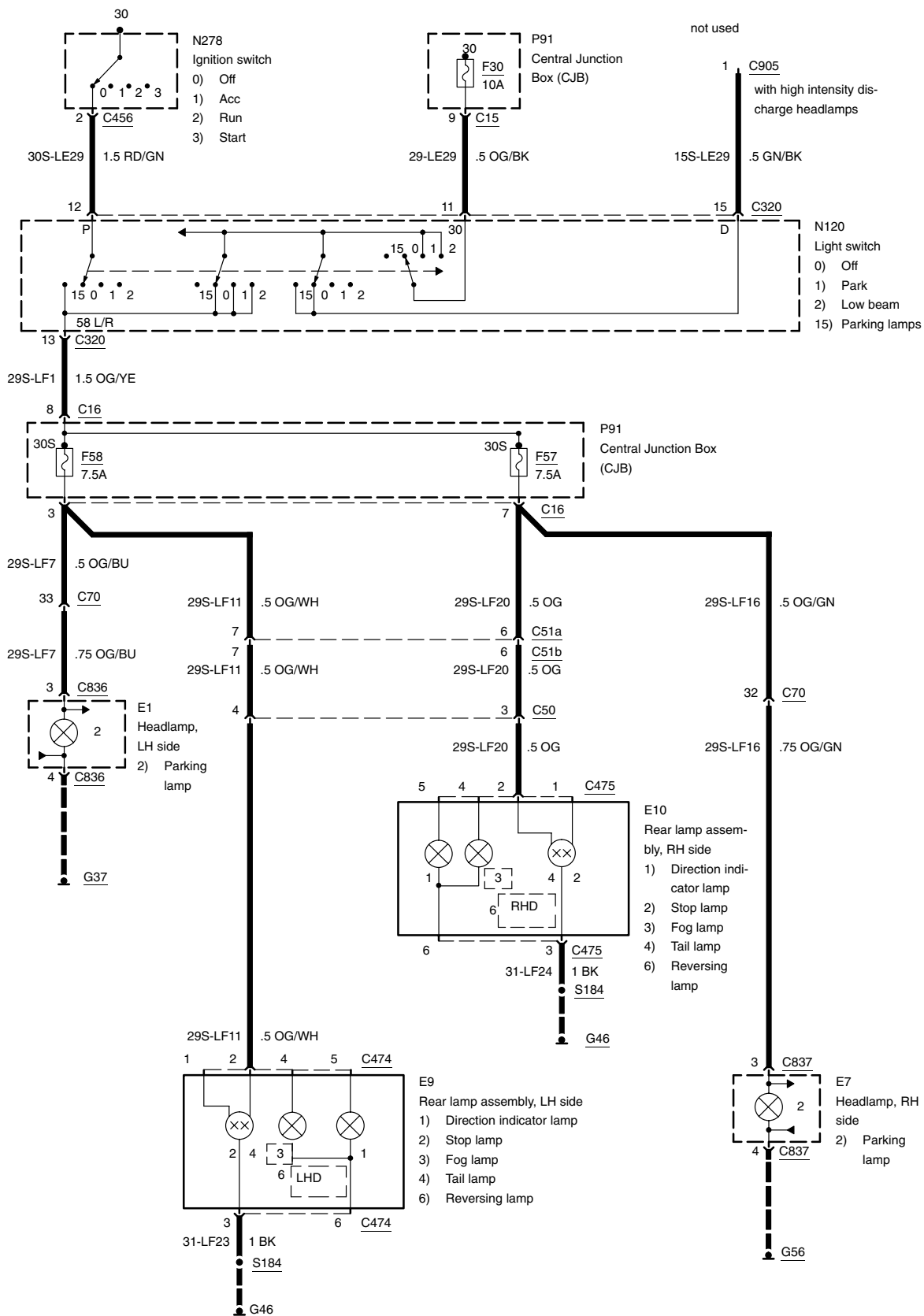
# Position and Parking Lamps, Without daytime running lamps, 3-door model, 5-door model, Russia



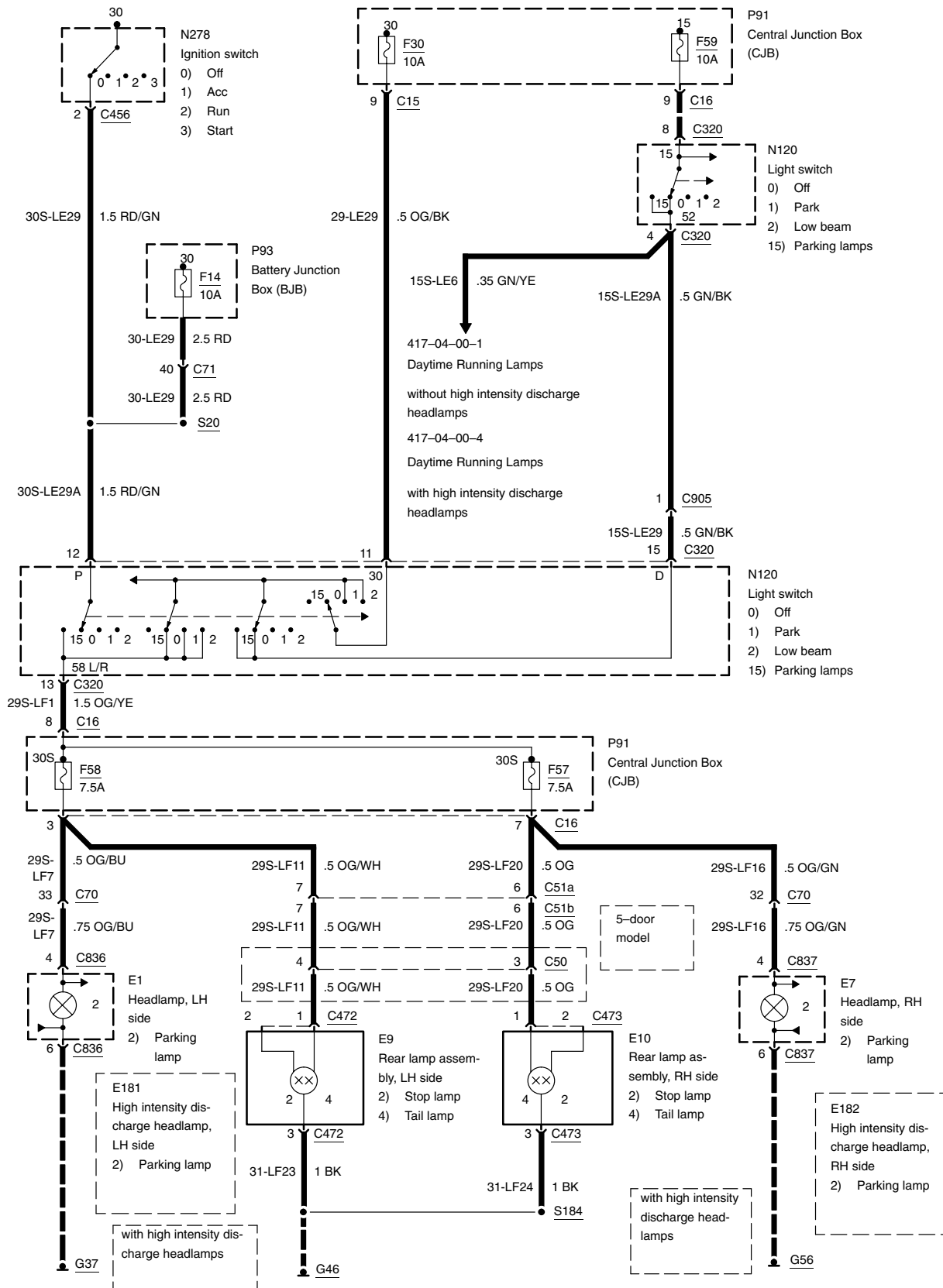
Position and Parking Lamps, Without daytime running lamps, 4-door model, Russia



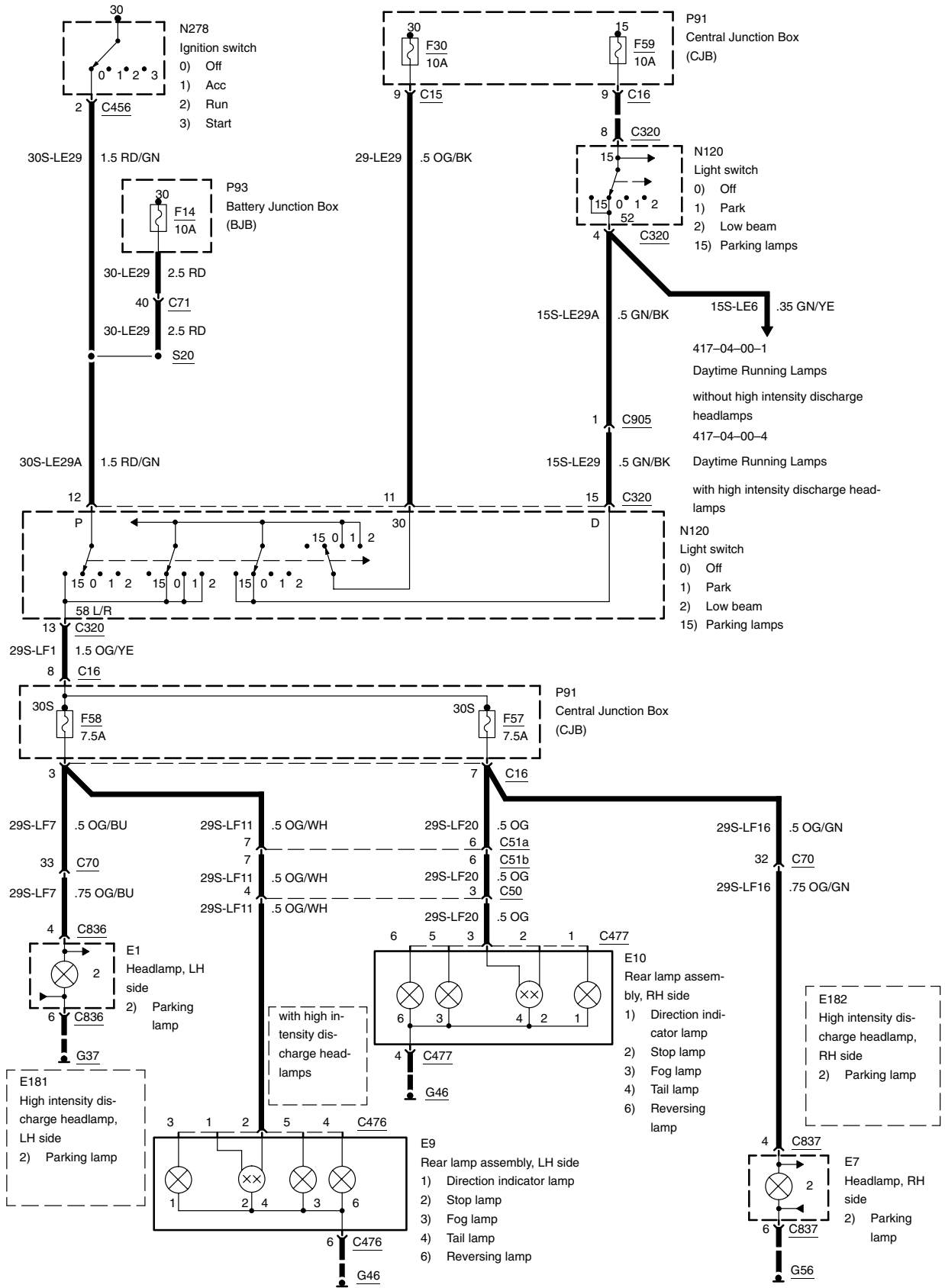
# Position and Parking Lamps, without daytime running lamps, wagon, Russia



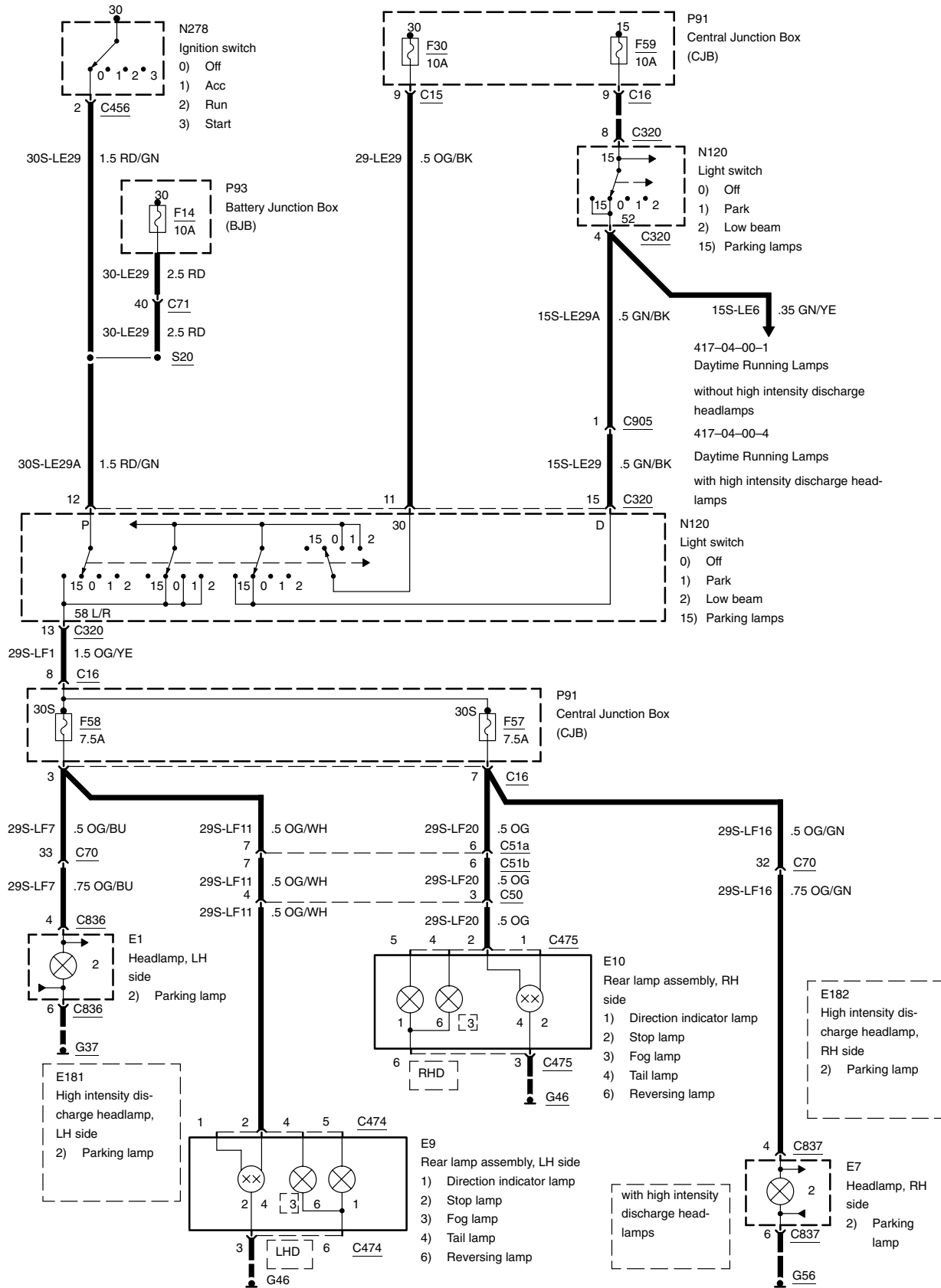
# Position and Parking Lamps, with daytime running lamps, 3-door model, 5-door model



Position and Parking Lamps, with daytime running lamps, 4-door model

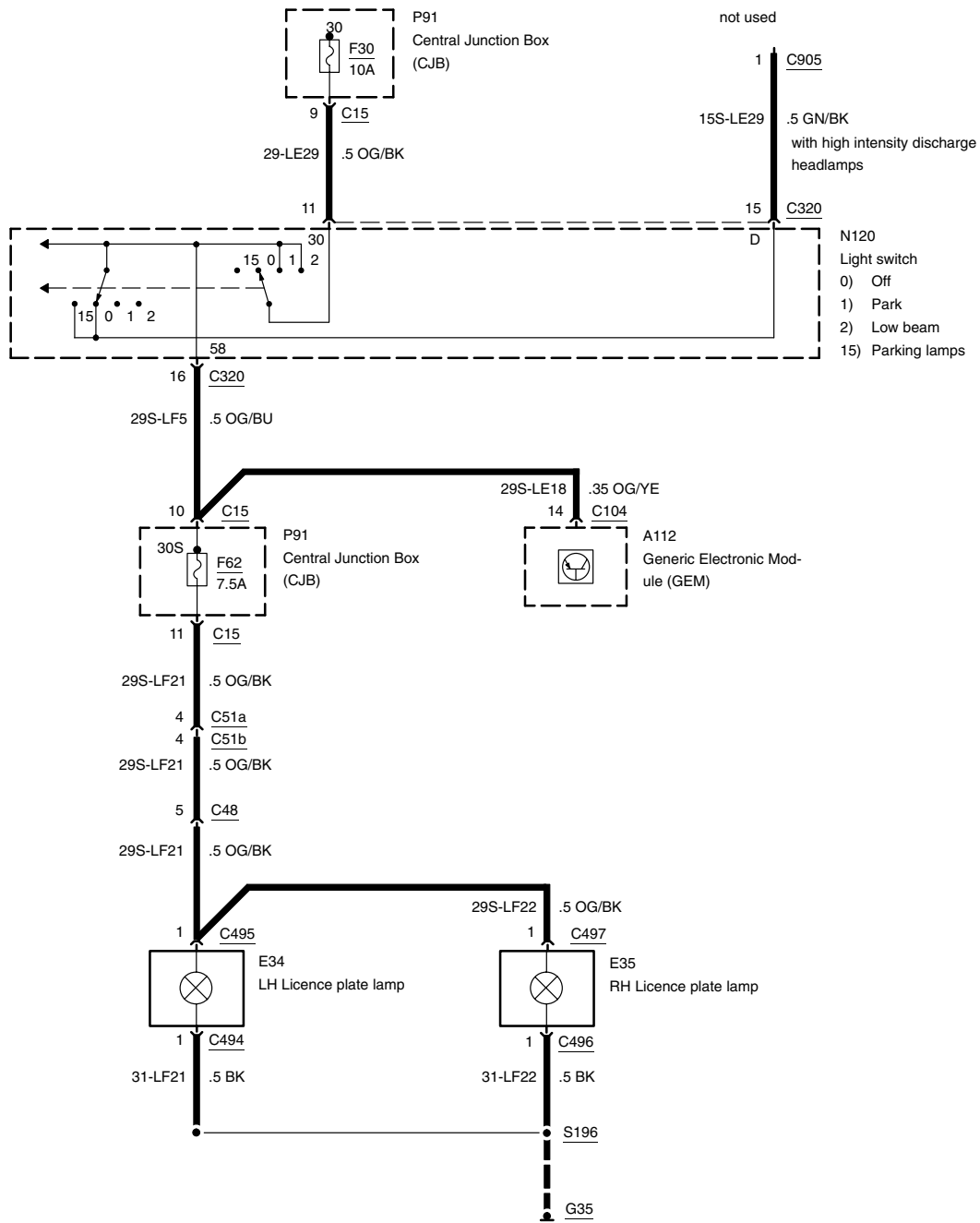


Position and Parking Lamps, with daytime running lamps, wagon

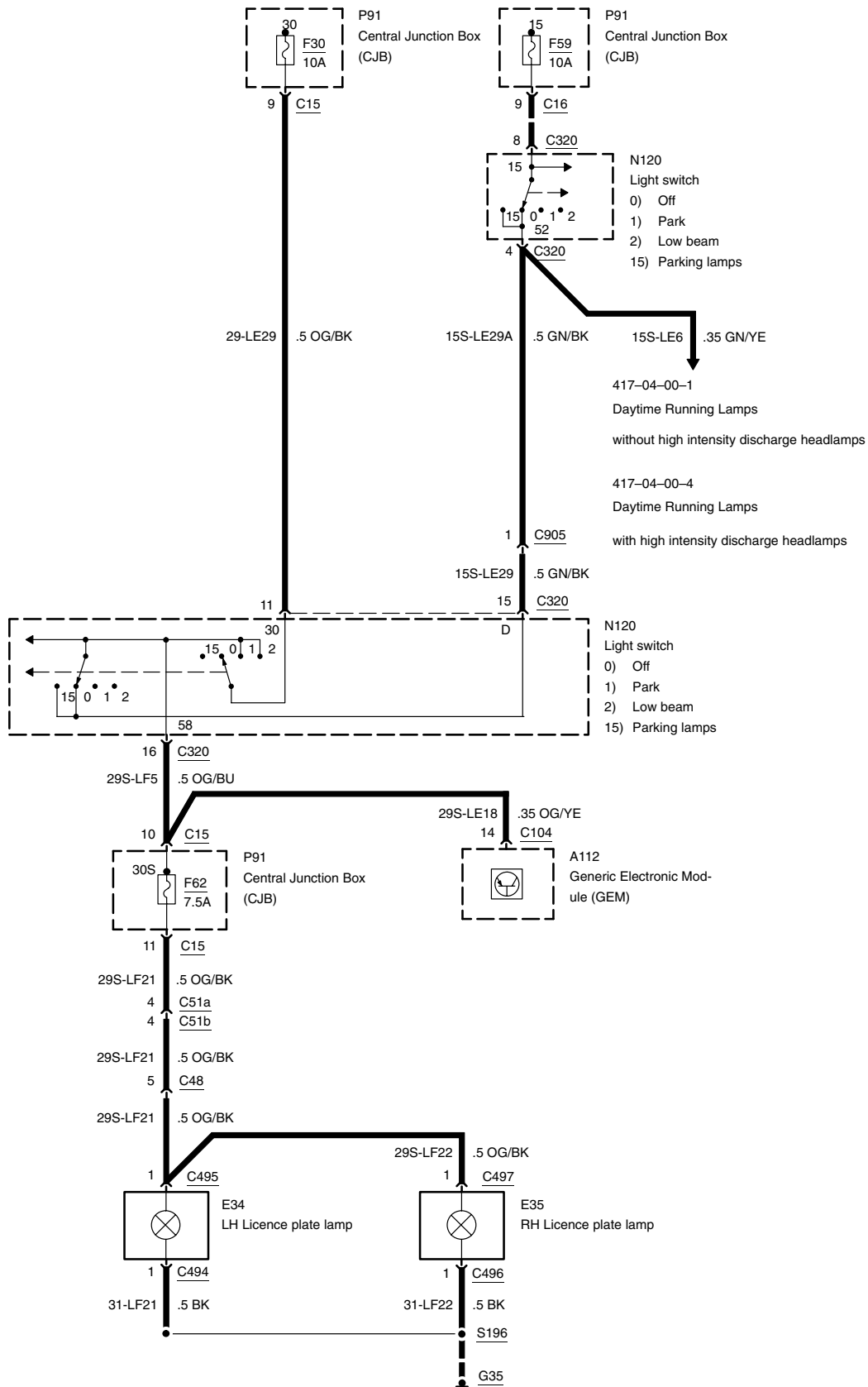




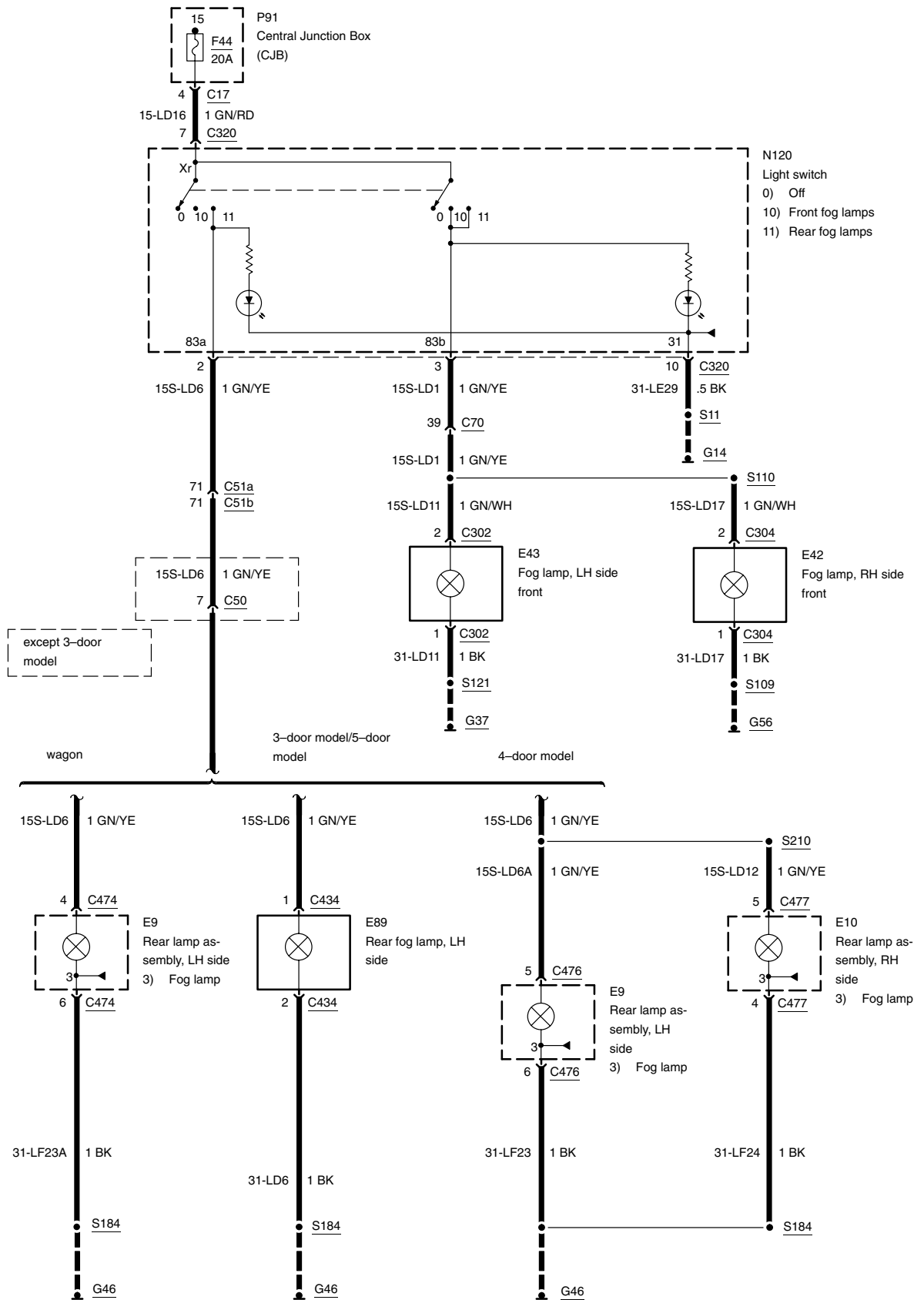
### Licence Plate Illumination, without daytime running lamps



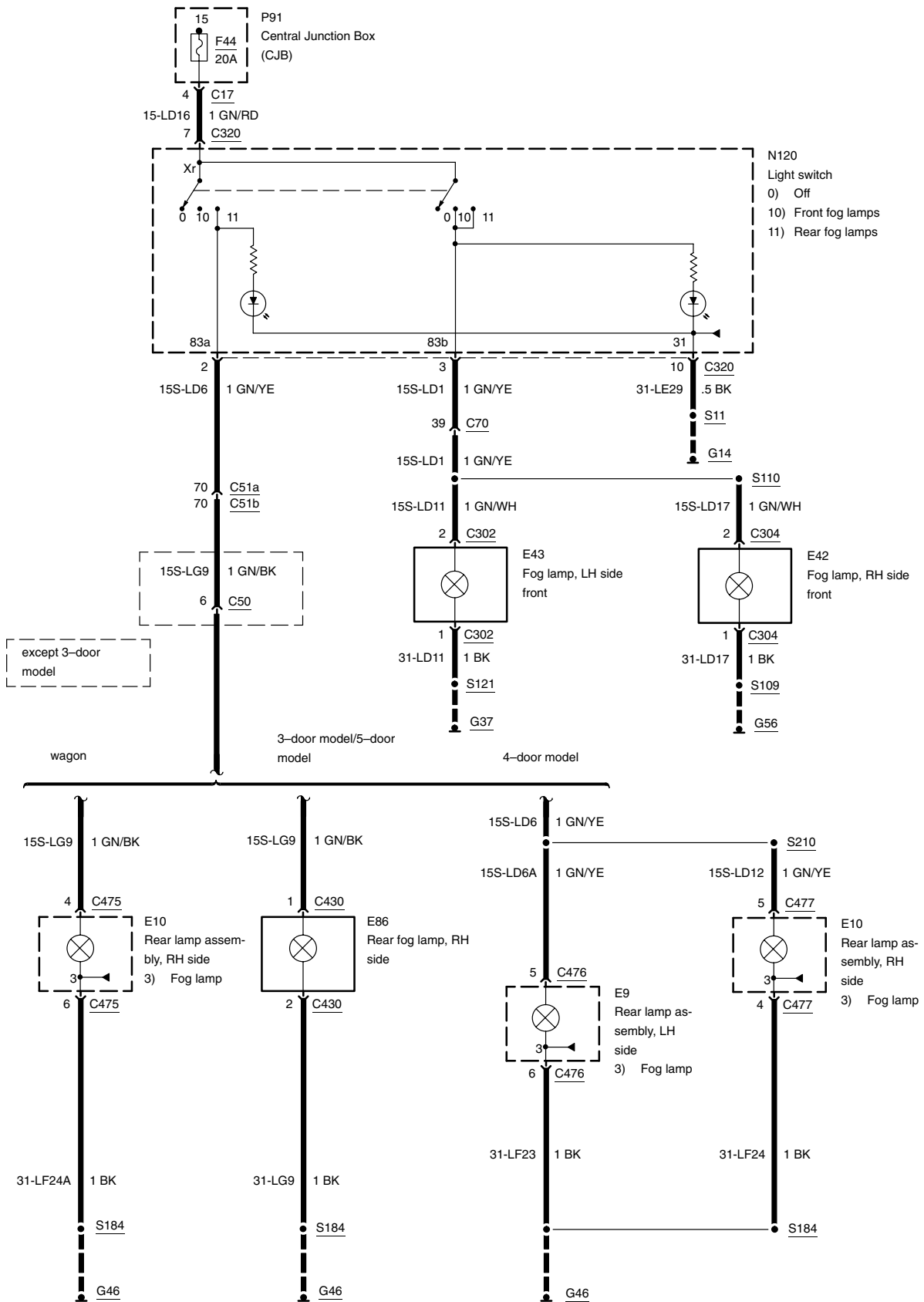
Licence Plate Illumination, with daytime running lamps



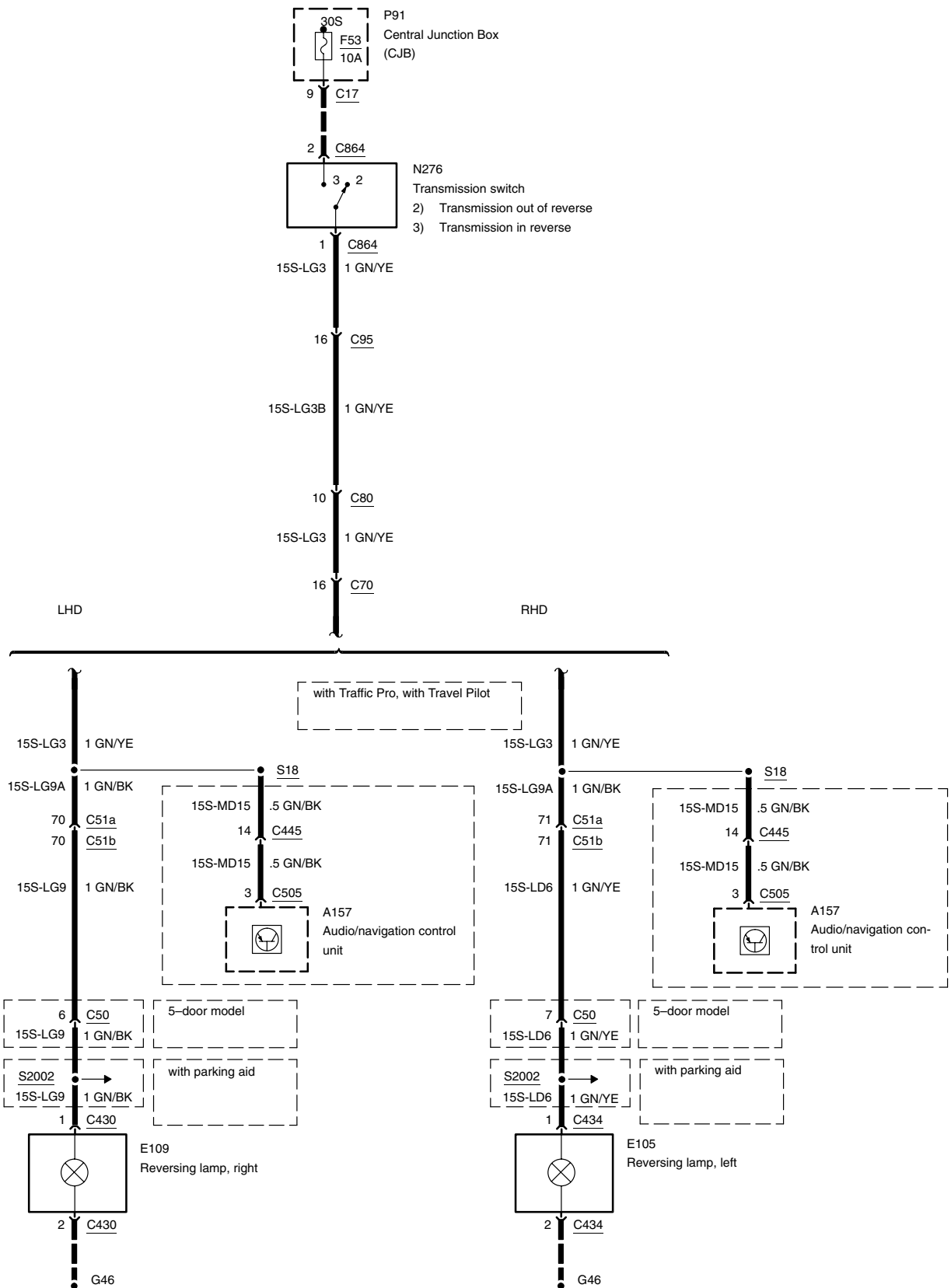
Fog lamps, LHD



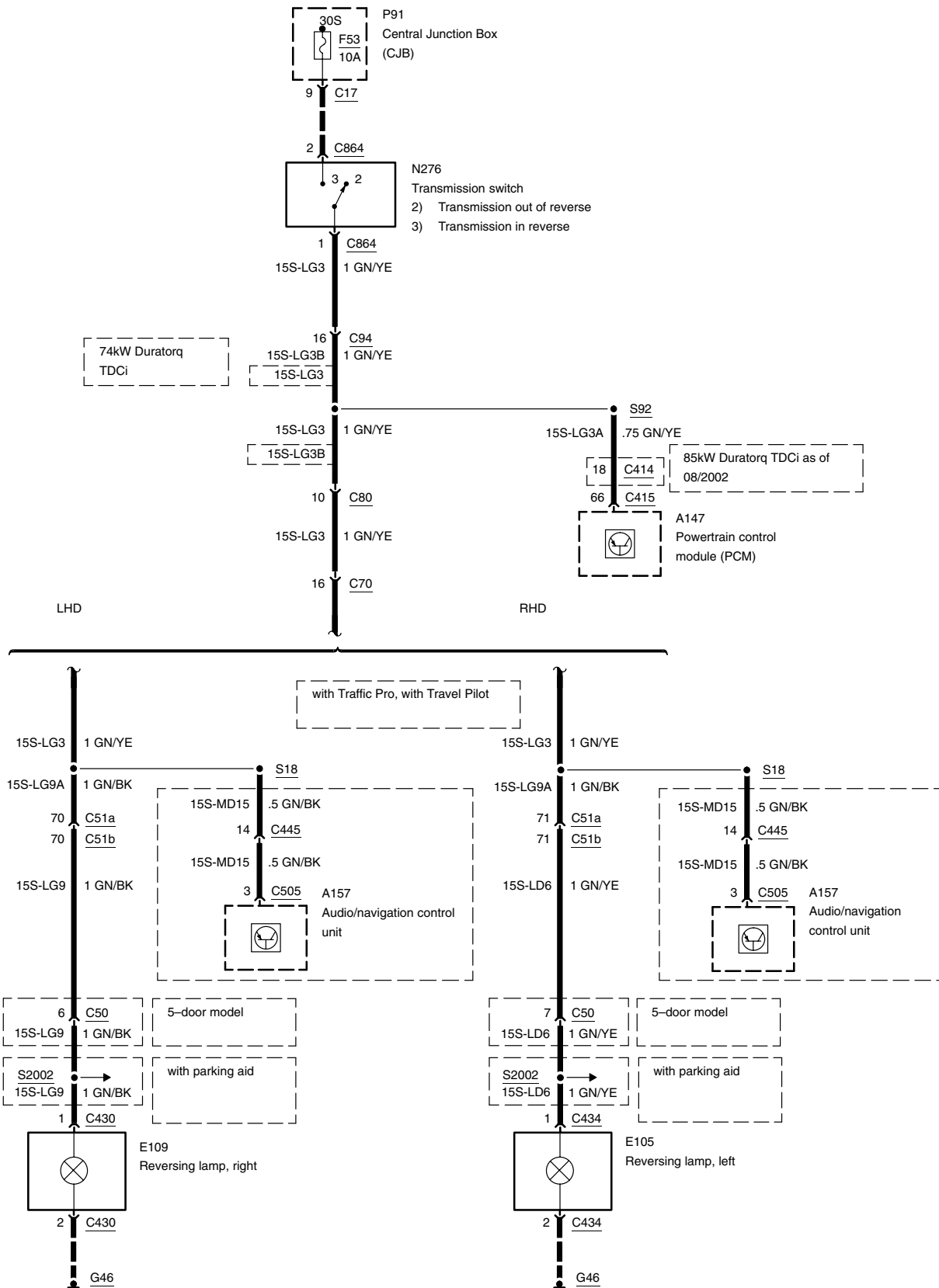
Fog lamps, RHD



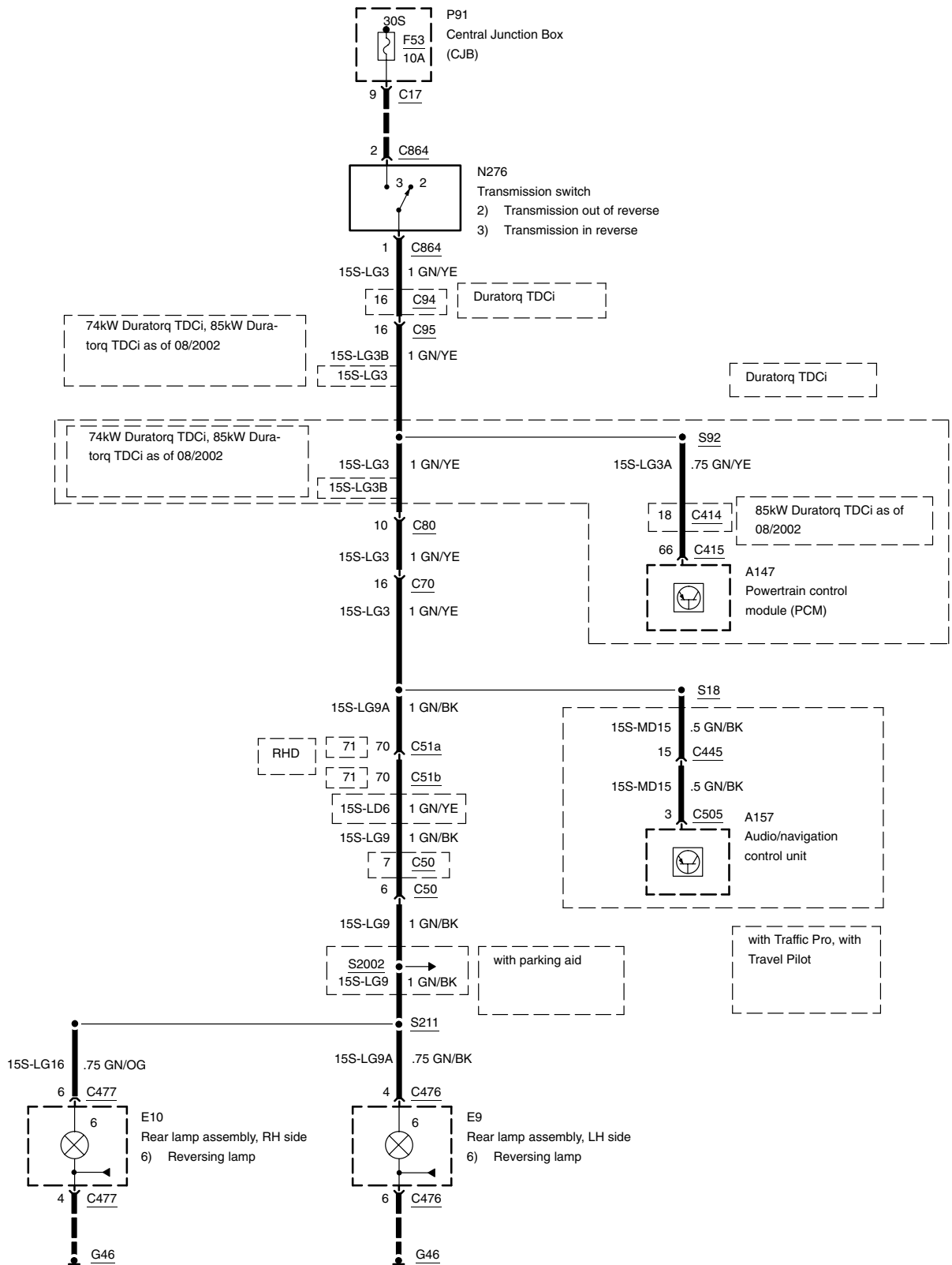
Backup Lamps, manual transmission, 3-door model/5-door model, except Duratorq TDCi



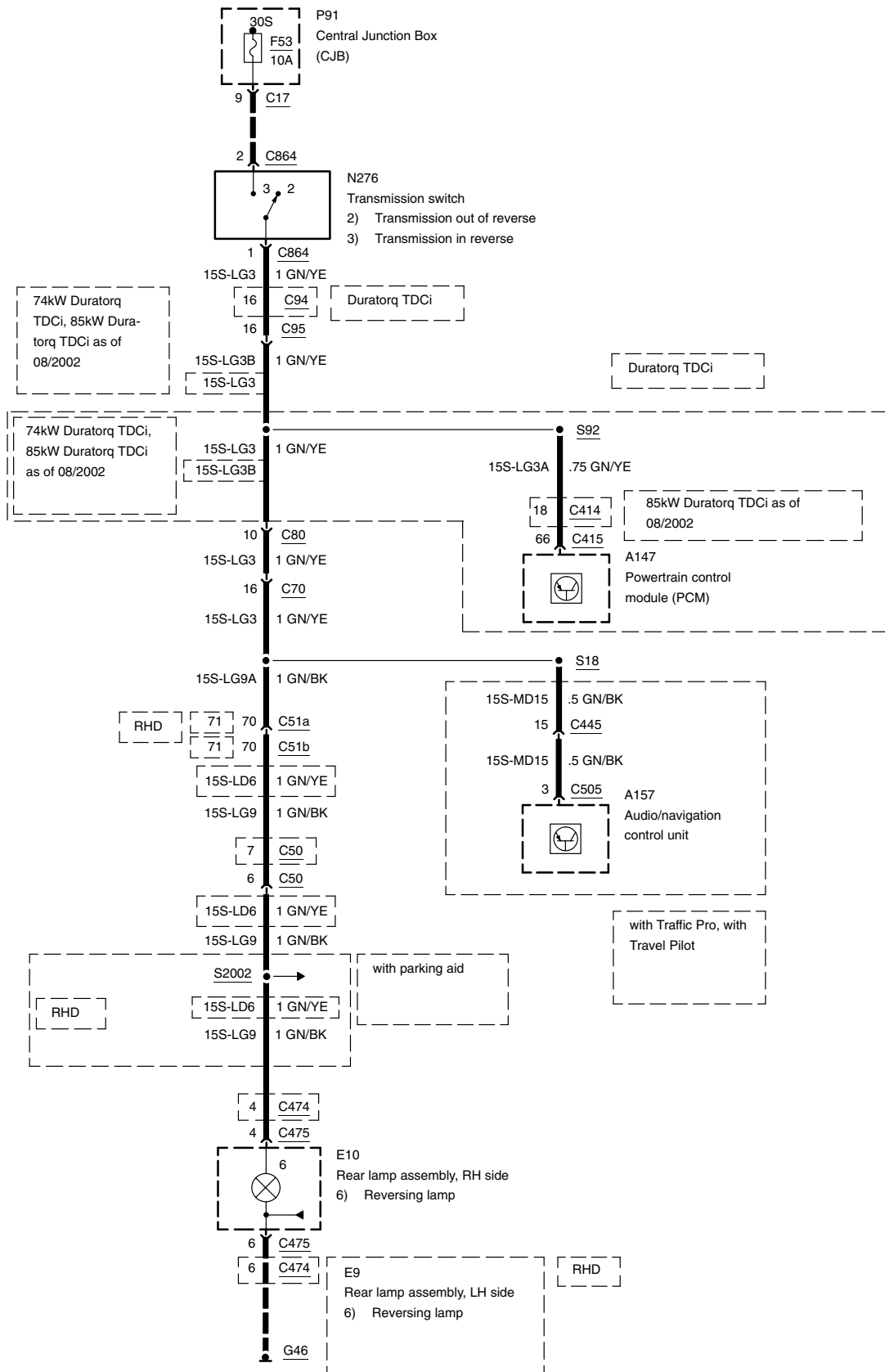
Backup Lamps, manual transmission, 3-door model/5-door model, Duratorq TDCi



Backup Lamps, manual transmission, 4-door model

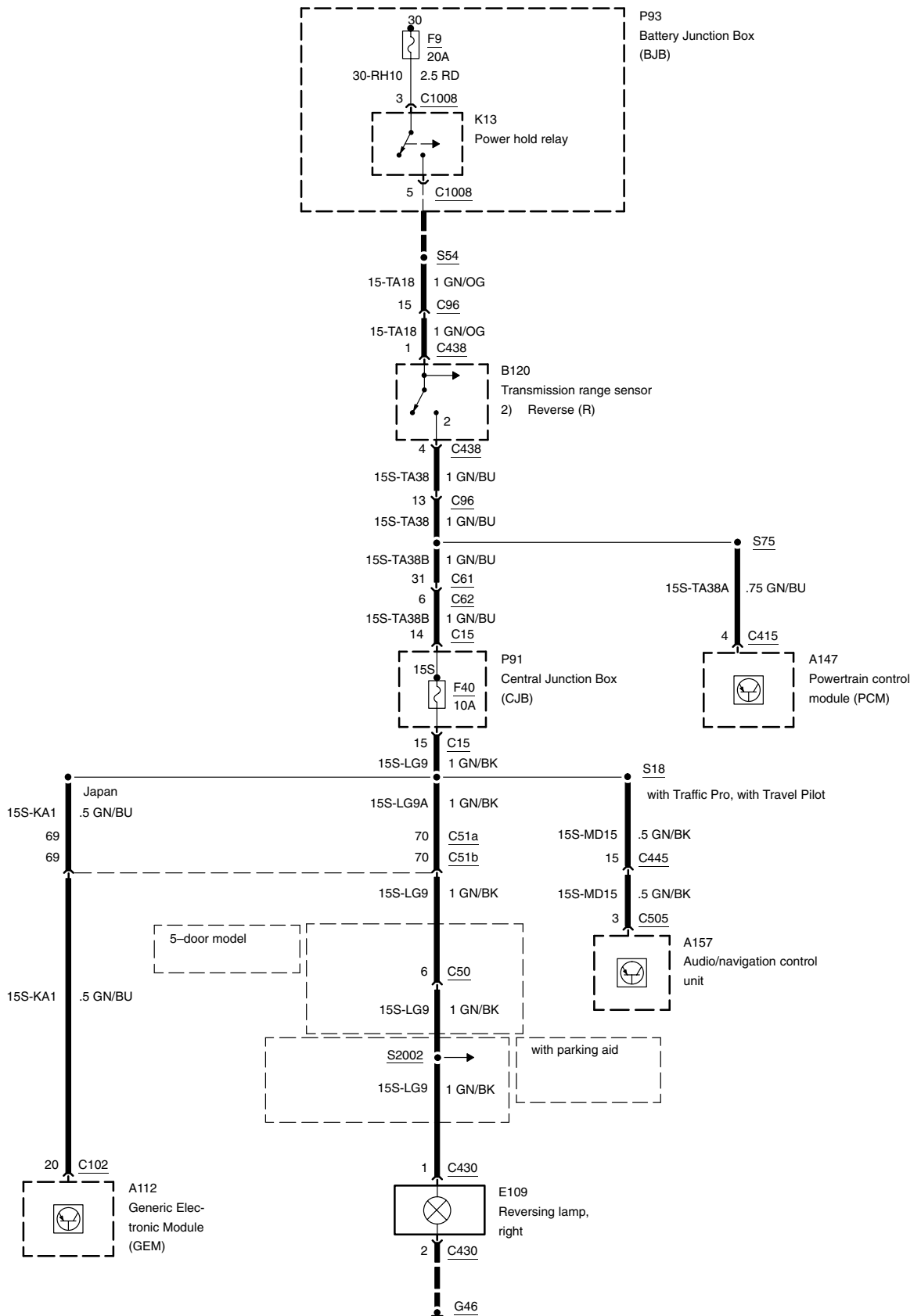


Backup Lamps, manual transmission, wagon



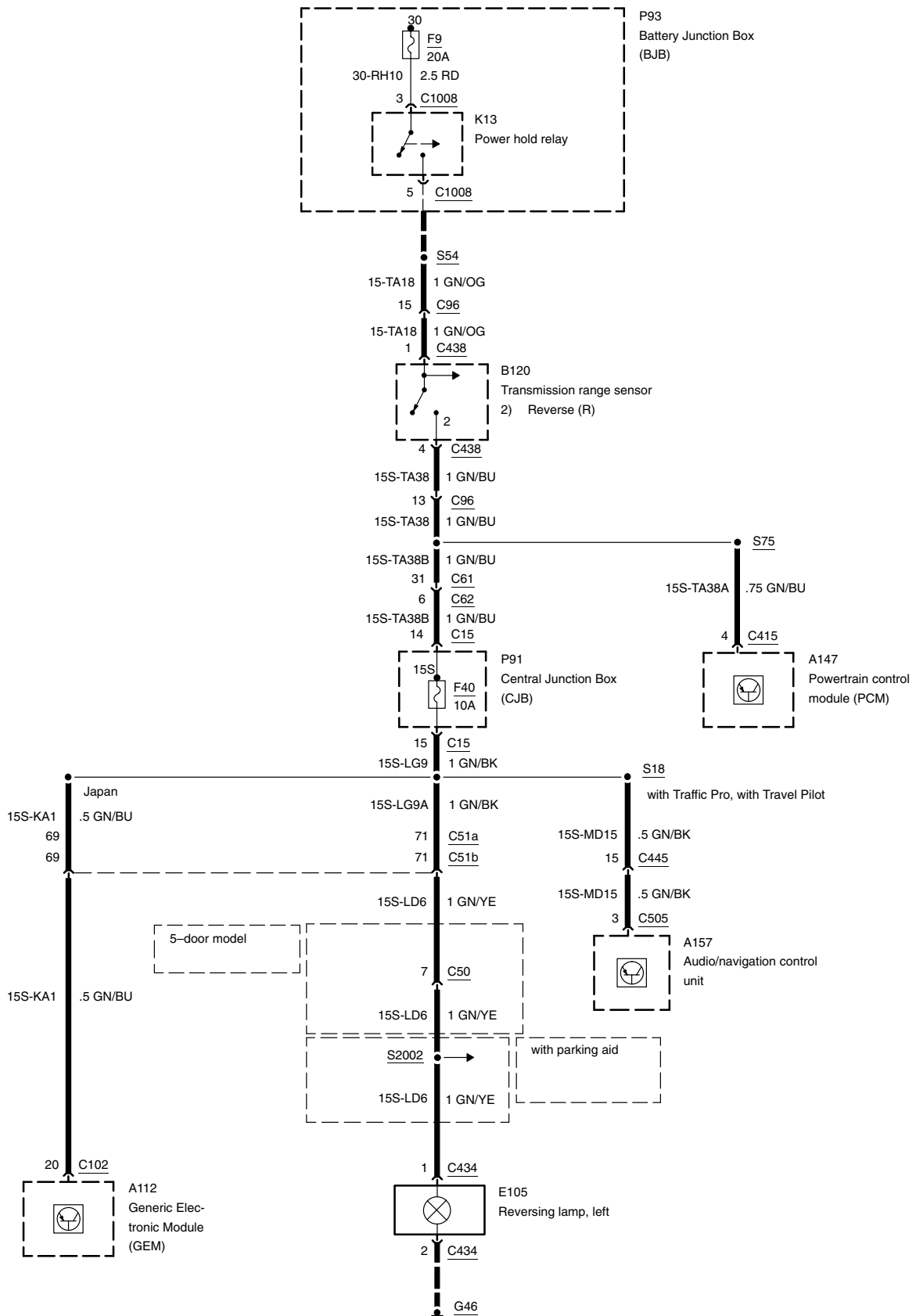


Backup Lamps, automatic transmission, 3-door model/5-door model, LHD -36

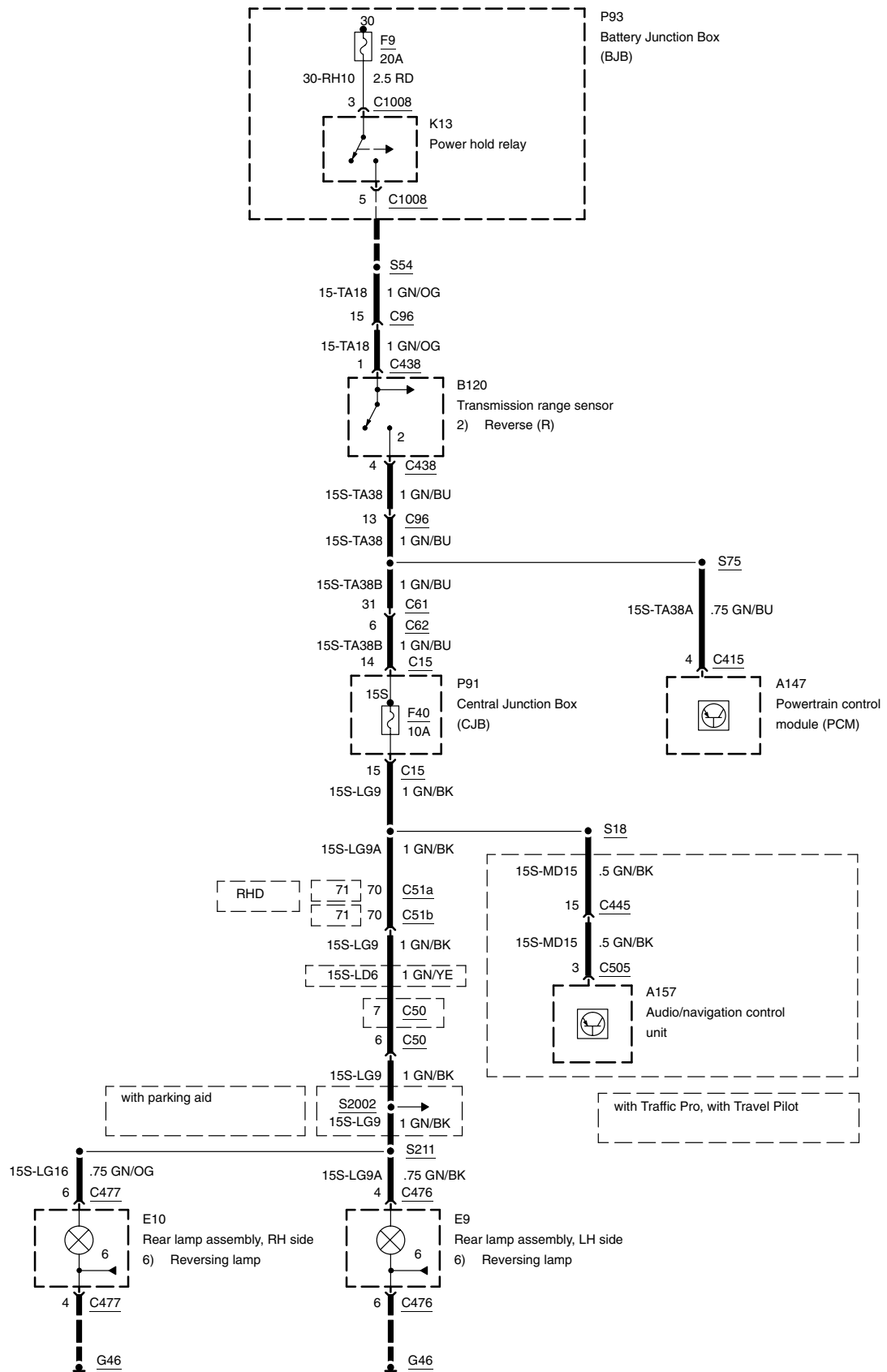


Backup Lamps, automatic transmission, 3-door model/5-door model, RHD

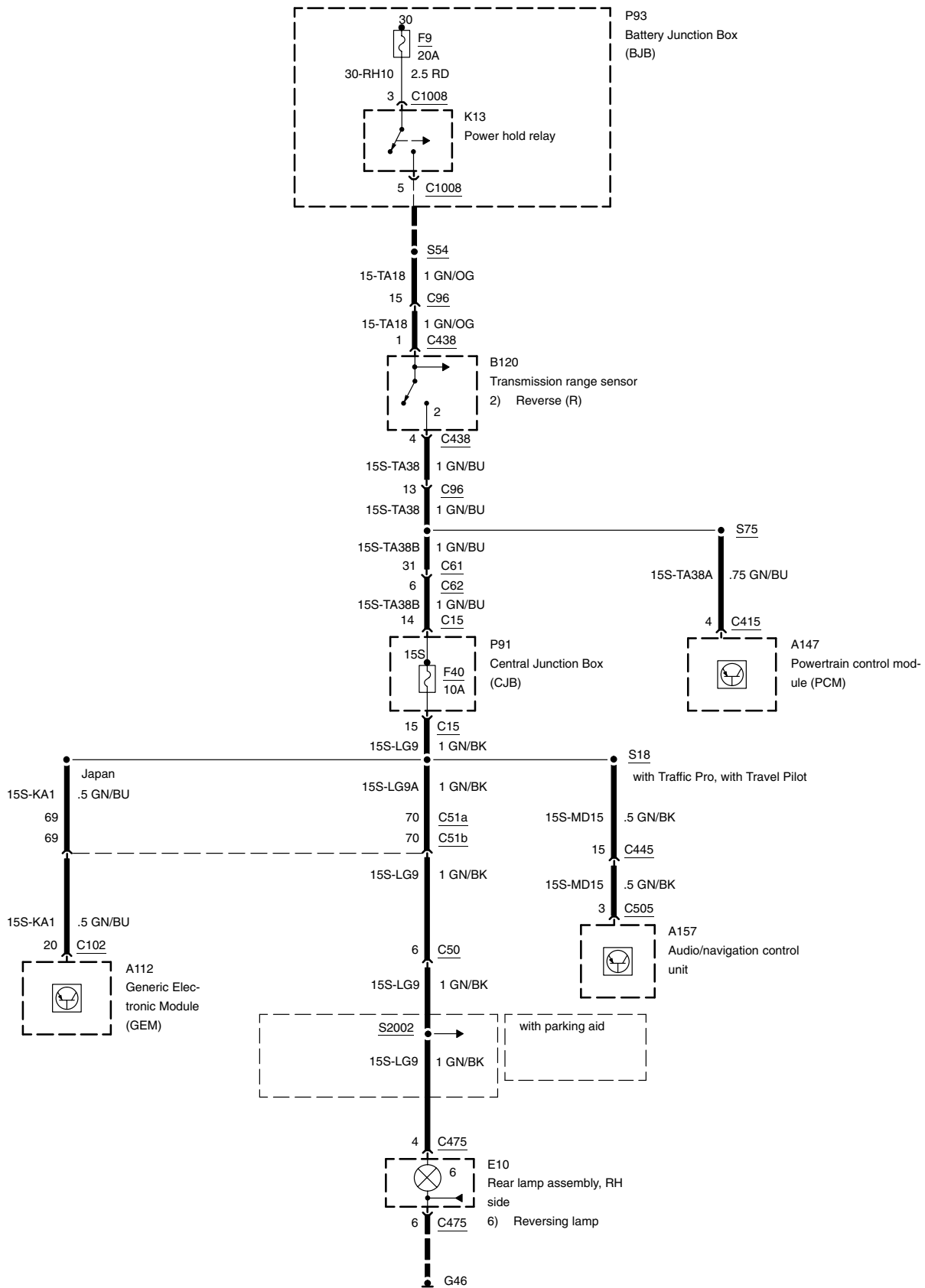
-37



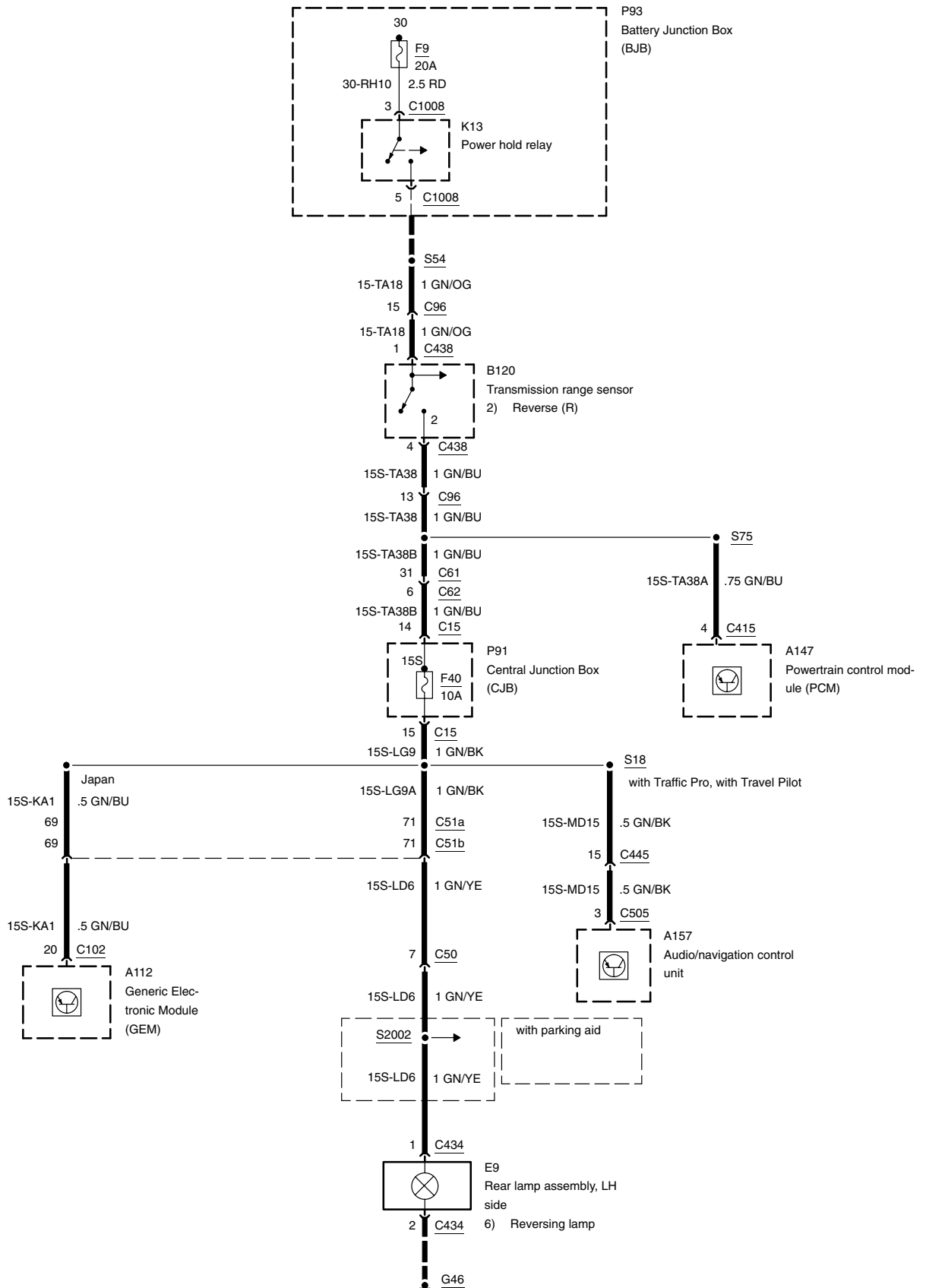
### Backup Lamps, automatic transmission, 4-door model



Backup Lamps, automatic transmission, wagon, LHD

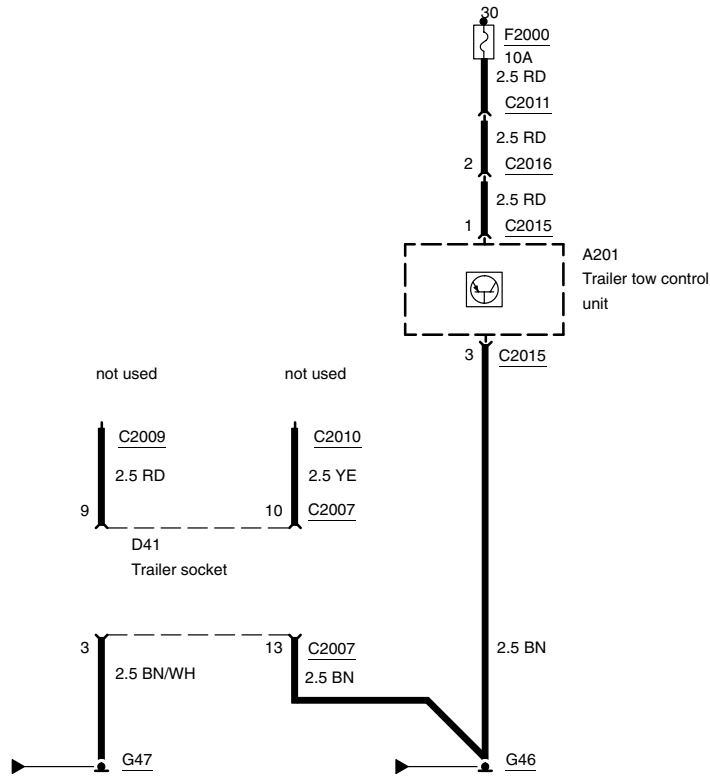


Backup Lamps, automatic transmission, wagon, RHD



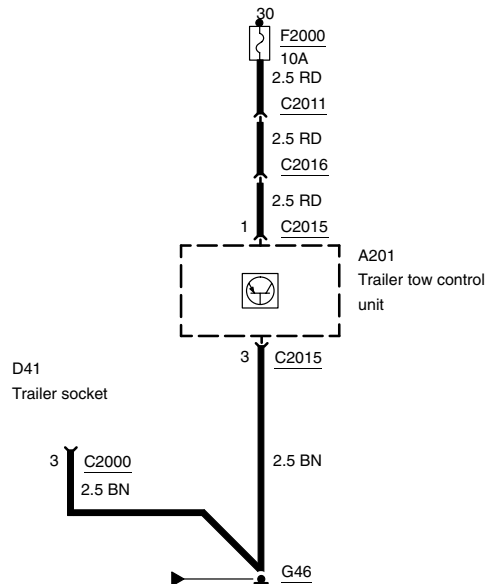
Trailer socket, with 13-pin trailer socket

-41

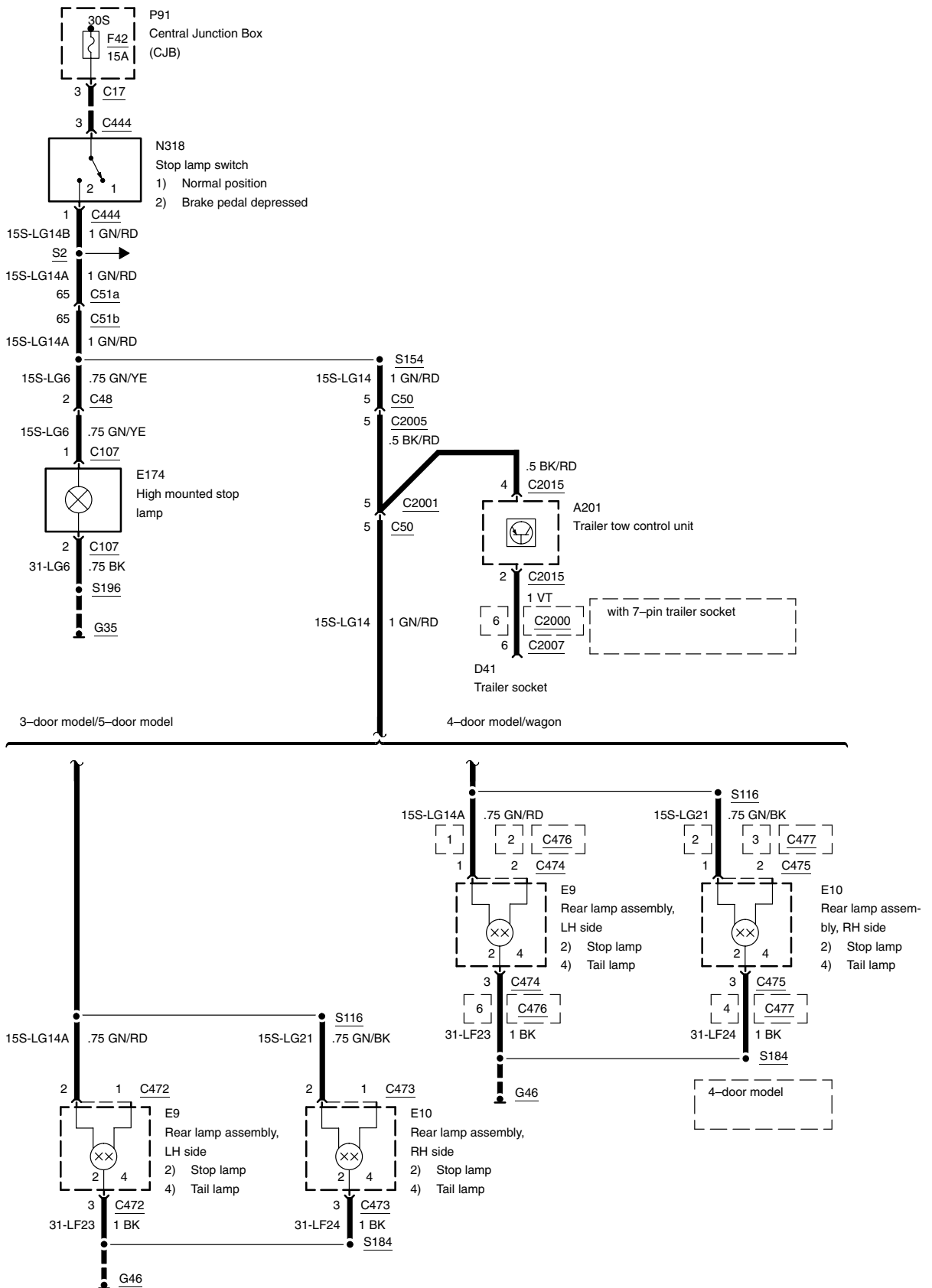


Trailer socket, with 7-pin trailer socket

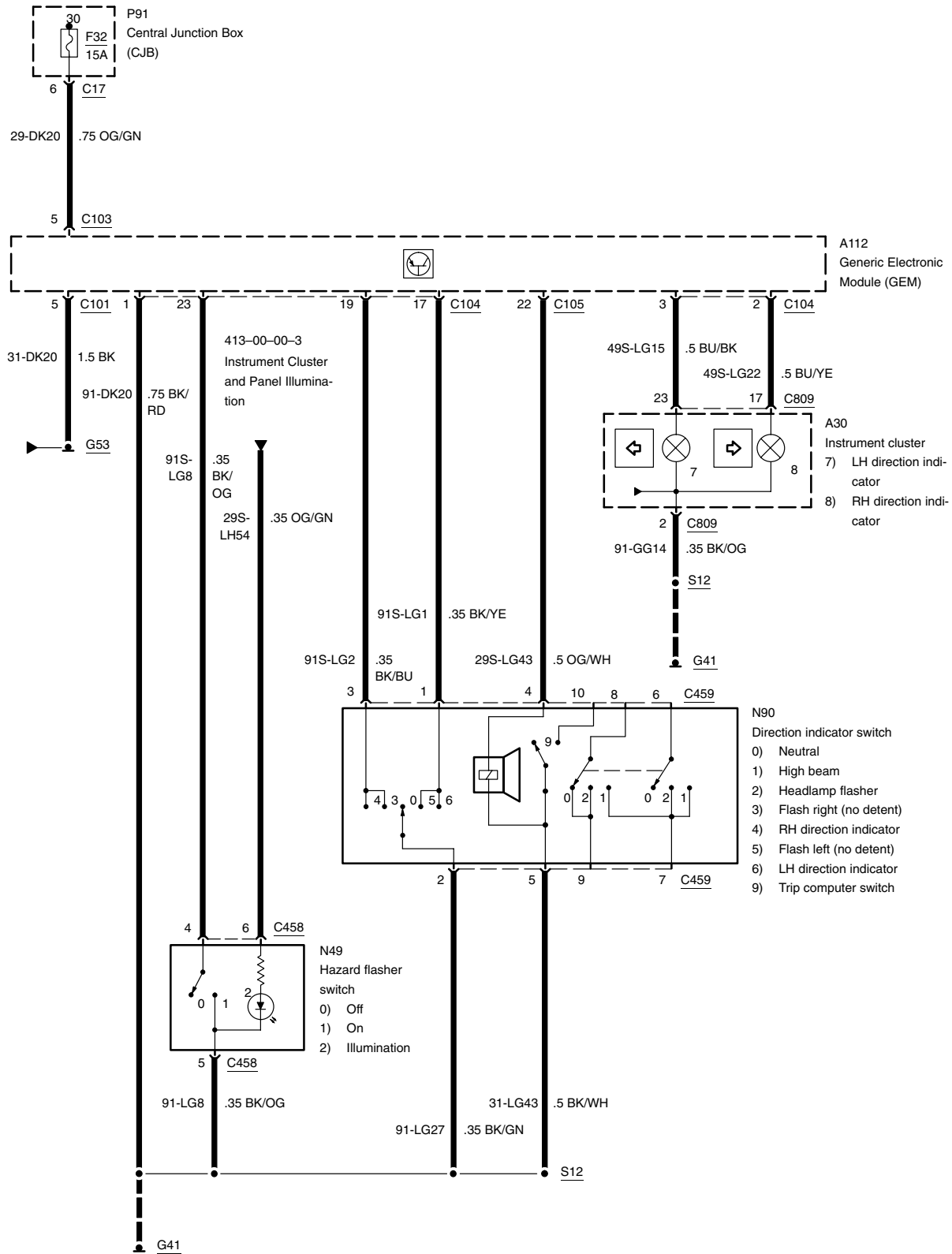
-42



Trailer socket, Stop Lamps

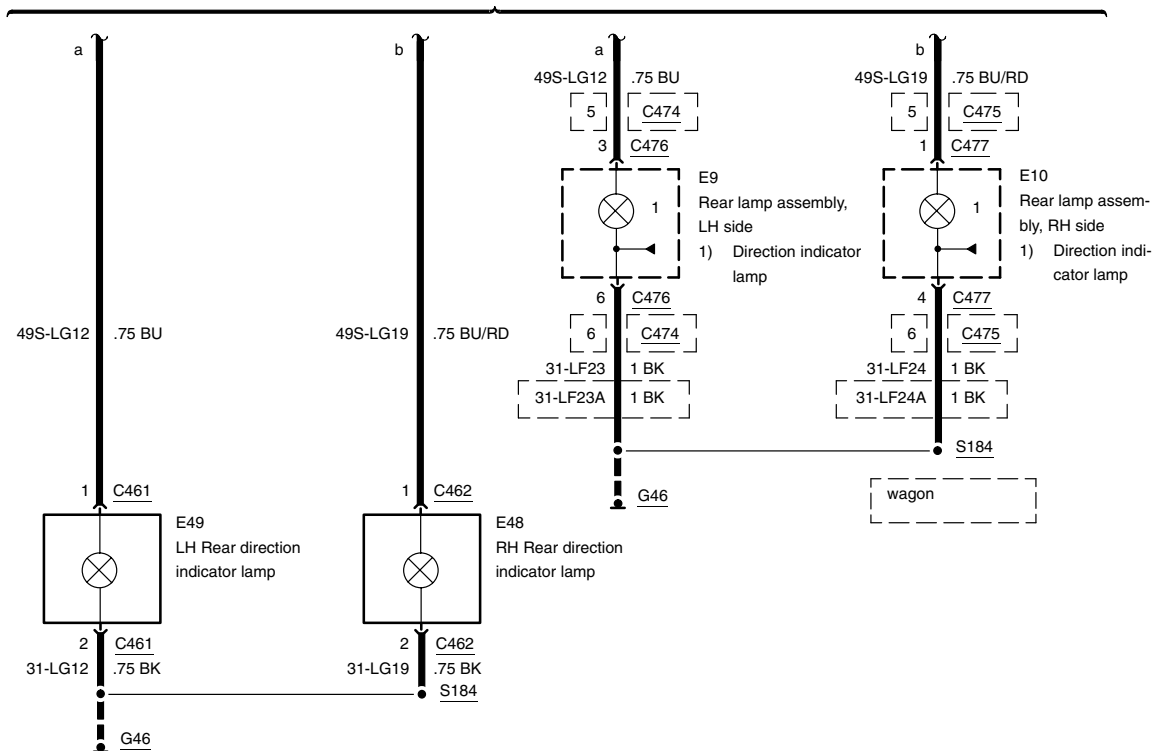
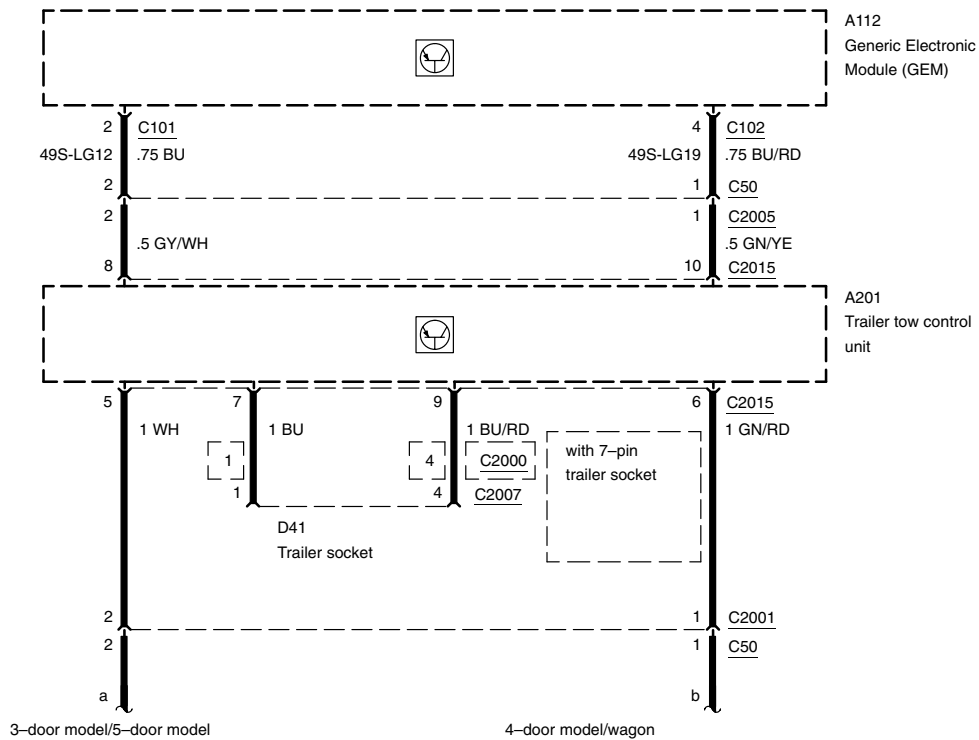


Trailer socket, Turn Indicating Lamps

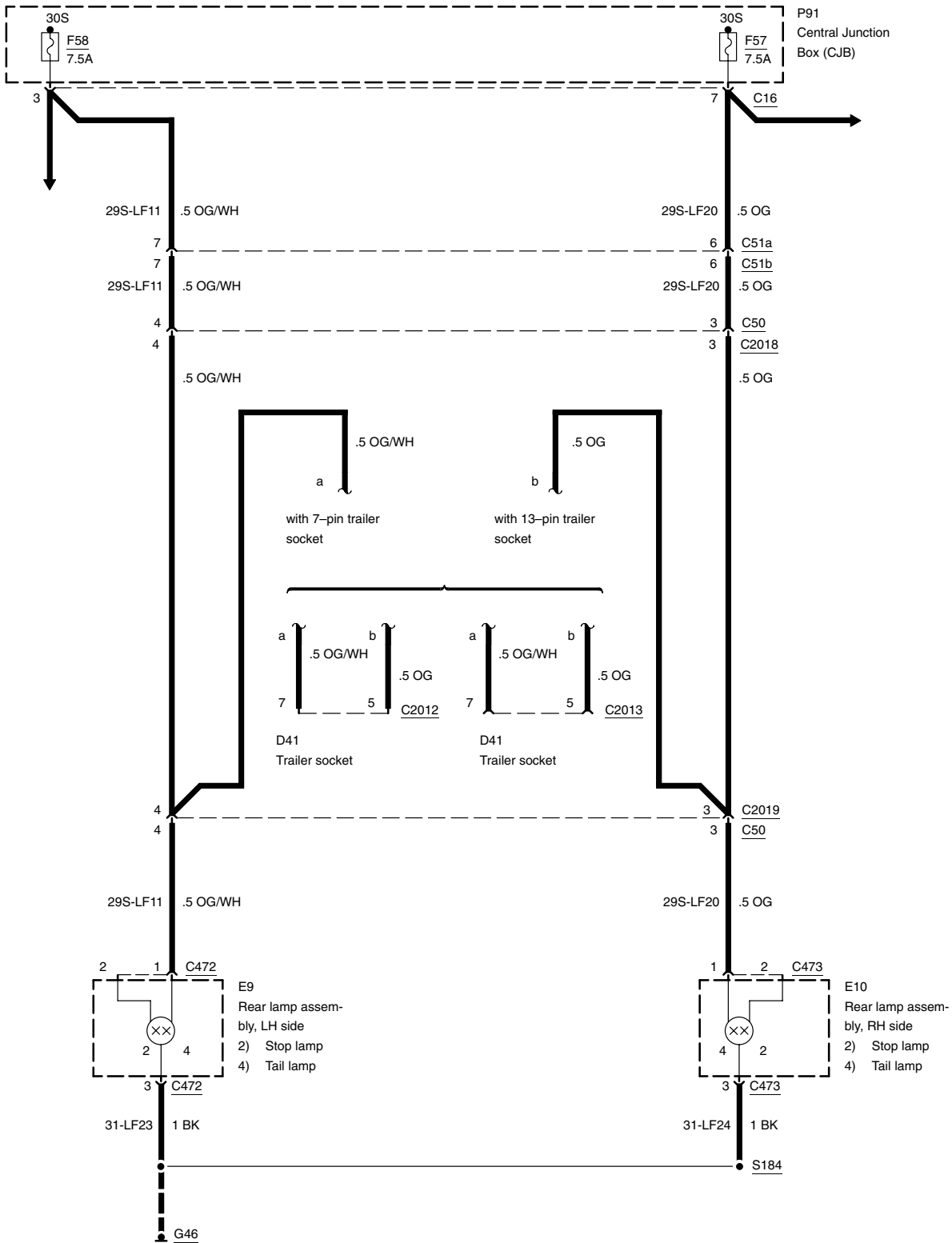




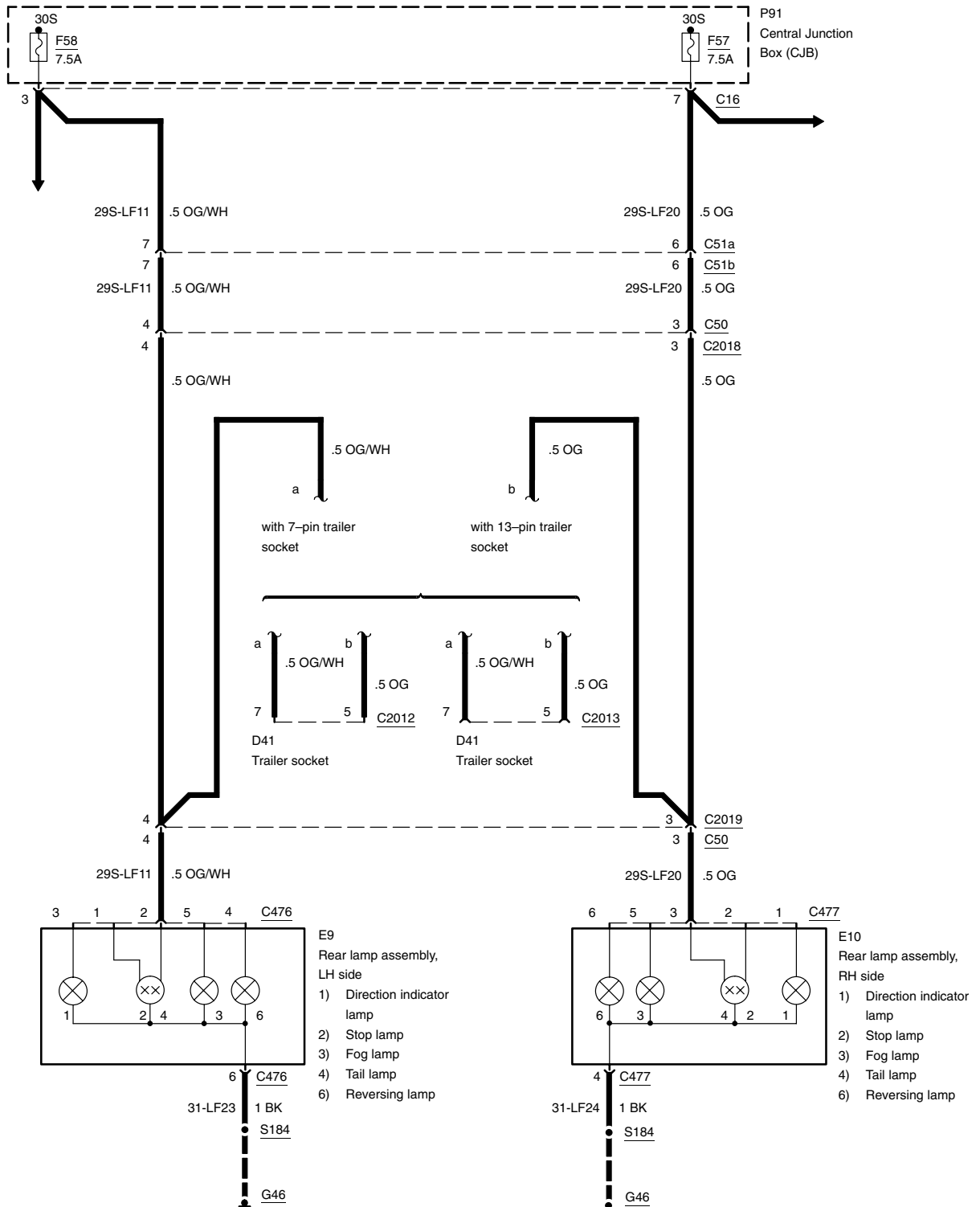
Trailer socket, Turn Indicating Lamps



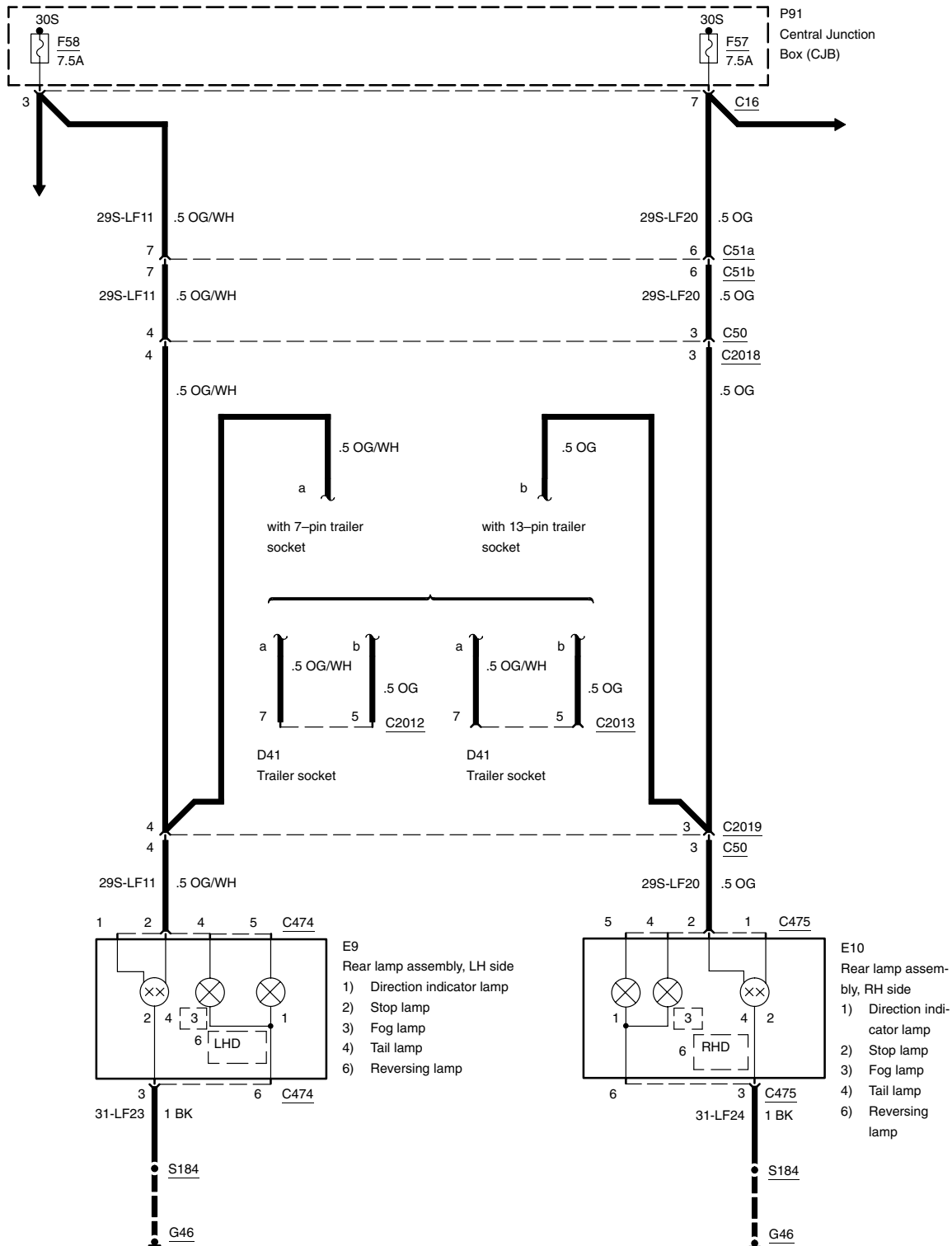
Trailer socket, Position and Parking Lamps, 3-door model, 5-door model



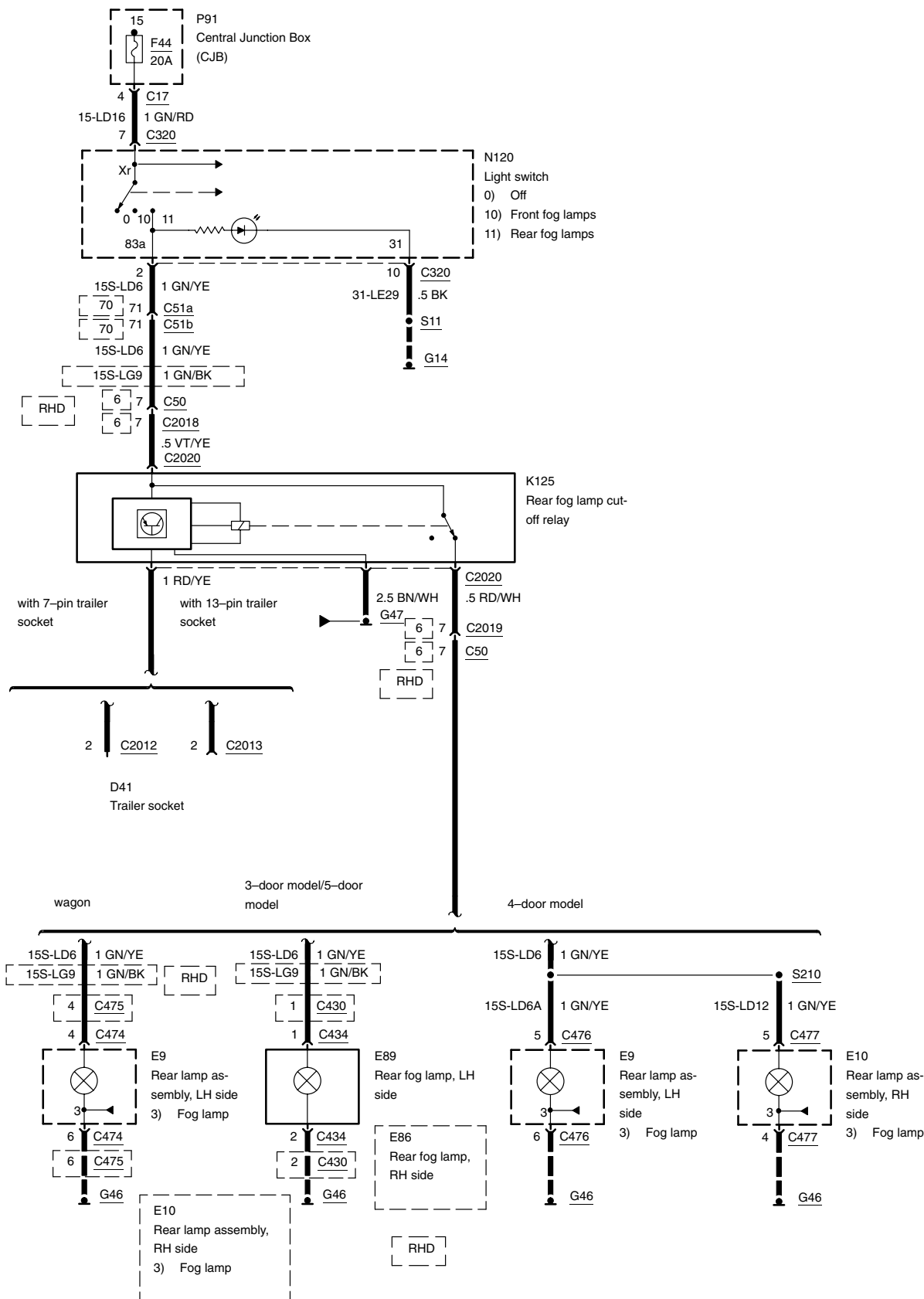
Trailer socket, Position and Parking Lamps, 4-door model



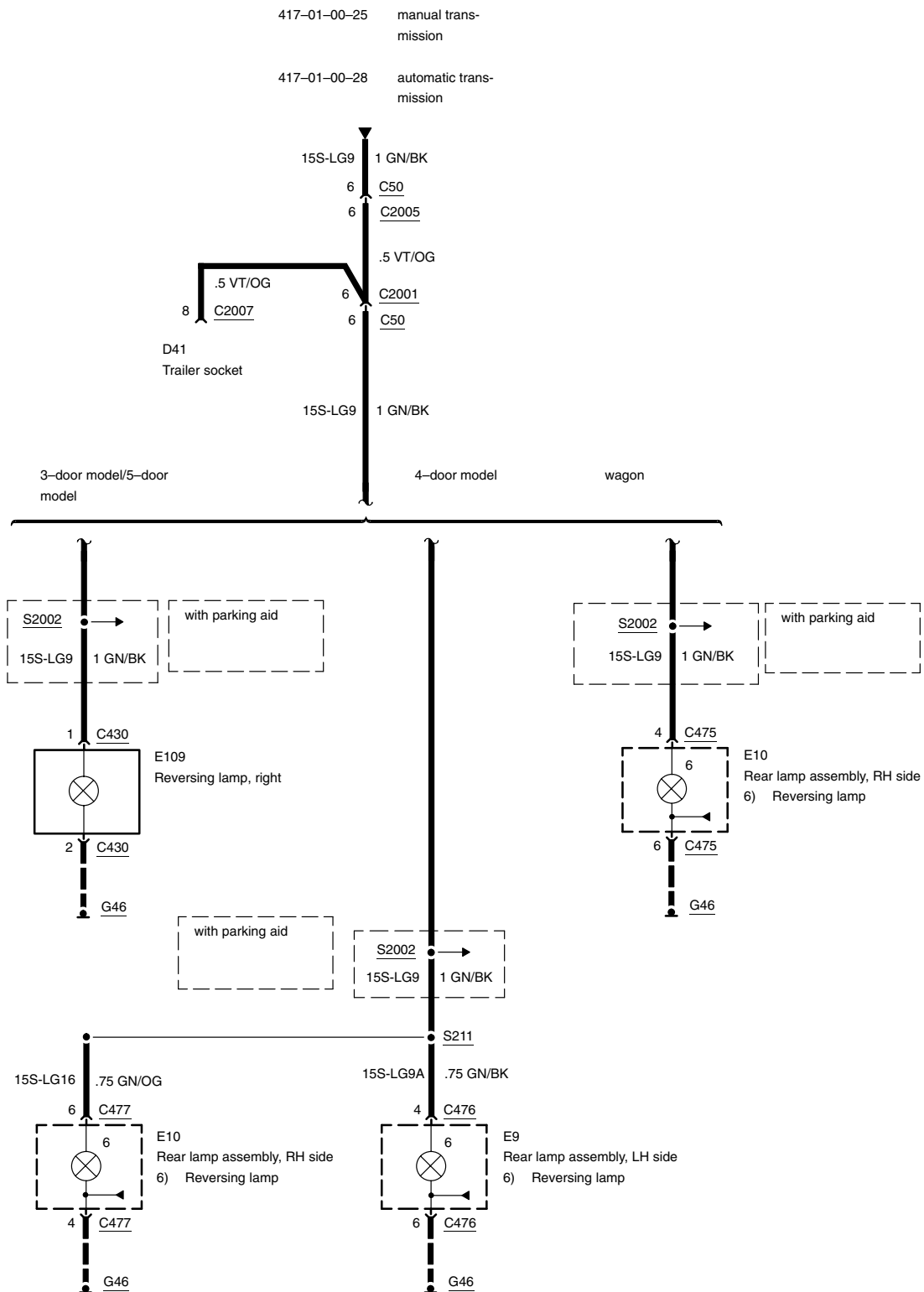
Trailer socket, Position and Parking Lamps, wagon



Trailer socket, Fog lamps



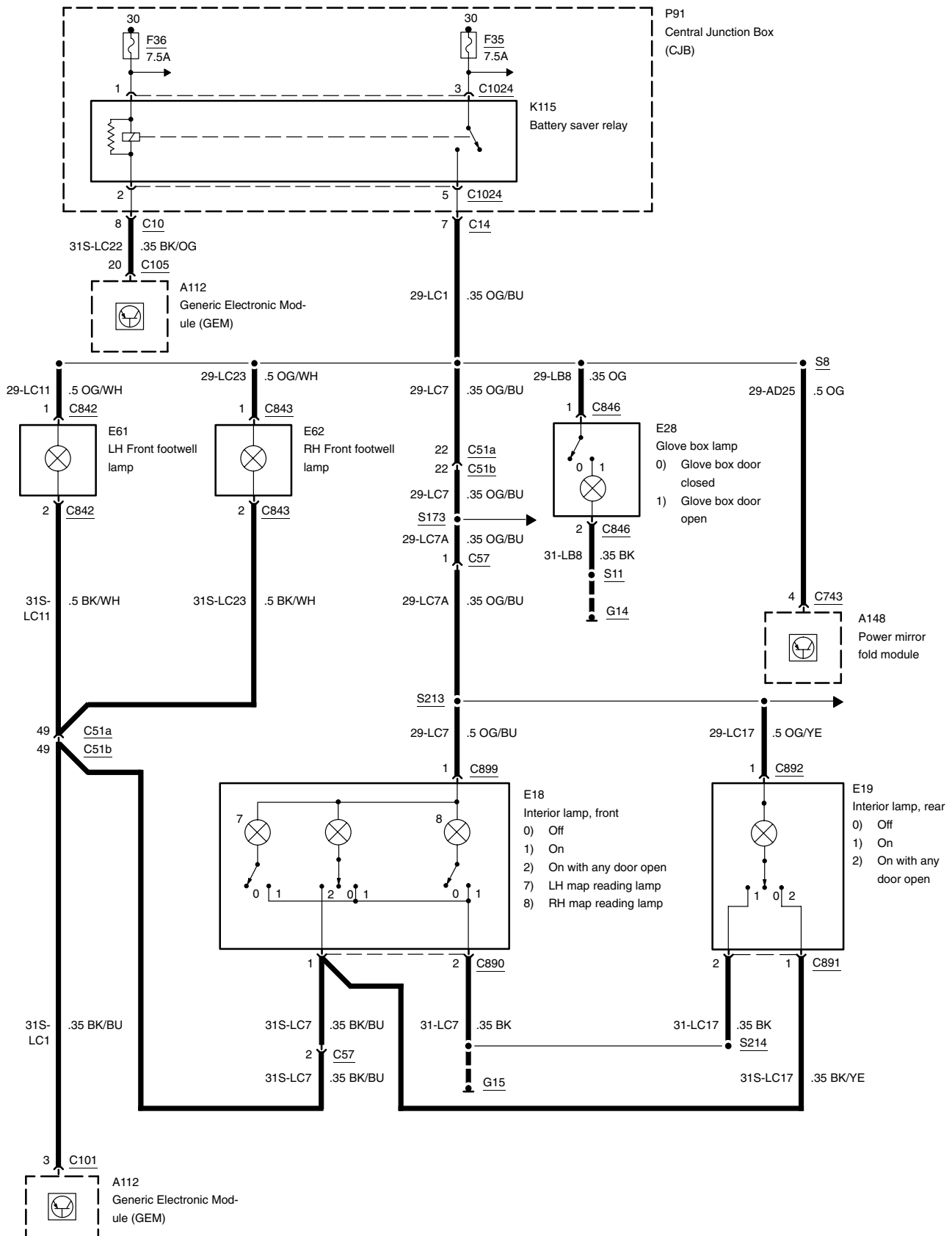
Trailer socket, Backup Lamps, with 13-pin trailer socket





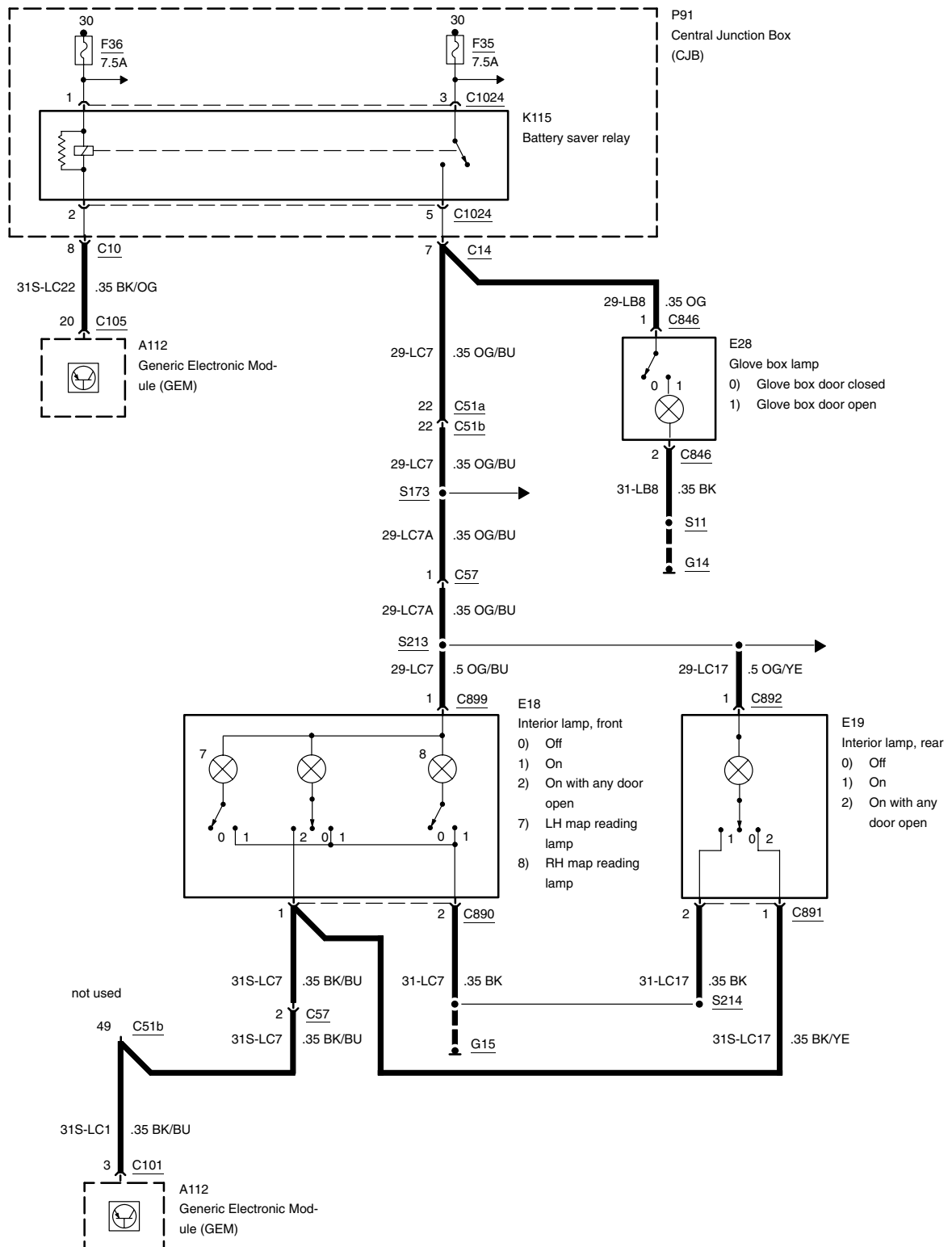
with footwell lamp

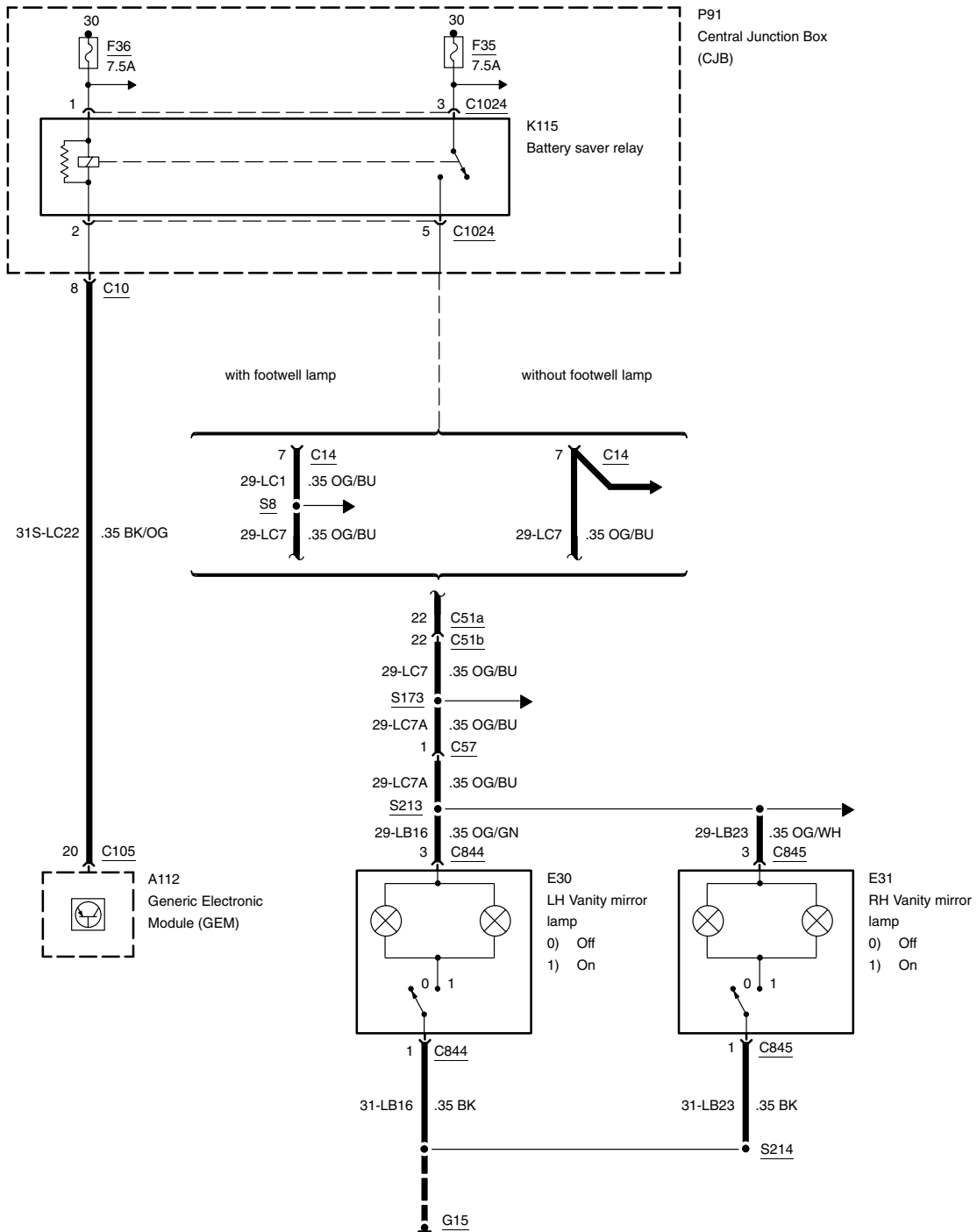
-1

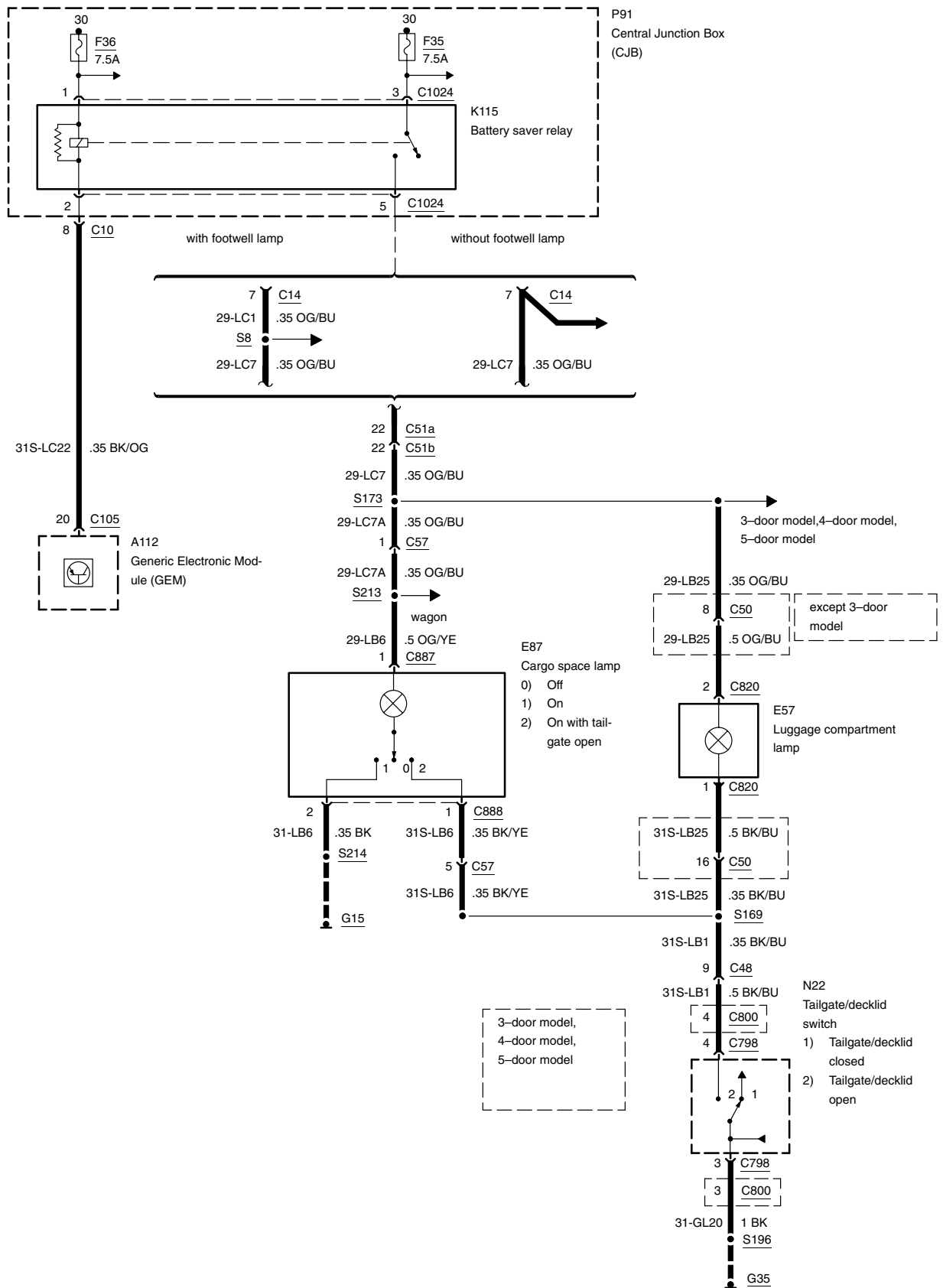




without footwell lamp

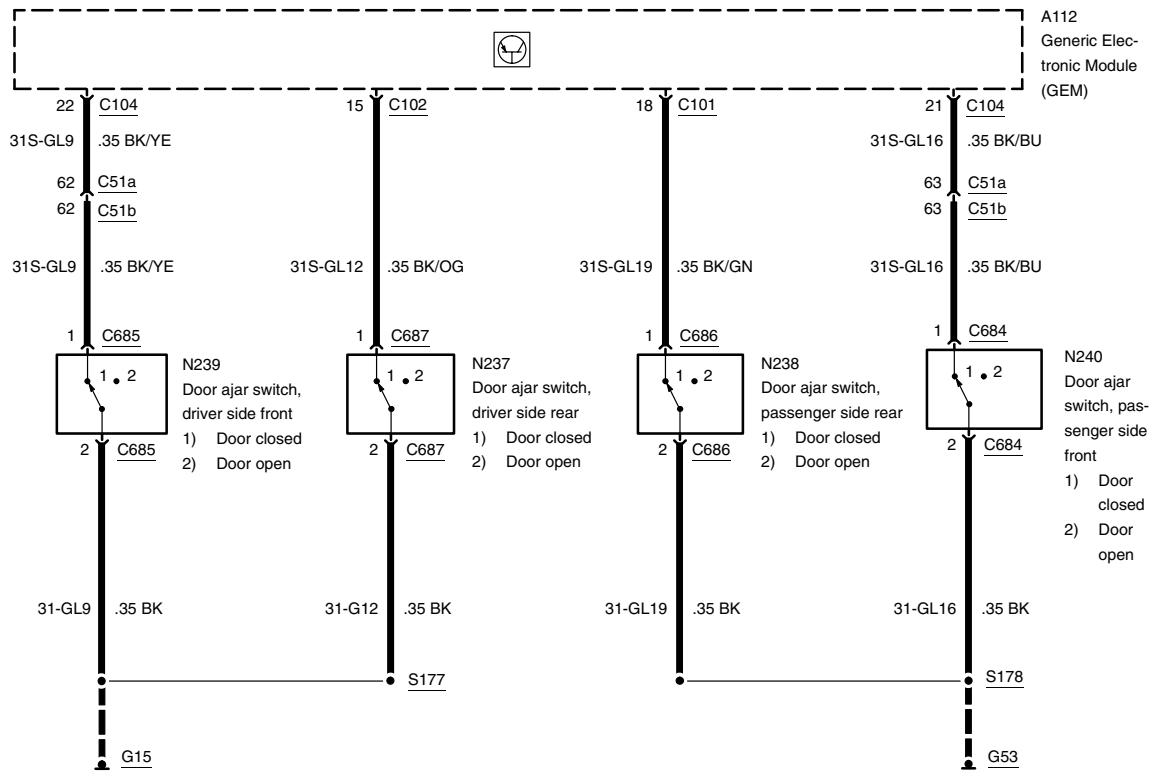






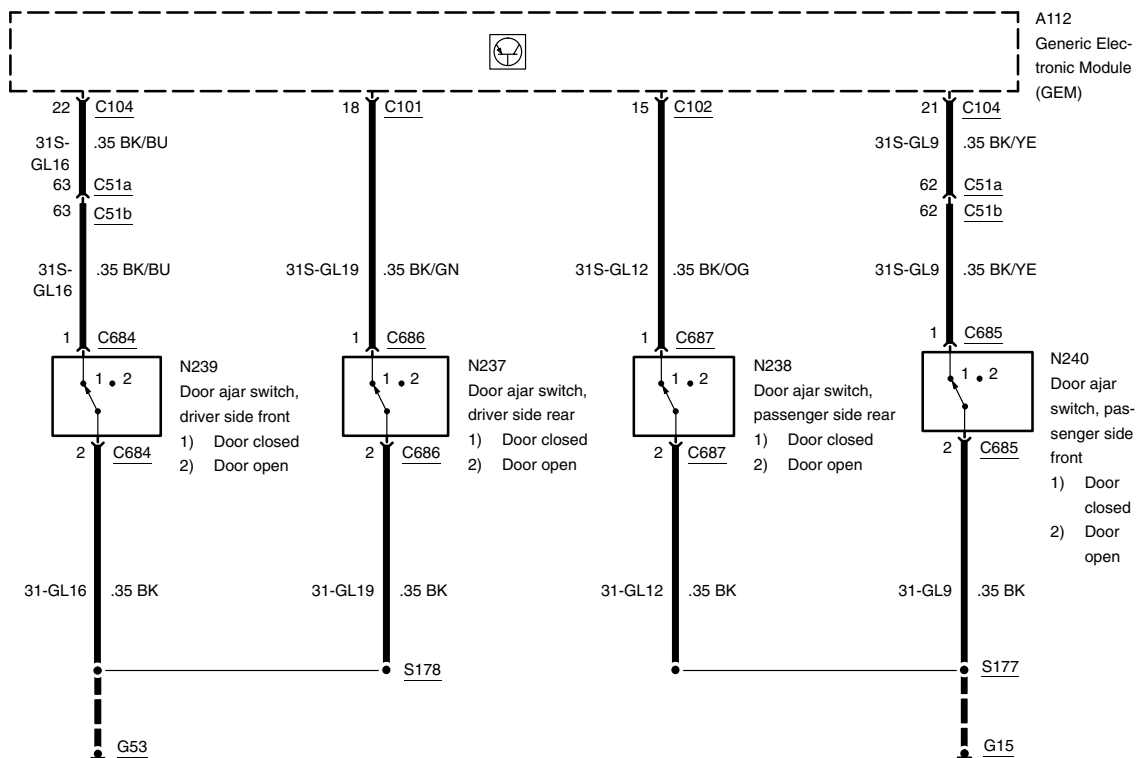
LHD

-5



RHD

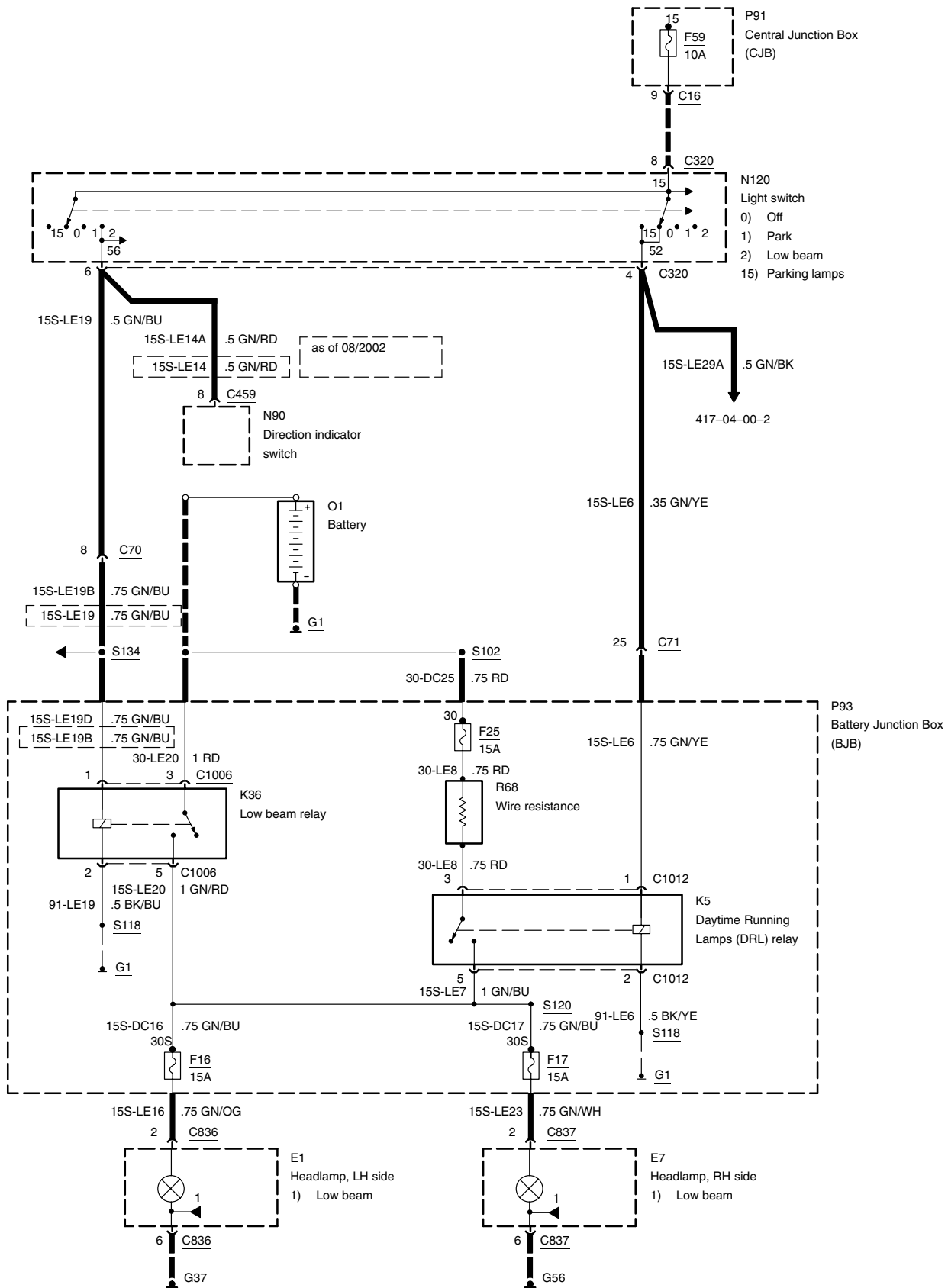
-6



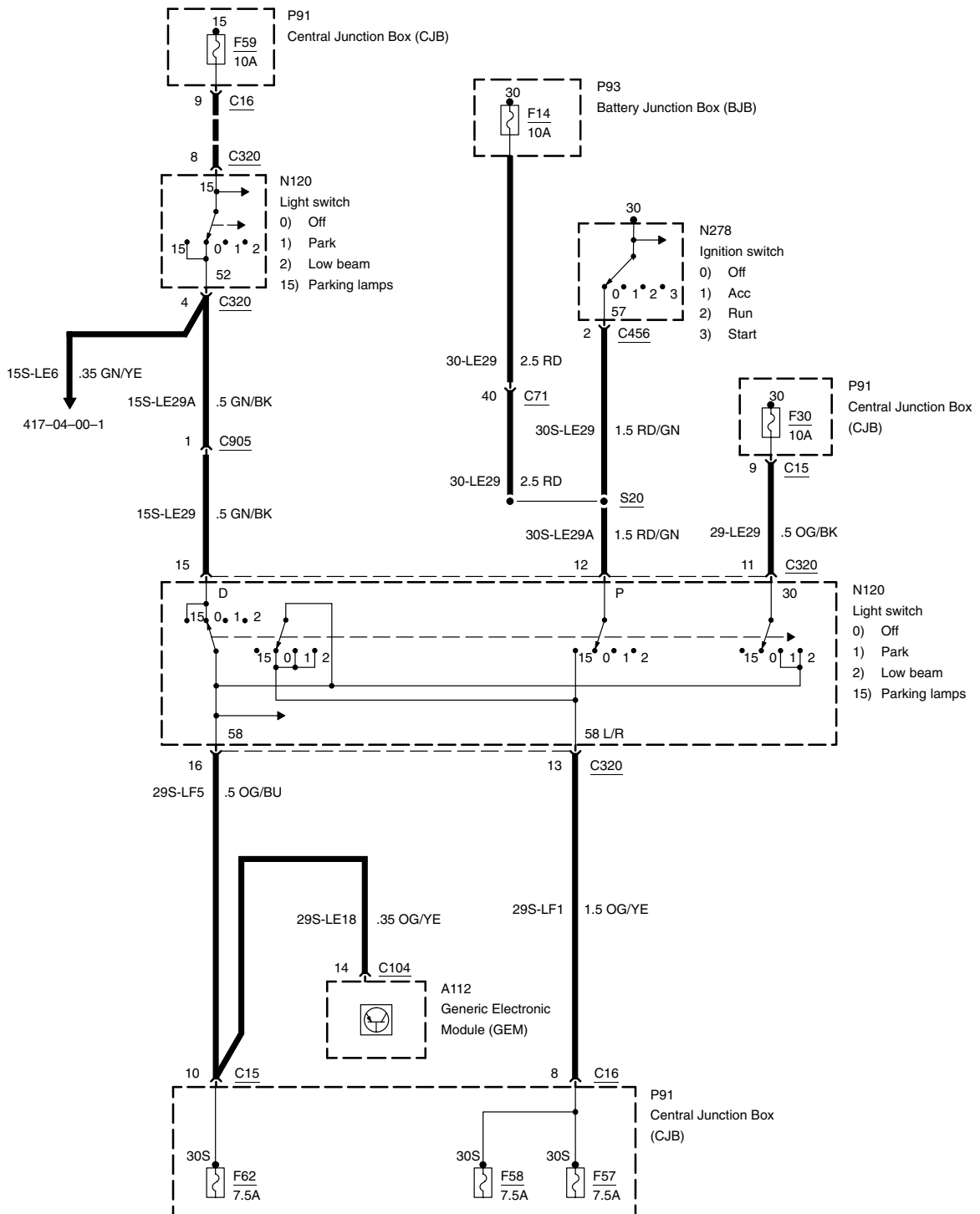


Low beam, without high intensity discharge headlamps

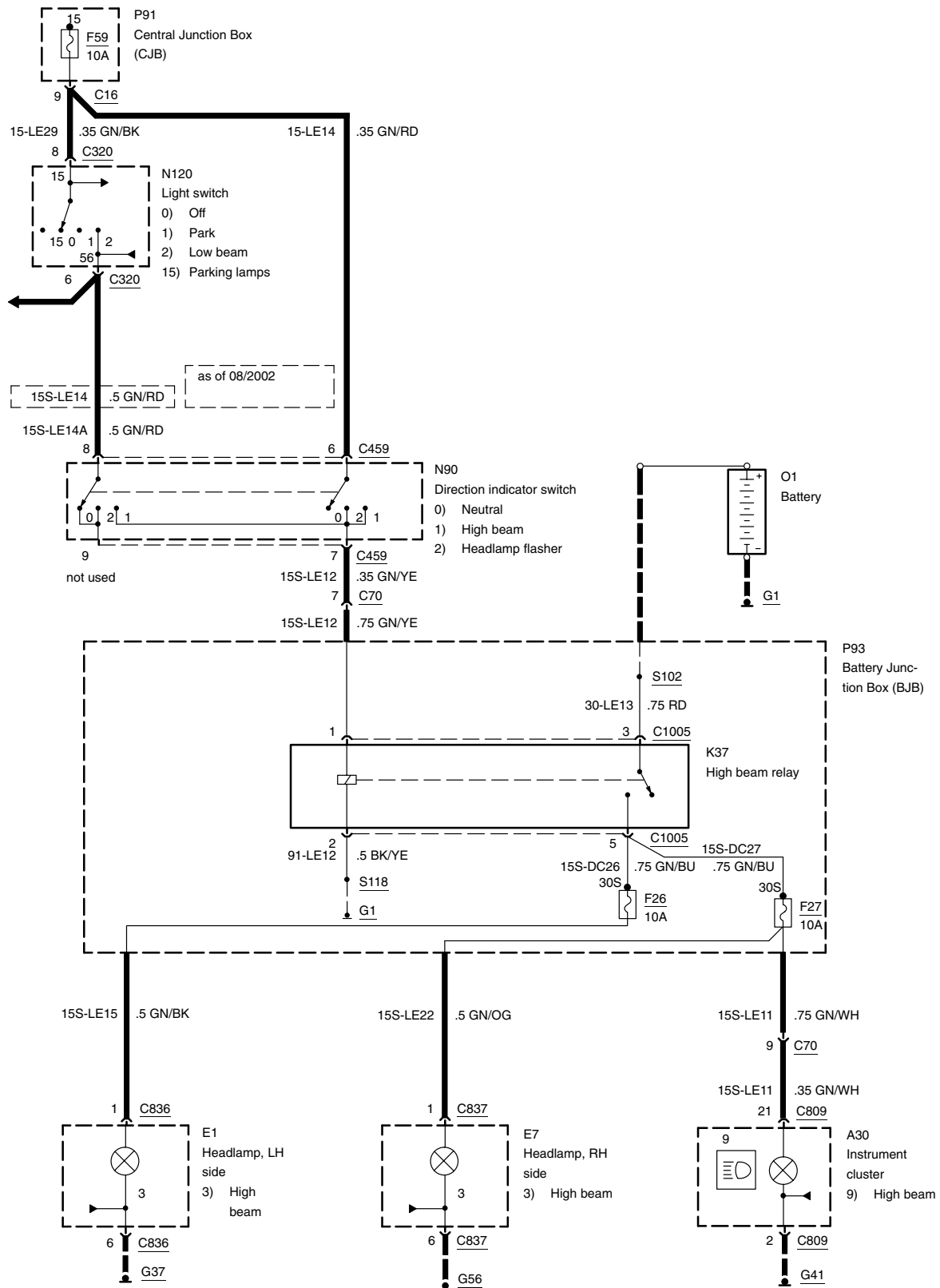
-1



Low beam, without high intensity discharge headlamps

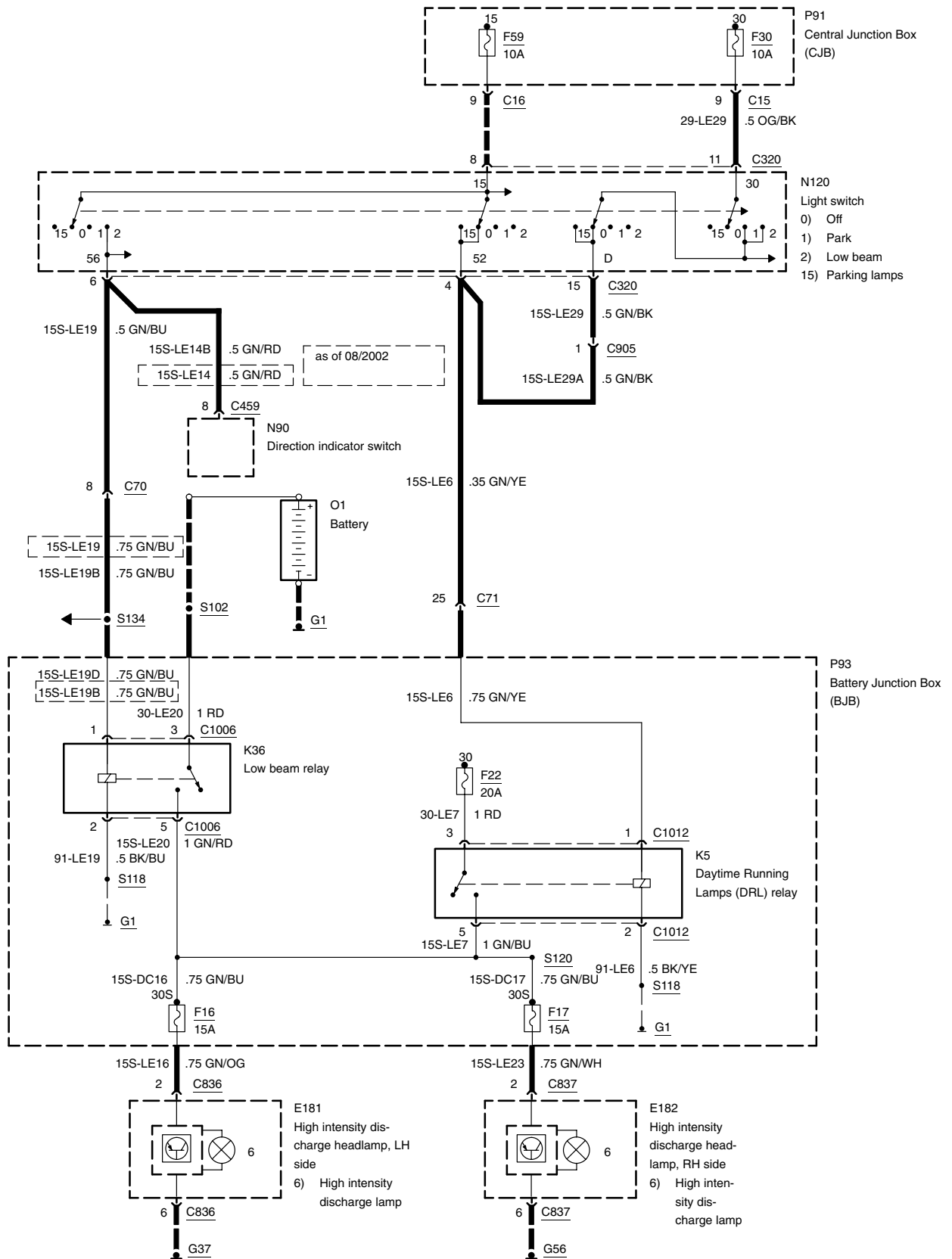


### High beam, without high intensity discharge headlamps

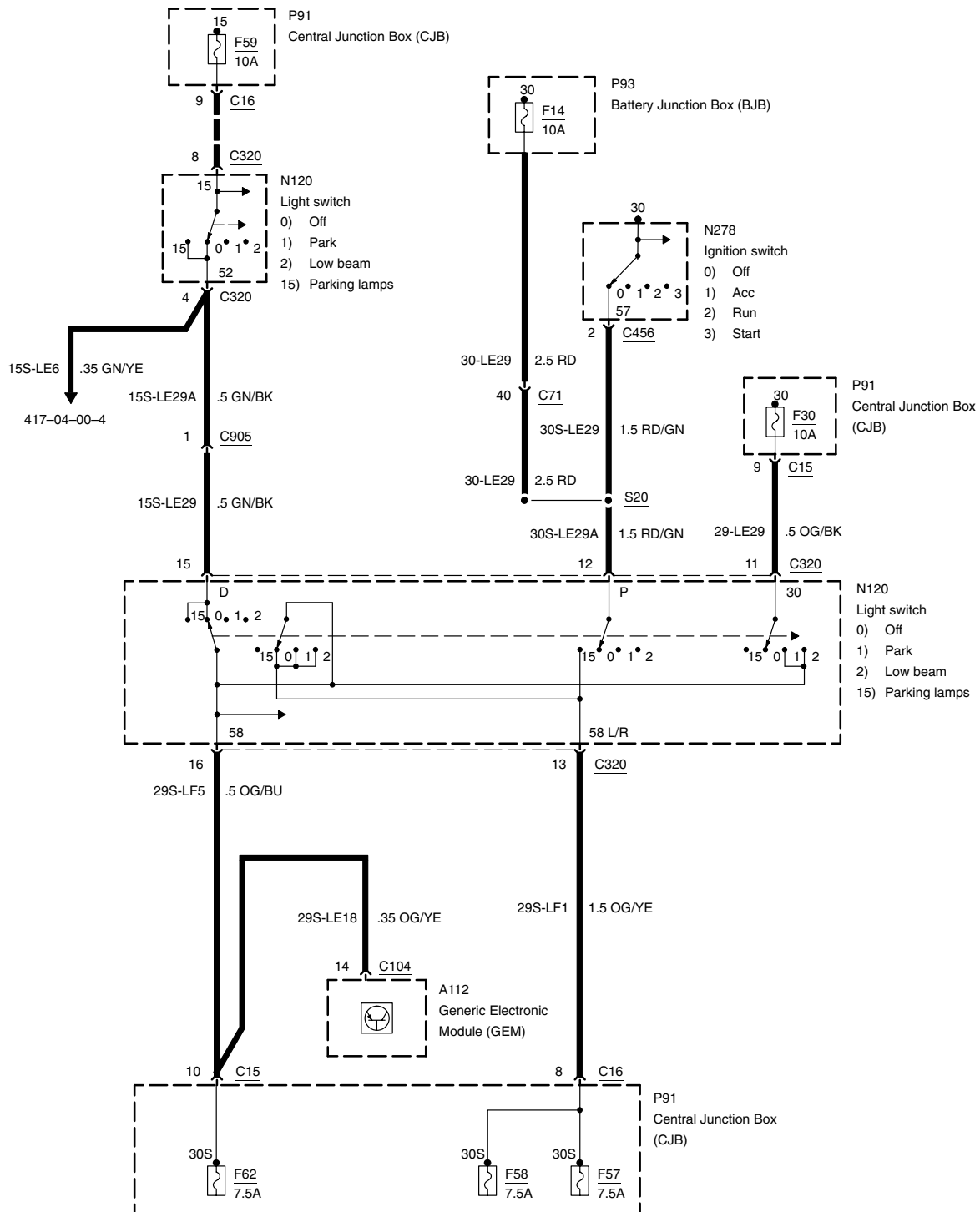




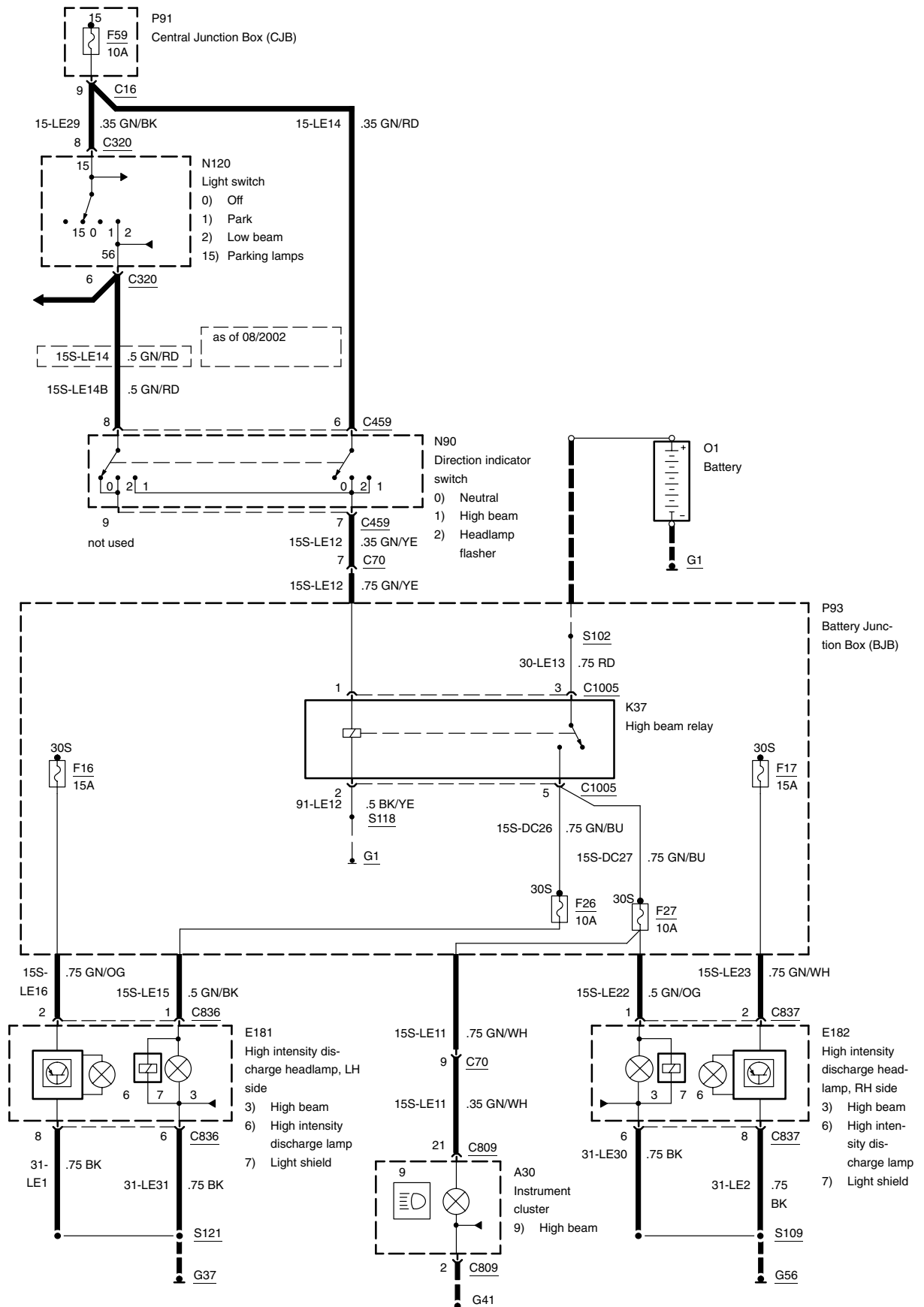
Low beam, with high intensity discharge headlamps



Low beam, with high intensity discharge headlamps

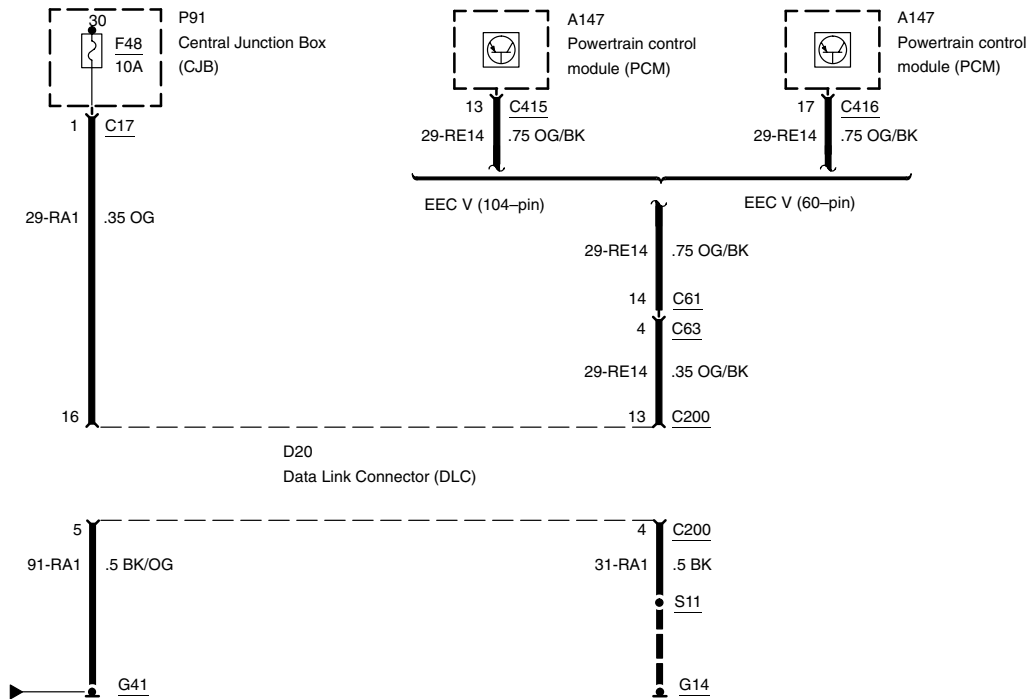


High beam, with high intensity discharge headlamps



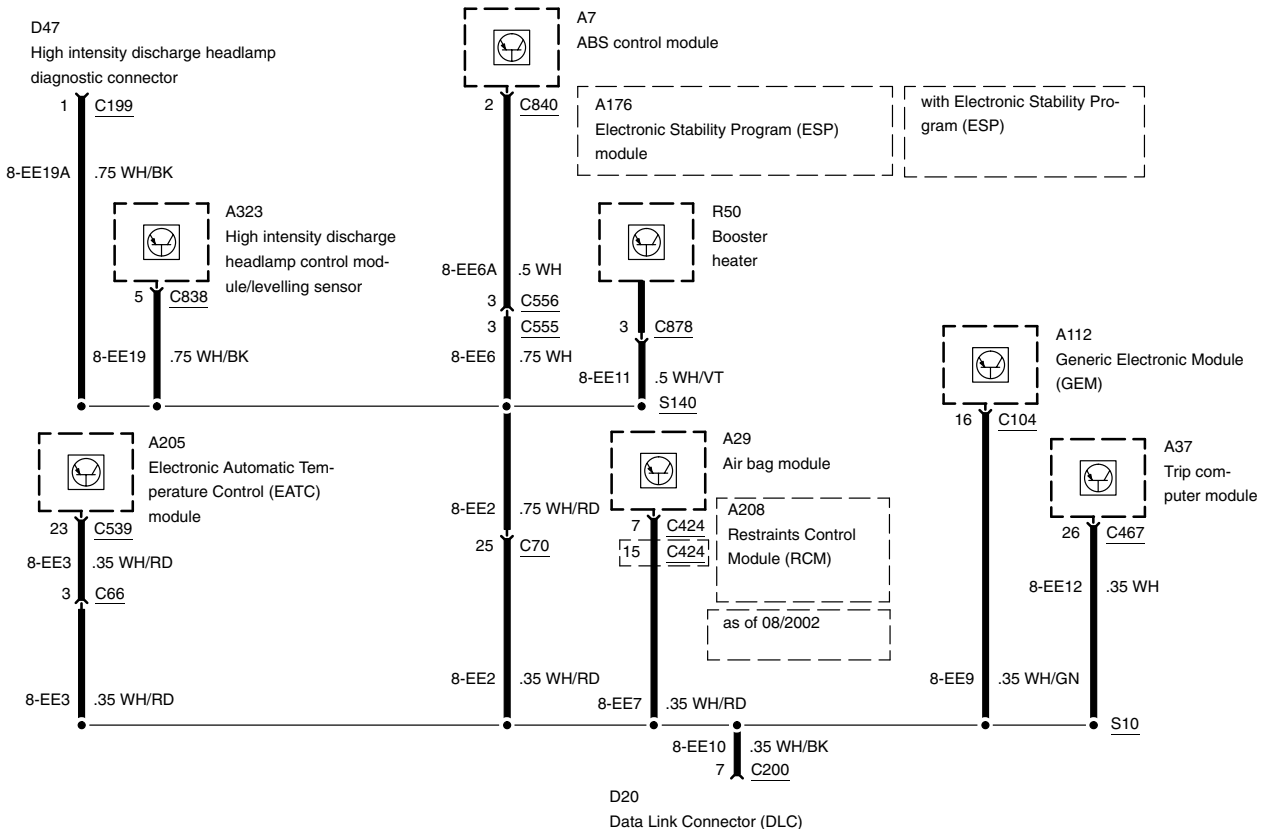
Data link connector, pins 4, 5, 13 and 16

-1



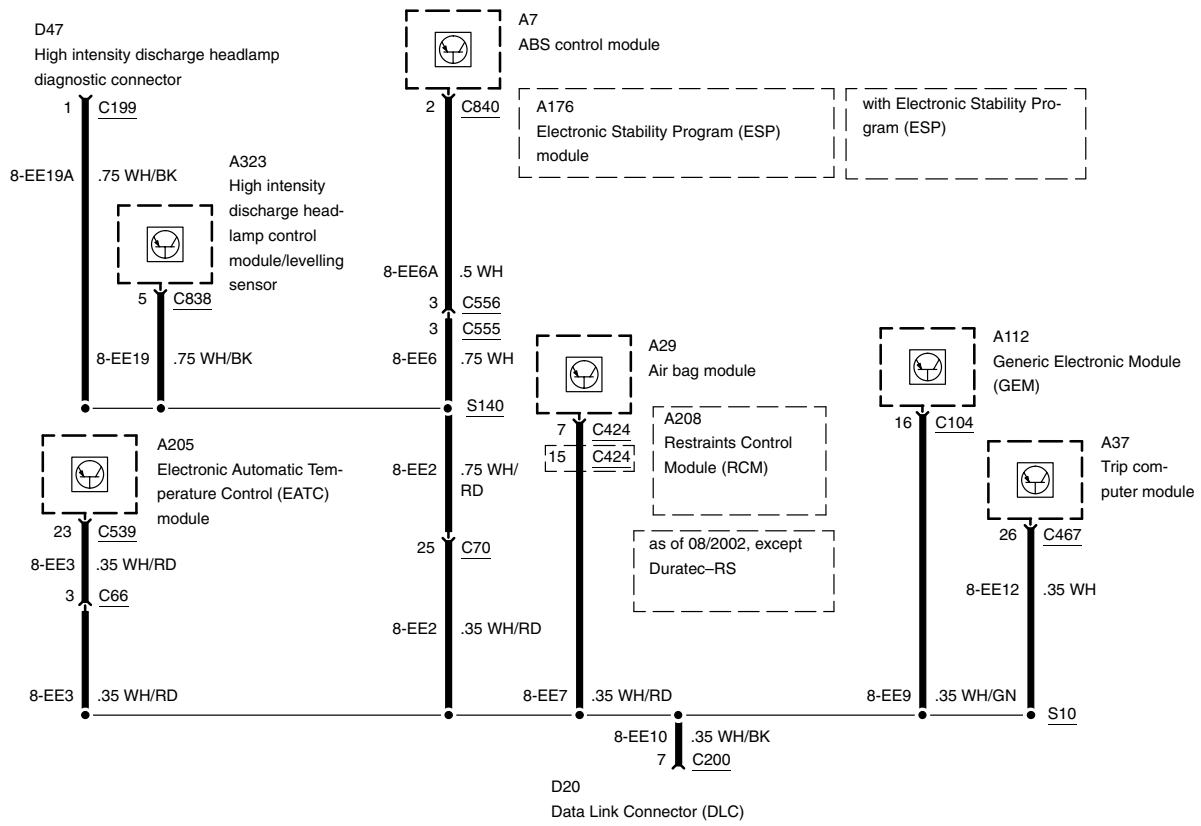
Data link connector, pin 7, Diesel engines

-2



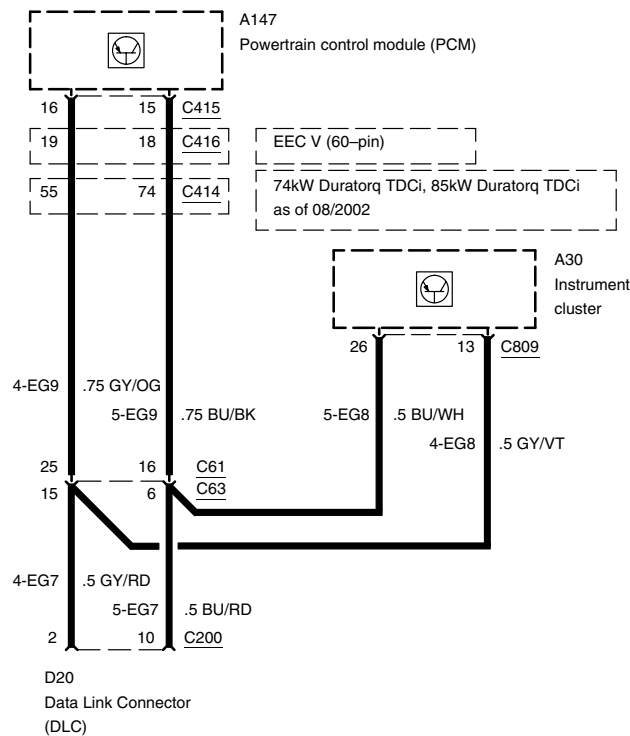
Data link connector, pin 7, Petrol engines

-3

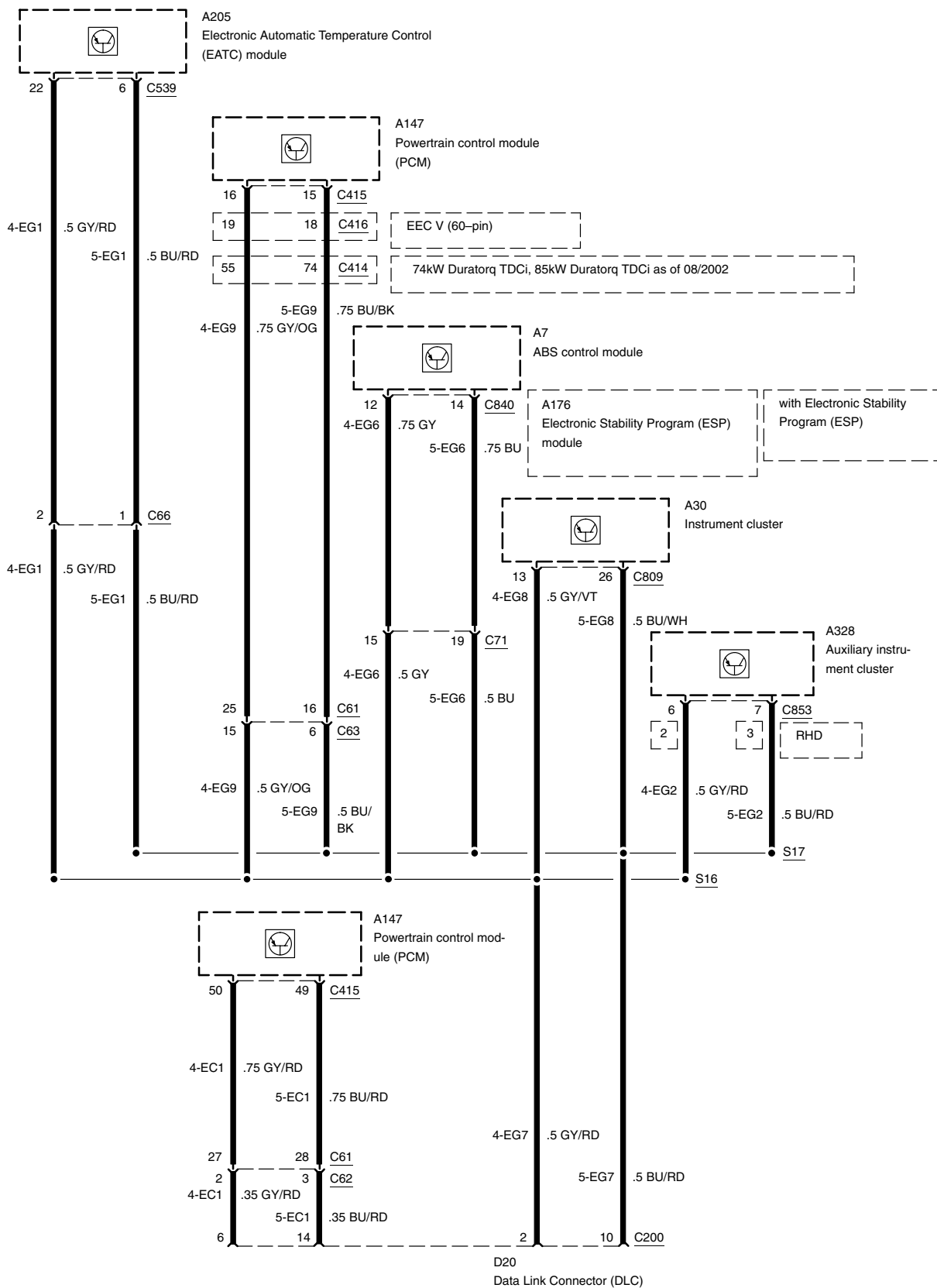


Data link connector, pins 2 and 10, without Traction Control System (TCS)

-4

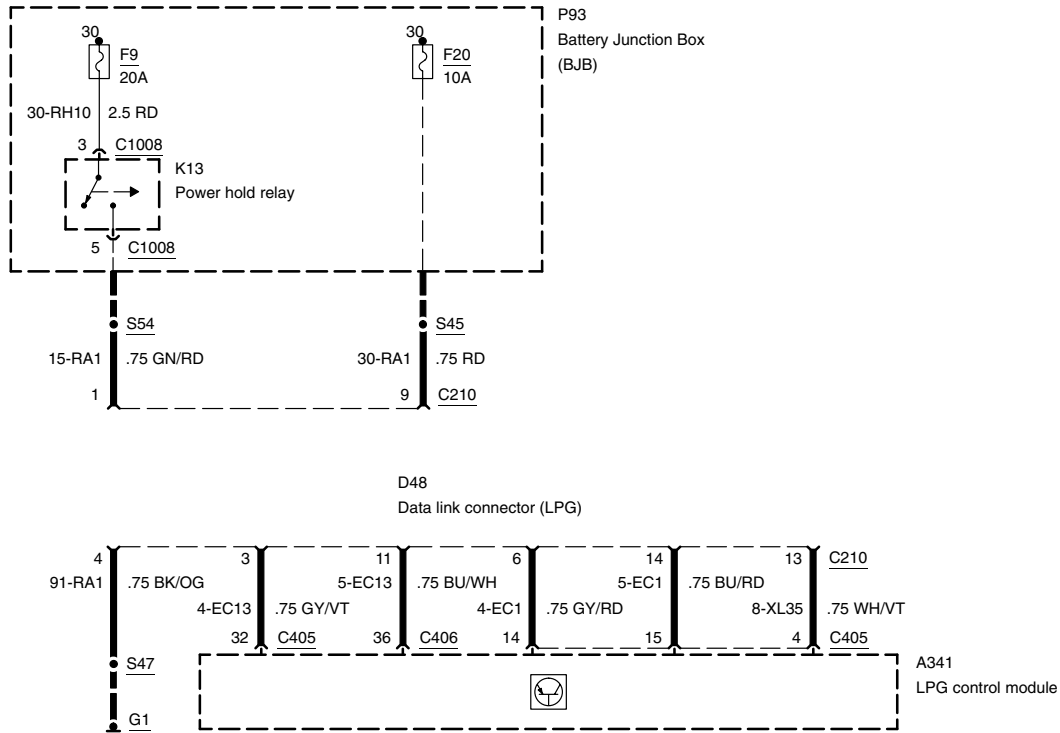


Data link connector, pins 2, 6, 10 and 14, with Traction Control System (TCS)



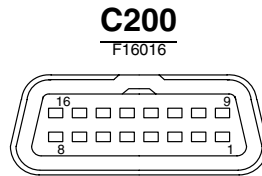
Data link connector (LPG)

-6



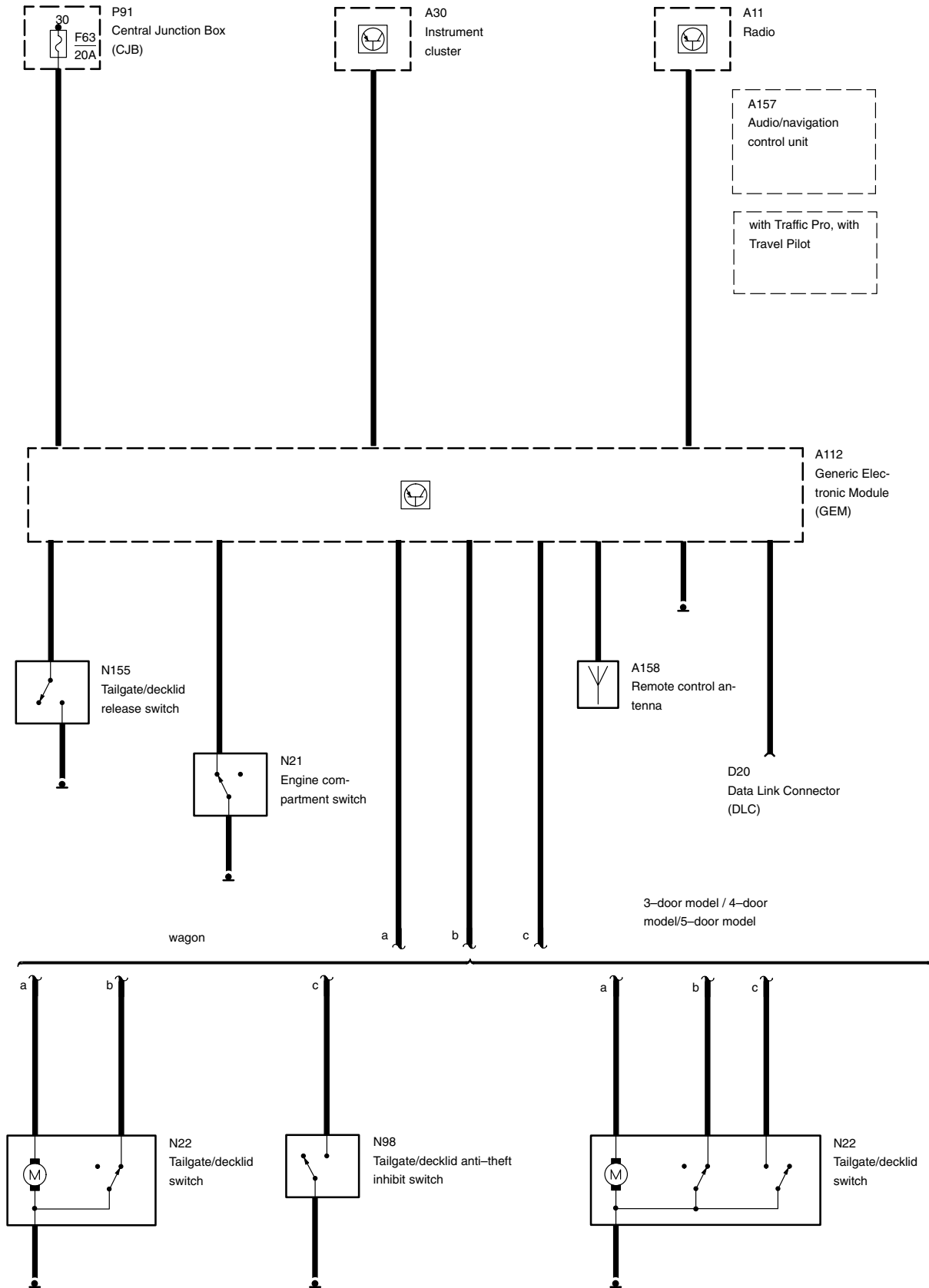
Data Link Connector (DLC)

-7



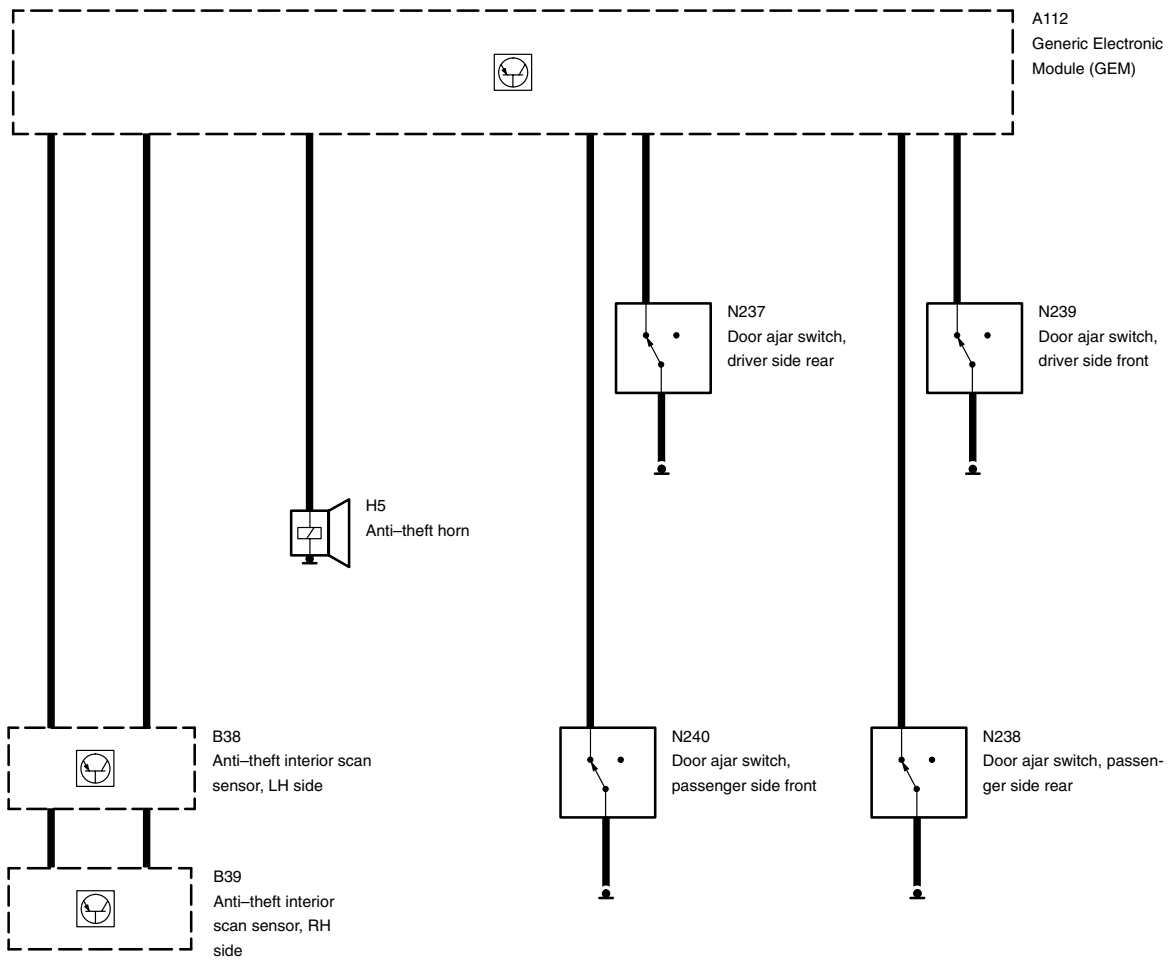
Pin number	Description	Wire colours
1	not used	
2	SCP+	GY/RD
3	not used	
4	Chassis Ground	BK
5	Signal Ground	BK/OG
6	CAN+	GY/RD
7	K-Line ISO 9141	WH/BK
8	not used	
9	not used	
10	SCP-	BU/RD
11	not used	
12	not used	
13	Module programming signal	OG/BK
14	CAN-	BU/RD
15	not used	
16	Battery Power	OG

-A



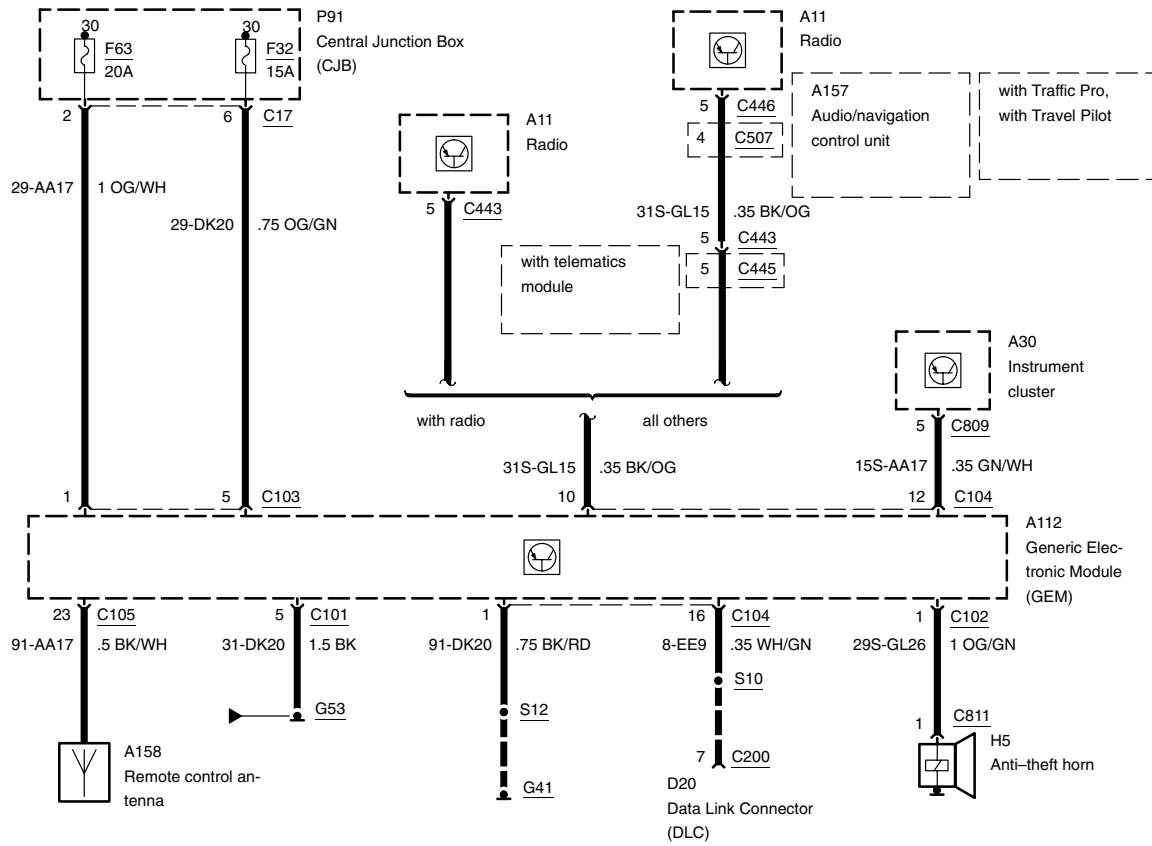


-B

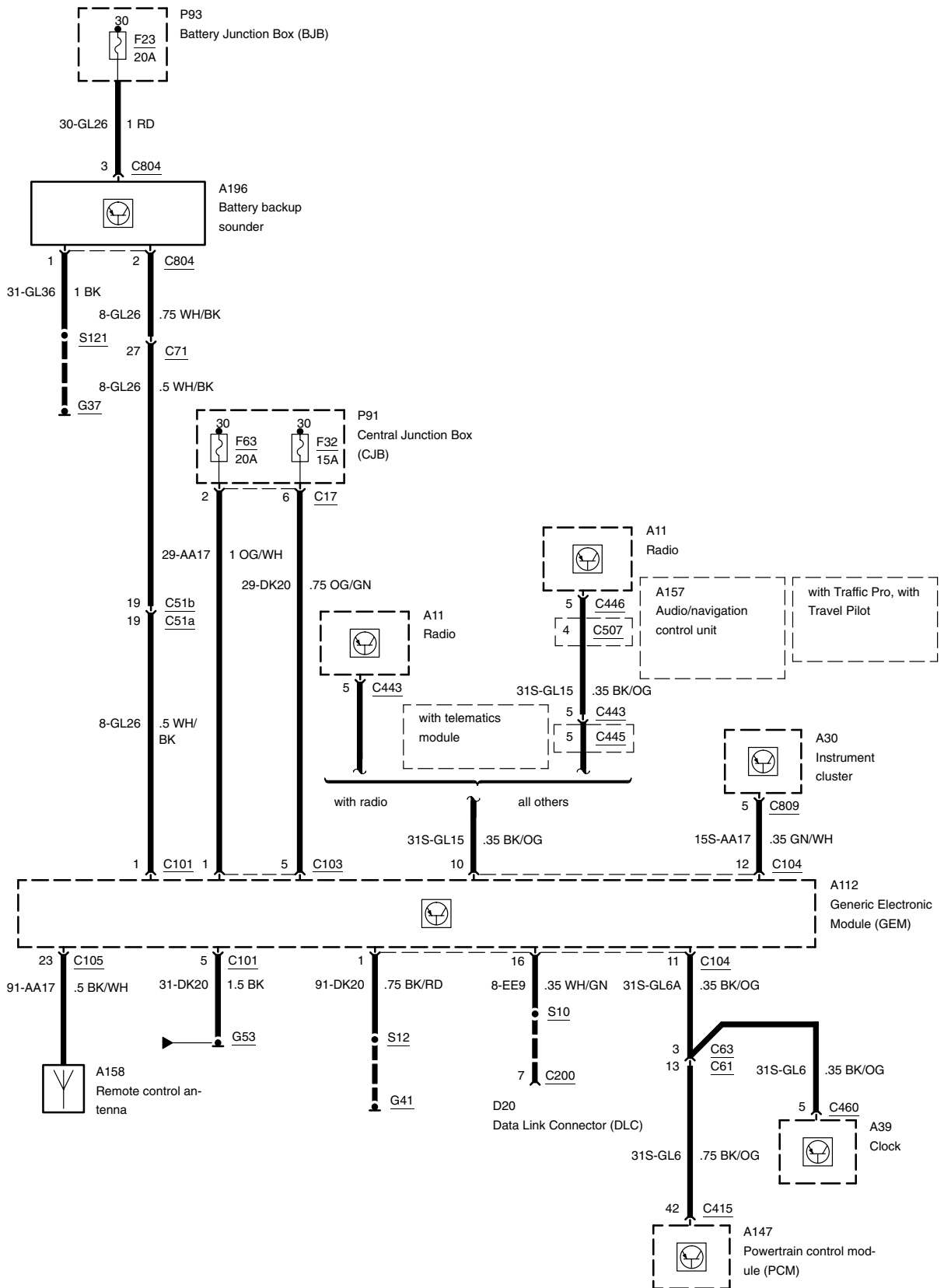


except Duratec-ST

-1

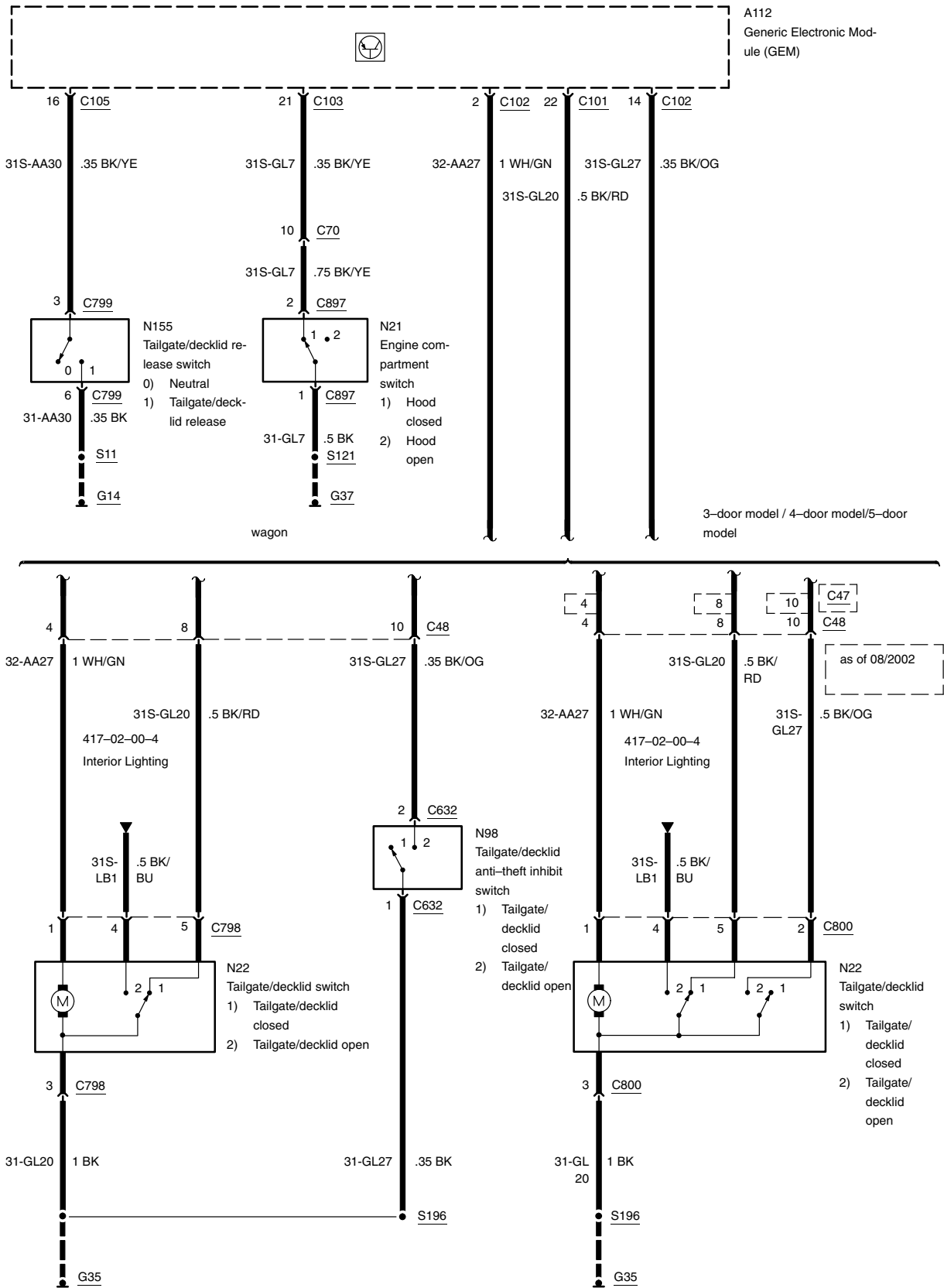


Duratec-ST



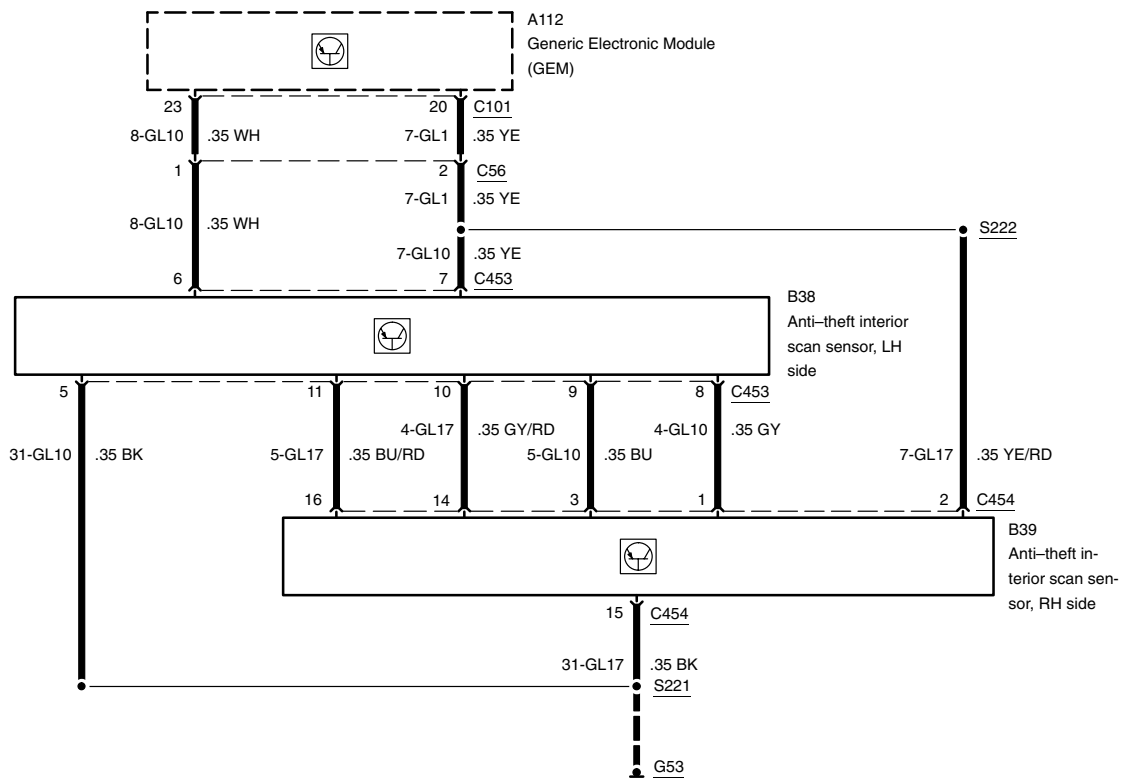
except Duratec-RS RHD

-3



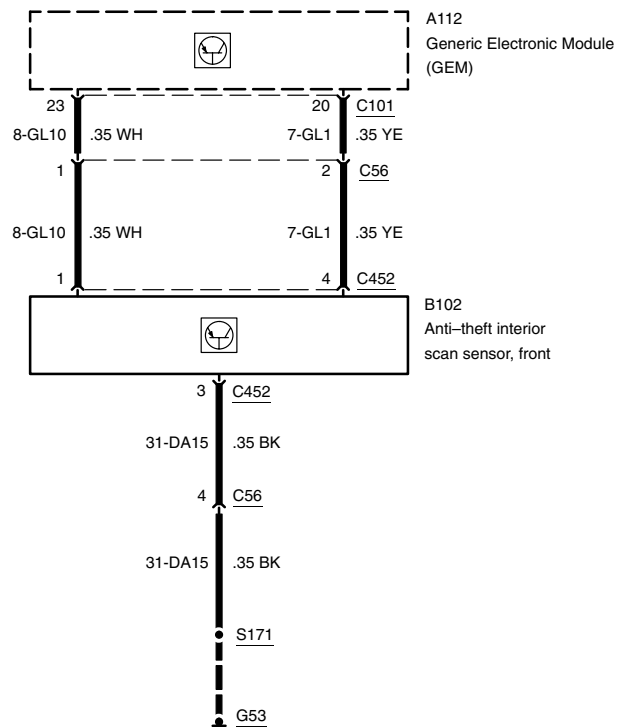
except Duratec-ST

-4



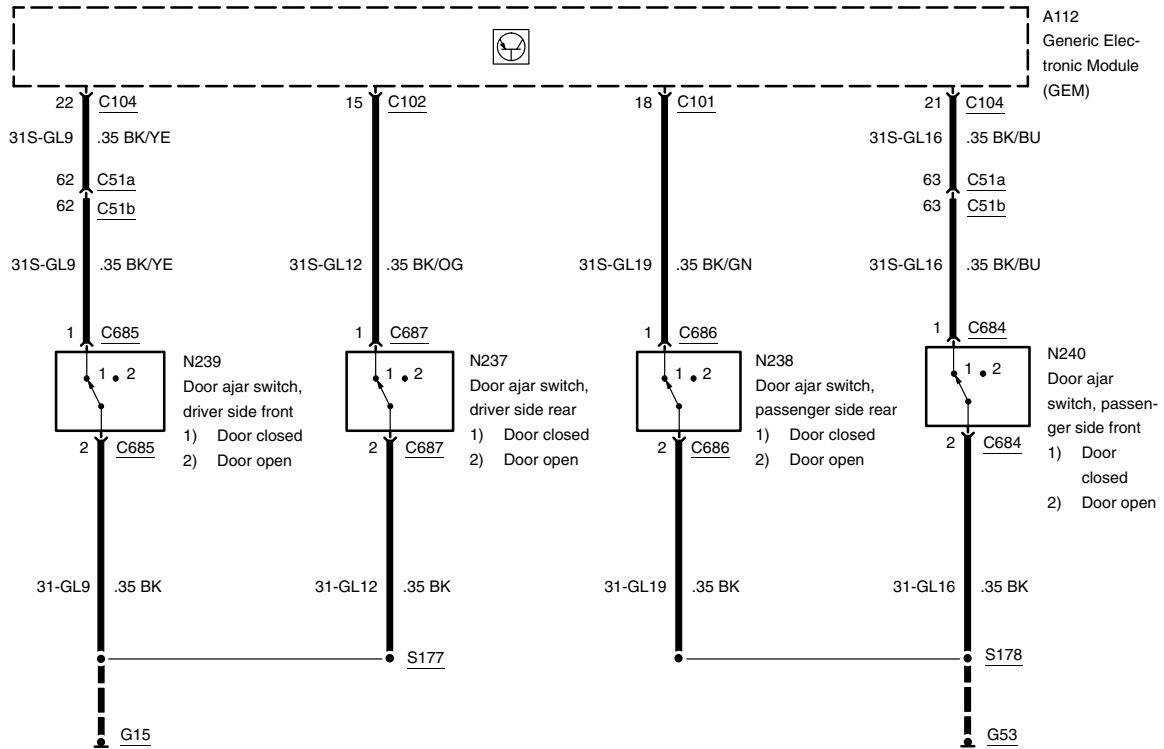
Duratec-ST

-5



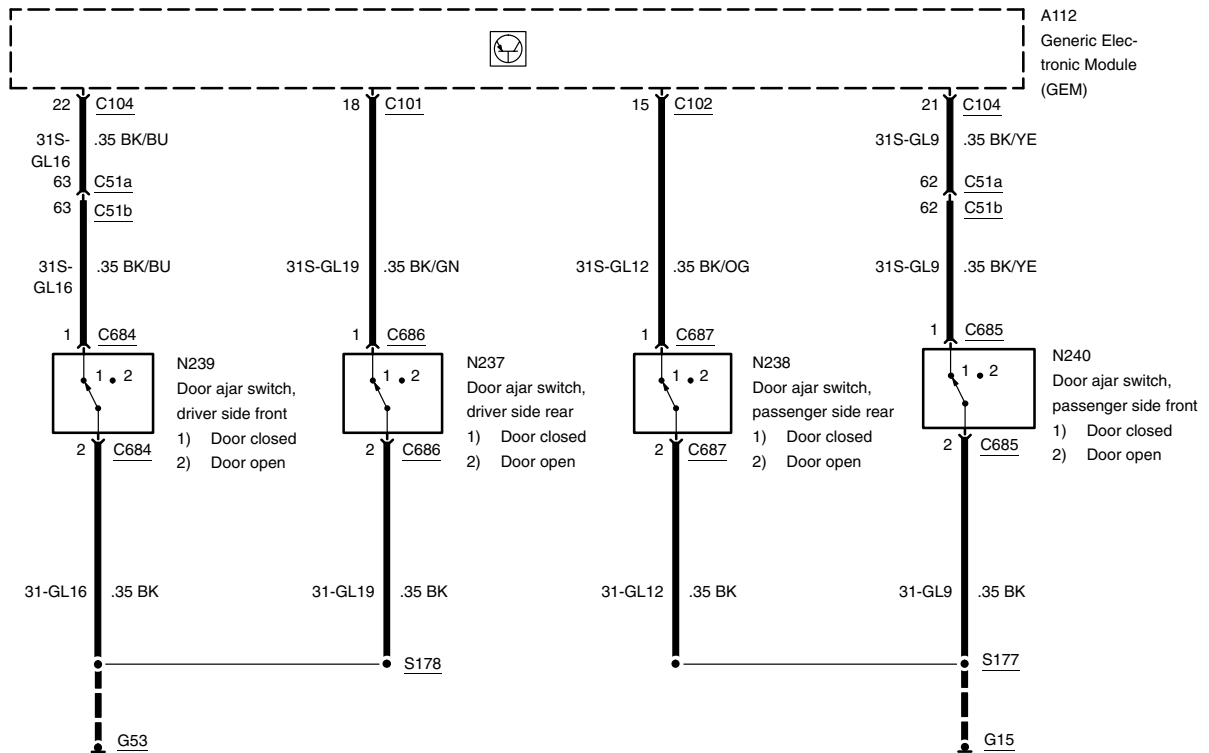
LHD

-6



RHD, except Duratec-RS

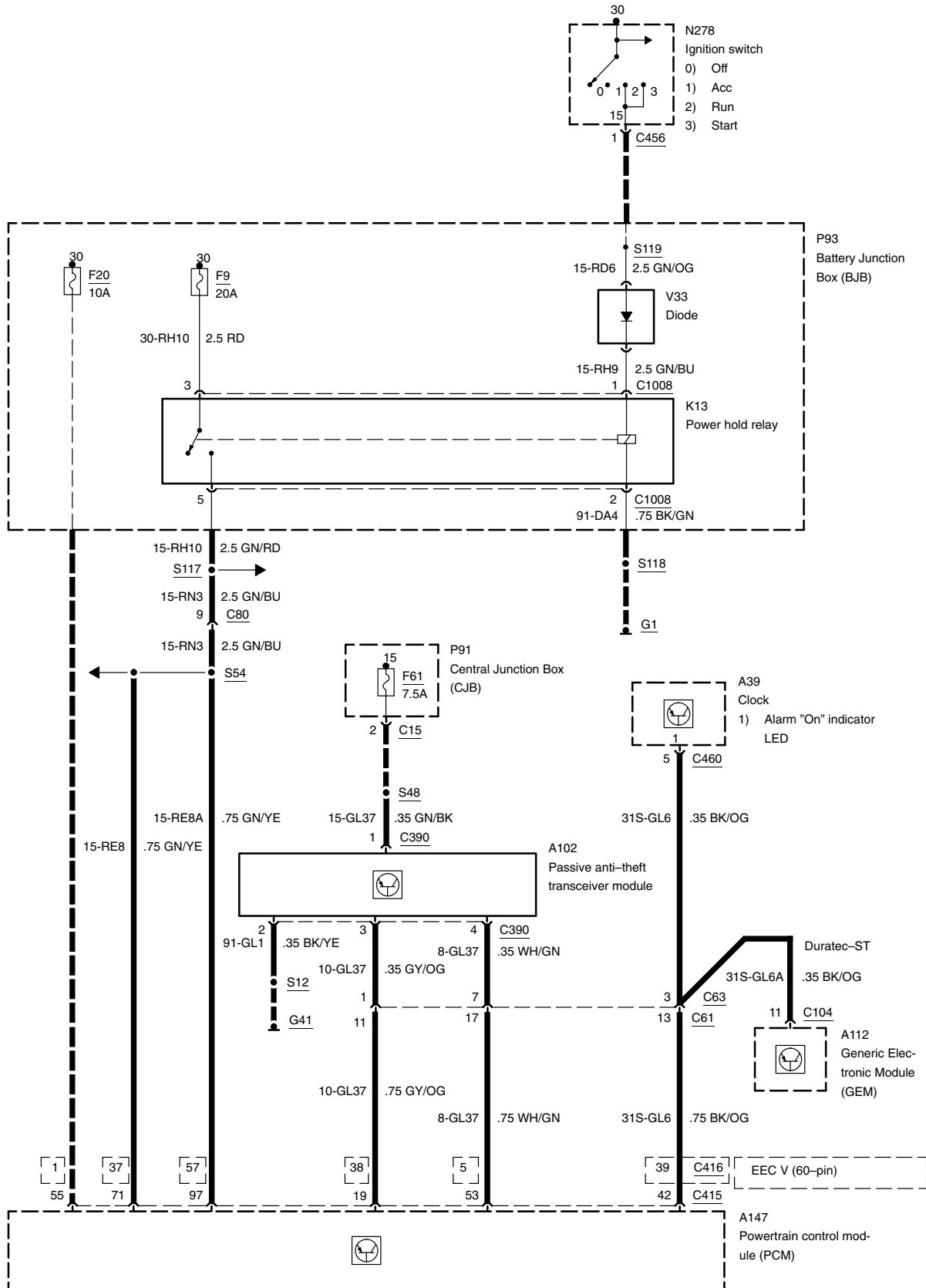
-7





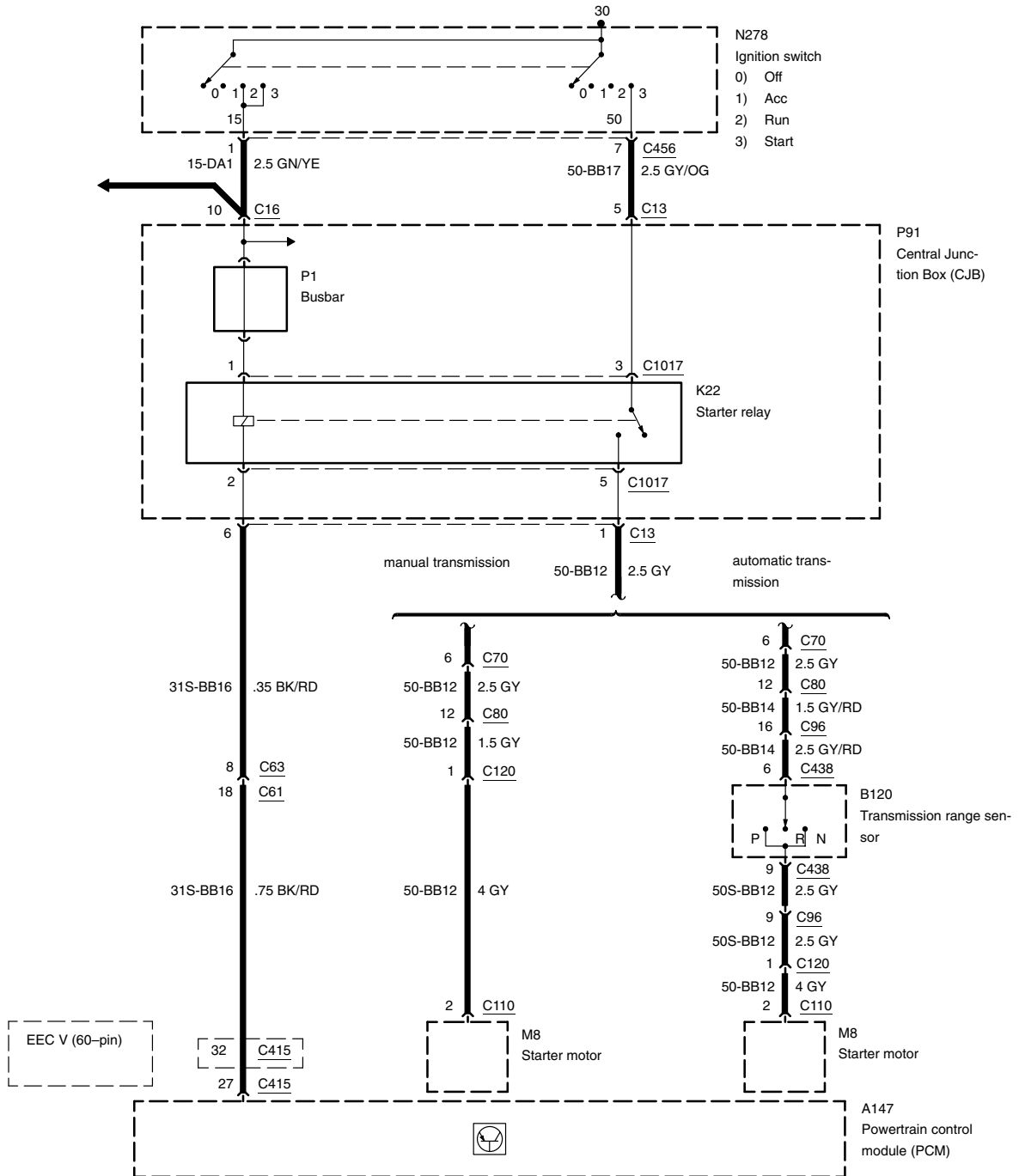
Petrol engines

-1

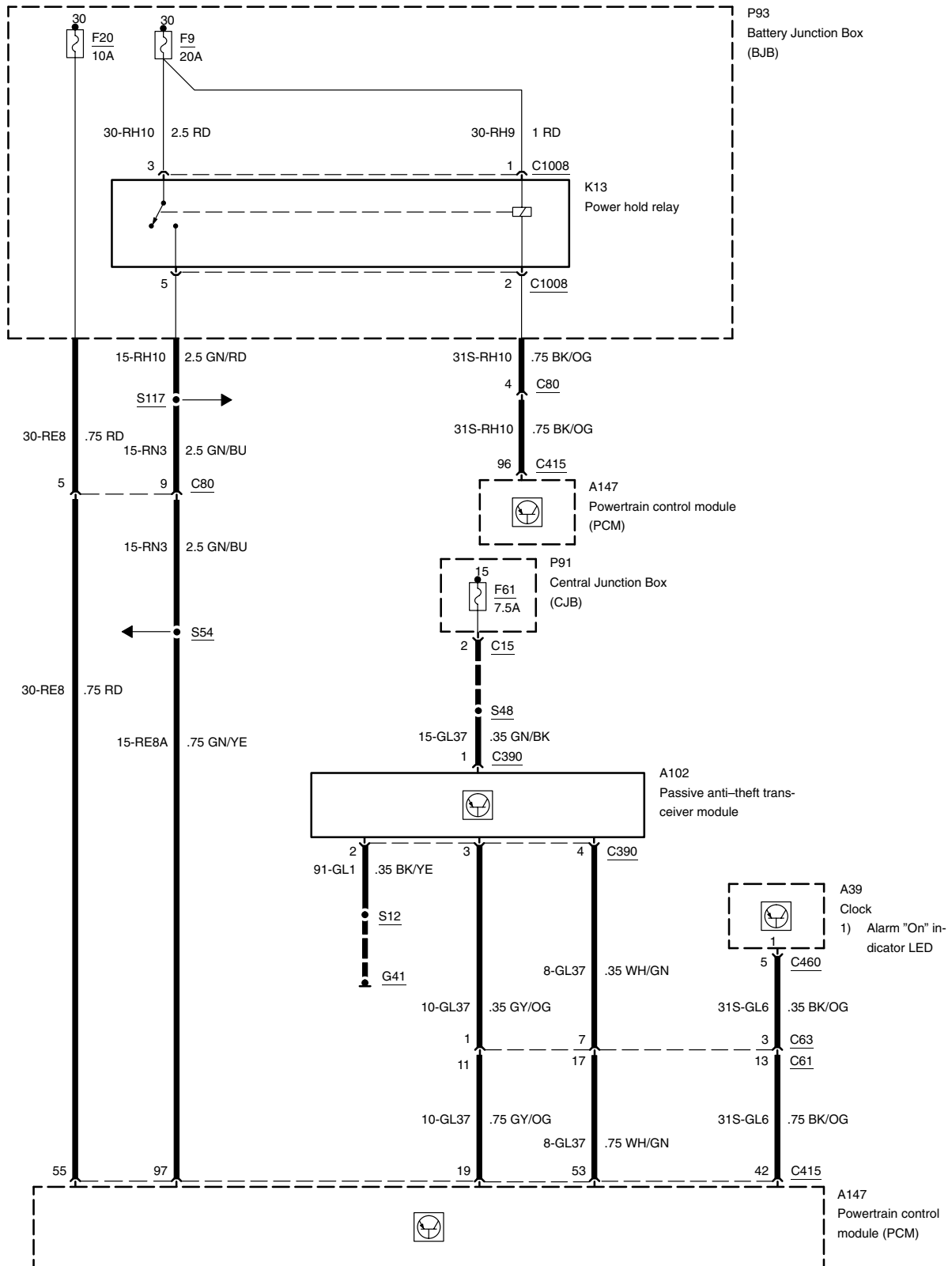




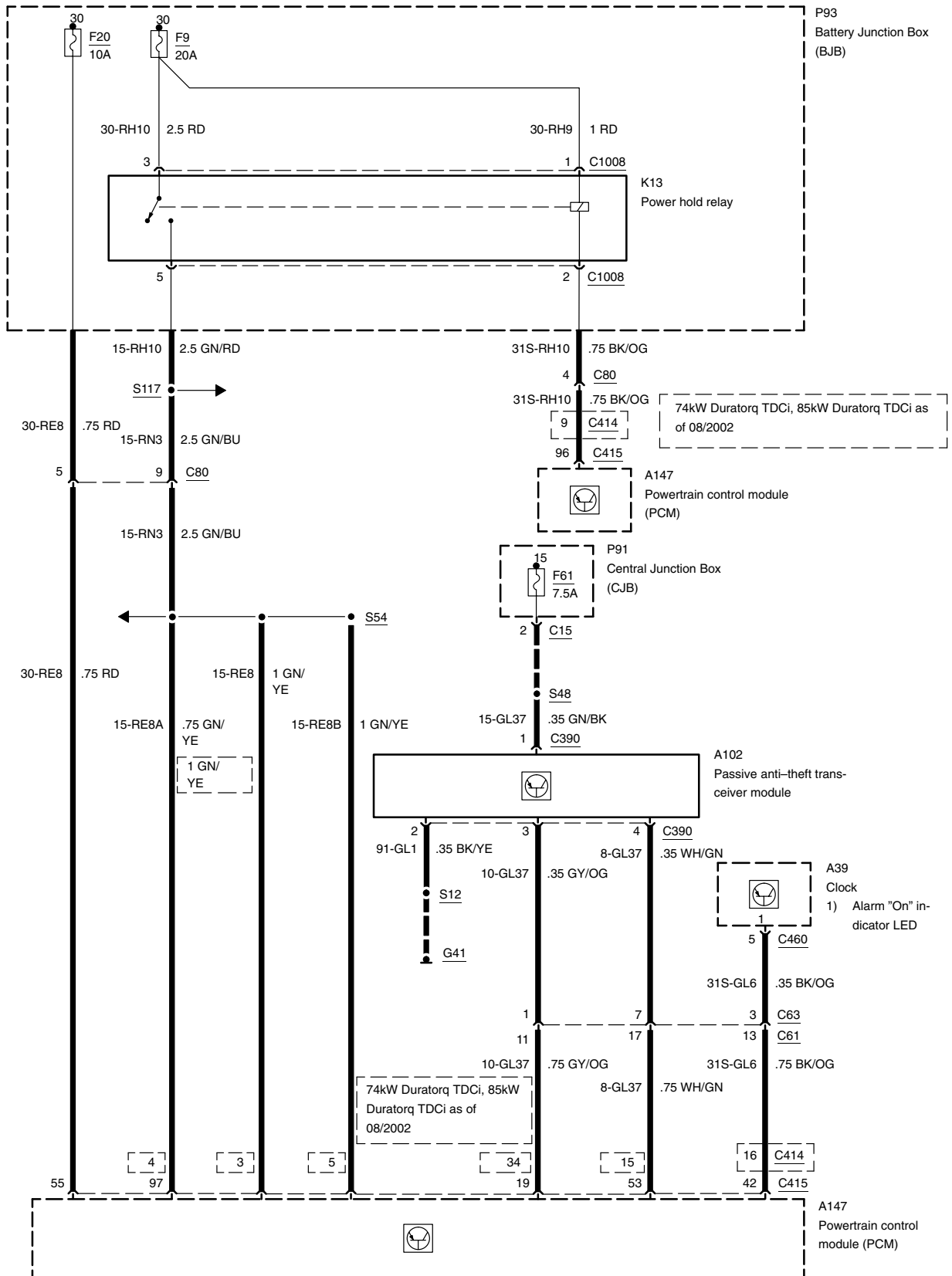
Petrol engines, except Duratec-RS



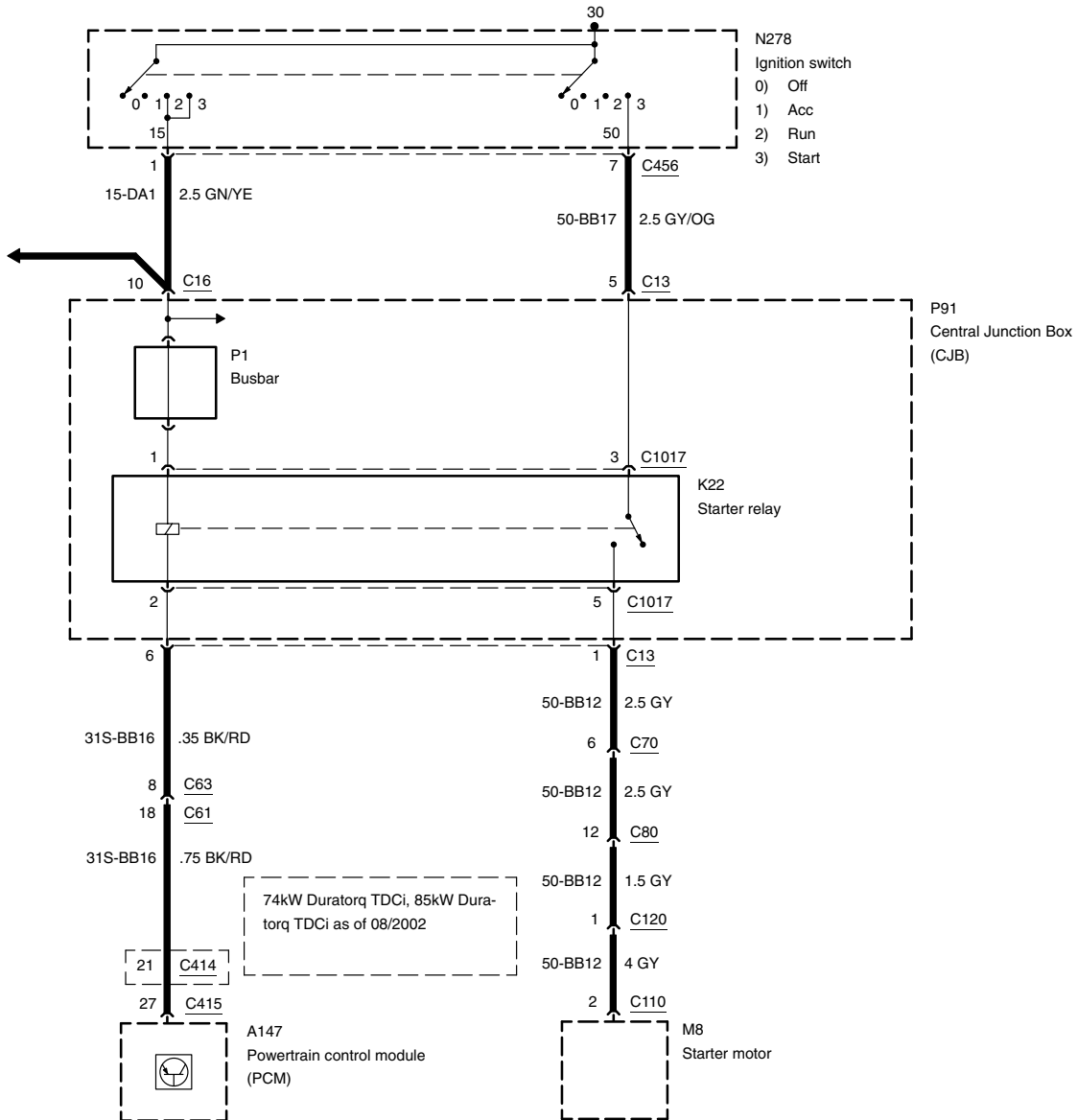
Diesel engines, Endura-TDDi



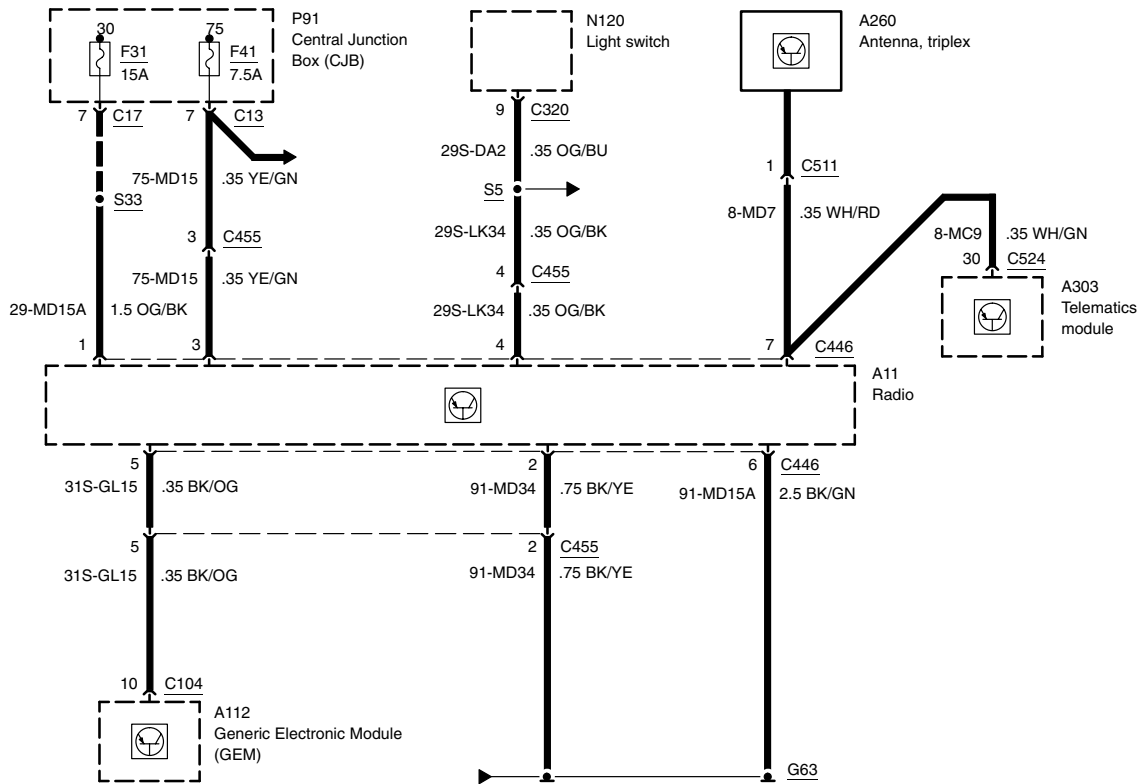
Diesel engines, Duratorq TDCi

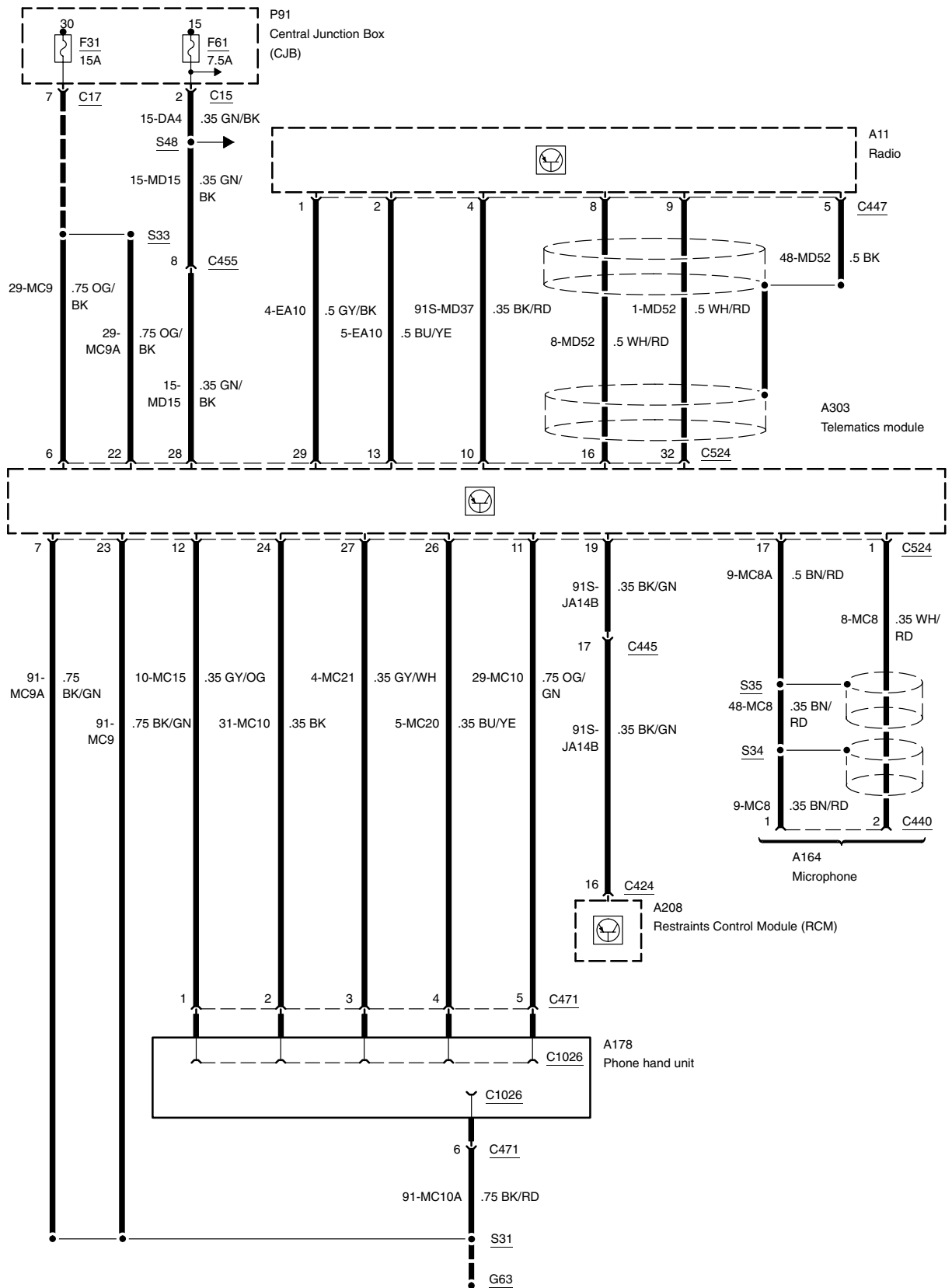


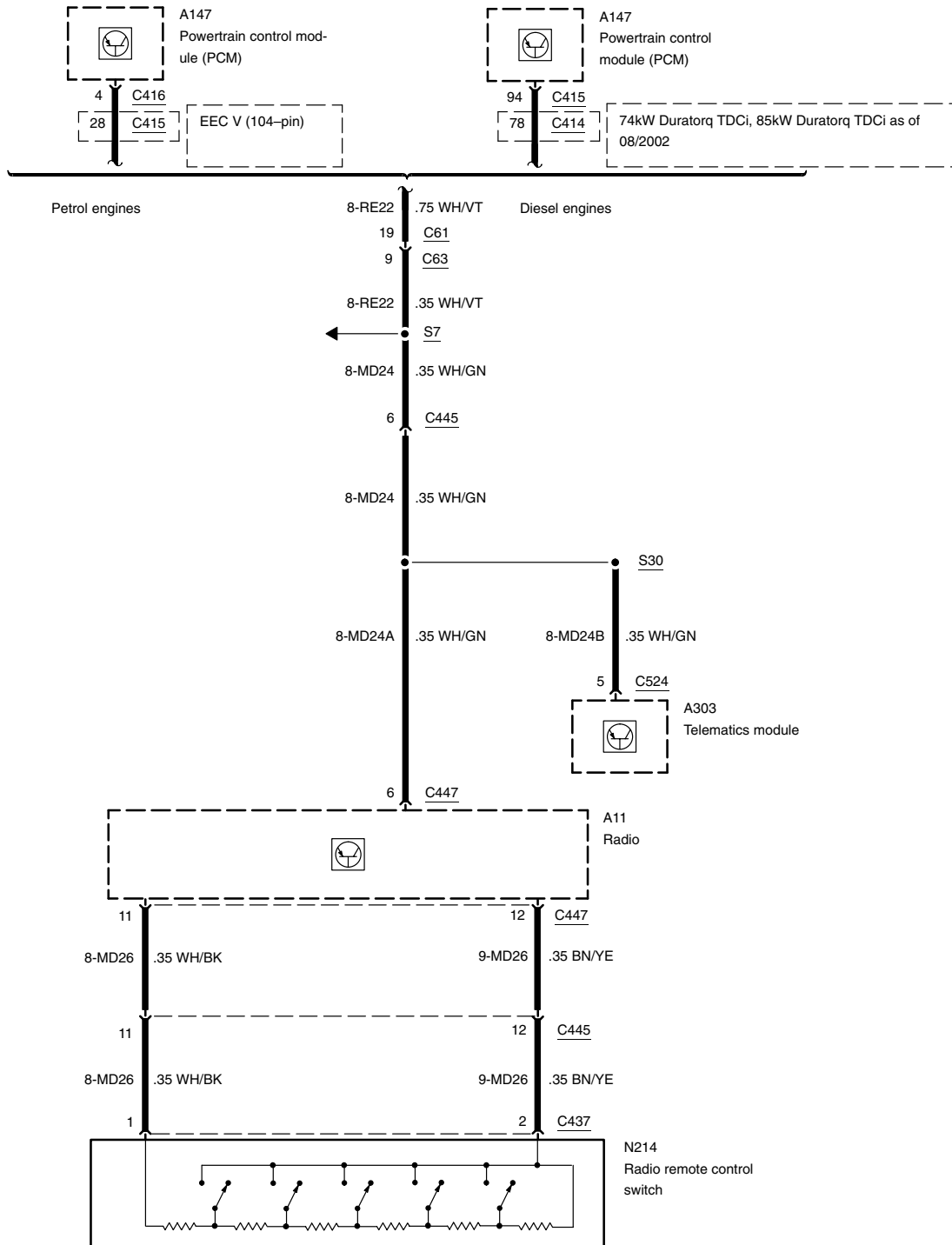
Diesel engines









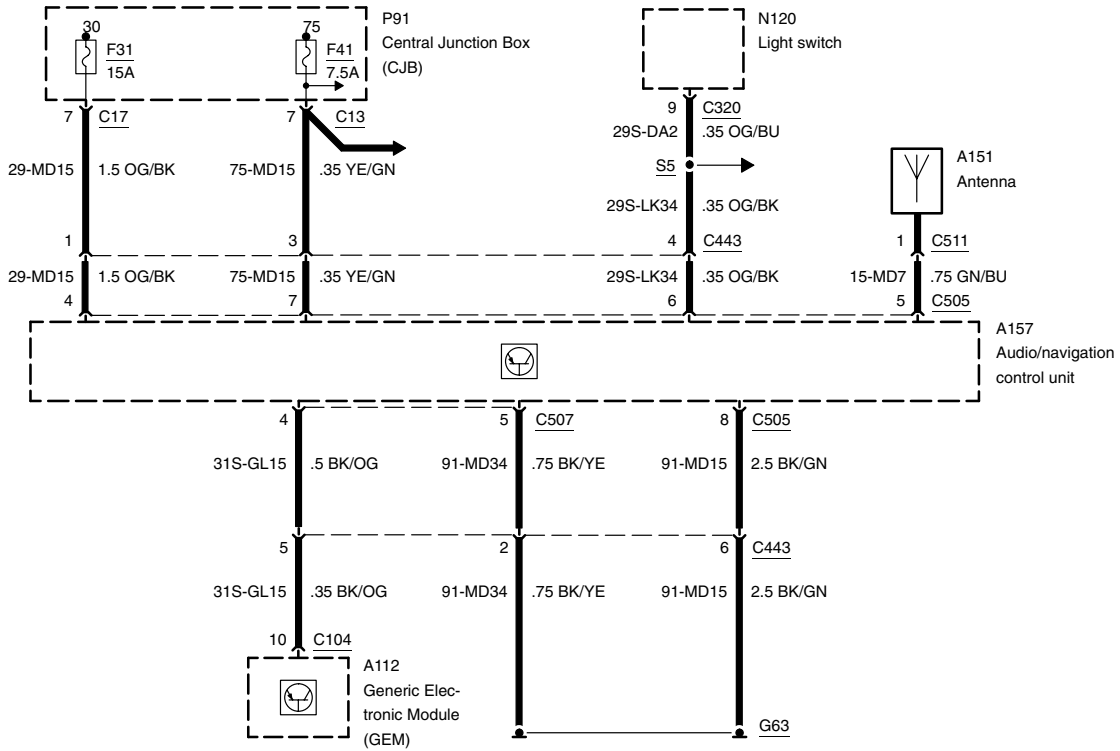




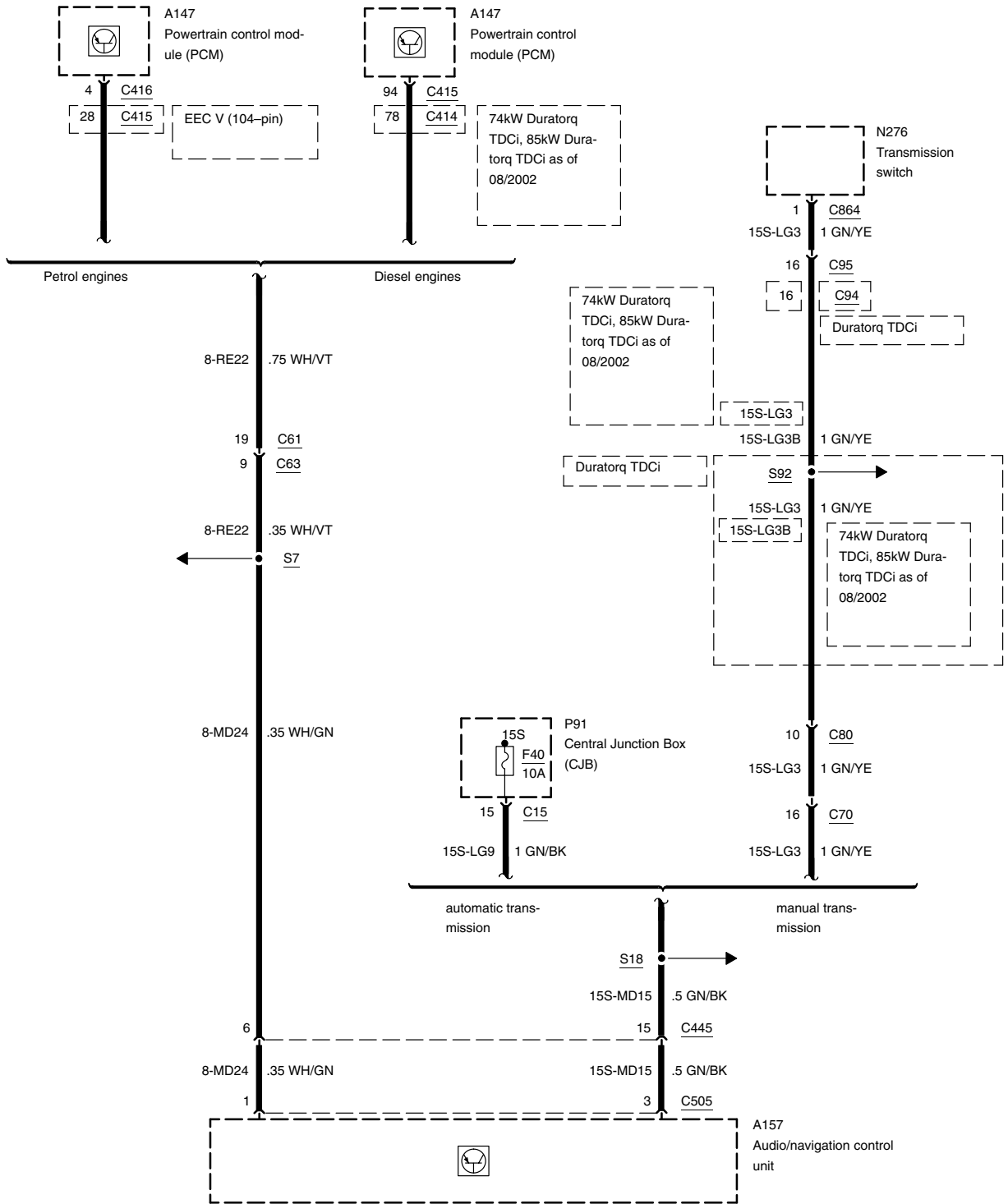


with Traffic Pro

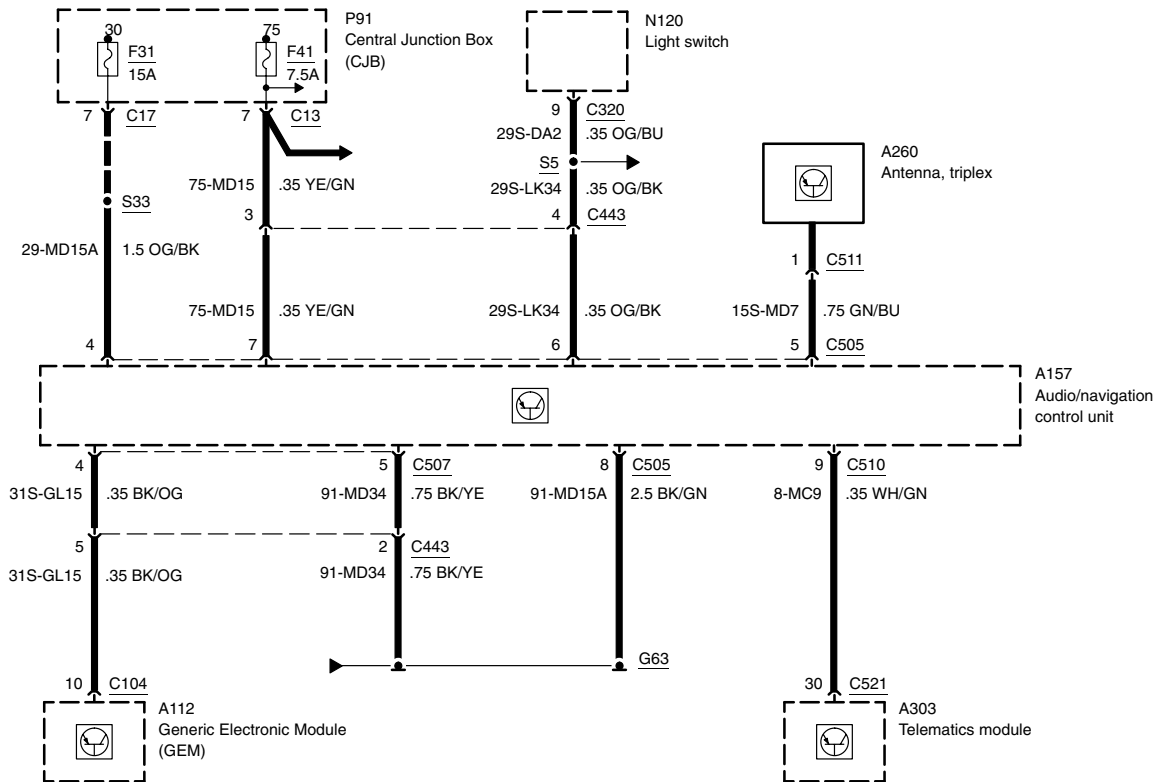
-1



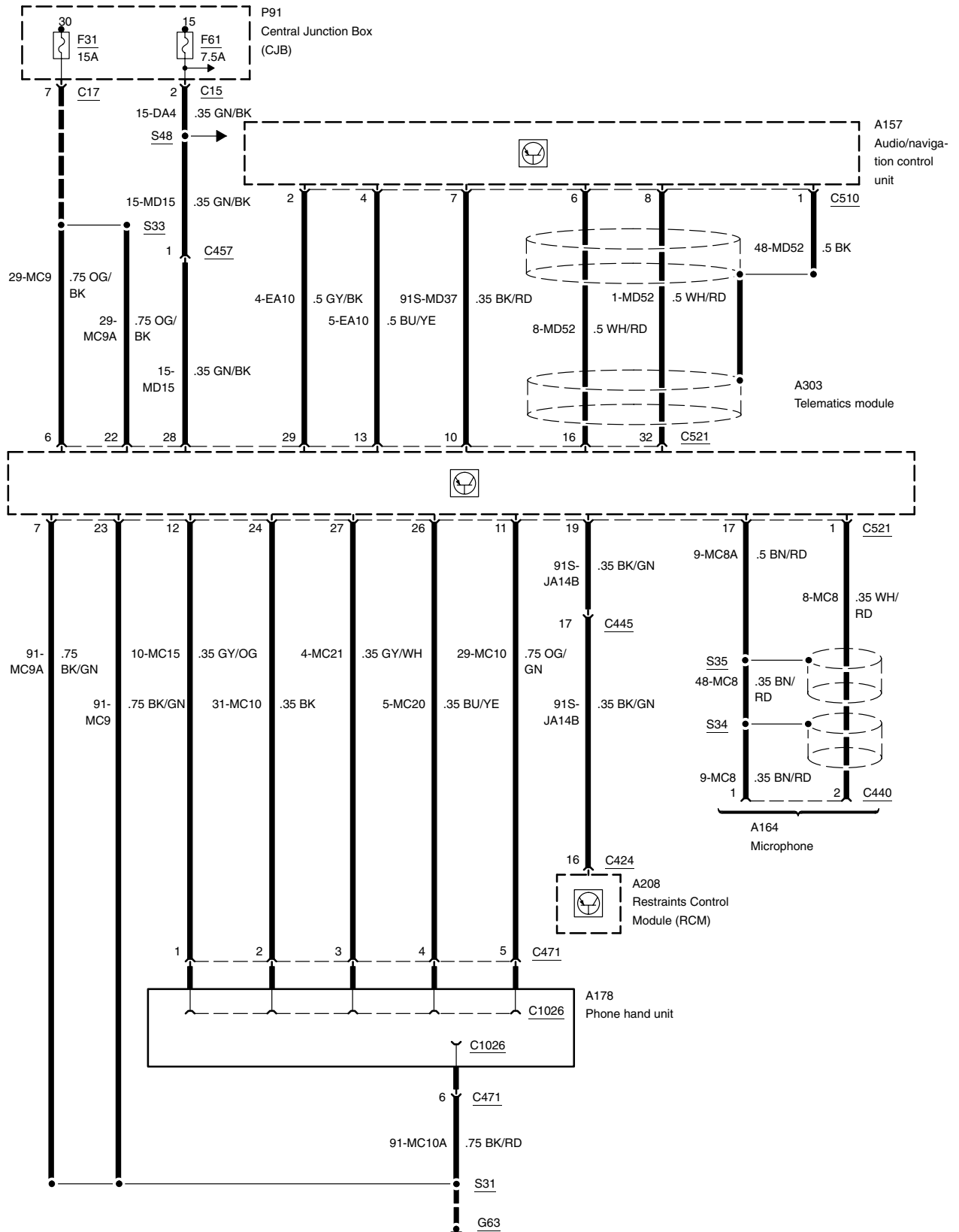
with Traffic Pro



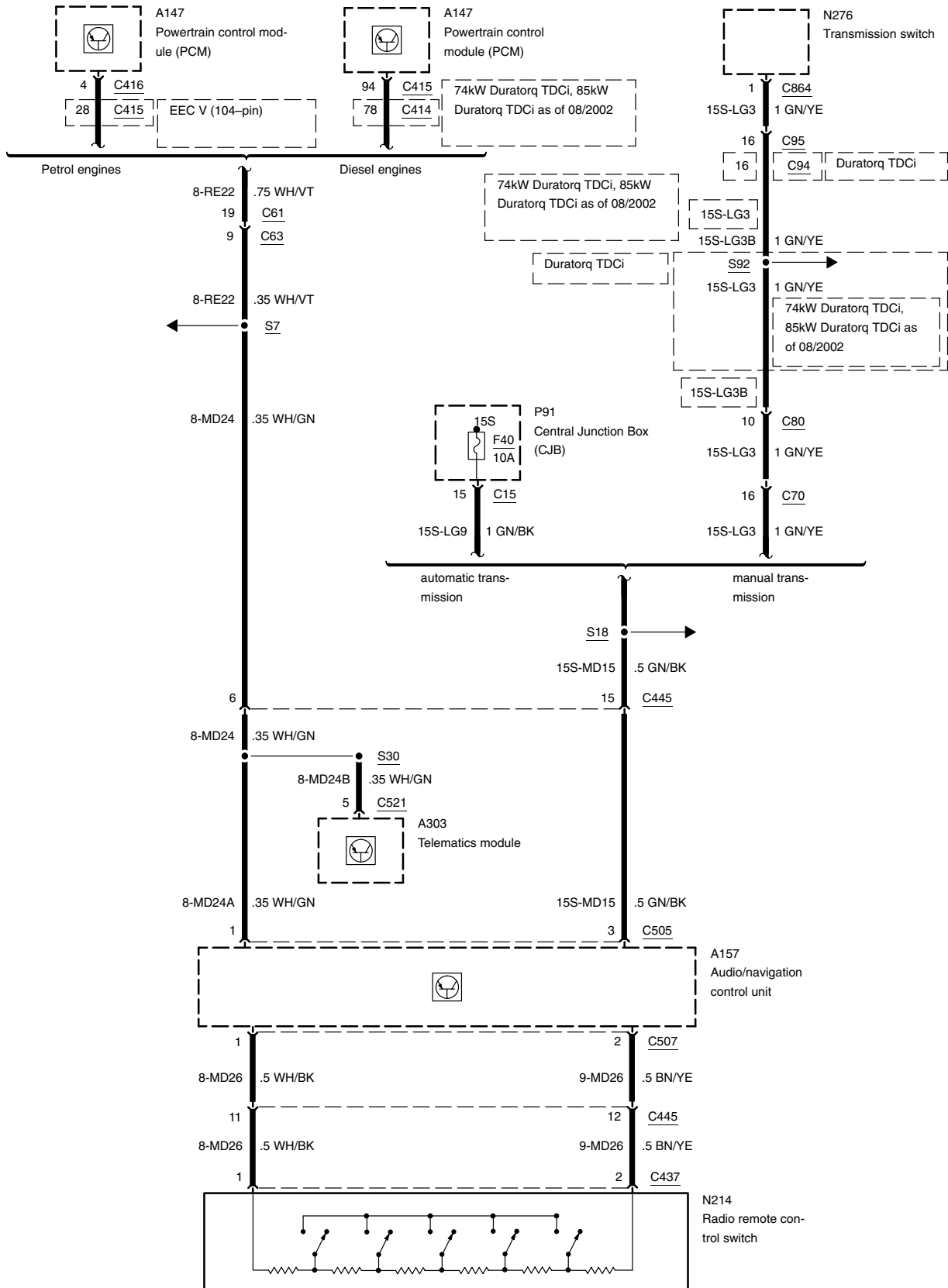
with Travel Pilot



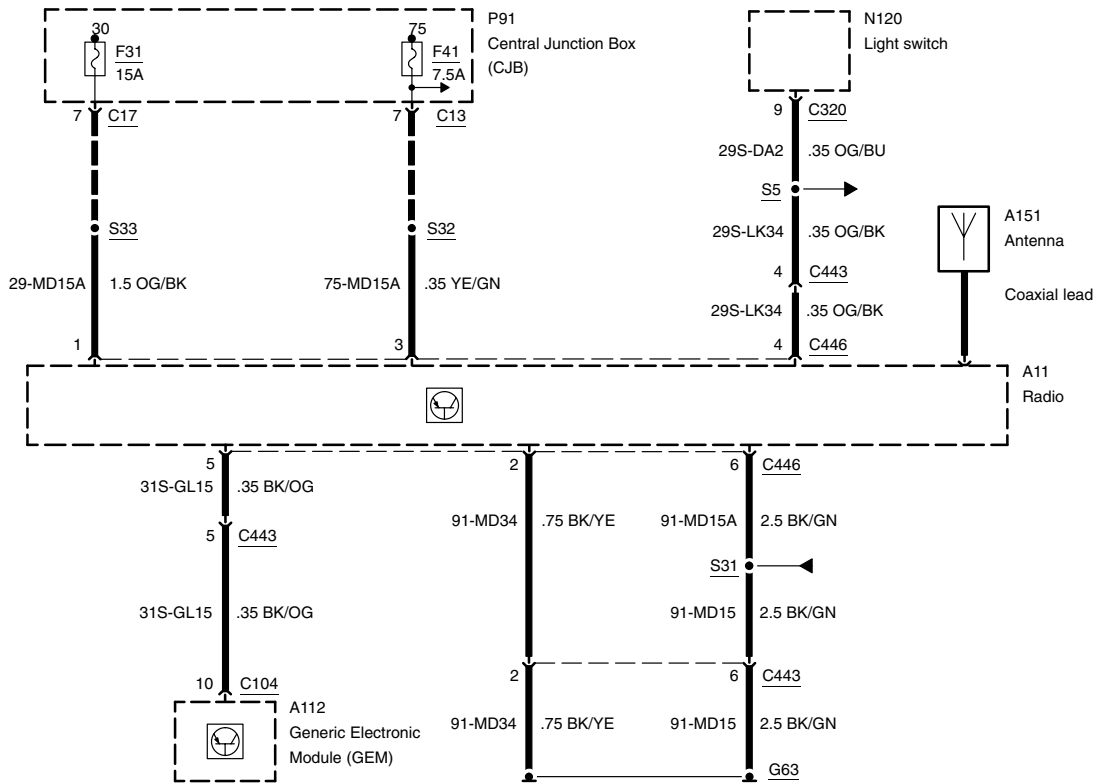
with Travel Pilot



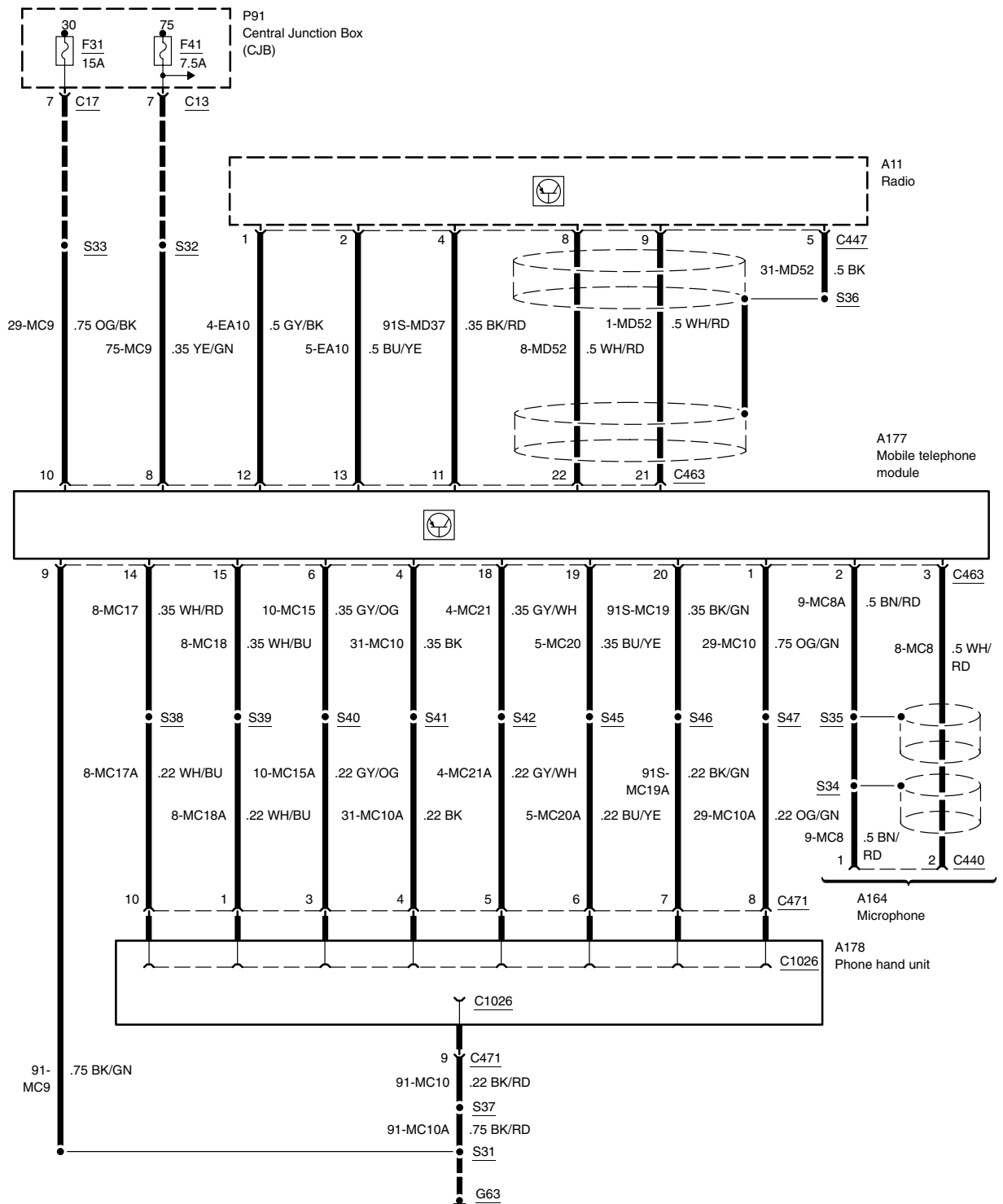
with Travel Pilot

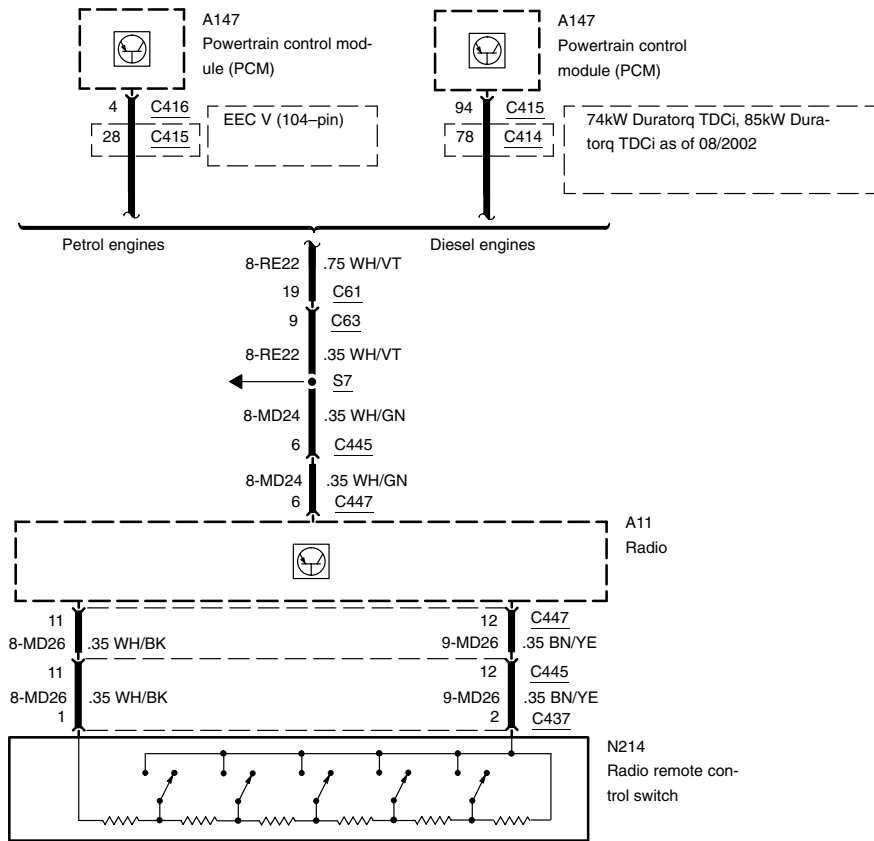








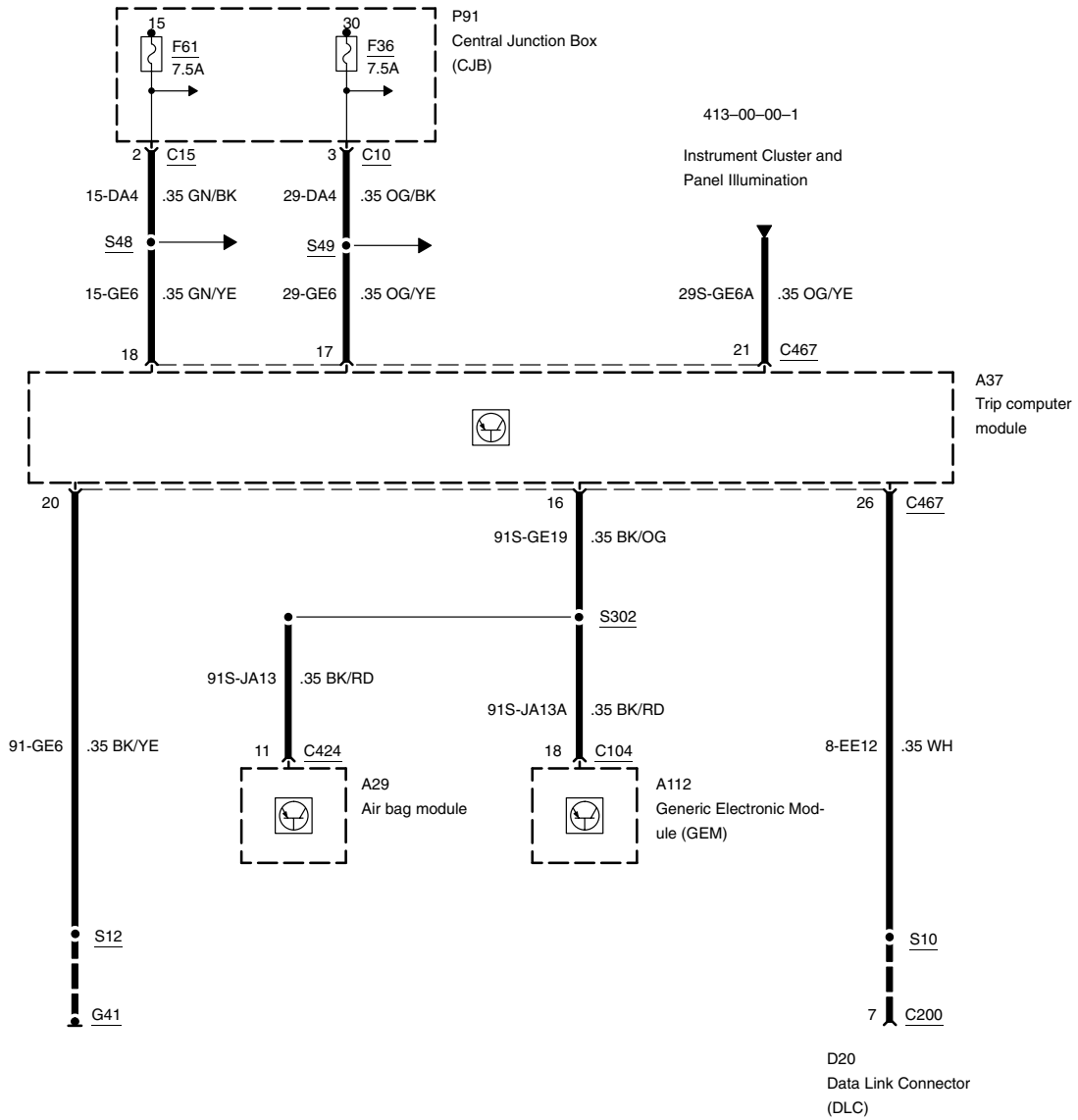




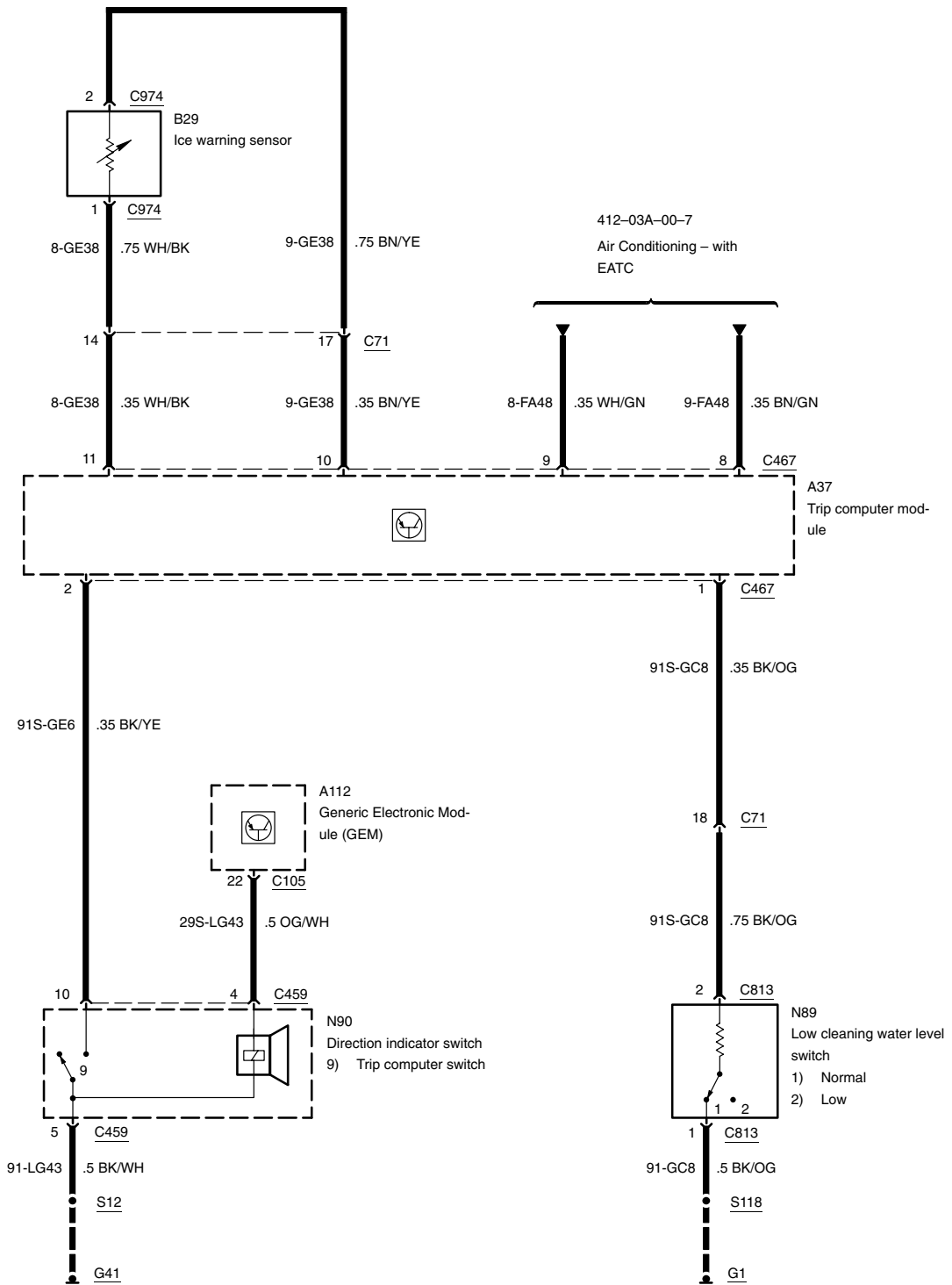


### Trip computer

-1

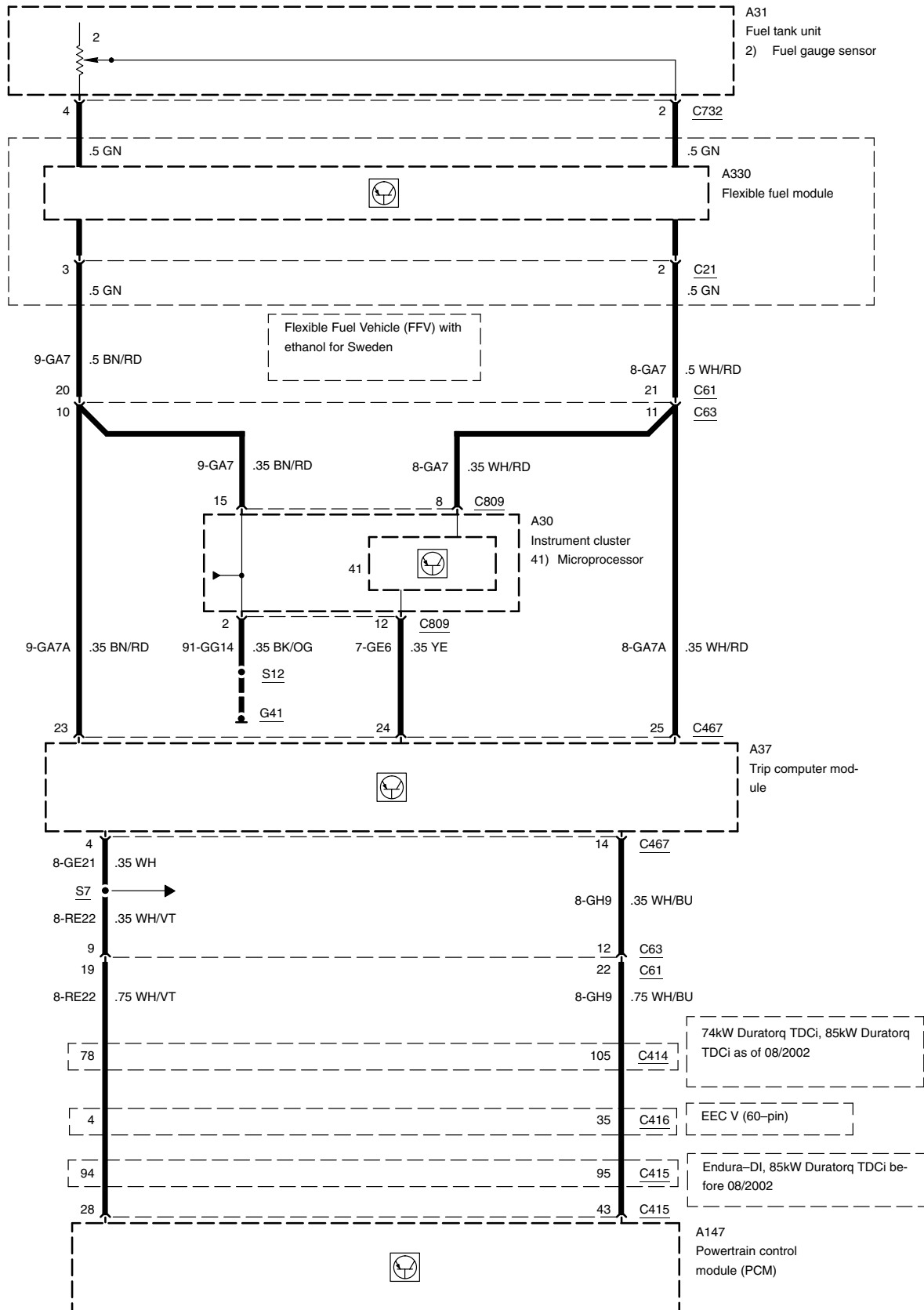


### Trip computer



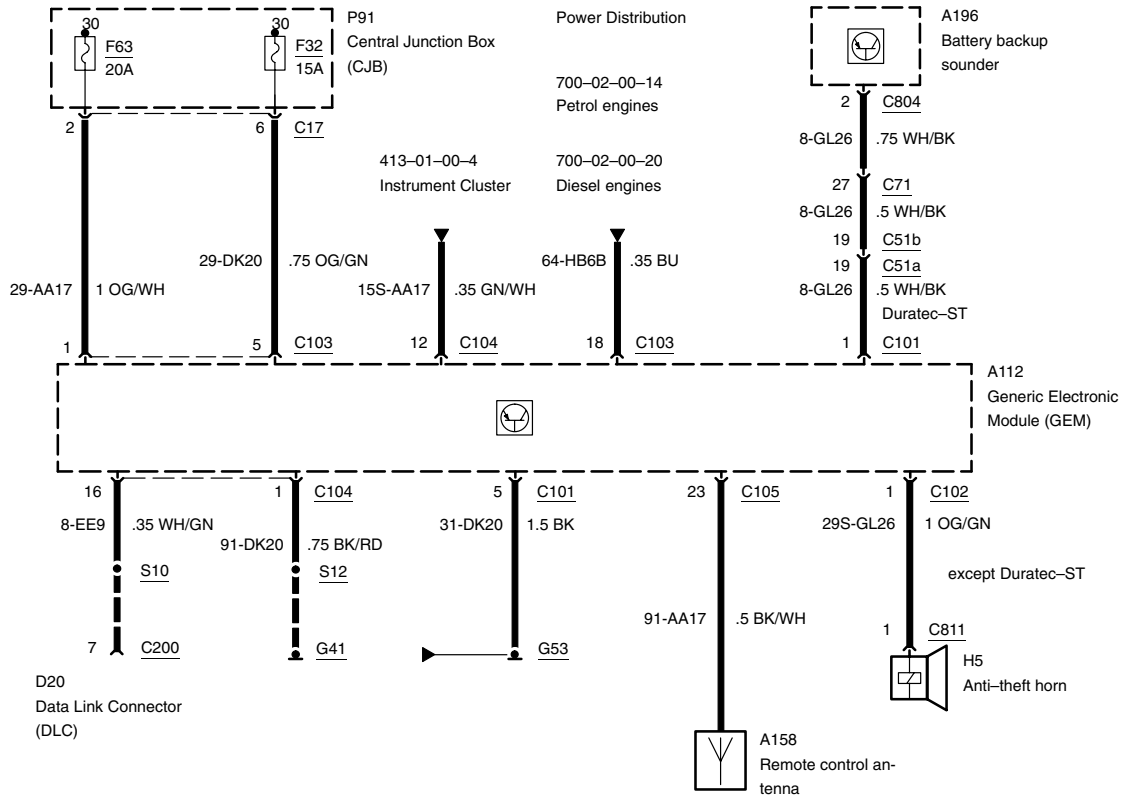
Trip computer

-3



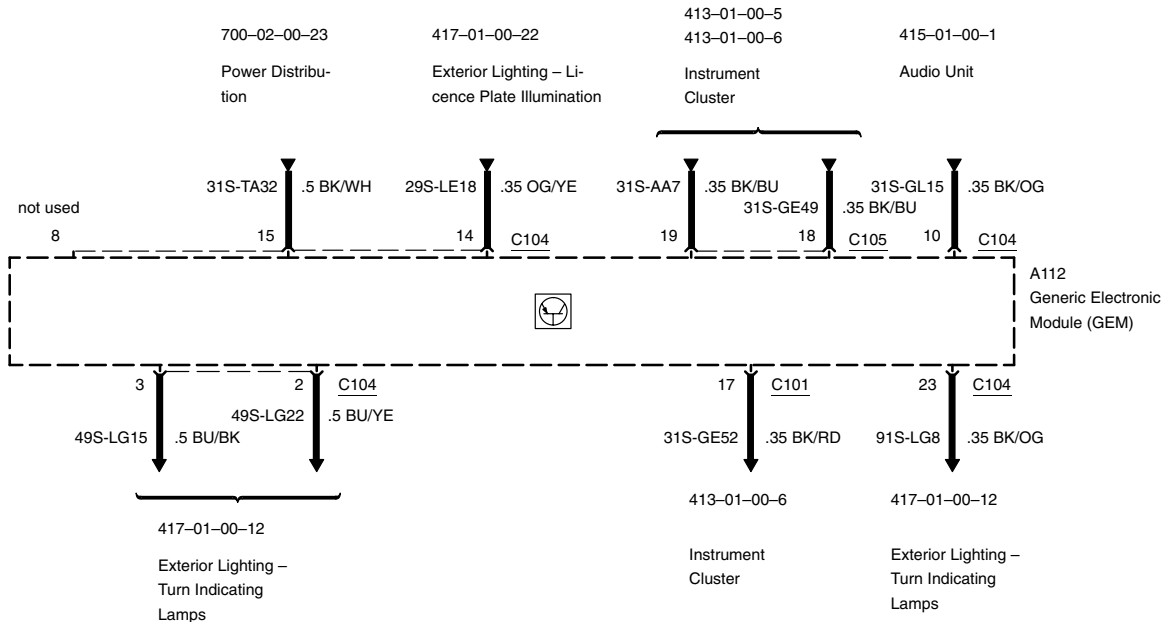
Generic Electronic Module (GEM)

-4



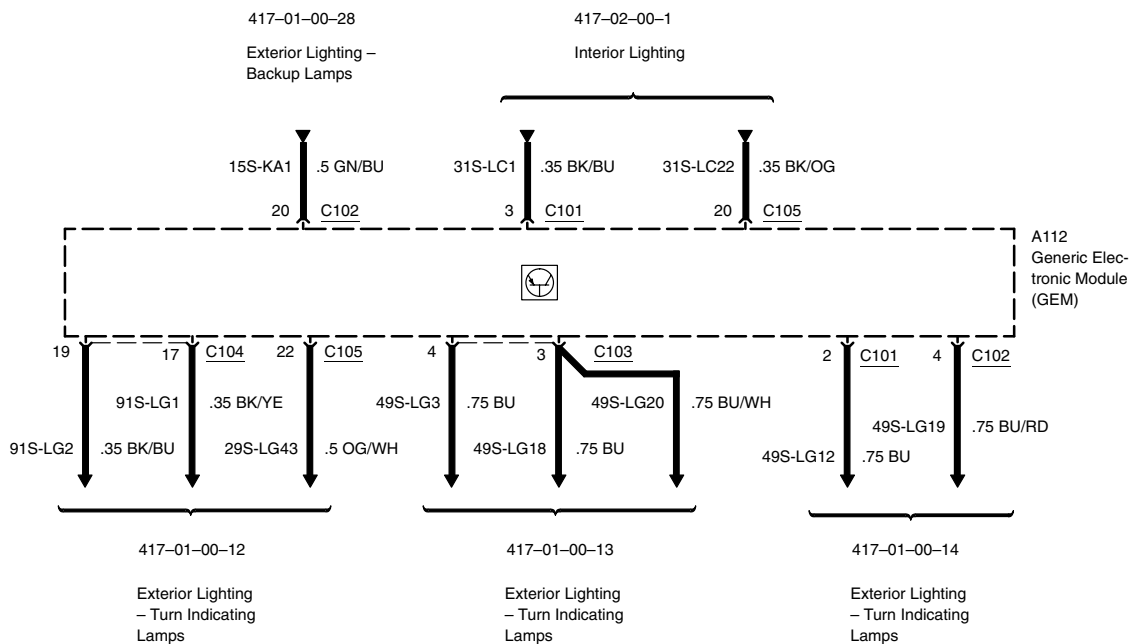
Generic Electronic Module (GEM)

-5



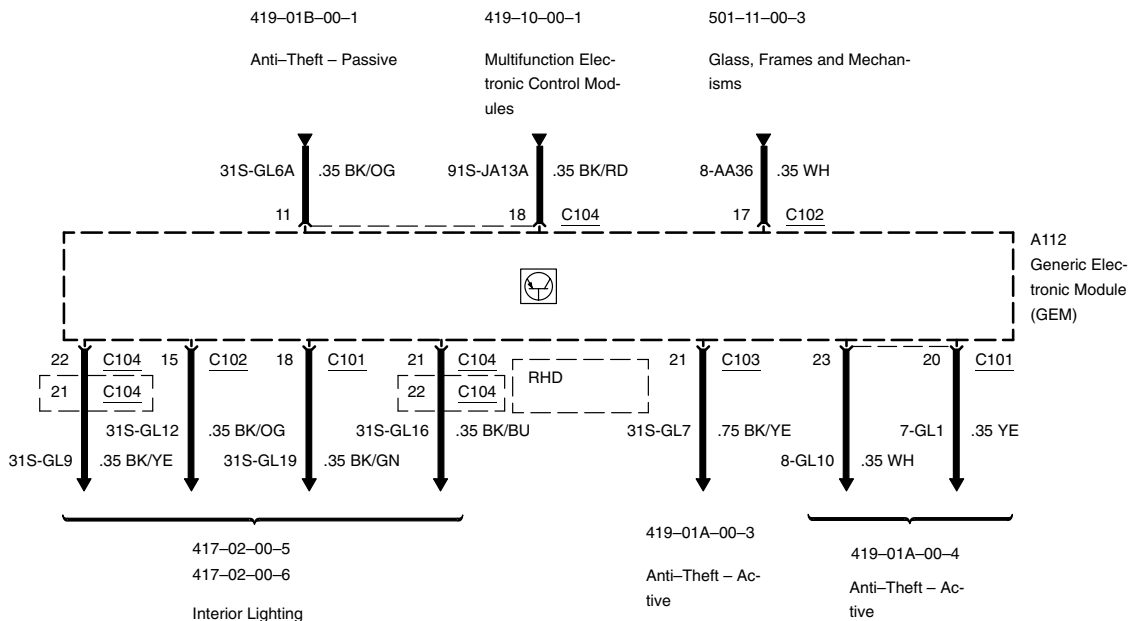
Generic Electronic Module (GEM)

-6



Generic Electronic Module (GEM)

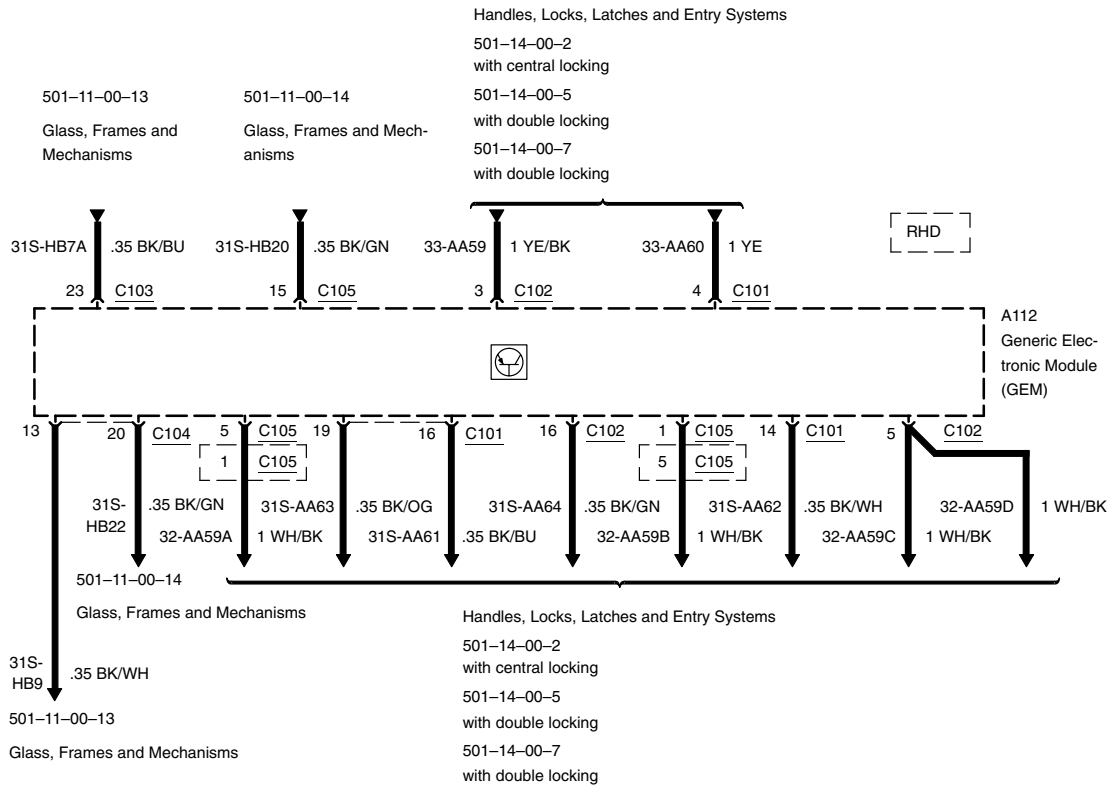
-7





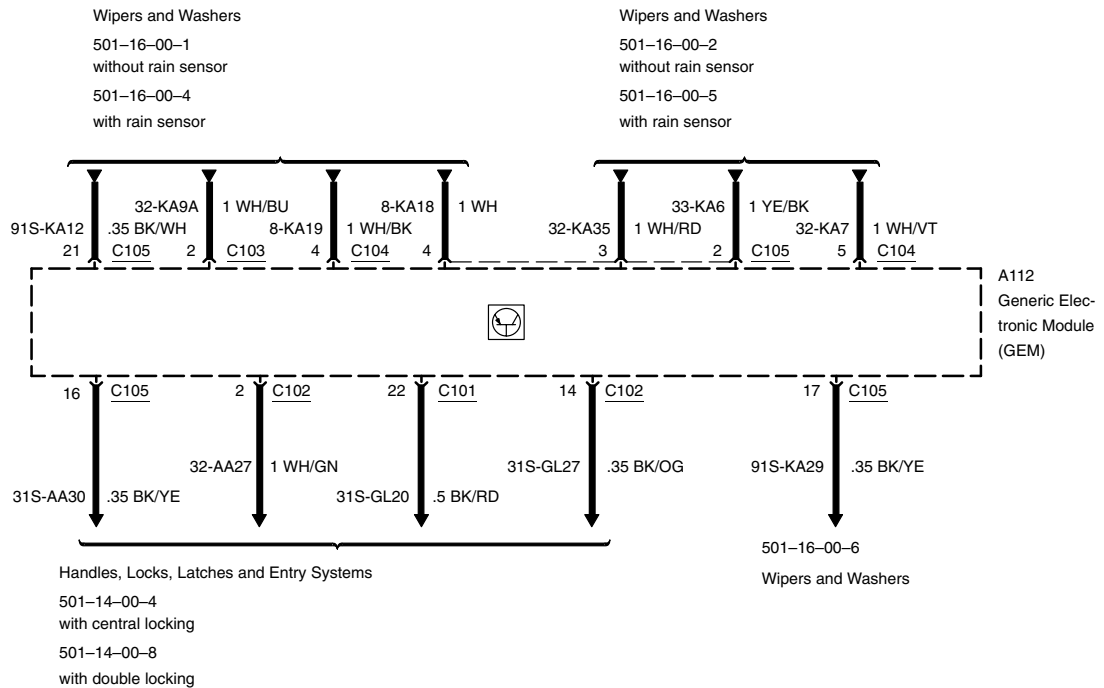
Generic Electronic Module (GEM)

-8



Generic Electronic Module (GEM)

-9

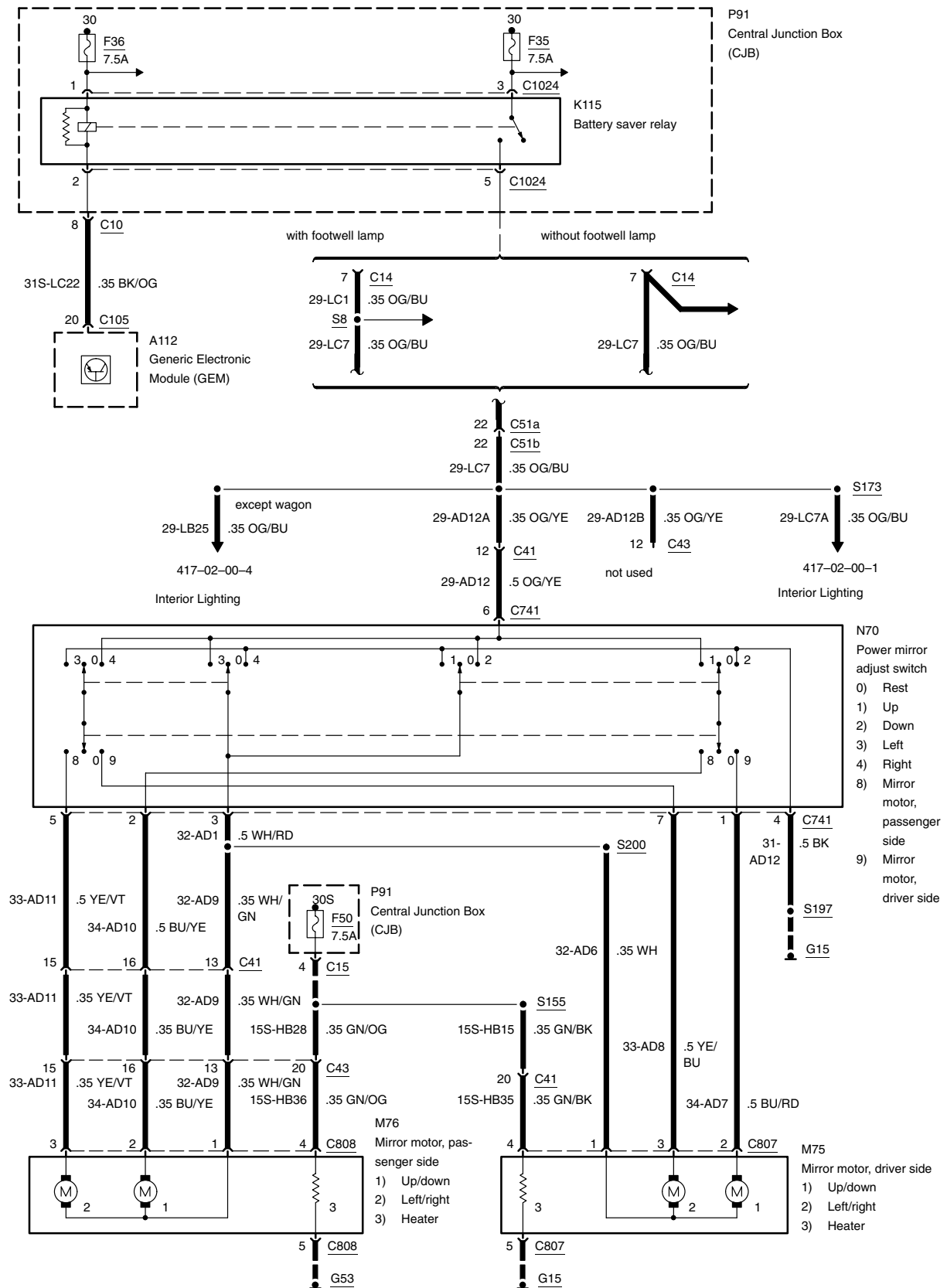




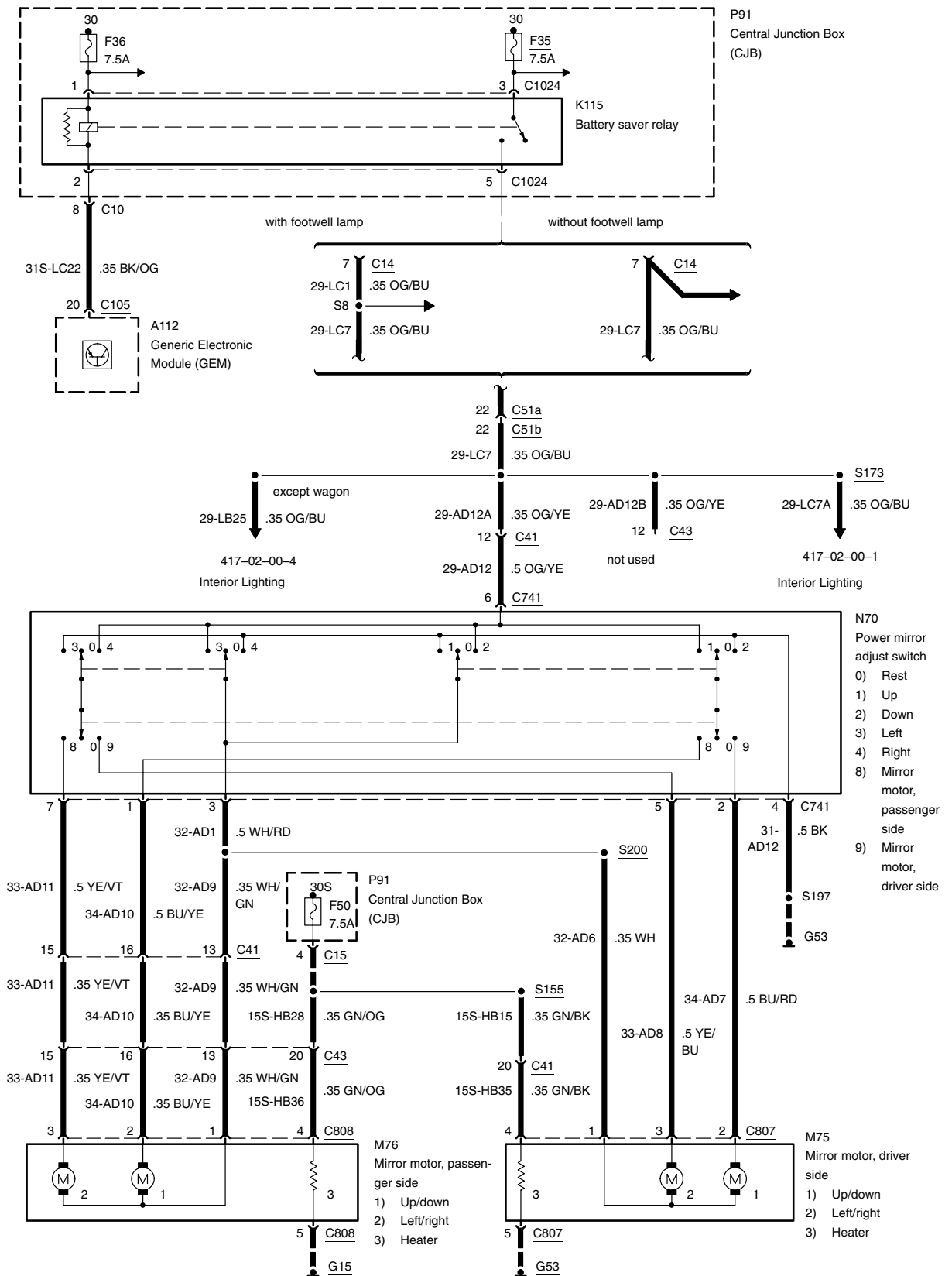


LHD

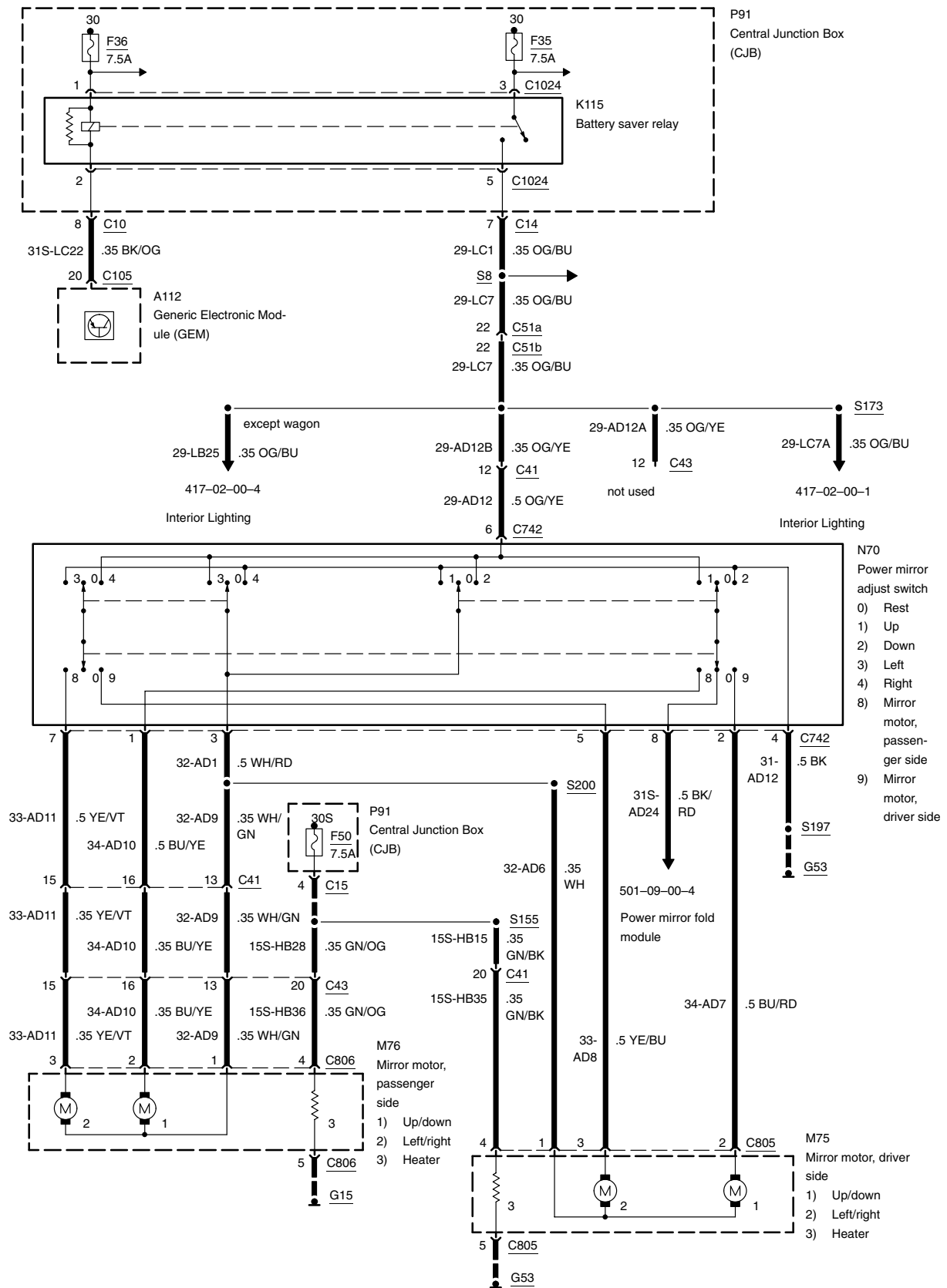
-1



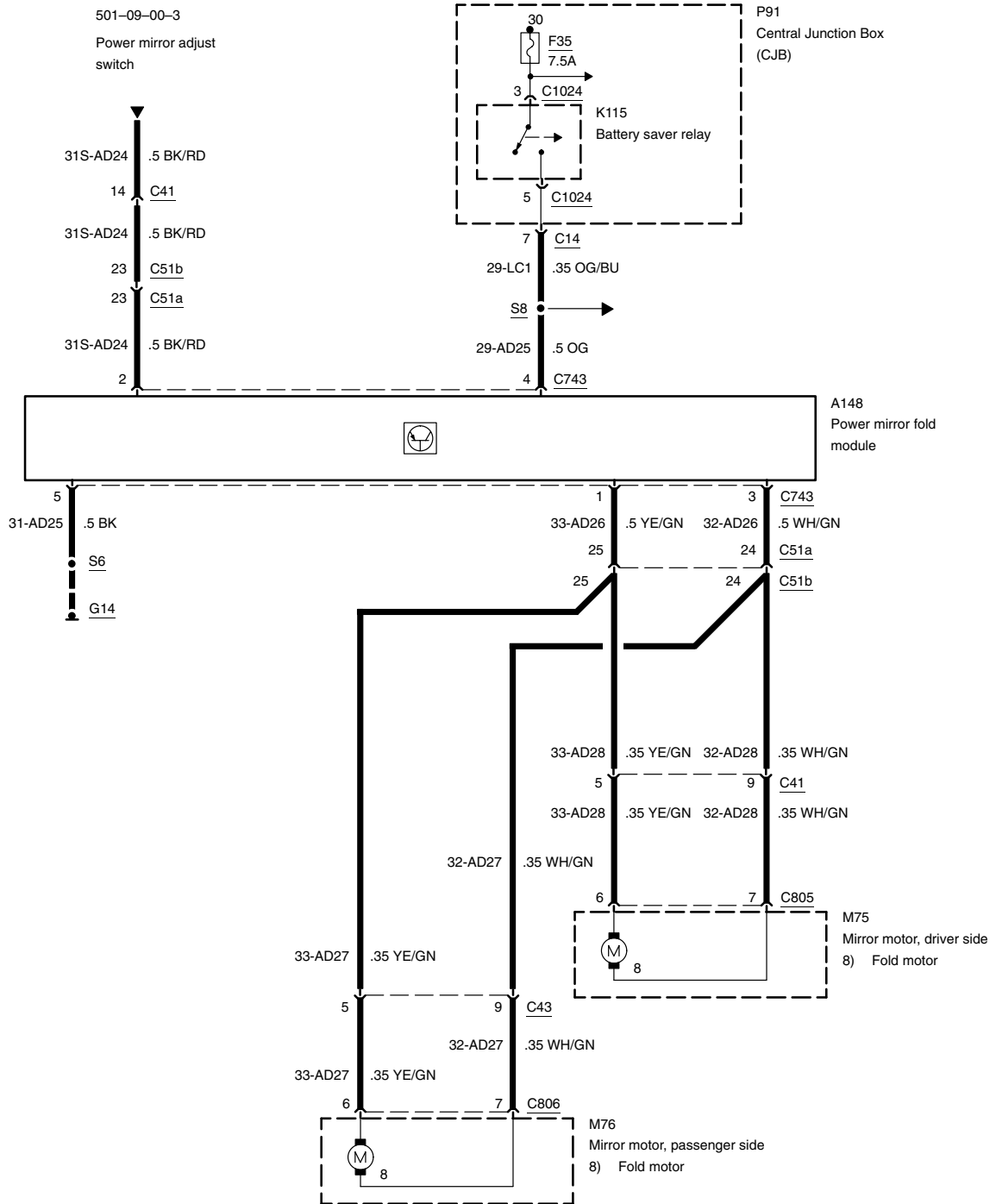
RHD, except Japan



RHD, Japan

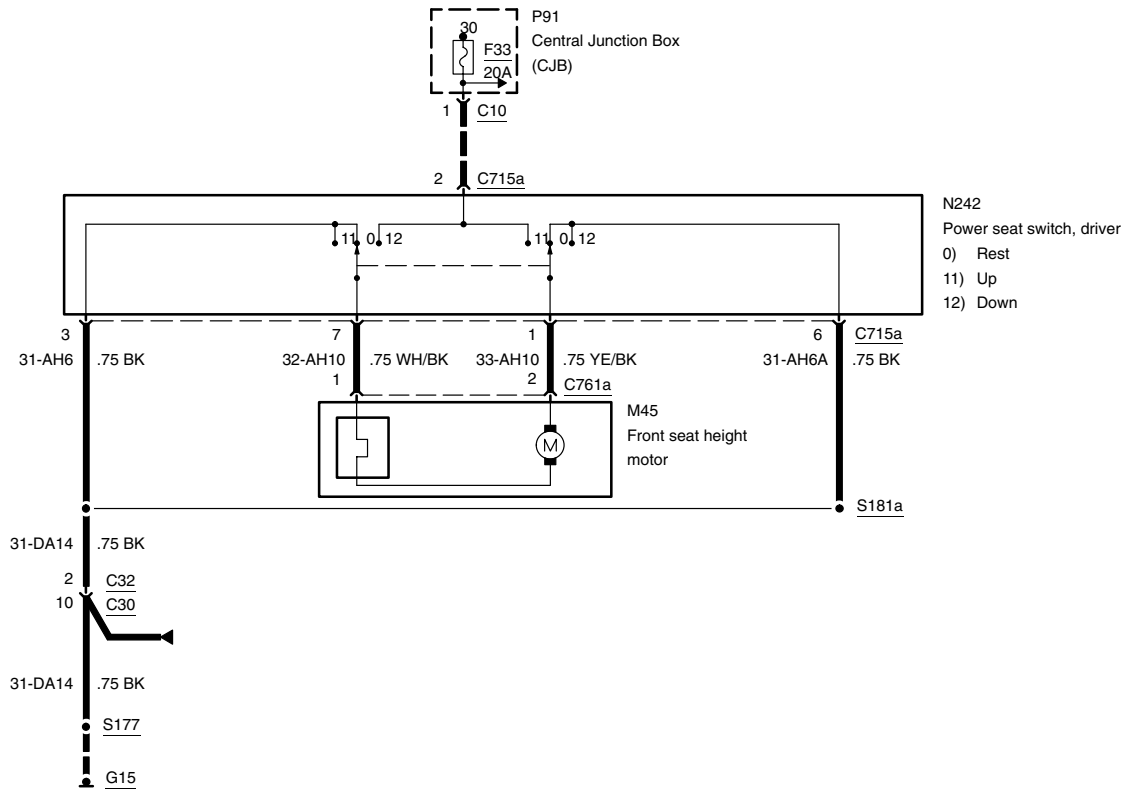


RHD, Japan



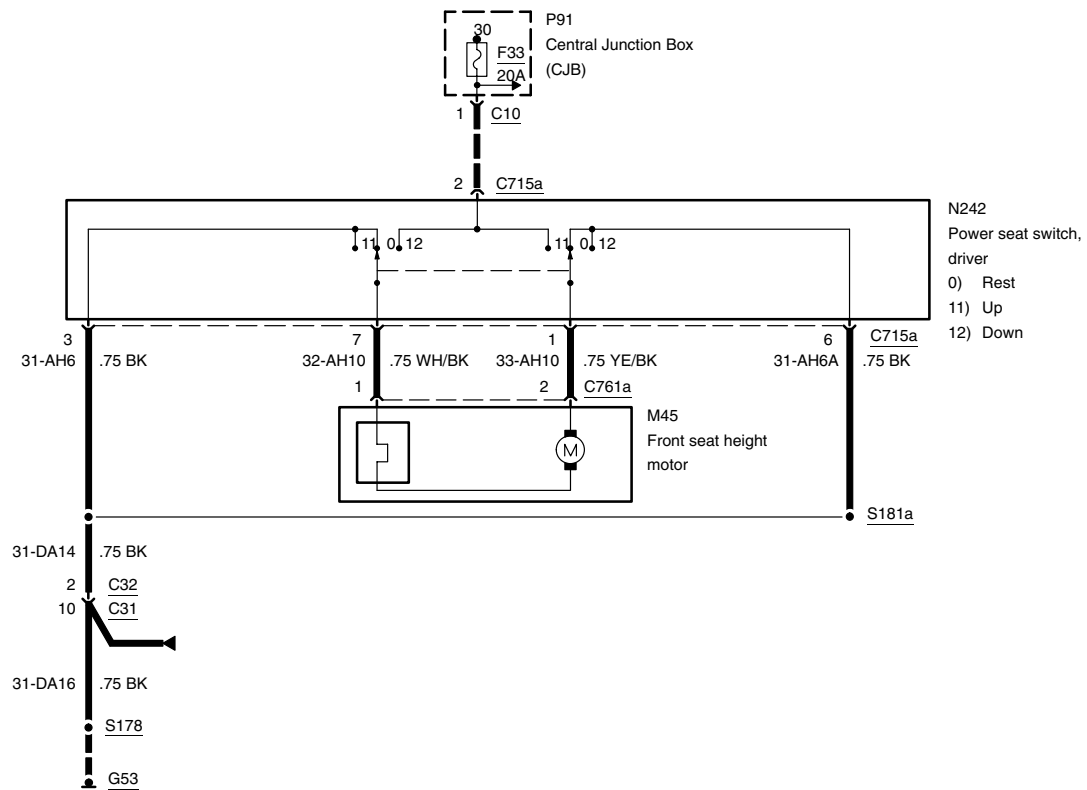
Power seats, LHD, except Duratec-ST

-1



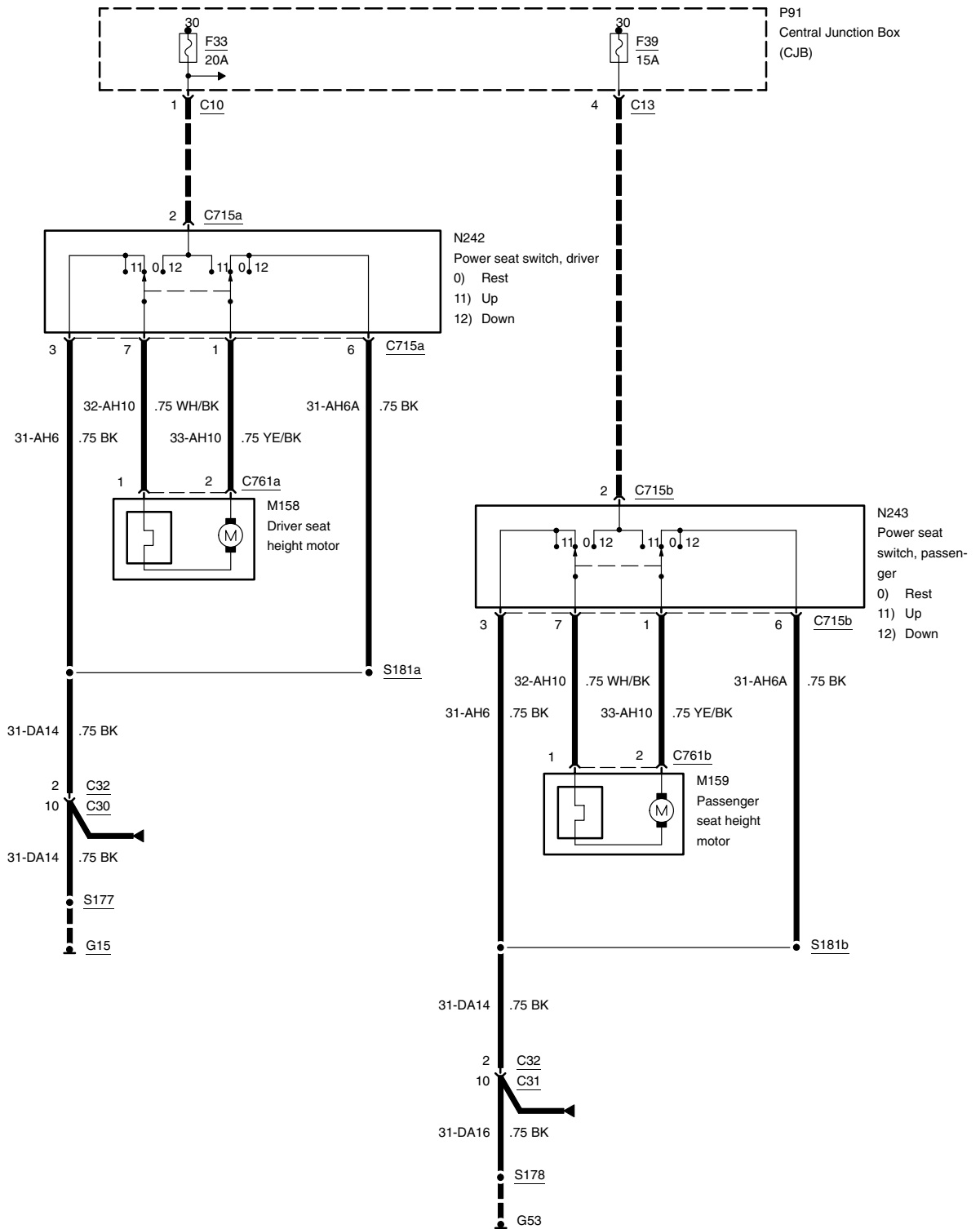
Power seats, RHD, except Duratec-ST

-2

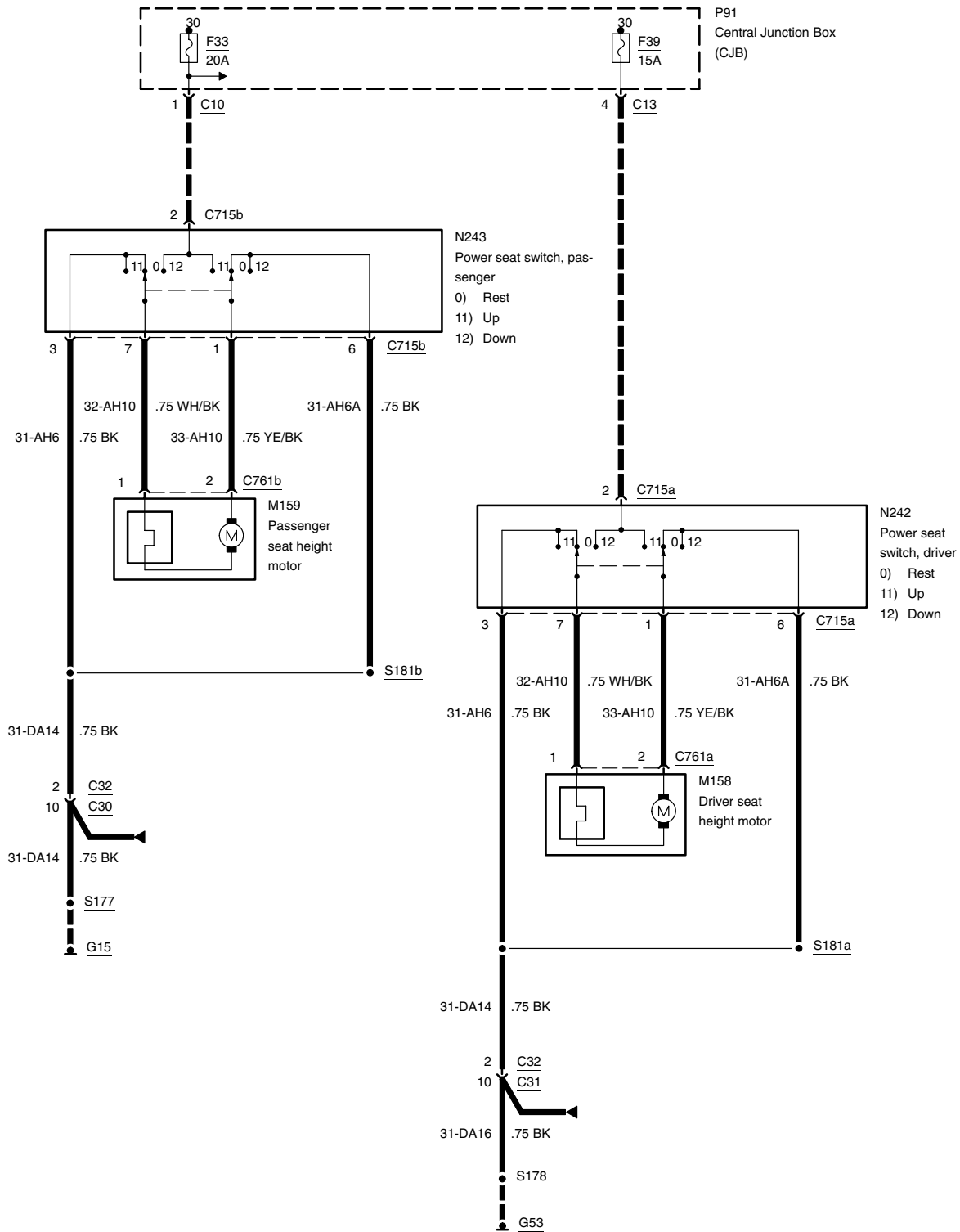




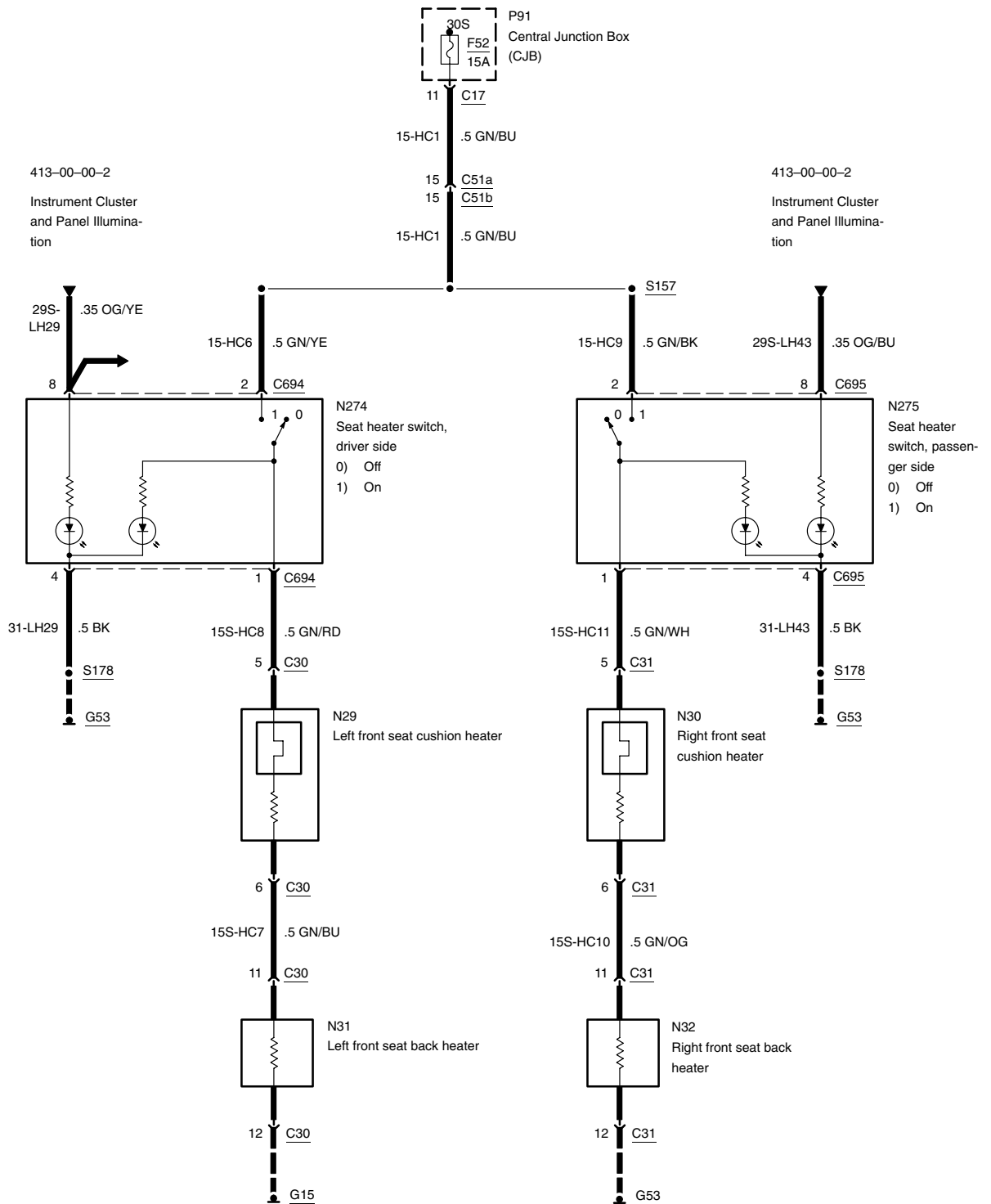
Power seats, LHD, Duratec-ST



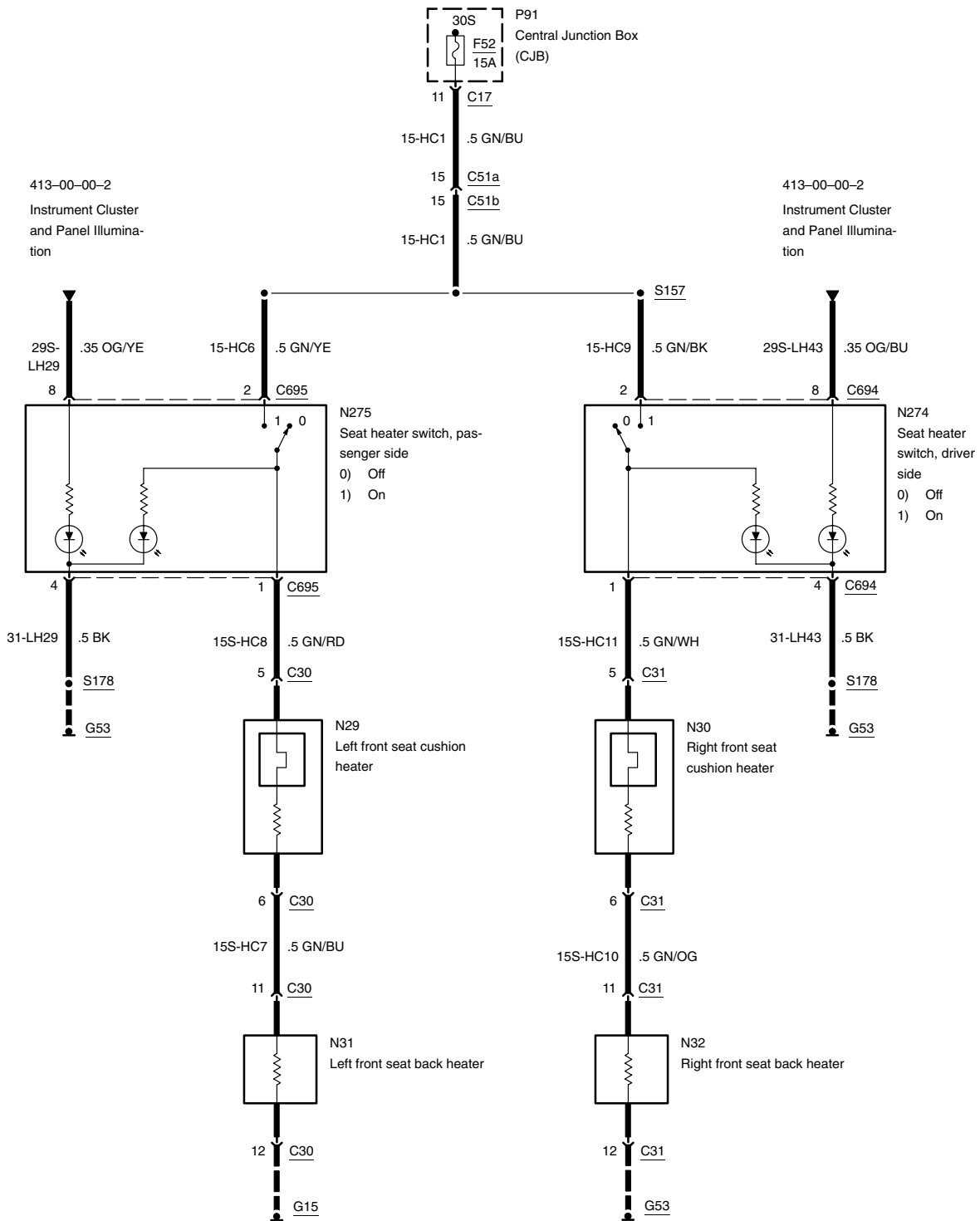
Power seats, RHD, Duratec-ST



### Heated seats, LHD



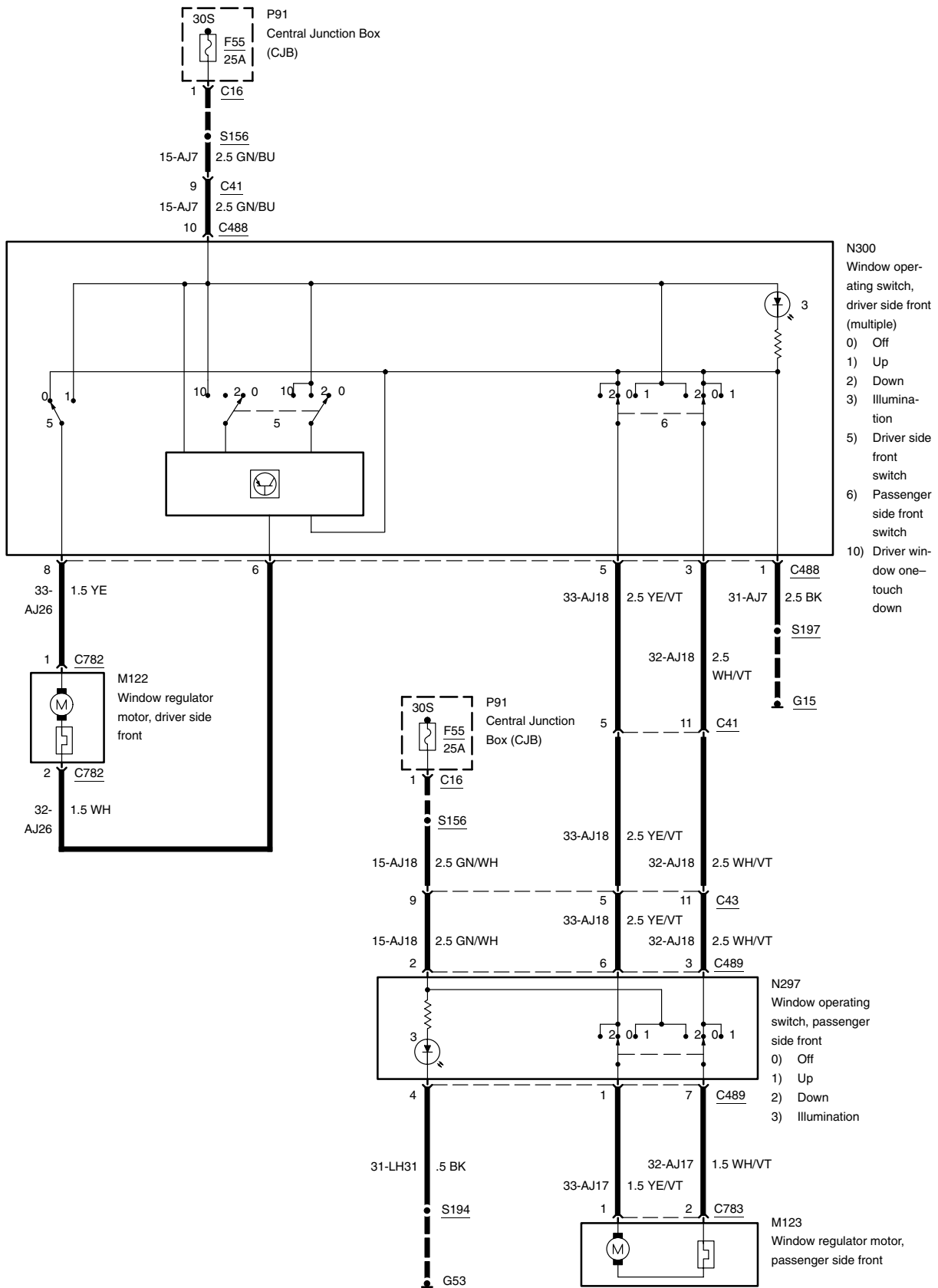
Heated seats, RHD



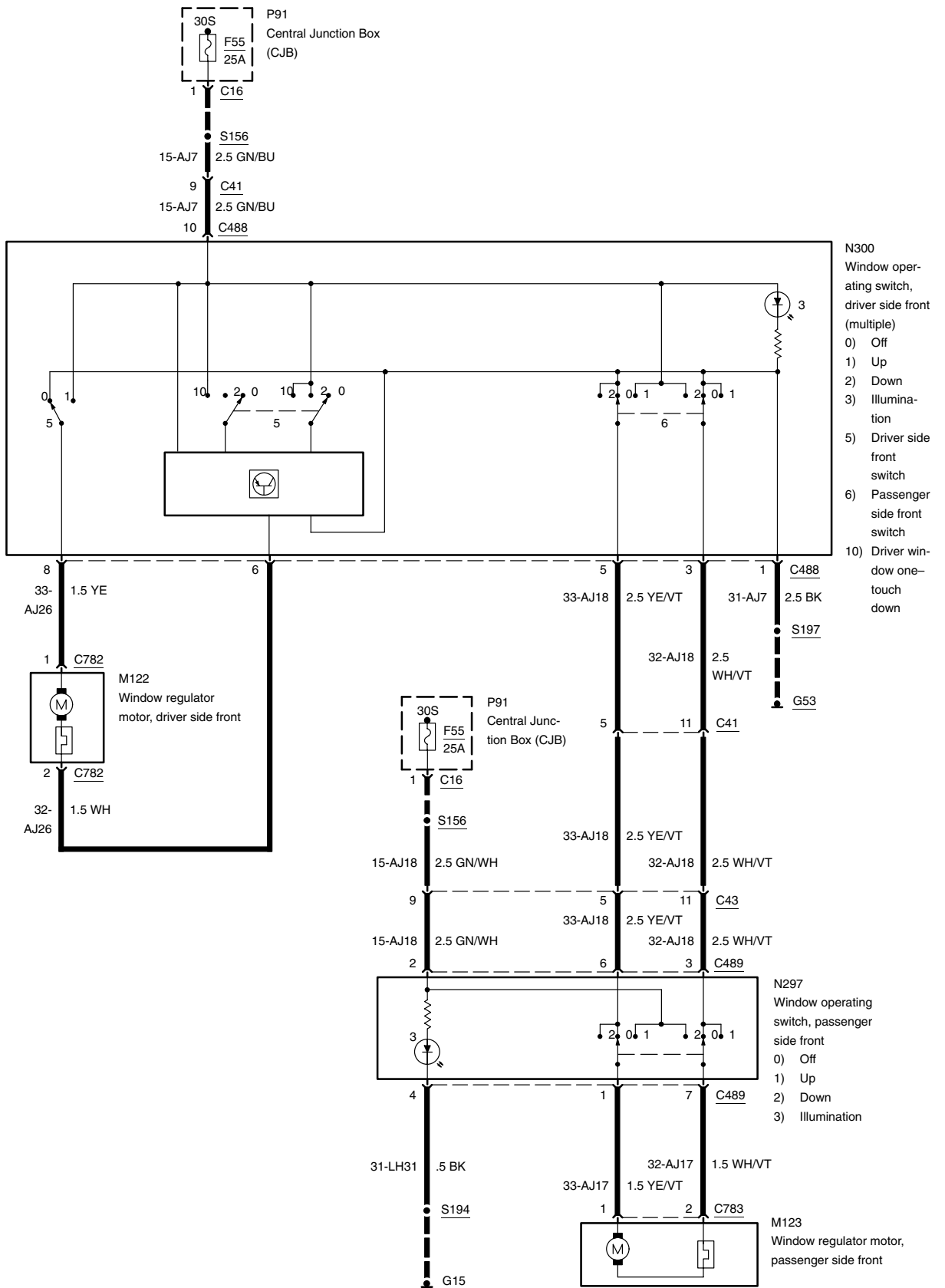


LHD, with front power windows

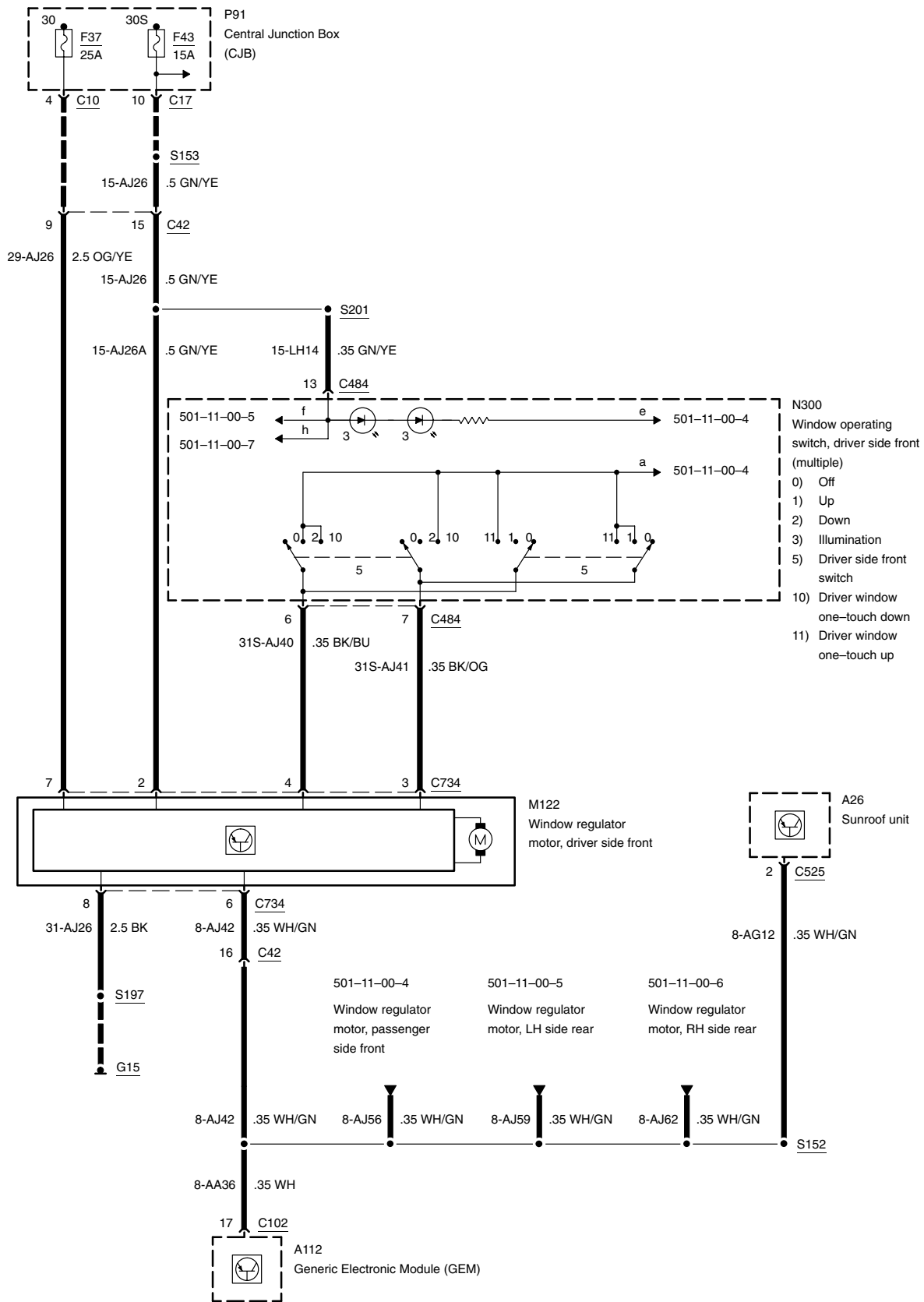
-1



RHD, with front power windows

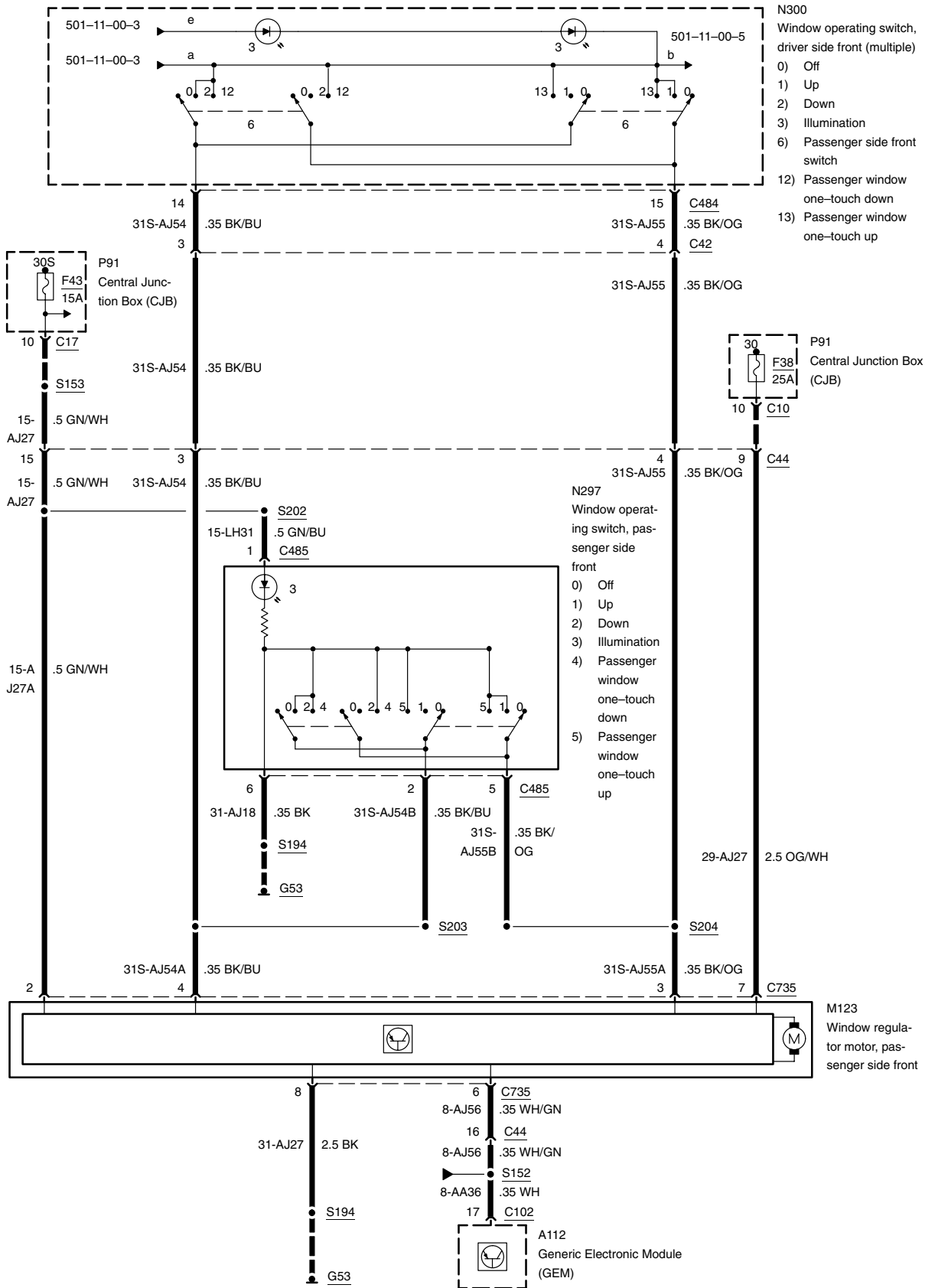


LHD, with front and rear power windows

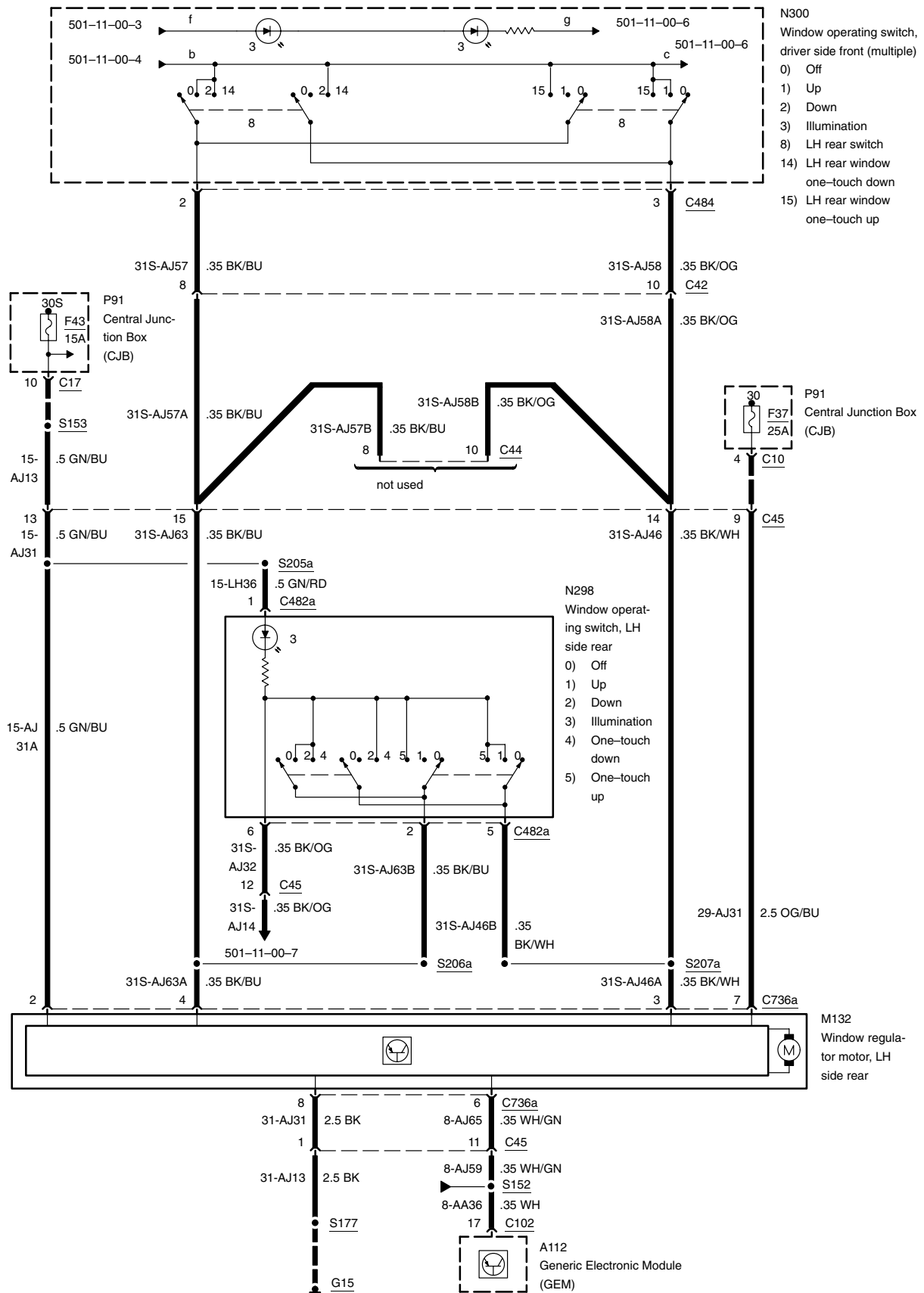




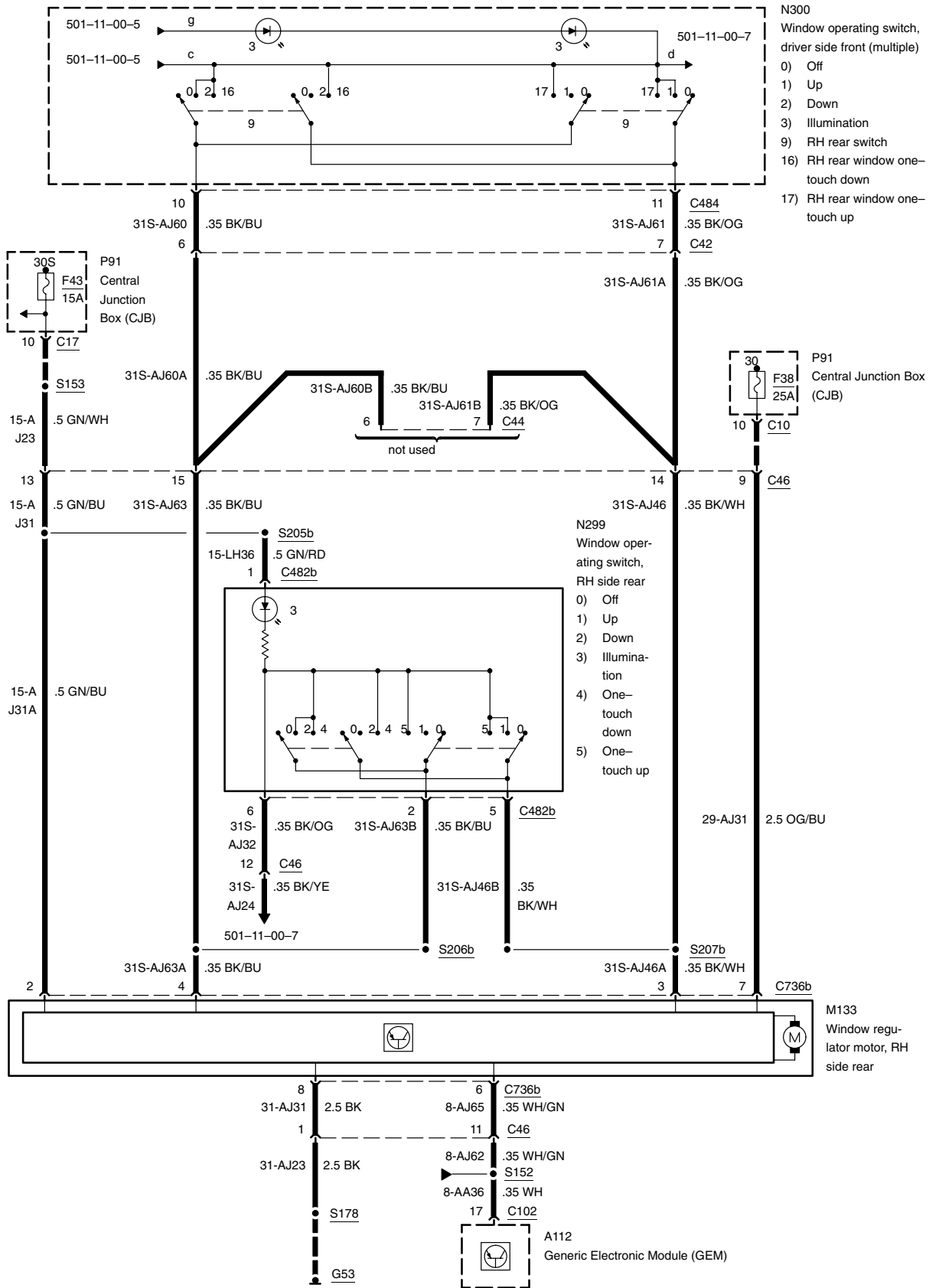
LHD, with front and rear power windows



LHD, with front and rear power windows

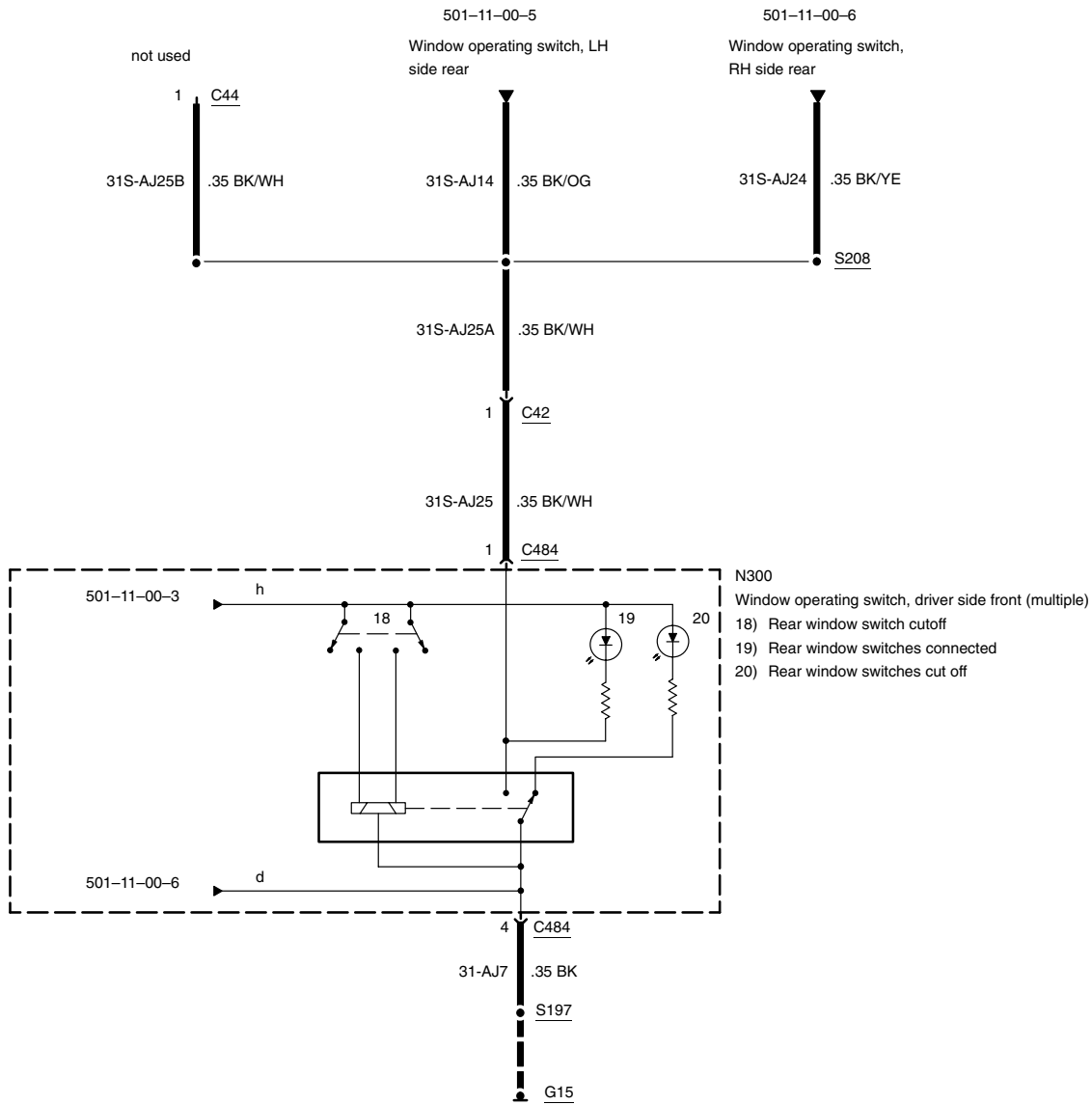


LHD, with front and rear power windows

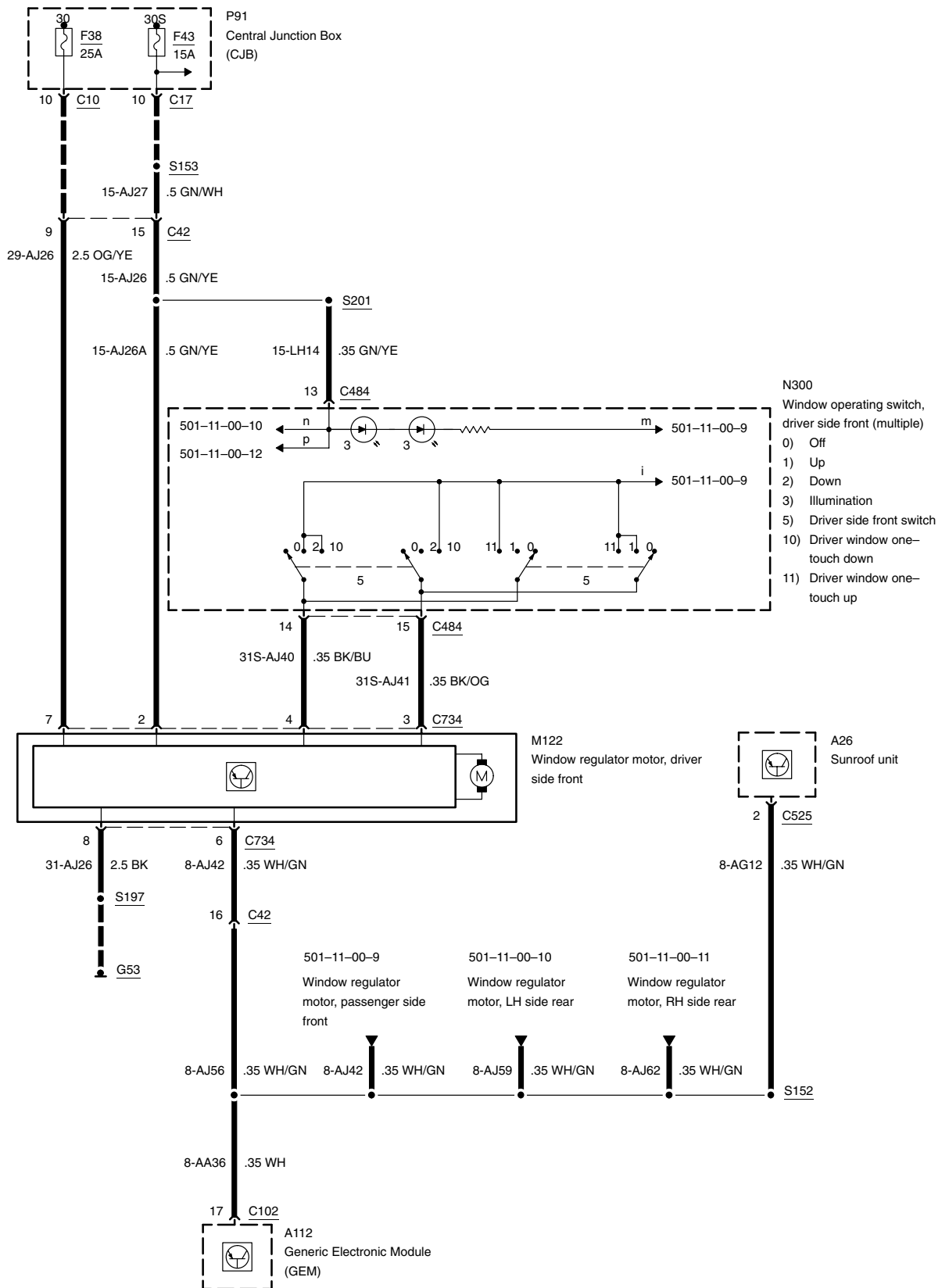


LHD, with front and rear power windows

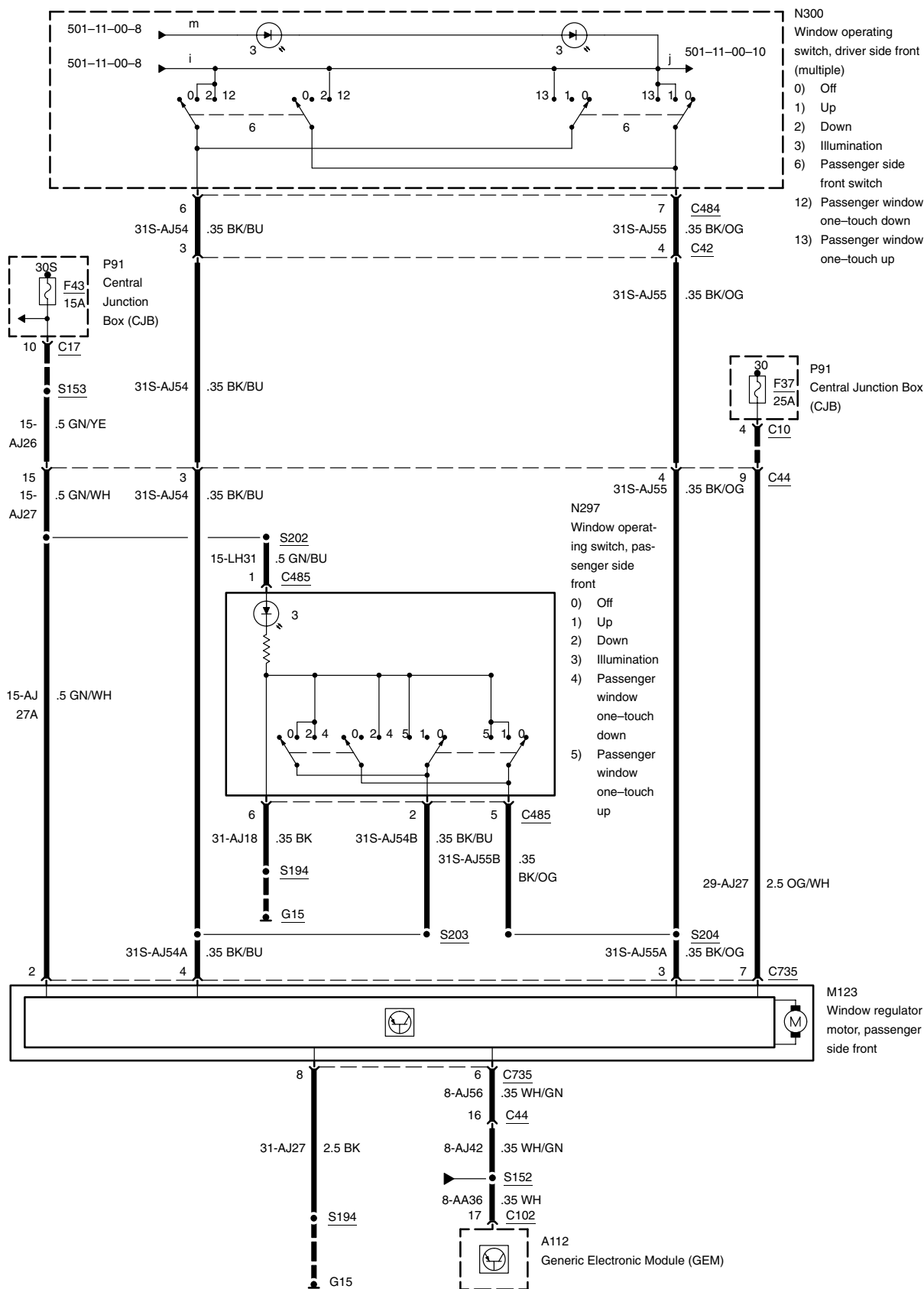
-7



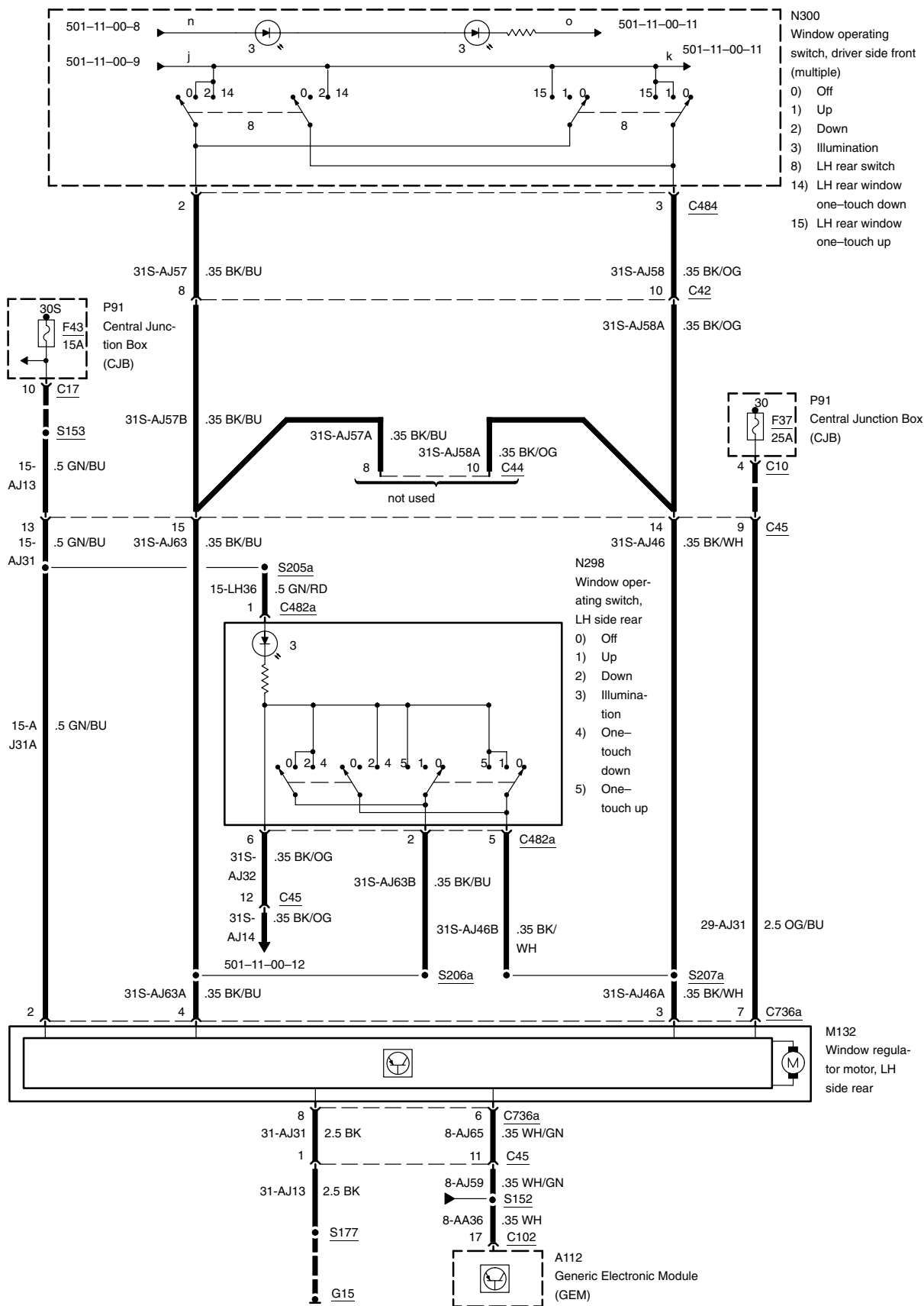
RHD, with front and rear power windows



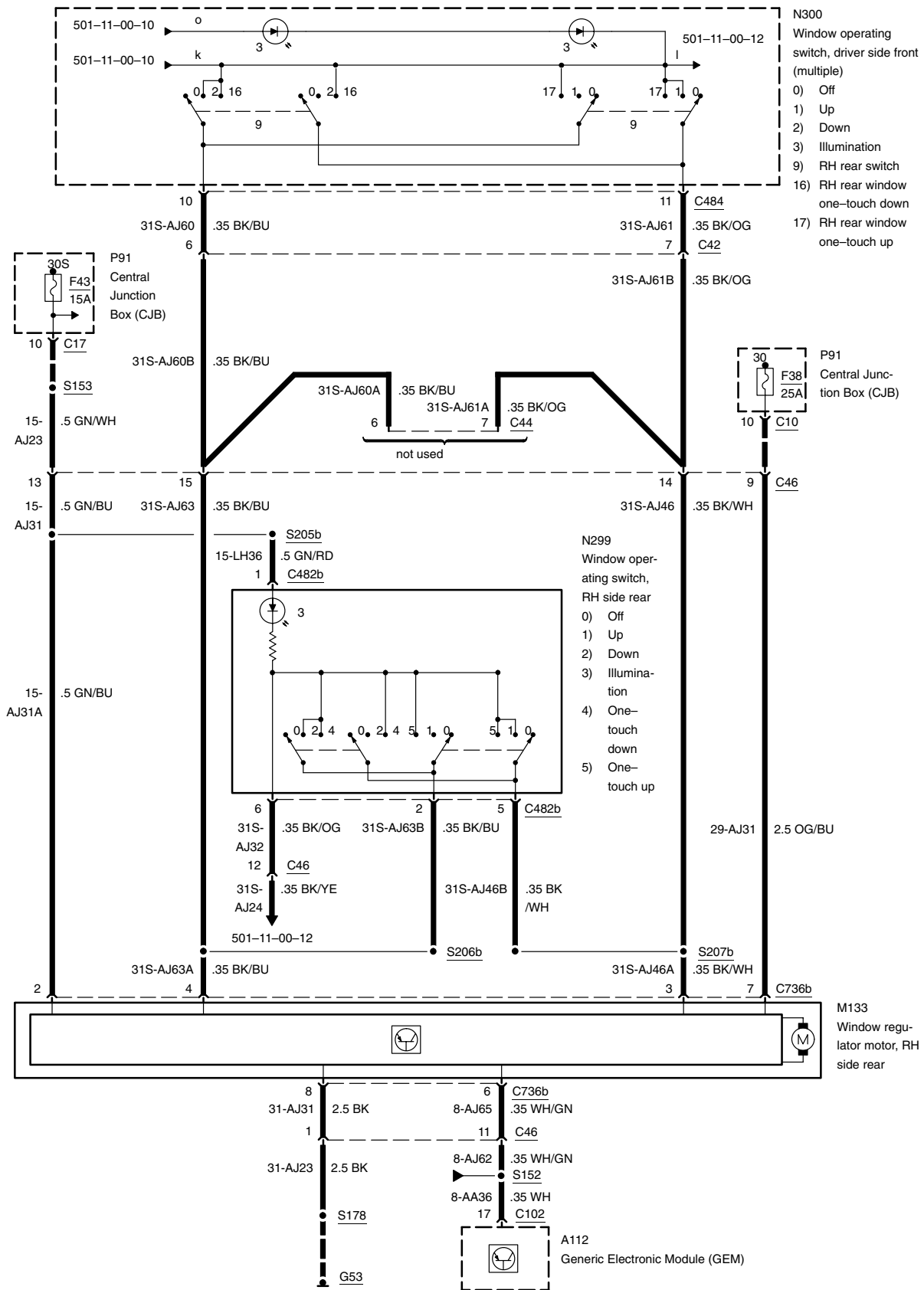
RHD, with front and rear power windows



RHD, with front and rear power windows



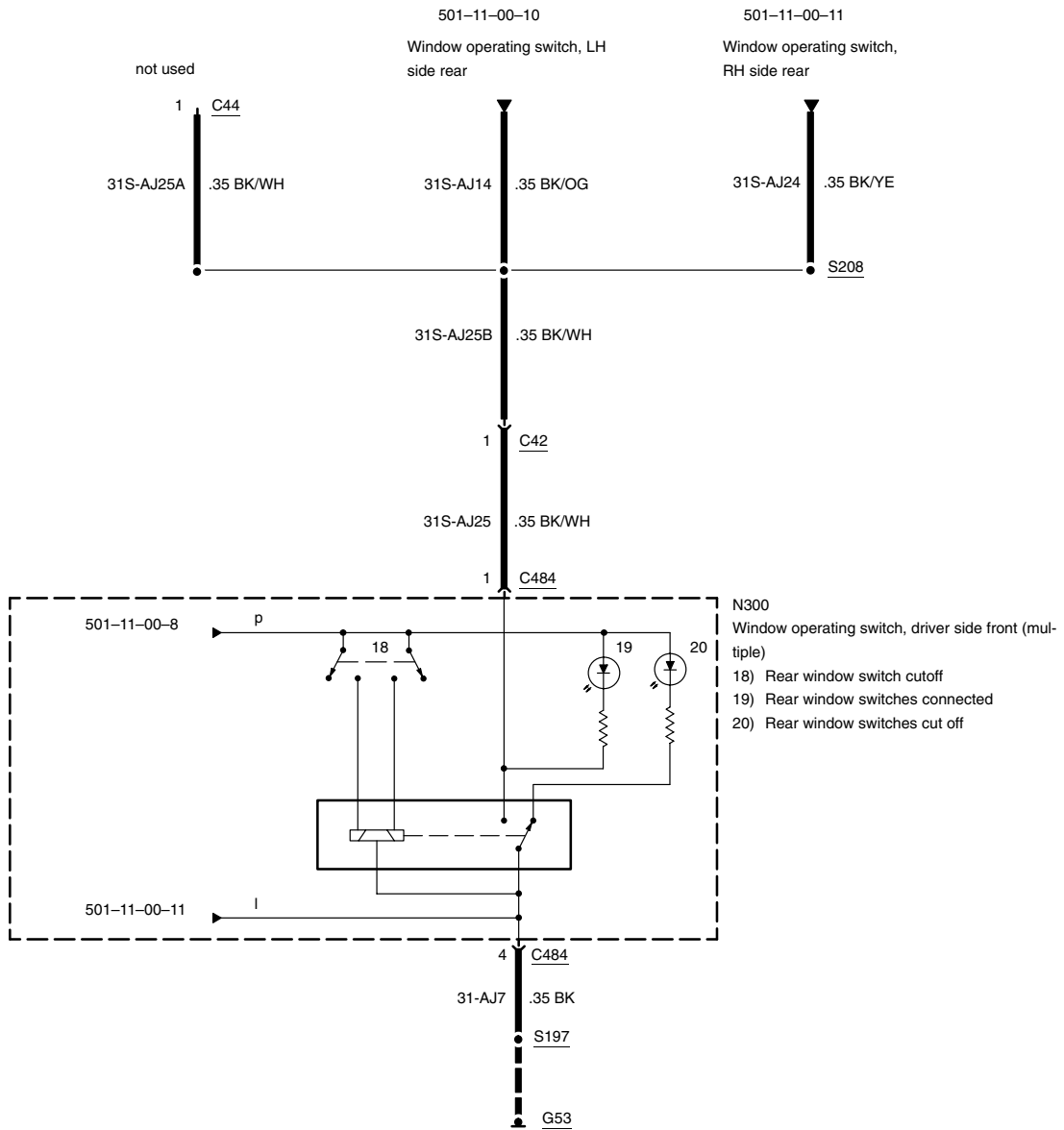
RHD, with front and rear power windows



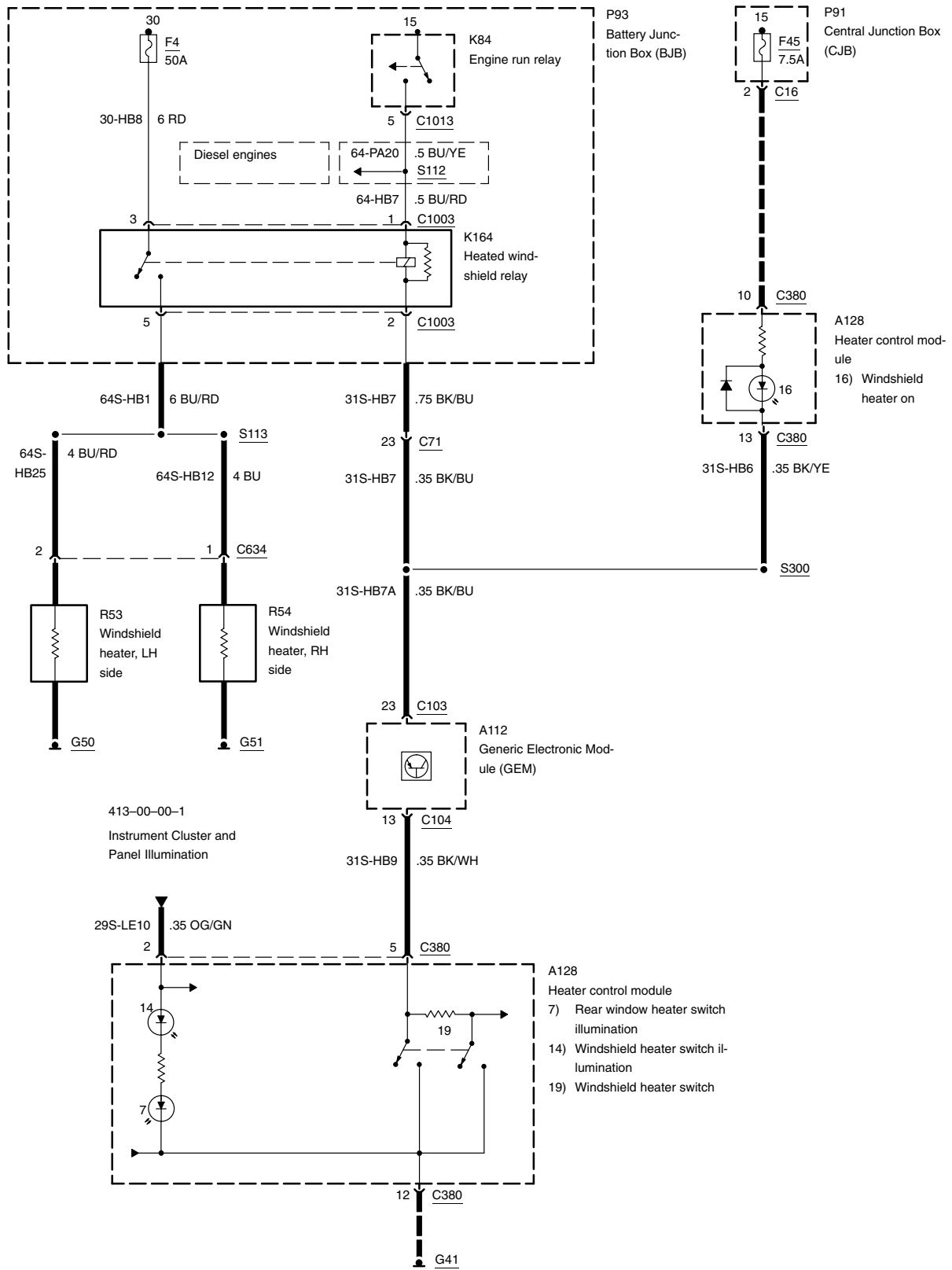


### RHD, with front and rear power windows

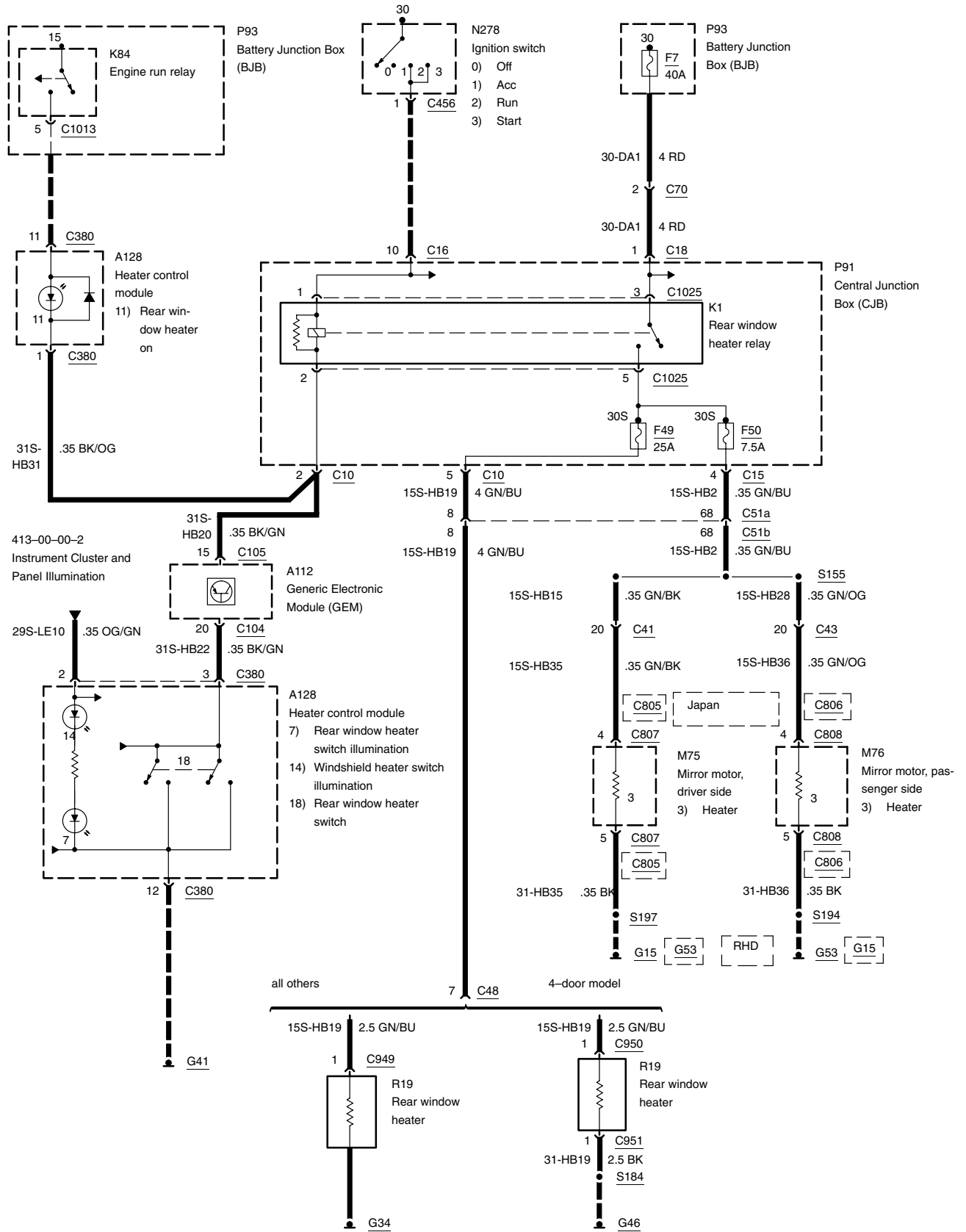
-12



without EATC

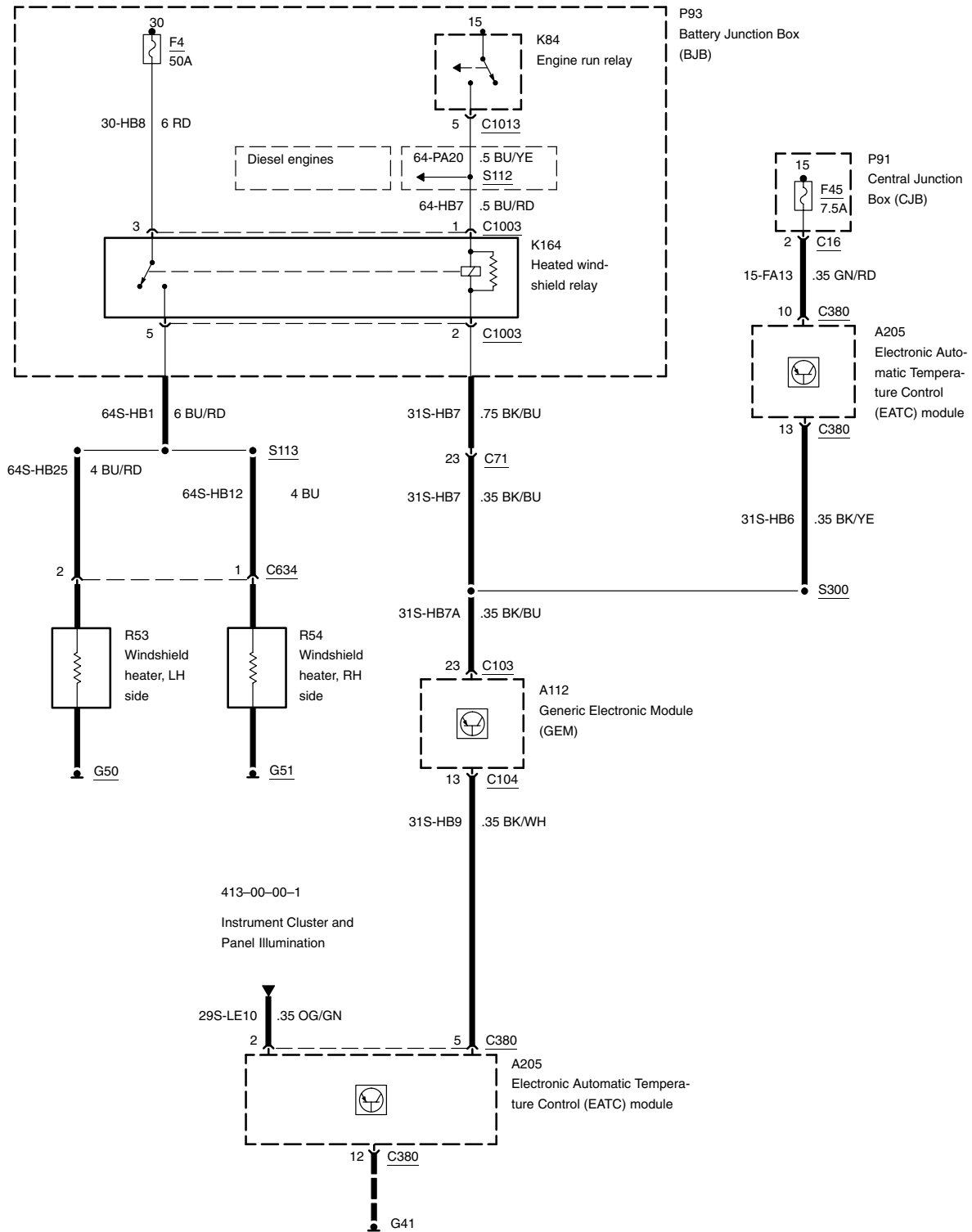


without EATC

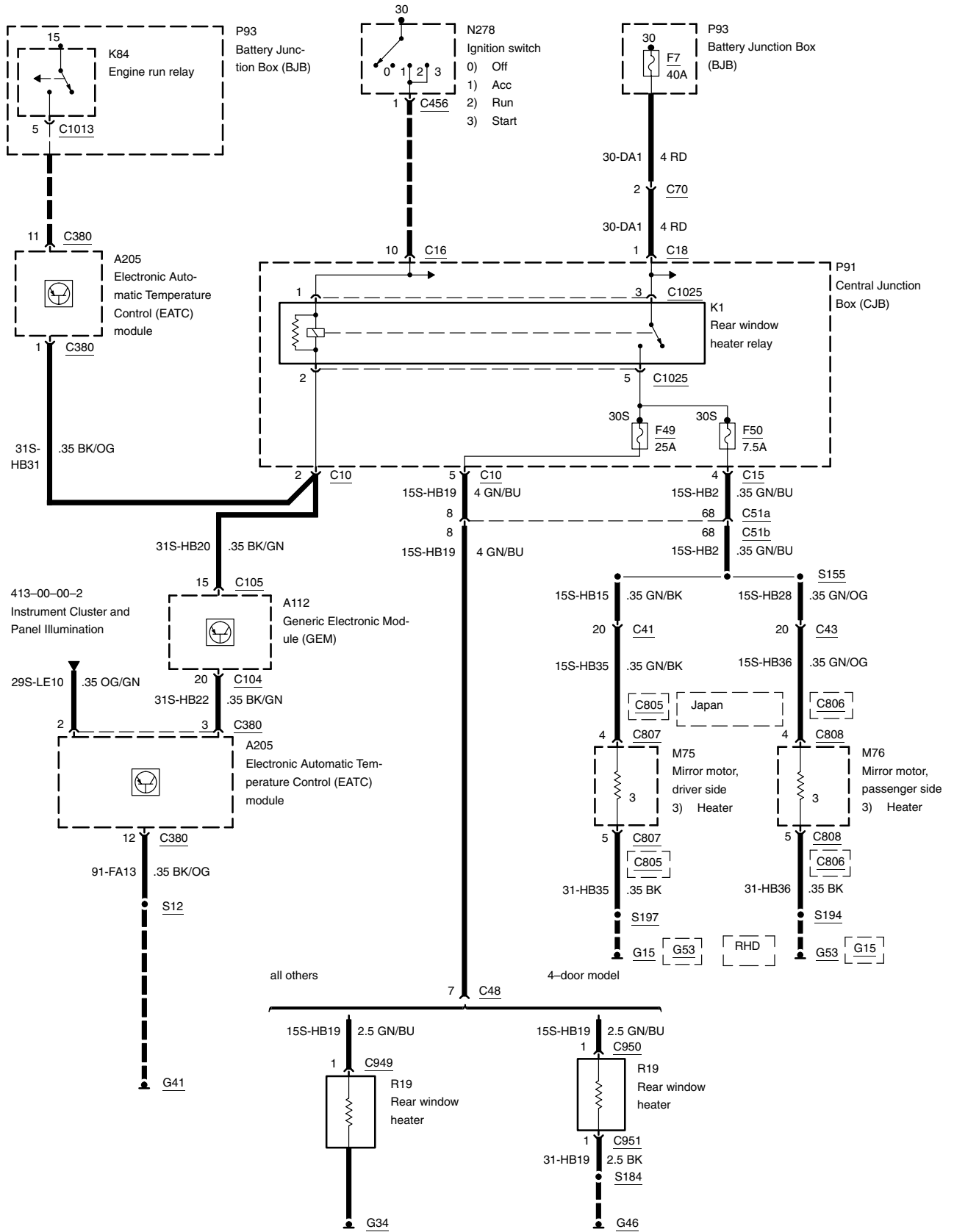


with EATC

-15

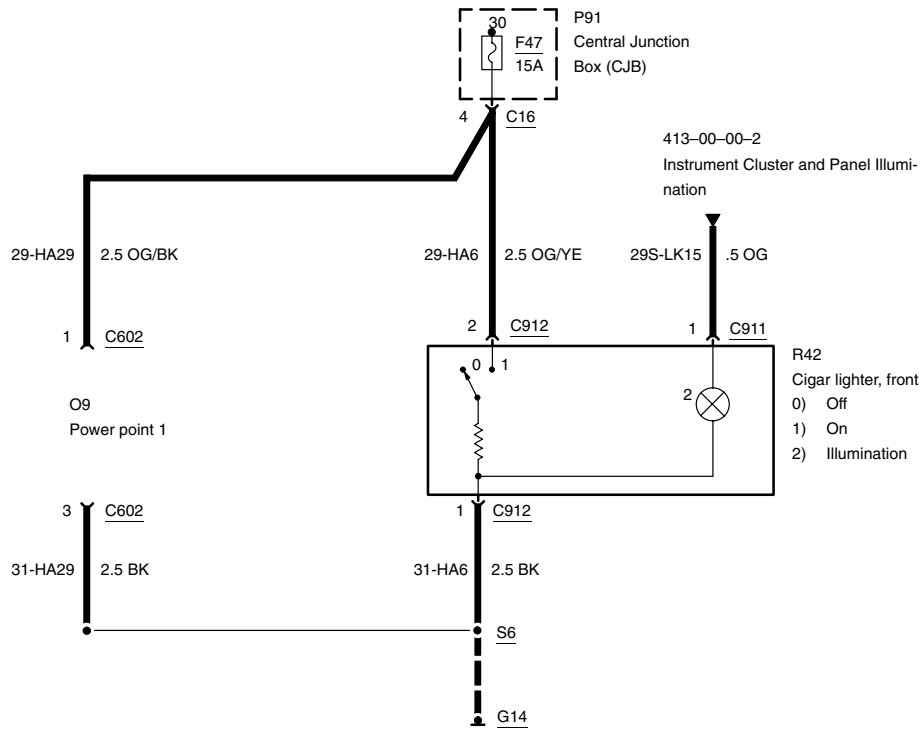


with EATC

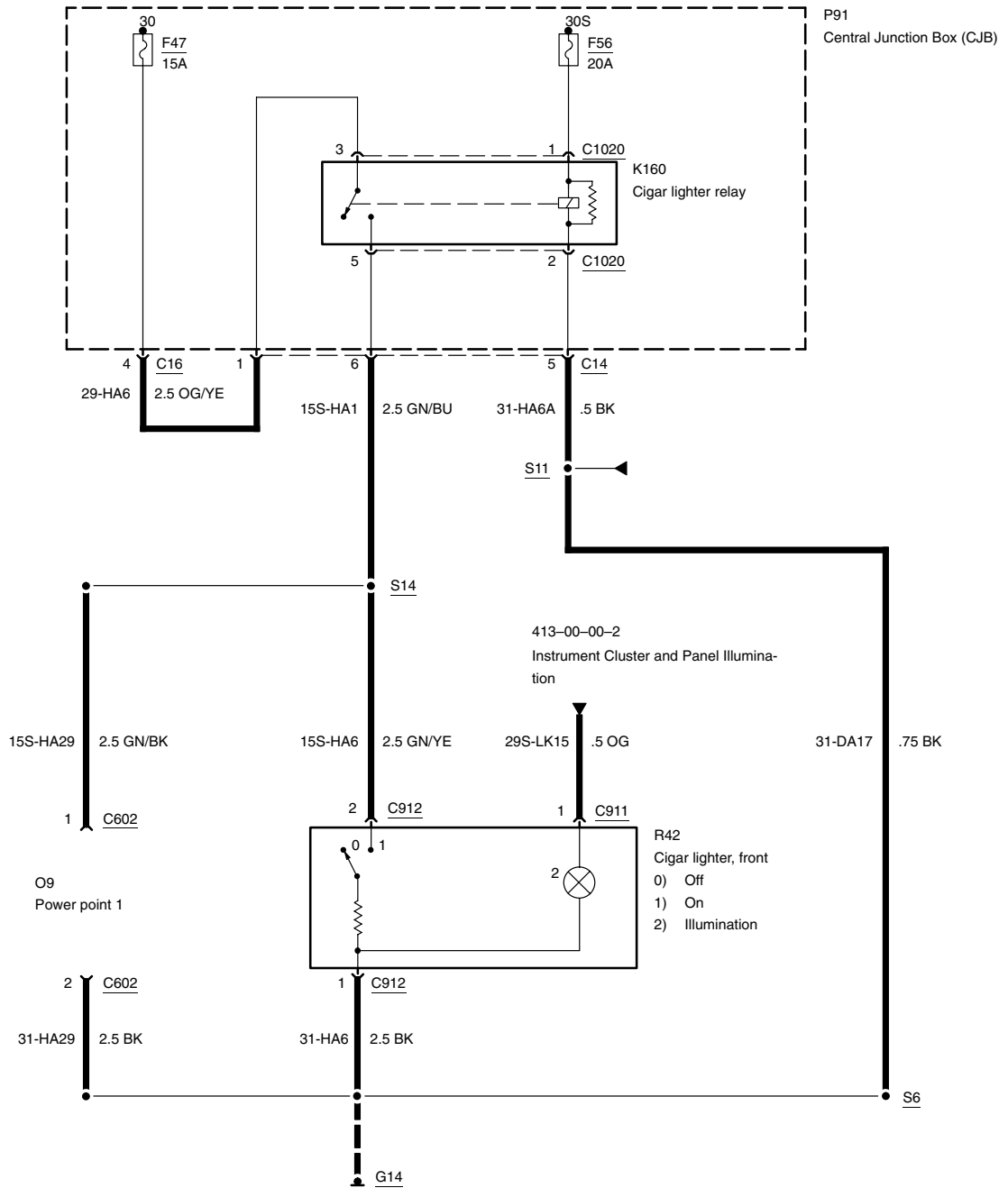


except Australia, except Japan

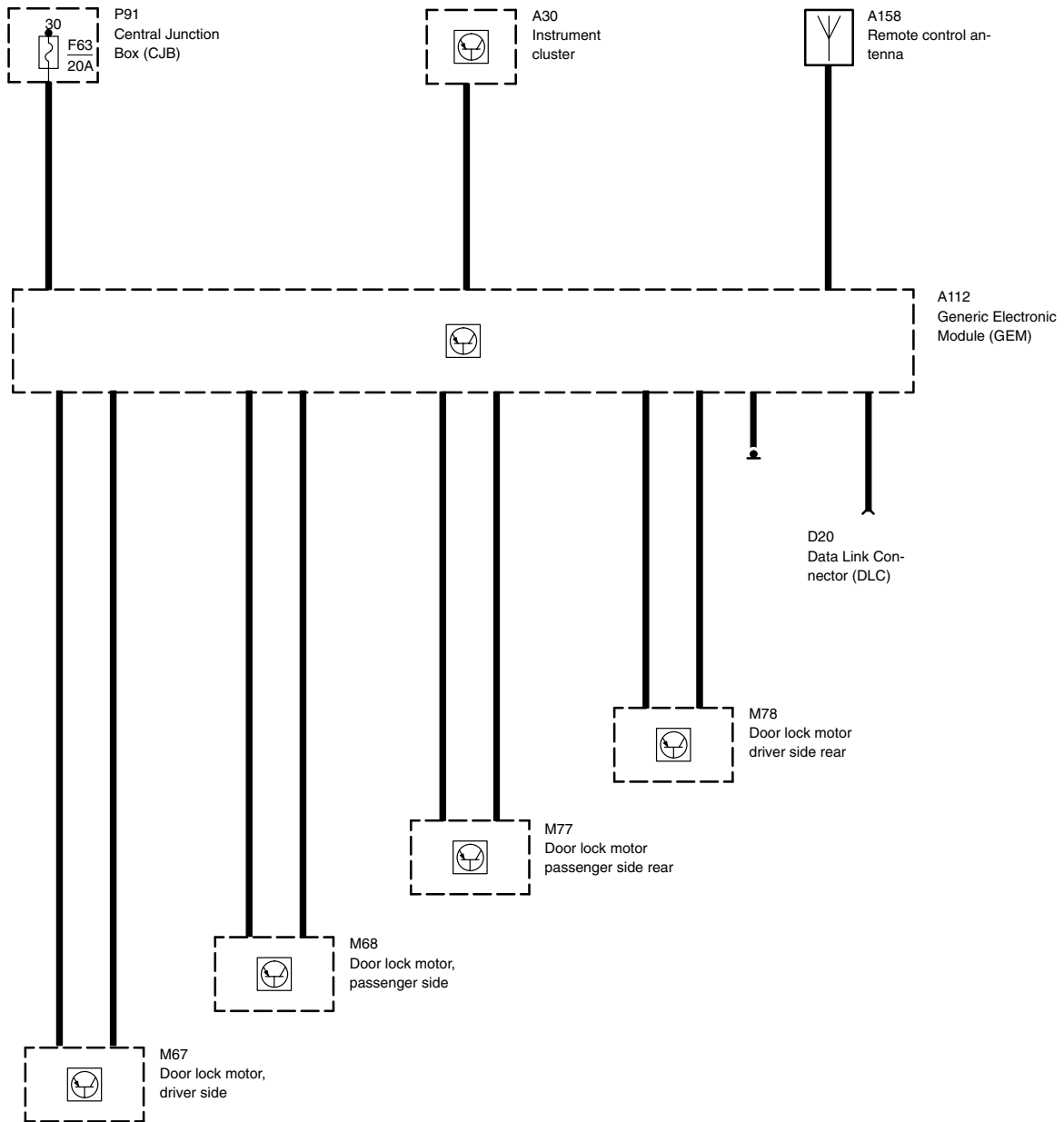
-1



Australia, Japan

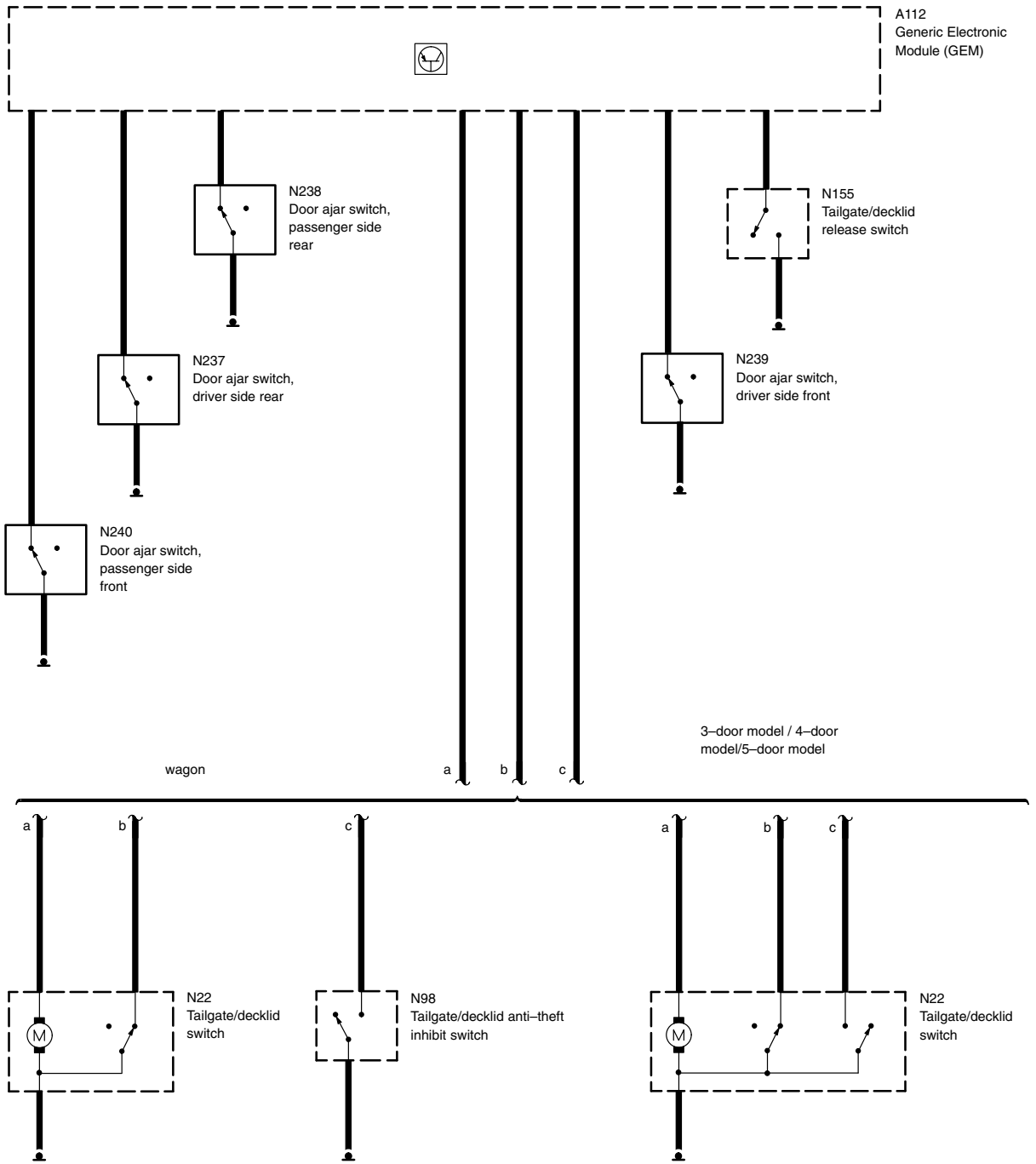


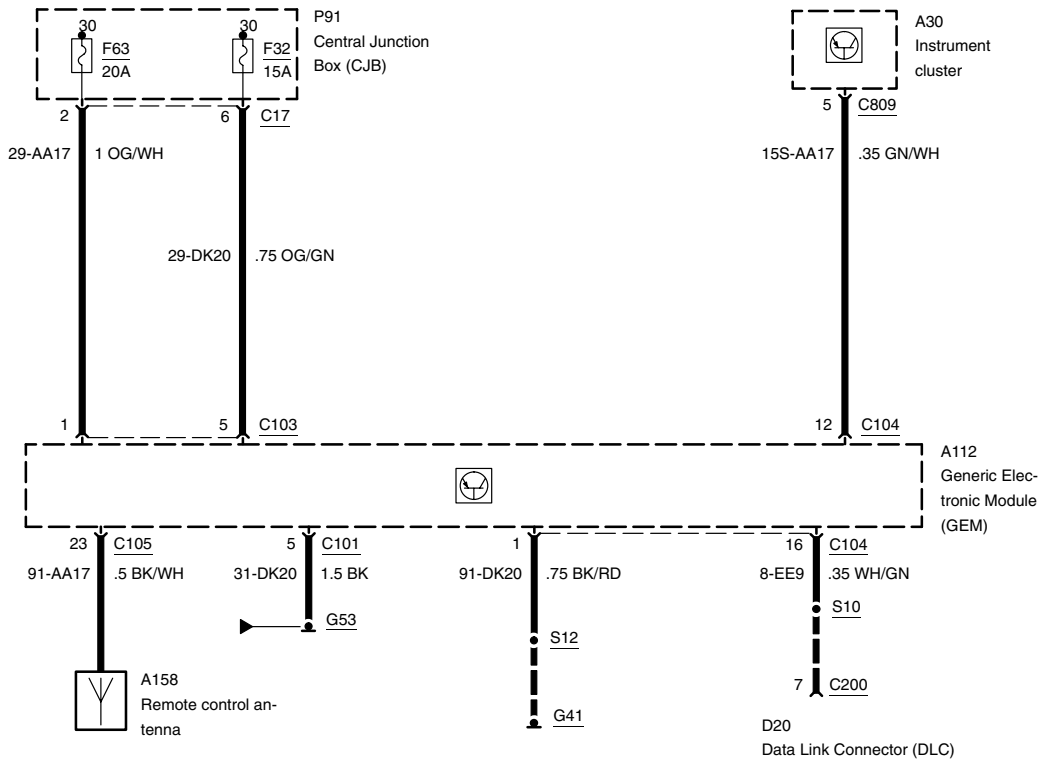
-A



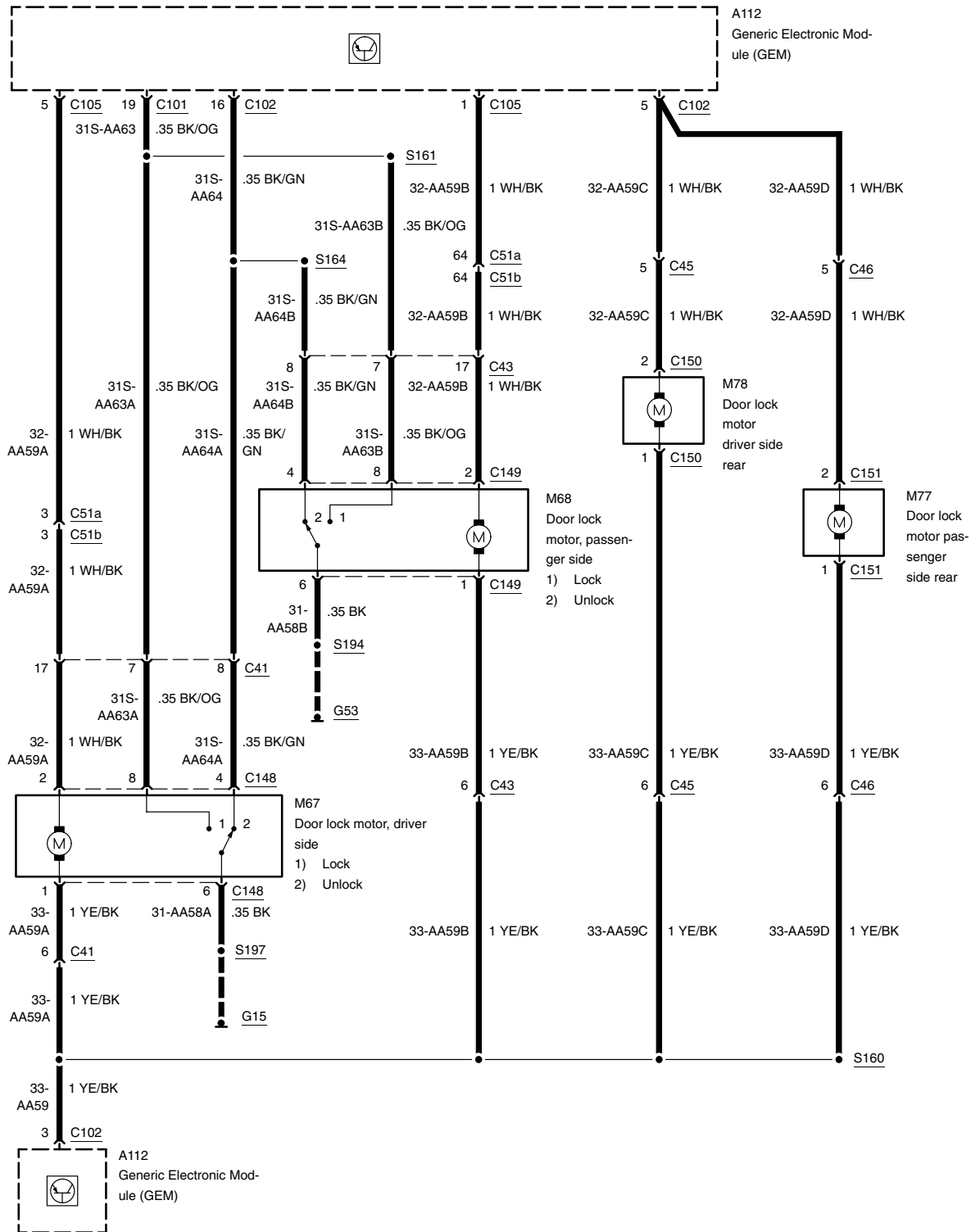


-B

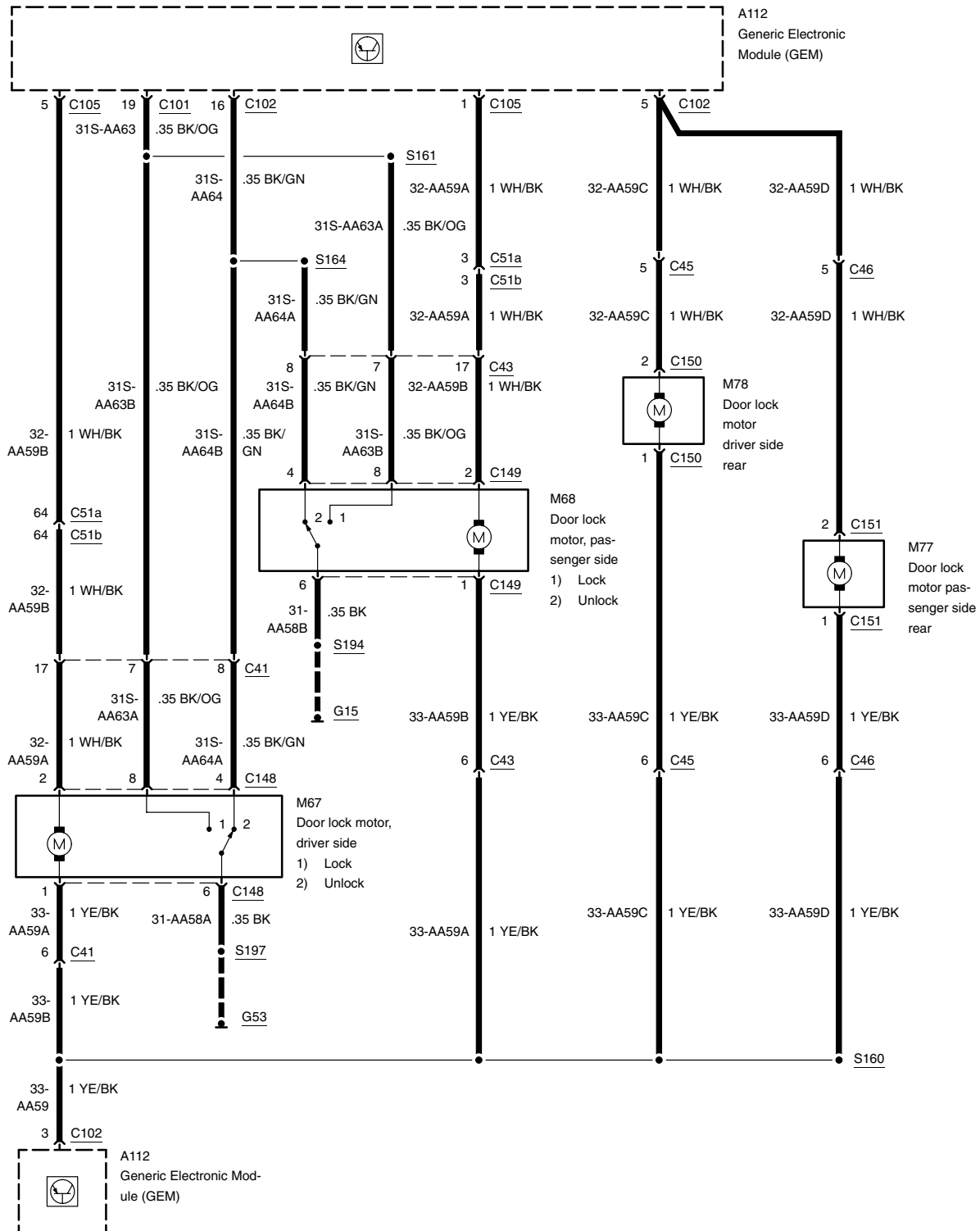




LHD, with central locking

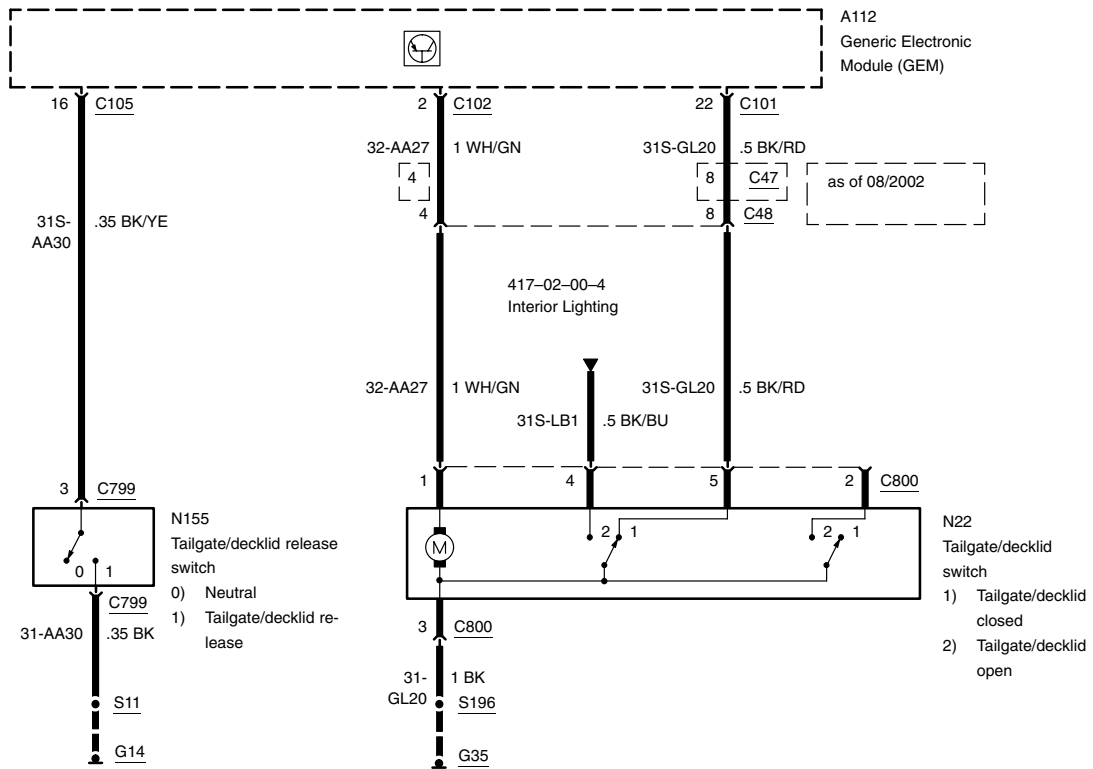


RHD, with central locking



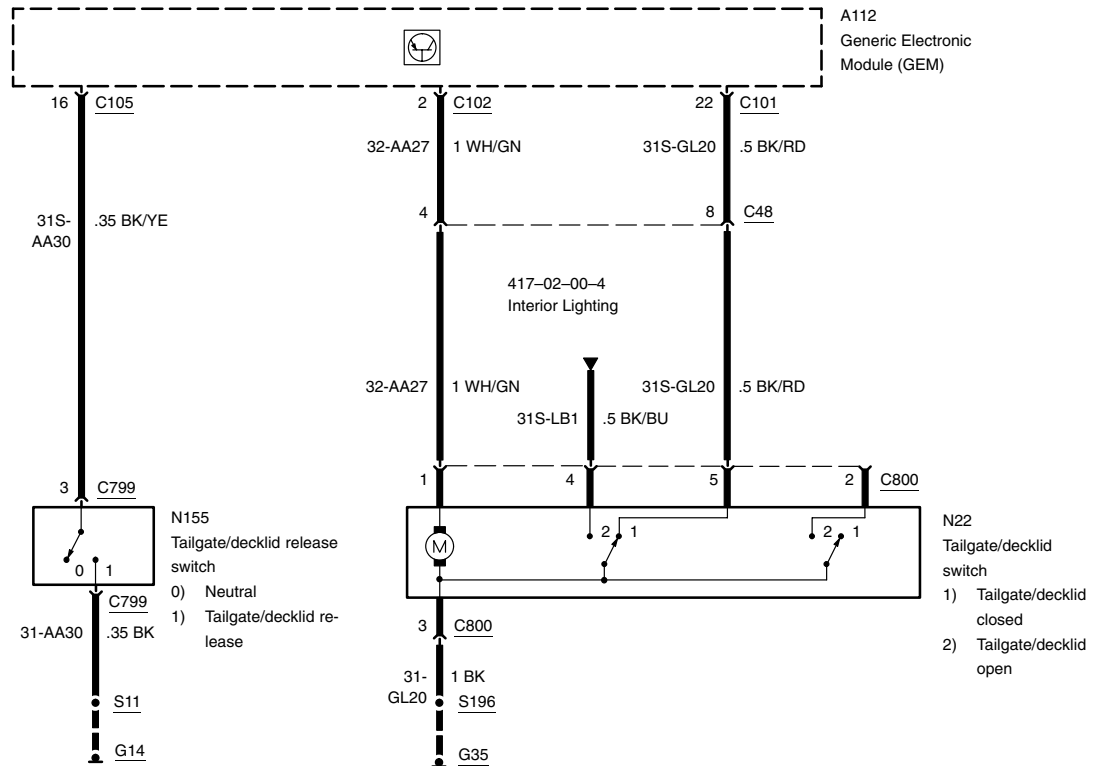
with central locking, 3-door model, 4-door model, 5-door model

-4

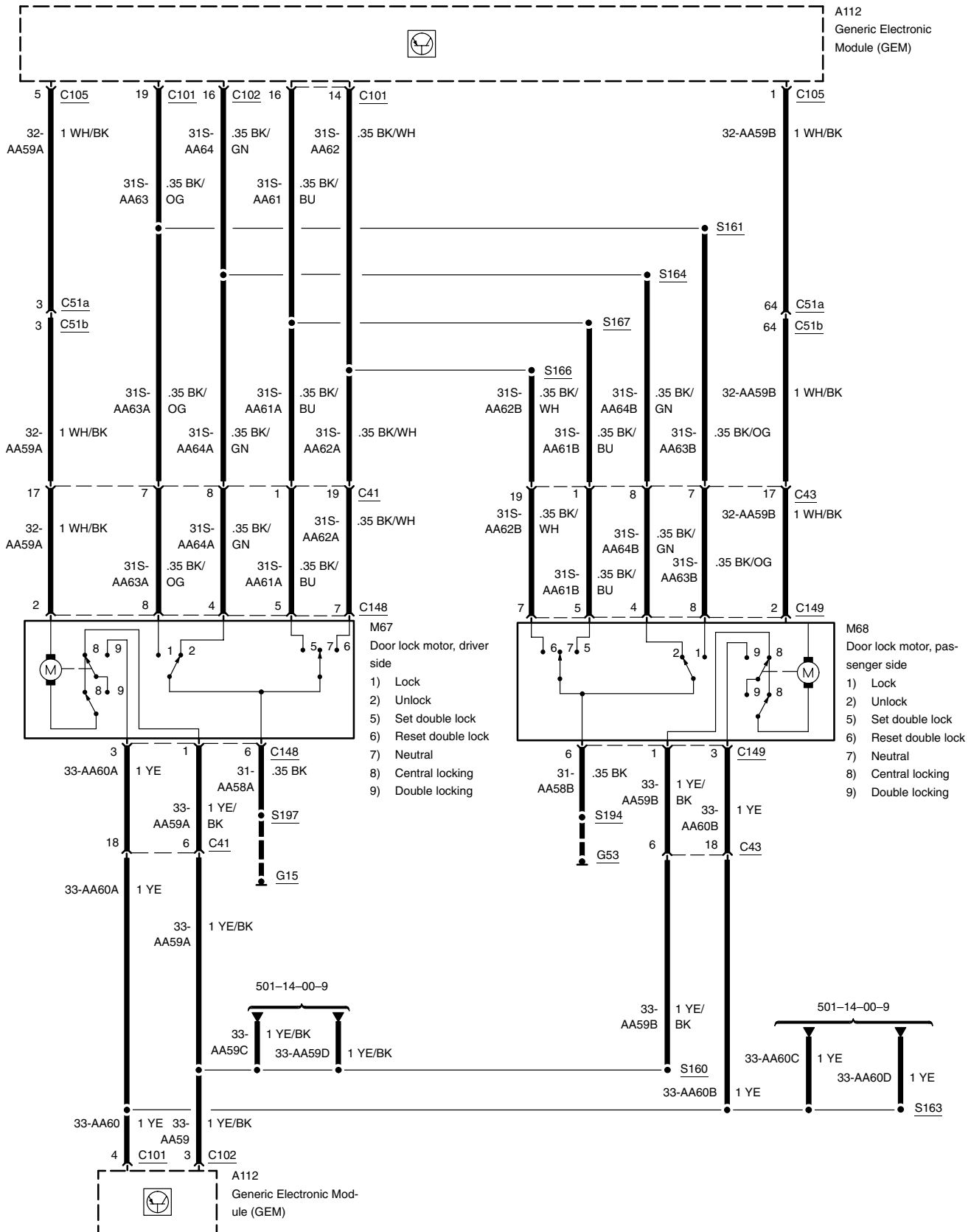


with central locking, wagon

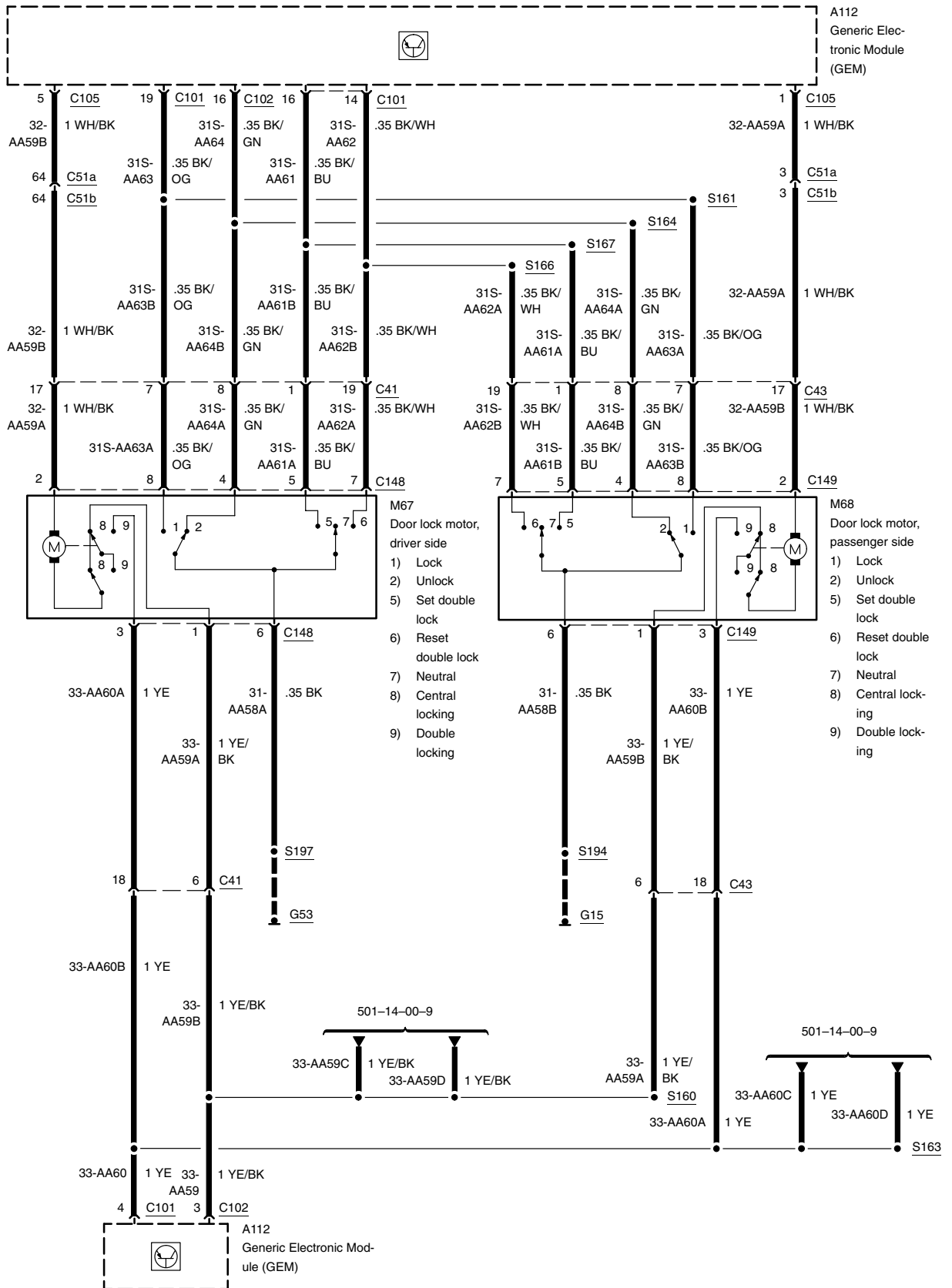
-5



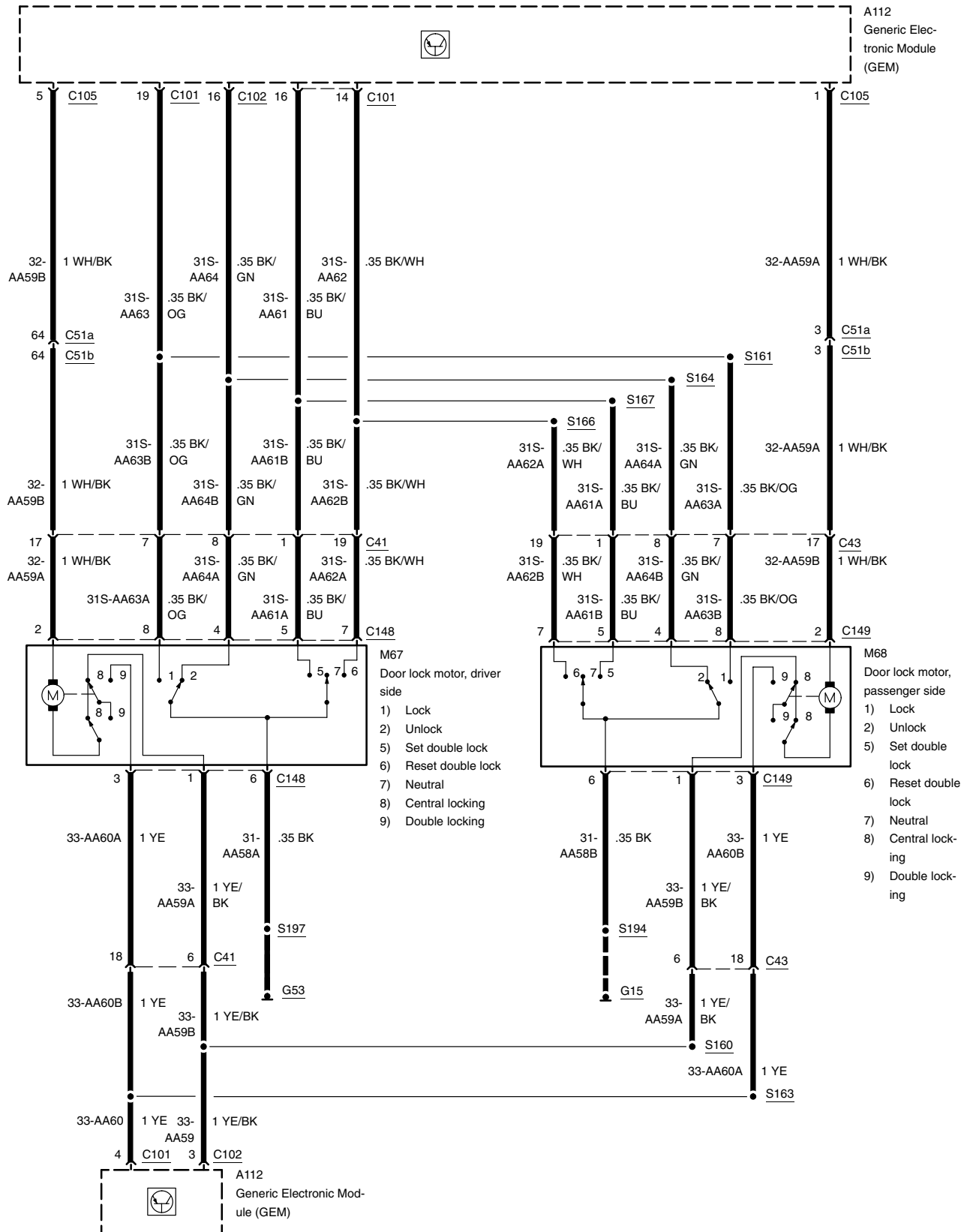
LHD, with double locking



RHD, with double locking, except Duratec-RS

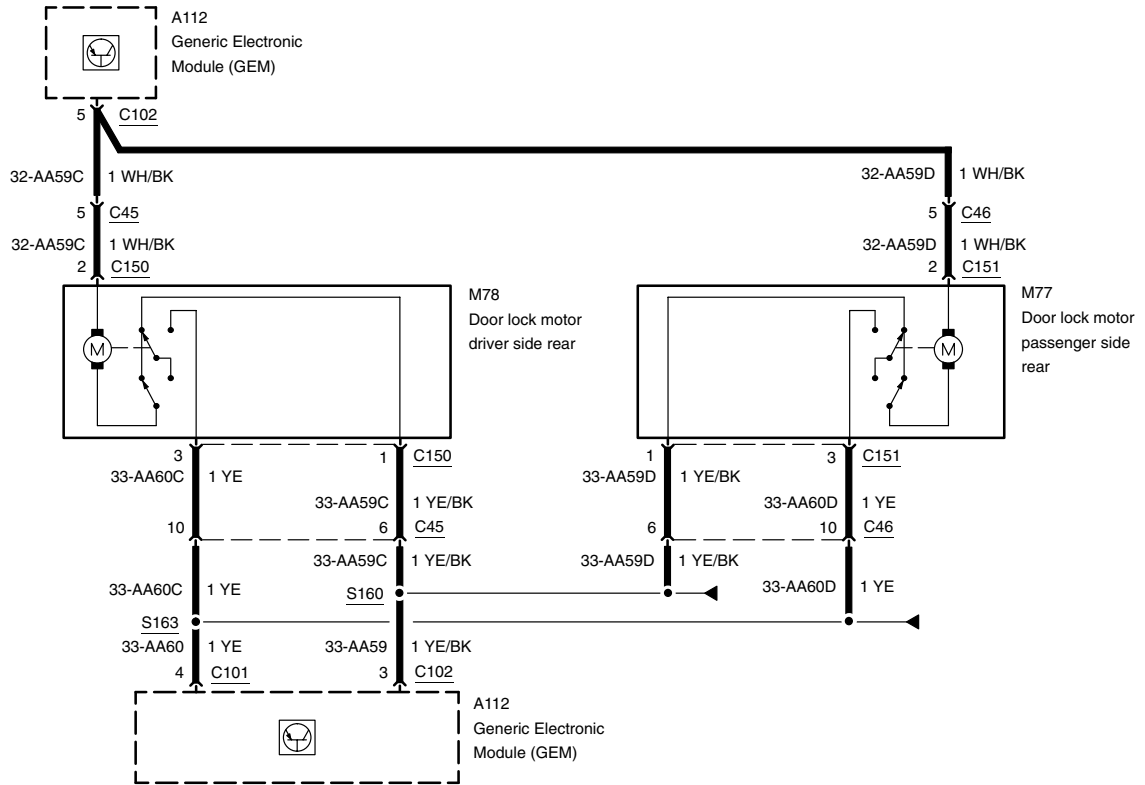


RHD, with double locking, Duratec-RS

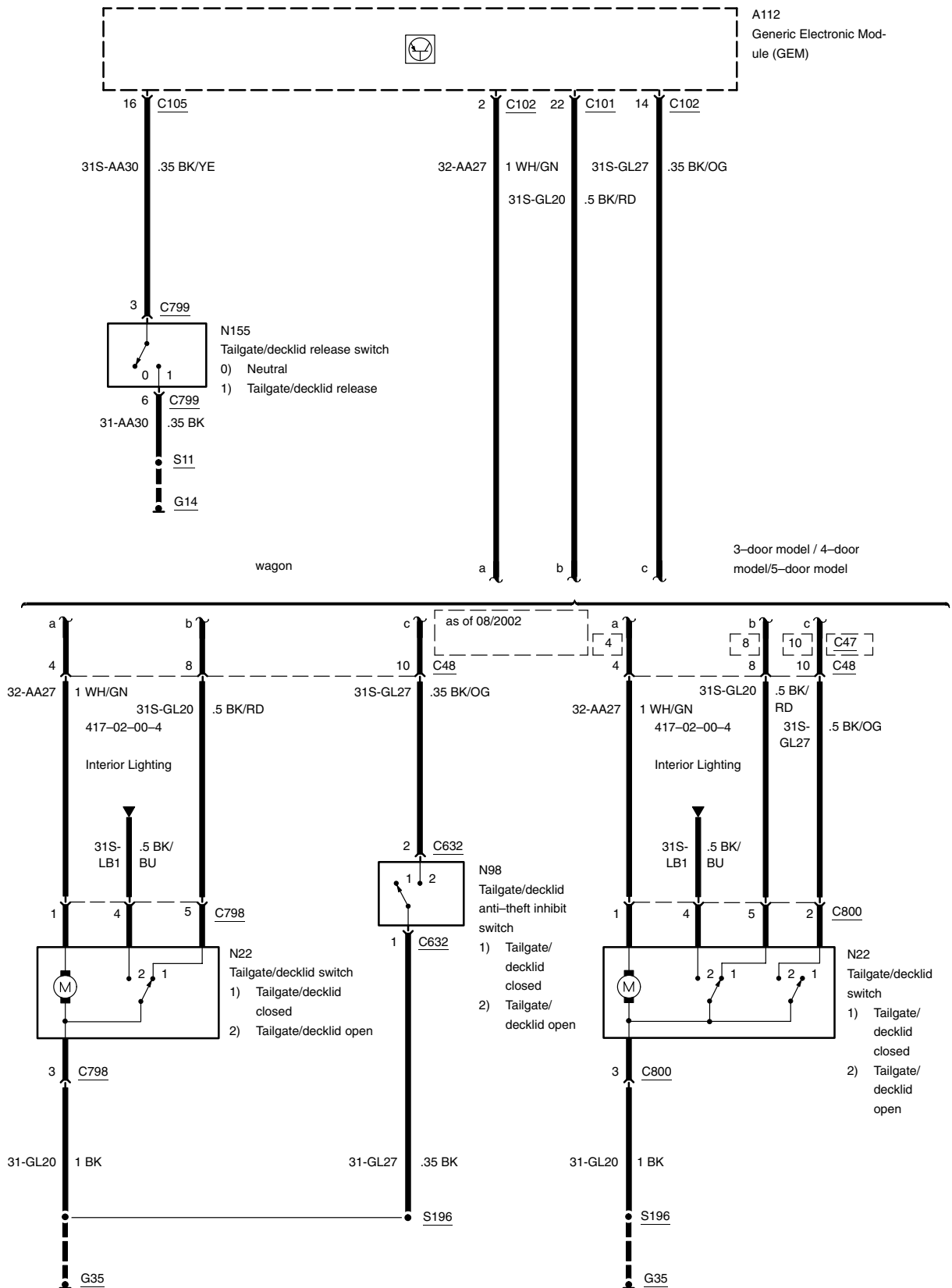




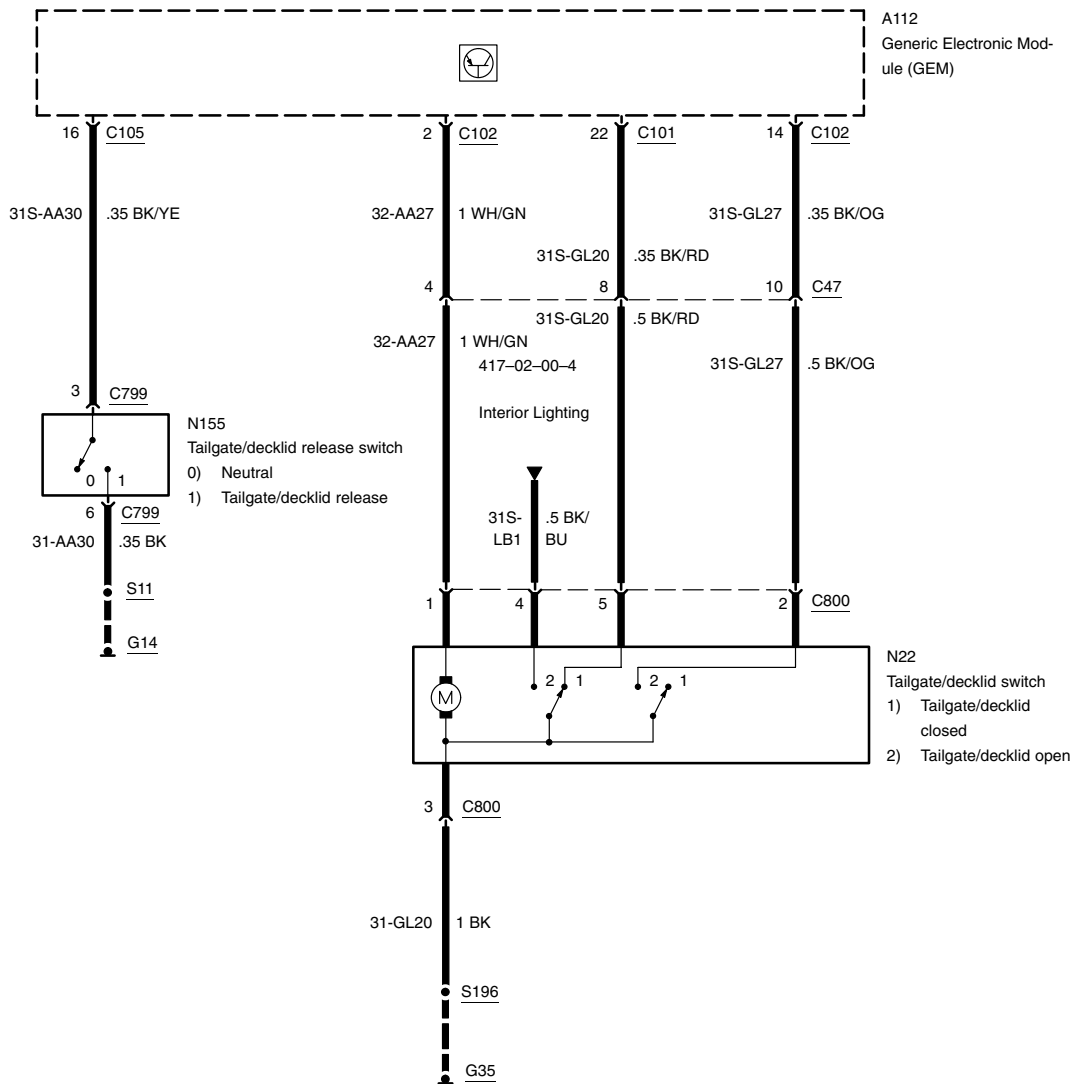
with double locking



With double locking, except Duratec-RS RHD

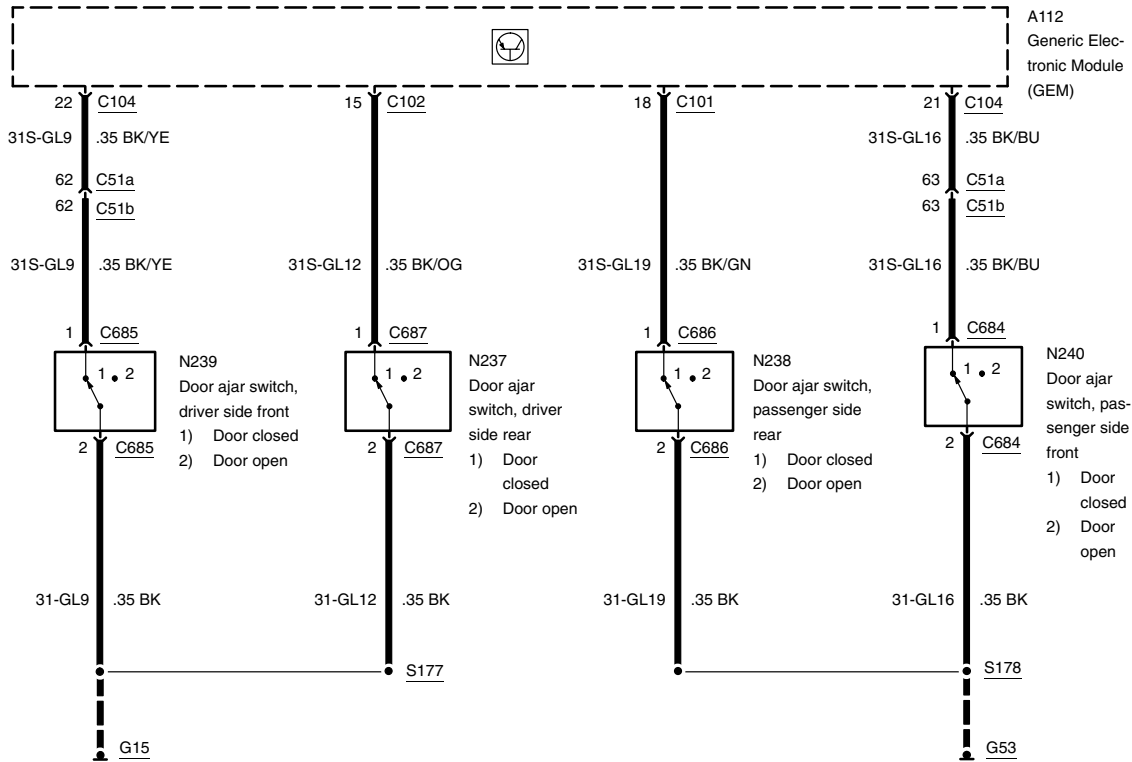


With double locking, Duratec-RS RHD



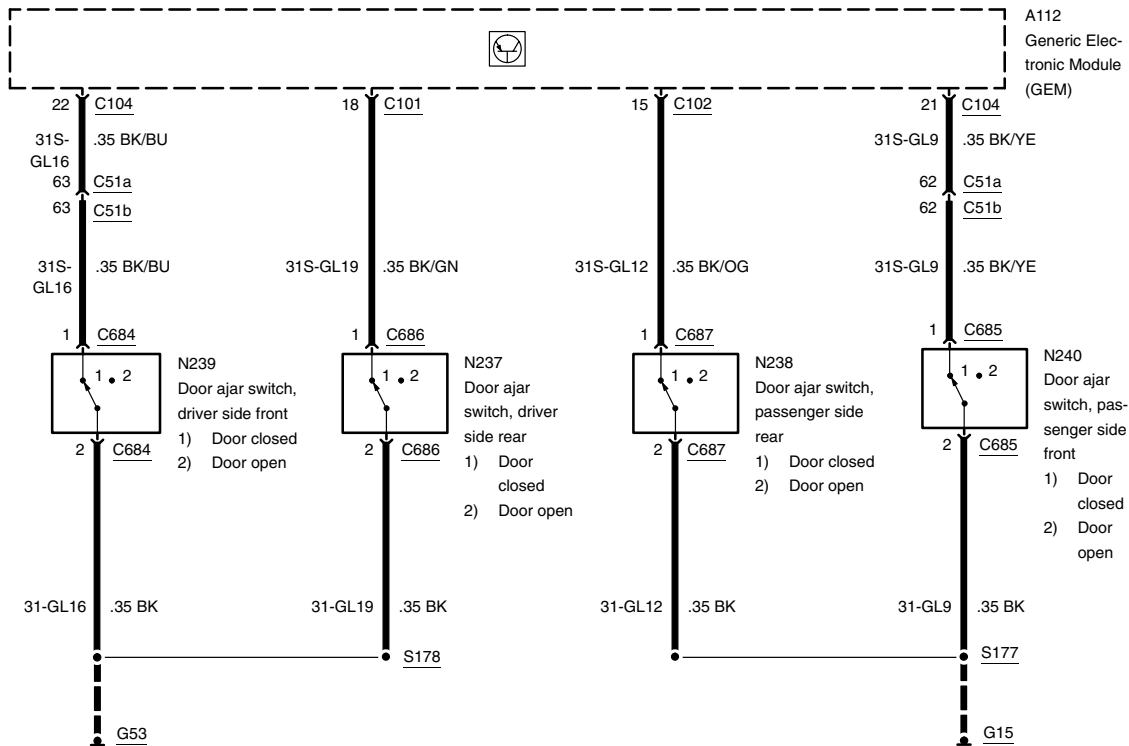
LHD

-12

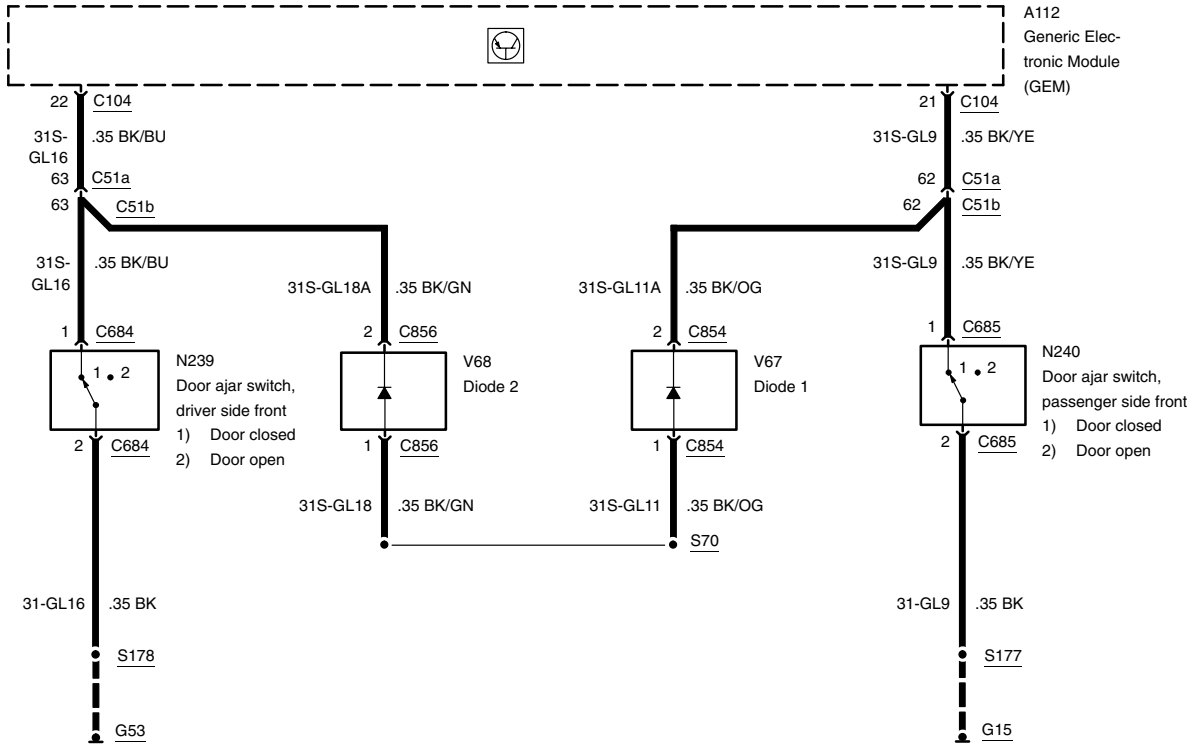


RHD, except Duratec-RS

-13

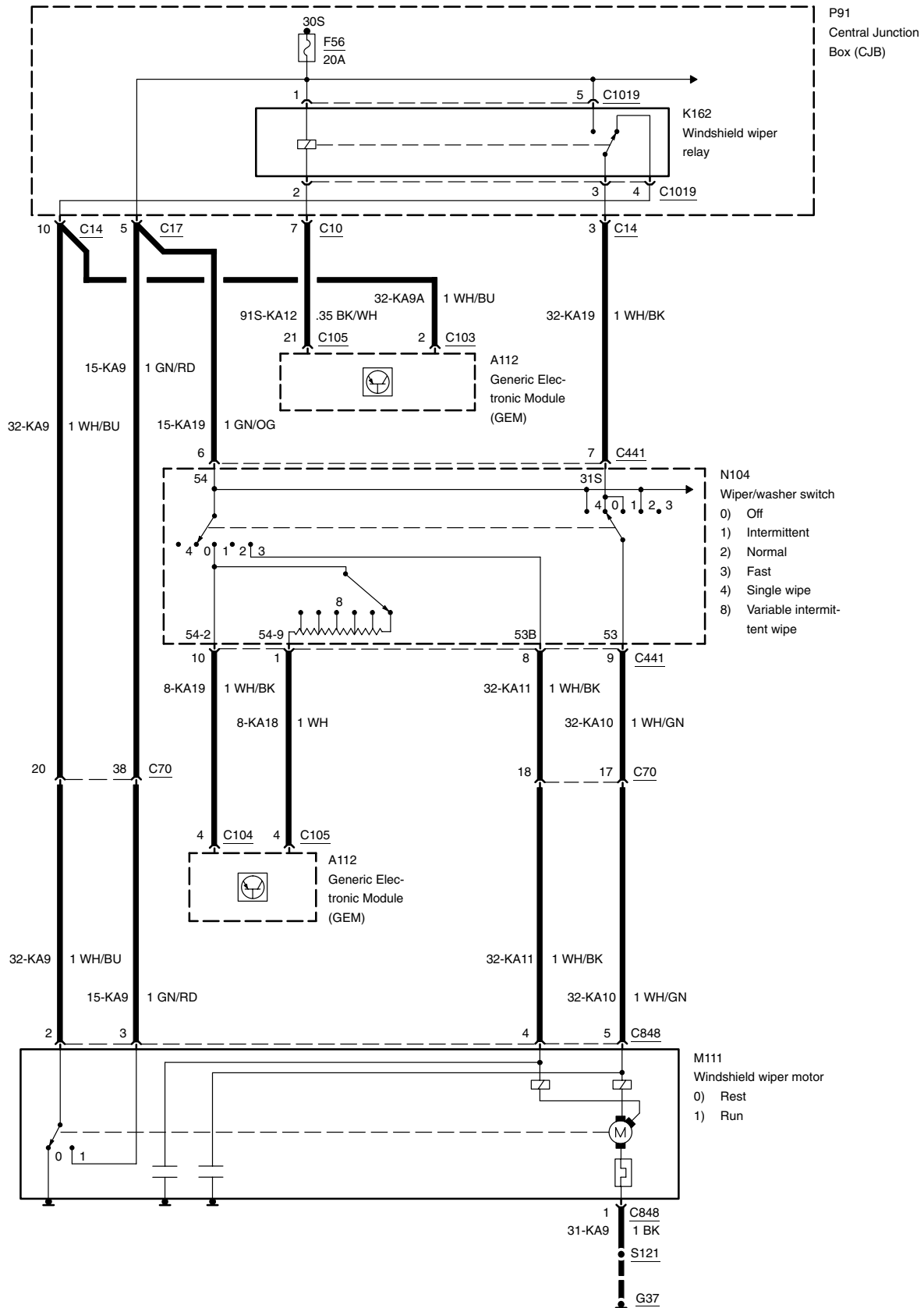


RHD, Duratec-RS

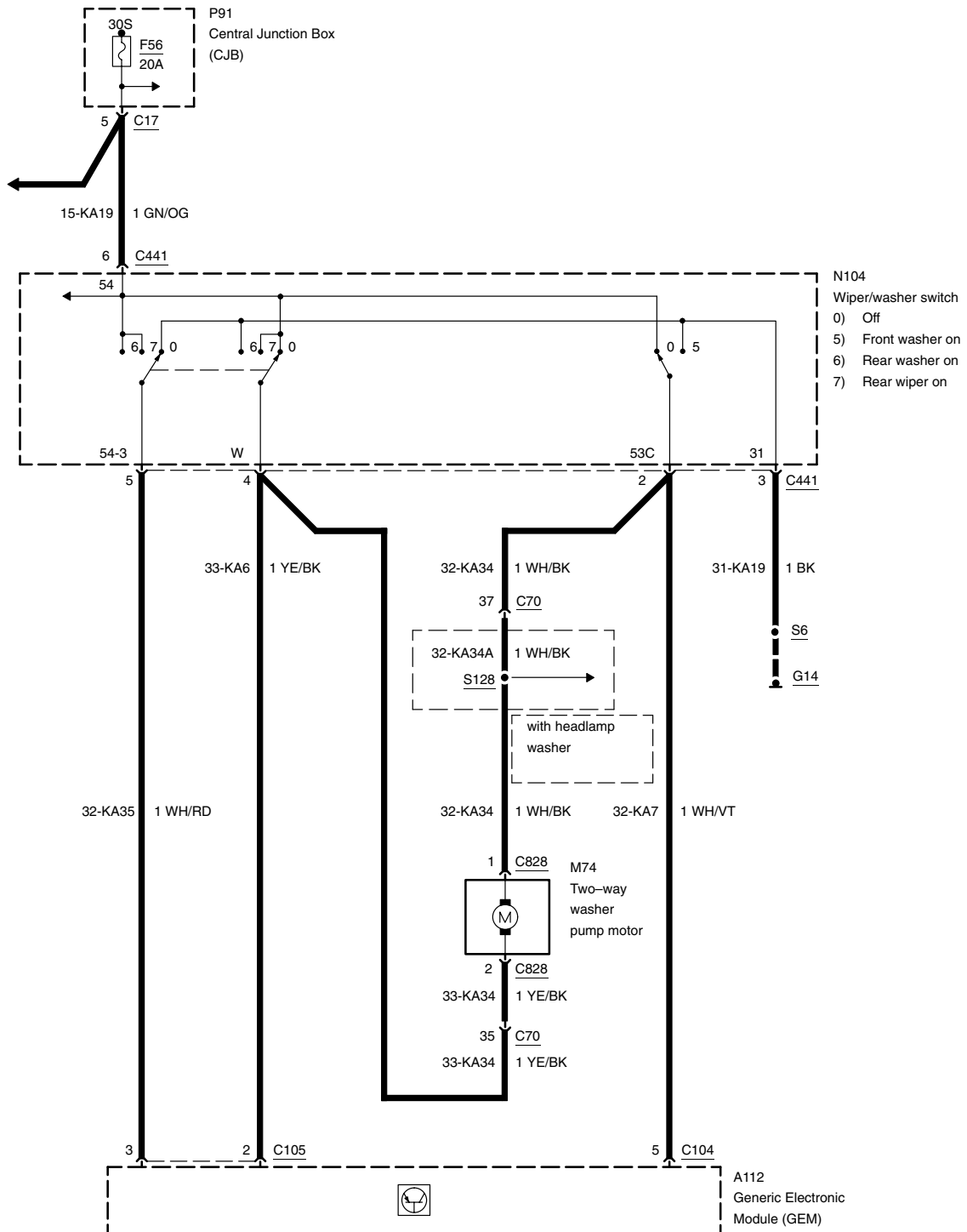


with variable intermittent wipe

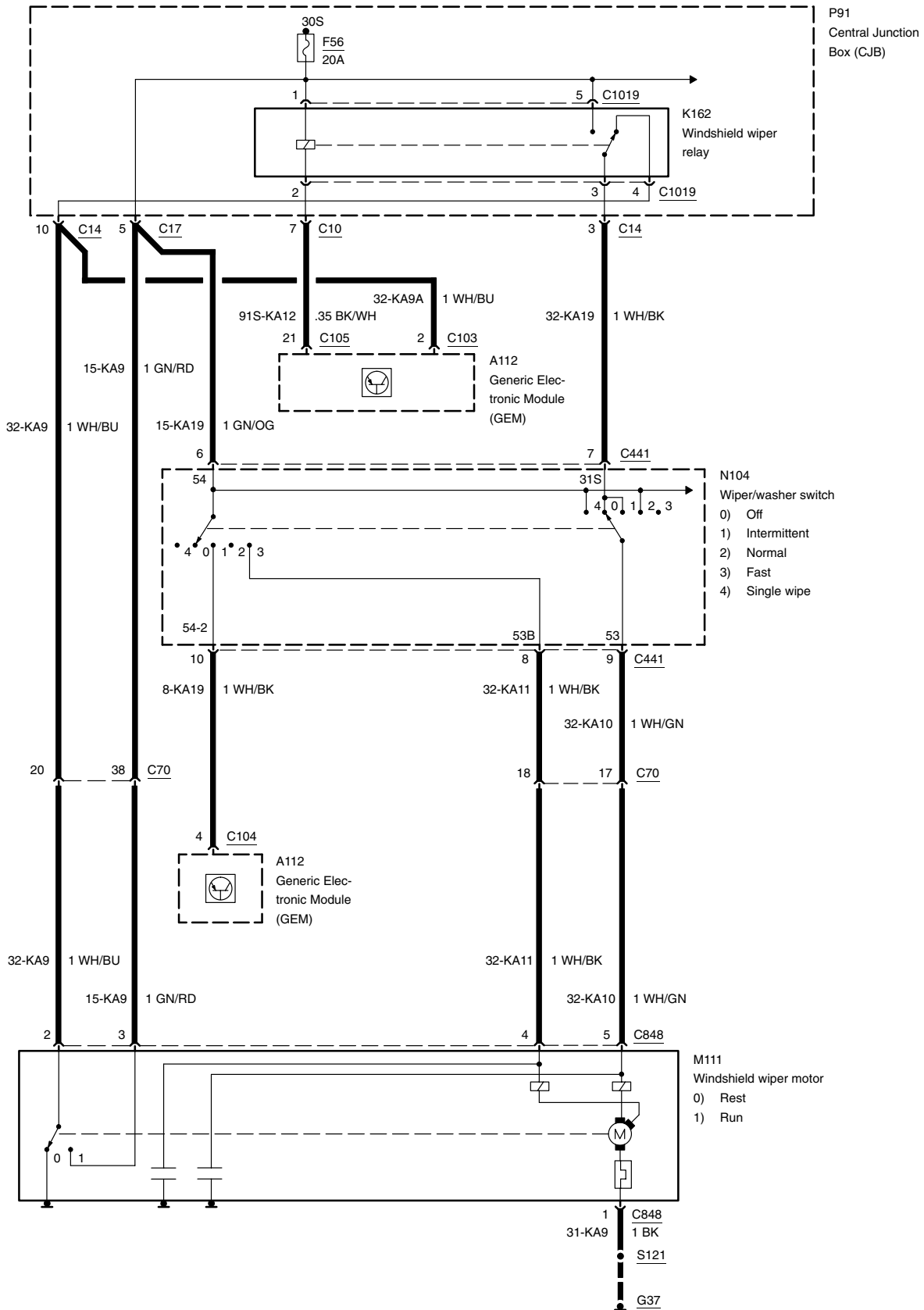
-1



with variable intermittent wipe

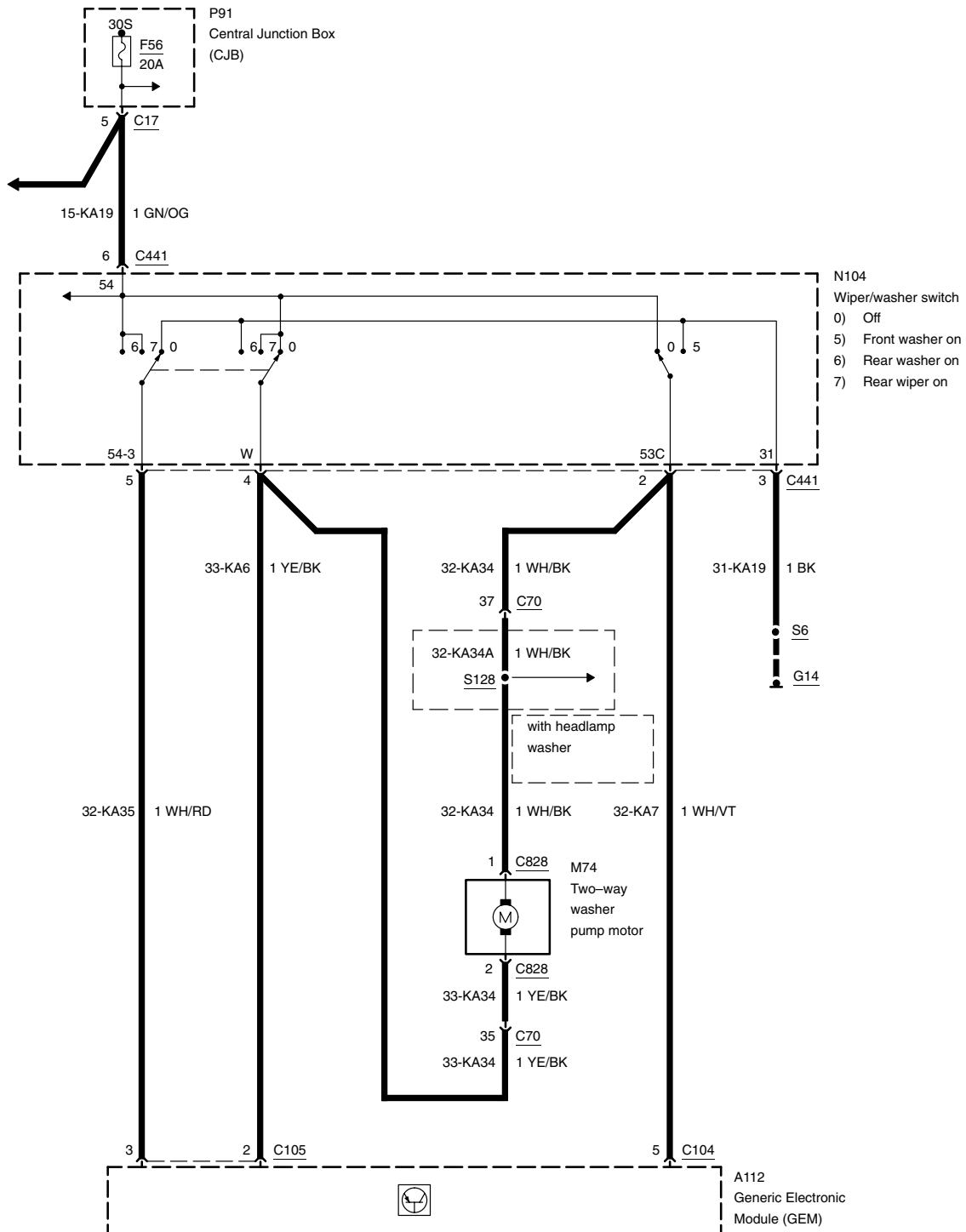


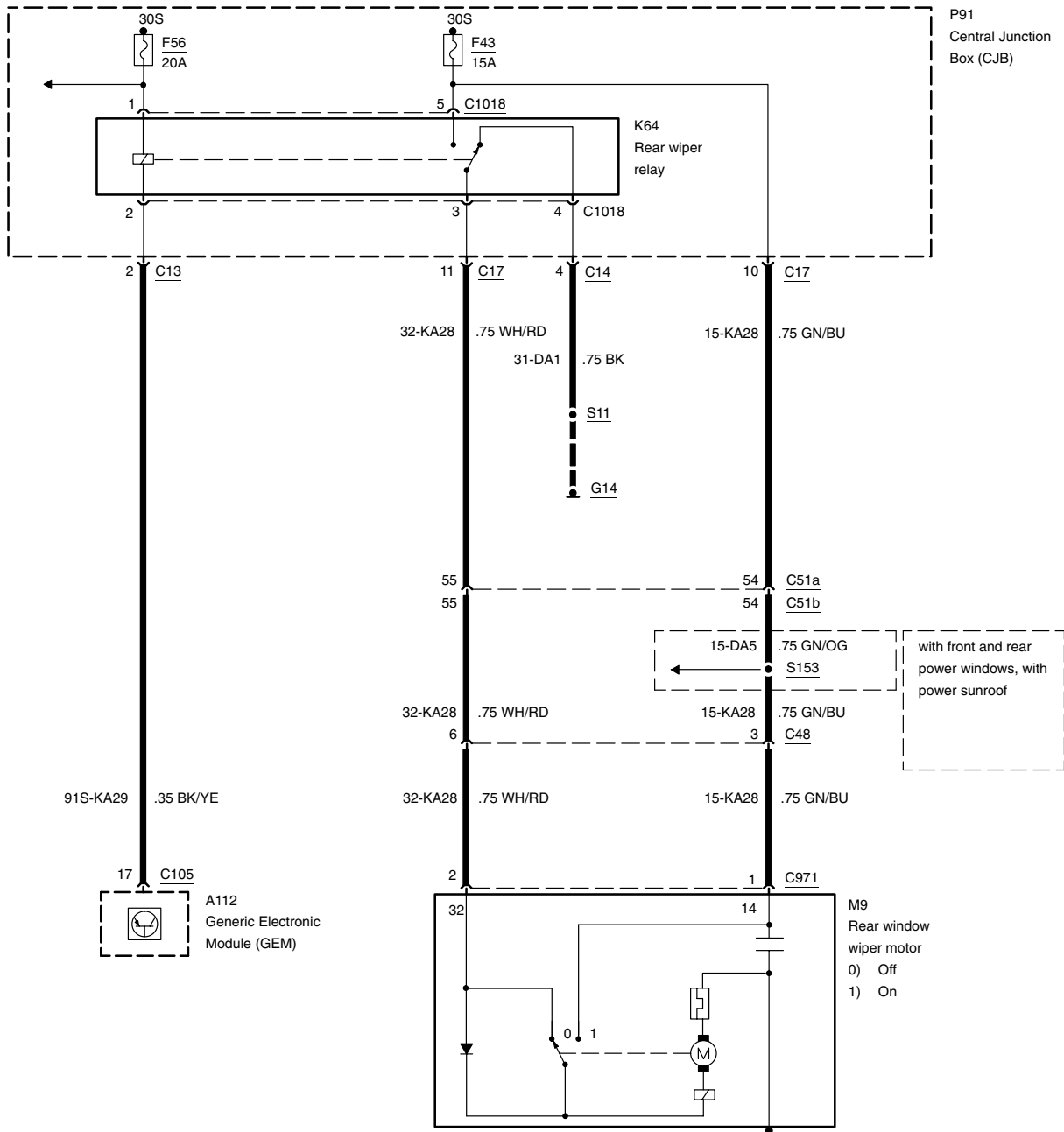
with fixed intermittent wipe



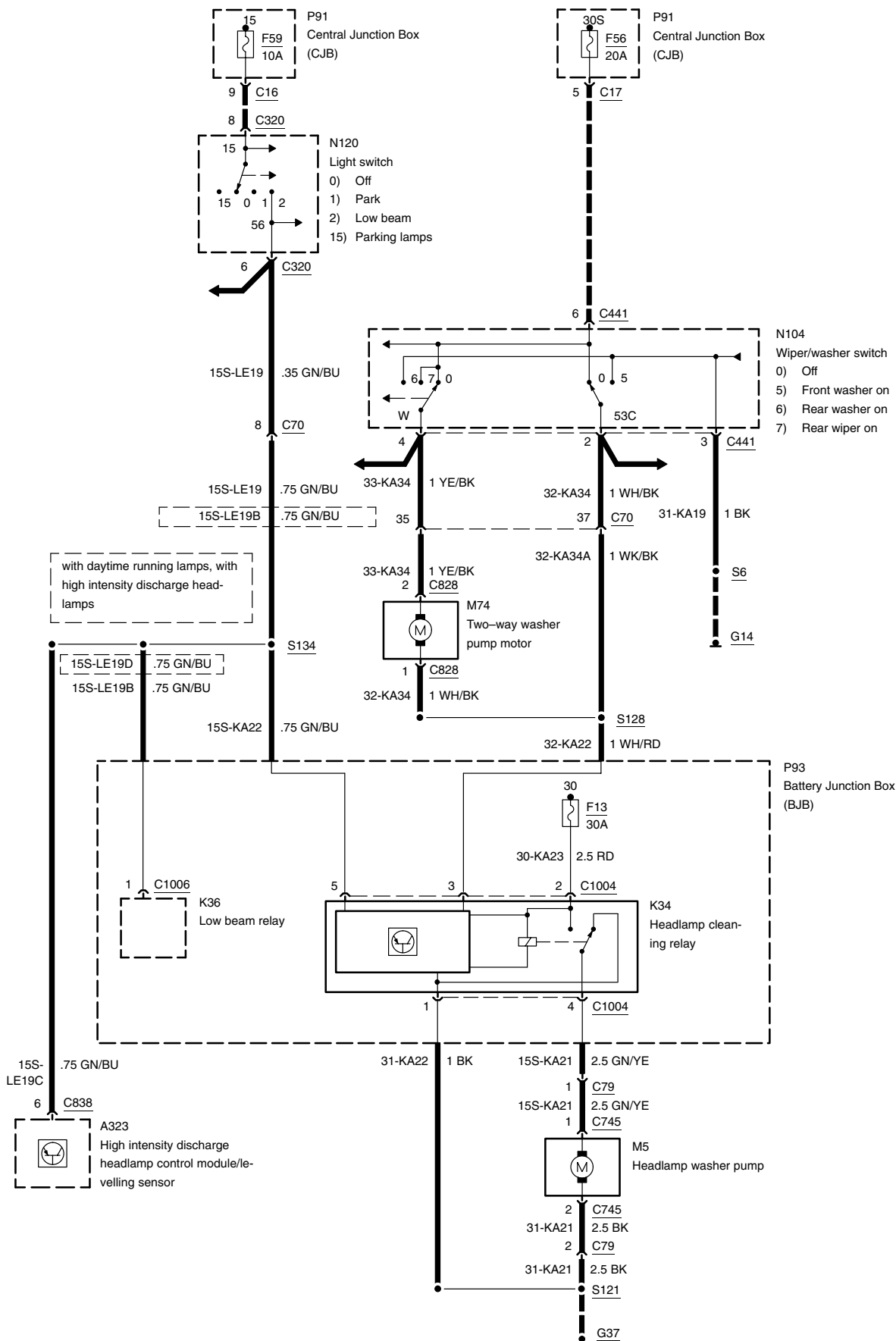


with fixed intermittent wipe



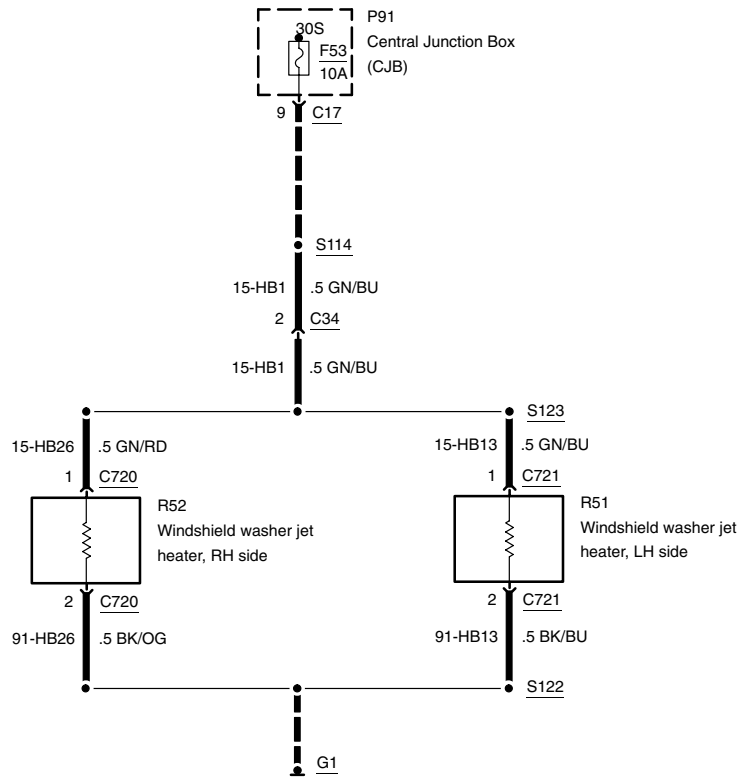


with headlamp washer

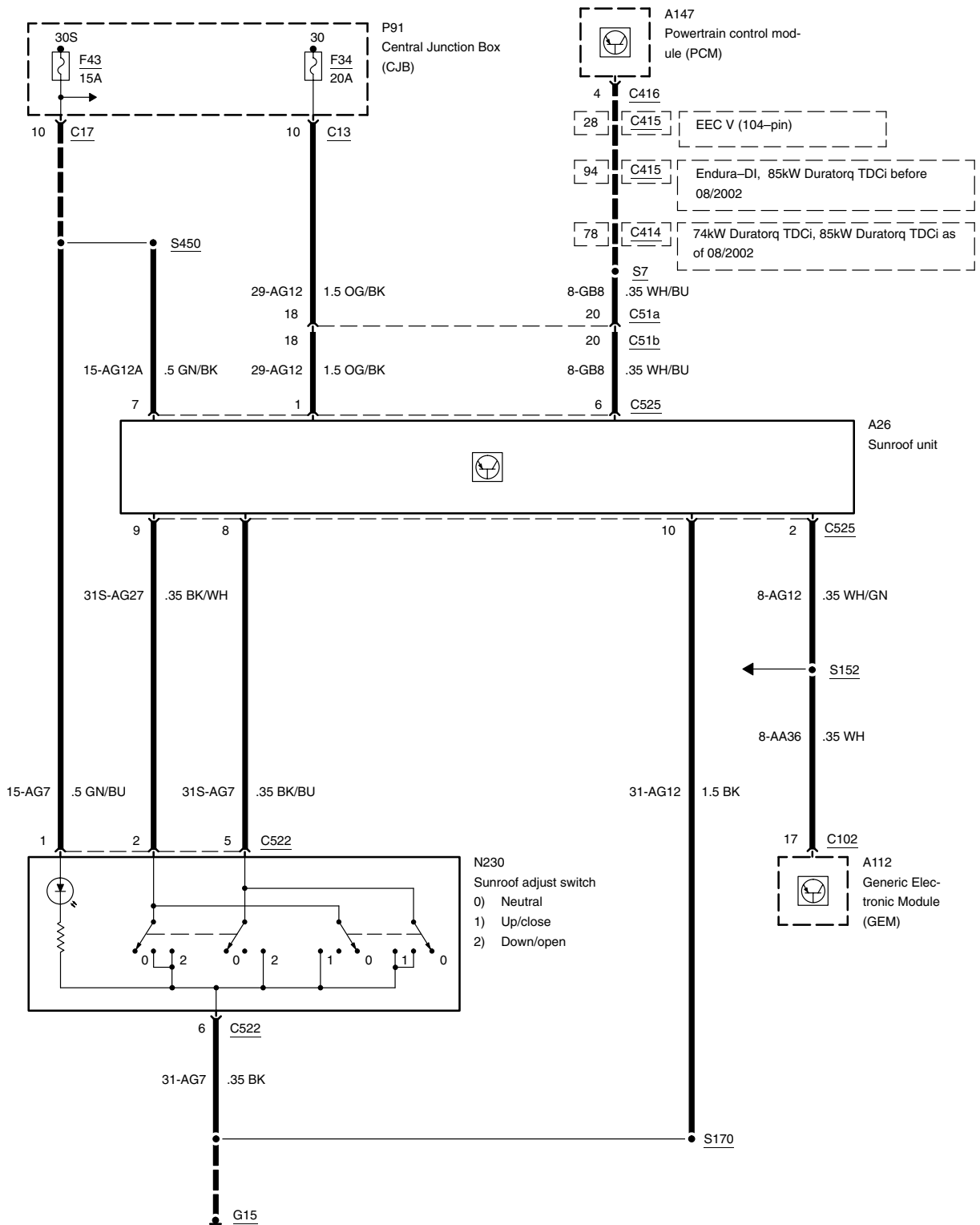


with windshield washer jet heater

-7



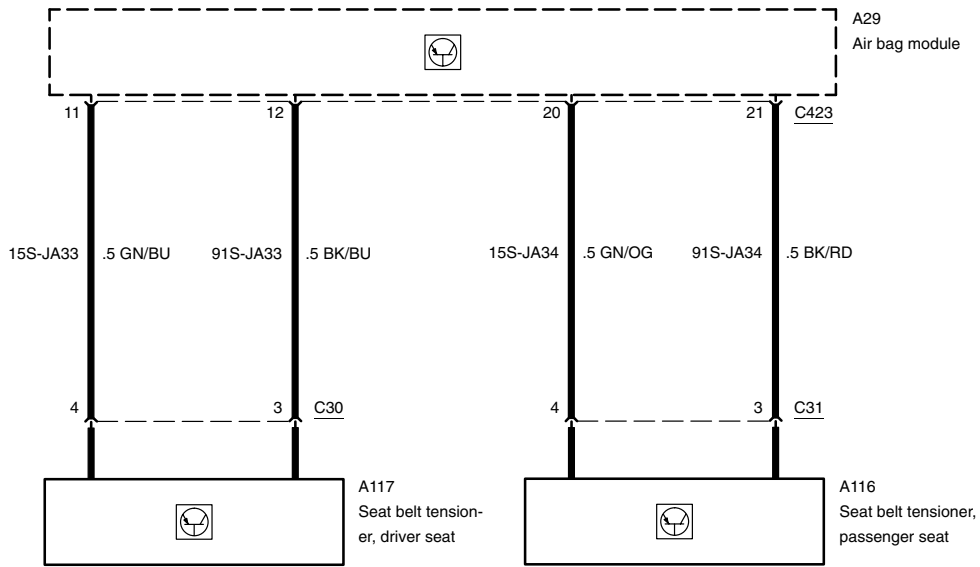






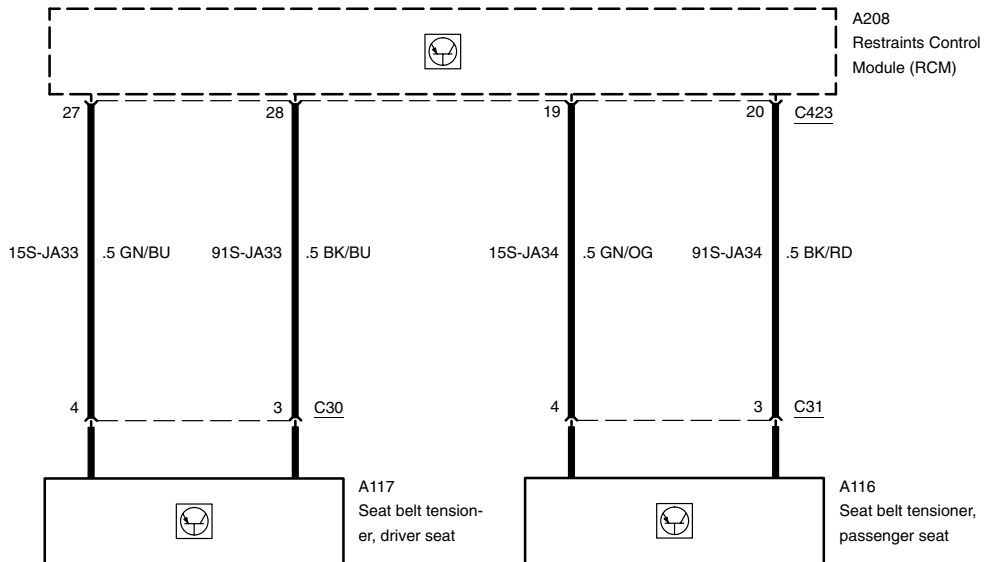
before 08/2002, Duratec–RS

-1



as of 08/2002, except Duratec–RS

-2

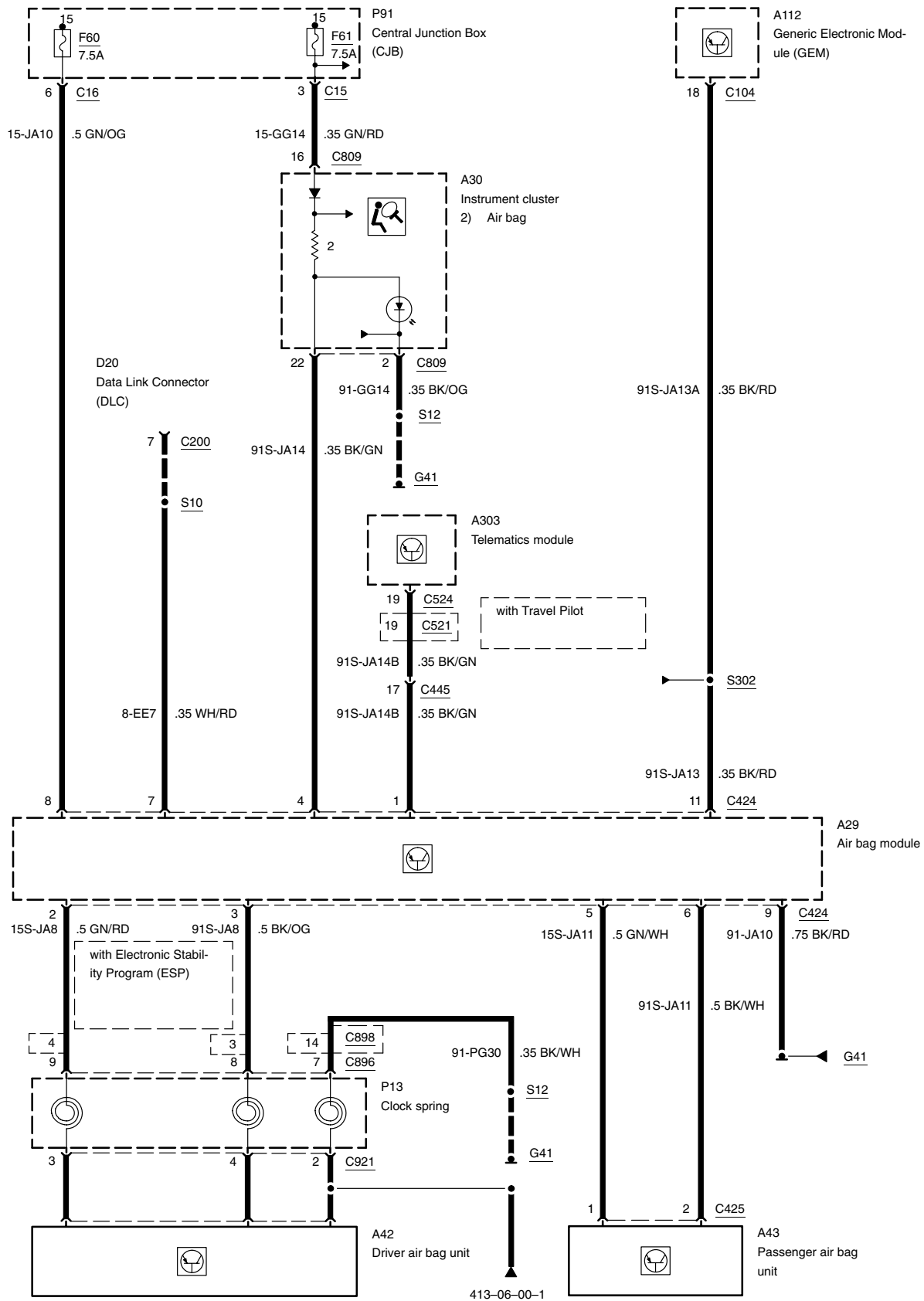






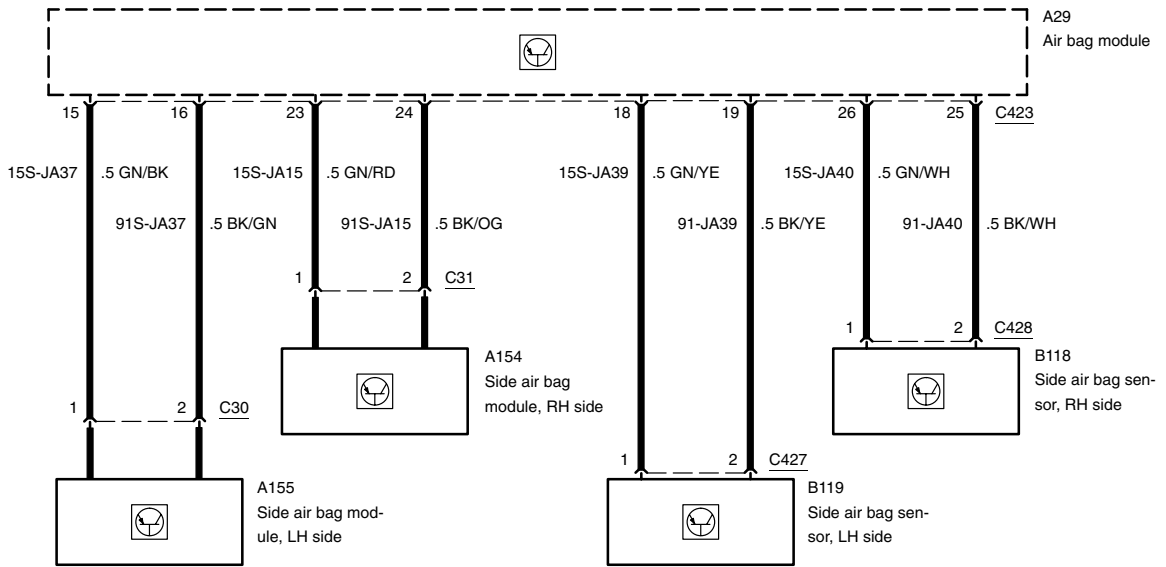
before 08/2002, Duratec-RS

-1



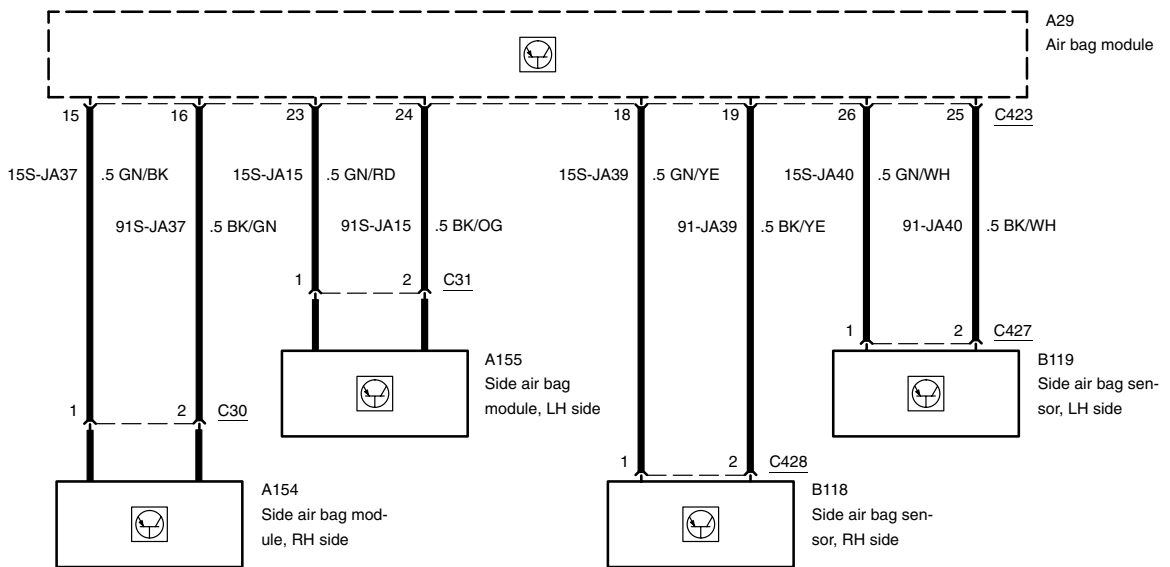
LHD, with side air bags, before 08/2002

-2

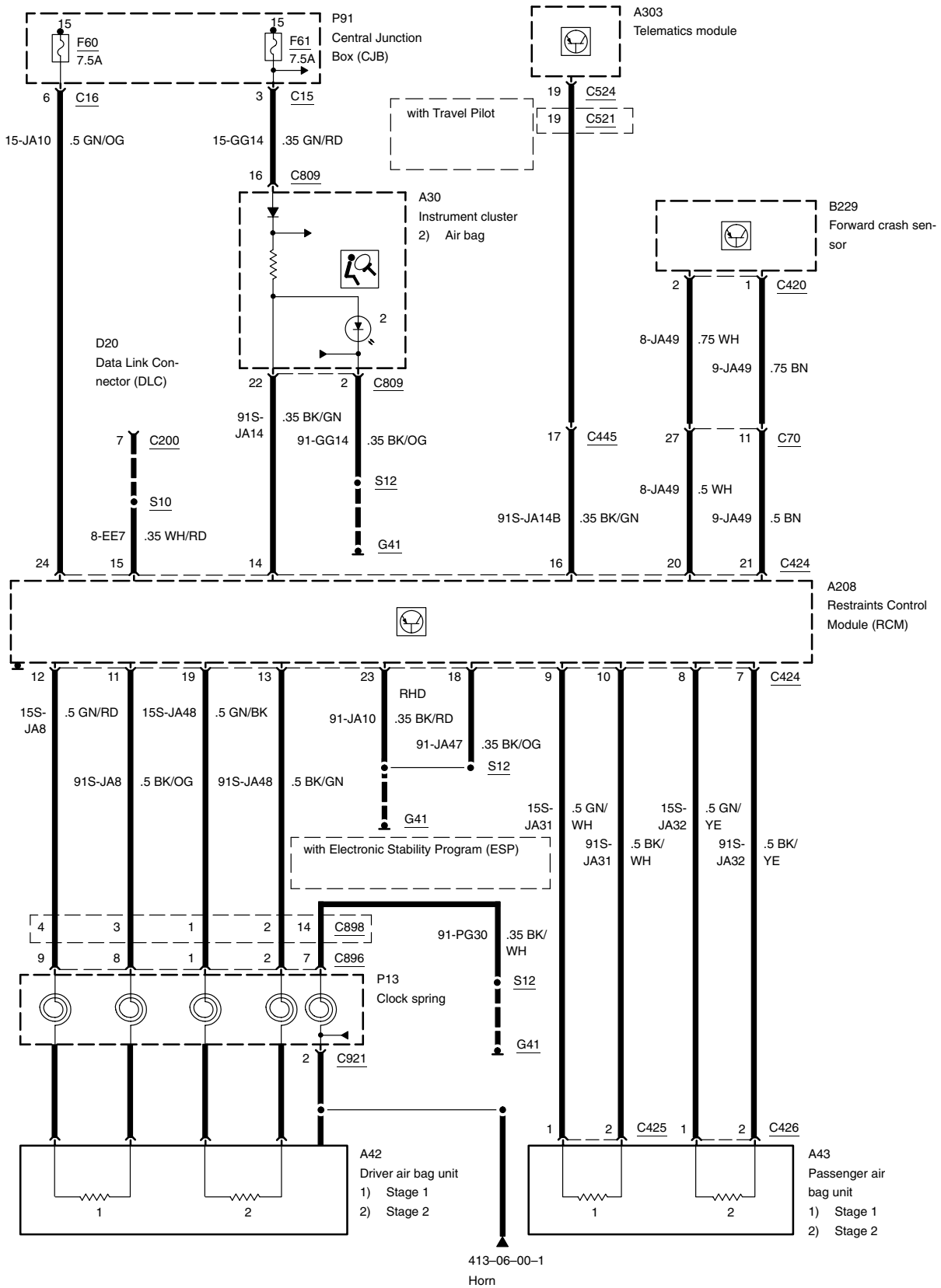


RHD, with side air bags, before 08/2002

-3

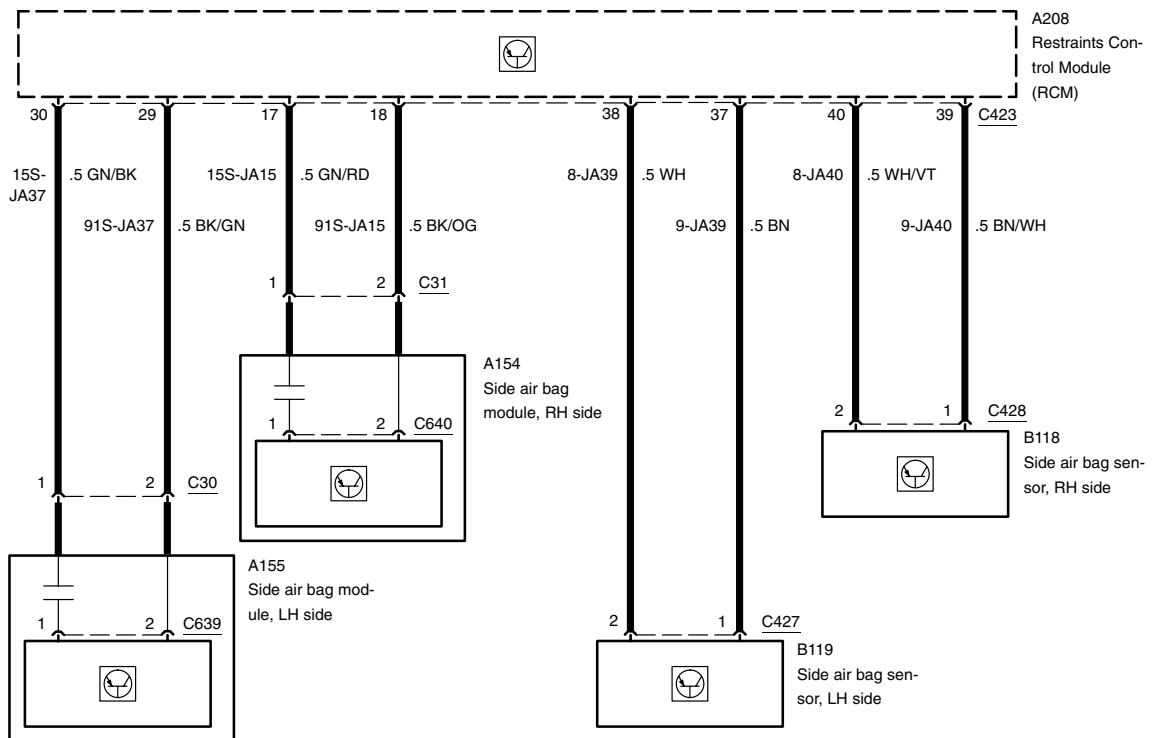


as of 08/2002, except Duratec-RS



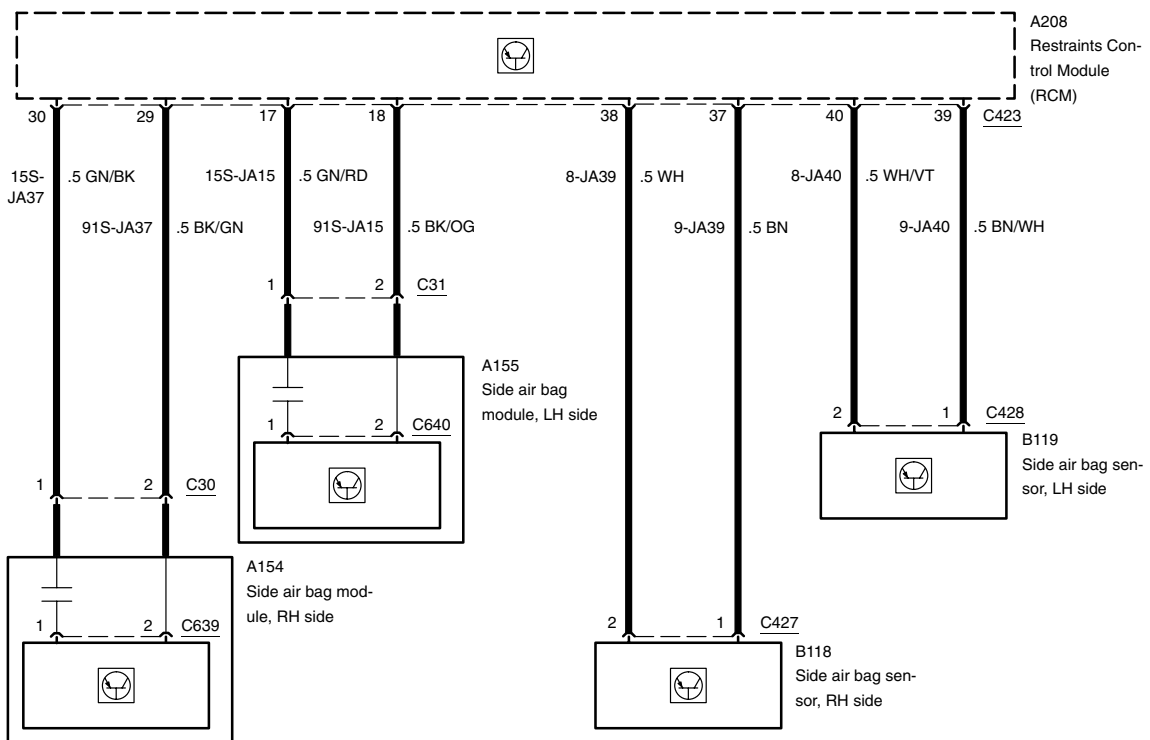
LHD, with side air bags, as of 08/2002, except Duratec–RS

-5



RHD, with side air bags, as of 08/2002, except Duratec–RS

-6

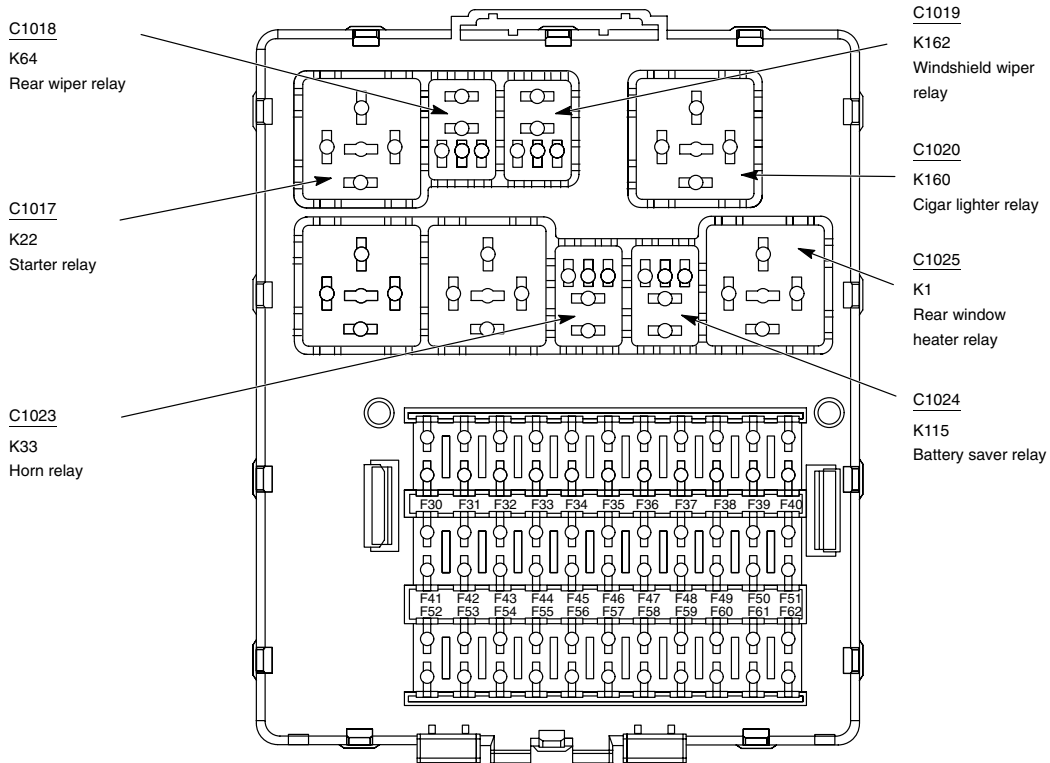






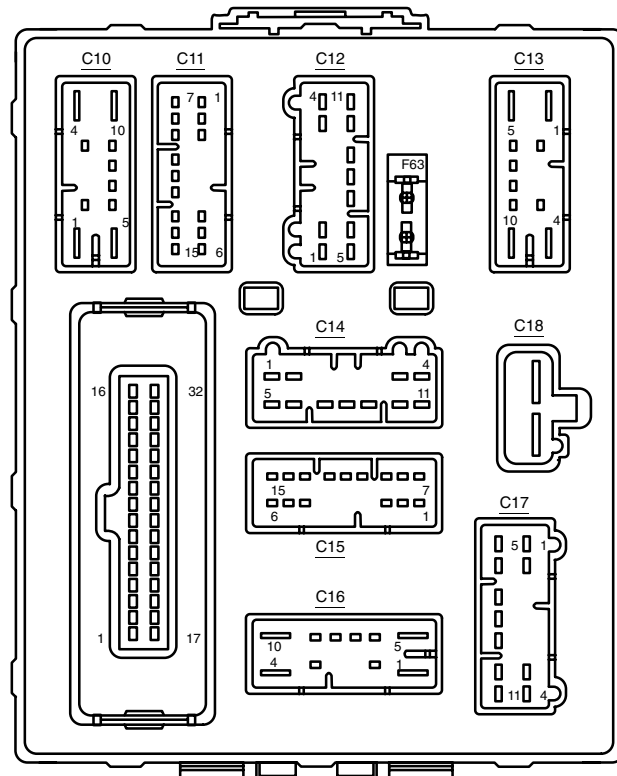
### Central Junction Box (CJB), top

-1



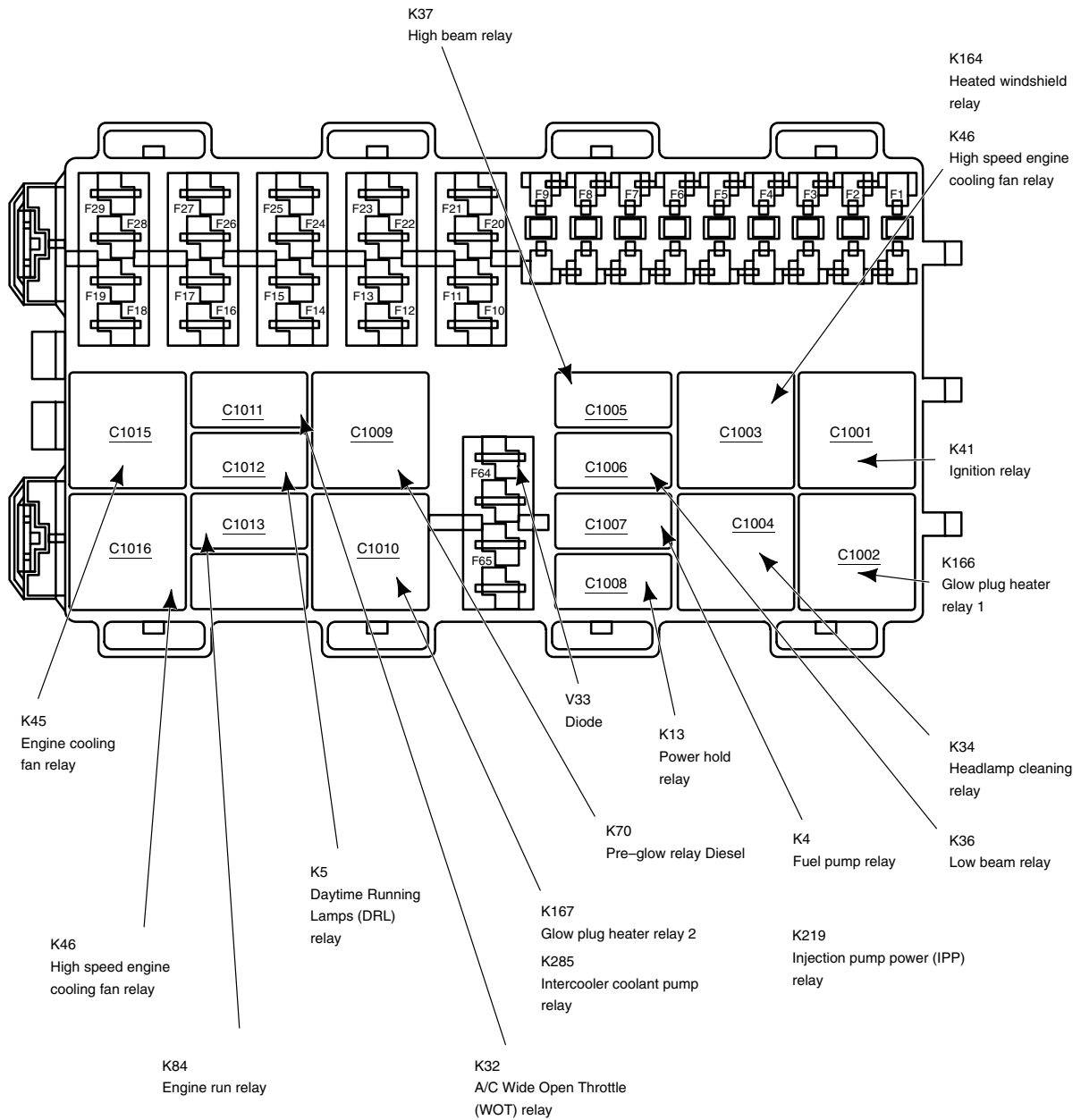
### Central Junction Box (CJB), rear

-2





### Battery Junction Box (BJB)



**Central Junction Box (CJB)**

		Fuse number												
		30	31	32	33	34	35	36	37	38	39	40		
		10A	15A	15A	20A	20A	7.5A	7.5A	25A	25A	15A	10A		
206-09A-00	Anti-Lock Control							●						
206-09B-00	Anti-Lock Control – Traction Control							●						
206-09C-00	Anti-Lock Control – Stability Assist							●						
303-03-00	Engine Cooling													
303-04A-00	Fuel Charging and Controls – ZETEC–SE													
303-04B-00	Fuel Charging and Controls – ZETEC–E													
303-04F-00	Fuel Charging and Controls – Duratorq TDCi													
303-04G-00	Fuel Charging and Controls – Duratec–ST													
303-06-00	Starting System													
303-07A-00	Engine Ignition – ZETEC–SE													
303-07B-00	Engine Ignition – ZETEC–E													
303-07C-00	Glow Plug System – Endura–DI													
303-07F-00	Glow Plug System – Duratorq TDCi													
303-07G-00	Engine Ignition – Duratec–ST													
303-14A-00	Electronic Engine Controls – ZETEC–SE													
303-14B-00	Electronic Engine Controls – ZETEC–E													
303-14C-00	Electronic Engine Controls – Endura–DI													
303-14F-00	Electronic Engine Controls – Duratorq TDCi													
303-14G-00	Electronic Engine Controls – Duratec–ST													
307-01-00	Automatic Transmission													
310-03-00	Vehicle Speed Control													
412-02A-00	Heating and Ventilation							●						
412-02B-00	Auxiliary Heating													
412-03A-00	Air Conditioning							●						
413-00-00	Instrument Cluster and Panel Illumination	●												
413-01-00	Instrument Cluster							●						
413-06-00	Horn				●									

Central Junction Box (CJB)

Fuse number																										
41	42	43	44	45	46	47	48	49	50	51	52	53	54	55	56	57	58	59	60	61	62	63	98	99		
7.5A	15A	15A	20A	7.5A	7.5A	15A	10A	25A	7.5A	7.5A	15A	10A		25A	20A	7.5A	7.5A	10A	7.5A	7.5A	7.5A	20A	30A	3A		
●	●				●															●						206-09A-00
●	●				●															●						206-09B-00
●	●				●															●						206-09C-00
																							●			303-03-00
																										303-04A-00
																										303-04B-00
																										303-04F-00
																										303-04G-00
																										303-06-00
																										303-07A-00
																										303-07B-00
																										303-07C-00
																										303-07F-00
																										303-07G-00
	●																									303-14A-00
	●																									303-14B-00
																										303-14C-00
	●											●														303-14F-00
																										303-14G-00
	●																									307-01-00
	●											●									●					310-03-00
				●																						412-02A-00
																										412-02B-00
				●																						412-03A-00
		●												●					●							413-00-00
●																				●						413-01-00
																										413-06-00
41	42	43	44	45	46	47	48	49	50	51	52	53	54	55	56	57	58	59	60	61	62	63	98	99		
7.5A	15A	15A	20A	7.5A	7.5A	15A	10A	25A	7.5A	7.5A	15A	10A		25A	20A	7.5A	7.5A	10A	7.5A	7.5A	7.5A	20A	30A	3A		

**Central Junction Box (CJB)**

		Fuse number													
		30	31	32	33	34	35	36	37	38	39	40			
		10A	15A	15A	20A	20A	7.5A	7.5A	25A	25A	15A	10A			
413-07-00	Clock							●							
413-08-00	Information and Message Center							●							
413-13-00	Parking Aid														●
414-02-00	Generator and Regulator														
415-01-00	Audio Unit		●												●
415-03-00	Speakers														
417-01-00	Exterior Lighting	●		●											●
417-02-00	Interior Lighting						●	●							
417-04-00	Daytime Running Lamps	●													
418-00-00	Module Communications Network														
419-01A-00	Anti-Theft – Active			●											
419-01B-00	Anti-Theft – Passive														
419-05-00	Telematics		●												
419-07-00	Vehicle Route Guidance/Navigation		●												●
419-08-00	Cellular Phone		●												
419-10-00	Multifunction Electronic Control Modules			●				●							
501-09-00	Rear View Mirrors						●	●							
501-10-00	Seating				●									●	
501-11-00	Glass (Glazing), Frames and Mechanisms								●	●					
501-12-00	Instrument Panel and Console														
501-14-00	Handles, Locks, Latches and Entry Systems			●											
501-16-00	Wipers and Washers														
501-17-00	Roof Opening Panel				●										
501-20A-00	Occupant Restraints – Active														
501-20B-00	Occupant Restraints – Passive														

Central Junction Box (CJB)

Fuse number																									
41	42	43	44	45	46	47	48	49	50	51	52	53	54	55	56	57	58	59	60	61	62	63	98	99	
7.5A	15A	15A	20A	7.5A	7.5A	15A	10A	25A	7.5A	7.5A	15A	10A		25A	20A	7.5A	7.5A	10A	7.5A	7.5A	7.5A	20A	30A	3A	
																				●					413-07-00
●																				●					413-08-00
											●														413-13-00
																									414-02-00
●																				●			●		415-01-00
																									415-03-00
	●		●								●					●	●	●			●				417-01-00
																●	●	●			●				417-02-00
																	●	●	●			●			417-04-00
							●																		418-00-00
																							●		419-01A-00
																					●				419-01B-00
●																				●					419-05-00
●																				●					419-07-00
●																				●					419-08-00
																				●		●			419-10-00
									●																501-09-00
											●														501-10-00
		●		●				●	●					●											501-11-00
						●																			501-12-00
																						●			501-14-00
	●									●		●			●				●	●					501-16-00
	●																								501-17-00
																									501-20A-00
																			●	●					501-20B-00
41	42	43	44	45	46	47	48	49	50	51	52	53	54	55	56	57	58	59	60	61	62	63	98	99	
7.5A	15A	15A	20A	7.5A	7.5A	15A	10A	25A	7.5A	7.5A	15A	10A		25A	20A	7.5A	7.5A	10A	7.5A	7.5A	7.5A	20A	30A	3A	

**Battery Junction Box (BJB)**

		Fuse number										
		1	2	3	4	5	6	7	8	9	10	11
		40A		40A	50A	60A	30A	40A	30A	20A	1A	30A
206-09A-00	Anti-Lock Control											●
206-09B-00	Anti-Lock Control – Traction Control											●
206-09C-00	Anti-Lock Control – Stability Assist											●
303-03-00	Engine Cooling					●			●			
303-04A-00	Fuel Charging and Controls – ZETEC–SE								●			
303-04B-00	Fuel Charging and Controls – ZETEC–E											
303-04F-00	Fuel Charging and Controls – Duratorq TDCi								●			
303-04G-00	Fuel Charging and Controls – Duratec–ST								●			
303-06-00	Starting System							●				
303-07A-00	Engine Ignition – ZETEC–SE											
303-07B-00	Engine Ignition – ZETEC–E											
303-07C-00	Glow Plug System – Endura–DI				●							
303-07F-00	Glow Plug System – Duratorq TDCi				●							
303-07G-00	Engine Ignition – Duratec–ST											
303-14A-00	Electronic Engine Controls – ZETEC–SE								●			
303-14B-00	Electronic Engine Controls – ZETEC–E								●			
303-14C-00	Electronic Engine Controls – Endura–DI											
303-14F-00	Electronic Engine Controls – Duratorq TDCi								●			
303-14G-00	Electronic Engine Controls – Duratec–ST								●			
307-01-00	Automatic Transmission							●	●			
310-03-00	Vehicle Speed Control								●			
412-02A-00	Heating and Ventilation											
412-02B-00	Auxiliary Heating		●						●			
412-03A-00	Air Conditioning											
413-00-00	Instrument Cluster and Panel Illumination											
413-01-00	Instrument Cluster								●			
413-06-00	Horn											

**Battery Junction Box (BJB)**

Fuse number																					
12	13	14	15	16	17	18	19	20	21	22	23	24	25	26	27	28	29	64	65		
15A	30A	10A	10A	15A	15A	10A		10A	30A	20A	20A	30A	15A	10A	10A	10A	30A	30A	30A		
									●											206-09A-00	
									●											206-09B-00	
									●											206-09C-00	
																	●		●	303-03-00	
																				303-04A-00	
																				303-04B-00	
●																				303-04F-00	
																				303-04G-00	
																				303-06-00	
																				303-07A-00	
																				303-07B-00	
																				303-07C-00	
																				303-07F-00	
																				303-07G-00	
●						●			●											303-14A-00	
●						●			●											303-14B-00	
●									●							●				303-14C-00	
●									●							●				303-14F-00	
●						●			●											303-14G-00	
																				307-01-00	
																				310-03-00	
																		●		412-02A-00	
											●	●				●				412-02B-00	
			●															●		412-03A-00	
																				413-00-00	
															●					413-01-00	
																				413-06-00	
12	13	14	15	16	17	18	19	20	21	22	23	24	25	26	27	28	29	64	65		
15A	30A	10A	10A	15A	15A	10A		10A	30A	20A	20A	30A	15A	10A	10A	10A	30A	30A	30A		

**Battery Junction Box (BJB)**

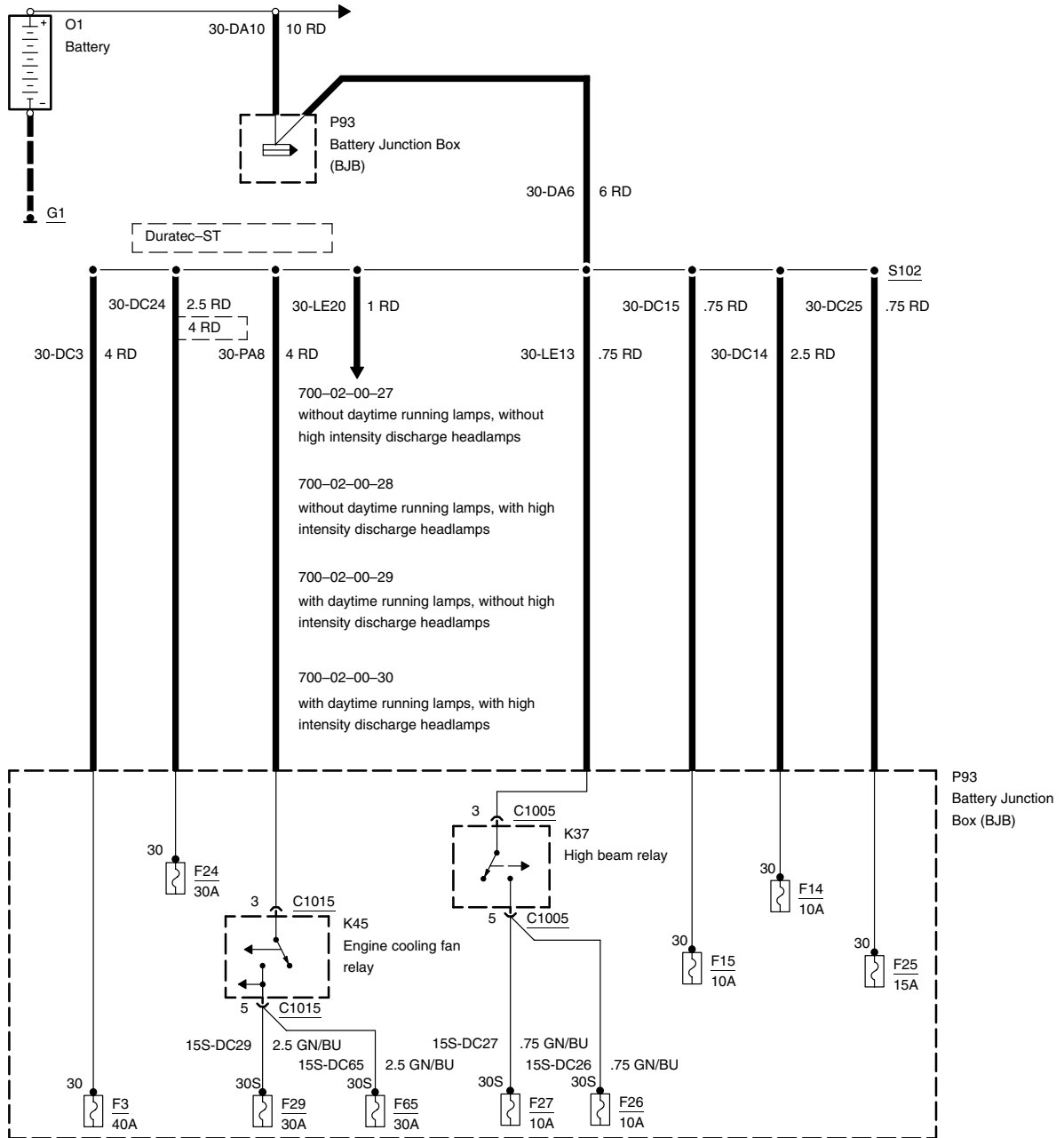
		Fuse number										
		1	2	3	4	5	6	7	8	9	10	11
		40A		40A	50A	60A	30A	40A	30A	20A	1A	30A
413-07-00	Clock											
413-08-00	Information and Message Center											
413-13-00	Parking Aid											
414-02-00	Generator and Regulator									●		
415-01-00	Audio Unit											
415-03-00	Speakers											
417-01-00	Exterior Lighting								●			
417-02-00	Interior Lighting											
417-04-00	Daytime Running Lamps											
418-00-00	Module Communications Network											
419-01A-00	Anti-Theft – Active											
419-01B-00	Anti-Theft – Passive								●			
419-05-00	Telematics											
419-07-00	Vehicle Route Guidance/Navigation											
419-08-00	Cellular Phone											
419-10-00	Multifunction Electronic Control Modules											
501-09-00	Rear View Mirrors											
501-10-00	Seating											
501-11-00	Glass (Glazing), Frames and Mechanisms				●		●					
501-12-00	Instrument Panel and Console											
501-14-00	Handles, Locks, Latches and Entry Systems											
501-16-00	Wipers and Washers											
501-17-00	Roof Opening Panel											
501-20A-00	Occupant Restraints – Active											
501-20B-00	Occupant Restraints – Passive											



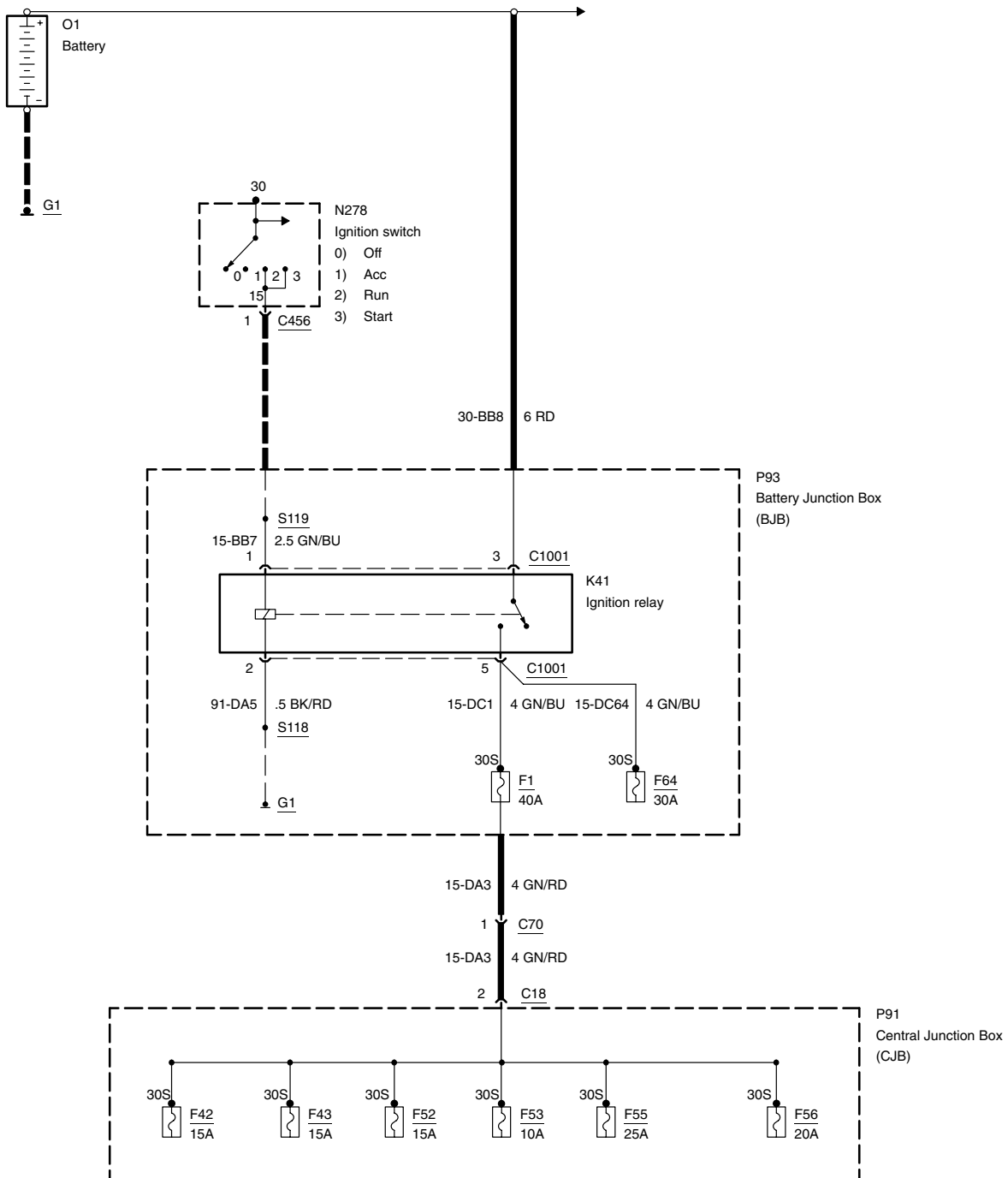
**Battery Junction Box (BJB)**

Fuse number																				
12	13	14	15	16	17	18	19	20	21	22	23	24	25	26	27	28	29	64	65	
15A	30A	10A	10A	15A	15A	10A		10A	30A	20A	20A	30A	15A	10A	10A	10A	30A	30A	30A	
																				413-07-00
																				413-08-00
																				413-13-00
																				414-02-00
												●								415-01-00
												●								415-03-00
		●		●	●					●				●	●					417-01-00
																				417-02-00
		●		●	●					●				●	●	●				417-04-00
																				418-00-00
												●								419-01A-00
								●												419-01B-00
																				419-05-00
																				419-07-00
																				419-08-00
																				419-10-00
																				501-09-00
																				501-10-00
																				501-11-00
																				501-12-00
																				501-14-00
	●																			501-16-00
																				501-17-00
																				501-20A-00
																				501-20B-00
12	13	14	15	16	17	18	19	20	21	22	23	24	25	26	27	28	29	64	65	
15A	30A	10A	10A	15A	15A	10A		10A	30A	20A	20A	30A	15A	10A	10A	10A	30A	30A	30A	

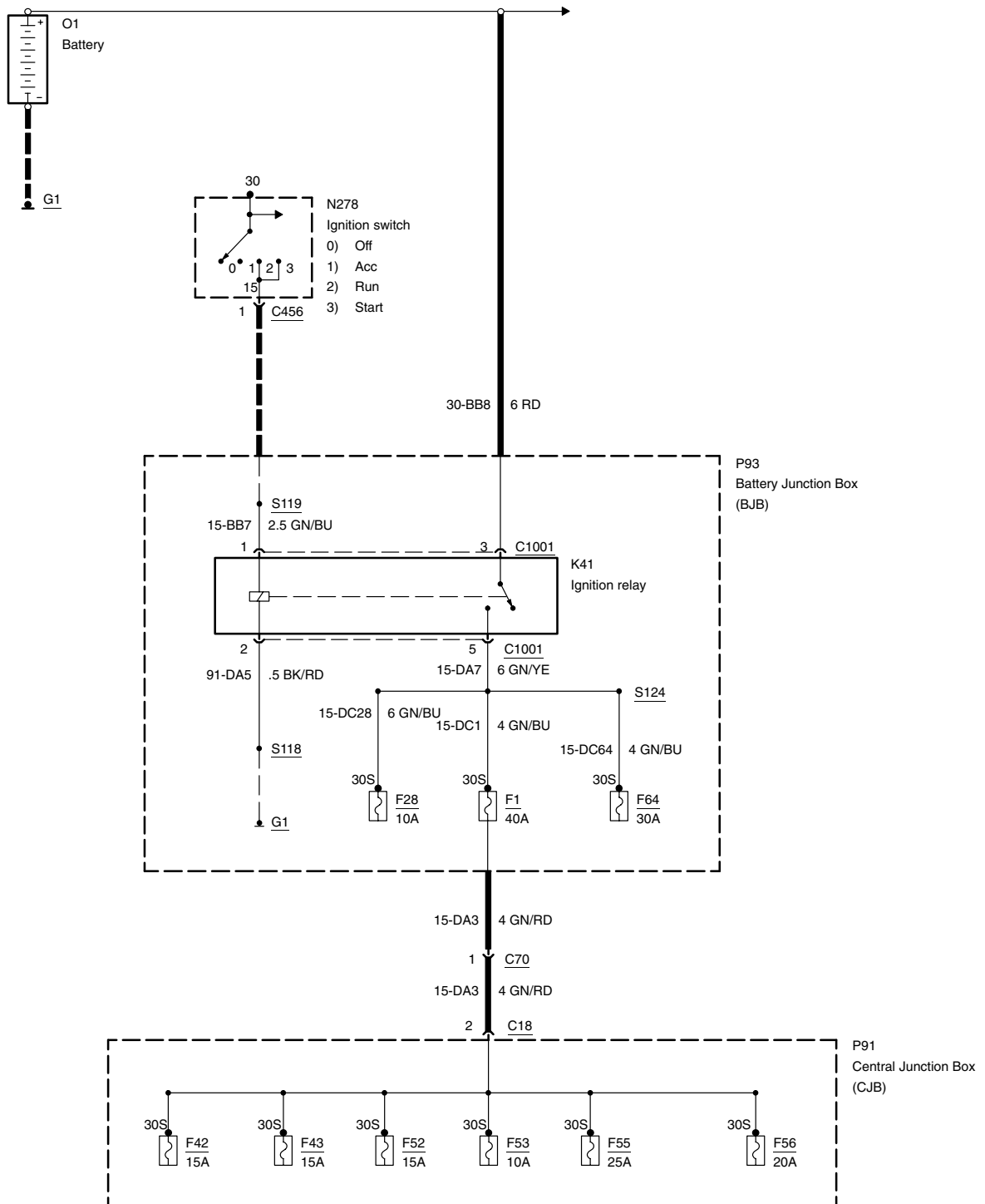




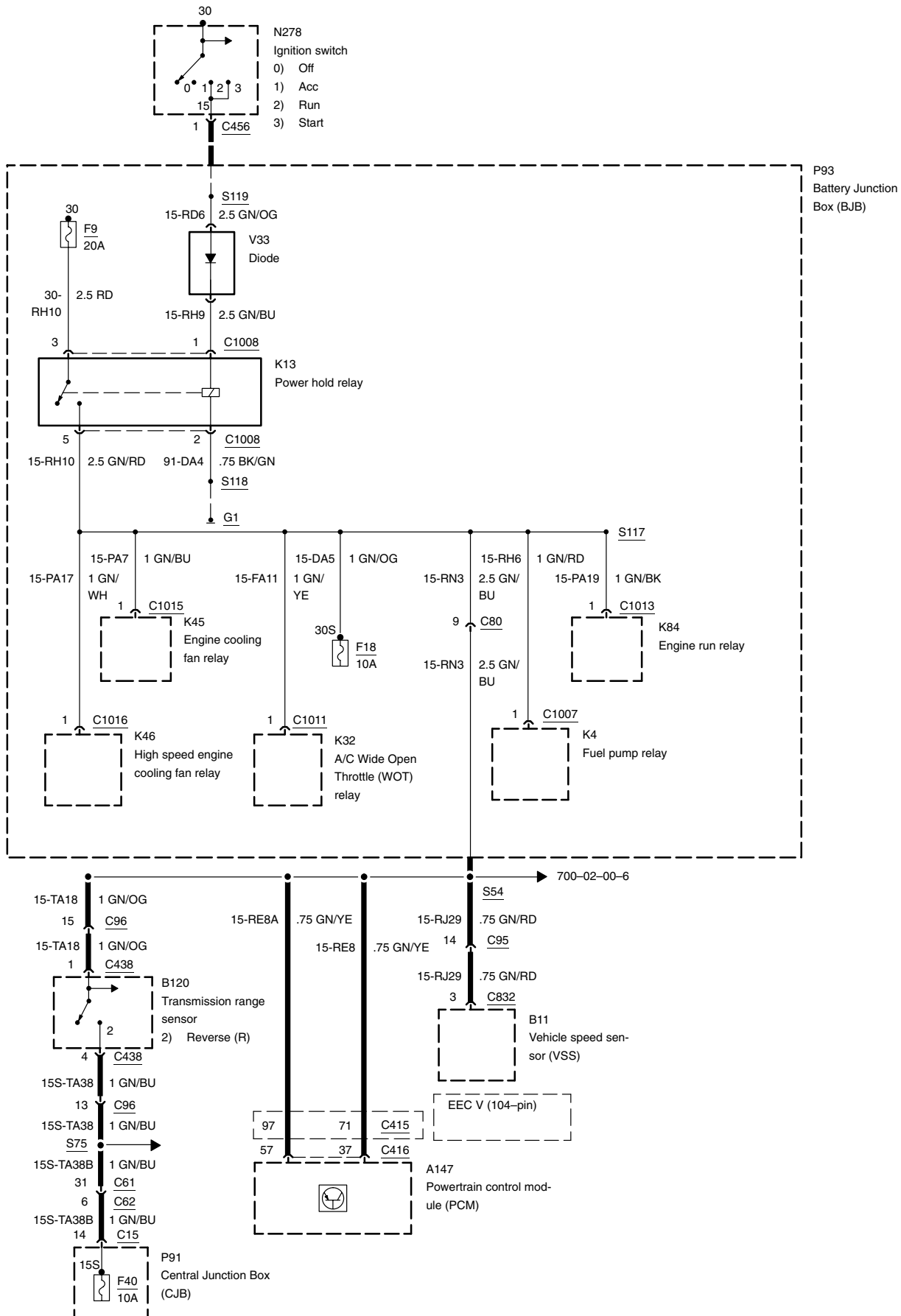
except Duratec-RS



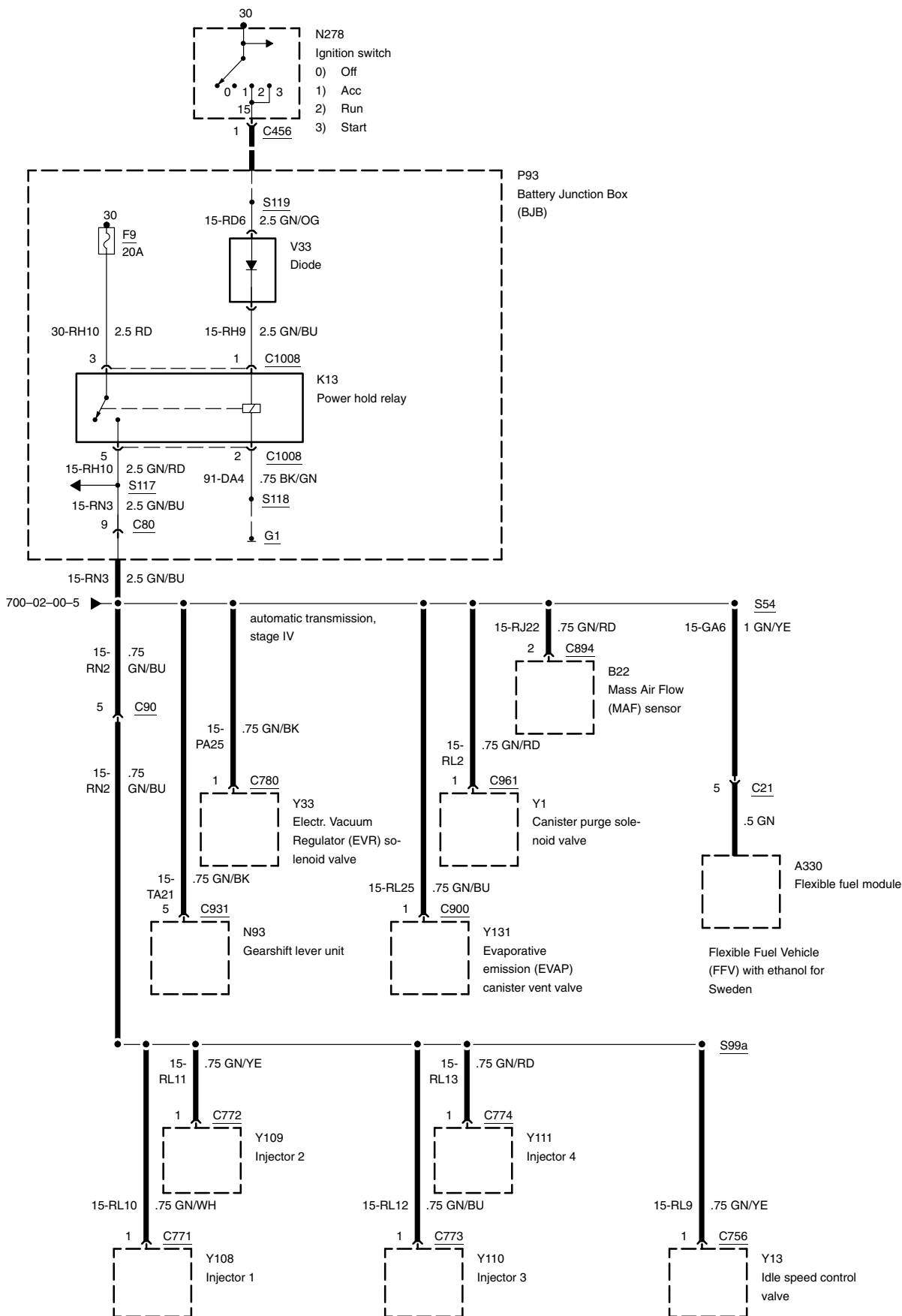
Duratec-RS



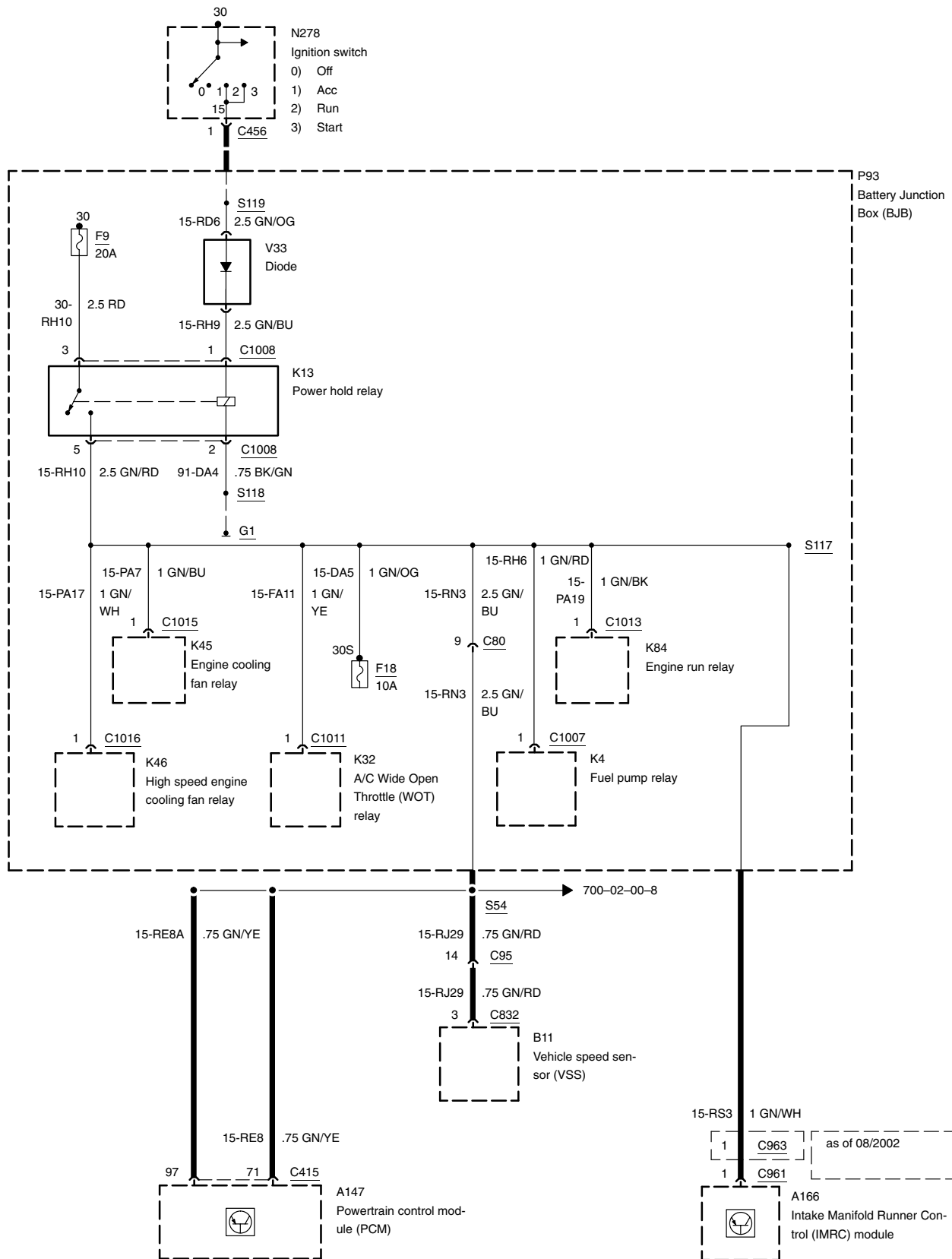
Petrol engines, ZETEC-SE, ZETEC-E



Petrol engines, ZETEC-SE, ZETEC-E

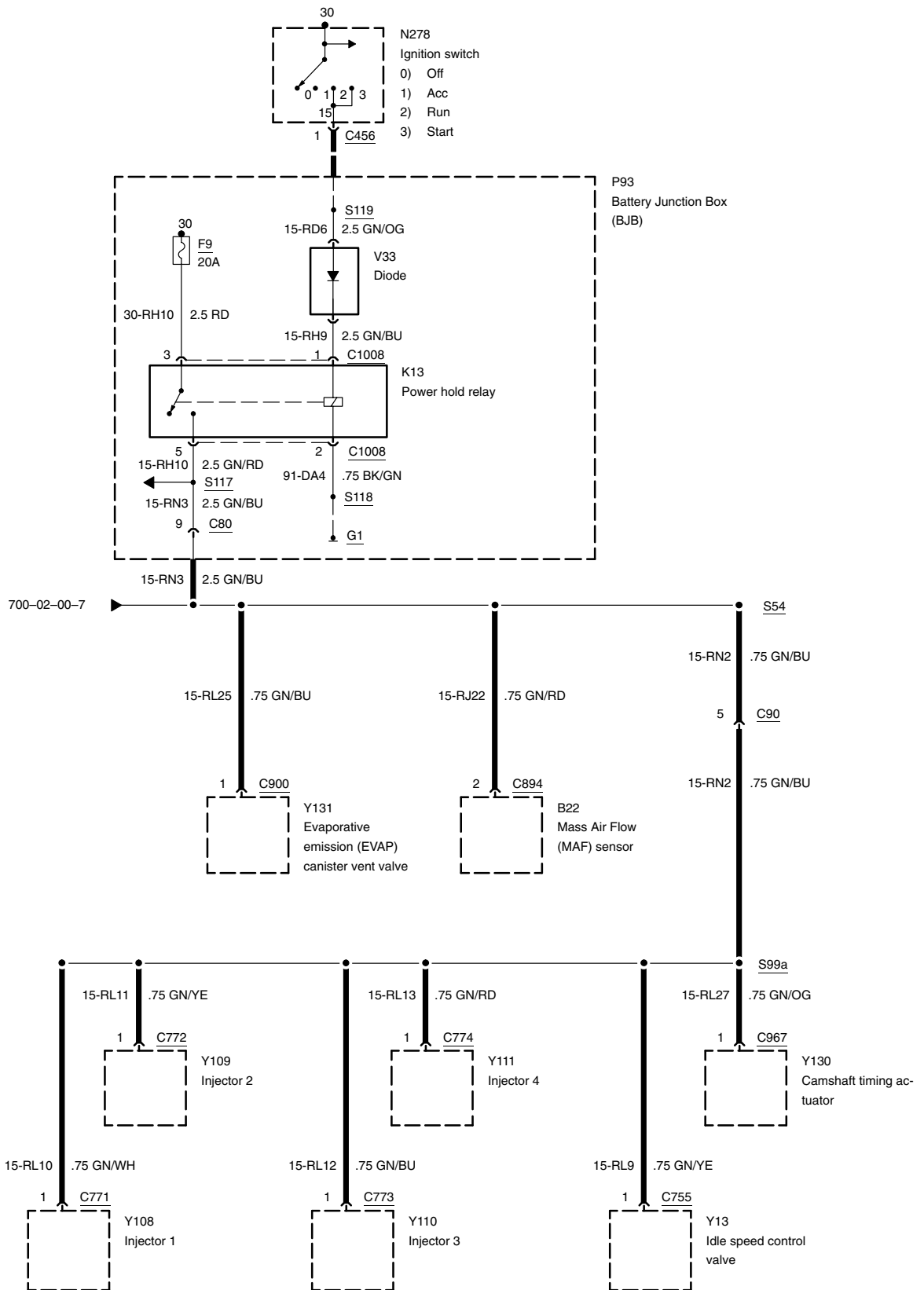


Petrol engines, Duratec-ST

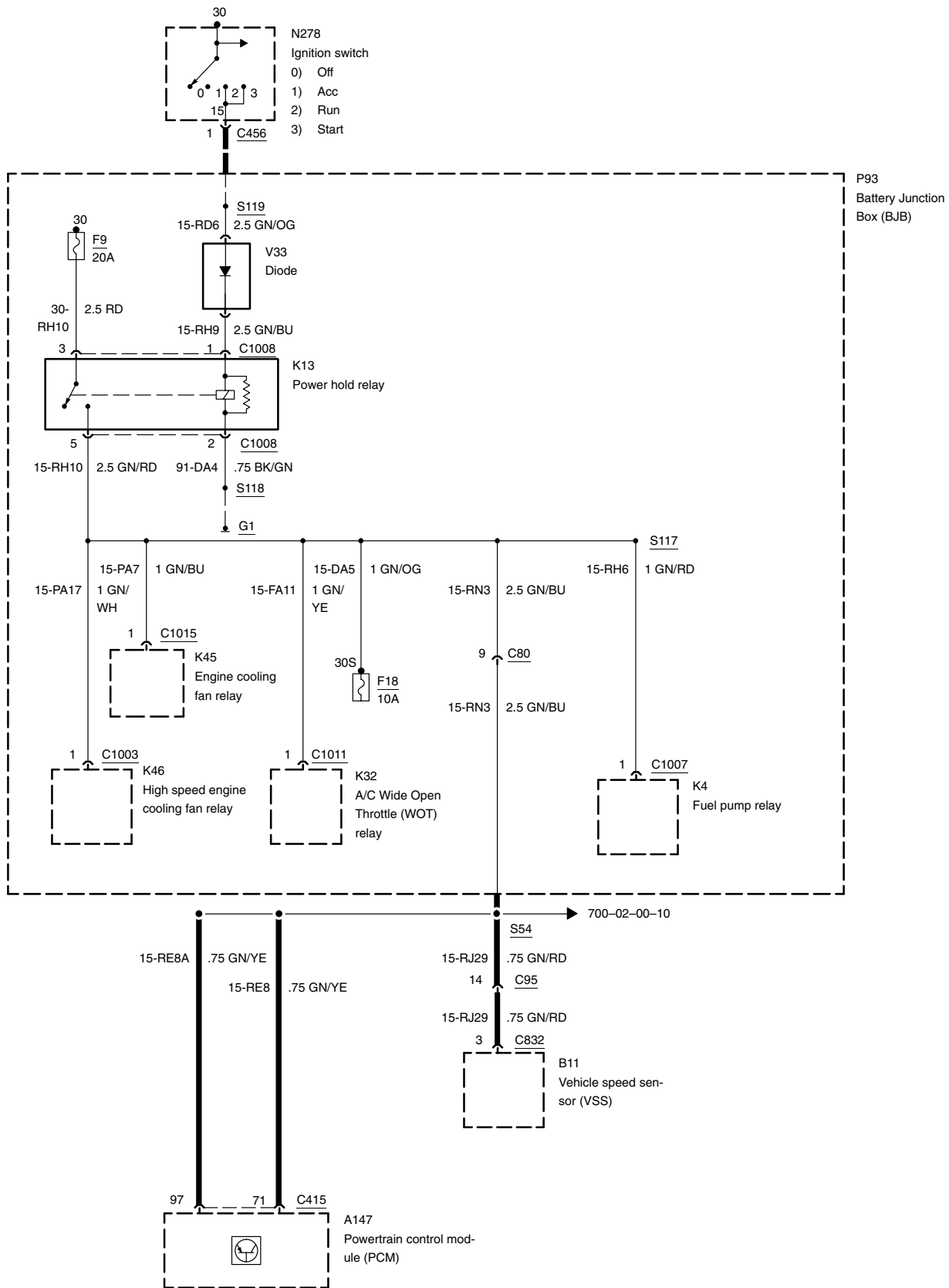




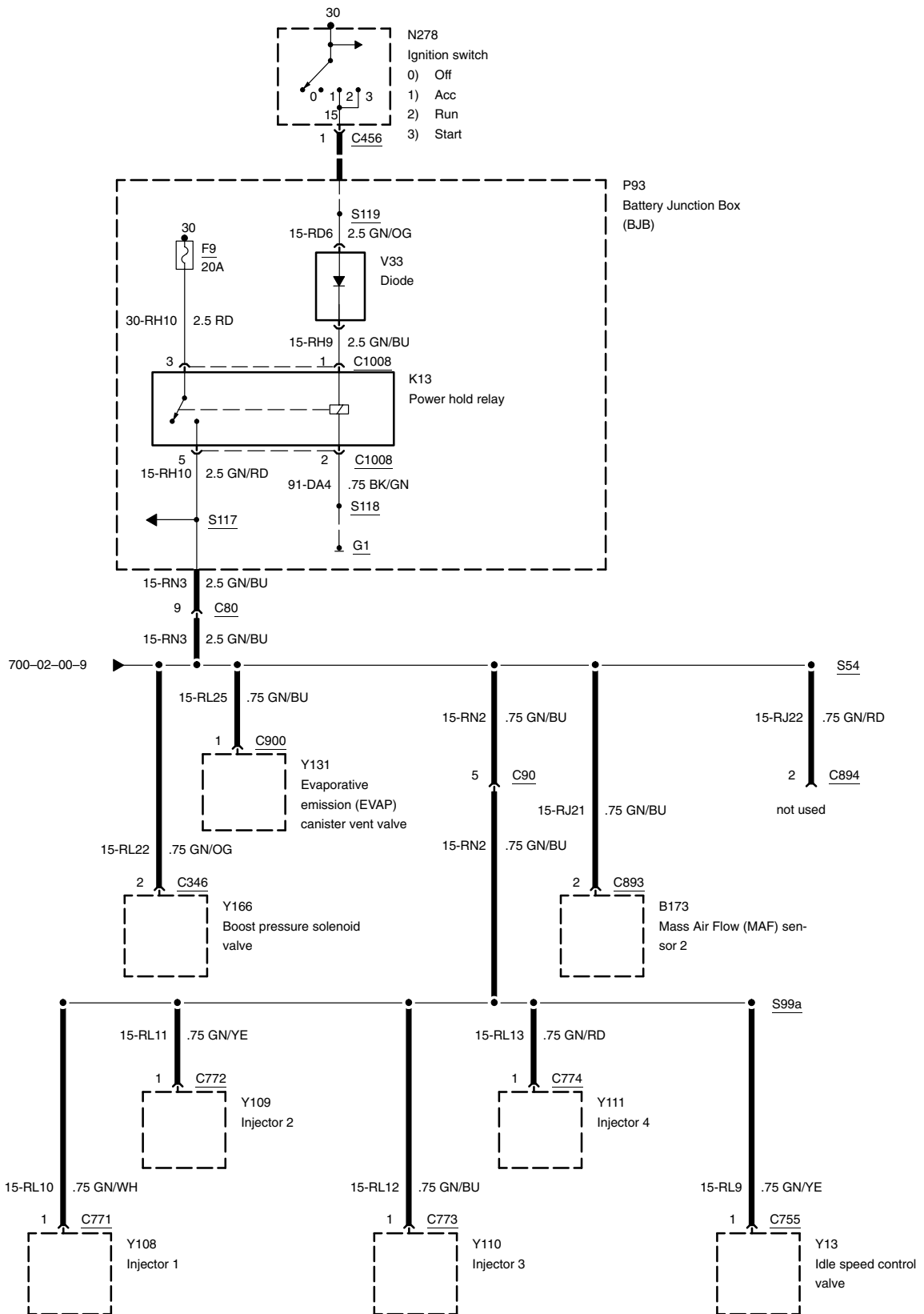
Petrol engines, Duratec-ST



Petrol engines, Duratec-RS



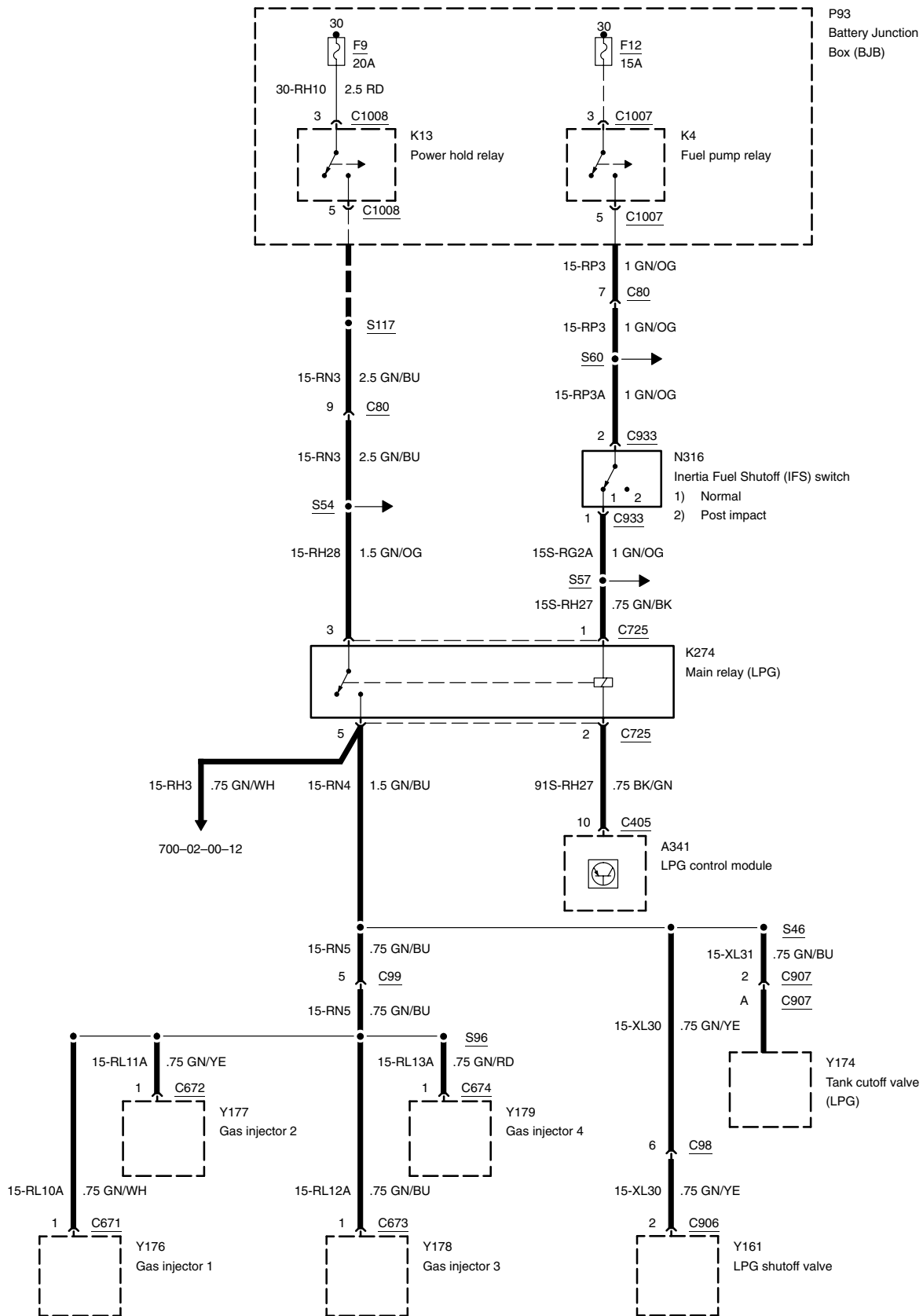
Petrol engines, Duratec-RS



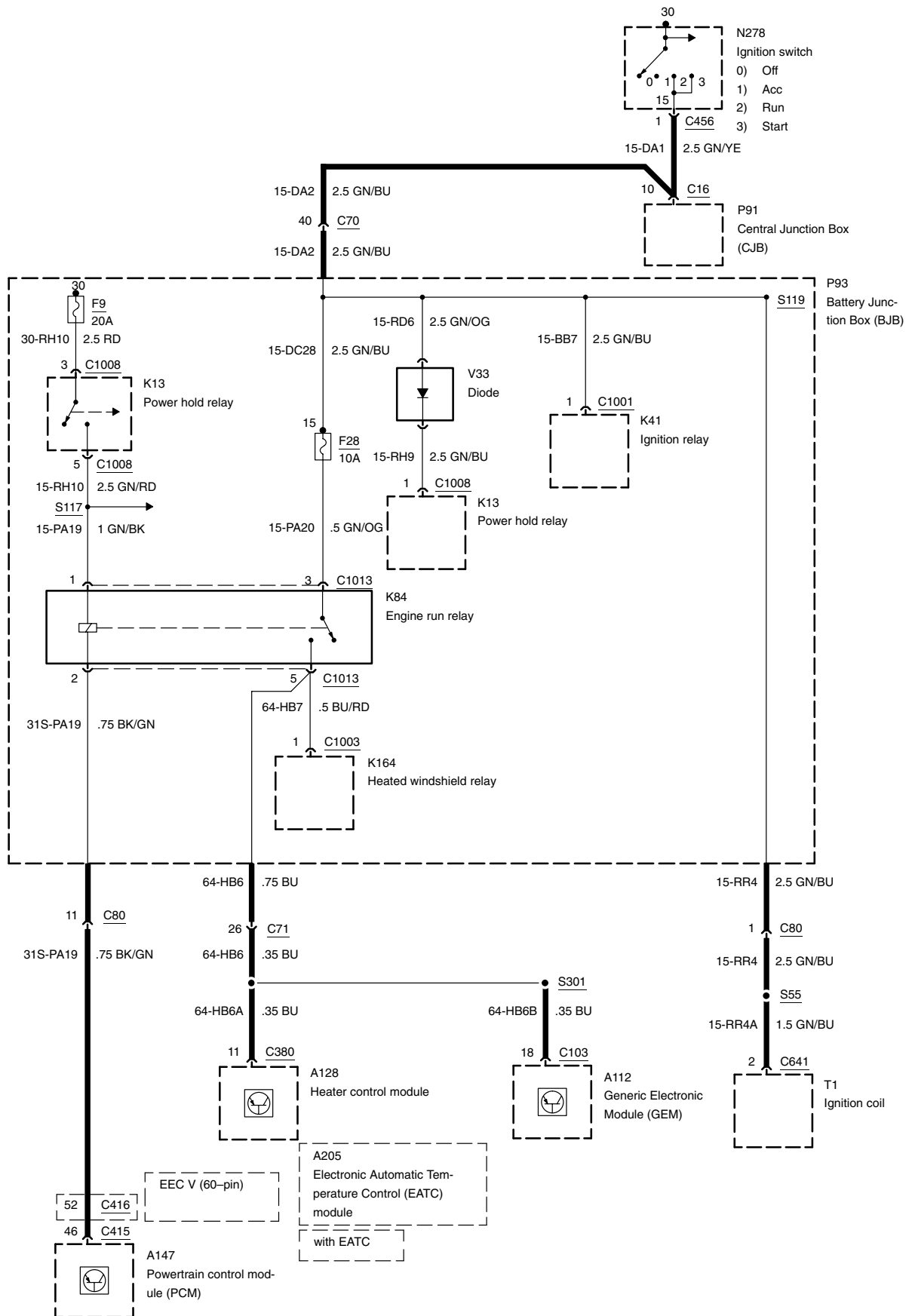




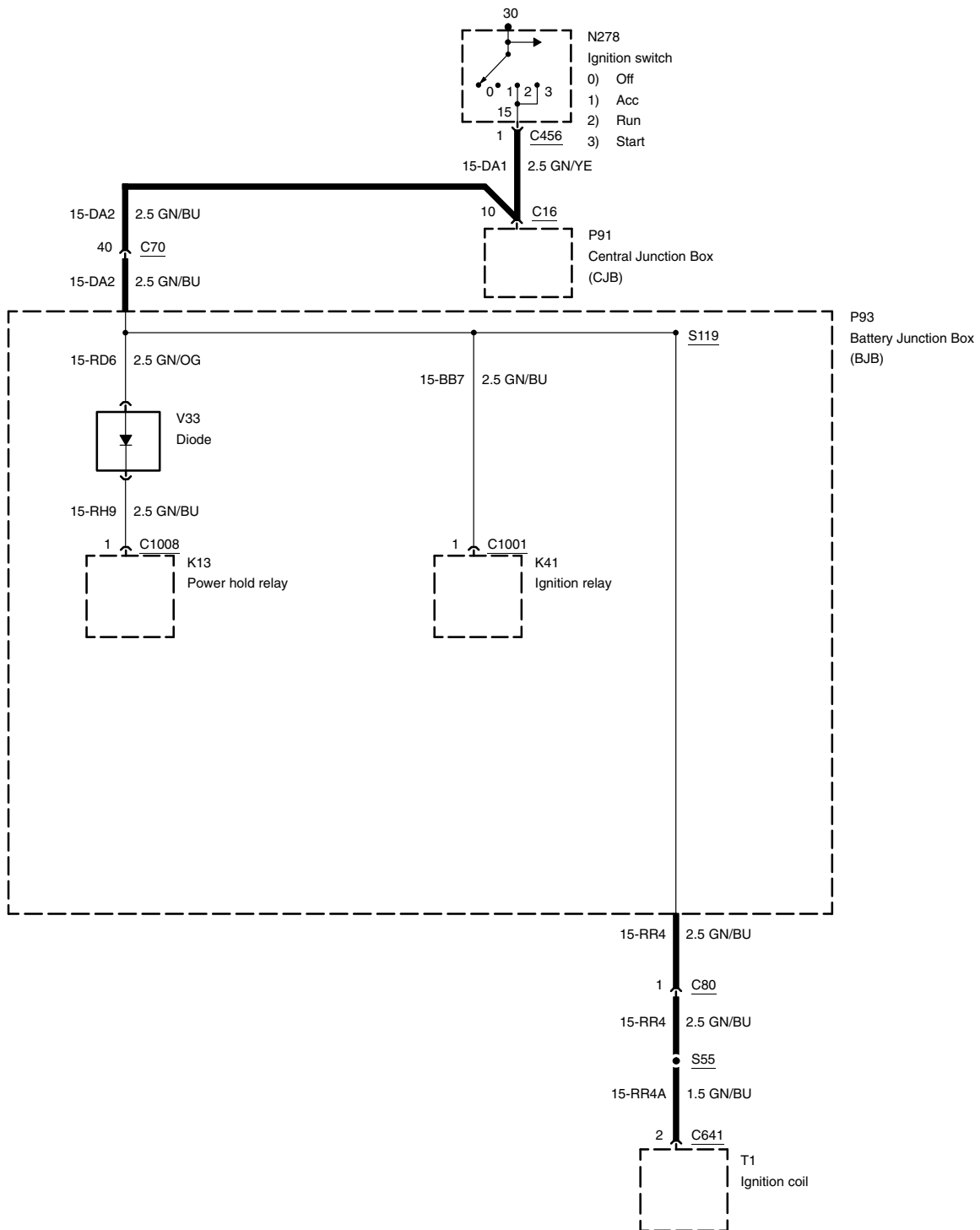
Petrol engines, ZETEC-E, with LPG fuel system



Petrol engines, except Duratec-RS

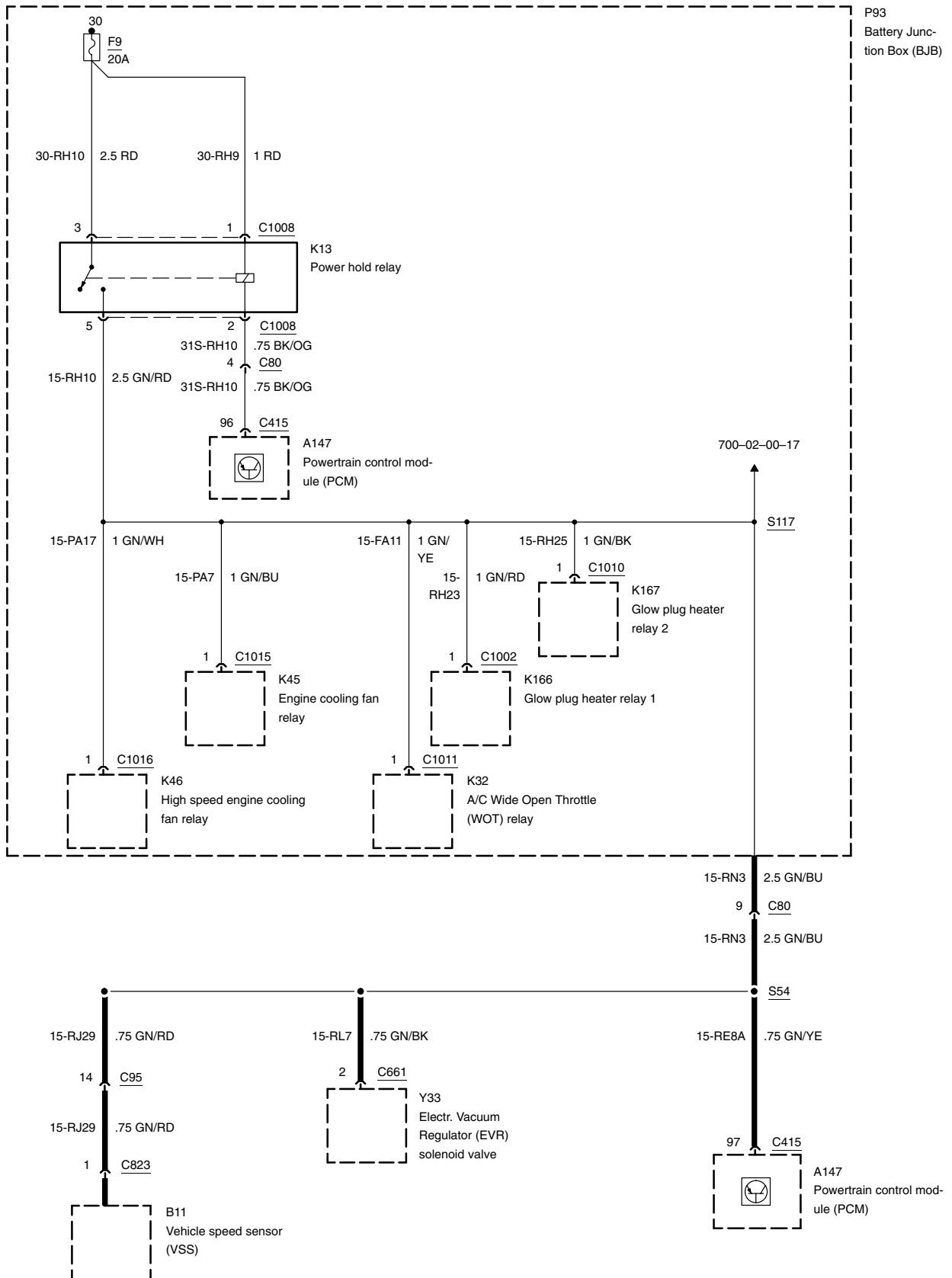


Petrol engines, Duratec-RS

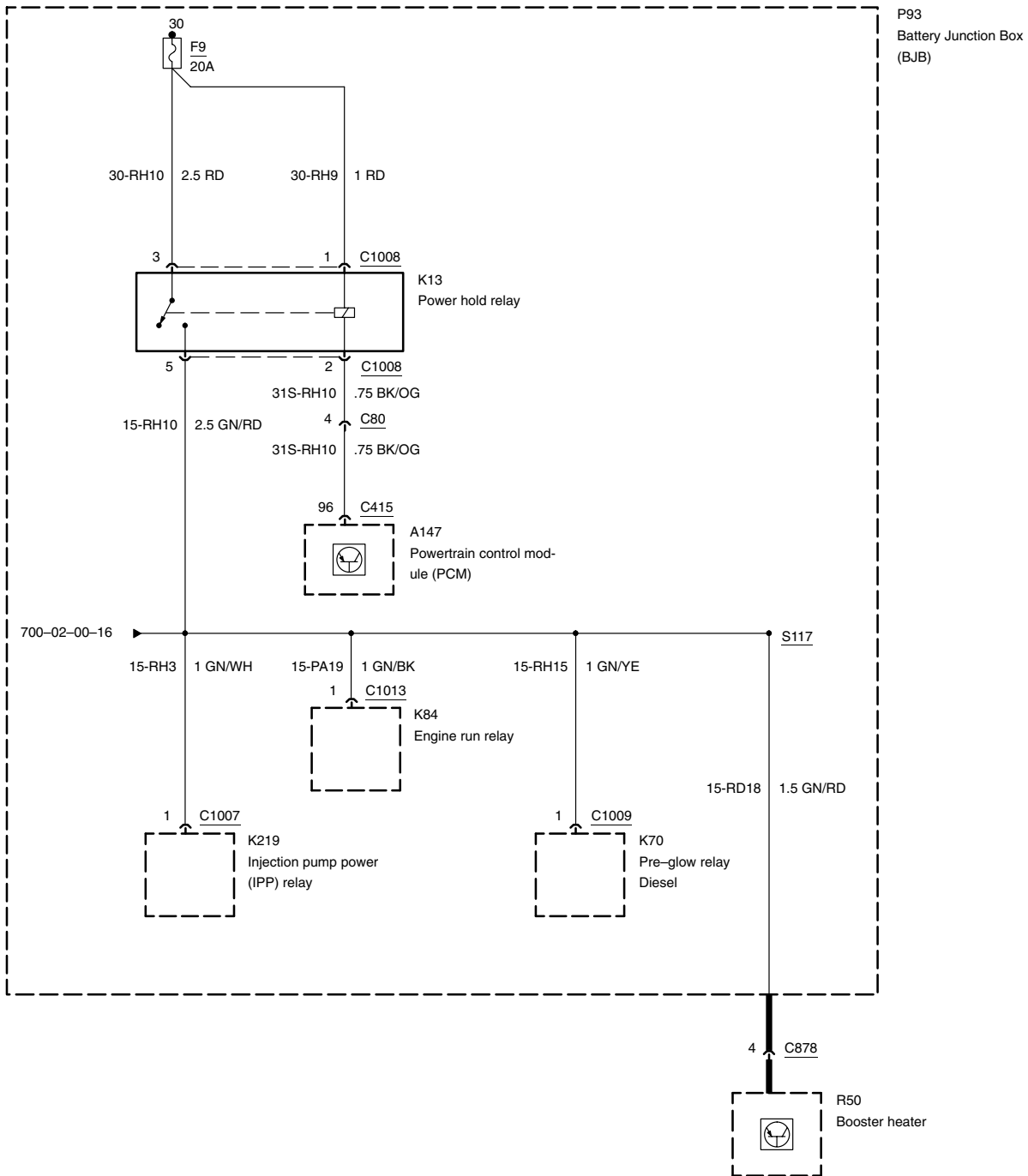




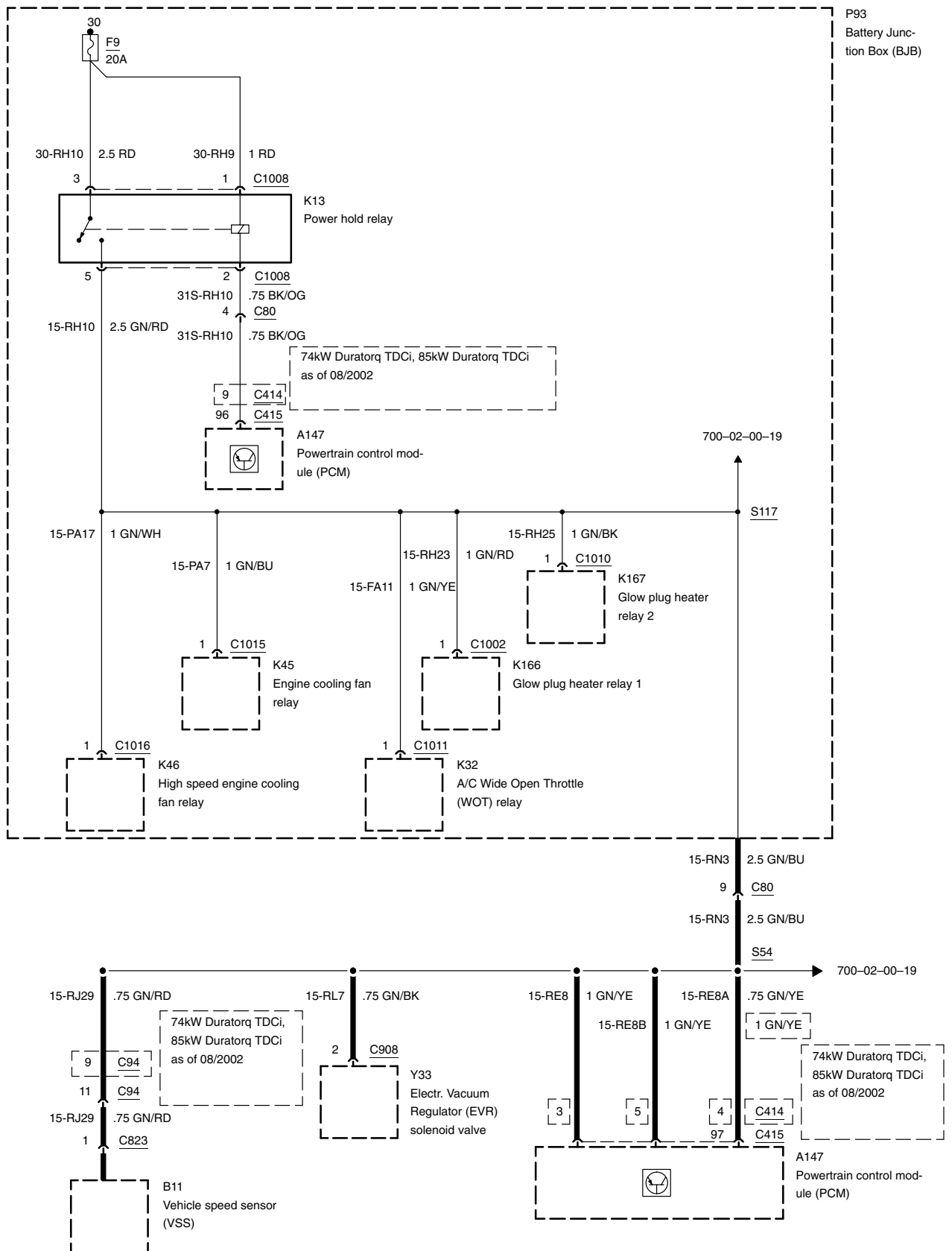
### Diesel engines, Endura-TDDi



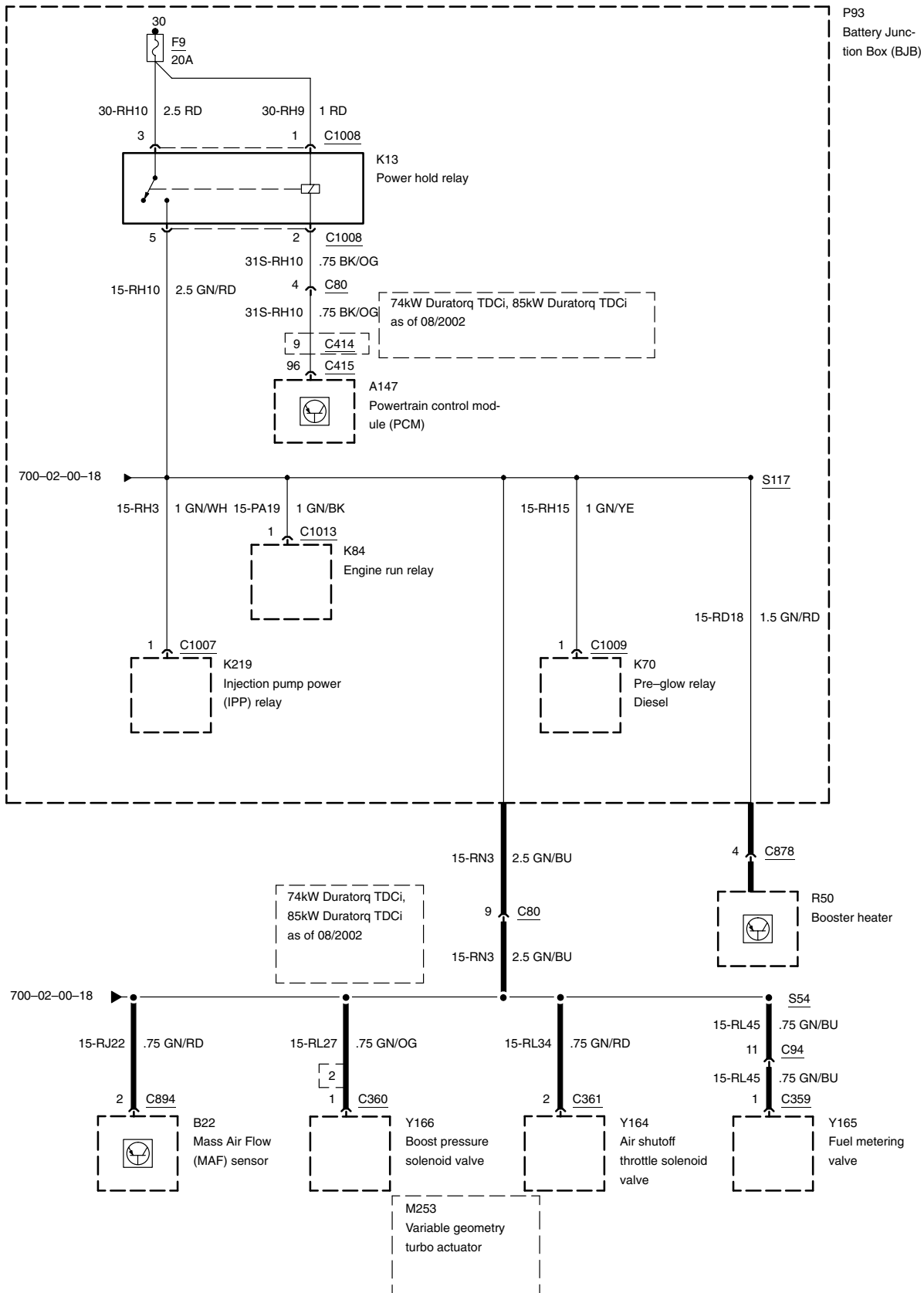
Diesel engines, Endura-TDDi



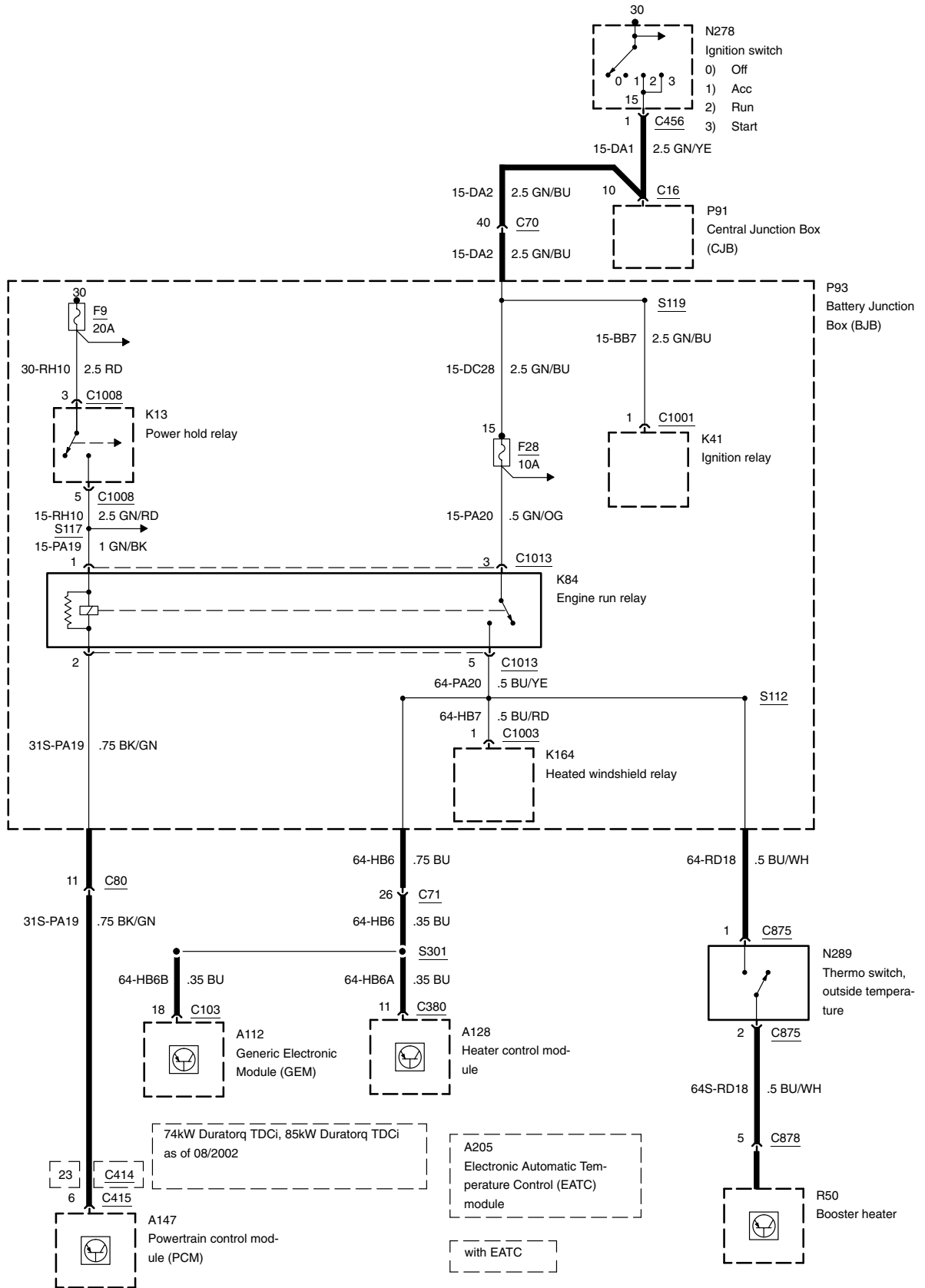
Diesel engines, Duratorq TDCi



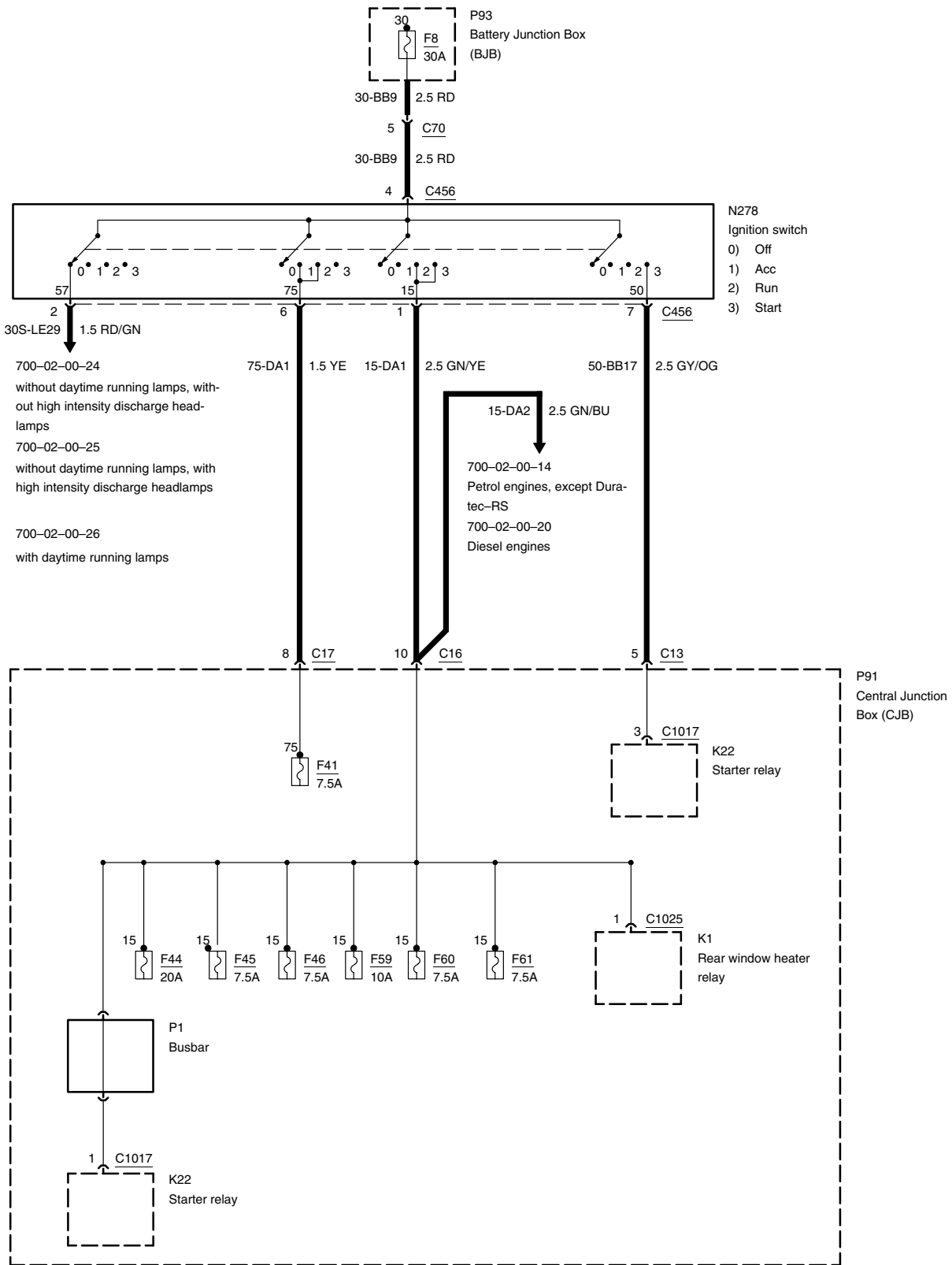
Diesel engines, Duratorq TDCi



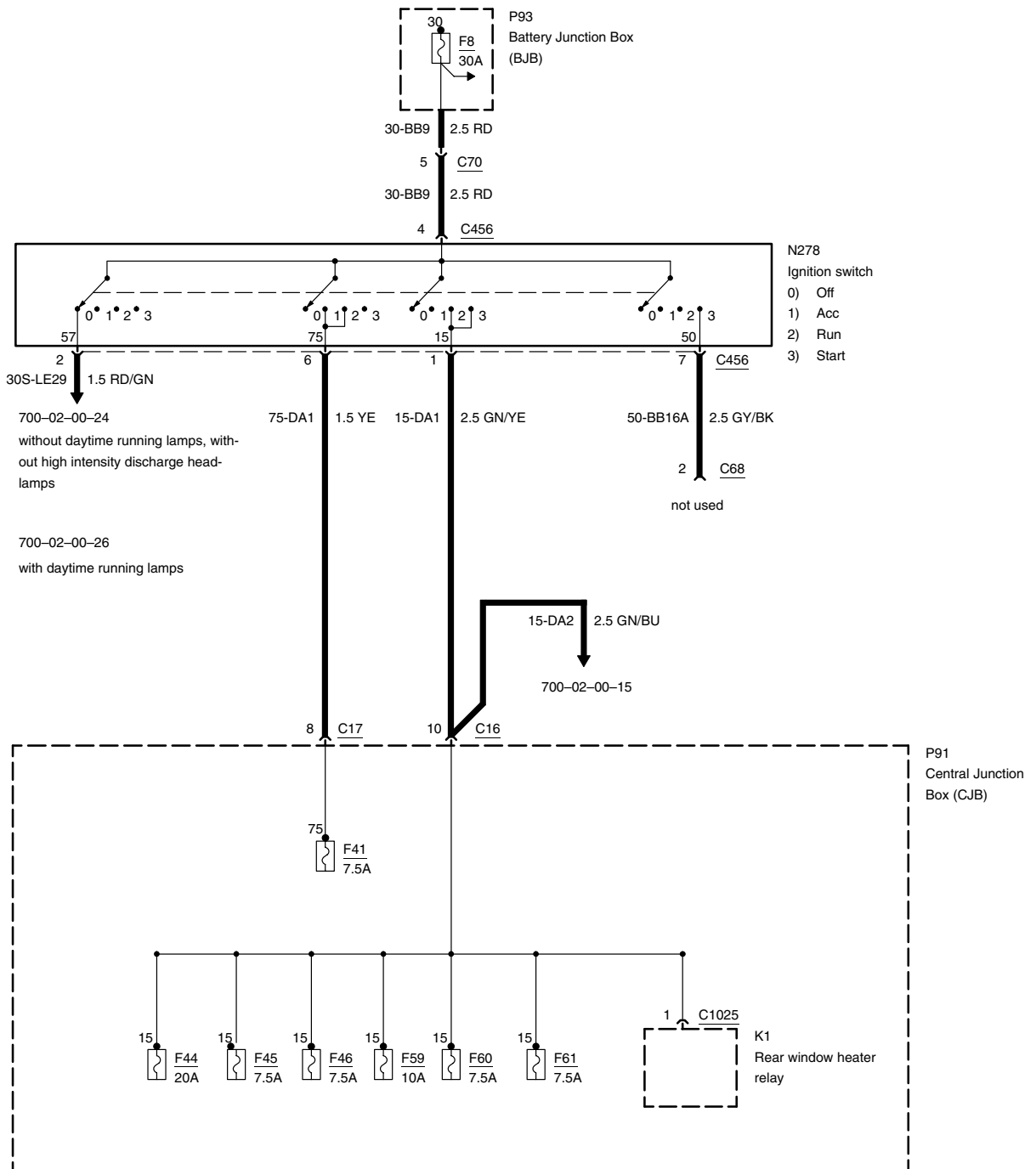
Diesel engines



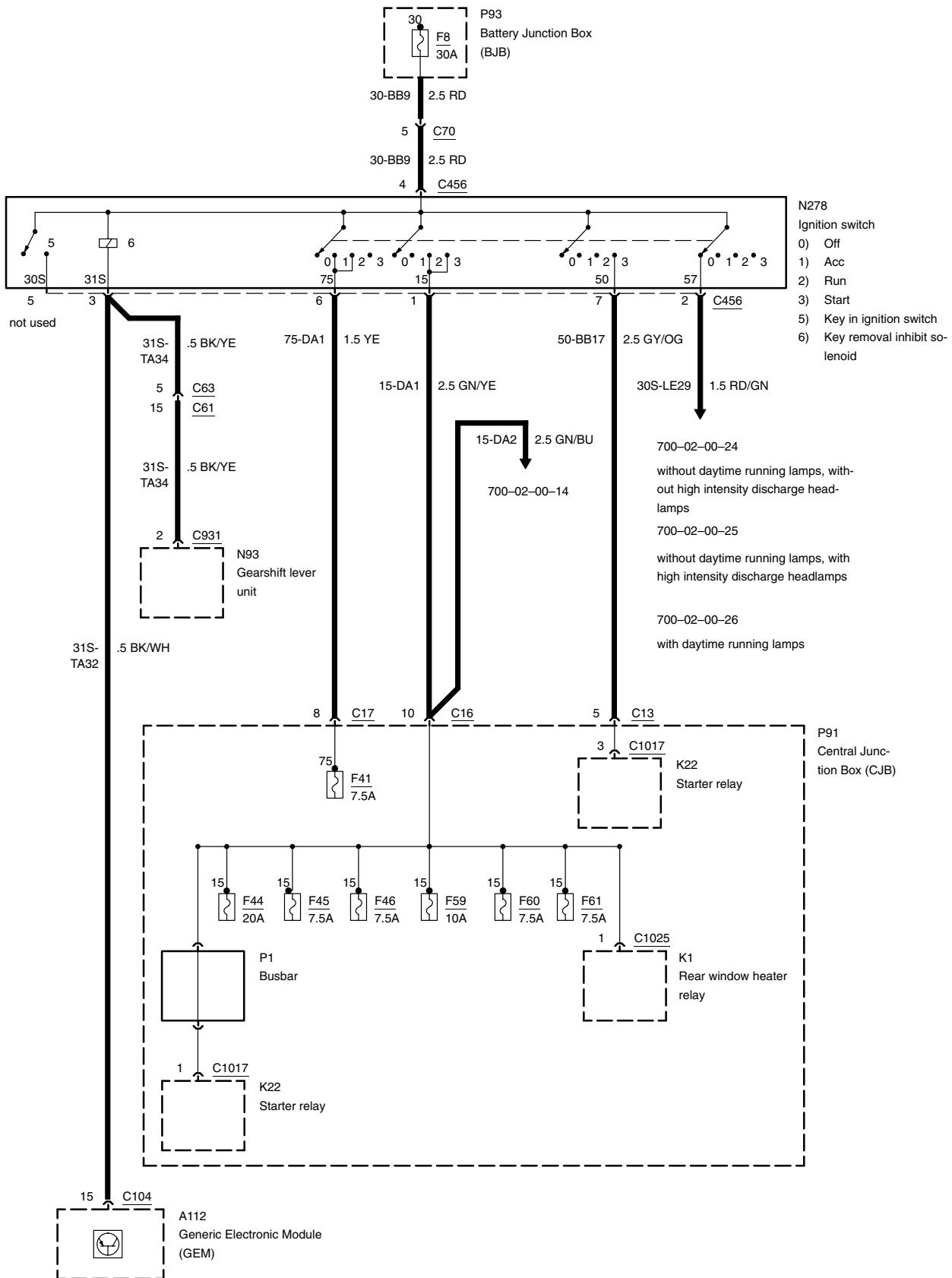
Ignition switch, manual transmission, except Duratec-RS



Ignition switch, manual transmission, Duratec-RS

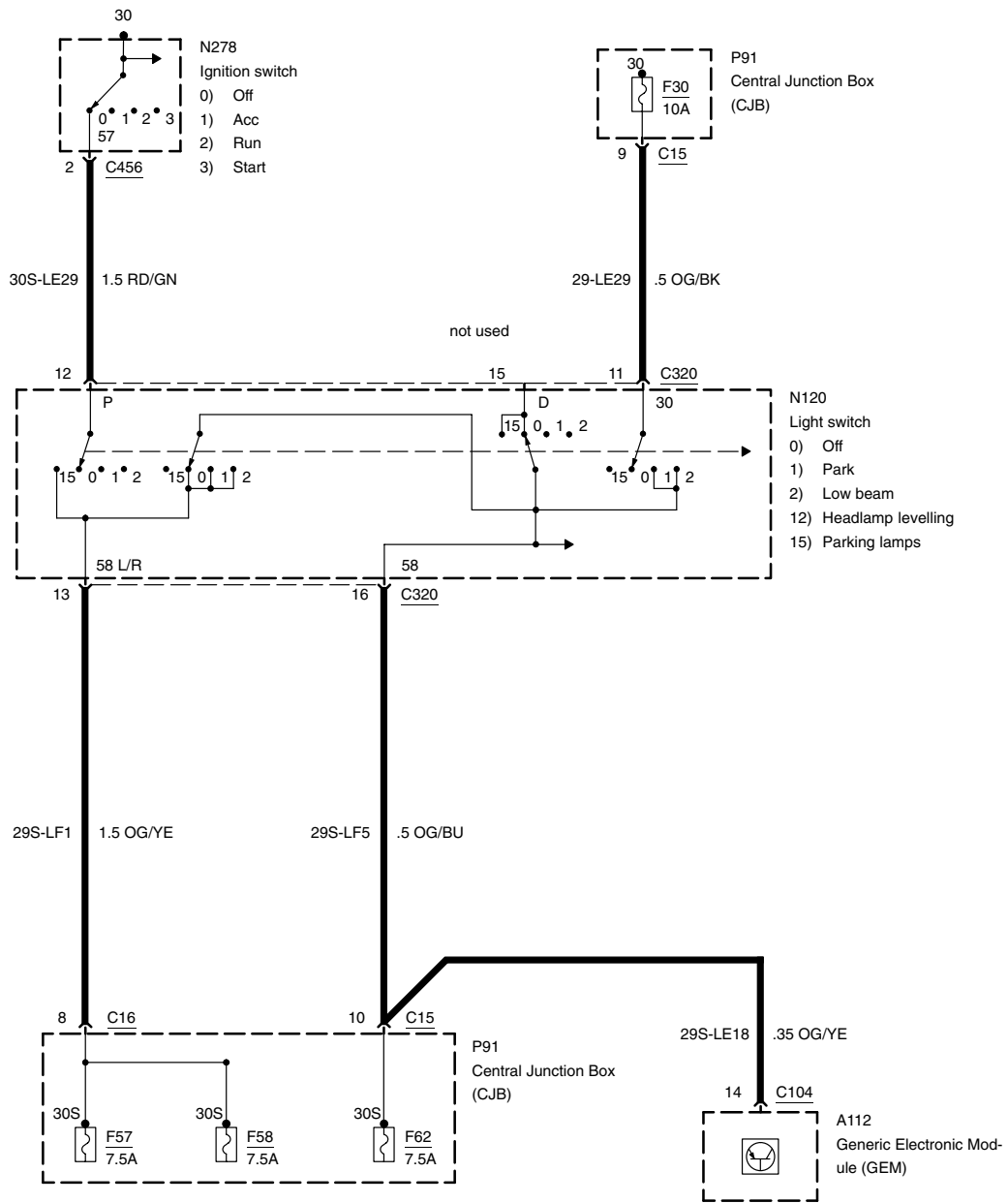


Ignition switch, automatic transmission

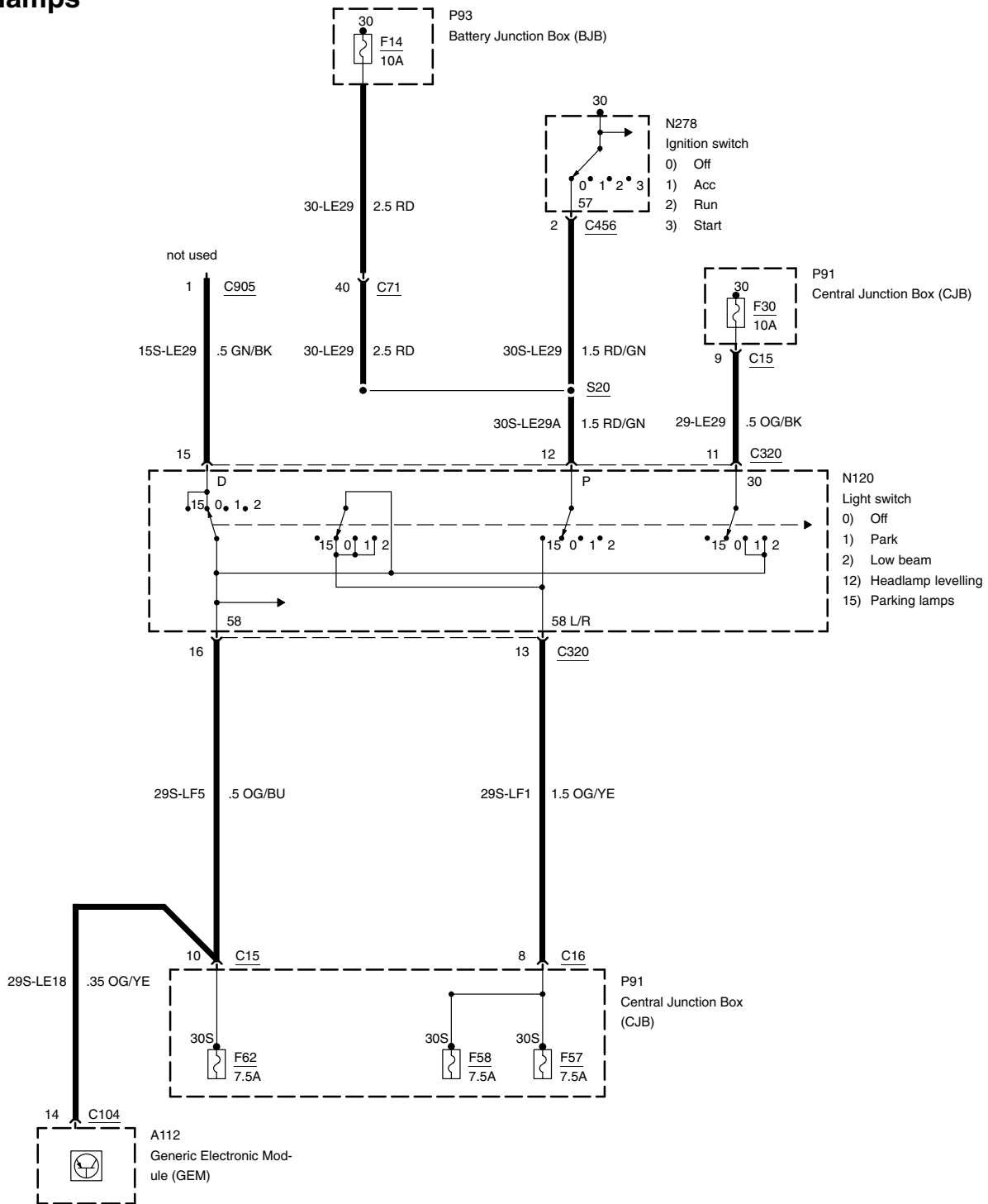




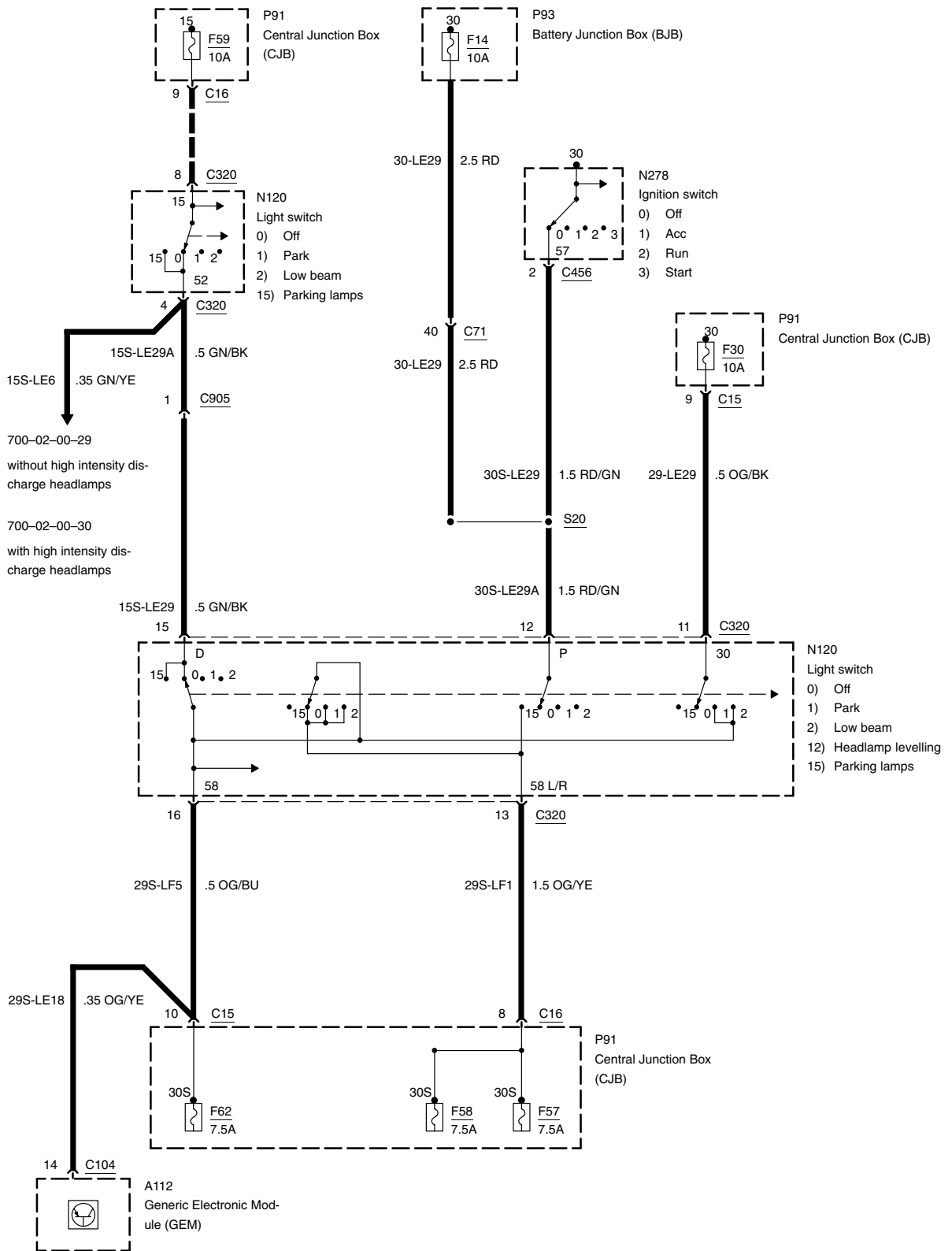
# Light switch, without daytime running lamps, without high intensity discharge headlamps



# Light switch, without daytime running lamps, with high intensity discharge headlamps

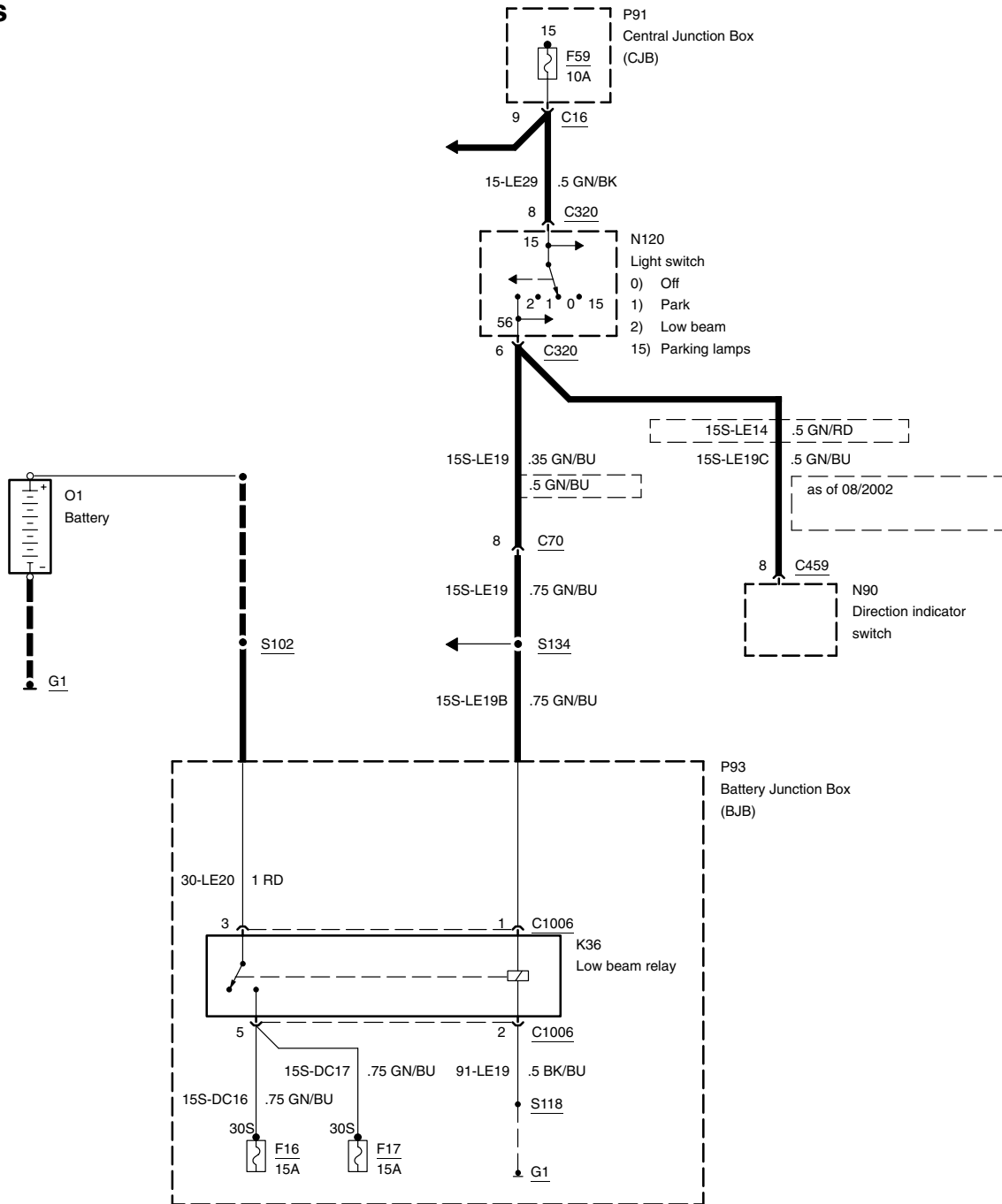


Light switch, with daytime running lamps

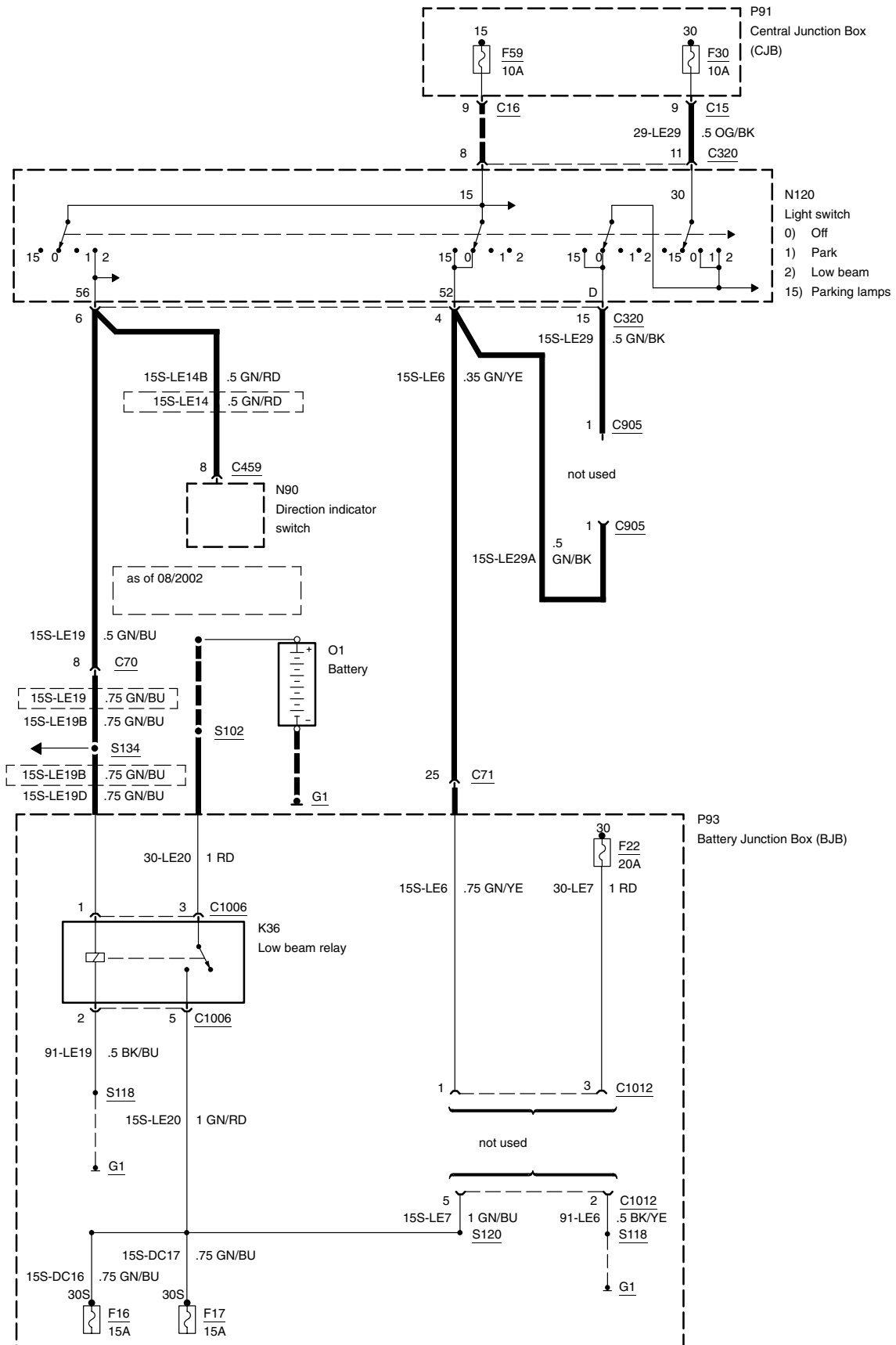


Without daytime running lamps, without high intensity discharge head-lamps

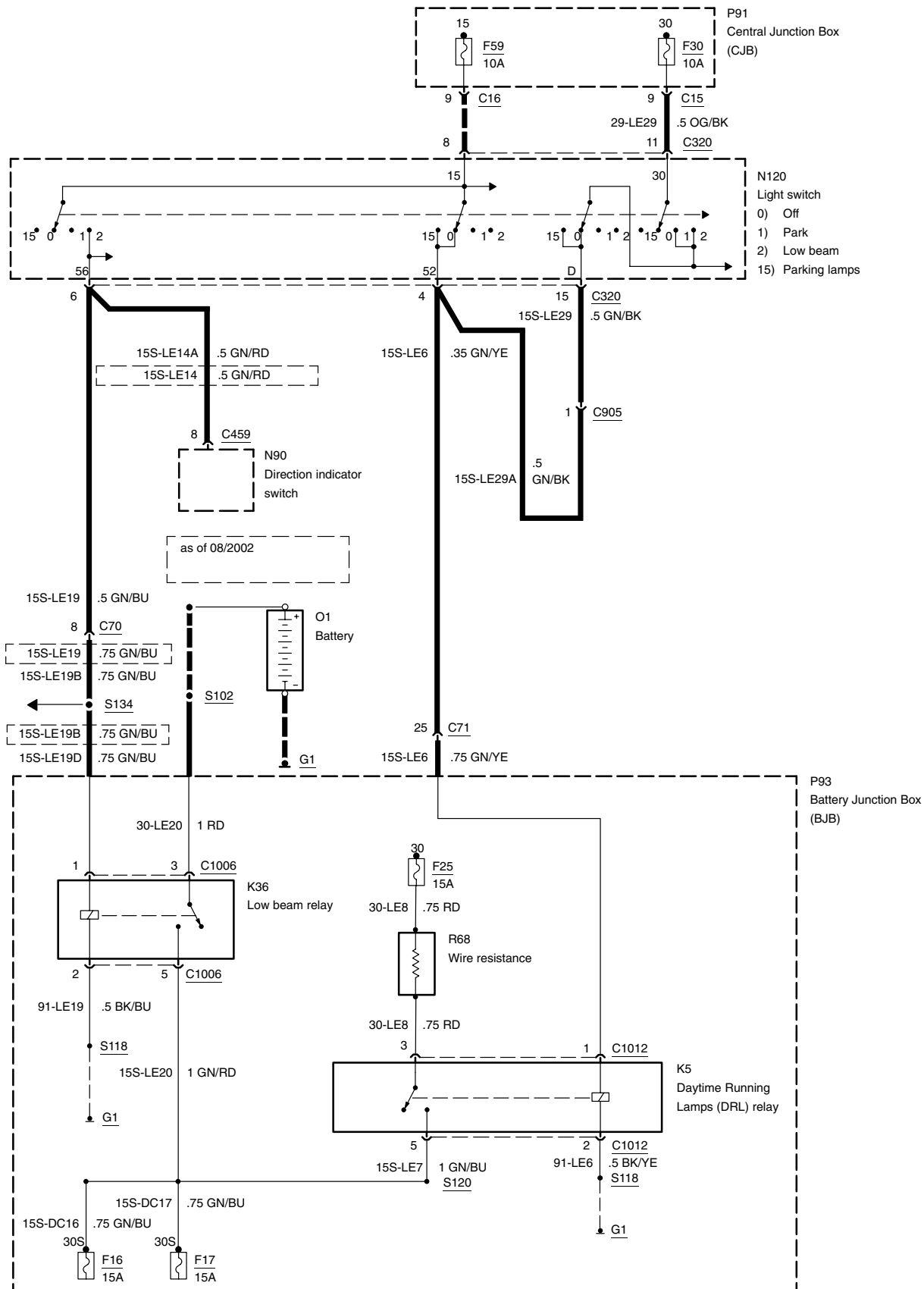
-27



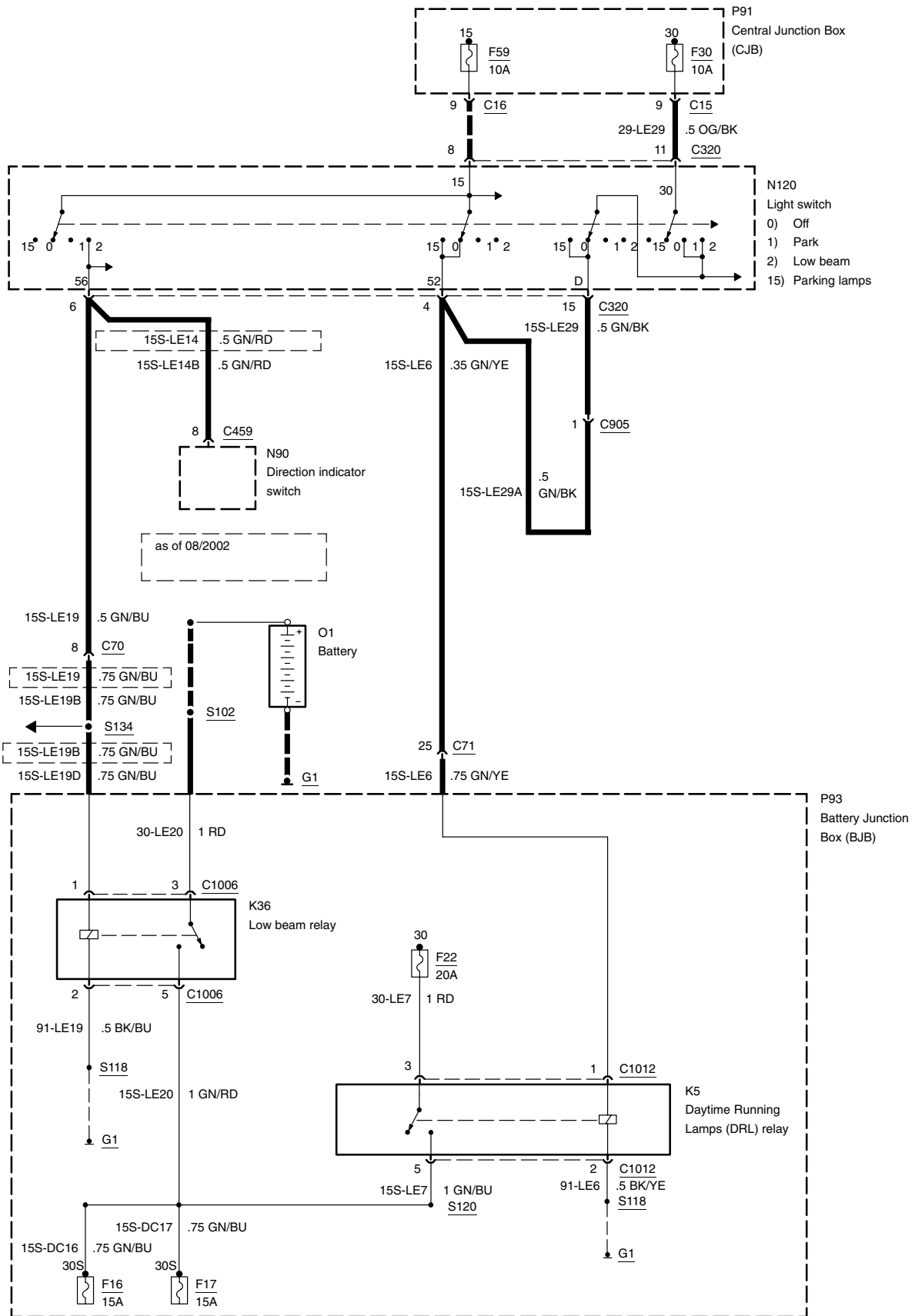
Without daytime running lamps, with high intensity discharge headlamps



With daytime running lamps, without high intensity discharge headlamps

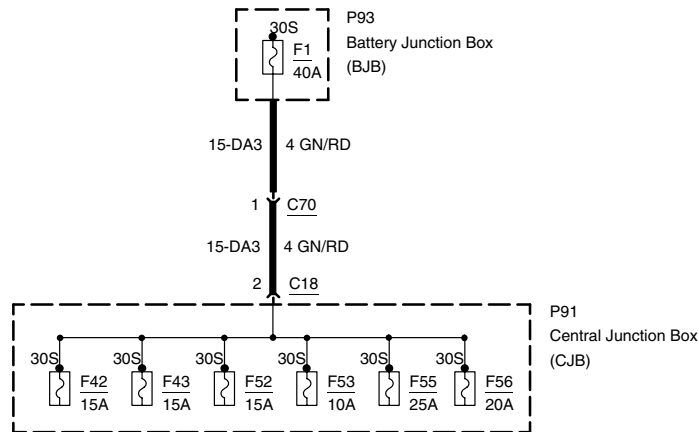


With daytime running lamps, with high intensity discharge headlamps



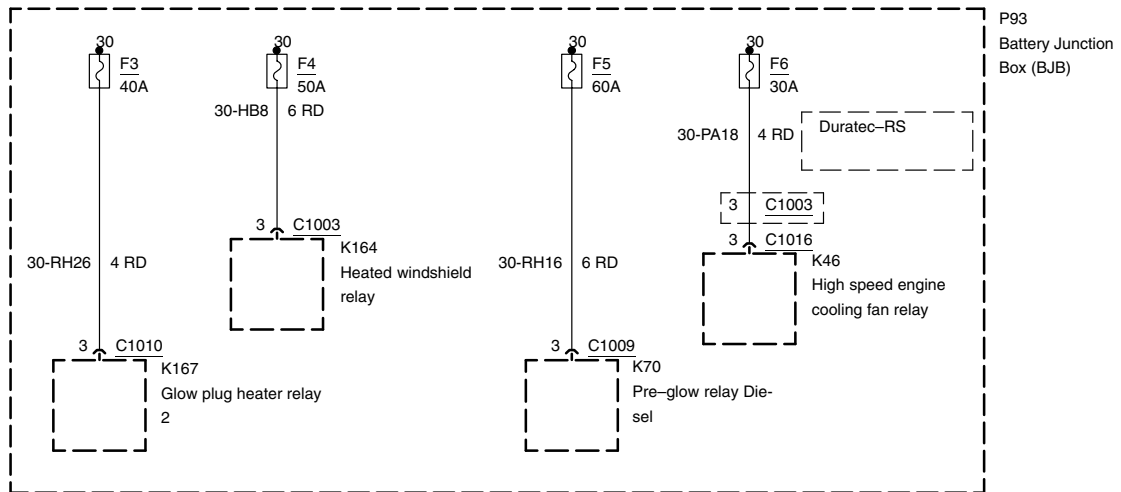
F1

-1



F3, F4, F5, F6

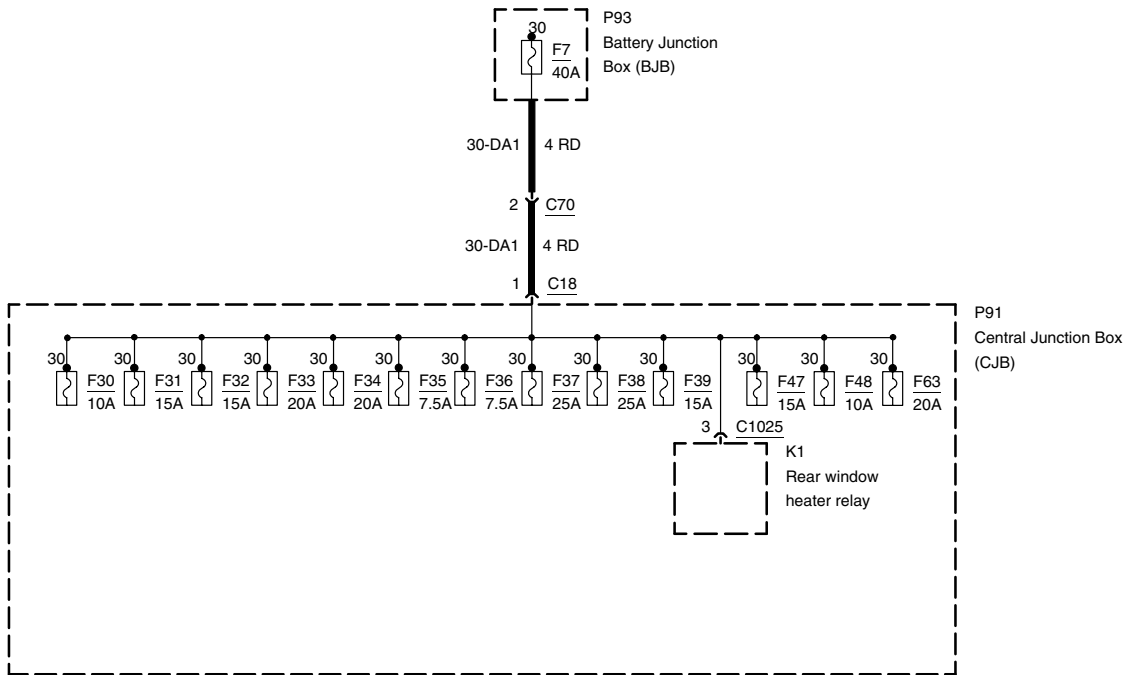
-2





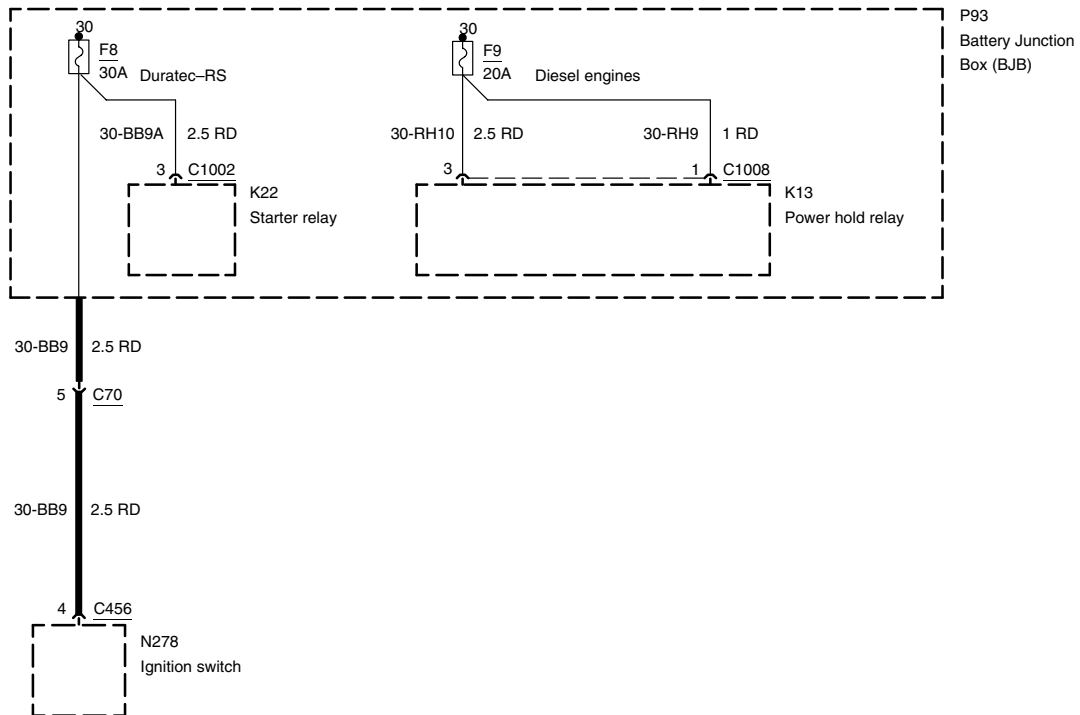
F7

-3



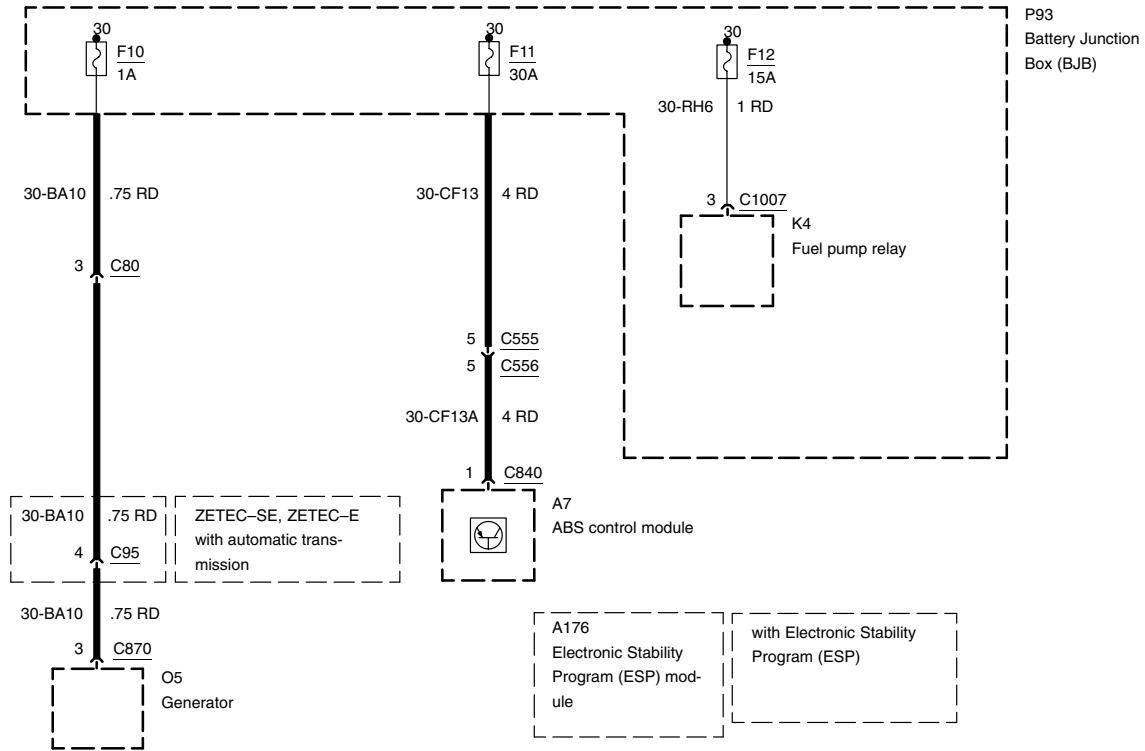
F8, F9

-4



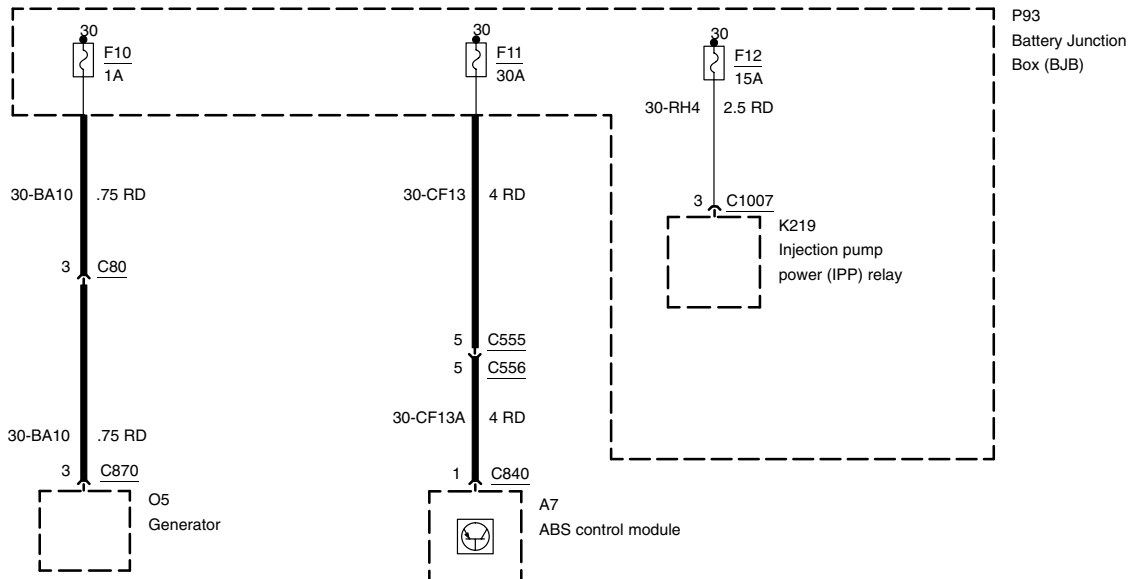
F10, F11, F12, Petrol engines

-5



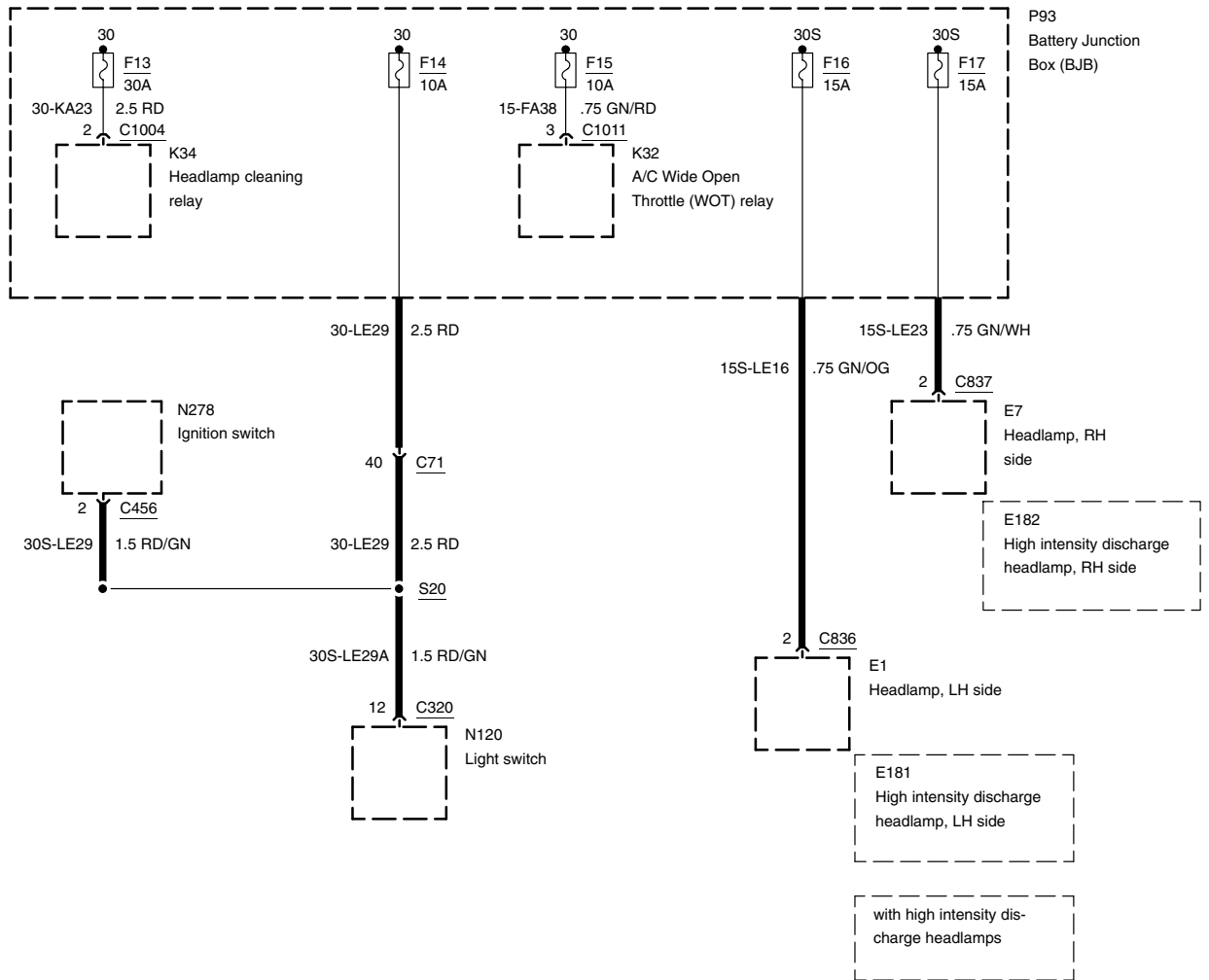
F10, F11, F12, Diesel engines

-6



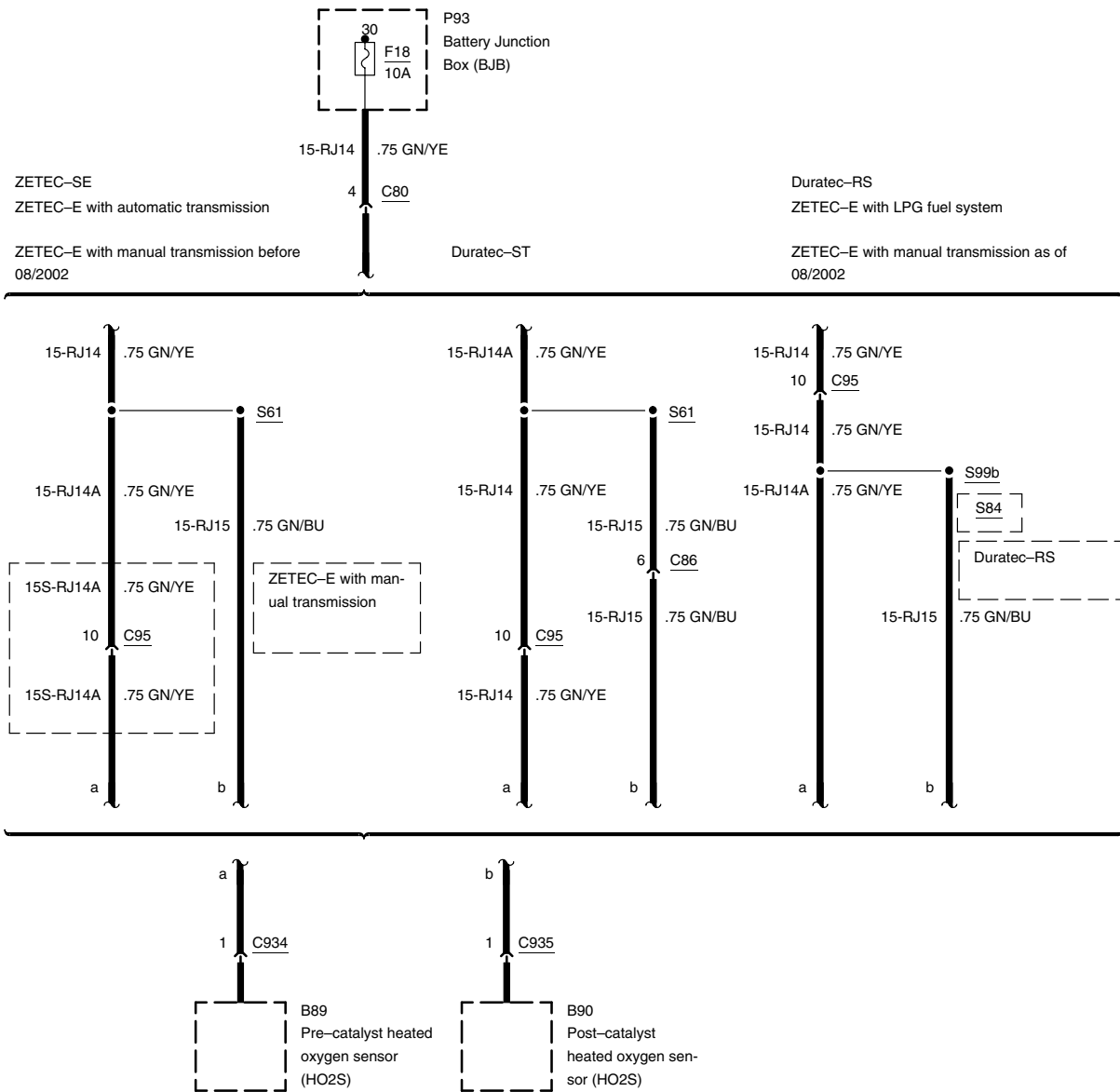
F13, F14, F15, F16, F17

-7



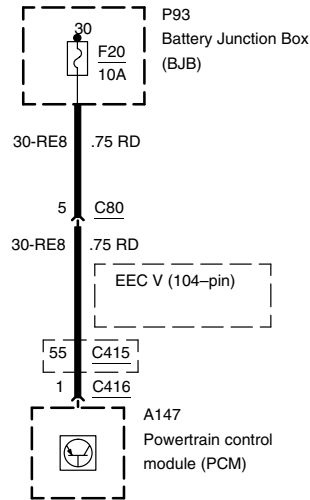
F18

-8



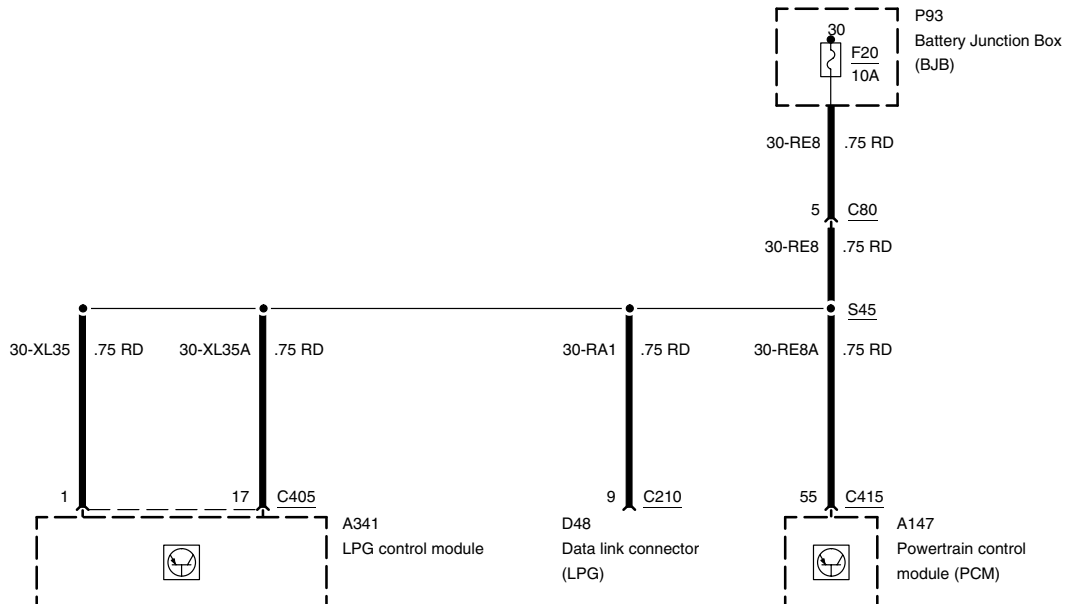
F20, without LPG fuel system

-9

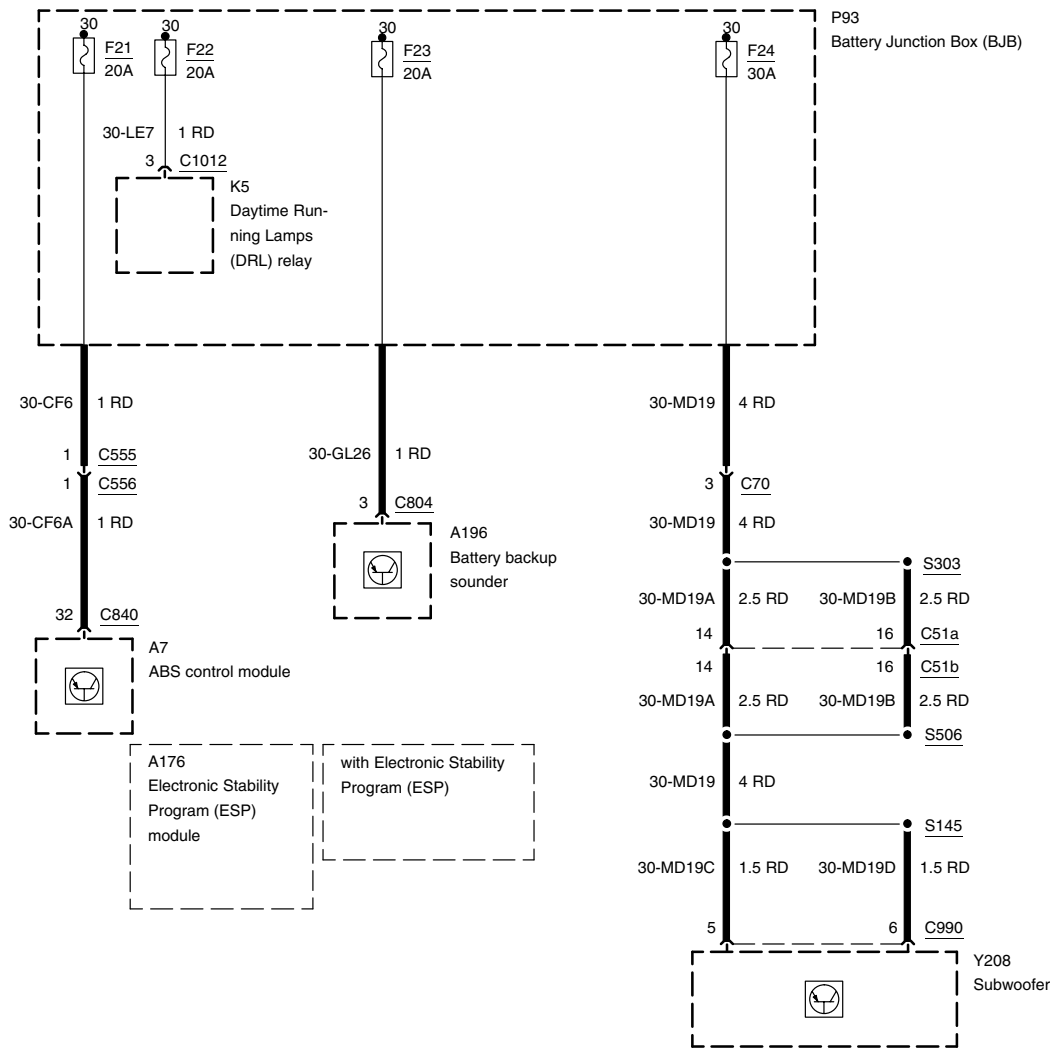


F20, with LPG fuel system

-10

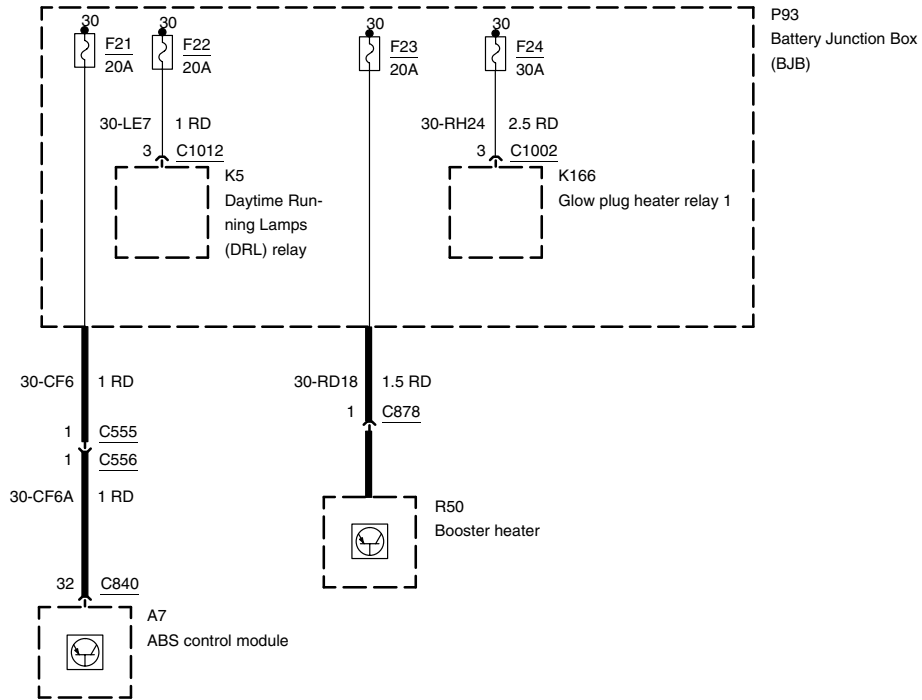


F21, F22, F23, F24, Petrol engines



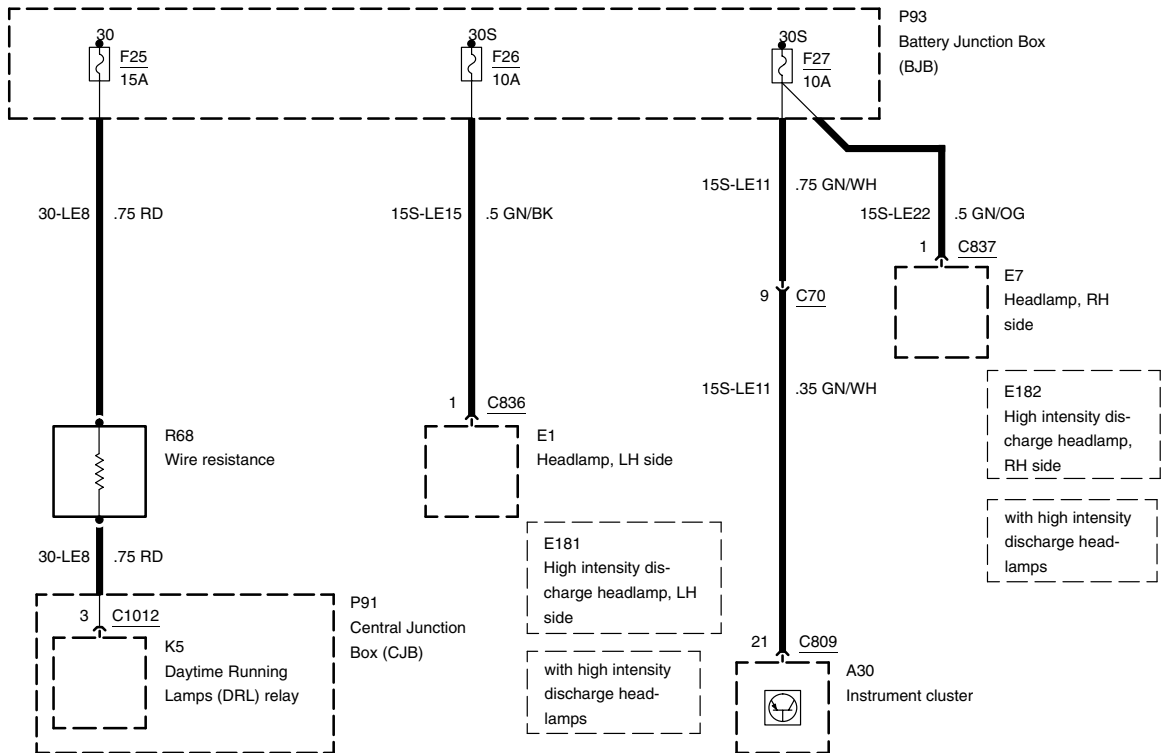
F21, F22, F23, F24, Diesel engines

-12



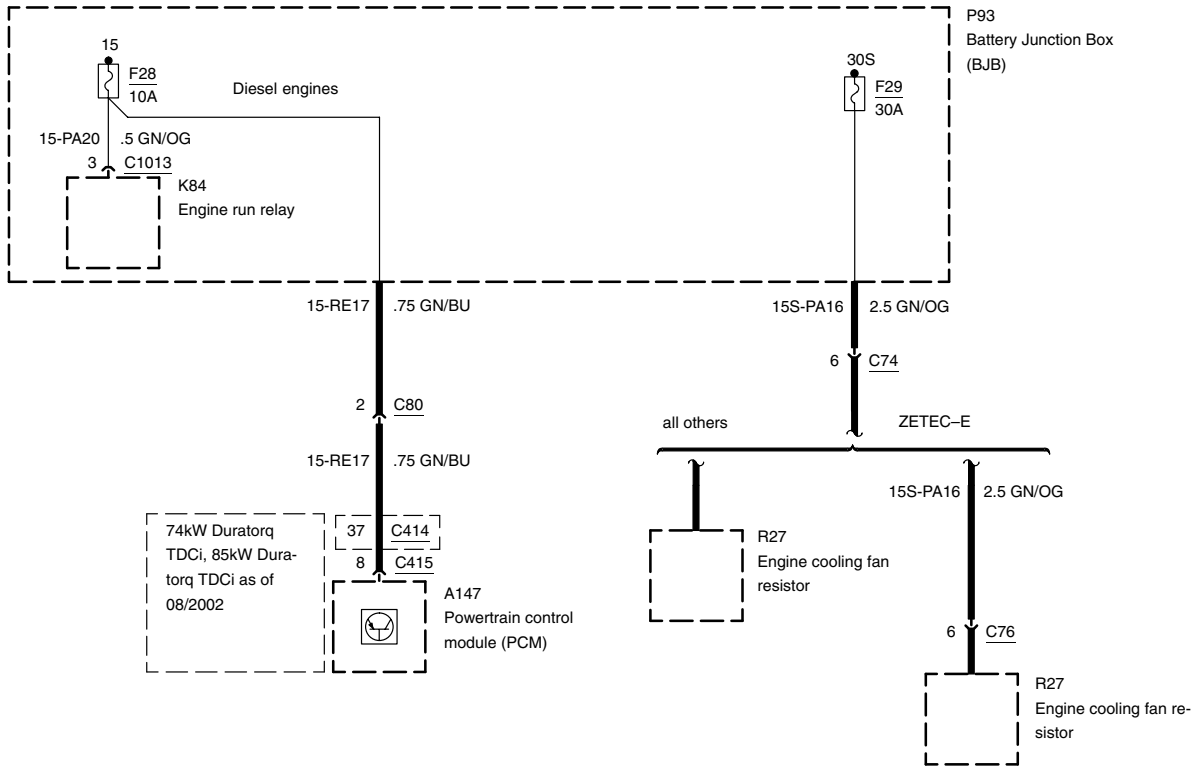
F25, F26, F27

-13



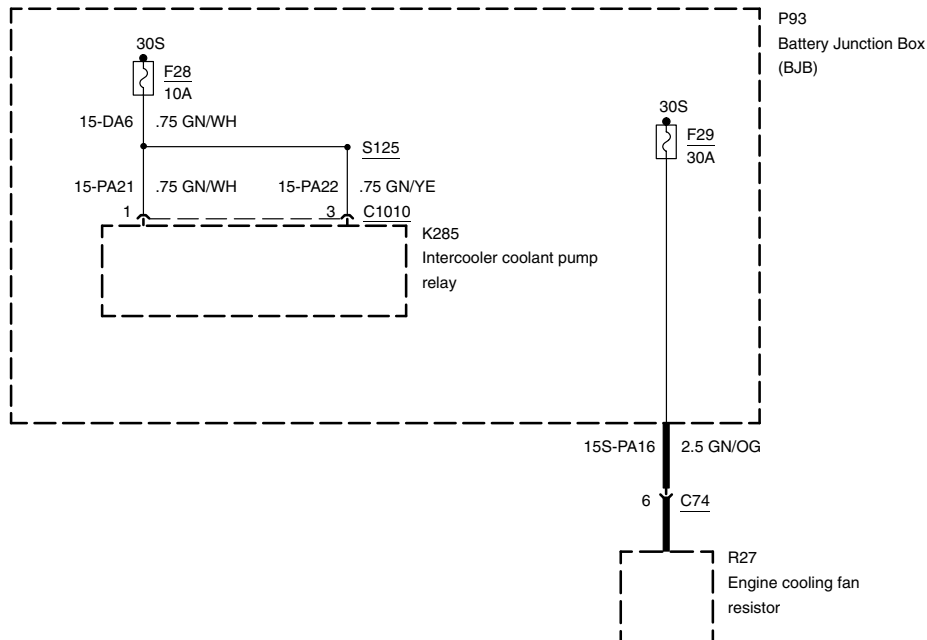
F28, F29, except Duratec-**RS**

-14



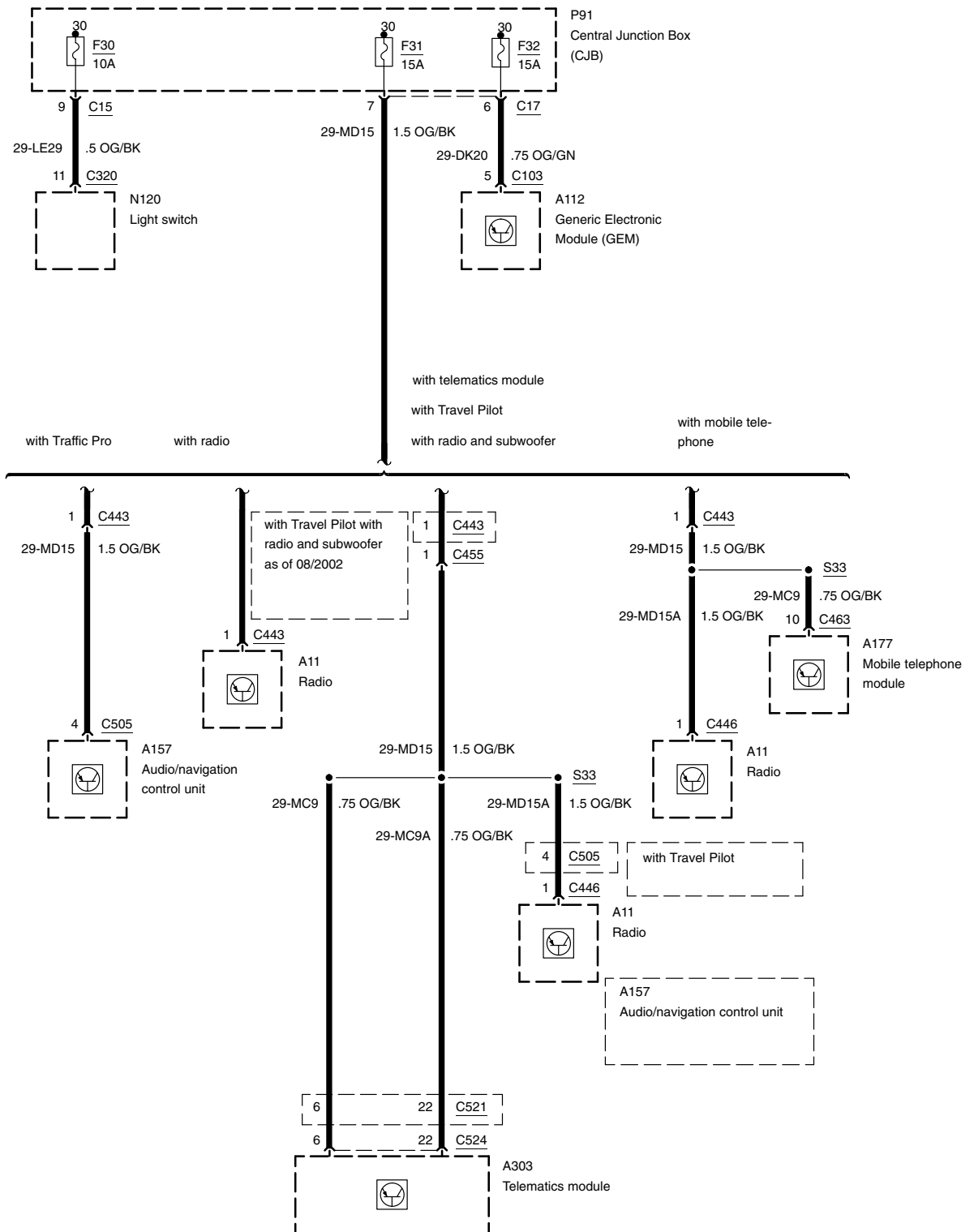
F28, F29, Duratec-**RS**

-15

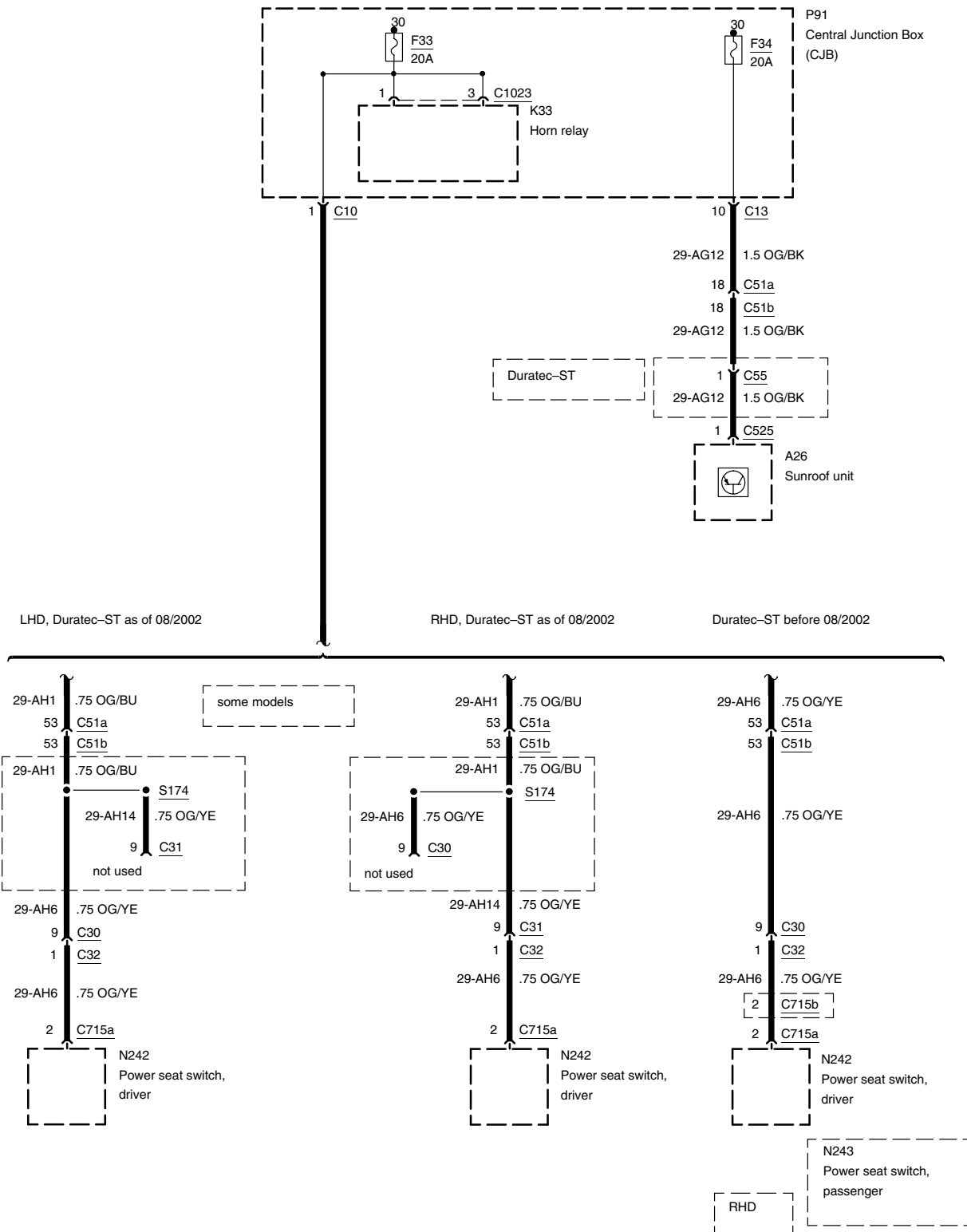




F30, F31, F32

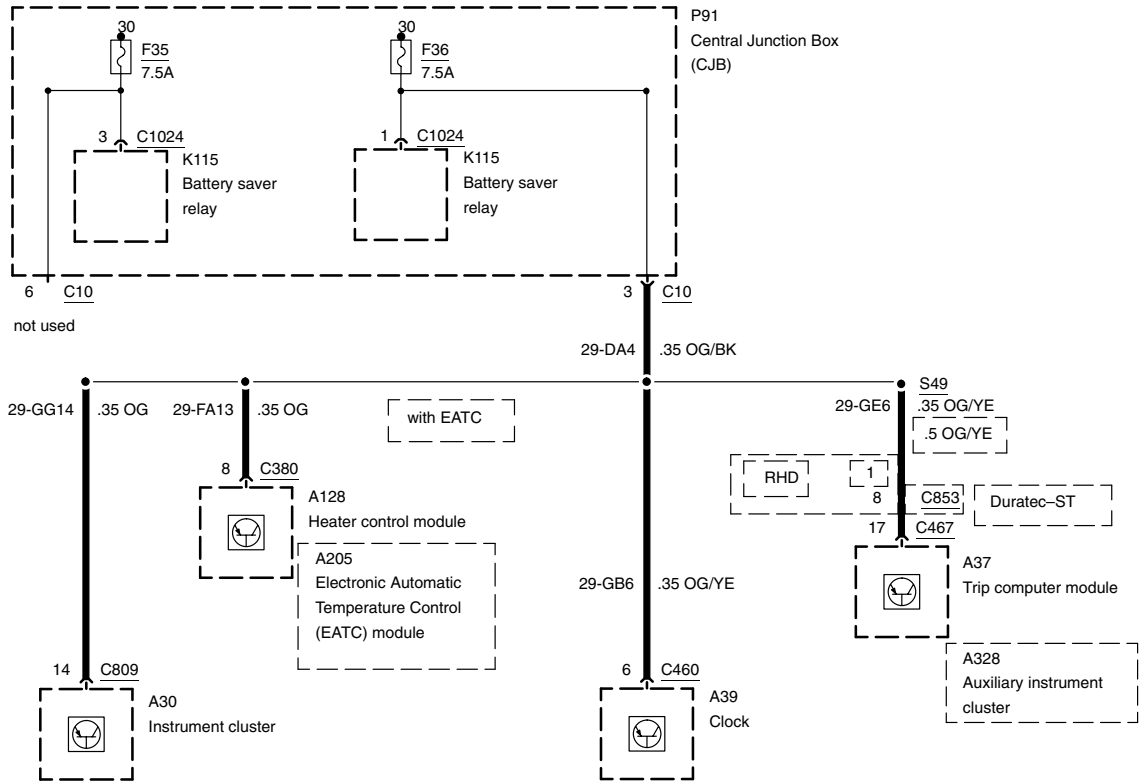


F33, F34



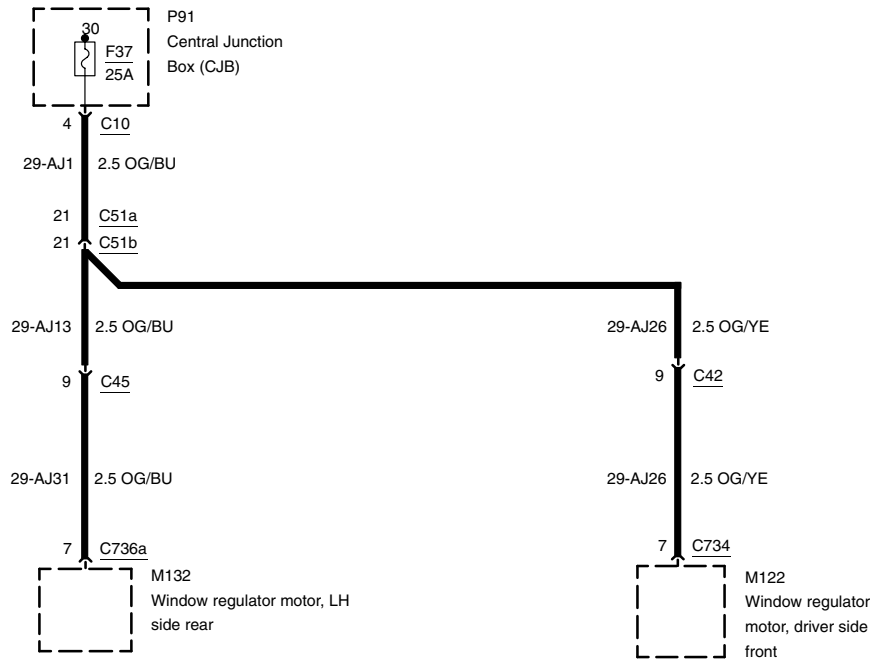
F35, F36

-18



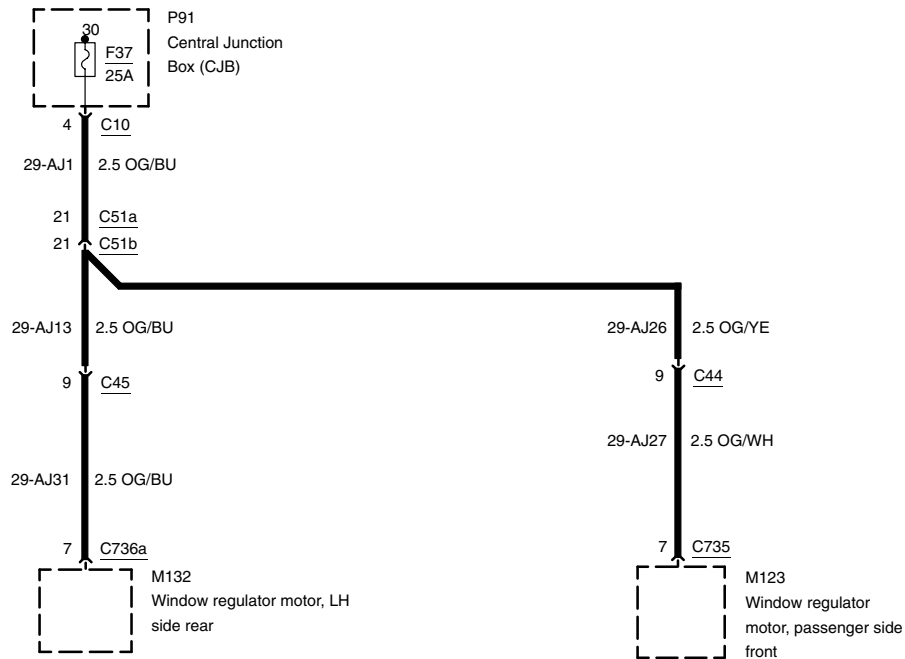
F37, LHD

-19



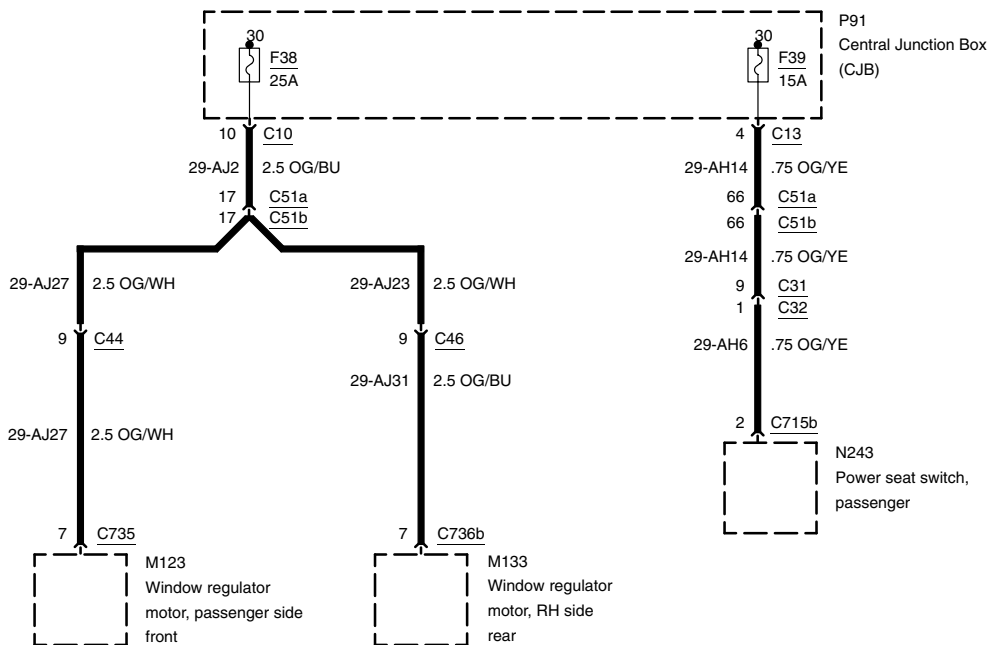
F37, RHD

-20

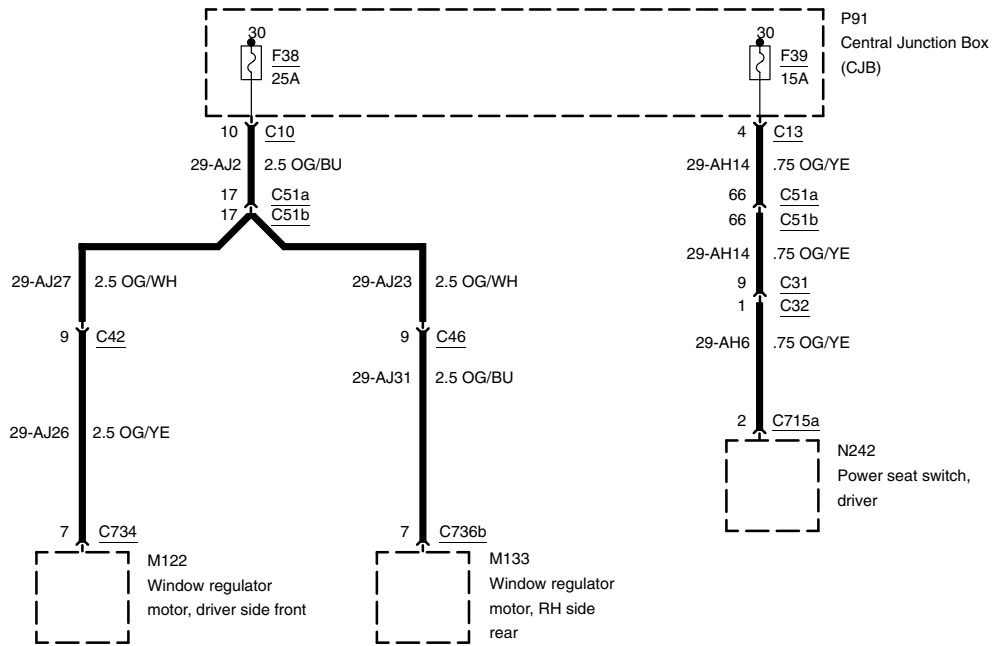


F38, F39, LHD

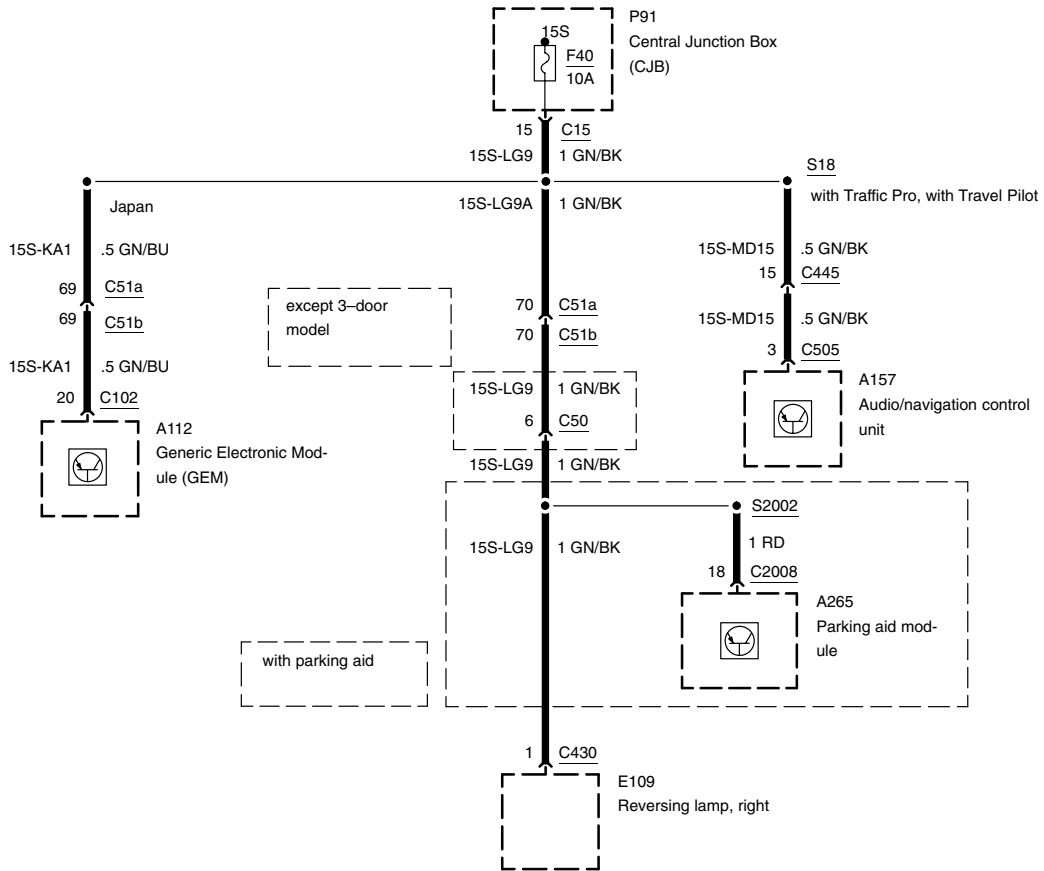
-21



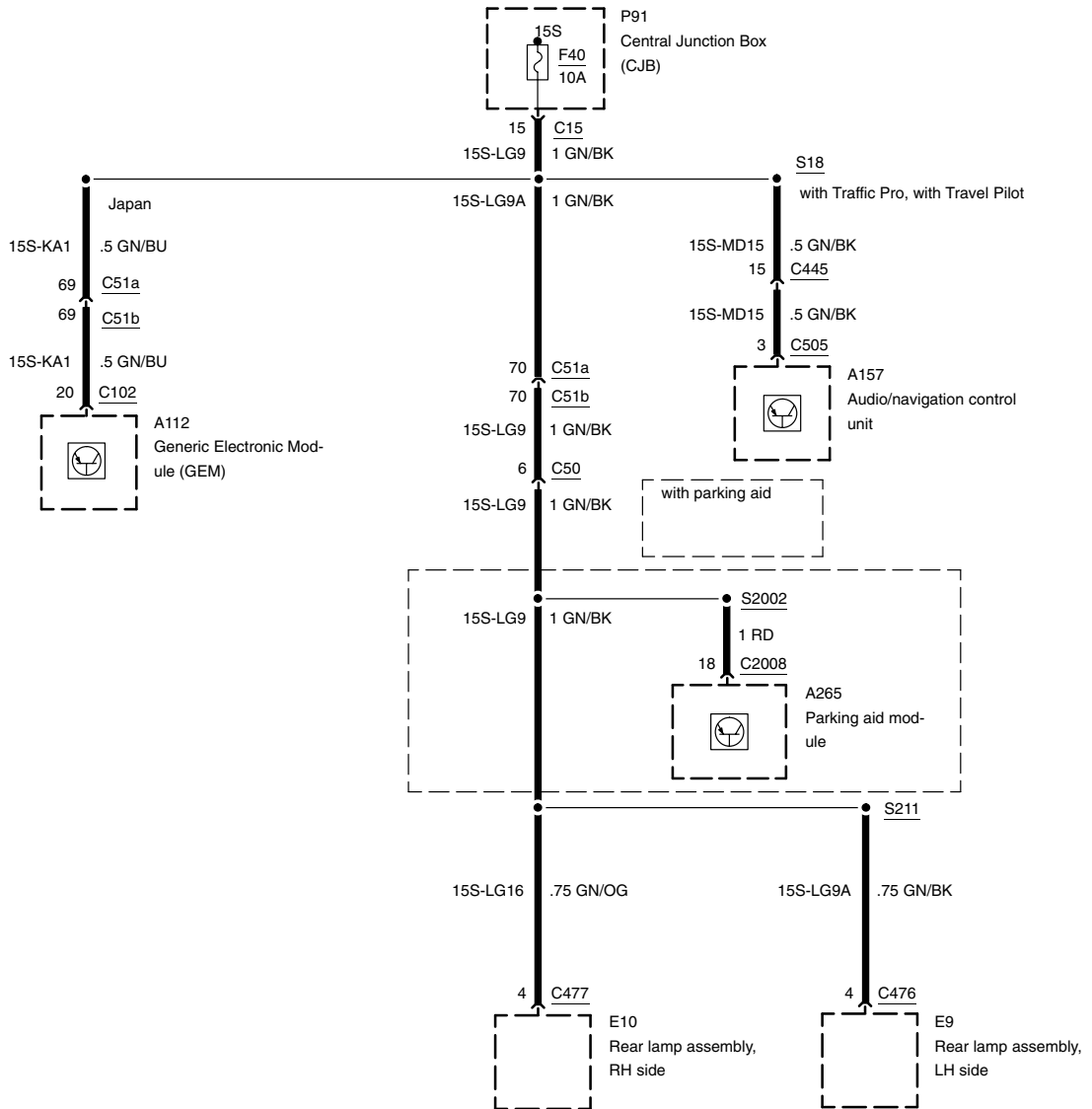
F38, F39, RHD



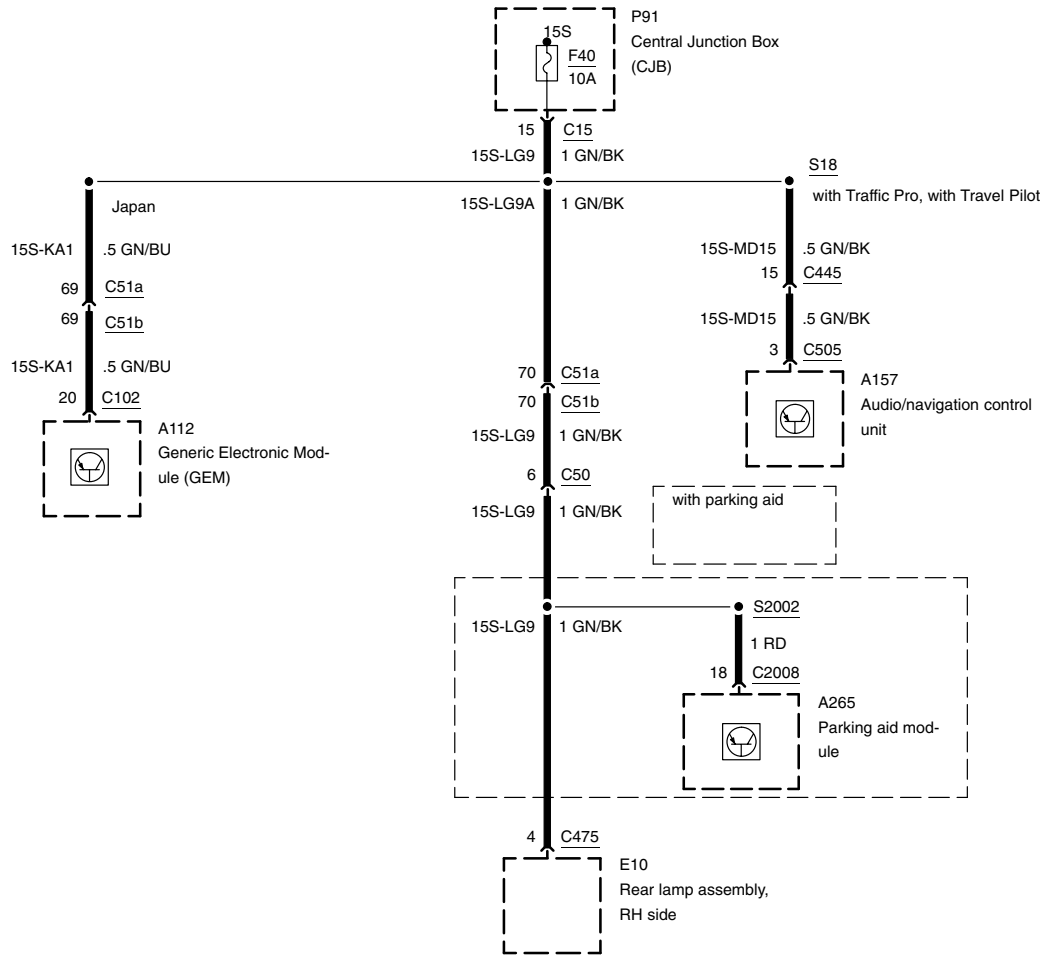
F40, 3-door model/5-door model, LHD



F40, 4-door model, LHD

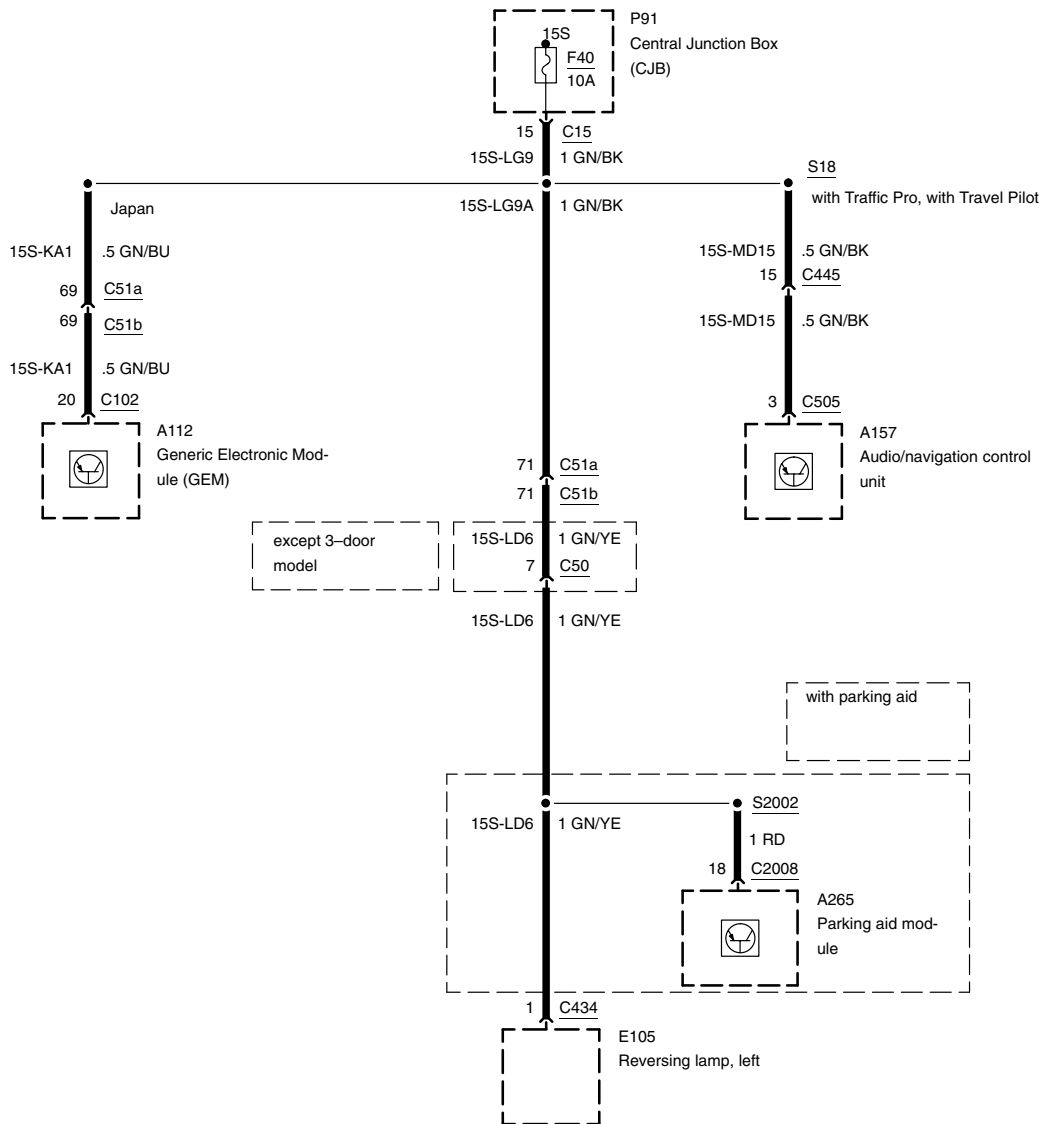


F40, wagon, LHD

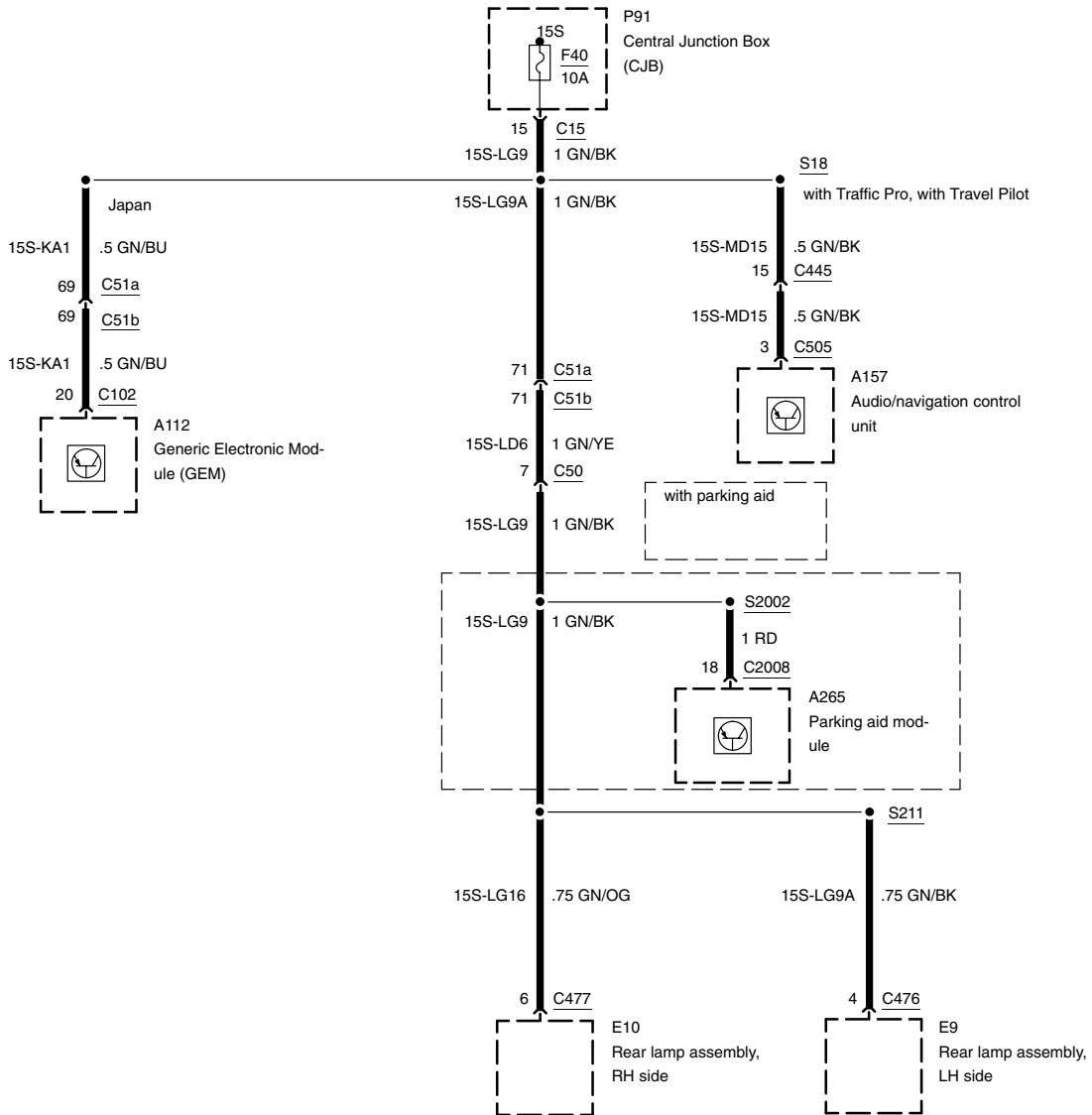




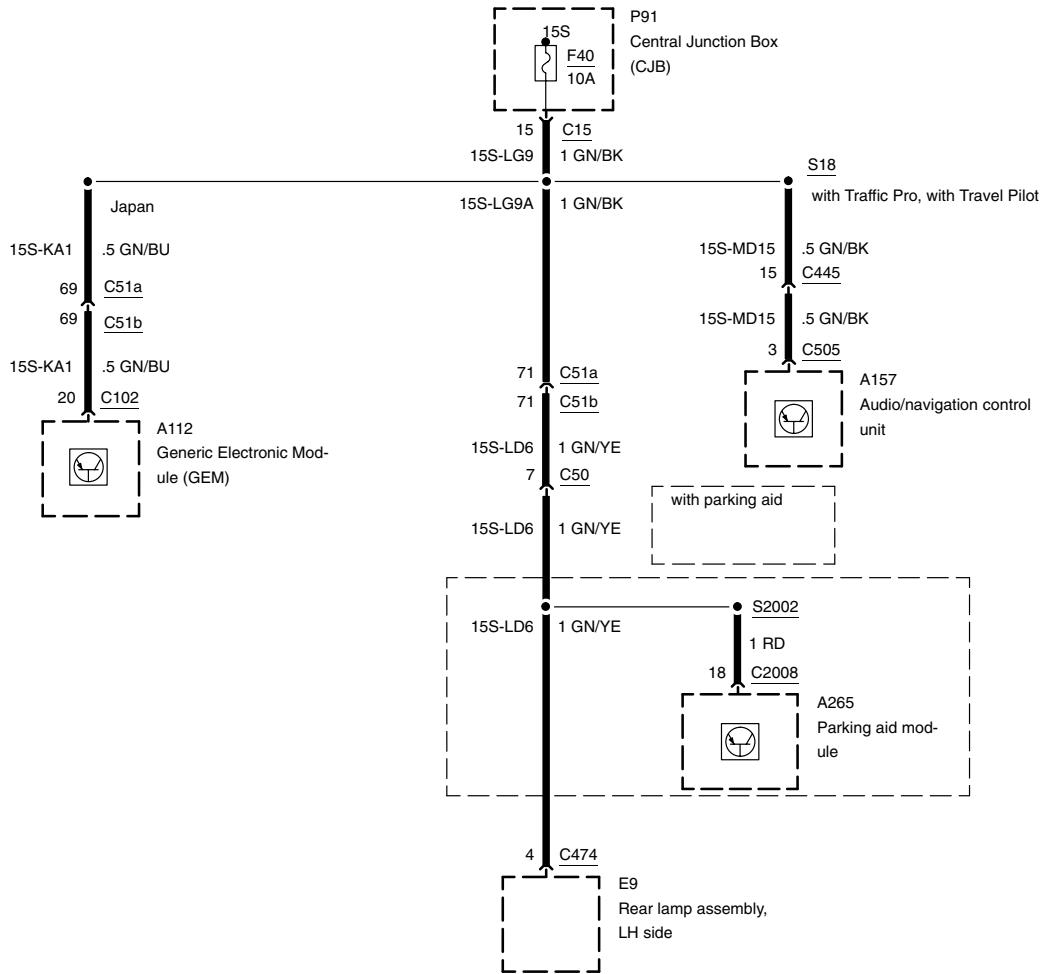
F40, 3-door model/5-door model, RHD



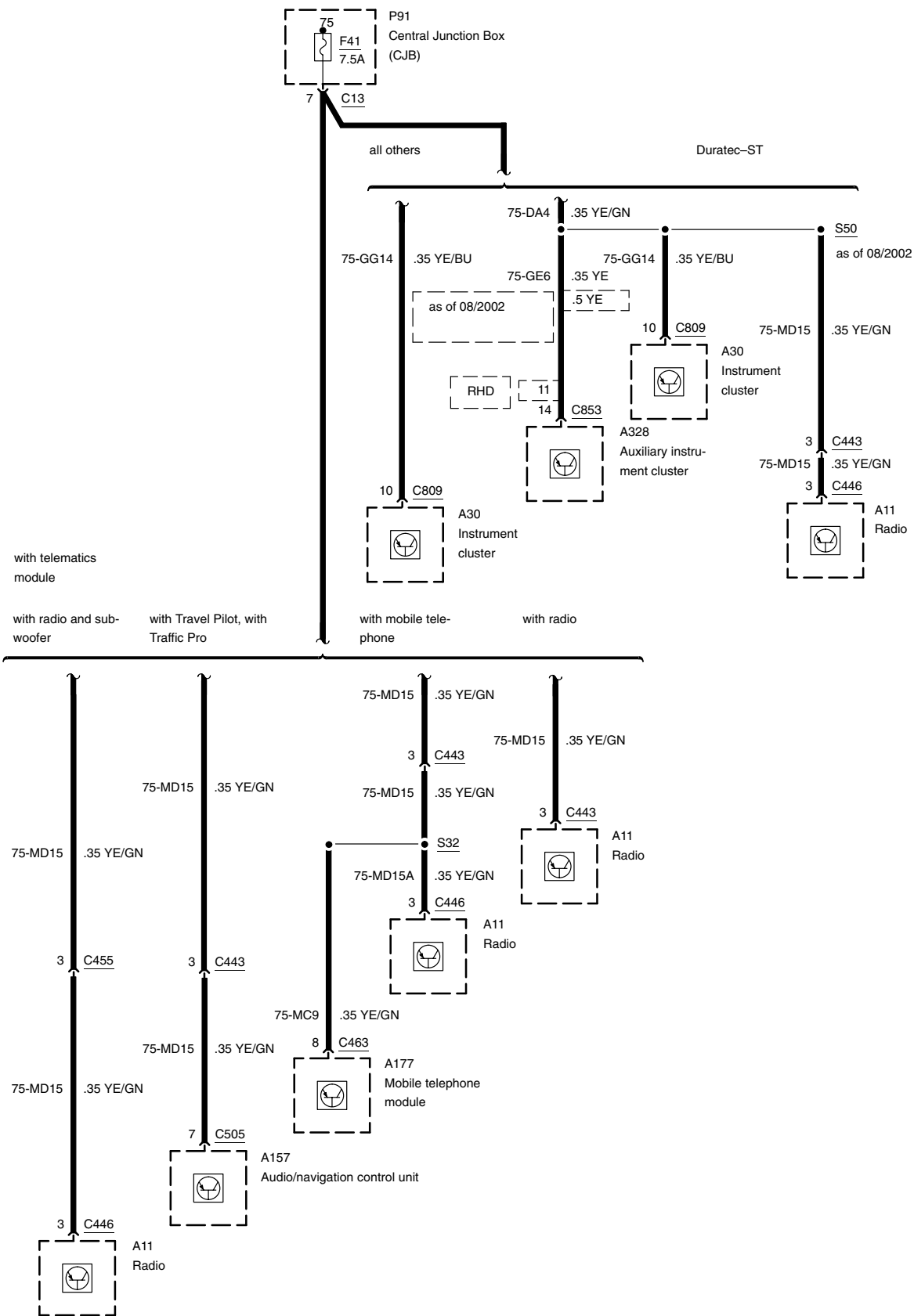
F40, 4-door model, RHD



F40, wagon, RHD

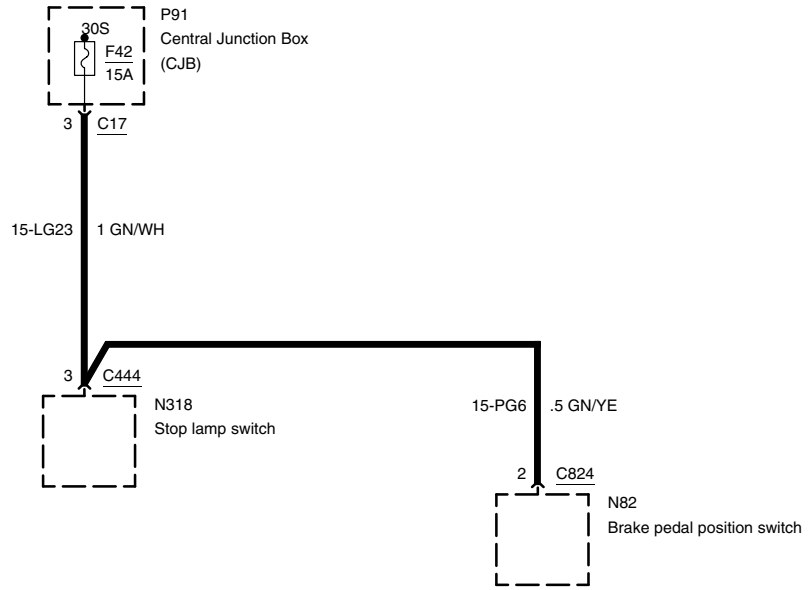


F41

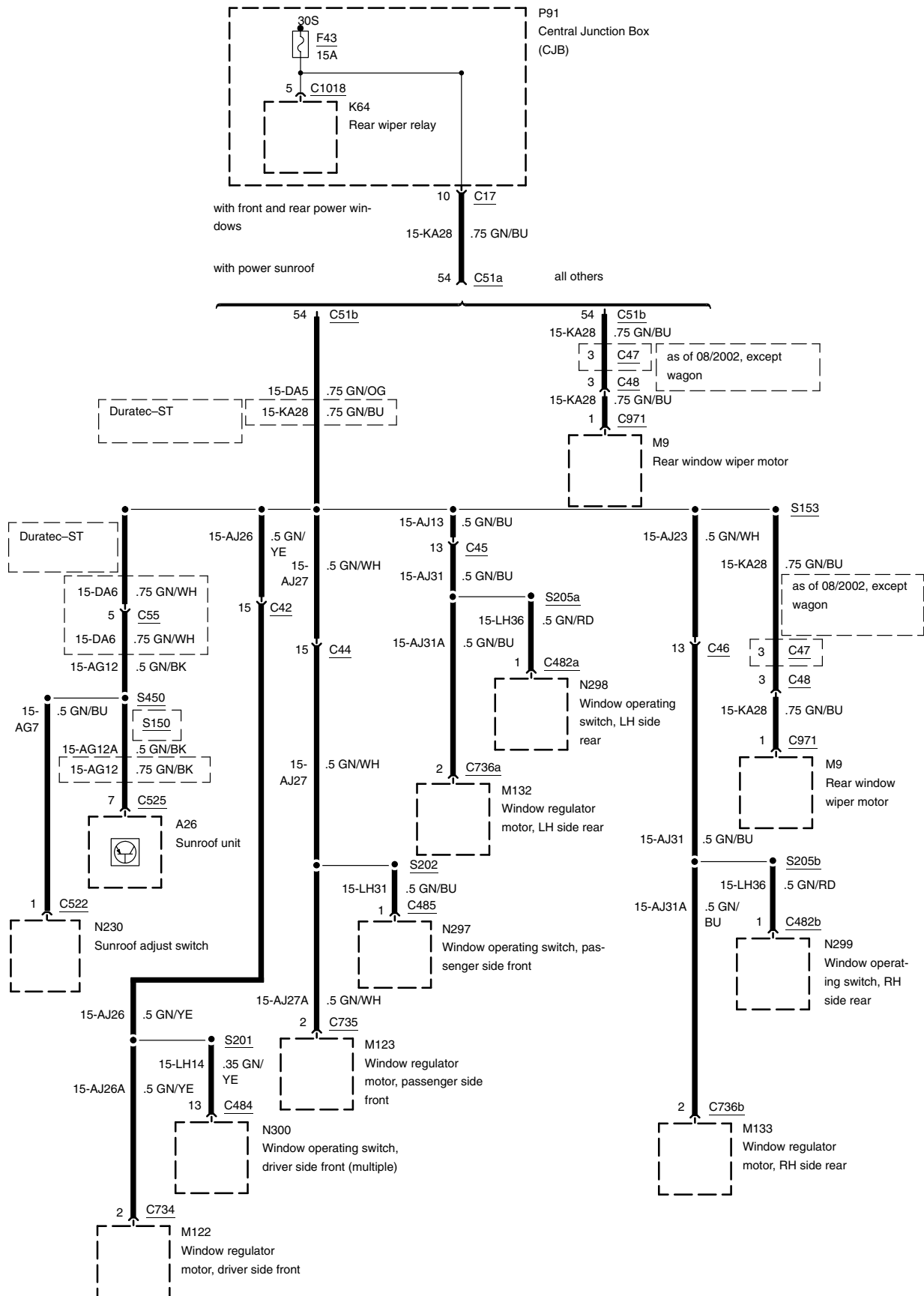


F42

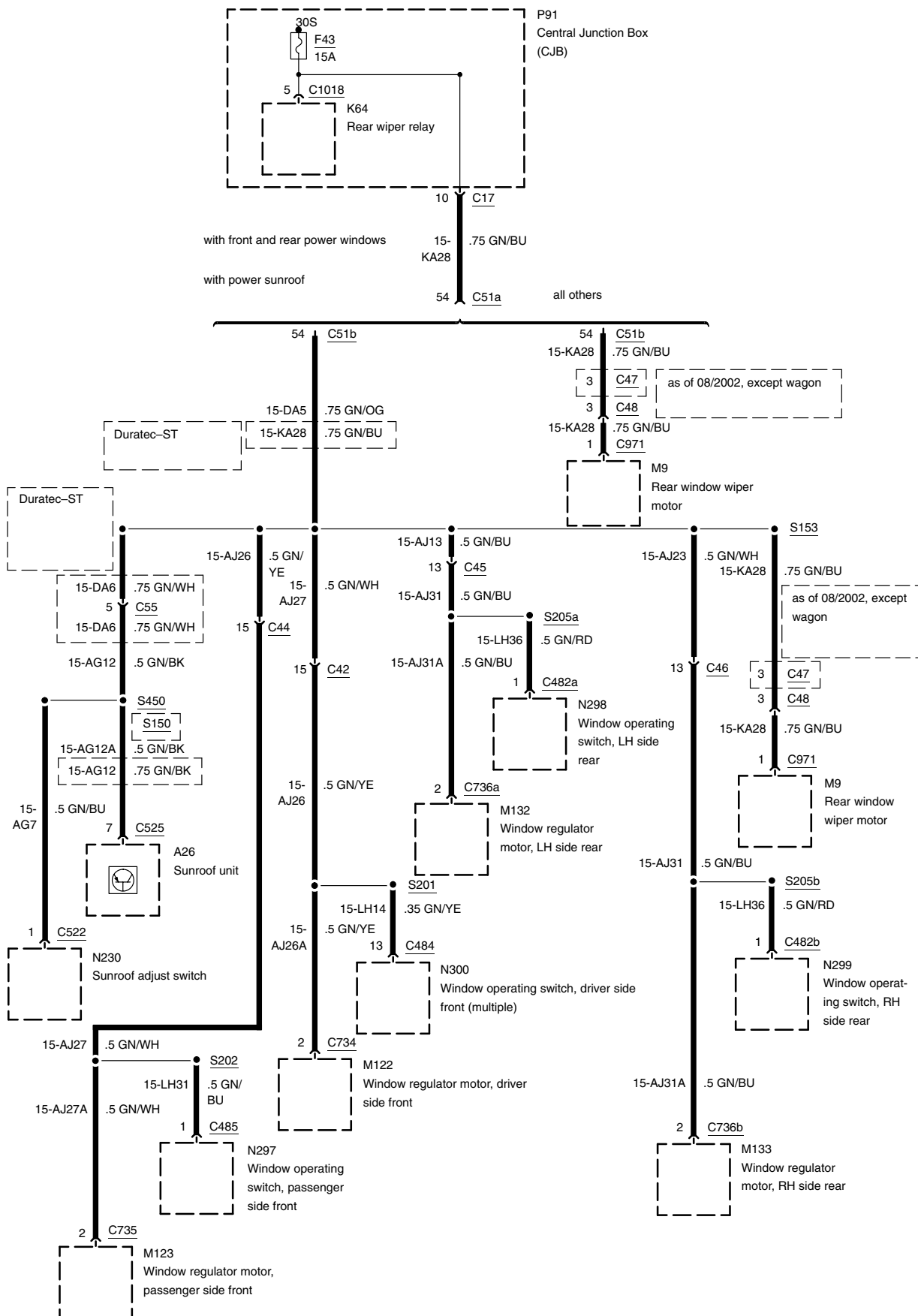
-30



F43, LHD

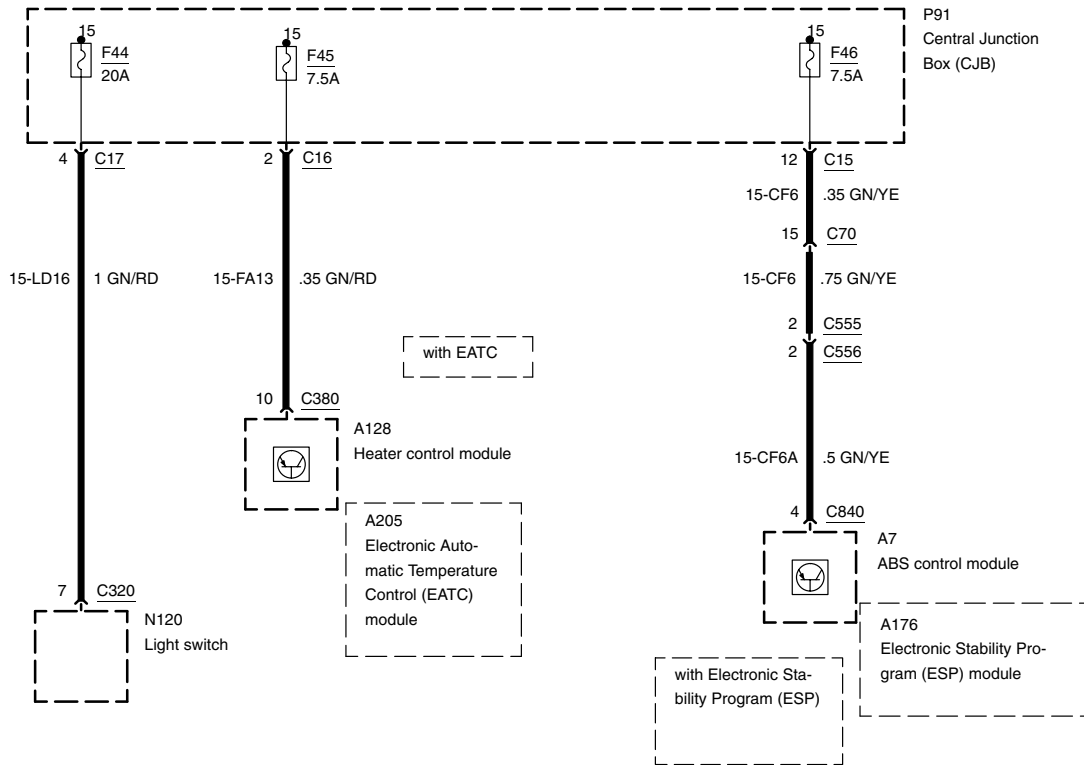


F43, RHD



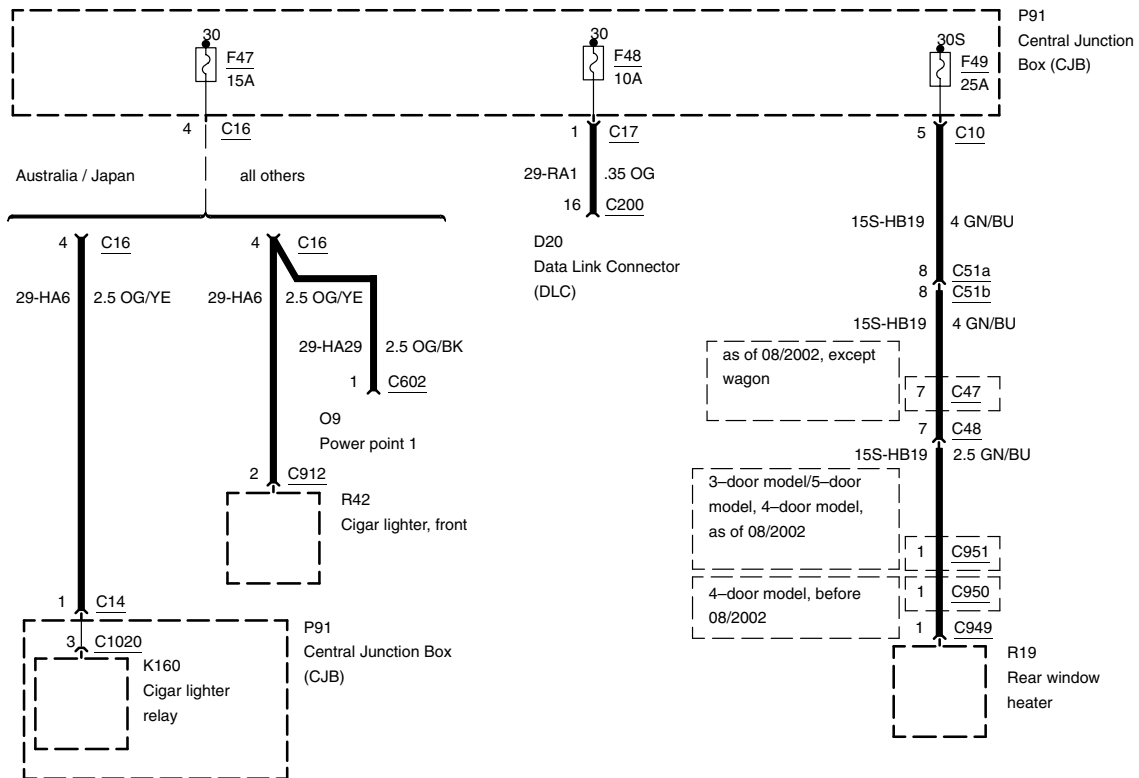
F44, F45, F46

-33



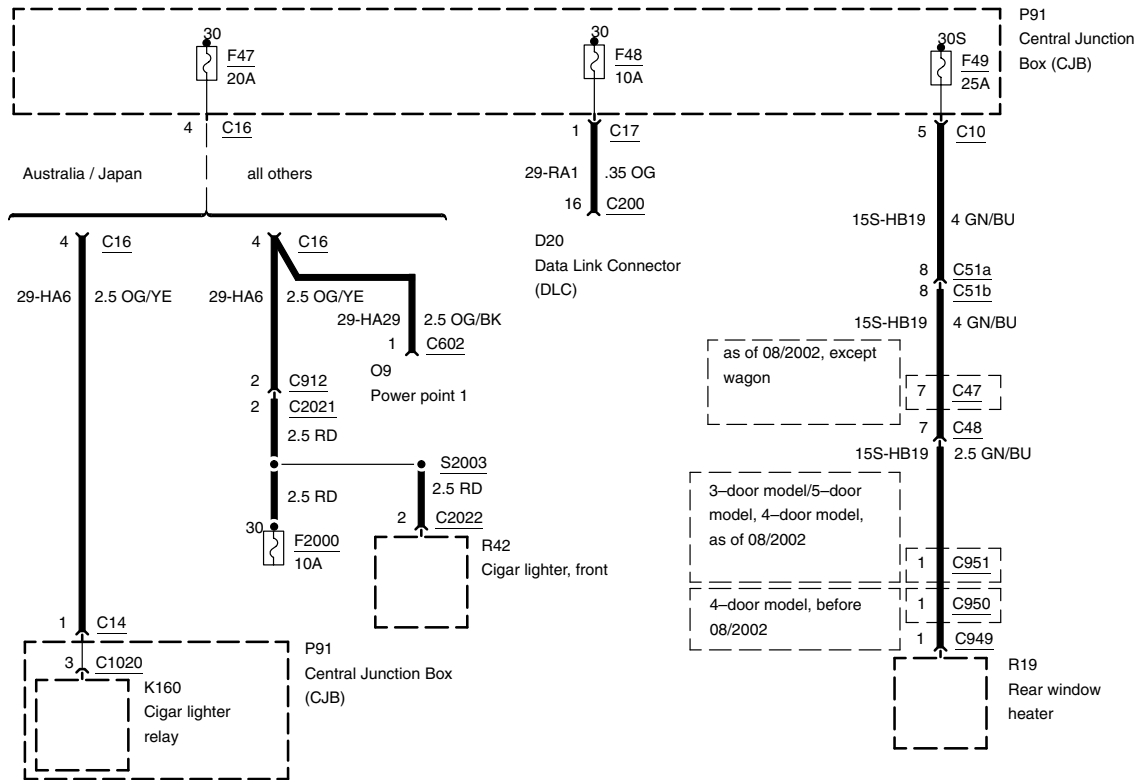
F47, F48, F49, without trailer socket

-34

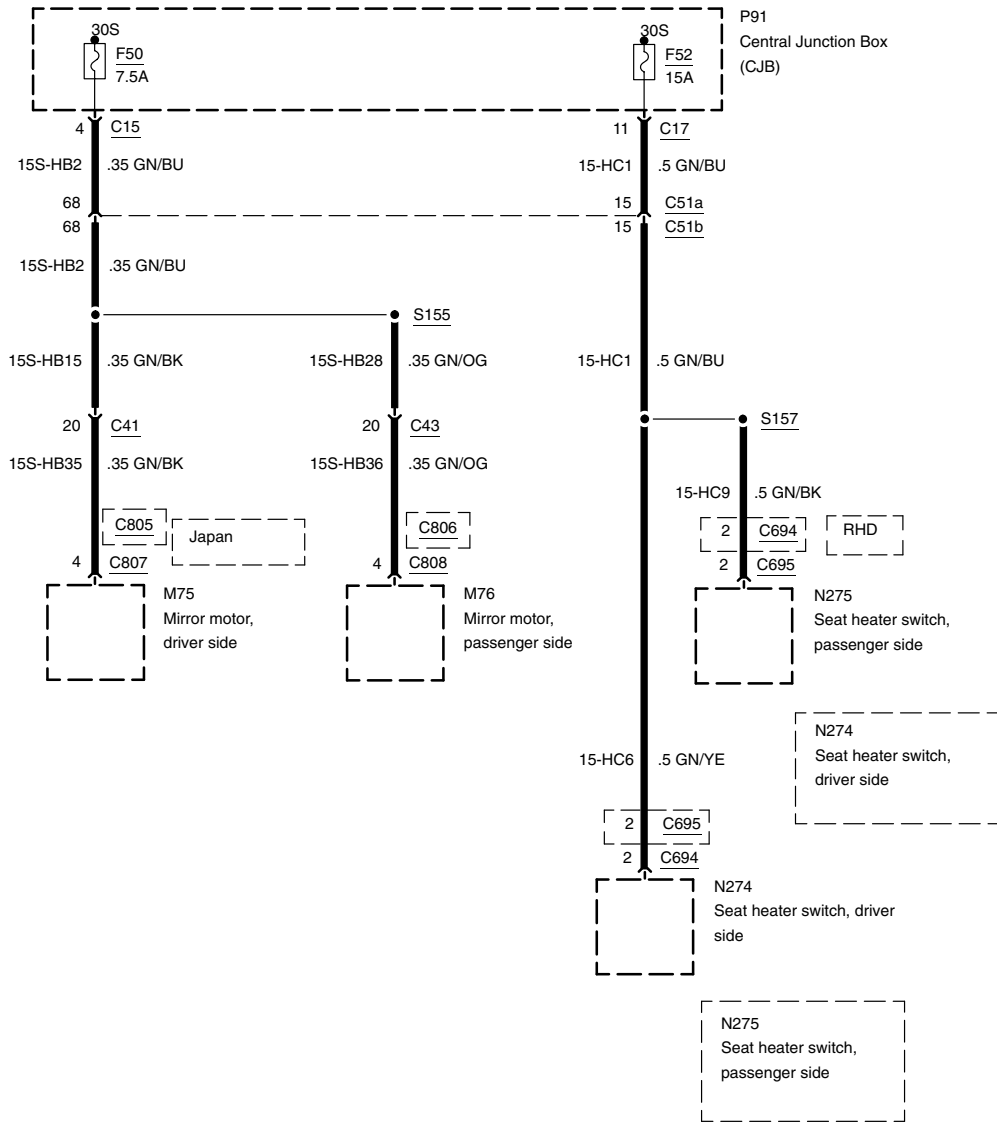




F47, F48, F49, with trailer socket

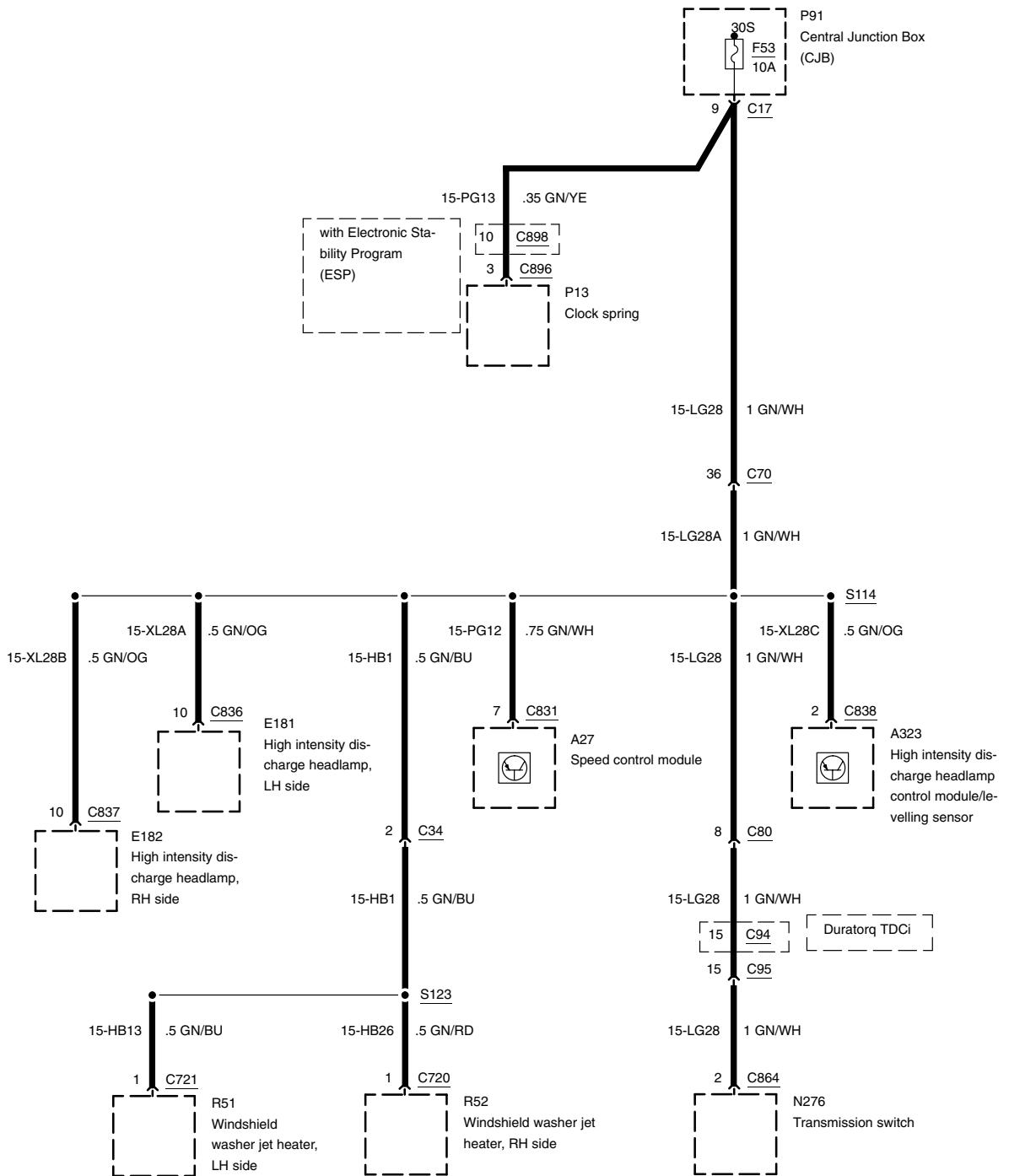


F50, F51, F52



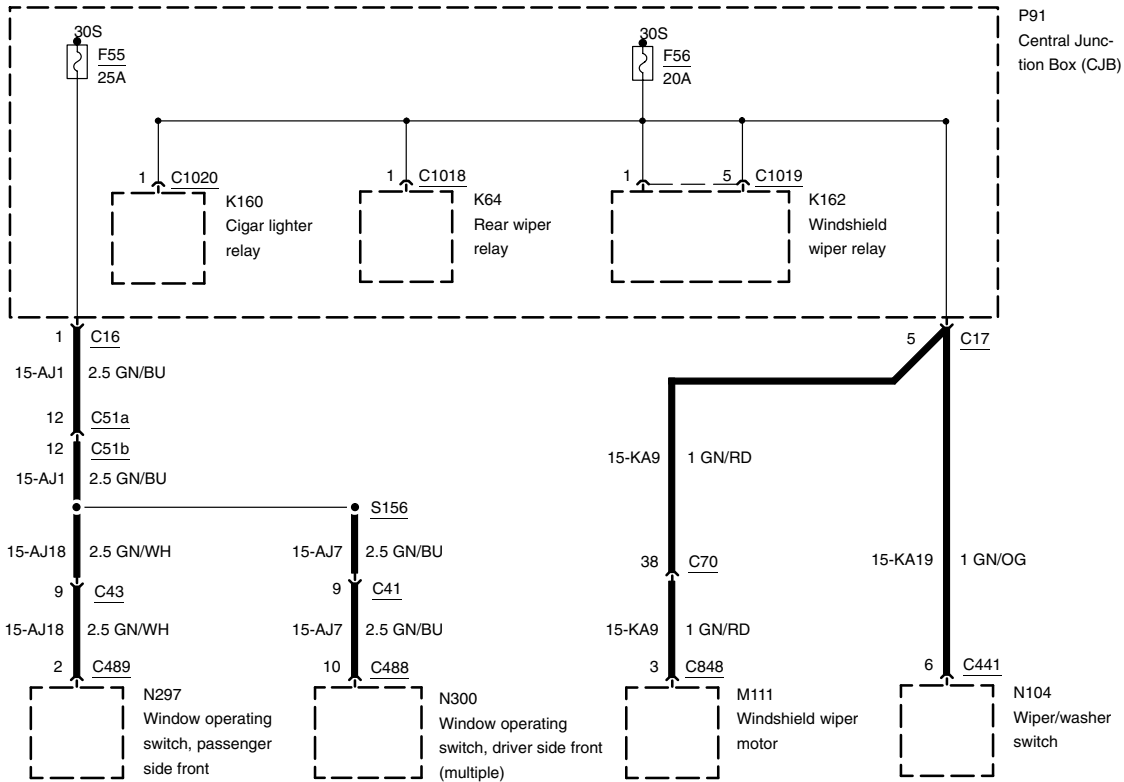
F53

-37



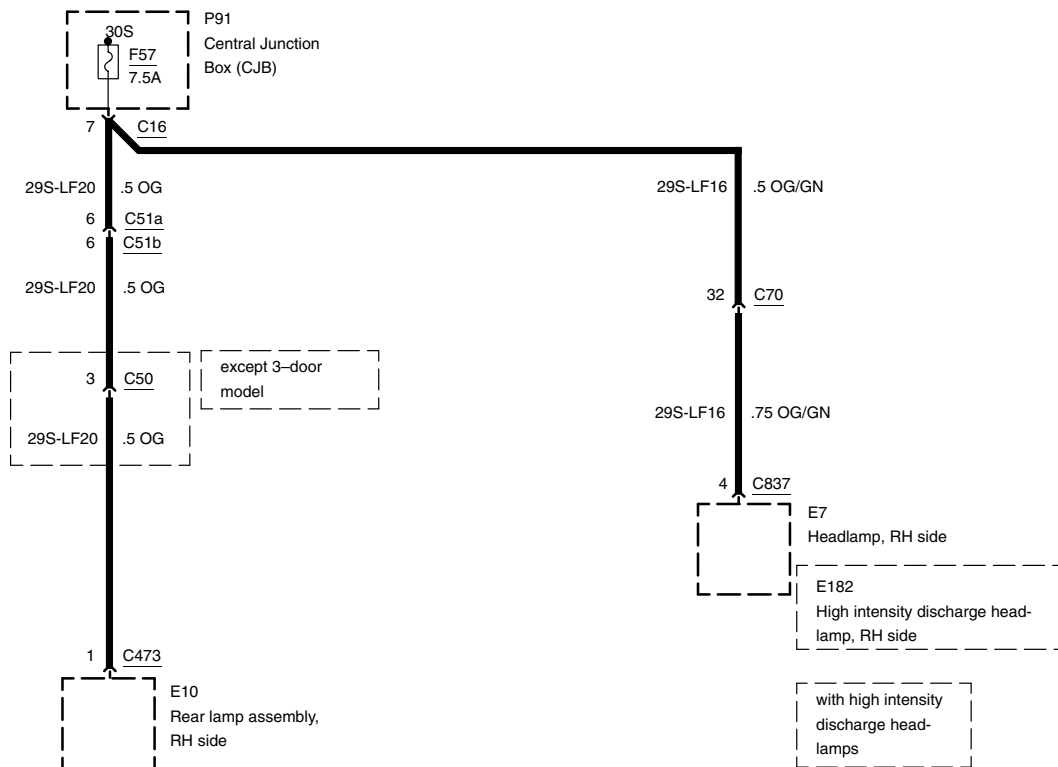
F55, F56

-38



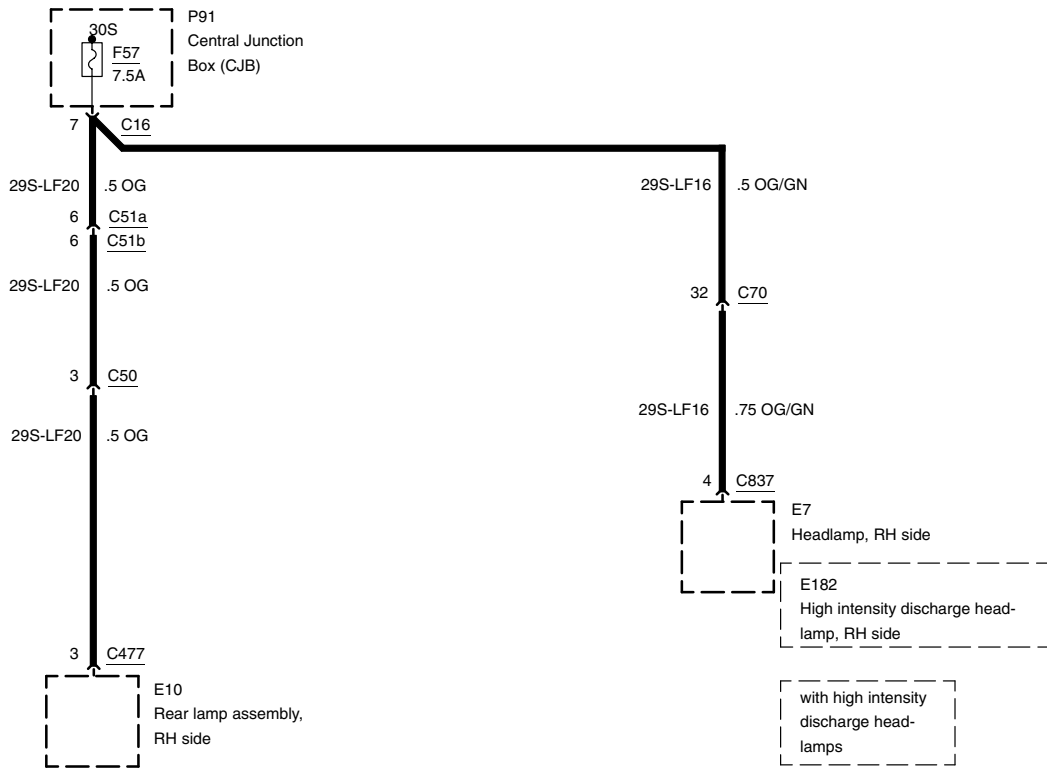
F57, 3-door model/5-door model

-39



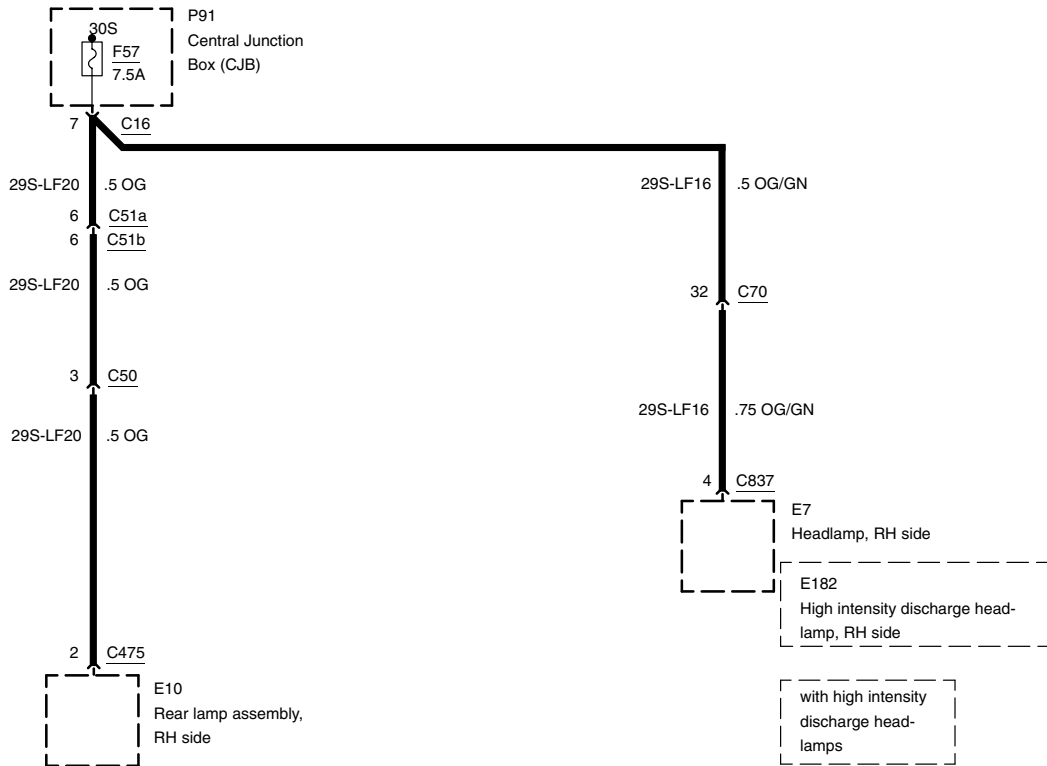
F57, 4-door model

-40



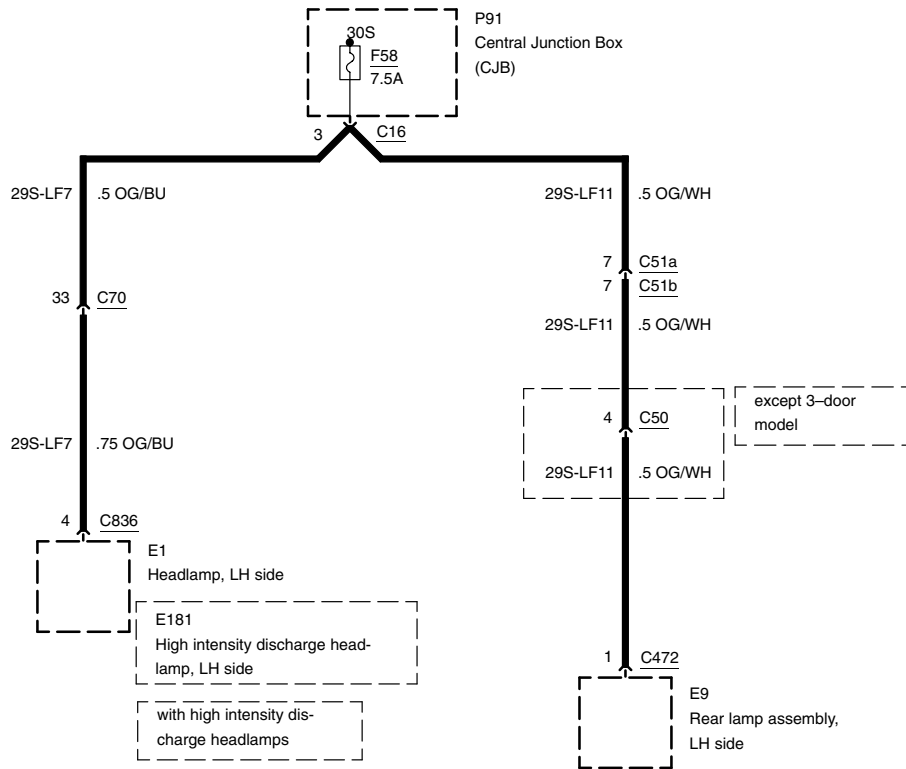
F57, wagon

-41



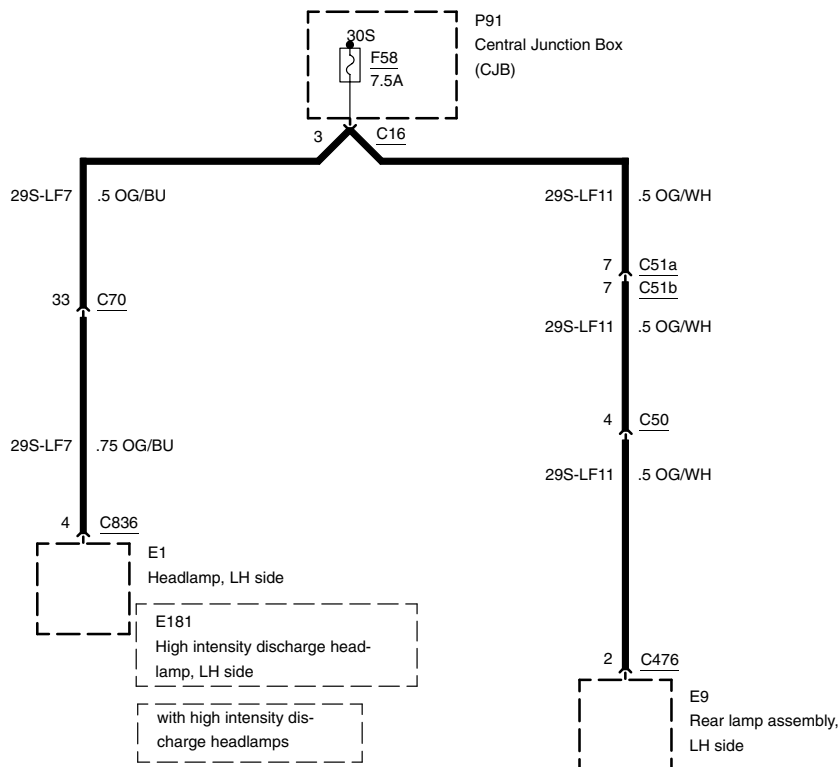
F58, 3-door model/5-door model

-42



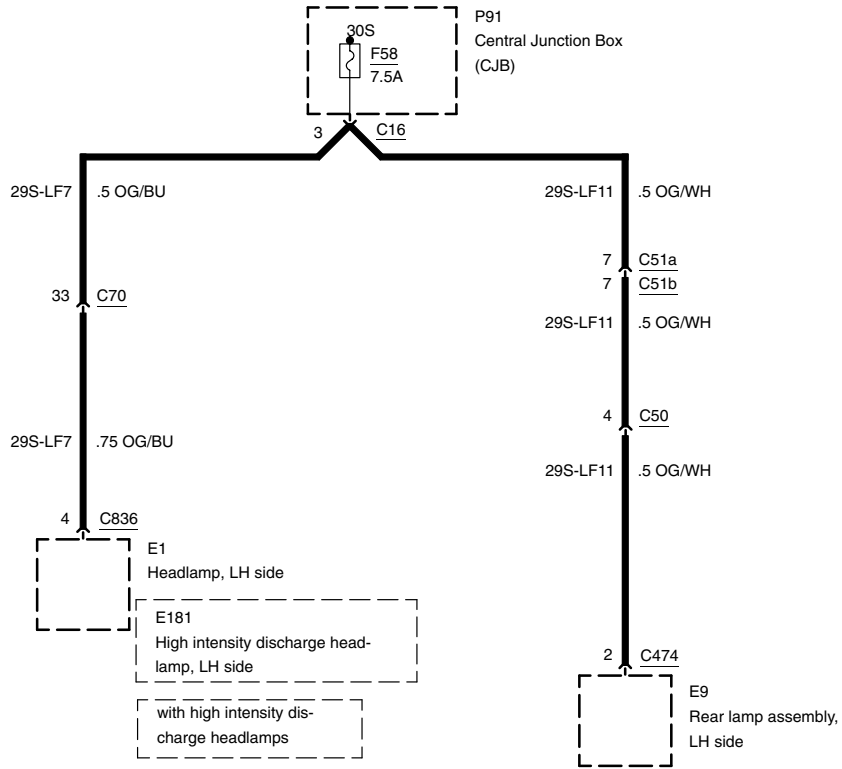
F58, 4-door model

-43



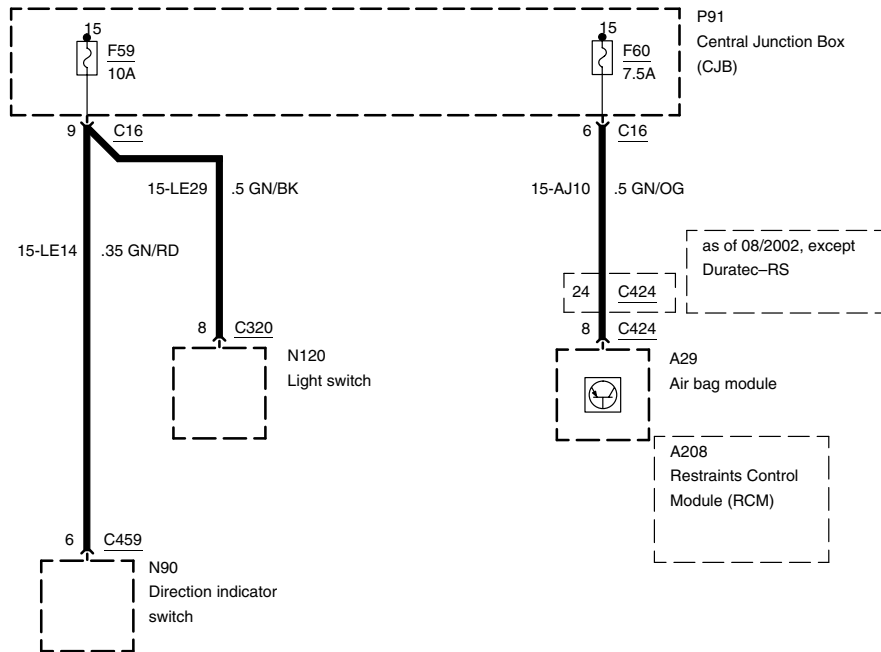
F58, wagon

-44

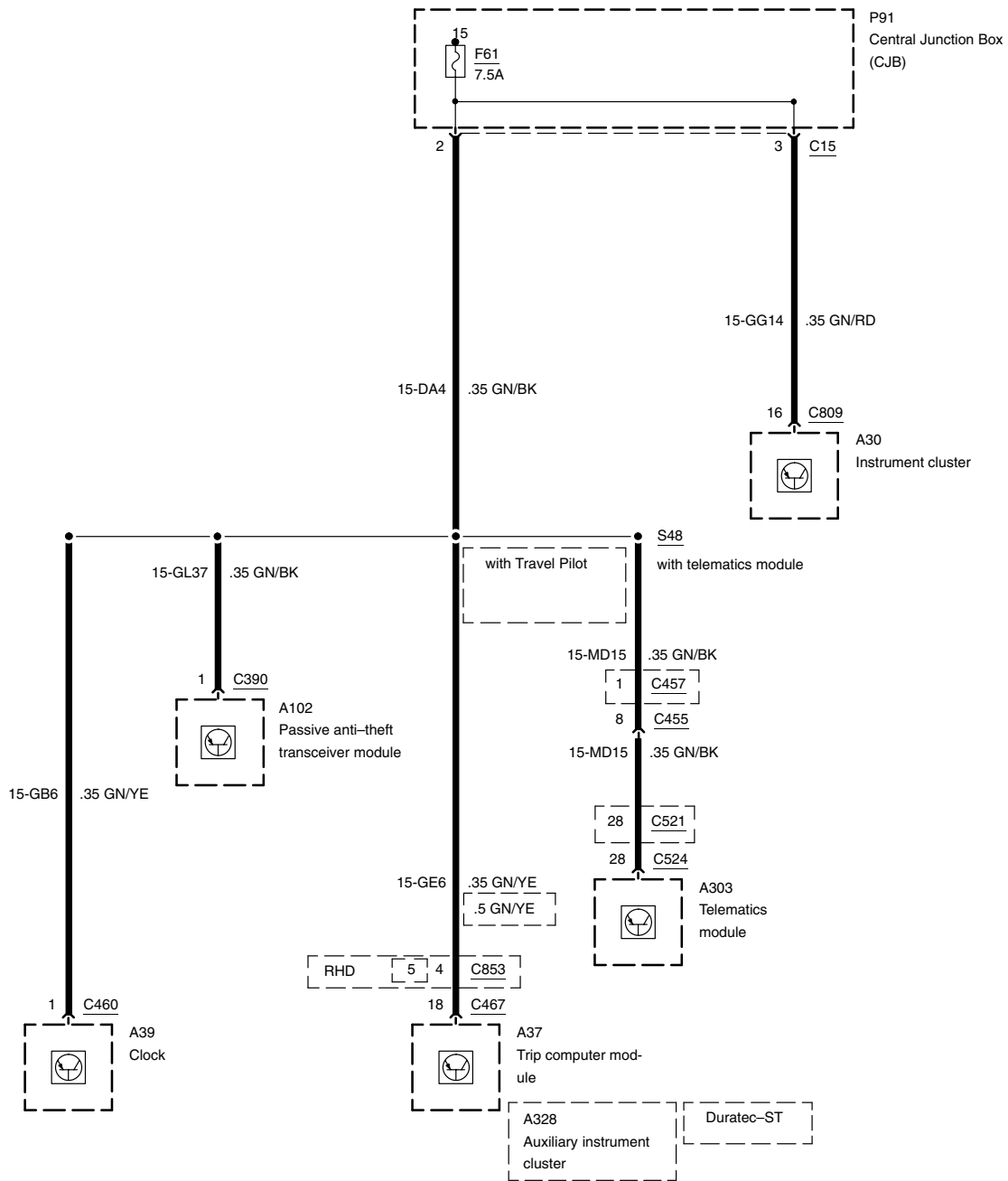


F59, F60

-45



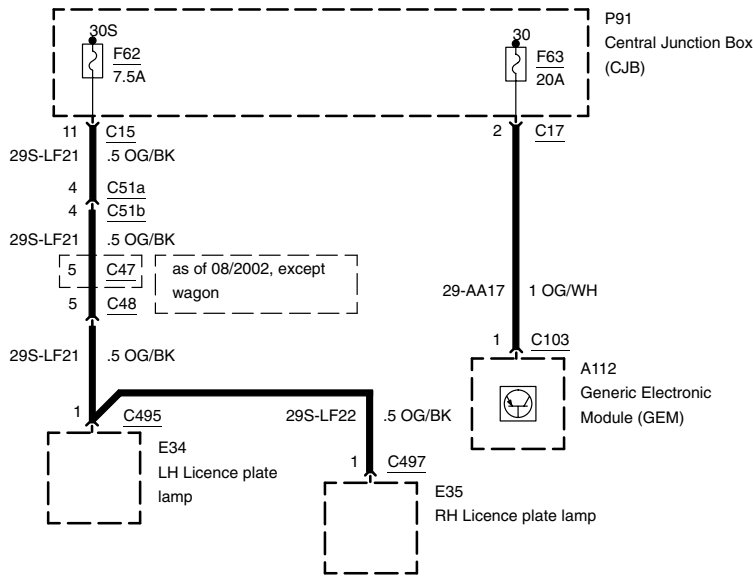
F61





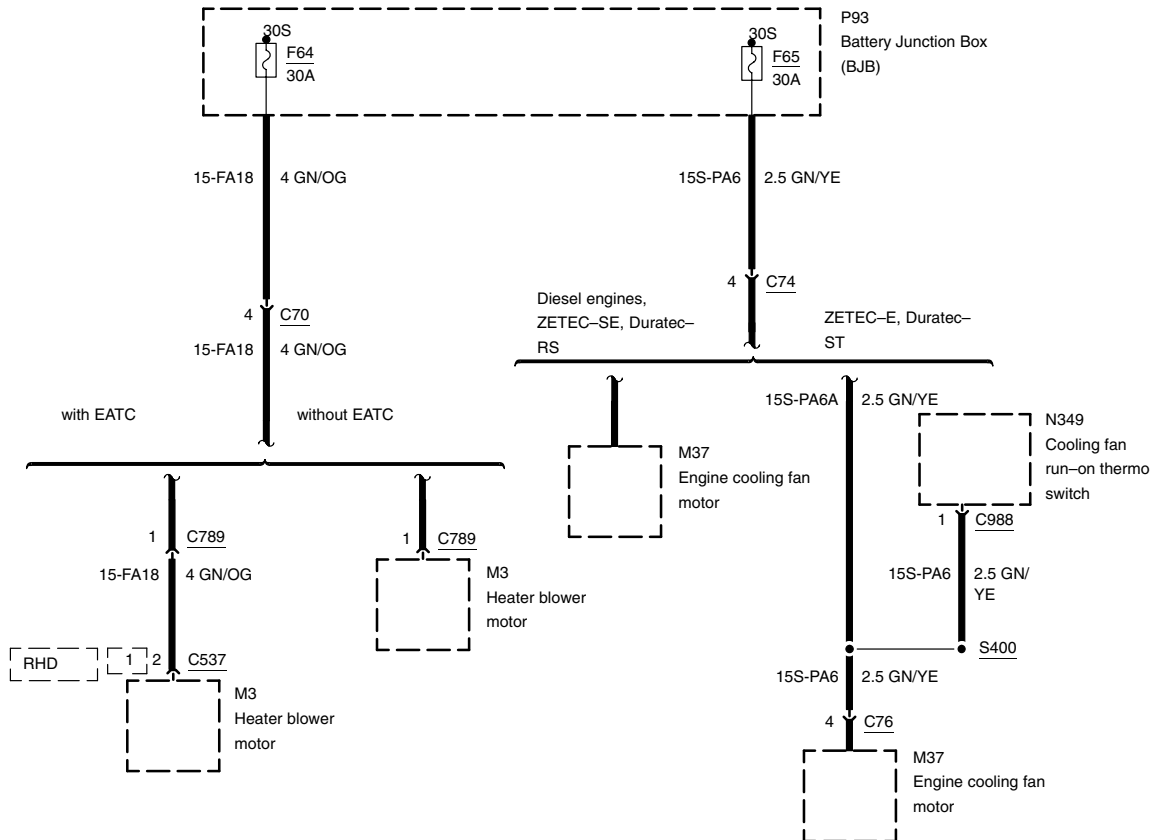
F62, F63

-47



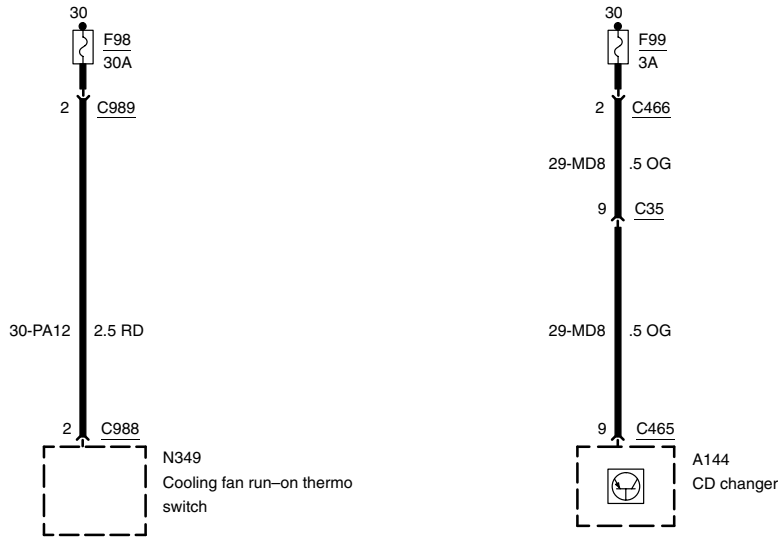
F64 and F65

-48



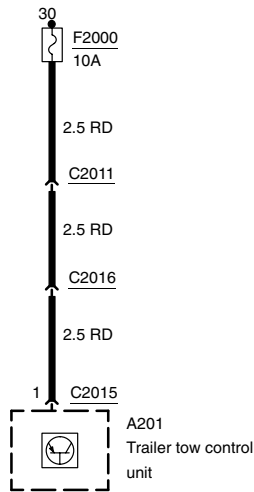
F98, F99

-49



F2000

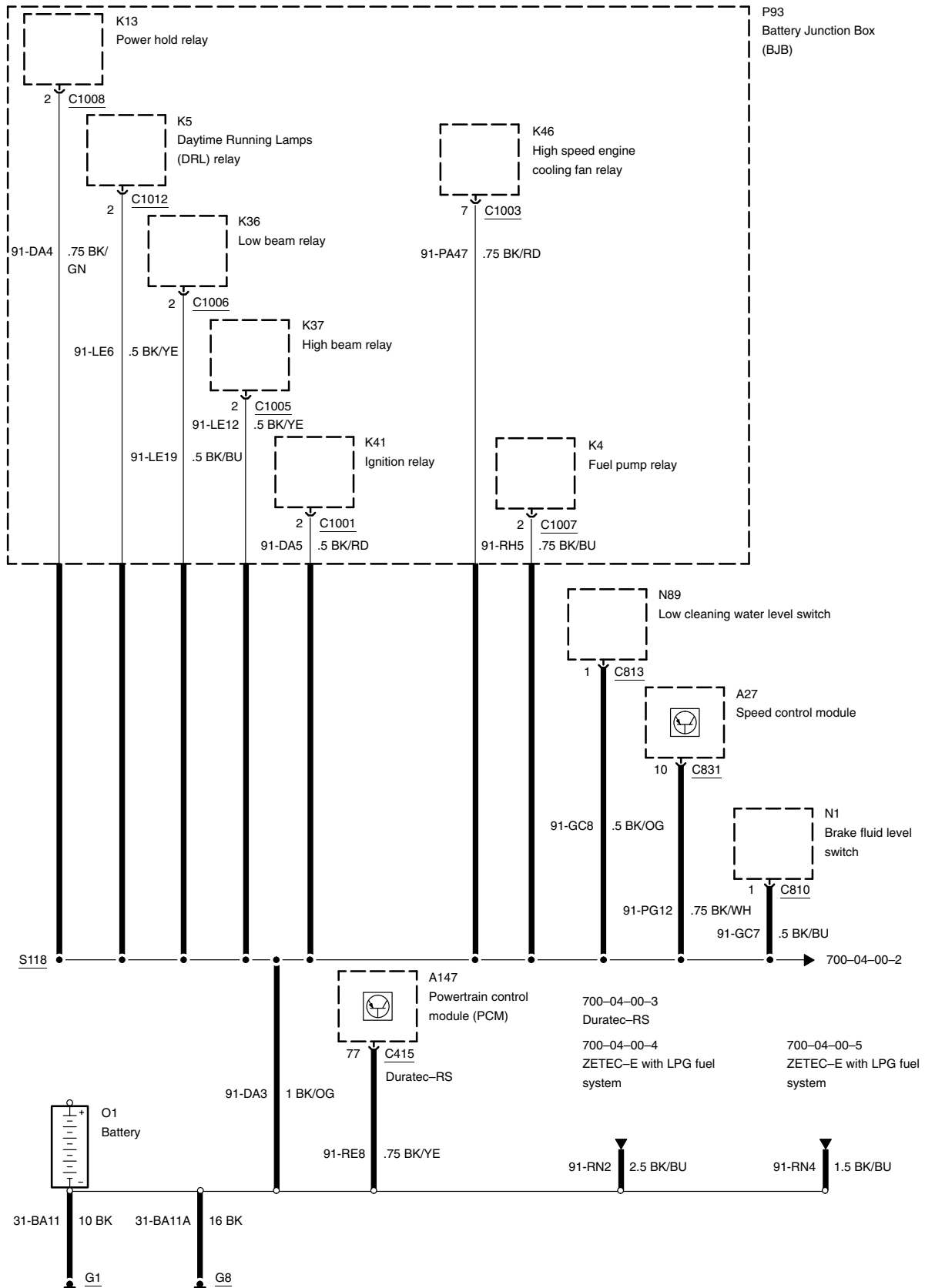
-50



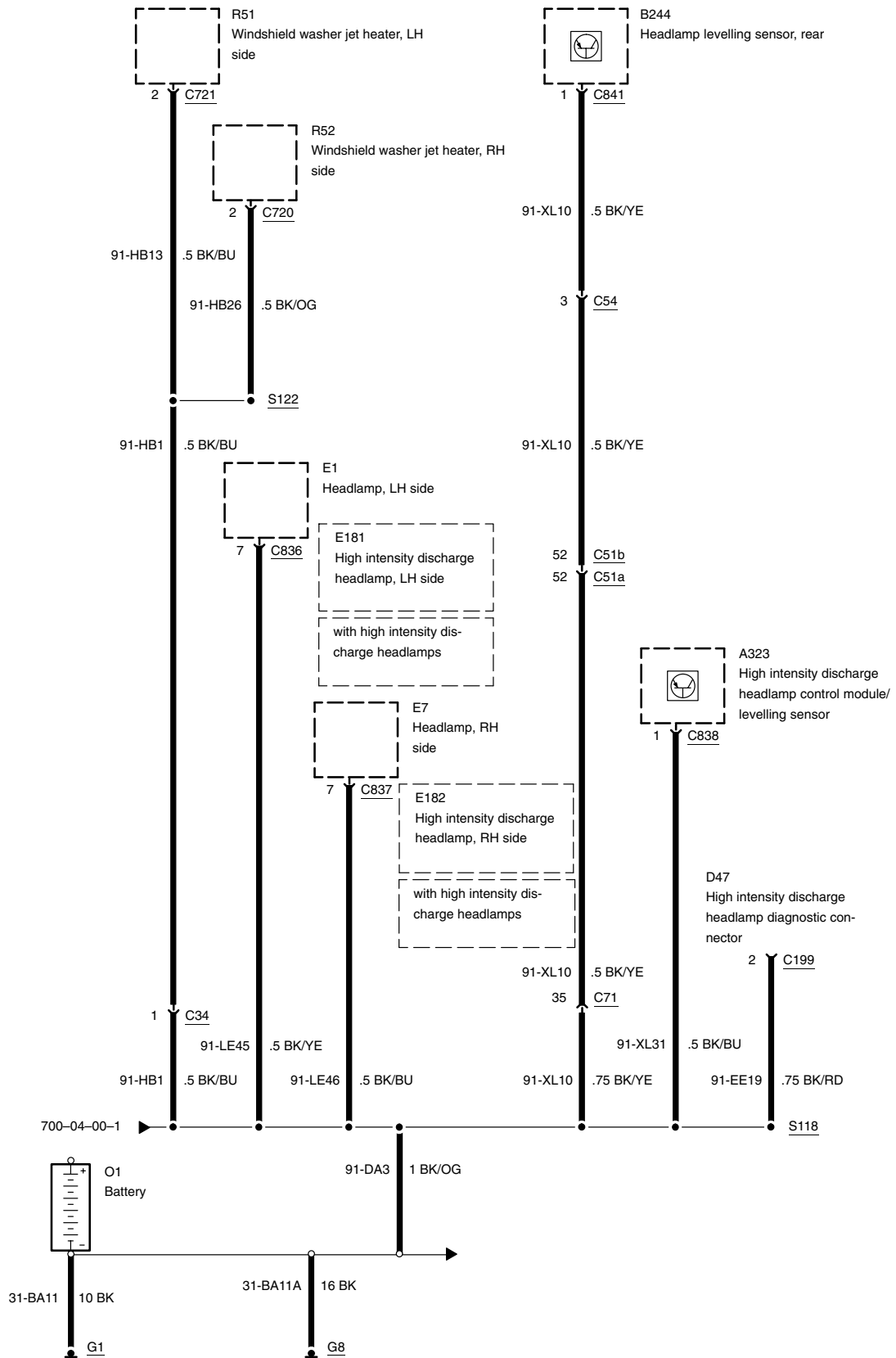


# G1, G8, Petrol engines

-1

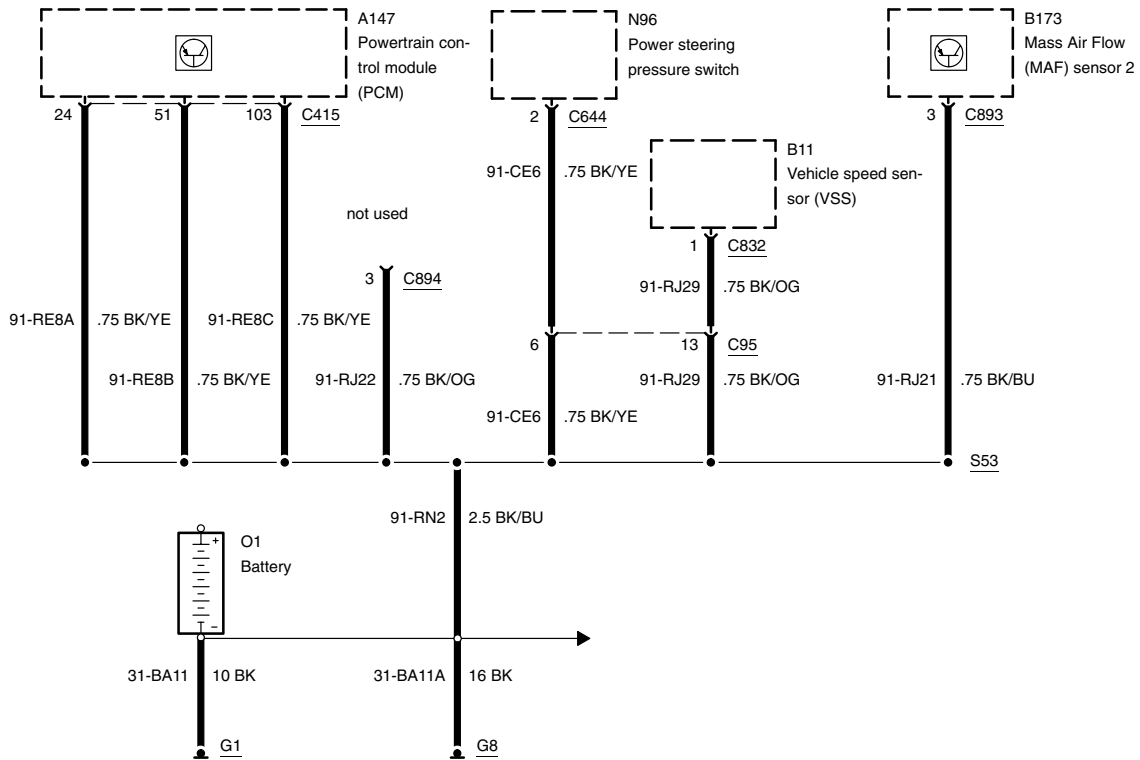


G1, G8, Petrol engines



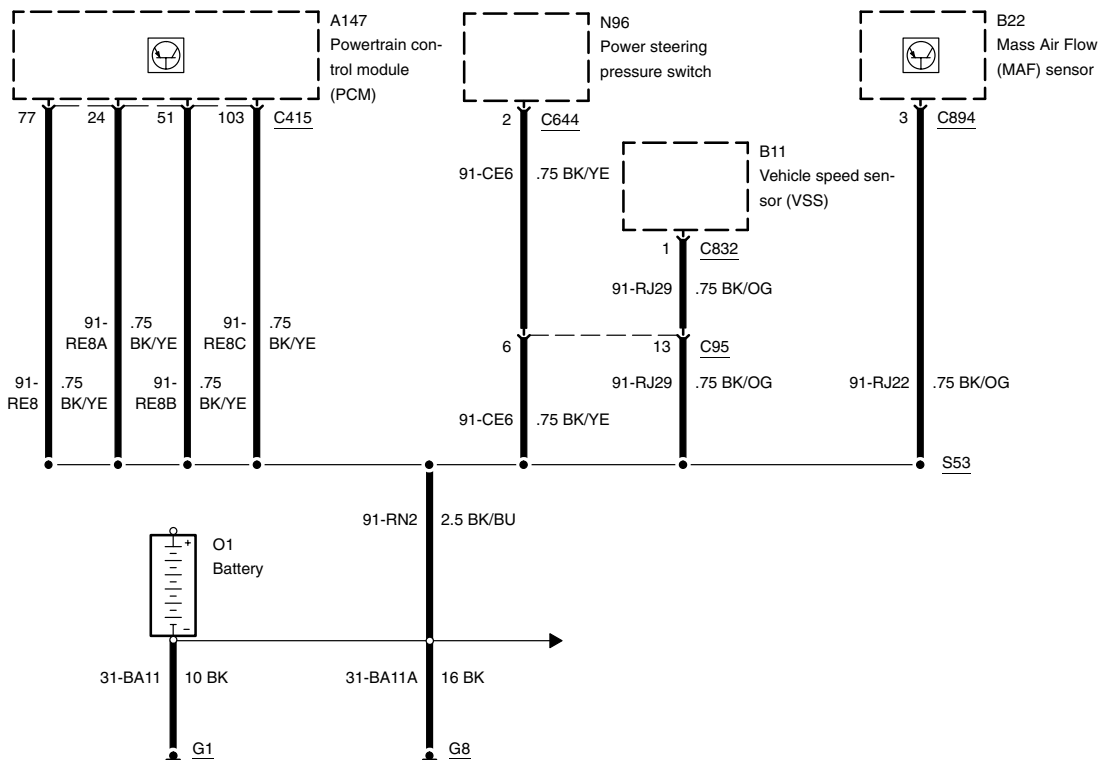
G1, G8, Duratec-RS

-3



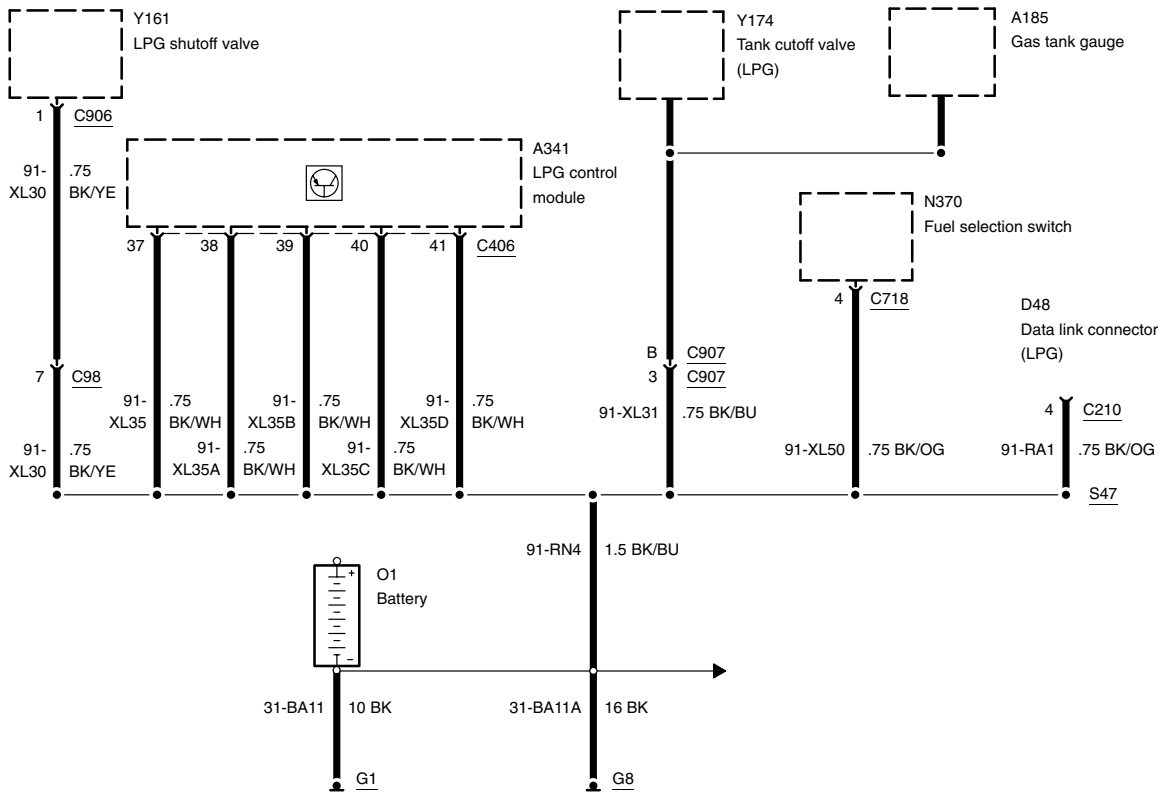
G1, G8, ZETEC-E with LPG fuel system

-4

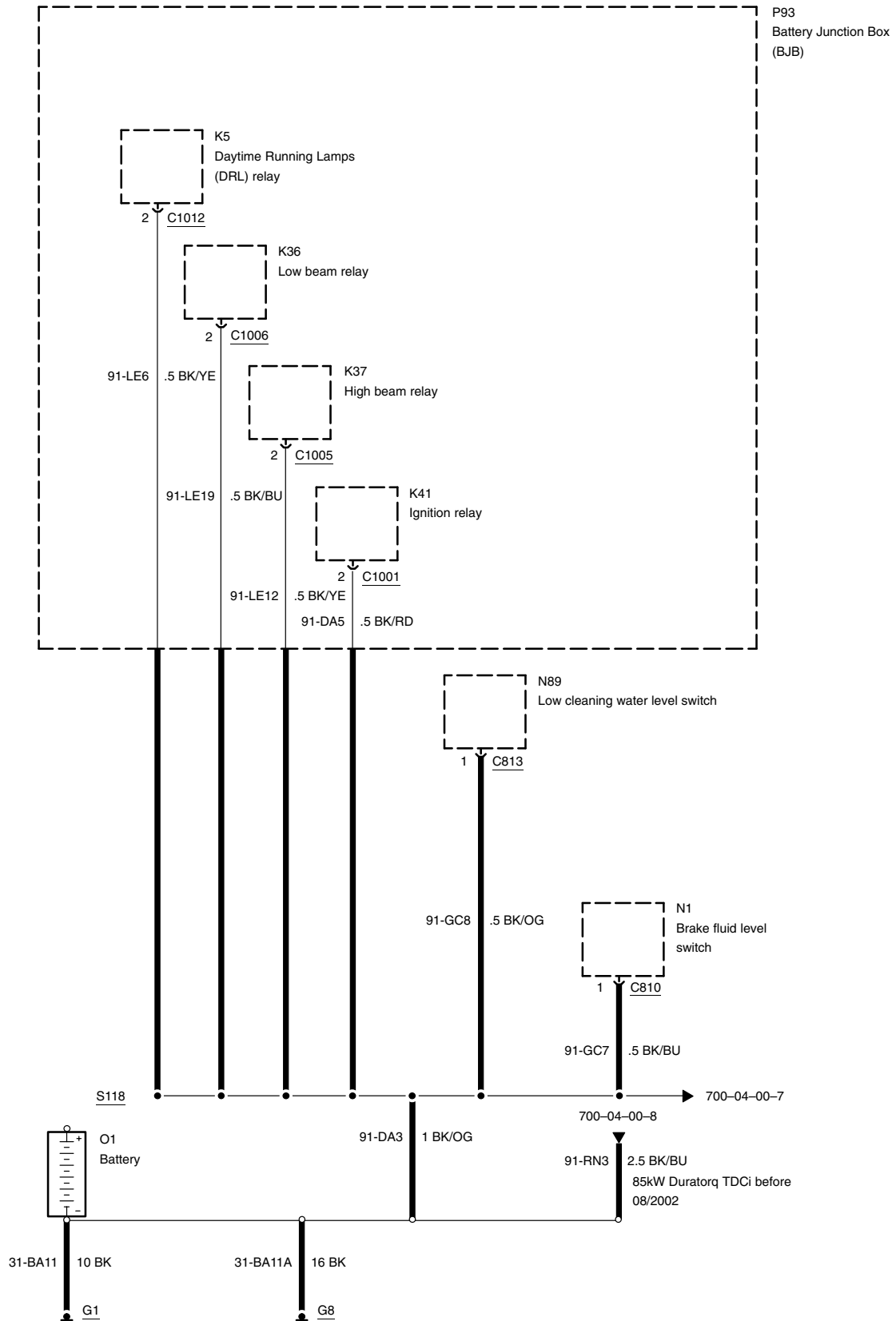


G1, G8, ZETEC-E with LPG fuel system

-5

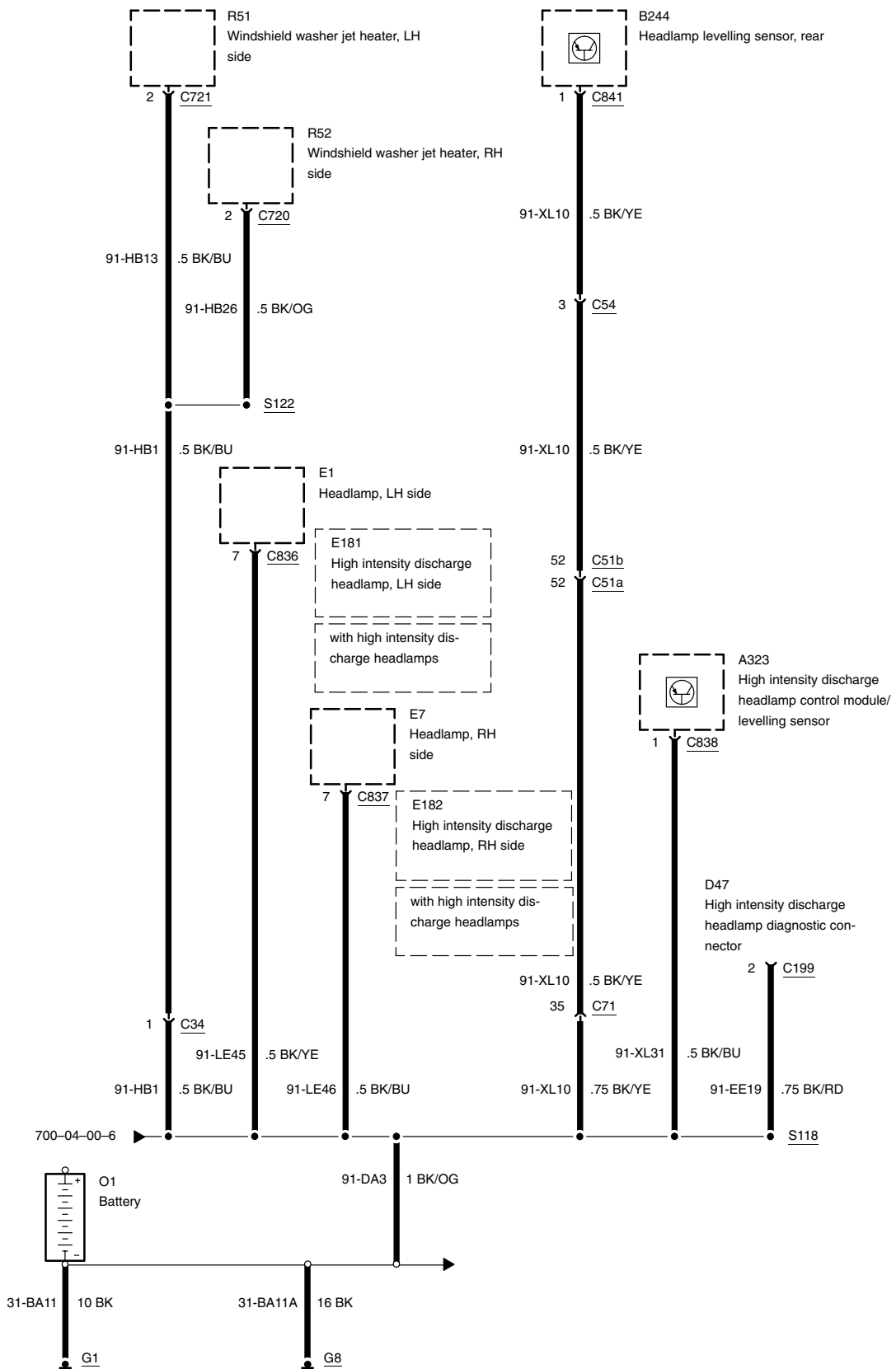


G1, G8, Diesel engines



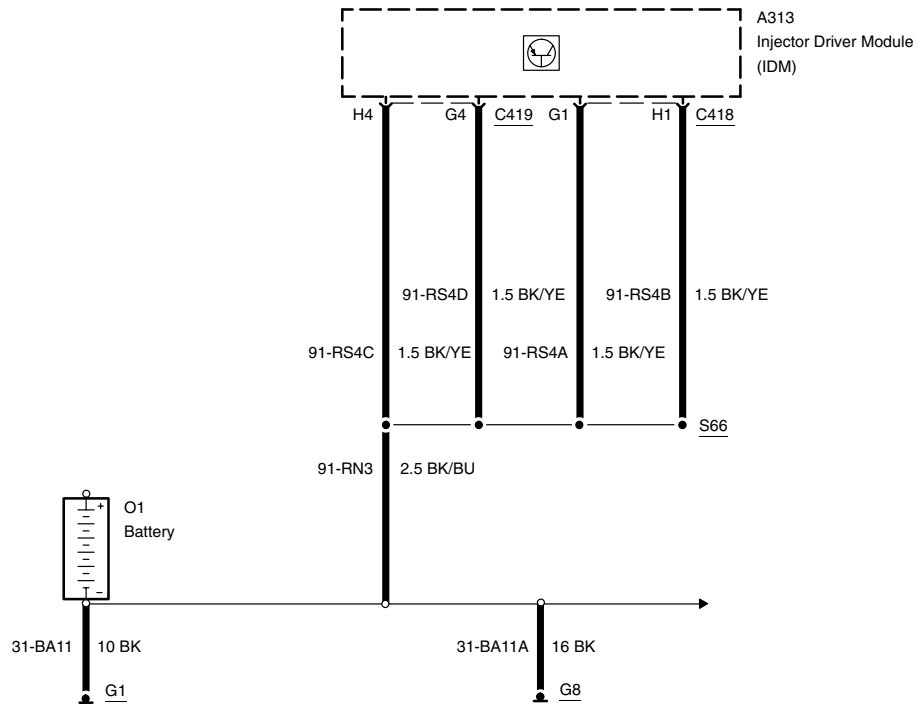


G1, G8, Diesel engines



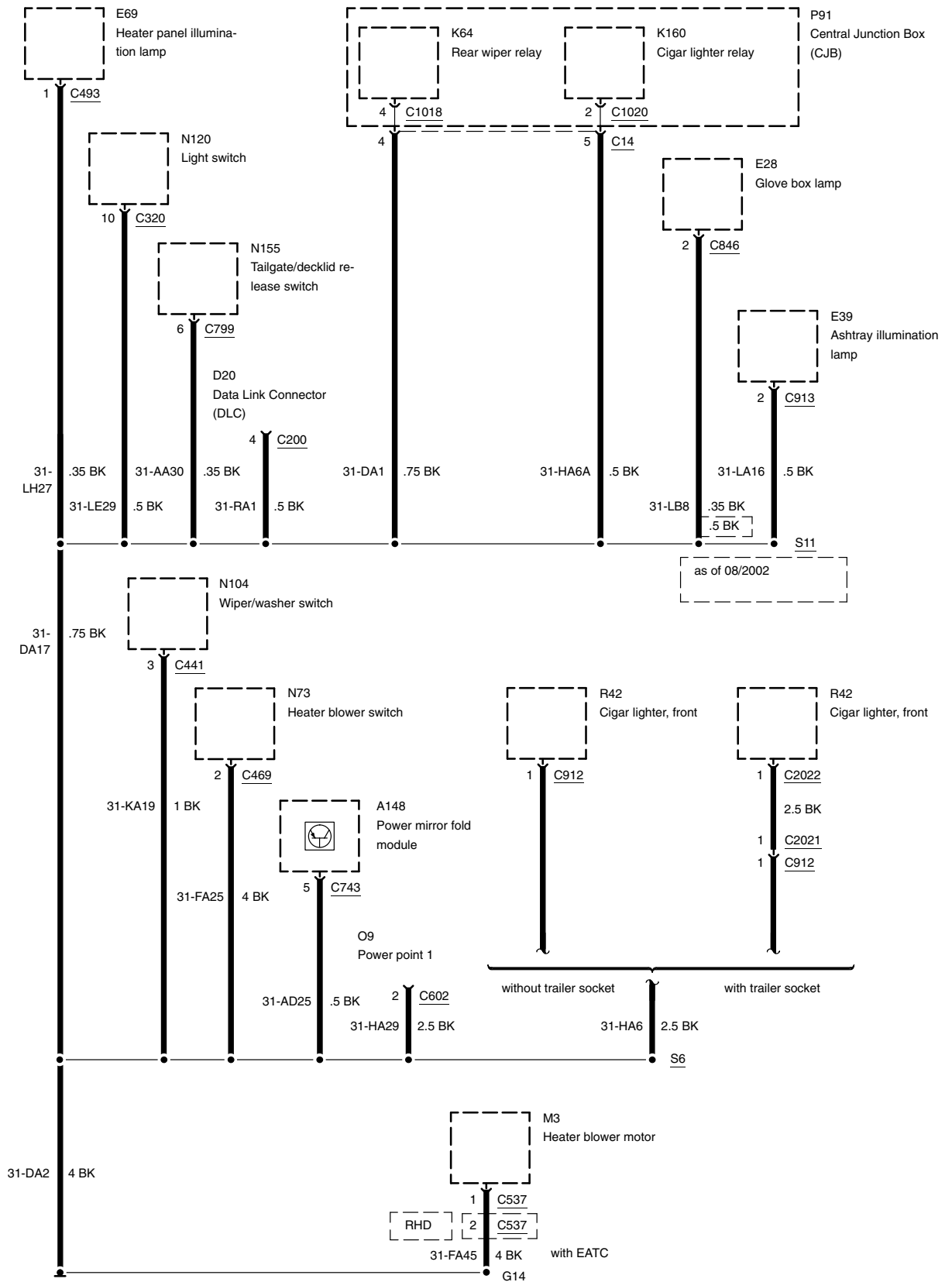
G1, G8, 85kW Duratorq TDCi before 08/2002

-8

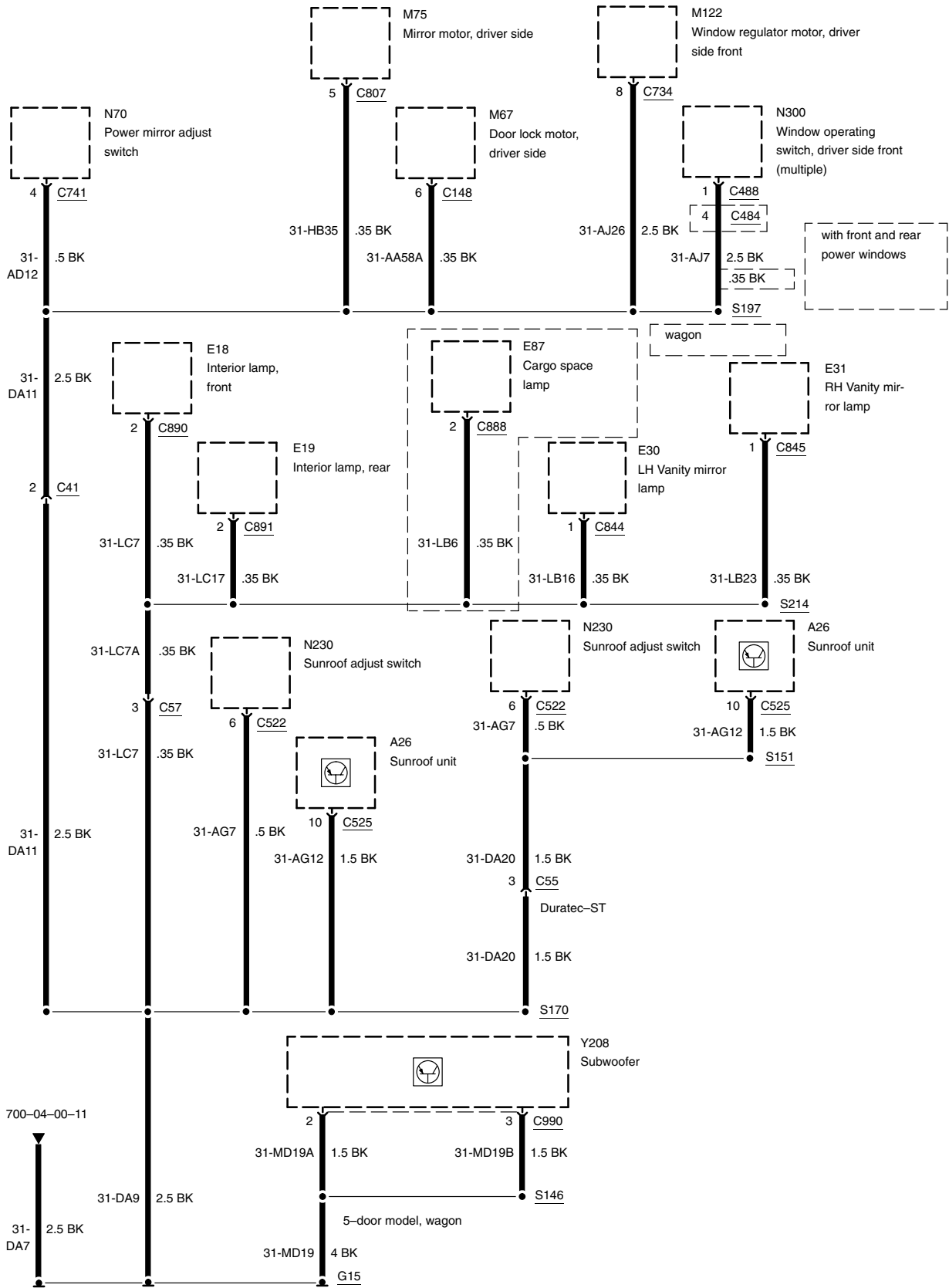


G14

-9

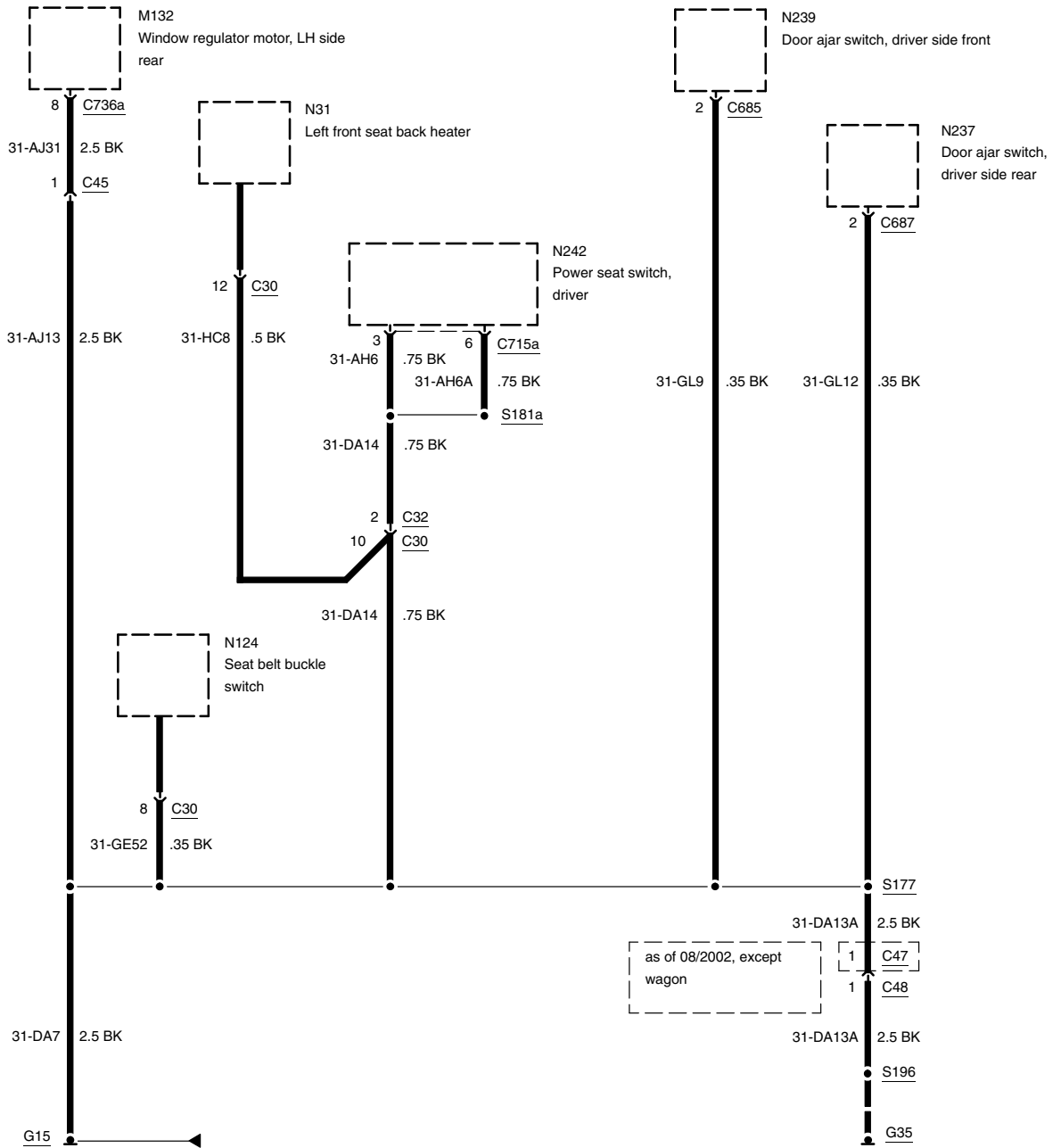


G15, LHD

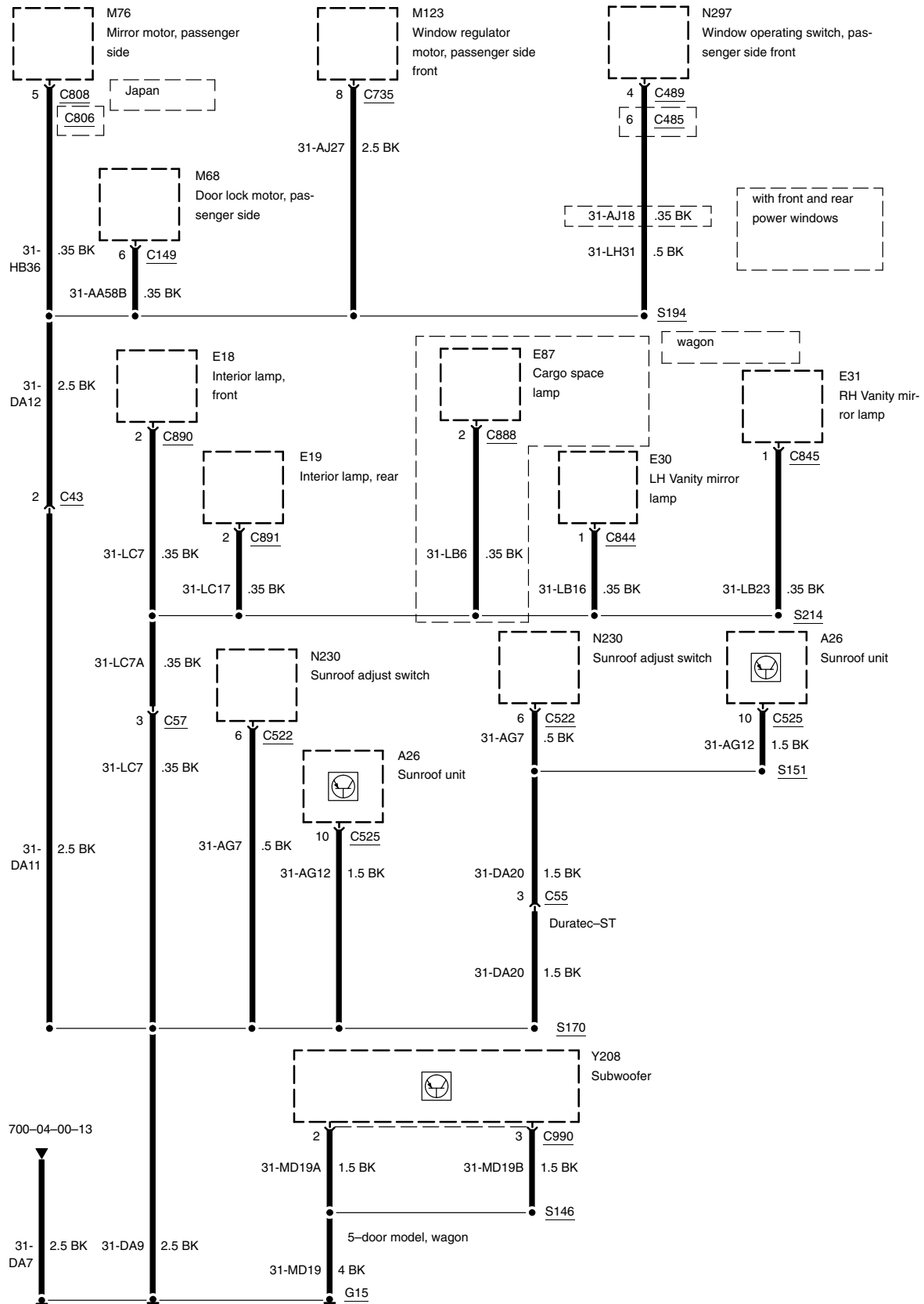


G15, LHD

-11

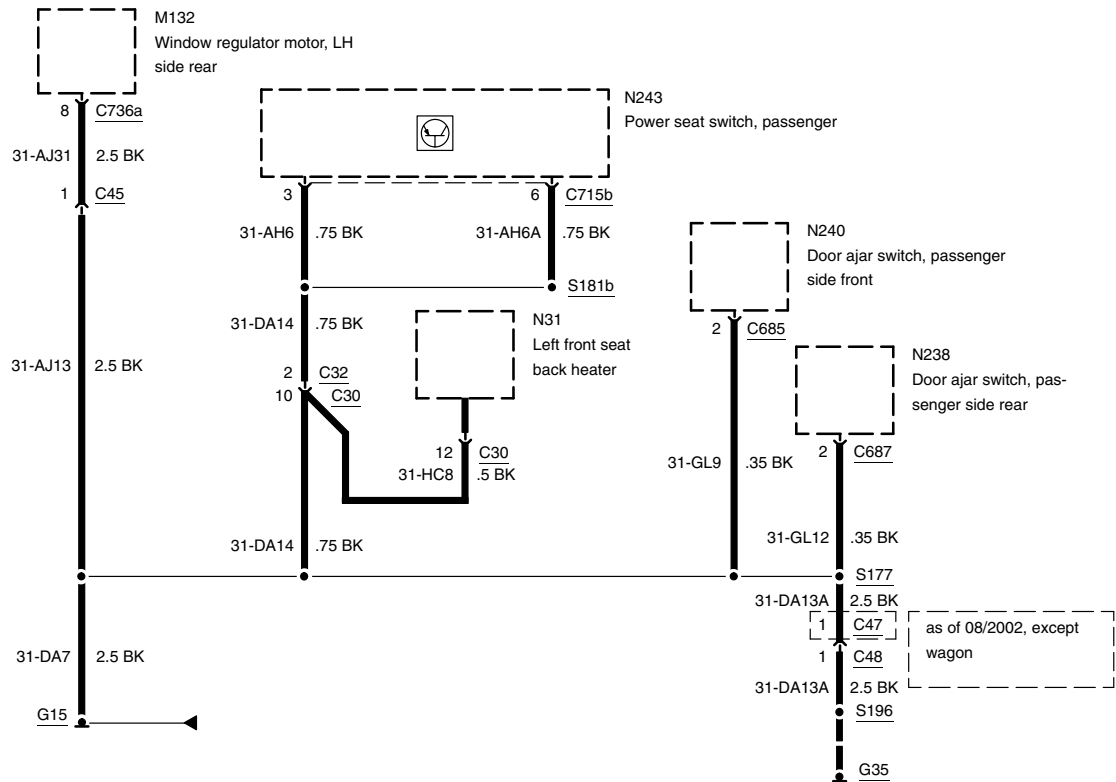


G15, RHD



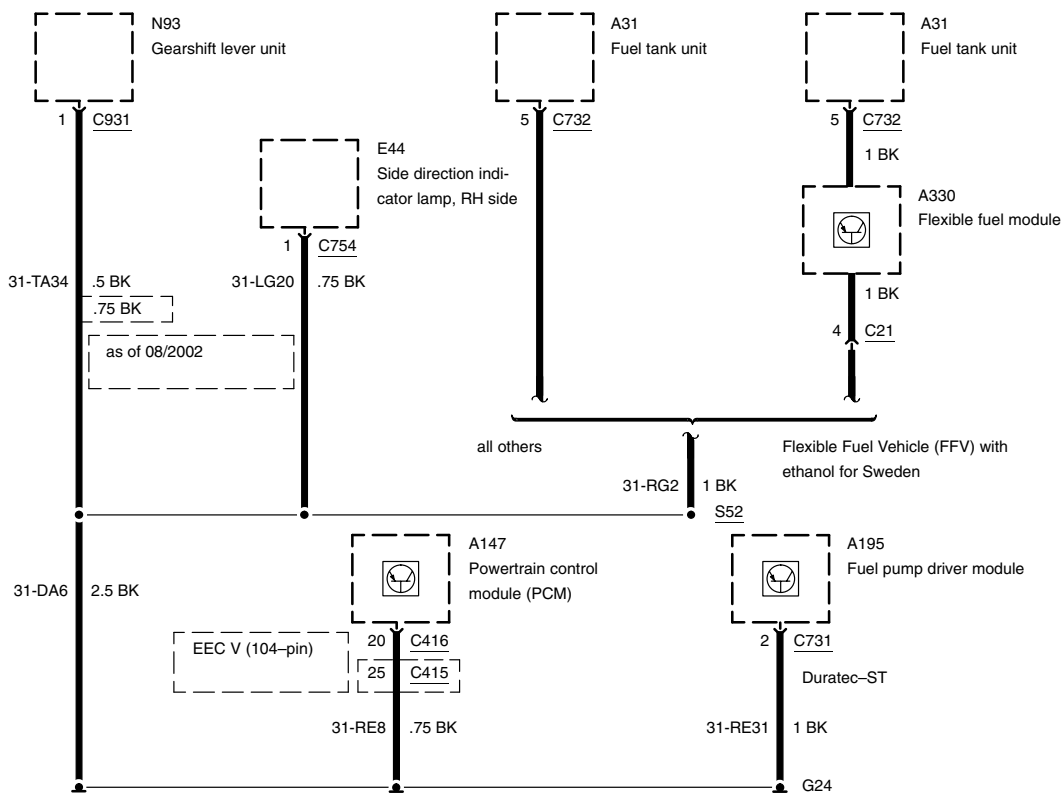
G15, RHD

-13



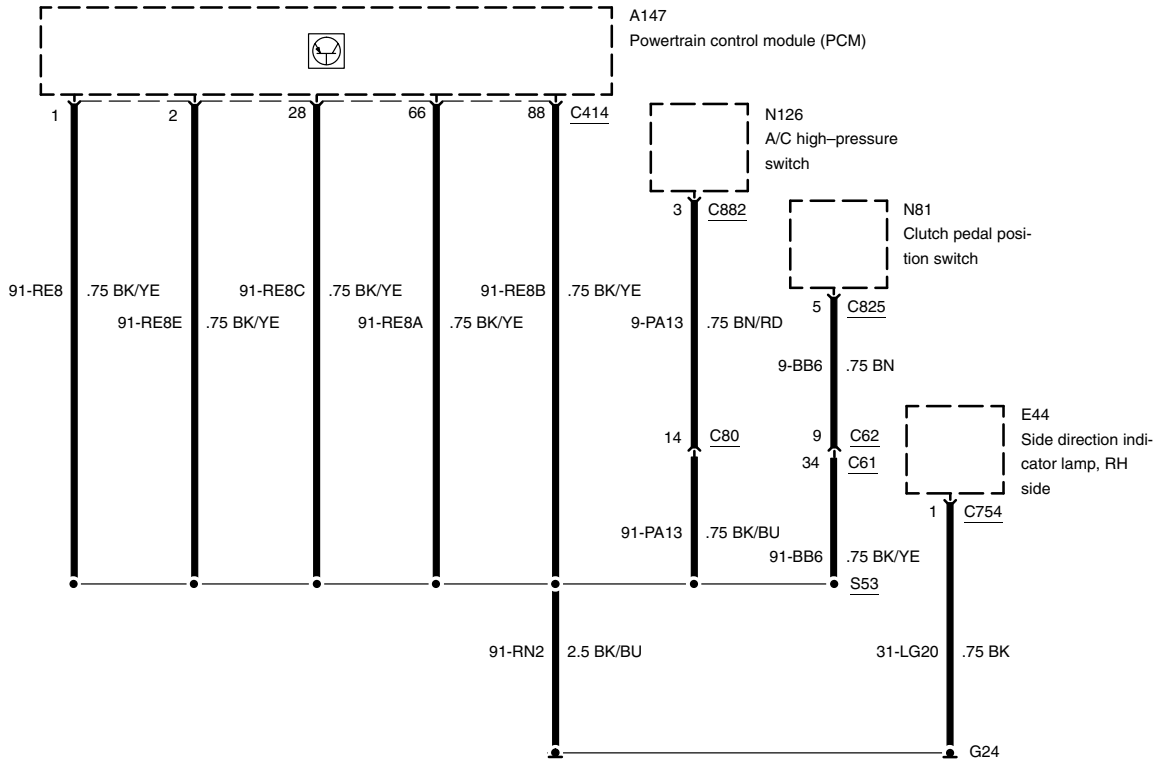
G24, except 74kW Duratorq TDCi, 85kW Duratorq TDCi as of 08/2002

-14



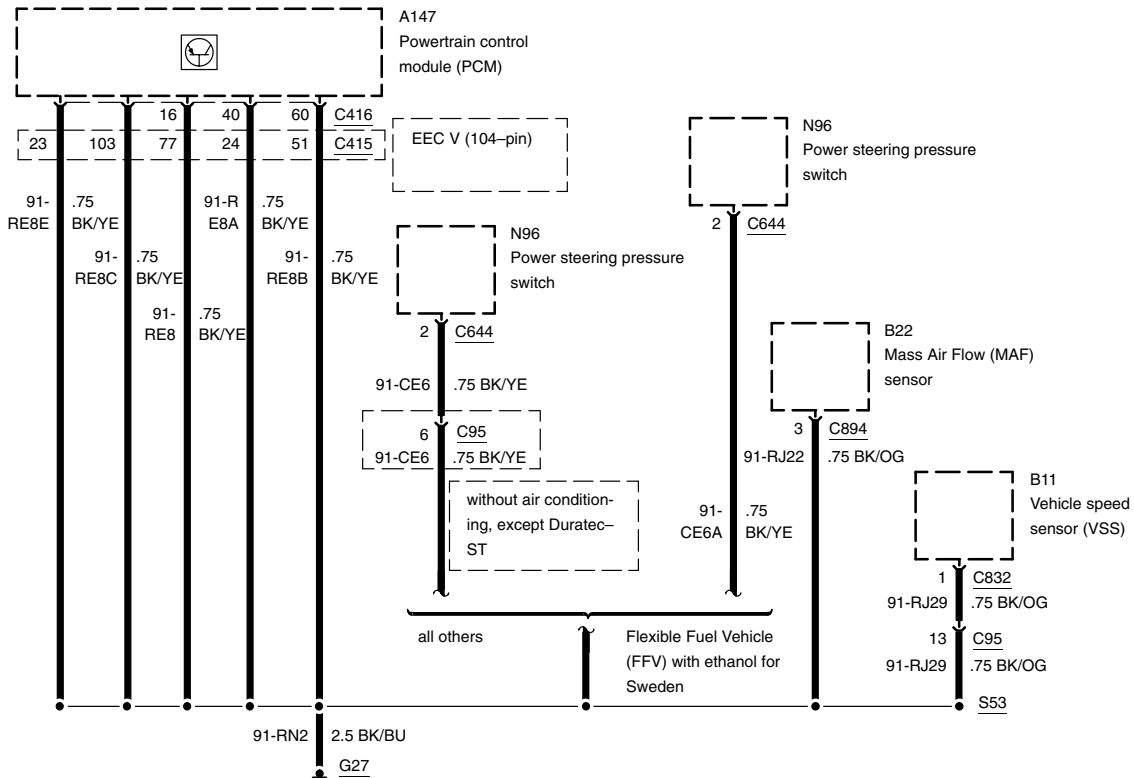
G24, 74kW Duratorq TDCi, 85kW Duratorq TDCi as of 08/2002

-15



G27, Petrol engines

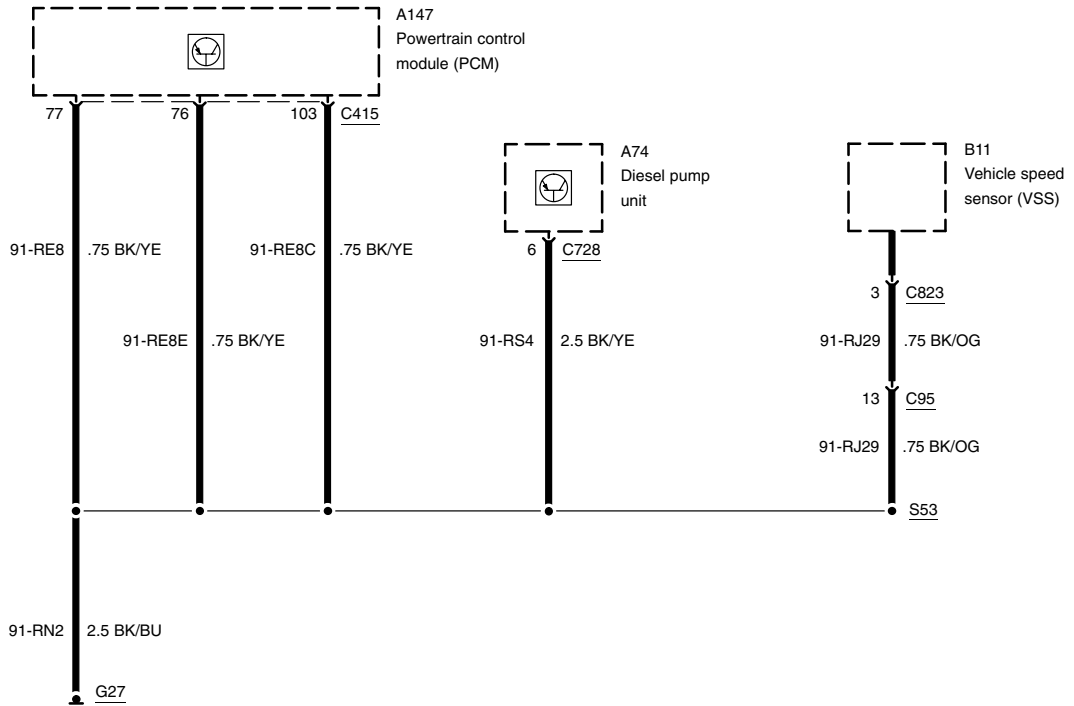
-16





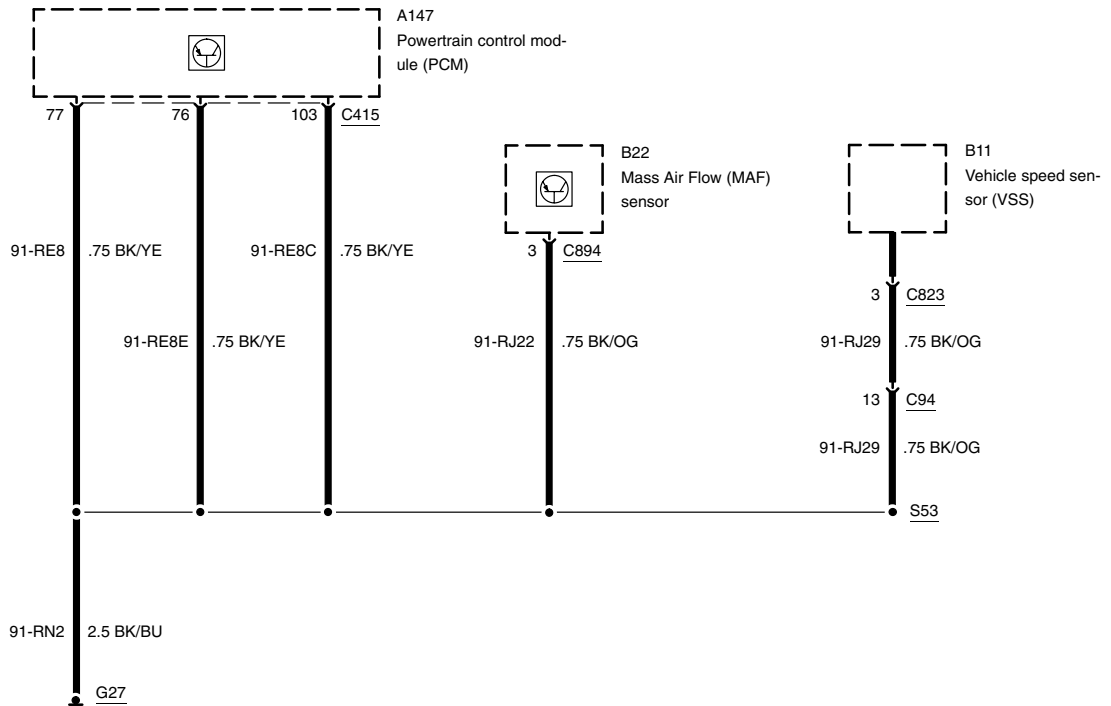
G27, Endura-TDDi

-17



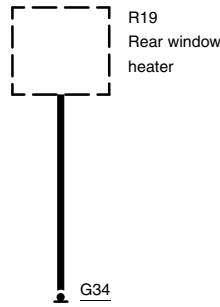
G27, 85kW Duratorq TDCi before 08/2002

-18



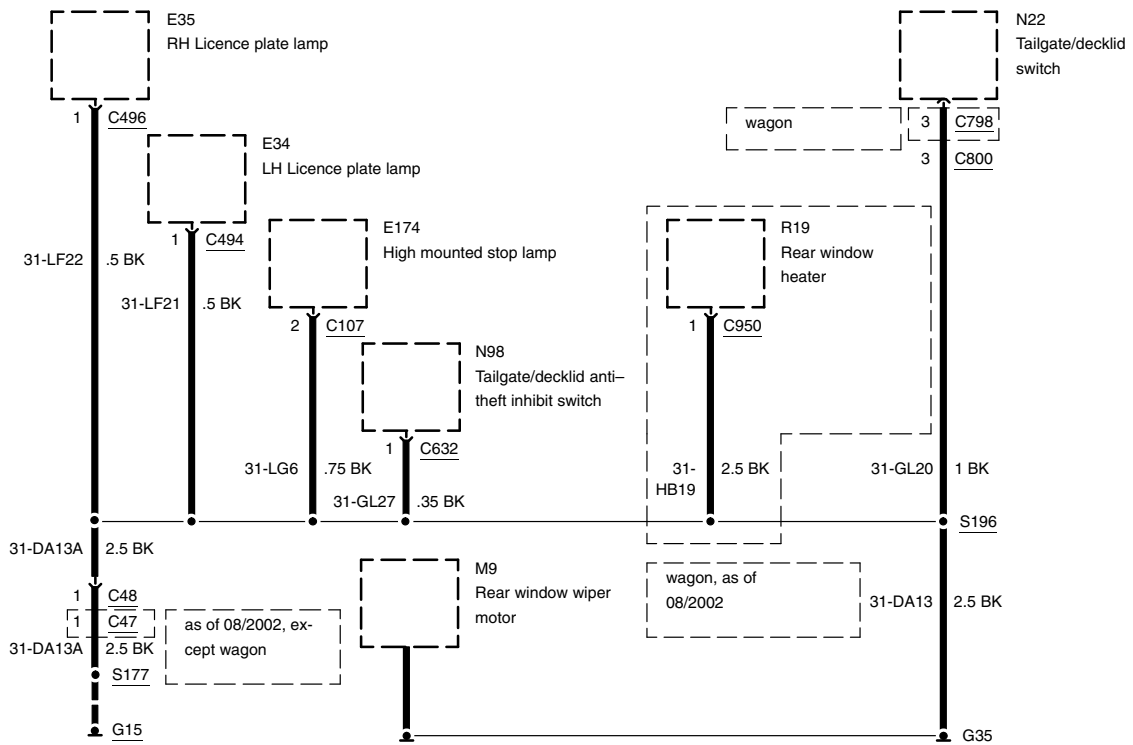
G34, 3-door model, 5-door model, wagon

-19



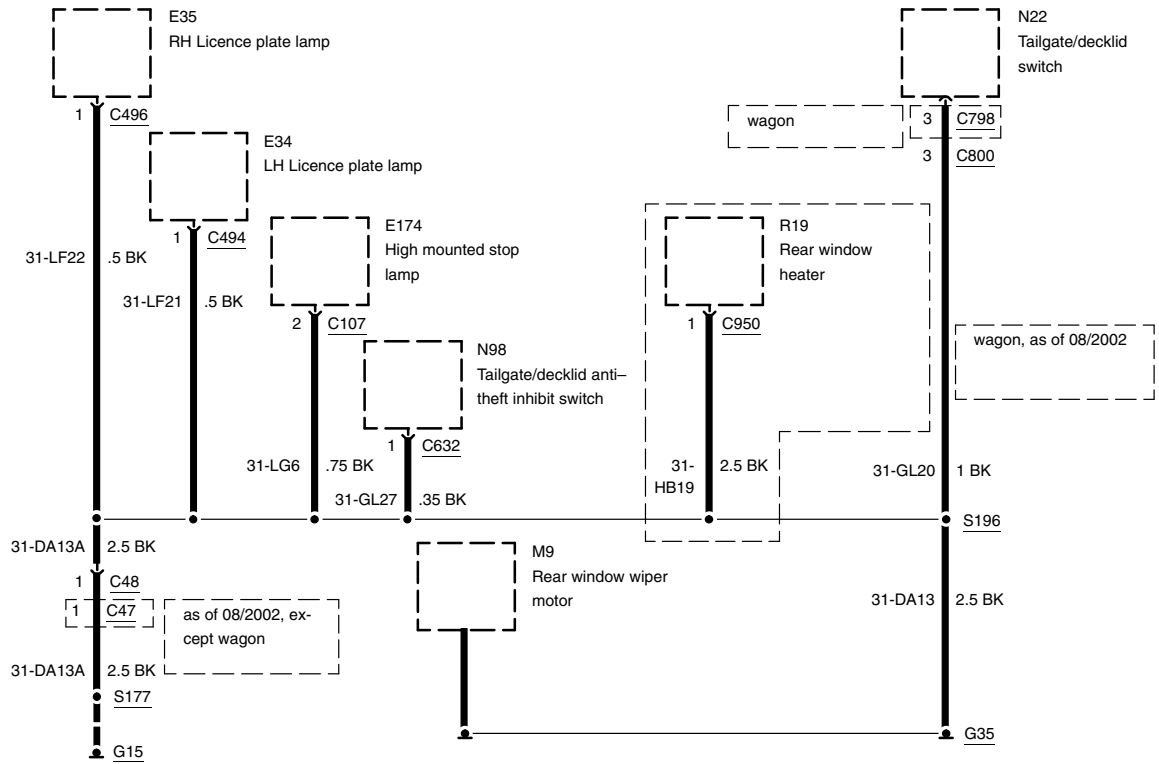
G35, LHD

-20

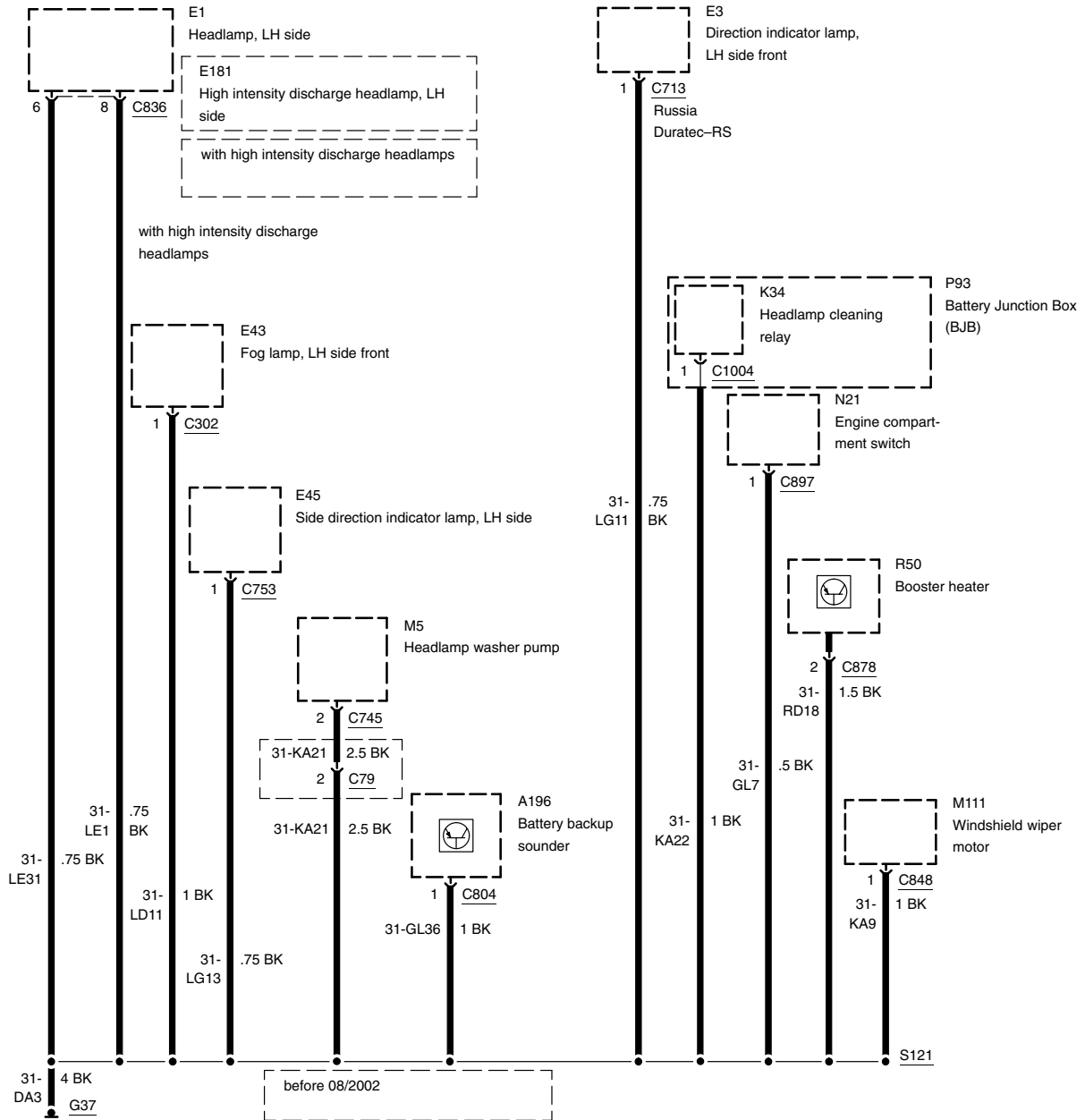


G35, RHD

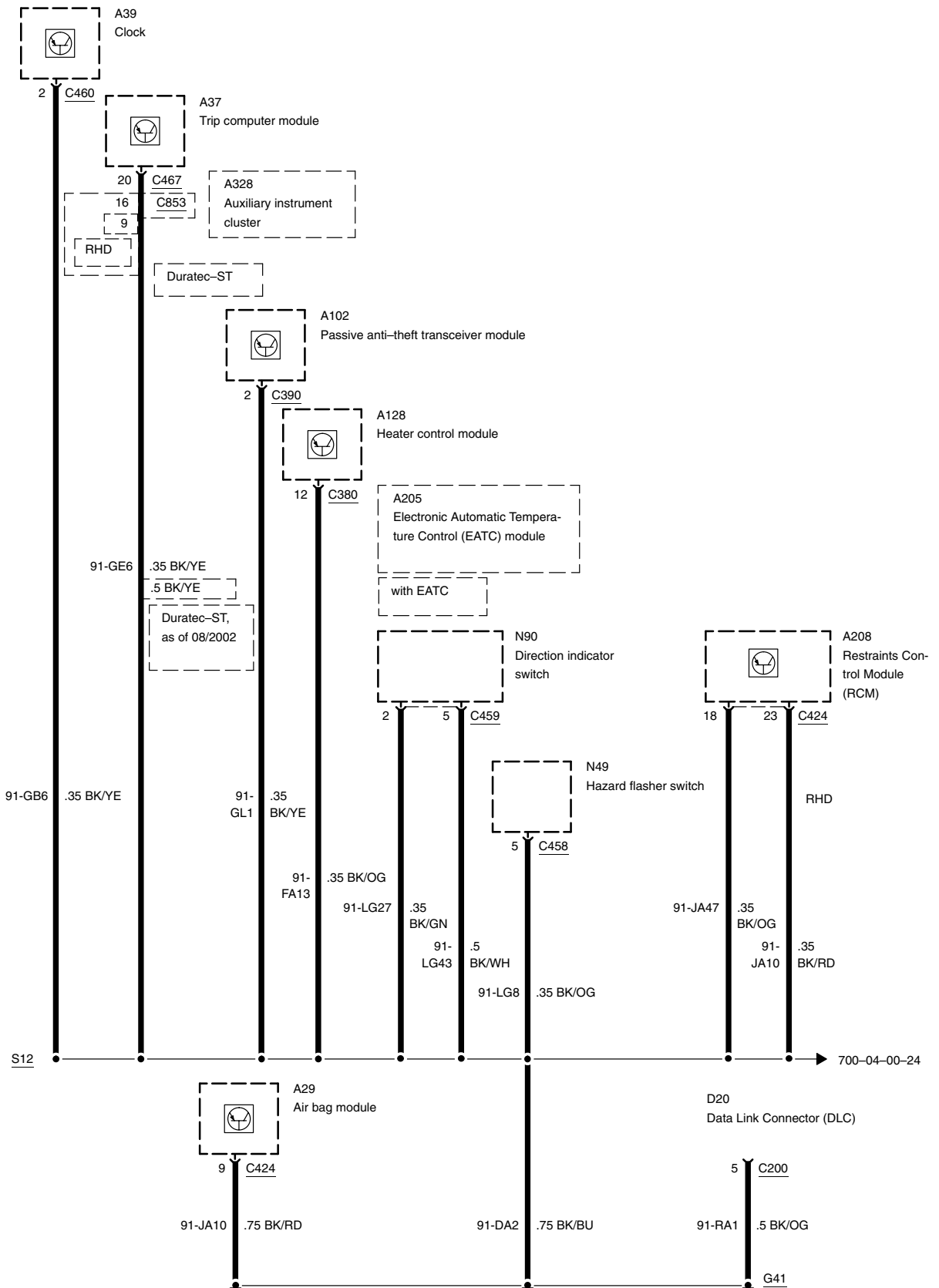
-21



G37

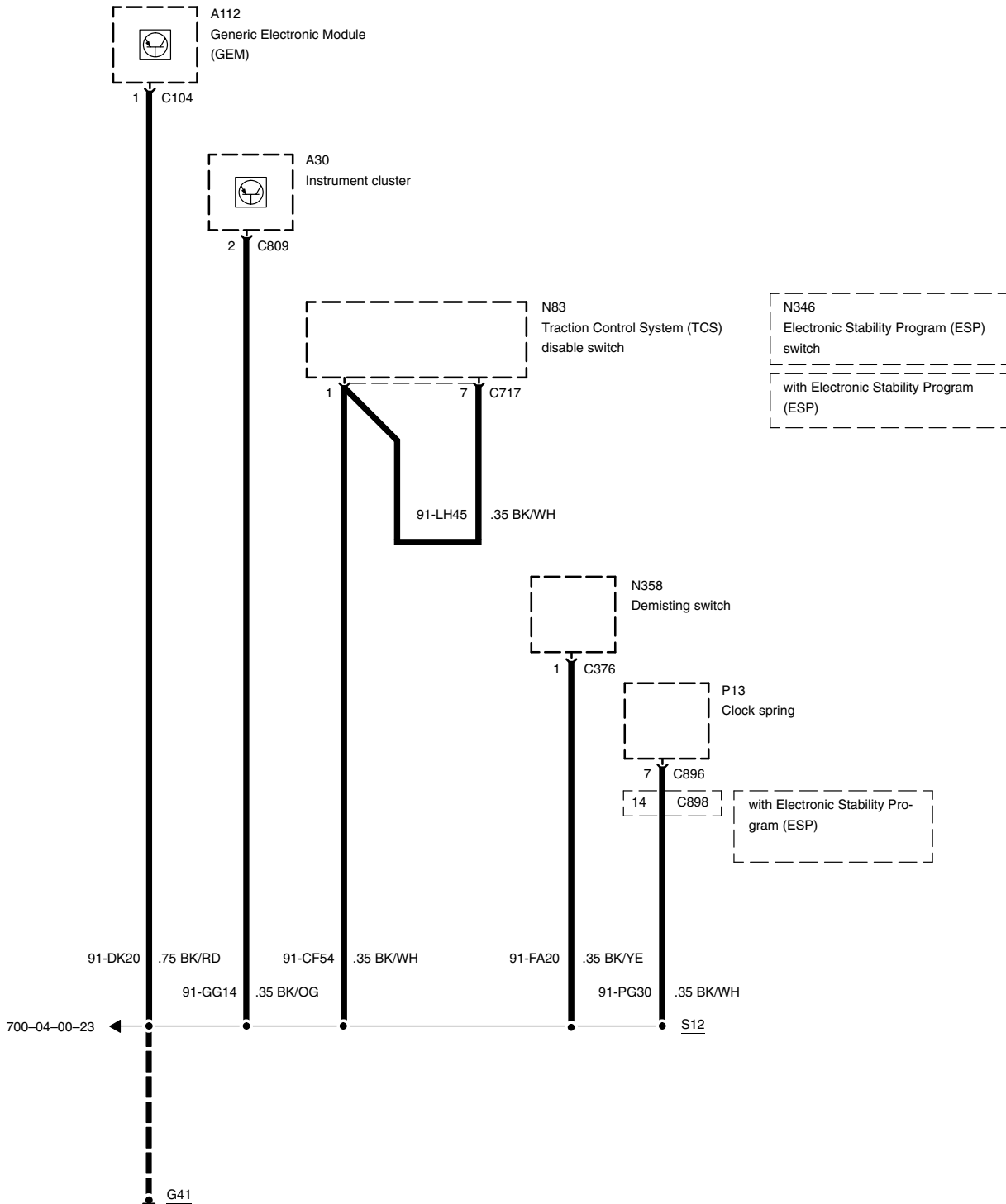


G41



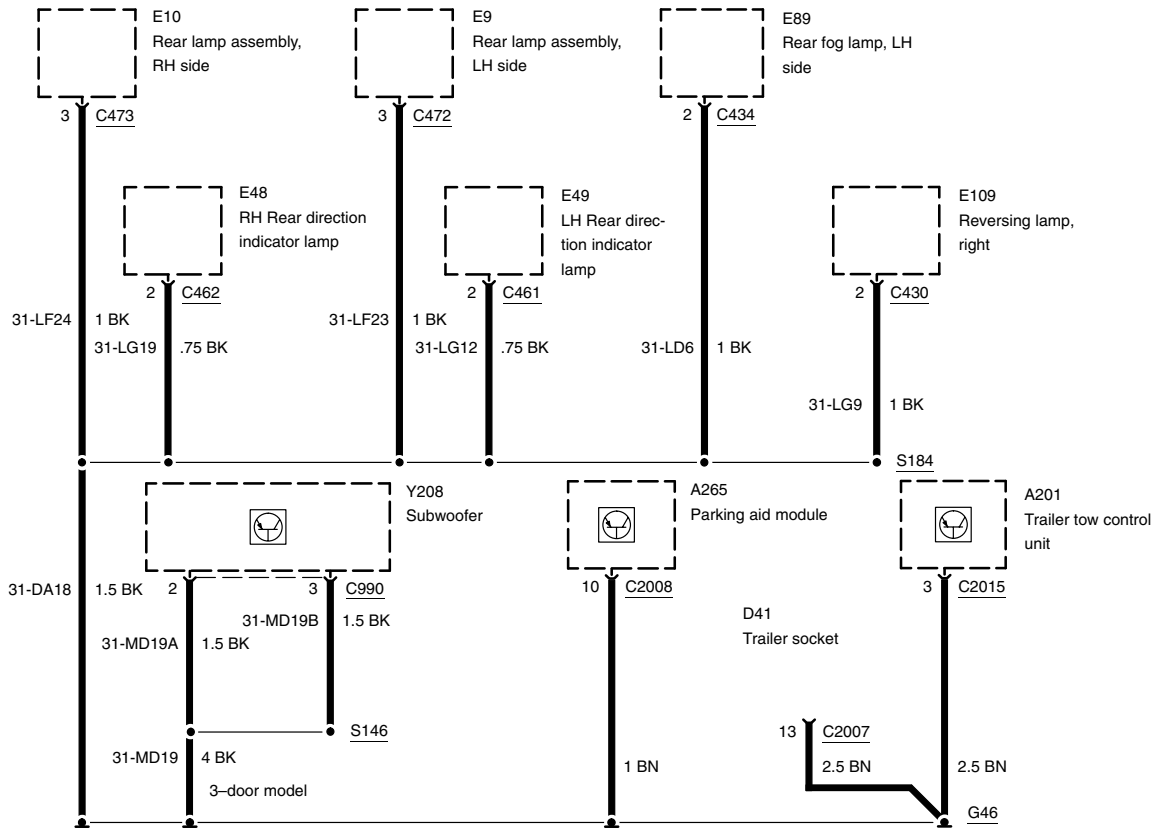
G41

-24

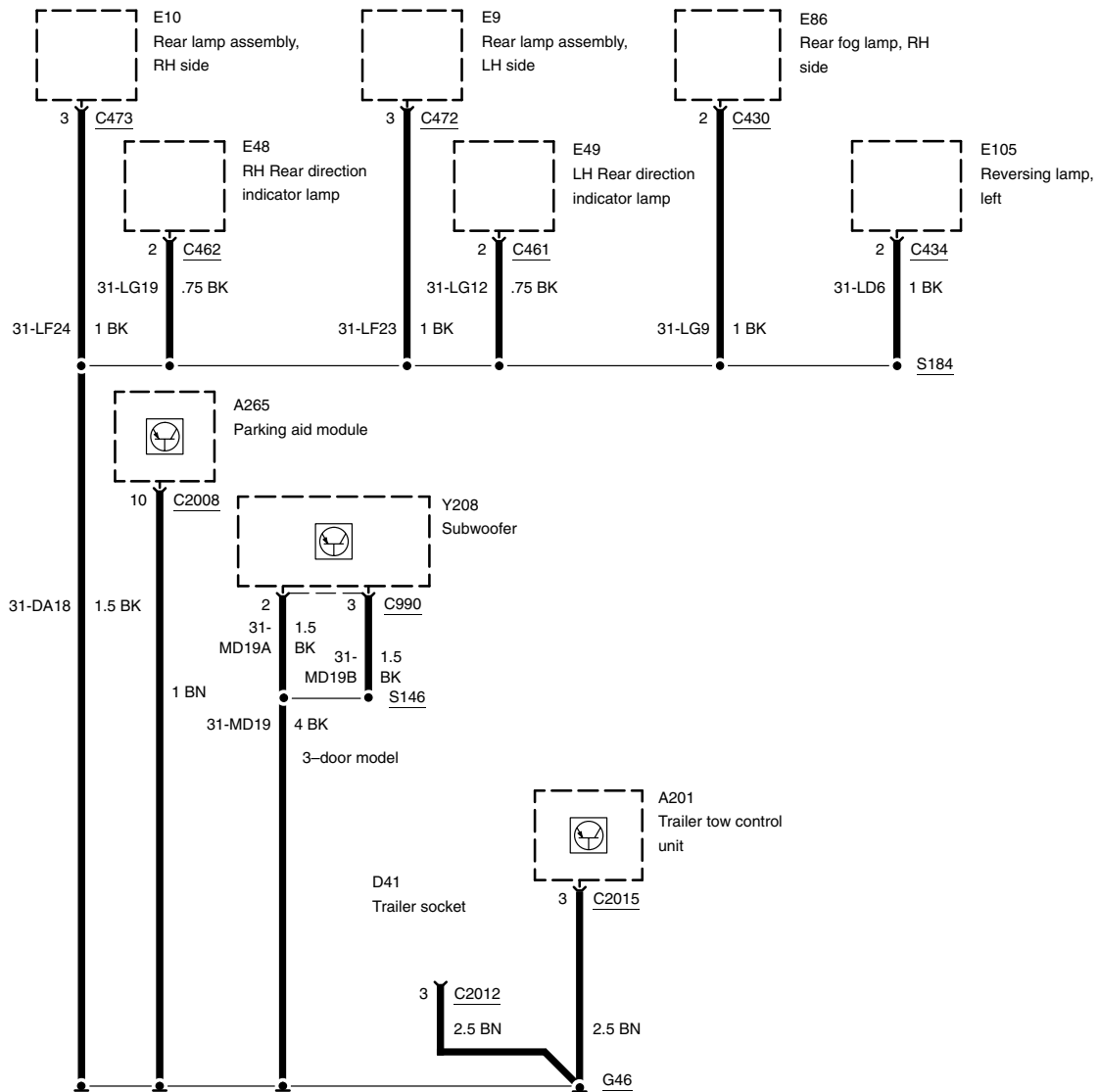


G46, 3-door model, 5-door model, LHD

-25



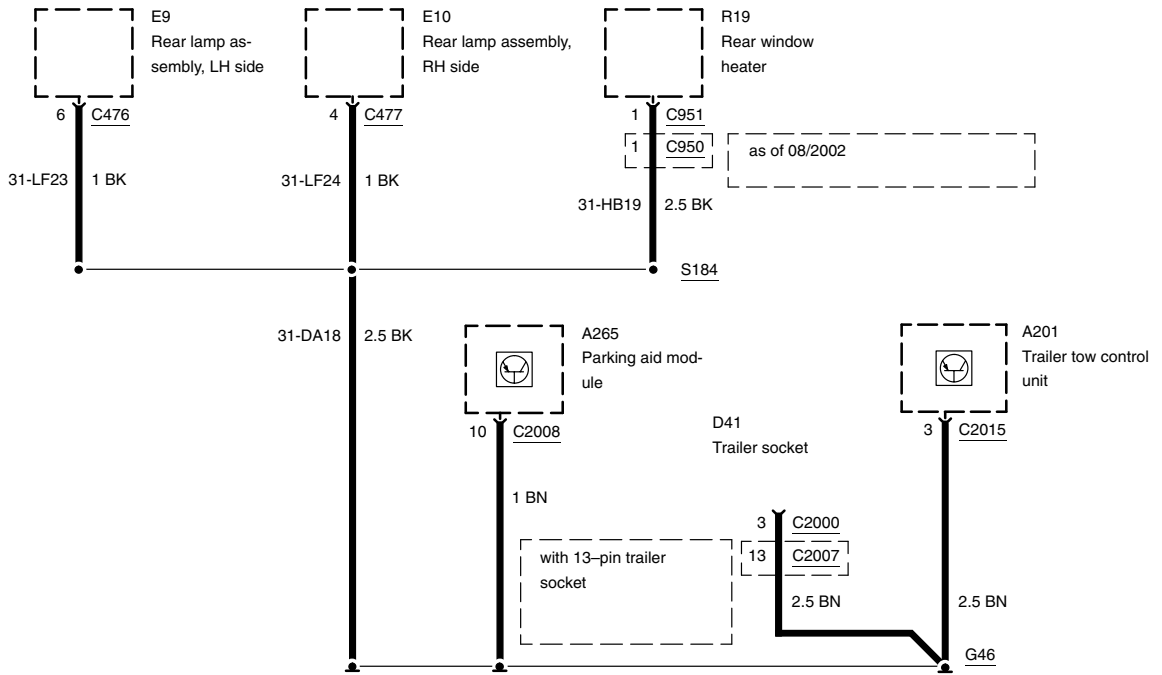
G46, 3-door model, 5-door model, RHD





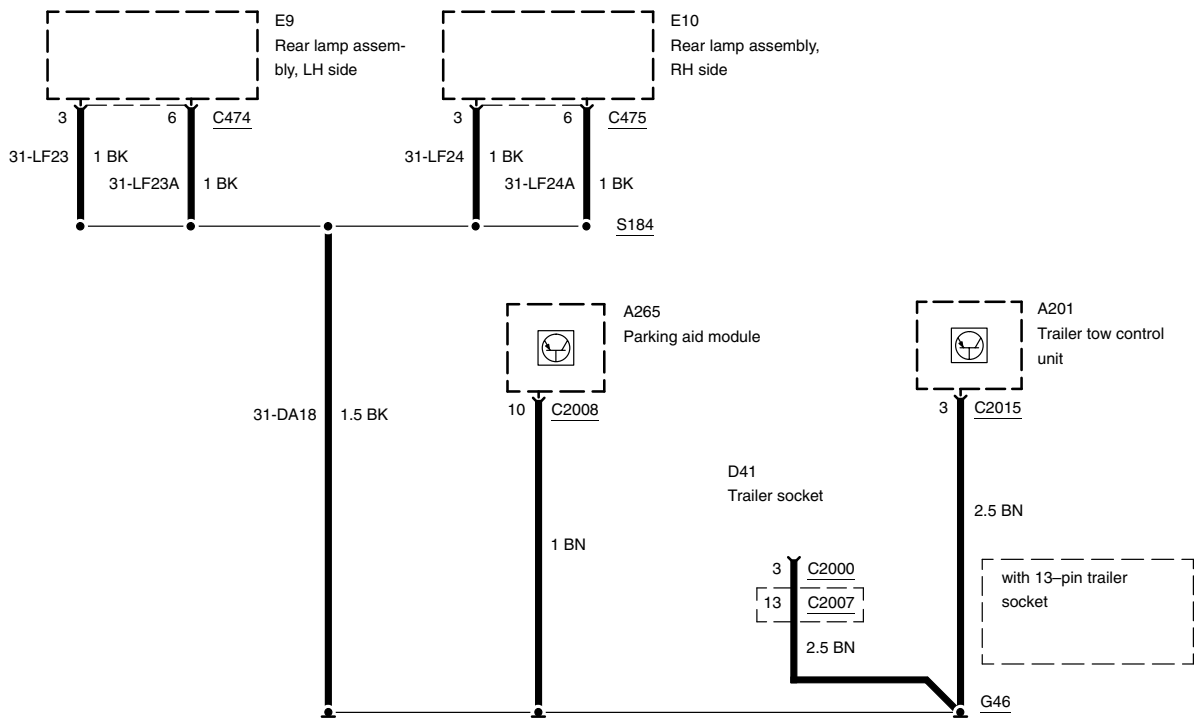
G46, 4-door model

-27



G46, wagon

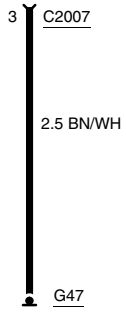
-28



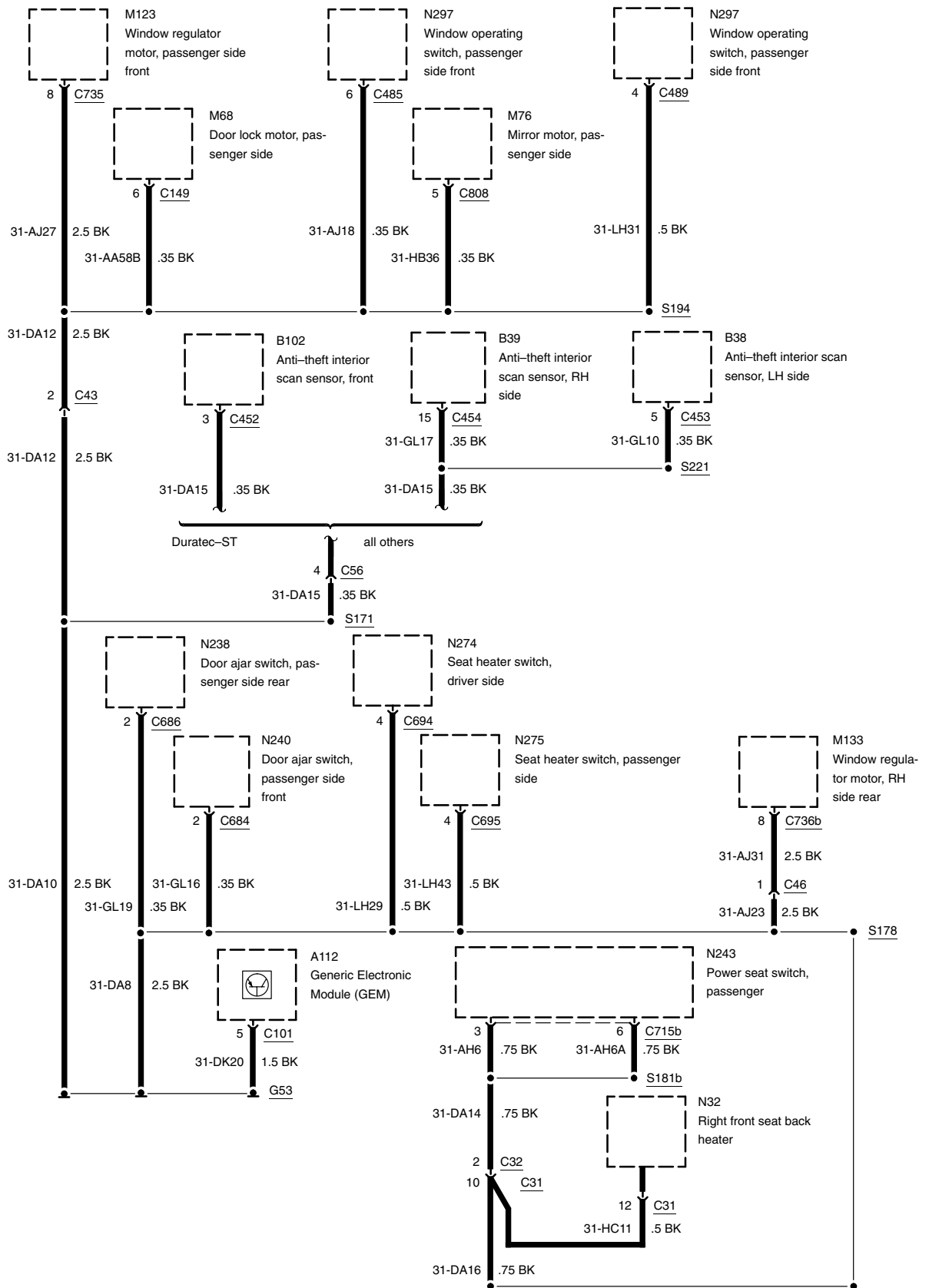
**G47**

**-29**

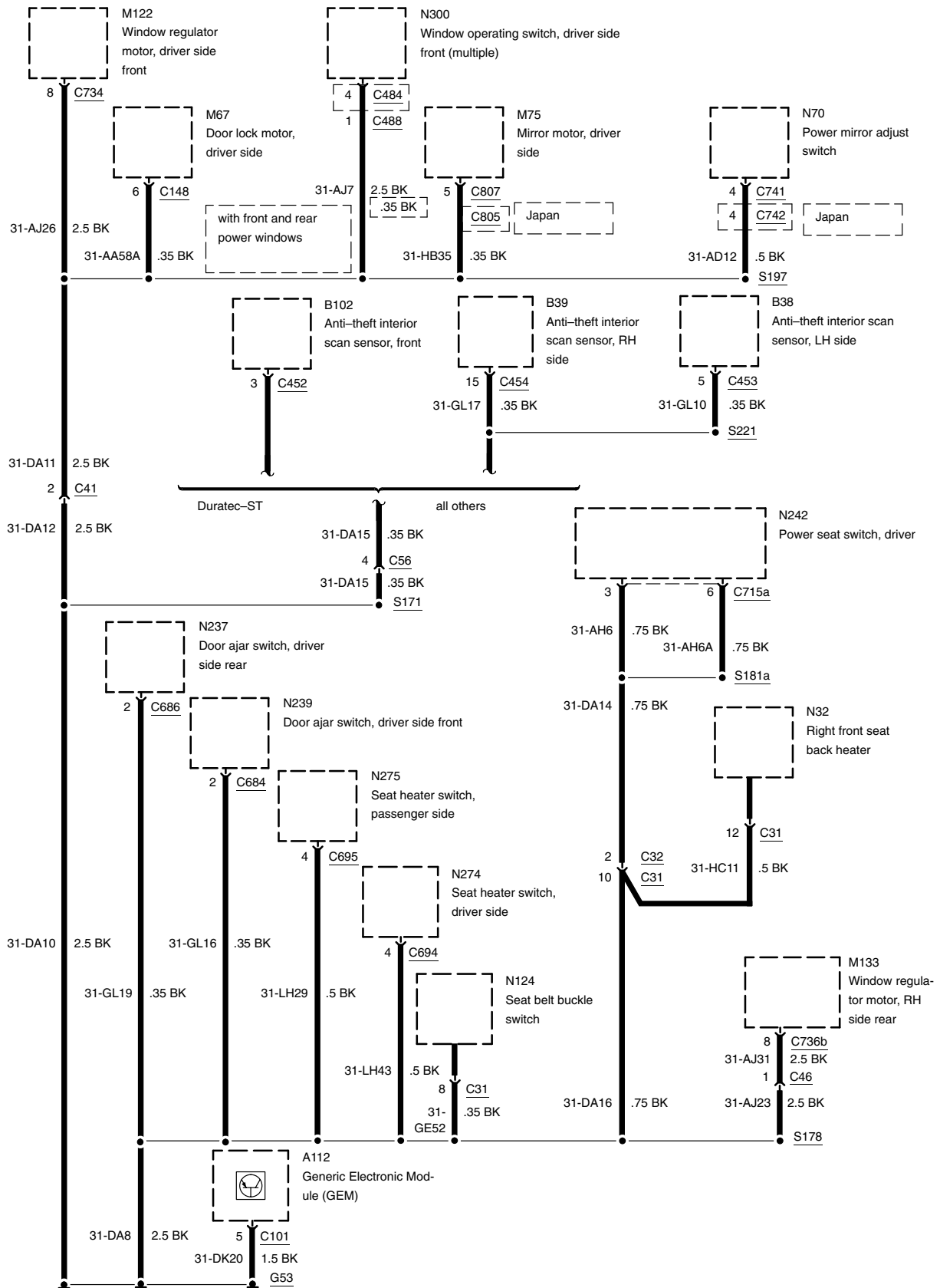
D41  
Trailer socket



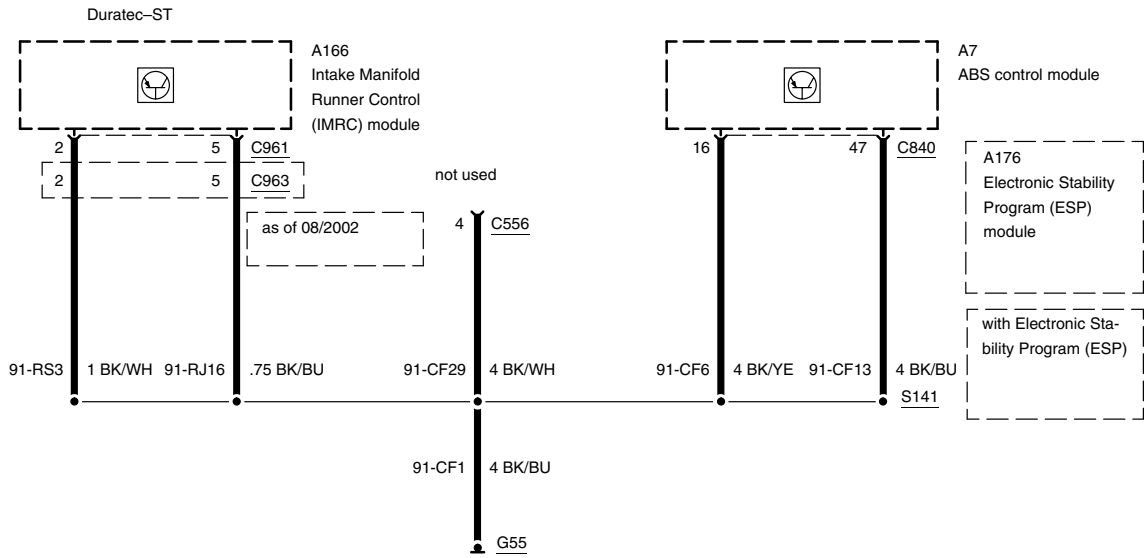
G53, LHD



G53, RHD

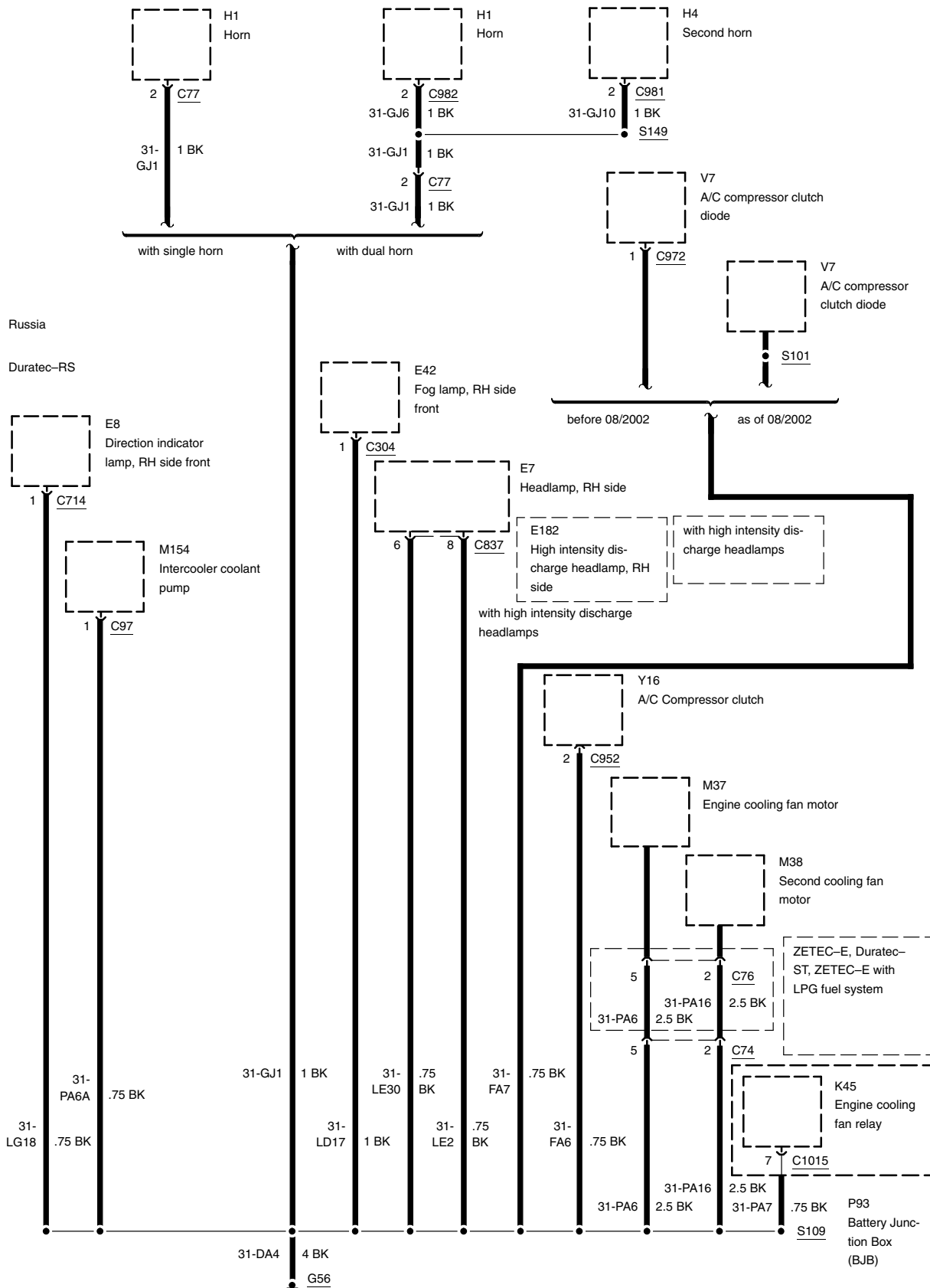


G55

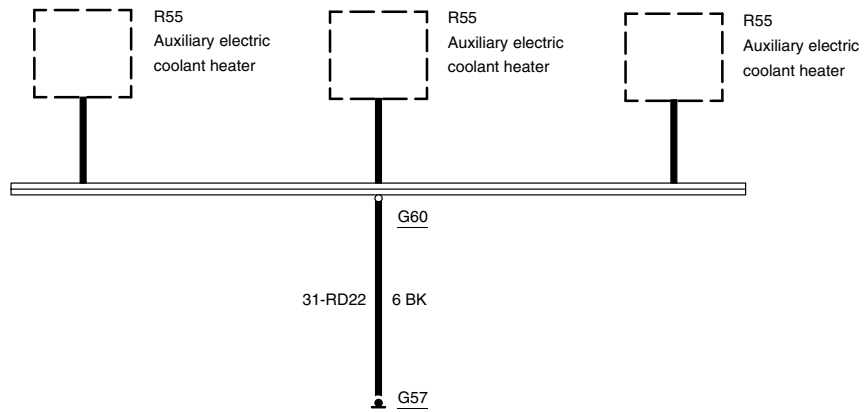


G56

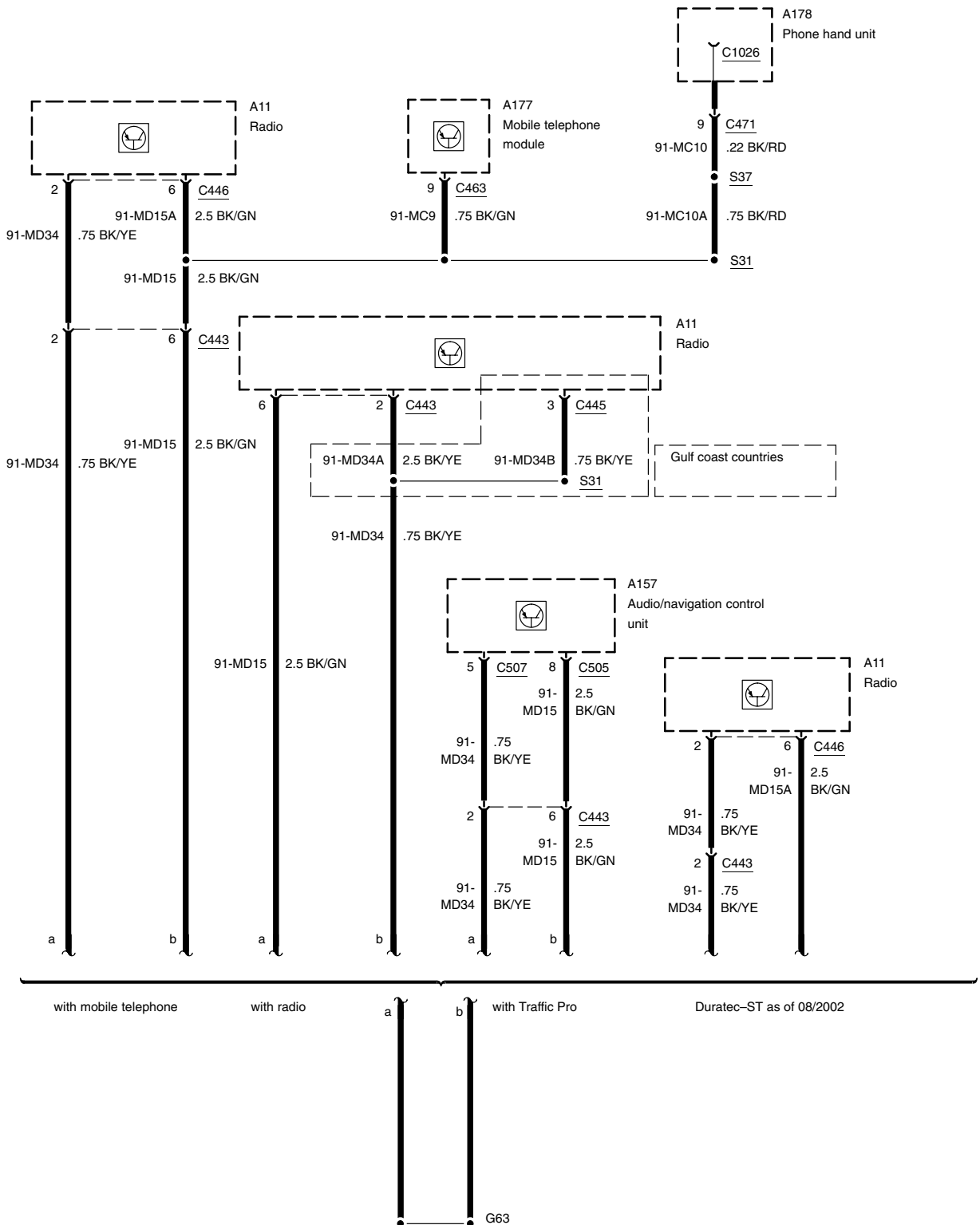
-33



G57, G60

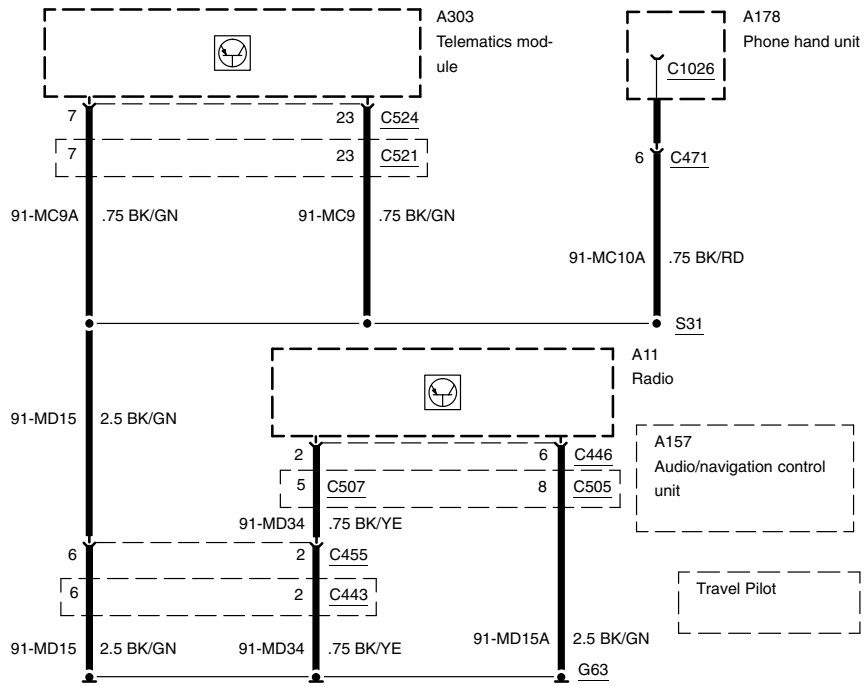


G63, without telematics module, Travel Pilot





G63, with telematics module, Travel Pilot



<b>Components</b>		<b>Section 700-06-00</b>
<b>Location</b>	<b>Page/coordinates</b>	
A7	ABS control module engine compartment, LH side, rear .....	3 - C 2
A7	ABS control module engine compartment, LH side, rear	
A11	Radio dash panel, left-hand-drive .....	25 - E 2
A11	Radio dash panel, right-hand-drive (RHD) .....	25 - E 2
A11	Radio dash panel, right-hand-drive (RHD) .....	26 - A 2
A26	Sunroof unit roof, front, 4-door model .....	39 - C 5
A26	Sunroof unit roof, front, 3-door model/5-door model .....	40 - D 5
A26	Sunroof unit roof, front, wagon .....	41 - C 5
A27	Speed control module engine compartment, rear, centre, ZETEC engines .....	19 - B 2
A29	Air bag module under centre console .....	31 - B 2
A30	Instrument cluster dash panel, LH side, left-hand-drive .....	25 - B 5
A30	Instrument cluster dash panel, LH side, right-hand-drive (RHD) .....	26 - E 4
A31	Fuel tank unit on fuel tank .....	56 - A 2
A37	Trip computer module dash panel, left-hand-drive .....	25 - C 5
A37	Trip computer module dash panel, right-hand-drive (RHD) .....	26 - D 5
A39	Clock dash panel, left-hand-drive .....	25 - D 5
A39	Clock dash panel, right-hand-drive (RHD) .....	26 - C 5
A40	Transmission hardware unit automatic transmission, front, ZETEC-SE .....	9 - E 1
A40	Transmission hardware unit automatic transmission, front, ZETEC-E	
A42	Driver air bag unit in steering wheel	
A43	Passenger air bag unit in dash panel, passenger side	
A74	Diesel pump unit engine, front, RH side, Endura-TDDi .....	15 - B 3
A102	Passive anti-theft transceiver module on steering column .....	33 - B 3

<b>Components</b>	<b>Location</b>	<b>Section 700-06-00</b>	<b>Page/coordinates</b>
A112	Generic Electronic Module (GEM) RH A-pillar . . . . .		35 – C 4
A116	Seat belt tensioner, passenger seat passenger's seat		
A117	Seat belt tensioner, driver seat driver's seat		
A128	Heater control module dash panel, left-hand-drive . . . . .		25 – D 2
A128	Heater control module dash panel, right-hand-drive (RHD) . . . . .		26 – C 2
A144	CD changer under passenger's seat		
A147	Powertrain control module (PCM) RH A-pillar . . . . .		35 – F 4
A148	Power mirror fold module behind dash panel, LH side		
A151	Antenna roof		
A154	Side air bag module, RH side under RH front seat . . . . .		37 – B 4
A155	Side air bag module, LH side under LH front seat . . . . .		37 – C 1
A157	Audio/navigation control unit dash panel, left-hand-drive . . . . .		25 – E 5
A157	Audio/navigation control unit dash panel, right-hand-drive (RHD) . . . . .		26 – B 5
A158	Remote control antenna behind dash panel		
A164	Microphone A-pillar, driver side		
A166	Intake Manifold Runner Control (IMRC) module in intake system		
A176	Electronic Stability Program (ESP) module engine compartment, LH side, rear . . . . .		3 – C 2
A177	Mobile telephone module behind dash panel, centre		
A178	Phone hand unit dash panel		
A185	Gas tank gauge in luggage compartment		
A195	Fuel pump driver module under rear seats, RH side		
A196	Battery backup sounder engine compartment		
A201	Trailer tow control unit behind luggage compartment lining, LH side		

Components		Section 700-06-00
	Location	Page/coordinates
A205	Electronic Automatic Temperature Control (EATC) module dash panel, left-hand-drive	25 - C 1
A205	Electronic Automatic Temperature Control (EATC) module dash panel, right-hand-drive (RHD)	26 - E 1
A208	Restraints Control Module (RCM) under centre console	
A260	Antenna, triplex roof	
A265	Parking aid module in luggage compartment, LH side	
A303	Telematics module behind dash panel	
A313	Injector Driver Module (IDM) engine compartment, front, LH side, Duratorq TDCi	13 - E 1
A313	Injector Driver Module (IDM) engine compartment, front, LH side, Duratorq TDCi	
A323	High intensity discharge headlamp control module/levelling sensor engine compartment, RH side	2 - E 2
A328	Auxiliary instrument cluster dash panel, left-hand-drive	25 - C 5
A328	Auxiliary instrument cluster dash panel, right-hand-drive (RHD)	26 - D 5
A330	Flexible fuel module under rear seats	
A341	LPG control module RH A-pillar	
B2	Manifold Absolute Pressure (MAP) sensor engine compartment, rear, centre, Endura-TDDi	20 - F 5
B2	Manifold Absolute Pressure (MAP) sensor engine compartment, rear, centre	20 - F 5
B2	Manifold Absolute Pressure (MAP) sensor engine compartment, rear, centre, Duratorq TDCi	20 - F 5
B5	Air Charge Temperature (ACT) sensor engine compartment, LH side	
B6	Coolant temperature sensor engine compartment, LH side, front	
B8	Throttle Position Sensor (TPS) on intake system, ZETEC-SE	8 - B 3
B8	Throttle Position Sensor (TPS) on intake system, ZETEC-SE	9 - C 5
B8	Throttle Position Sensor (TPS) on intake system, ZETEC-E	12 - D 5
B8	Throttle Position Sensor (TPS) on intake system	
B10	Engine Coolant Temperature (ECT) sensor engine	

<b>Components</b>		<b>Section 700-06-00</b>
<b>Location</b>	<b>Page/coordinates</b>	
B11	Vehicle speed sensor (VSS) transmission, ZETEC-E .....	12 - C 1
B11	Vehicle speed sensor (VSS) transmission .....	12 - C 1
B11	Vehicle speed sensor (VSS) on intake system, ZETEC-E .....	12 - C 1
B11	Vehicle speed sensor (VSS) transmission, Duratorq TDCi .....	14 - B 2
B11	Vehicle speed sensor (VSS) transmission .....	14 - B 2
B11	Vehicle speed sensor (VSS) transmission, Endura-TDDi .....	16 - B 1
B11	Vehicle speed sensor (VSS) transmission, ZETEC-SE	
B11	Vehicle speed sensor (VSS) transmission, Duratec-ST	
B11	Vehicle speed sensor (VSS) transmission, Duratec-RS	
B11	Vehicle speed sensor (VSS) transmission	
B14	Wheel speed sensor, RH side front wheelwell, front, RH side .....	18 - B 4
B15	Wheel speed sensor, LH side front wheelwell, front, LH side .....	18 - B 4
B16	Wheel speed sensor, RH side rear wheelwell, rear, RH side	
B17	Wheel speed sensor, LH side rear wheelwell, rear, LH side	
B22	Mass Air Flow (MAF) sensor on intake system, ZETEC-SE .....	17 - D 5
B22	Mass Air Flow (MAF) sensor on intake system, ZETEC-E .....	17 - B 5
B22	Mass Air Flow (MAF) sensor on intake system, ZETEC-SE .....	17 - B 5
B22	Mass Air Flow (MAF) sensor on intake system, Duratorq TDCi	
B22	Mass Air Flow (MAF) sensor on intake system, Duratec-ST	
B22	Mass Air Flow (MAF) sensor on intake system	
B29	Ice warning sensor front of vehicle, centre .....	1 - C 3
B36	Steering position sensor on steering column	
B38	Anti-theft interior scan sensor, LH side LH B-pillar, 4-door model .....	39 - D 2

<b>Components</b>		<b>Section 700-06-00</b>
<b>Location</b>		<b>Page/coordinates</b>
B38	Anti-theft interior scan sensor, LH side LH B-pillar, 3-door model/5-door model .....	40 – E 2
B38	Anti-theft interior scan sensor, LH side LH B-pillar, wagon .....	41 – C 2
B39	Anti-theft interior scan sensor, RH side LH B-pillar, 4-door model .....	39 – B 4
B39	Anti-theft interior scan sensor, RH side LH B-pillar, 3-door model/5-door model .....	40 – B 5
B39	Anti-theft interior scan sensor, RH side LH B-pillar, wagon .....	41 – B 4
B40	Exhaust Pressure Transducer (EPT) sensor engine compartment, rear, centre	
B41	Camshaft position sensor engine, top, ZETEC-E .....	12 – C 5
B41	Camshaft position sensor engine, top, ZETEC-SE	
B41	Camshaft position sensor engine, top, Duratec-ST	
B41	Camshaft position sensor engine, Duratec-RS	
B41	Camshaft position sensor engine, Duratec 8V	
B41	Camshaft position sensor engine, top, Duratorq TDCi	
B43	Crankshaft position sensor engine, front, ZETEC-SE .....	8 – D 1
B43	Crankshaft position sensor engine, front, ZETEC-SE .....	9 – C 1
B43	Crankshaft position sensor engine, front, ZETEC-E .....	10 – C 1
B43	Crankshaft position sensor engine, front, ZETEC-E .....	11 – C 1
B43	Crankshaft position sensor engine, rear, Duratorq TDCi .....	14 – C 1
B43	Crankshaft position sensor engine, rear, Endura-TDDi .....	16 – D 1
B43	Crankshaft position sensor engine, rear, Duratec-ST	
B43	Crankshaft position sensor engine, Duratec-RS	
B43	Crankshaft position sensor engine	
B43	Crankshaft position sensor engine, front, ZETEC-E	
B44	Turbine Shaft Speed (TSS) sensor automatic transmission, top, ZETEC-SE .....	9 – F 2

<b>Components</b>		<b>Section 700-06-00</b>
<b>Location</b>		<b>Page/coordinates</b>
B44	Turbine Shaft Speed (TSS) sensor automatic transmission, top, ZETEC-E	
B45	Knock sensor engine, front, ZETEC-SE .....	8 - B 1
B45	Knock sensor engine, Duratorq TDCi .....	14 - E 1
B45	Knock sensor engine, front, ZETEC-E	
B45	Knock sensor engine, front, Duratec-ST	
B45	Knock sensor engine, front, ZETEC-SE	
B64	Intake air temperature sensor in intake system, Endura-TDDi .....	15 - B 1
B64	Intake air temperature sensor in intake system, Duratorq TDCi	
B70	Barometric Absolute Pressure (BAP) sensor RH A-pillar	
B72	Sunload sensor dash panel, centre	
B89	Pre-catalyst heated oxygen sensor (HO2S) in exhaust system, ZETEC-E .....	10 - B 2
B89	Pre-catalyst heated oxygen sensor (HO2S) in exhaust system .....	10 - B 2
B89	Pre-catalyst heated oxygen sensor (HO2S) in exhaust system .....	11 - B 2
B89	Pre-catalyst heated oxygen sensor (HO2S) in exhaust system, ZETEC-E .....	11 - B 2
B89	Pre-catalyst heated oxygen sensor (HO2S) in exhaust system, ZETEC-SE	
B89	Pre-catalyst heated oxygen sensor (HO2S) in exhaust system, ZETEC-E	
B89	Pre-catalyst heated oxygen sensor (HO2S) in exhaust system, Duratec-ST	
B89	Pre-catalyst heated oxygen sensor (HO2S) in exhaust system, Duratec-RS	
B89	Pre-catalyst heated oxygen sensor (HO2S) in exhaust system	
B90	Post-catalyst heated oxygen sensor (HO2S) in exhaust system, ZETEC-E .....	11 - D 1
B90	Post-catalyst heated oxygen sensor (HO2S) in exhaust system, ZETEC-SE	
B90	Post-catalyst heated oxygen sensor (HO2S) in exhaust system, ZETEC-E	
B90	Post-catalyst heated oxygen sensor (HO2S) in exhaust system, Duratec-ST	

**Components****Section 700-06-00****Location****Page/coordinates**

B90	Post-catalyst heated oxygen sensor (HO2S) in exhaust system, Duratec-RS	
B102	Anti-theft interior scan sensor, front roof, front	
B108	Boost pressure sensor engine compartment, LH side	
B109	Fuel temperature sensor engine compartment, RH side	13 - B 4
B110	Output Shaft Speed (OSS) sensor automatic transmission, rear, ZETEC-SE	9 - B 1
B110	Output Shaft Speed (OSS) sensor automatic transmission, rear, ZETEC-E	
B118	Side air bag sensor, RH side under RH front seat	
B119	Side air bag sensor, LH side under LH front seat	
B120	Transmission range sensor automatic transmission, front, ZETEC-SE	9 - D 1
B120	Transmission range sensor automatic transmission, front, ZETEC-E	9 - D 1
B120	Transmission range sensor automatic transmission, front	
B120	Transmission range sensor automatic transmission, front, ZETEC-E	
B129	Accelerator pedal position sensor on accelerator pedal support, Endura-TDDi	
B129	Accelerator pedal position sensor on accelerator pedal support, Duratorq TDCi	
B135	Cylinder-head temperature sensor cylinder head, ZETEC-SE	8 - C 5
B135	Cylinder-head temperature sensor cylinder head, ZETEC-E	12 - F 4
B135	Cylinder-head temperature sensor cylinder head, Duratorq TDCi	13 - E 3
B135	Cylinder-head temperature sensor cylinder head, Endura-TDDi	15 - D 1
B135	Cylinder-head temperature sensor cylinder head, Duratec-RS	
B135	Cylinder-head temperature sensor cylinder head	
B135	Cylinder-head temperature sensor cylinder head, ZETEC-SE	
B136	Exhaust gas recirculation (EGR) valve position sensor engine, top, Endura-TDDi	16 - D 5
B137	Battery temperature sensor on intake system, Endura-TDDi	17 - E 5



<b>Components</b>		<b>Section 700-06-00</b>
<b>Location</b>		<b>Page/coordinates</b>
B140	Primary brake pressure sensor engine compartment	
B142	Temperature manifold absolute pressure sensor in intake system, ZETEC-SE .....	8 - A 5
B142	Temperature manifold absolute pressure sensor in intake system	
B168	Parking aid sensor, rear, outer left rear bumper	
B169	Parking aid sensor, rear, inner left rear bumper	
B170	Parking aid sensor, rear, inner right rear bumper	
B171	Parking aid sensor, rear, outer right rear bumper	
B173	Mass Air Flow (MAF) sensor 2 in intake system	
B174	Yaw rate acceleration sensor vehicle floor, RH side .....	37 - C 4
B178	Primary brake pressure sensor 2 engine compartment	
B186	Oil pressure/temperature sensor engine, rear	
B225	Fuel rail pressure transducer sensor engine compartment, Duratorq TDCi .....	13 - B 5
B225	Fuel rail pressure transducer sensor engine compartment	
B229	Forward crash sensor engine compartment, front, centre	
B244	Headlamp levelling sensor, rear rear axle	
B246	Discharge temperature sensor, floor heating/air conditioning housing, left-hand-drive .....	29 - F 3
B246	Discharge temperature sensor, floor heating/air conditioning housing, right-hand-drive (RHD) .....	30 - A 3
B247	Discharge temperature sensor, panel heating/air conditioning housing, left-hand-drive .....	29 - E 5
B247	Discharge temperature sensor, panel heating/air conditioning housing, right-hand-drive (RHD) .....	30 - A 4
D20	Data Link Connector (DLC) on Central Junction Box (CJB)	
D41	Trailer socket rear bumper, centre	
D47	High intensity discharge headlamp diagnostic connector engine compartment, LH side .....	3 - E 4
D48	Data link connector (LPG) RH A-pillar	

**Components****Section 700-06-00**

	<b>Location</b>	<b>Page/coordinates</b>
E1	Headlamp, LH side engine compartment, LH side, front .....	3 – F 4
E3	Direction indicator lamp, LH side front front bumper	
E7	Headlamp, RH side engine compartment, RH side, front .....	2 – C 5
E8	Direction indicator lamp, RH side front front bumper	
E9	Rear lamp assembly, LH side vehicle rear end, LH side, 3-door model .....	45 – B 5
E9	Rear lamp assembly, LH side vehicle rear end, LH side, 4-door model .....	47 – B 4
E9	Rear lamp assembly, LH side vehicle rear end, LH side, 5-door model .....	49 – C 5
E9	Rear lamp assembly, LH side LH D-pillar, wagon .....	51 – B 4
E10	Rear lamp assembly, RH side vehicle rear end, RH side, 3-door model .....	44 – E 5
E10	Rear lamp assembly, RH side vehicle rear end, RH side, 4-door model .....	46 – E 5
E10	Rear lamp assembly, RH side vehicle rear end, RH side, 5-door model .....	48 – E 5
E10	Rear lamp assembly, RH side RH D-pillar, wagon .....	50 – E 4
E18	Interior lamp, front in roof panel, front, 4-door model .....	39 – B 2
E18	Interior lamp, front in roof panel, front, 3-door model/5-door model .....	40 – C 2
E18	Interior lamp, front in roof panel, front, wagon .....	41 – B 2
E19	Interior lamp, rear in roof panel, centre, 4-door model .....	39 – D 5
E19	Interior lamp, rear in roof panel, centre, 3-door model/5-door model .....	40 – E 5
E19	Interior lamp, rear in roof panel, centre, wagon .....	41 – D 5
E28	Glove box lamp in glove box	
E30	LH Vanity mirror lamp roof, front, LH side, 4-door model .....	39 – C 1
E30	LH Vanity mirror lamp roof, front, LH side, 3-door model/5-door model .....	40 – D 1
E30	LH Vanity mirror lamp roof, front, LH side, wagon .....	41 – C 1
E31	RH Vanity mirror lamp roof, front, LH side, 4-door model .....	39 – A 3

<b>Components</b>		<b>Section 700-06-00</b>
<b>Location</b>		<b>Page/coordinates</b>
E31	RH Vanity mirror lamp roof, front, LH side, 3-door model/5-door model .....	40 – A 3
E31	RH Vanity mirror lamp roof, front, LH side, wagon .....	41 – A 4
E34	LH Licence plate lamp in decklid, 4-door model .....	52 – B 4
E34	LH Licence plate lamp in tailgate, 3-door model/5-door model .....	53 – C 5
E34	LH Licence plate lamp in tailgate, wagon .....	54 – C 5
E35	RH Licence plate lamp in decklid, 4-door model .....	52 – C 5
E35	RH Licence plate lamp in tailgate, 3-door model/5-door model .....	53 – E 5
E35	RH Licence plate lamp in tailgate, wagon .....	54 – E 5
E39	Ashtray illumination lamp dash panel, centre	
E42	Fog lamp, RH side front front of vehicle, RH side .....	1 – D 2
E43	Fog lamp, LH side front front of vehicle, LH side .....	1 – C 2
E44	Side direction indicator lamp, RH side fender, RH side	
E45	Side direction indicator lamp, LH side fender, LH side .....	4 – E 5
E48	RH Rear direction indicator lamp RH C-pillar, 3-door model .....	44 – E 4
E48	RH Rear direction indicator lamp RH C-pillar, 5-door model .....	48 – E 5
E49	LH Rear direction indicator lamp RH C-pillar, 3-door model .....	45 – B 4
E49	LH Rear direction indicator lamp RH C-pillar, 5-door model .....	49 – C 4
E57	Luggage compartment lamp in luggage compartment, LH side, 3-door model .....	45 – F 4
E57	Luggage compartment lamp in luggage compartment, LH side, 4-door model .....	47 – B 1
E57	Luggage compartment lamp in luggage compartment, LH side, 5-door model .....	49 – E 4
E61	LH Front footwell lamp in LH front footwell	
E62	RH Front footwell lamp in RH front footwell	
E69	Heater panel illumination lamp dash panel, left-hand-drive .....	25 – C 2

**Components****Section 700-06-00**

	<b>Location</b>	<b>Page/coordinates</b>
E69	Heater panel illumination lamp dash panel, left-hand-drive .....	25 – E 2
E69	Heater panel illumination lamp dash panel, right-hand-drive (RHD) .....	26 – D 2
E69	Heater panel illumination lamp dash panel, right-hand-drive (RHD) .....	26 – B 1
E86	Rear fog lamp, RH side rear bumper .....	55 – B 2
E87	Cargo space lamp in roof panel, rear, wagon .....	41 – E 5
E89	Rear fog lamp, LH side rear bumper .....	55 – E 2
E105	Reversing lamp, left rear bumper .....	55 – E 2
E109	Reversing lamp, right rear bumper .....	55 – B 2
E174	High mounted stop lamp in decklid, 4-door model .....	52 – D 1
E174	High mounted stop lamp in tailgate, 3-door model/5-door model .....	53 – E 1
E174	High mounted stop lamp in tailgate, wagon .....	54 – D 1
E181	High intensity discharge headlamp, LH side engine compartment, LH side, front .....	3 – F 4
E182	High intensity discharge headlamp, RH side engine compartment, RH side, front .....	2 – C 5
H1	Horn front of vehicle, LH side .....	1 – B 2
H4	Second horn front of vehicle, LH side	
H5	Anti-theft horn in luggage compartment, LH side, 3-door model .....	45 – E 5
H5	Anti-theft horn in luggage compartment, LH side, 4-door model .....	47 – C 1
H5	Anti-theft horn in luggage compartment, LH side, 5-door model .....	49 – E 4
H5	Anti-theft horn in luggage compartment, LH side, wagon .....	51 – B 2
K1	Rear window heater relay in Central Junction Box (CJB) .....	58 – E 3
K4	Fuel pump relay in Battery Junction Box (BJB) .....	60 – E 4
K5	Daytime Running Lamps (DRL) relay in Battery Junction Box (BJB) .....	60 – C 1
K13	Power hold relay in Battery Junction Box (BJB) .....	60 – E 3

<b>Components</b>		<b>Section 700-06-00</b>
<b>Location</b>	<b>Page/coordinates</b>	
K22	Starter relay in Central Junction Box (CJB) .....	58 – C 5
K32	A/C Wide Open Throttle (WOT) relay in Battery Junction Box (BJB) .....	60 – B 2
K33	Horn relay in Central Junction Box (CJB) .....	58 – B 2
K34	Headlamp cleaning relay in Battery Junction Box (BJB) .....	60 – E 4
K36	Low beam relay in Battery Junction Box (BJB) .....	60 – B 4
K37	High beam relay in Battery Junction Box (BJB) .....	60 – B 4
K41	Ignition relay in Battery Junction Box (BJB) .....	60 – D 5
K45	Engine cooling fan relay in Battery Junction Box (BJB) .....	60 – D 1
K46	High speed engine cooling fan relay in Battery Junction Box (BJB), except Duratec-RS .....	60 – D 1
K46	High speed engine cooling fan relay in Battery Junction Box (BJB), Duratec-RS .....	60 – C 5
K64	Rear wiper relay in Central Junction Box (CJB) .....	58 – C 5
K70	Pre-glow relay Diesel in Battery Junction Box (BJB) .....	60 – B 2
K84	Engine run relay in Battery Junction Box (BJB) .....	60 – E 1
K115	Battery saver relay in Central Junction Box (CJB) .....	58 – E 2
K125	Rear fog lamp cutoff relay in Central Junction Box (CJB) .....	58 – E 2
K160	Cigar lighter relay in Central Junction Box (CJB) .....	58 – E 4
K162	Windshield wiper relay in Central Junction Box (CJB) .....	58 – D 5
K164	Heated windshield relay in Battery Junction Box (BJB) .....	60 – C 5
K166	Glow plug heater relay 1 in Battery Junction Box (BJB) .....	60 – E 5
K167	Glow plug heater relay 2 in Battery Junction Box (BJB) .....	60 – E 2
K219	Injection pump power (IPP) relay in Battery Junction Box (BJB) .....	60 – E 4
K274	Main relay (LPG) engine compartment, rear	
K281	Injector cutoff relay engine compartment, rear	

**Components****Section 700-06-00**

<b>Location</b>		<b>Page/coordinates</b>
K285	Intercooler coolant pump relay in Battery Junction Box (BJB) .....	60 – E 2
M3	Heater blower motor heating/air conditioning housing, left-hand-drive .....	27 – E 1
M3	Heater blower motor heating/air conditioning housing, right-hand-drive (RHD) .....	28 – B 2
M3	Heater blower motor heating/air conditioning housing, left-hand-drive	
M3	Heater blower motor heating/air conditioning housing, right-hand-drive (RHD)	
M5	Headlamp washer pump wheelwell, LH side, rear .....	4 – D 2
M8	Starter motor engine compartment	
M9	Rear window wiper motor in tailgate, 3-door model/5-door model .....	53 – D 3
M9	Rear window wiper motor in tailgate, wagon .....	54 – D 3
M37	Engine cooling fan motor on radiator	
M38	Second cooling fan motor on radiator	
M45	Front seat height motor under driver's seat	
M67	Door lock motor, driver side in driver's door .....	42 – E 3
M68	Door lock motor, passenger side in passenger's door .....	42 – E 3
M69	Recirculation air actuator heating/air conditioning housing, left-hand-drive .....	27 – E 5
M69	Recirculation air actuator heating/air conditioning housing, right-hand-drive (RHD) .....	28 – C 5
M69	Recirculation air actuator heating/air conditioning housing, left-hand-drive .....	29 – C 3
M69	Recirculation air actuator heating/air conditioning housing, right-hand-drive (RHD) .....	30 – D 5
M74	Two-way washer pump motor wheelwell, LH side, rear .....	4 – F 2
M75	Mirror motor, driver side in driver's door .....	42 – B 4
M76	Mirror motor, passenger side in passenger's door .....	42 – B 4
M77	Door lock motor passenger side rear in RH rear door, left-hand-drive .....	43 – F 4
M77	Door lock motor passenger side rear in LH rear door, right-hand-drive (RHD) .....	43 – F 4

<b>Components</b>		<b>Section 700-06-00</b>
	<b>Location</b>	<b>Page/coordinates</b>
M78	Door lock motor driver side rear in LH rear door, left-hand-drive .....	43 – F 4
M78	Door lock motor driver side rear in RH rear door, right-hand-drive (RHD) .....	43 – F 4
M111	Windshield wiper motor engine bulkhead, centre, left-hand-drive .....	23 – C 4
M111	Windshield wiper motor engine bulkhead, centre, right-hand-drive (RHD) .....	24 – D 4
M122	Window regulator motor, driver side front in driver's door .....	42 – C 1
M123	Window regulator motor, passenger side front in passenger's door .....	42 – C 1
M132	Window regulator motor, LH side rear in LH rear door .....	43 – F 3
M133	Window regulator motor, RH side rear in RH rear door .....	43 – F 3
M154	Intercooler coolant pump engine compartment, front	
M158	Driver seat height motor under driver's seat	
M159	Passenger seat height motor under passenger's seat	
M210	Defrost mode actuator heating/air conditioning housing, left-hand-drive .....	29 – E 5
M210	Defrost mode actuator heating/air conditioning housing, right-hand-drive (RHD) .....	30 – B 4
M249	Air temperature mode actuator heating/air conditioning housing, left-hand-drive .....	29 – E 2
M249	Air temperature mode actuator heating/air conditioning housing, right-hand-drive (RHD) .....	30 – A 2
M250	Panel/floor mode actuator heating/air conditioning housing, left-hand-drive .....	29 – F 4
M250	Panel/floor mode actuator heating/air conditioning housing, right-hand-drive (RHD) .....	30 – A 3
M253	Variable geometry turbo actuator engine compartment, Duratorq TDCi	
N1	Brake fluid level switch engine compartment, LH side, rear .....	3 – B 4
N17	Oil pressure switch engine, front, ZETEC-SE .....	8 – B 2
N17	Oil pressure switch engine, front, ZETEC-SE .....	9 – C 2
N17	Oil pressure switch engine, rear, ZETEC-E .....	12 – E 1
N17	Oil pressure switch engine, front, Duratorq TDCi .....	13 – E 5

**Components****Section 700-06-00**

	<b>Location</b>	<b>Page/coordinates</b>
N17	Oil pressure switch engine, front, Endura-TDDi .....	15 - D 5
N17	Oil pressure switch engine, front, Duratec-RS	
N17	Oil pressure switch engine, front, Duratec 8V	
N21	Engine compartment switch front of vehicle, centre .....	1 - D 5
N22	Tailgate/decklid switch in decklid, 4-door model .....	52 - D 5
N22	Tailgate/decklid switch in tailgate, 3-door model/5-door model .....	53 - D 5
N22	Tailgate/decklid switch in tailgate, 3-door model .....	53 - D 5
N22	Tailgate/decklid switch in tailgate, wagon .....	54 - D 5
N29	Left front seat cushion heater in driver's seat face, left-hand-drive	
N29	Left front seat cushion heater in passenger's seat face, right-hand-drive (RHD)	
N30	Right front seat cushion heater in driver's seat face, left-hand-drive	
N30	Right front seat cushion heater in passenger's seat face, right-hand-drive (RHD)	
N31	Left front seat back heater in driver's seat back rest, left-hand-drive	
N31	Left front seat back heater in passenger's seat back rest, right-hand-drive (RHD)	
N32	Right front seat back heater in passenger's seat back rest, left-hand-drive	
N32	Right front seat back heater in driver's seat back rest, right-hand-drive (RHD)	
N49	Hazard flasher switch dash panel, left-hand-drive .....	25 - D 5
N49	Hazard flasher switch dash panel, right-hand-drive (RHD) .....	26 - C 5
N54	Horn switch in steering wheel	
N63	Park brake switch under centre console .....	31 - D 1
N70	Power mirror adjust switch in driver's door .....	42 - C 4
N73	Heater blower switch dash panel, left-hand-drive .....	25 - D 2
N73	Heater blower switch dash panel, right-hand-drive (RHD) .....	26 - B 1



<b>Components</b>		<b>Section 700-06-00</b>
<b>Location</b>	<b>Page/coordinates</b>	
N78 Steering wheel/speed control switch in steering wheel		
N81 Clutch pedal position switch on clutch pedal support, manual transmission	32 – D 3	
N82 Brake pedal position switch on brake pedal support, manual transmission	32 – C 5	
N82 Brake pedal position switch on brake pedal support, automatic transmission	32 – C 5	
N83 Traction Control System (TCS) disable switch centre console	31 – E 4	
N89 Low cleaning water level switch wheelwell, LH side, rear	4 – C 3	
N90 Direction indicator switch on steering column	33 – E 5	
N93 Gearshift lever unit centre console		
N96 Power steering pressure switch engine compartment, ZETEC-SE, manual transmission	8 – A 2	
N96 Power steering pressure switch engine compartment, ZETEC-SE, automatic transmission	9 – B 3	
N96 Power steering pressure switch engine compartment, ZETEC-E, manual transmission	10 – A 2	
N96 Power steering pressure switch engine compartment, ZETEC-E, manual transmission	11 – A 2	
N96 Power steering pressure switch engine compartment, ZETEC-E, automatic transmission		
N96 Power steering pressure switch engine compartment, Duratec-ST		
N96 Power steering pressure switch engine compartment, Duratec-RS		
N96 Power steering pressure switch engine compartment, Duratec 8V		
N98 Tailgate/decklid anti-theft inhibit switch in tailgate, wagon	54 – E 4	
N104 Wiper/washer switch on steering column	33 – C 5	
N120 Light switch dash panel, LH side, left-hand-drive	25 – B 2	
N120 Light switch dash panel, RH side, right-hand-drive (RHD)	26 – E 3	
N124 Seat belt buckle switch driver's seat, left-hand-drive		
N124 Seat belt buckle switch driver's seat, right-hand-drive (RHD)		
N126 A/C high-pressure switch engine compartment, RH side, front	2 – C 2	

Components		Section 700-06-00
	Location	Page/coordinates
N155	Tailgate/decklid release switch dash panel, LH side, left-hand-drive	25 - A 2
N155	Tailgate/decklid release switch dash panel, RH side, right-hand-drive (RHD)	26 - E 3
N214	Radio remote control switch on steering column	33 - D 5
N230	Sunroof adjust switch roof, front, 4-door model	39 - B 5
N230	Sunroof adjust switch roof, front, 3-door model/5-door model	40 - C 5
N230	Sunroof adjust switch roof, front, wagon	41 - C 5
N237	Door ajar switch, driver side rear RH C-pillar	37 - E 5
N237	Door ajar switch, driver side rear LH C-pillar	38 - D 5
N238	Door ajar switch, passenger side rear RH C-pillar	37 - E 5
N238	Door ajar switch, passenger side rear LH C-pillar	37 - E 5
N238	Door ajar switch, passenger side rear LH C-pillar	38 - D 5
N238	Door ajar switch, passenger side rear RH C-pillar	38 - D 5
N239	Door ajar switch, driver side front RH B-pillar	37 - C 5
N239	Door ajar switch, driver side front LH B-pillar	38 - E 4
N240	Door ajar switch, passenger side front RH B-pillar	37 - C 5
N240	Door ajar switch, passenger side front LH B-pillar	37 - C 5
N240	Door ajar switch, passenger side front LH B-pillar	38 - E 4
N240	Door ajar switch, passenger side front RH B-pillar	38 - E 4
N242	Power seat switch, driver driver's seat	
N243	Power seat switch, passenger passenger's seat	
N246	A/C low-pressure switch engine compartment, rear, RH side, ZETEC-SE, left-hand-drive	21 - C 3
N246	A/C low-pressure switch engine compartment, rear, RH side, ZETEC-E, left-hand-drive	21 - F 5
N246	A/C low-pressure switch engine compartment, rear, RH side, Endura-TDDi, left-hand-drive	21 - D 3

<b>Components</b>		<b>Section 700-06-00</b>
<b>Location</b>		<b>Page/coordinates</b>
N246	A/C low-pressure switch engine compartment, rear, RH side, ZETEC-SE, right-hand-drive (RHD) . . . . .	22 - C 3
N246	A/C low-pressure switch engine compartment, rear, RH side, ZETEC-E, right-hand-drive (RHD) . . . . .	22 - D 4
N246	A/C low-pressure switch engine compartment, rear, RH side, Endura-TDDi, right-hand-drive (RHD) . . . . .	22 - D 3
N246	A/C low-pressure switch engine compartment, rear, RH side, Duratorq TDCi	
N246	A/C low-pressure switch engine compartment, rear, RH side, Duratec-ST	
N246	A/C low-pressure switch engine compartment, rear, RH side, Duratec-RS	
N246	A/C low-pressure switch engine compartment, rear, RH side, Duratec 8V	
N274	Seat heater switch, driver side centre console, left-hand-drive . . . . .	31 - B 4
N274	Seat heater switch, driver side centre console, right-hand-drive (RHD) . . . . .	31 - B 4
N275	Seat heater switch, passenger side centre console, left-hand-drive . . . . .	31 - B 4
N275	Seat heater switch, passenger side centre console, right-hand-drive (RHD) . . . . .	31 - B 4
N276	Transmission switch transmission, front, ZETEC-SE . . . . .	8 - E 1
N276	Transmission switch transmission, ZETEC-SE . . . . .	8 - E 1
N276	Transmission switch transmission, front, ZETEC-E . . . . .	10 - D 1
N276	Transmission switch transmission, ZETEC-E . . . . .	10 - D 1
N276	Transmission switch transmission, front, ZETEC-E . . . . .	11 - F 2
N276	Transmission switch transmission, ZETEC-E . . . . .	11 - F 2
N276	Transmission switch transmission, Duratorq TDCi . . . . .	13 - F 2
N276	Transmission switch transmission, front, Duratorq TDCi . . . . .	13 - F 2
N276	Transmission switch transmission, front, Endura-TDDi . . . . .	15 - F 2
N276	Transmission switch transmission, Endura-TDDi . . . . .	15 - F 2
N276	Transmission switch transmission, front, Duratec-ST	
N276	Transmission switch transmission, front, Duratec-RS	

<b>Components</b>		<b>Section 700-06-00</b>
<b>Location</b>		<b>Page/coordinates</b>
N276	Transmission switch transmission, front, Duratec 8V	
N278	Ignition switch on steering column . . . . .	33 – E 3
N289	Thermo switch, outside temperature engine compartment, front . . . . .	1 – E 4
N297	Window operating switch, passenger side front in passenger's door . . . . .	42 – E 4
N298	Window operating switch, LH side rear in LH rear door . . . . .	43 – B 3
N299	Window operating switch, RH side rear in RH rear door . . . . .	43 – B 3
N300	Window operating switch, driver side front (multiple) in driver's door . . . . .	42 – E 4
N316	Inertia Fuel Shutoff (IFS) switch RH A-pillar . . . . .	35 – C 3
N318	Stop lamp switch on brake pedal support, manual transmission . . . . .	32 – C 2
N318	Stop lamp switch on brake pedal support, automatic transmission . . . . .	32 – C 2
N346	Electronic Stability Program (ESP) switch centre console . . . . .	31 – E 4
N349	Cooling fan run-on thermo switch engine compartment, LH side, front . . . . .	6 – B 3
N358	Demisting switch behind dash panel, centre, left-hand-drive . . . . .	25 – D 1
N358	Demisting switch behind dash panel, centre, right-hand-drive (RHD) . . . . .	26 – C 2
N366	Start switch centre console	
N370	Fuel selection switch centre console	
O1	Battery engine compartment, LH side	
O5	Generator engine, ZETEC-SE . . . . .	8 – B 4
O5	Generator engine, ZETEC-SE . . . . .	9 – B 4
O5	Generator engine, ZETEC-E . . . . .	12 – E 2
O5	Generator engine, Duratorq TDCi . . . . .	13 – B 1
O5	Generator engine, Endura-TDDi . . . . .	15 – B 2
O5	Generator engine, Duratec-ST	

<b>Components</b>		<b>Section 700-06-00</b>
<b>Location</b>	<b>Page/coordinates</b>	
O5	Generator engine, Duratec-RS	
O5	Generator engine, Duratec 8V	
O9	Power point 1 centre console, rear	31 – E 2
P1	Busbar in Central Junction Box (CJB)	
P13	Clock spring on steering column	33 – C 2
P20	Glow plugs engine, front, Endura-TDDi	
P20	Glow plugs engine, front, Duratorq TDCi	
P91	Central Junction Box (CJB) behind dash panel, LH side	34 – D 1
P93	Battery Junction Box (BJB) engine compartment, LH side, rear	3 – C 5
P136	Spark plugs cylinder head	
R19	Rear window heater rear window, 4-door model	46 – C 5
R19	Rear window heater rear window, 3-door model/5-door model	53 – B 2
R19	Rear window heater rear window, wagon	54 – A 2
R21	Heater blower series resistor heating/air conditioning housing, left-hand-drive	27 – D 1
R21	Heater blower series resistor heating/air conditioning housing, right-hand-drive (RHD)	28 – C 2
R27	Engine cooling fan resistor engine compartment, front, centre	
R42	Cigar lighter, front dash panel, left-hand-drive	25 – B 5
R42	Cigar lighter, front dash panel, right-hand-drive (RHD)	26 – E 5
R50	Booster heater engine compartment, rear, centre	20 – C 2
R51	Windshield washer jet heater, LH side under hood, LH side	5 – D 2
R52	Windshield washer jet heater, RH side under hood, RH side	5 – B 1
R53	Windshield heater, LH side engine bulkhead, LH side	
R54	Windshield heater, RH side engine bulkhead, LH side	

Components		Section 700-06-00
	Location	Page/coordinates
R55	Auxiliary electric coolant heater engine compartment, rear, centre .....	20 - B 1
R57	Resistor in luggage compartment, LH side	
R68	Wire resistance engine compartment, rear, LH side	
T1	Ignition coil engine, ZETEC-SE .....	8 - E 5
T1	Ignition coil engine, ZETEC-SE .....	9 - E 5
T1	Ignition coil engine, ZETEC-E .....	10 - D 5
T1	Ignition coil engine, ZETEC-E .....	10 - D 5
T1	Ignition coil engine, ZETEC-E .....	11 - D 5
T1	Ignition coil engine, Duratec-ST	
T1	Ignition coil engine, Duratec-RS	
T1	Ignition coil engine, Duratec 8V	
V7	A/C compressor clutch diode engine compartment, RH side, front .....	2 - B 5
V33	Diode in Battery Junction Box (BJB) .....	60 - B 3
V67	Diode 1 RH A-pillar	
V68	Diode 2 RH A-pillar	
V69	Diode 3 RH A-pillar	
Y1	Canister purge solenoid valve in intake system	
Y13	Idle speed control valve on intake system, ZETEC-SE .....	8 - B 5
Y13	Idle speed control valve on intake system, ZETEC-SE .....	9 - B 5
Y13	Idle speed control valve on intake system, ZETEC-E .....	12 - B 4
Y13	Idle speed control valve on intake system, Duratec-ST	
Y13	Idle speed control valve on intake system, Duratec-RS	
Y13	Idle speed control valve on intake system, Duratec 8V	

<b>Components</b>	<b>Location</b>	<b>Section 700-06-00</b>	<b>Page/coordinates</b>
Y16	A/C Compressor clutch engine compartment, RH side, front .....		1 – E 1
Y17	Left rear speaker in LH rear door, 4-door model, wagon, 5-door model .....		43 – E 2
Y17	Left rear speaker LH B-pillar, 3-door model .....		45 – E 3
Y18	Right front speaker in passenger's door .....		42 – B 1
Y18	Right front speaker in driver's door .....		42 – B 1
Y19	Right rear speaker in RH rear door, 4-door model, wagon, 5-door model .....		43 – E 2
Y19	Right rear speaker RH B-pillar, 3-door model .....		44 – B 4
Y28	Left front speaker in driver's door .....		42 – B 1
Y28	Left front speaker in passenger's door .....		42 – B 1
Y33	Electr. Vacuum Regulator (EVR) solenoid valve engine, Duratorq TDCi .....		14 – E 5
Y33	Electr. Vacuum Regulator (EVR) solenoid valve engine compartment, rear, centre, Endura-TDDi .....		14 – E 5
Y33	Electr. Vacuum Regulator (EVR) solenoid valve engine compartment, rear, centre, Endura-TDDi .....		20 – B 4
Y33	Electr. Vacuum Regulator (EVR) solenoid valve engine compartment, rear, centre, ZETEC engines		
Y33	Electr. Vacuum Regulator (EVR) solenoid valve engine, Duratorq TDCi		
Y108	Injector 1 in intake system		
Y109	Injector 2 in intake system		
Y110	Injector 3 in intake system		
Y111	Injector 4 in intake system		
Y130	Camshaft timing actuator cylinder head		
Y131	Evaporative emission (EVAP) canister vent valve engine compartment, rear, RH side, left-hand-drive .....		21 – C 5
Y131	Evaporative emission (EVAP) canister vent valve engine compartment, rear, RH side, left-hand-drive .....		21 – E 5
Y131	Evaporative emission (EVAP) canister vent valve engine compartment, rear, RH side, right-hand-drive (RHD) .....		22 – C 5
Y131	Evaporative emission (EVAP) canister vent valve engine compartment, rear, RH side, right-hand-drive (RHD) .....		22 – F 5

**Components****Section 700-06-00****Location****Page/coordinates**

Y131	Evaporative emission (EVAP) canister vent valve engine compartment, rear, RH side	
Y161	LPG shutoff valve engine compartment	
Y163	Parking aid speaker, rear in luggage compartment, LH side	
Y164	Air shutoff throttle solenoid valve engine, Duratorq TDCi .....	14 – D 5
Y165	Fuel metering valve engine, Duratorq TDCi .....	13 – A 3
Y166	Boost pressure solenoid valve engine, Duratorq TDCi .....	14 – C 5
Y166	Boost pressure solenoid valve engine, Duratec-RS	
Y174	Tank cutoff valve (LPG) in luggage compartment	
Y176	Gas injector 1 engine, top	
Y177	Gas injector 2 engine, top	
Y178	Gas injector 3 engine, top	
Y179	Gas injector 4 engine, top	
Y208	Subwoofer in luggage compartment	



## Connectors

## Section 700-06-00

	<b>Location</b>	<b>Page/coordinates</b>
C10	on Central Junction Box (CJB) .....	57 – C 5
C13	on Central Junction Box (CJB) .....	57 – E 5
C14	on Central Junction Box (CJB) .....	57 – E 4
C15	on Central Junction Box (CJB) .....	57 – E 3
C16	on Central Junction Box (CJB) .....	57 – D 1
C17	on Central Junction Box (CJB) .....	57 – E 2
C18	on Central Junction Box (CJB) .....	57 – E 3
C21	under rear seats	
C30	under driver's seat .....	37 – B 2
C31	under passenger's seat .....	37 – B 2
C32	under driver's seat	
C34	engine bulkhead, LH side	
C35	under passenger's seat	
C41	LH A-pillar, left-hand-drive .....	42 – B 3
C41	RH A-pillar, right-hand-drive (RHD) .....	42 – B 3
C42	LH A-pillar, left-hand-drive .....	42 – B 3
C42	RH A-pillar, right-hand-drive (RHD) .....	42 – B 3
C43	RH A-pillar, left-hand-drive .....	42 – B 2
C43	LH A-pillar, right-hand-drive (RHD) .....	42 – B 2
C44	RH A-pillar, left-hand-drive .....	42 – B 2
C44	LH A-pillar, right-hand-drive (RHD) .....	42 – B 2
C45	LH B-pillar .....	43 – B 2
C46	RH B-pillar .....	43 – B 2
C47	in luggage compartment, LH side, 3-door model	
C47	in luggage compartment, LH side, 4-door model	
C47	in luggage compartment, LH side, 5-door model	
C48	in luggage compartment, LH side, 3-door model .....	45 – D 5
C48	in luggage compartment, LH side, 4-door model .....	47 – E 4
C48	in luggage compartment, LH side, 5-door model .....	49 – F 4
C48	in luggage compartment, LH side, wagon .....	51 – E 4
C50	in luggage compartment, LH side, 4-door model .....	47 – E 1
C50	in luggage compartment, LH side, 5-door model .....	49 – C 1
C50	in luggage compartment, LH side, wagon .....	51 – C 1
C51a	LH A-pillar .....	36 – C 2
C51b	LH A-pillar .....	36 – C 2
C54	wheelwell, rear, RH side	
C55	roof, front, LH side	
C56	in luggage compartment, LH side, 3-door model .....	45 – D 1
C56	in luggage compartment, LH side, 4-door model .....	47 – E 5
C56	in luggage compartment, LH side, 5-door model .....	49 – E 1
C56	in luggage compartment, LH side, wagon .....	51 – E 1
C57	LH A-pillar, left-hand-drive	
C57	RH A-pillar, right-hand-drive (RHD)	
C61	RH A-pillar .....	35 – E 1
C62	RH A-pillar .....	35 – E 1
C63	RH A-pillar .....	35 – E 1

## Connectors

## Section 700-06-00

	Location	Page/coordinates
C64	RH A-pillar	35 – E 1
C66	behind dash panel, centre	
C67	behind dash panel, centre, left-hand-drive	27 – C 5
C67	behind dash panel, centre, right-hand-drive (RHD)	28 – D 5
C68	under centre console	
C70	LH A-pillar	
C71	LH A-pillar	
C74	engine compartment, LH side, front	6 – B 5
C74	engine compartment, LH side, front	6 – E 4
C74	engine compartment, LH side, front	7 – C 5
C74	engine compartment, LH side, front	7 – E 4
C74	engine compartment, LH side, front	
C76	engine compartment, LH side, front	6 – D 5
C77	front of vehicle, LH side	1 – B 2
C79	wheelwell, LH side, rear	4 – D 1
C80	engine compartment, LH side, rear	3 – A 2
C81	engine compartment, LH side, rear	3 – B 2
C82	engine	
C86	engine	
C88	engine	
C90	engine, ZETEC-SE, left-hand-drive	21 – A 5
C90	engine, ZETEC-E, left-hand-drive	21 – D 5
C90	engine, ZETEC-SE, left-hand-drive	21 – D 5
C90	engine, ZETEC-SE, right-hand-drive (RHD)	22 – A 5
C90	engine, ZETEC-E, right-hand-drive (RHD)	22 – D 5
C90	engine, Duratec-ST	
C90	engine, Duratec-RS	
C90	engine, Duratec 8V	
C93	engine compartment, LH side, Duratorq TDCi	13 – F 3
C94	engine compartment, LH side, Duratorq TDCi	13 – F 3
C94	engine compartment, LH side, Duratorq TDCi	
C95	engine compartment, LH side, ZETEC-SE	8 – F 3
C95	engine compartment, LH side, ZETEC-SE	9 – F 4
C95	engine compartment, LH side, ZETEC-E	10 – F 4
C95	engine compartment, LH side, ZETEC-E	10 – F 4
C95	engine compartment, LH side, ZETEC-E	11 – E 5
C95	engine compartment, LH side, ZETEC-E	11 – E 5
C95	engine compartment, LH side, Endura-TDDi	15 – F 3
C95	engine compartment, LH side, ZETEC-E, automatic transmission	
C95	engine compartment, LH side, ZETEC-E	
C95	engine compartment, LH side, Duratec-ST	
C95	engine compartment, LH side, Duratec-RS	
C95	engine compartment, LH side, Duratec 8V	
C95	engine compartment, LH side, ZETEC-E, automatic transmission	
C95	engine compartment, LH side, Endura-TDDi	
C95	engine compartment, LH side, ZETEC-E	

## Connectors

## Section 700-06-00

	<b>Location</b>	<b>Page/coordinates</b>
C96	engine compartment, LH side, ZETEC-SE .....	9 - F 3
C96	engine compartment, LH side, ZETEC-E	
C97	engine compartment, LH side, front	
C98	engine compartment, LH side, front	
C99	engine compartment, LH side, front	
C101	RH A-pillar .....	35 - C 4
C102	RH A-pillar .....	35 - C 4
C103	RH A-pillar .....	35 - C 4
C104	RH A-pillar .....	35 - C 4
C105	RH A-pillar .....	35 - C 4
C107	in decklid, 4-door model .....	52 - D 1
C107	in tailgate, 3-door model/5-door model .....	53 - E 1
C107	in tailgate, wagon .....	54 - D 1
C110	on starter	
C120	engine compartment, LH side .....	3 - D 2
C148	in driver's door .....	42 - E 3
C149	in passenger's door .....	42 - E 3
C150	in LH rear door, left-hand-drive .....	43 - F 4
C150	in RH rear door, right-hand-drive (RHD) .....	43 - F 4
C151	in LH rear door, left-hand-drive .....	43 - F 4
C151	in RH rear door, right-hand-drive (RHD) .....	43 - F 4
C199	engine compartment, LH side .....	3 - E 4
C200	on steering column	
C210	RH A-pillar	
C302	front of vehicle, LH side .....	1 - C 2
C304	front of vehicle, RH side .....	1 - D 2
C320	dash panel, LH side, left-hand-drive .....	25 - B 2
C320	dash panel, RH side, right-hand-drive (RHD) .....	26 - E 3
C346	engine compartment, LH side	
C351	engine compartment, RH side, Duratorq TDCi .....	13 - B 4
C352	engine, top, Duratorq TDCi	
C353	engine compartment, Duratorq TDCi .....	13 - B 5
C354	cylinder head, Duratorq TDCi	
C355	cylinder head, Duratorq TDCi	
C356	cylinder head, Duratorq TDCi	
C357	cylinder head, Duratorq TDCi	
C358	engine, front, Duratorq TDCi .....	13 - A 3
C359	engine compartment, RH side, Duratorq TDCi .....	13 - A 3
C360	engine compartment, Duratorq TDCi .....	14 - C 5
C361	engine compartment, Duratorq TDCi .....	14 - D 5
C375	heating/air conditioning housing, left-hand-drive .....	29 - C 3
C375	heating/air conditioning housing, right-hand-drive (RHD) .....	30 - D 5
C376	dash panel, left-hand-drive .....	25 - D 1
C376	dash panel, right-hand-drive (RHD) .....	26 - C 2
C380	dash panel, left-hand-drive .....	25 - D 2
C380	dash panel, left-hand-drive .....	25 - C 1

## Connectors

## Section 700-06-00

	<b>Location</b>	<b>Page/coordinates</b>
C380	dash panel, left-hand-drive .....	25 - C 1
C380	dash panel, right-hand-drive (RHD) .....	26 - E 1
C380	dash panel, right-hand-drive (RHD) .....	26 - C 2
C380	dash panel, right-hand-drive (RHD) .....	26 - E 1
C390	on steering column .....	33 - B 3
C405	RH A-pillar	
C406	RH A-pillar	
C414	RH A-pillar .....	35 - F 4
C415	RH A-pillar .....	35 - F 4
C416	RH A-pillar .....	35 - F 4
C417	engine compartment, front, LH side, Duratorq TDCi .....	13 - E 1
C418	engine compartment, front, LH side, Duratorq TDCi .....	13 - E 1
C419	engine compartment, front, LH side, Duratorq TDCi .....	13 - E 1
C420	engine compartment, front, centre	
C423	under centre console .....	31 - B 2
C424	under centre console .....	31 - B 2
C425	in dash panel, passenger side	
C426	in dash panel, passenger side	
C427	under LH front seat	
C428	under RH front seat	
C430	rear bumper, RH side .....	55 - B 2
C430	rear bumper, RH side .....	55 - B 2
C430	rear bumper, RH side .....	55 - B 2
C434	rear bumper, LH side .....	55 - E 2
C434	rear bumper, LH side .....	55 - E 2
C434	rear bumper, LH side .....	55 - E 2
C437	on steering column .....	33 - D 5
C438	automatic transmission, front, ZETEC-SE .....	9 - D 1
C438	automatic transmission, front, ZETEC-E	
C439	automatic transmission, front, ZETEC-SE .....	9 - E 1
C439	automatic transmission, front, ZETEC-E	
C440	A-pillar, driver side	
C441	on steering column .....	33 - C 5
C442	behind dash panel	
C443	behind dash panel	
C444	on brake pedal support, manual transmission .....	32 - C 2
C444	on brake pedal support, automatic transmission .....	32 - C 2
C445	behind dash panel	
C446	behind dash panel	
C447	behind dash panel	
C450	behind dash panel	
C452	roof, LH side	
C453	LH B-pillar, 4-door model .....	39 - D 2
C453	LH B-pillar, 3-door model/5-door model .....	40 - E 1
C453	LH B-pillar, wagon .....	41 - C 2
C454	LH B-pillar, 4-door model .....	39 - B 4

**Connectors****Section 700-06-00**

	<b>Location</b>	<b>Page/coordinates</b>
C454	RH B-pillar, 3-door model/5-door model .....	40 – B 5
C454	RH B-pillar, wagon .....	41 – B4
C455	behind dash panel	
C456	on steering column .....	33 – E 3
C457	behind dash panel, centre	
C458	dash panel, left-hand-drive .....	25 – D 5
C458	dash panel, right-hand-drive (RHD) .....	26 – C 5
C459	on steering column .....	33 – E 5
C460	dash panel, left-hand-drive .....	25 – D 5
C460	dash panel, right-hand-drive (RHD) .....	26 – C 5
C461	LH C-pillar, 3-door model .....	45 – B 4
C461	LH C-pillar, 5-door model .....	49 – C 4
C462	RH C-pillar, 3-door model .....	44 – E 4
C462	RH C-pillar, 5-door model .....	48 – E 5
C463	behind dash panel, centre	
C464	behind dash panel, centre	
C465	under passenger's seat	
C466	behind dash panel, centre	
C467	dash panel, left-hand-drive .....	25 – C 5
C467	dash panel, right-hand-drive (RHD) .....	26 – D 5
C469	dash panel, left-hand-drive .....	25 – D 2
C469	dash panel, right-hand-drive (RHD) .....	26 – B 1
C470	behind dash panel, centre, left-hand-drive .....	27 – D 1
C470	behind dash panel, centre, right-hand-drive (RHD) .....	28 – C 2
C471	behind dash panel, centre	
C472	vehicle rear end, LH side, 3-door model .....	45 – B 5
C472	vehicle rear end, LH side, 5-door model .....	49 – C 5
C473	vehicle rear end, RH side, 3-door model .....	44 – E 5
C473	vehicle rear end, RH side, 5-door model .....	48 – E 5
C474	LH D-pillar .....	51 – B 4
C475	RH D-pillar, wagon .....	50 – E 4
C476	vehicle rear end, LH side, 4-door model .....	47 – B 4
C477	vehicle rear end, RH side, 4-door model .....	46 – E 5
C482a	in LH rear door .....	43 – B 3
C482b	in RH rear door .....	43 – B 3
C484	in driver's door .....	42 – E 4
C485	in passenger's door .....	42 – E 4
C488	in driver's door	
C489	in passenger's door	
C493	dash panel, left-hand-drive .....	25 – C 2
C493	dash panel, left-hand-drive .....	25 – E 2
C493	dash panel, right-hand-drive (RHD) .....	26 – D 2
C493	dash panel, right-hand-drive (RHD) .....	26 – B 1
C494	in decklid, 4-door model .....	52 – B 4
C494	in tailgate, 3-door model/5-door model .....	53 – C 5
C494	in tailgate, wagon .....	54 – C 5

## Connectors

## Section 700-06-00

	<b>Location</b>	<b>Page/coordinates</b>
C495	in decklid, 4-door model . . . . .	52 – B 4
C495	in tailgate, 3-door model/5-door model . . . . .	53 – C 5
C495	in tailgate, wagon . . . . .	54 – C 5
C496	in decklid, 4-door model . . . . .	52 – C 5
C496	in tailgate, 3-door model/5-door model . . . . .	53 – E 5
C496	in tailgate, wagon . . . . .	54 – E 5
C497	in decklid, 4-door model . . . . .	52 – C 5
C497	in tailgate, 3-door model/5-door model . . . . .	53 – E 5
C497	in tailgate, wagon . . . . .	54 – E 5
C505	behind dash panel	
C506	behind dash panel	
C507	behind dash panel	
C508	behind dash panel	
C509	behind dash panel	
C510	behind dash panel	
C511	behind dash panel, centre	
C521	behind dash panel	
C522	in roof panel, front, 4-door model . . . . .	39 – B 5
C522	in roof panel, front, 3-door model/5-door model . . . . .	40 – C 5
C522	in roof panel, front, wagon . . . . .	41 – C 5
C524	behind dash panel	
C525	in roof panel, front, 4-door model . . . . .	39 – C 5
C525	in roof panel, front, 3-door model/5-door model . . . . .	40 – D 5
C525	in roof panel, front, wagon . . . . .	41 – C 5
C531	dash panel, centre	
C532	heating/air conditioning housing, left-hand-drive . . . . .	29 – E 5
C532	heating/air conditioning housing, right-hand-drive (RHD) . . . . .	30 – B 4
C533	heating/air conditioning housing, left-hand-drive . . . . .	29 – F 4
C533	heating/air conditioning housing, right-hand-drive (RHD) . . . . .	30 – A 3
C534	heating/air conditioning housing, left-hand-drive . . . . .	29 – E 2
C534	heating/air conditioning housing, right-hand-drive (RHD) . . . . .	30 – A 2
C535	heating/air conditioning housing, left-hand-drive . . . . .	29 – E 5
C535	heating/air conditioning housing, right-hand-drive (RHD) . . . . .	30 – A 4
C536	heating/air conditioning housing, left-hand-drive . . . . .	29 – F 3
C536	heating/air conditioning housing, right-hand-drive (RHD) . . . . .	30 – A 3
C537	heating/air conditioning housing	
C538	heating/air conditioning housing, left-hand-drive . . . . .	29 – C 3
C538	heating/air conditioning housing, right-hand-drive (RHD) . . . . .	30 – D 5
C539	dash panel, left-hand-drive . . . . .	25 – C 1
C539	dash panel, right-hand-drive (RHD) . . . . .	26 – E 1
C541	heating/air conditioning housing, left-hand-drive . . . . .	29 – C 1
C541	heating/air conditioning housing, right-hand-drive (RHD) . . . . .	30 – E 5
C555	engine compartment, LH side . . . . .	3 – D 5
C556	engine compartment, LH side . . . . .	3 – D 5
C602	centre console, rear . . . . .	31 – E 2
C632	in tailgate, wagon . . . . .	54 – E 4

## Connectors

## Section 700-06-00

	<b>Location</b>	<b>Page/coordinates</b>
C634	engine bulkhead, centre, left-hand-drive .....	23 – D 4
C634	engine bulkhead, centre, right-hand-drive (RHD) .....	24 – D 4
C639	driver's seat	
C640	passenger's seat	
C641	engine, ZETEC-SE .....	8 – E 5
C641	engine, ZETEC-SE .....	9 – E 5
C641	engine, ZETEC-E, without LPG fuel system .....	10 – D 5
C641	engine, ZETEC-E .....	10 – D 5
C641	engine, ZETEC-E, without LPG fuel system .....	11 – D 5
C641	engine, ZETEC-E, with LPG fuel system .....	11 – D 5
C641	engine, Duratec-ST	
C641	engine, Duratec-RS	
C641	engine, Duratec 8V	
C643	engine, front, ZETEC-SE .....	8 – D 1
C643	engine, front, ZETEC-SE .....	9 – C 1
C643	engine, front, ZETEC-E .....	10 – C 1
C643	engine, rear, Duratorq TDCi .....	14 – C 1
C643	engine, front, Endura-TDDi .....	16 – D 1
C643	engine, front, Duratec-ST	
C643	engine, front, Duratec-RS	
C643	engine, front, Duratec 8V	
C643	engine, front, ZETEC-E	
C644	engine compartment, ZETEC-SE .....	8 – A 2
C644	engine compartment, ZETEC-SE .....	9 – B 3
C644	engine compartment, ZETEC-E .....	10 – A 2
C644	engine compartment, ZETEC-E, automatic transmission .....	10 – A 2
C644	engine compartment, Duratec-ST	
C644	engine compartment, Duratec-RS	
C644	engine compartment, Duratec 8V	
C644	engine compartment, ZETEC-E	
C644	engine compartment, ZETEC-E, automatic transmission	
C648	on accelerator pedal support	
C653	engine compartment, LH side, front	
C655	in intake system, Endura-TDDi .....	15 – B 1
C655	in intake system, Duratorq TDCi	
C656	on intake system, Endura-TDDi .....	17 – E 5
C656	in intake system, Duratec-RS	
C657	engine, top, Endura-TDDi .....	16 – D 5
C661	engine compartment, rear, centre, Endura-TDDi .....	20 – B 4
C671	engine, top	
C672	engine, top	
C673	engine, top	
C674	engine, top	
C684	RH B-pillar .....	37 – C 5
C684	RH B-pillar .....	37 – C 5
C685	LH B-pillar .....	38 – E 4

## Connectors

## Section 700-06-00

	Location	Page/coordinates
C685	LH B-pillar .....	38 – E 4
C686	RH C-pillar .....	37 – E 5
C686	RH C-pillar .....	37 – E 5
C687	LH C-pillar .....	38 – D 5
C687	LH C-pillar .....	38 – D 5
C692	engine compartment, rear, RH side, ZETEC-SE, left-hand-drive .....	21 – C 3
C692	engine compartment, rear, RH side, ZETEC-E, left-hand-drive .....	21 – F 5
C692	engine compartment, rear, RH side, Endura-TDDi, left-hand-drive .....	21 – D 3
C692	engine compartment, rear, RH side, ZETEC-SE, right-hand-drive (RHD) .....	22 – C 3
C692	engine compartment, rear, RH side, ZETEC-E, right-hand-drive (RHD) .....	22 – D 4
C692	engine compartment, rear, RH side, Endura-TDDi, right-hand-drive (RHD) .....	22 – D 3
C692	engine compartment, rear, RH side, Duratorq TDCi	
C692	engine compartment, rear, RH side, Duratec-ST	
C692	engine compartment, rear, RH side, Duratec-RS	
C692	engine compartment, rear, RH side, Duratec 8V	
C694	centre console .....	31 – B 4
C695	centre console .....	31 – B 4
C703	on intake system, ZETEC-SE .....	8 – B 3
C703	on intake system, ZETEC-SE .....	9 – C 5
C703	on intake system, ZETEC-E .....	12 – D 5
C703	on intake system, ZETEC-E	
C703	on intake system, Duratec-ST	
C703	on intake system, Duratec-RS	
C703	on intake system, Duratec 8V	
C705	on intake system, ZETEC-SE	
C705	on intake system, ZETEC-E	
C713	front bumper	
C714	front bumper	
C715a	driver's seat	
C715b	passenger's seat	
C717	centre console .....	31 – E 4
C718	centre console	
C720	under hood, RH side .....	5 – B 1
C721	under hood, LH side .....	5 – D 2
C725	engine compartment, rear	
C726	engine compartment, rear	
C728	engine, front, RH side, Endura-TDDi .....	15 – B 3
C731	under rear seats, RH side	
C732	on fuel tank .....	56 – A 2
C732	on fuel tank	
C734	in driver's door .....	42 – C 1
C735	in passenger's door .....	42 – C 1
C736a	in LH rear door .....	43 – F 3
C736b	in RH rear door .....	43 – F 3
C741	in driver's door .....	42 – C 4
C742	in driver's door	



**Connectors****Section 700-06-00**

	<b>Location</b>	<b>Page/coordinates</b>
C743	behind dash panel, LH side	
C745	wheelwell, LH side, rear	4 – D 2
C753	fender, LH side	4 – E 5
C754	fender, RH side	
C755	on intake system, Duratec–ST	
C755	on intake system, Duratec–RS	
C756	on intake system, ZETEC–SE	8 – B 5
C756	on intake system, ZETEC–SE	9 – B 5
C756	on intake system, ZETEC–E	12 – B 4
C756	on intake system, Duratec 8V	
C756	on intake system, ZETEC–E	
C761a	under driver's seat	
C761a	under driver's seat	
C761b	under passenger's seat	
C771	in intake system	
C772	in intake system	
C773	in intake system	
C774	in intake system	
C779	engine	
C780	engine compartment, rear, centre, ZETEC–SE	
C780	engine compartment, rear, centre, ZETEC–E	
C782	in driver's door	
C783	in passenger's door	
C789	behind dash panel, centre, left-hand-drive	27 – E 1
C789	behind dash panel, centre, right-hand-drive (RHD)	28 – B 2
C789	behind dash panel, centre, left-hand-drive	
C789	behind dash panel, centre, right-hand-drive (RHD)	
C798	in tailgate, wagon	54 – D 5
C799	dash panel, LH side, left-hand-drive	25 – A 2
C799	dash panel, RH side, right-hand-drive (RHD)	26 – E 3
C800	in decklid, 4-door model	52 – D 5
C800	in tailgate, 3-door model/5-door model	53 – D 5
C800	in tailgate, 3-door model	53 – D 5
C803	engine, top, ZETEC–E	12 – C 5
C803	engine, top, ZETEC–E	12 – C 5
C803	engine, top, ZETEC–SE	
C803	engine, top, Duratec–ST	
C803	engine, top, Duratec–RS	
C803	engine, top, Duratec 8V	
C803	engine, top, ZETEC–E	
C804	engine compartment	
C805	in driver's door	
C806	in passenger's door	
C807	in driver's door	42 – B 4
C808	in passenger's door	42 – B 4
C809	dash panel, LH side, left-hand-drive	25 – B 5

## Connectors

## Section 700-06-00

	<b>Location</b>	<b>Page/coordinates</b>
C809	dash panel, RH side, right-hand-drive (RHD) .....	26 – E 4
C810	engine compartment, LH side, rear .....	3 – B 4
C811	in luggage compartment, LH side, 3-door model .....	45 – E 5
C811	in luggage compartment, LH side, 4-door model .....	47 – C 1
C811	in luggage compartment, LH side, 5-door model .....	49 – E 4
C811	in luggage compartment, LH side, wagon .....	51 – B 2
C813	wheelwell, LH side, rear .....	4 – C 3
C814	wheelwell, front, LH side, rear .....	18 – B 4
C815	wheelwell, front, RH side, rear .....	18 – B 4
C816	wheelwell, rear, LH side	
C817	wheelwell, rear, RH side	
C819	engine compartment	
C820	in luggage compartment, LH side, 3-door model .....	45 – F 4
C820	in luggage compartment, LH side, 4-door model .....	47 – B 1
C820	in luggage compartment, LH side, 5-door model .....	49 – E 4
C821	engine compartment	
C823	transmission, top, Endura-TDDi	
C823	transmission, top, Duratorq TDCi	
C824	on brake pedal support, manual transmission .....	32 – C 5
C824	on brake pedal support, automatic transmission .....	32 – C 5
C825	on clutch pedal support, manual transmission .....	32 – D 3
C825	on clutch pedal support, automatic transmission .....	32 – B 5
C825	on clutch pedal support, manual transmission	
C826	vehicle floor, RH side .....	37 – C 4
C828	wheelwell, LH side, rear .....	4 – F 2
C831	engine compartment, rear, centre, ZETEC engines .....	19 – B 2
C832	transmission	
C833	engine compartment, rear, centre, ZETEC-E, with LPG fuel system .....	20 – F 5
C833	engine compartment, rear, centre, Duratorq TDCi .....	20 – F 5
C833	engine compartment, rear, centre, Duratec-RS .....	20 – F 5
C833	engine compartment, rear, centre, Endura-TDDi	
C836	engine compartment, LH side, front .....	3 – F 4
C837	engine compartment, RH side, front .....	2 – C 5
C838	engine compartment, RH side .....	2 – E 2
C840	engine compartment, LH side, rear .....	3 – C 2
C841	rear axle	
C842	in LH front footwell	
C843	in RH front footwell	
C844	in roof panel, front, LH side, 4-door model .....	39 – C 1
C844	in roof panel, front, LH side, 3-door model/5-door model .....	40 – D 1
C844	in roof panel, front, LH side, wagon .....	41 – C 1
C845	in roof panel, front, RH side, 4-door model .....	39 – A 3
C845	in roof panel, front, RH side, 3-door model/5-door model .....	40 – A 3
C845	in roof panel, front, RH side, wagon .....	41 – A 4
C846	in glove box	
C848	engine bulkhead, centre, left-hand-drive .....	23 – C 4

**Connectors****Section 700-06-00**

	<b>Location</b>	<b>Page/coordinates</b>
C848	engine bulkhead, centre, right-hand-drive (RHD) .....	24 - D 4
C852	dash panel, LH side, left-hand-drive	
C852	dash panel, RH side, right-hand-drive (RHD)	
C853	dash panel, LH side, left-hand-drive .....	25 - C 5
C853	dash panel, RH side, right-hand-drive (RHD) .....	26 - D 5
C854	RH A-pillar	
C855	RH A-pillar	
C856	RH A-pillar	
C864	transmission, front, ZETEC-SE .....	8 - E 1
C864	transmission, front, ZETEC-E .....	10 - D 1
C864	transmission, front, ZETEC-E .....	11 - F 2
C864	transmission, front, Duratorq TDCi .....	13 - F 2
C864	transmission, front, Endura-TDDi .....	15 - F 2
C864	transmission, front, Duratec-ST	
C864	transmission, front, Duratec-RS	
C864	transmission, front, Duratec 8V	
C870	engine, ZETEC-SE .....	8 - B 4
C870	engine, ZETEC-SE .....	9 - B 4
C870	engine, ZETEC-E .....	12 - E 2
C870	engine, Duratorq TDCi .....	13 - B 1
C870	engine, Endura-TDDi .....	15 - B 2
C871	engine	
C875	front of vehicle, centre .....	1 - E 4
C878	engine compartment, rear, centre, Endura-TDDi .....	20 - C 2
C878	engine compartment, rear, centre, Duratorq TDCi .....	20 - C 2
C882	engine compartment, RH side, front .....	2 - C 2
C887	in roof panel, rear, wagon .....	41 - E 5
C888	in roof panel, rear, wagon .....	41 - E 5
C890	in roof panel, front, 4-door model .....	39 - B 2
C890	in roof panel, front, 3-door model/5-door model .....	40 - C 2
C890	in roof panel, front, wagon .....	41 - B 2
C891	in roof panel, centre, 4-door model .....	39 - D 5
C891	in roof panel, centre, 3-door model/5-door model .....	40 - E 5
C891	in roof panel, centre, wagon .....	41 - D 5
C892	in roof panel, centre, 4-door model .....	39 - D 5
C892	in roof panel, centre, 3-door model/5-door model .....	40 - E 5
C892	in roof panel, centre, wagon .....	41 - D 5
C893	engine compartment, LH side	
C894	on intake system, ZETEC-SE .....	17 - D 5
C894	on intake system, ZETEC-E .....	17 - B 5
C894	on intake system, ZETEC-E	
C894	on intake system, Duratorq TDCi	
C894	on intake system, Duratec-ST	
C894	on intake system, Duratec-RS	
C895	in intake system, ZETEC-SE .....	8 - A 5
C895	in intake system, Duratec 8V	

## Connectors

## Section 700-06-00

	<b>Location</b>	<b>Page/coordinates</b>
C896	on steering column . . . . .	33 – C 2
C897	front of vehicle, centre . . . . .	1 – D 5
C898	on steering column . . . . .	33 – C 2
C899	in roof panel, front, 4-door model . . . . .	39 – B 2
C899	in roof panel, front, 3-door model/5-door model . . . . .	40 – C 2
C899	in roof panel, front, wagon . . . . .	41 – B 2
C900	engine compartment, rear, RH side, left-hand-drive . . . . .	21 – C 5
C900	engine compartment, rear, RH side, left-hand-drive . . . . .	21 – E 5
C900	engine compartment, rear, RH side, right-hand-drive (RHD) . . . . .	22 – C 5
C900	engine compartment, rear, RH side, right-hand-drive (RHD) . . . . .	22 – F 5
C900	engine compartment, rear, RH side	
C902	cylinder head, ZETEC-SE . . . . .	8 – C 5
C902	cylinder head	
C903	engine, front, ZETEC-SE . . . . .	8 – B 1
C903	engine, front, ZETEC-E	
C903	engine, front, Duratec-ST	
C903	engine, front, ZETEC-SE	
C904	cylinder head, ZETEC-E . . . . .	12 – F 4
C904	cylinder head	
C904	cylinder head, Duratorq TDCi	
C904	cylinder head, Endura-TDDi	
C904	cylinder head, 85kW Duratorq TDCi	
C905	behind dash panel	
C906	engine compartment	
C907	in luggage compartment	
C908	cylinder head, 85kW Duratorq TDCi . . . . .	14 – E 5
C908	cylinder head, Duratorq TDCi . . . . .	14 – E 5
C911	dash panel, left-hand-drive . . . . .	25 – B 5
C911	dash panel, right-hand-drive (RHD) . . . . .	25 – B 5
C911	dash panel, right-hand-drive (RHD) . . . . .	26 – E 5
C911	dash panel, left-hand-drive . . . . .	26 – E 5
C912	dash panel, left-hand-drive . . . . .	25 – B 5
C912	dash panel, right-hand-drive (RHD) . . . . .	26 – E 5
C913	dash panel, centre	
C920	on steering column	
C921	on steering column	
C928	automatic transmission, top, ZETEC-SE . . . . .	9 – F 2
C928	automatic transmission, top, ZETEC-E	
C929	automatic transmission, rear, ZETEC-SE . . . . .	9 – B 1
C929	automatic transmission, rear, ZETEC-E	
C930	centre console . . . . .	31 – D 1
C931	centre console	
C933	RH A-pillar . . . . .	35 – C 3
C934	engine compartment, front, centre, ZETEC-E . . . . .	10 – B 2
C934	engine compartment, front, centre, ZETEC-E . . . . .	11 – B 2
C934	engine compartment, front, centre, ZETEC-SE	

## Connectors

## Section 700-06-00

	Location	Page/coordinates
C934	engine compartment, front, centre, ZETEC-E	
C934	engine compartment, front, centre, Duratec-ST	
C934	engine compartment, front, centre, Duratec-RS	
C934	engine compartment, front, centre, Duratec 8V	
C935	engine compartment, front, LH side, ZETEC-E	11 - D 1
C935	vehicle floor, RH side, ZETEC-SE	
C935	engine compartment, front, LH side, ZETEC-E	
C935	engine compartment, front, LH side, Duratec-ST	
C935	engine compartment, front, LH side, Duratec-RS	
C937	in driver's door	42 - B 1
C937	in passenger's door	42 - B 1
C938	in passenger's door	42 - B 1
C938	in driver's door	42 - B 1
C939	in LH rear door, 4-door model, wagon, 5-door model	43 - E 2
C939	LH B-pillar, 3-door model	45 - E 3
C940	in RH rear door, 4-door model, wagon, 5-door model	43 - E 2
C940	RH B-pillar, 3-door model	44 - B 4
C949	rear window, 3-door model/5-door model	53 - B 2
C949	rear window, wagon	54 - A 2
C950	rear window	
C951	rear window, 4-door model	46 - C 5
C952	engine compartment, RH side, front	1 - E 1
C953	engine, driver side	
C954	engine, rear, ZETEC-E	12 - E 1
C954	engine, rear, Duratorq TDCi	13 - E 5
C954	engine, rear, Endura-TDDi	15 - D 5
C954	engine, rear, Duratec 8V	
C954	engine, rear, Duratec-ST	
C954	engine, driver side, Duratec-RS	
C955	engine, front, Duratorq TDCi	
C961	in intake system	
C961	in intake system	
C962	engine compartment	
C963	in intake system	
C965	engine compartment, rear, centre, Endura-TDDi	20 - B 1
C966	engine compartment, rear, centre, Endura-TDDi	20 - B 1
C967	engine compartment, rear, centre, Endura-TDDi	20 - B 1
C967	cylinder head, Duratec-ST	
C971	in tailgate, 3-door model/5-door model	53 - D 3
C971	in tailgate, wagon	54 - D 3
C972	engine compartment, RH side, front	2 - B 5
C974	front of vehicle, centre	1 - C 3
C975	RH A-pillar	
C981	front of vehicle, LH side	
C982	front of vehicle, LH side	
C988	engine compartment, LH side, front	6 - B 3

## Connectors

## Section 700-06-00

	Location	Page/coordinates
C989	engine compartment, LH side, front	6 – A 3
C990	in luggage compartment	
C1001	in Battery Junction Box (BJB)	60 – D 5
C1002	in Battery Junction Box (BJB)	60 – E 5
C1003	in Battery Junction Box (BJB)	60 – C 5
C1003	in Battery Junction Box (BJB)	60 – C 5
C1004	in Battery Junction Box (BJB)	60 – E 4
C1005	in Battery Junction Box (BJB)	60 – B 4
C1006	in Battery Junction Box (BJB)	60 – B 4
C1007	in Battery Junction Box (BJB)	60 – E 4
C1007	in Battery Junction Box (BJB)	60 – E 4
C1008	in Battery Junction Box (BJB)	60 – E 3
C1009	in Battery Junction Box (BJB)	60 – B 2
C1010	in Battery Junction Box (BJB)	60 – B 2
C1010	in Battery Junction Box (BJB)	60 – B 2
C1011	in Battery Junction Box (BJB)	60 – B 2
C1012	in Battery Junction Box (BJB)	60 – C 1
C1013	in Battery Junction Box (BJB)	60 – E 1
C1015	in Battery Junction Box (BJB)	60 – D 1
C1016	in Battery Junction Box (BJB)	60 – D 1
C1017	in Central Junction Box (CJB)	58 – C 5
C1018	in Central Junction Box (CJB)	58 – C 5
C1019	in Central Junction Box (CJB)	58 – D 5
C1020	in Central Junction Box (CJB)	58 – E 4
C1023	in Central Junction Box (CJB)	58 – B 2
C1024	in Central Junction Box (CJB)	58 – E 2
C1025	in Central Junction Box (CJB)	58 – E 3
C1026	dash panel	
C2000	engine compartment, LH side	
C2001	engine compartment, RH side	
C2002	rear bumper	
C2003	rear bumper	
C2004	rear bumper	
C2005	rear bumper	
C2006	in luggage compartment, LH side	
C2007	in luggage compartment, LH side	
C2008	in luggage compartment, LH side	
C2009	in luggage compartment, LH side	
C2010	in luggage compartment, LH side	
C2011	LH A-pillar	
C2012	vehicle rear end, bottom	
C2012	engine compartment, LH side	
C2013	vehicle rear end, bottom	
C2013	in luggage compartment, LH side	
C2014	in luggage compartment, LH side	
C2015	behind luggage compartment lining, LH side	

**Connectors****Section 700-06-00****Location****Page/coordinates**

C2016	behind luggage compartment lining, LH side
C2017	in luggage compartment, LH side
C2018	in luggage compartment, LH side
C2018	rear bumper
C2019	in luggage compartment, LH side
C2019	engine compartment, RH side
C2020	in luggage compartment, LH side
C2021	dash panel
C2022	dash panel

## Ground points

## Section 700-06-00

	Location	Page/coordinates
G1	engine compartment, LH side	
G8	cylinder head	
G14	LH A-pillar	
G15	LH A-pillar .....	36 - C 3
G24	RH A-pillar .....	35 - C 1
G27	RH A-pillar	
G34	in tailgate, 3-door model/5-door model .....	53 - F 3
G34	in tailgate .....	53 - F 3
G34	in tailgate .....	54 - F 2
G35	in tailgate, 3-door model/5-door model .....	53 - C 5
G35	in tailgate .....	53 - C 5
G35	in tailgate .....	54 - C 3
G35	in decklid, 4-door model	
G35	in decklid, 4-door model	
G37	engine compartment, LH side, front .....	3 - D 4
G41	RH A-pillar .....	35 - F 2
G46	in luggage compartment, LH side, 3-door model .....	44 - F 4
G46	in luggage compartment, LH side, 3-door model .....	44 - F 4
G46	in luggage compartment, LH side, 4-door model .....	46 - F 4
G46	in luggage compartment, LH side, 4-door model .....	46 - F 4
G46	in luggage compartment, LH side, 5-door model .....	48 - F 3
G46	in luggage compartment, LH side, 5-door model .....	48 - F 3
G46	LH D-pillar, wagon .....	51 - B 3
G46	LH D-pillar, wagon .....	51 - B 3
G47	in luggage compartment, LH side	
G50	on engine bulkhead, LH side	
G51	on engine bulkhead, RH side	
G53	RH A-pillar .....	35 - C 1
G55	engine compartment, LH side .....	3 - E 5
G56	engine compartment, RH side, front .....	2 - D 2
G57	engine compartment, LH side, front	
G60	engine compartment, rear, centre	
G63	behind dash panel, centre	



**Splices****Location**

S2	behind dash panel, centre
S5	behind dash panel, centre
S6	behind dash panel, centre
S7	behind dash panel, centre
S8	behind dash panel
S9	behind dash panel
S10	LH A-pillar
S11	behind dash panel, centre
S12	behind dash panel, centre
S13	behind dash panel
S14	behind dash panel
S16	behind dash panel, LH side, left-hand-drive
S16	behind dash panel, RH side, right-hand-drive (RHD)
S17	behind dash panel, LH side, left-hand-drive
S17	behind dash panel, RH side, right-hand-drive (RHD)
S18	behind dash panel
S19	behind dash panel
S20	behind dash panel
S24	behind dash panel, centre
S27	behind dash panel
S30	behind dash panel, centre
S31	behind dash panel, centre
S32	behind dash panel, centre
S33	behind dash panel, centre
S34	behind dash panel
S35	behind dash panel
S36	behind dash panel
S37	behind dash panel
S38	behind dash panel
S39	behind dash panel
S40	behind dash panel
S41	behind dash panel
S42	behind dash panel
S43	RH A-pillar
S45	behind dash panel
S46	behind dash panel
S47	behind dash panel
S48	behind dash panel, centre
S49	behind dash panel, centre
S50	behind dash panel, centre
S52	RH A-pillar
S53	RH A-pillar
S54	engine compartment, RH side
S55	engine compartment, RH side
S57	RH A-pillar
S59	engine compartment, RH side

**Splices****Location**

S60	behind dash panel, RH side
S61	engine compartment
S63	engine compartment
S66	engine compartment
S67	RH A-pillar
S68	RH A-pillar
S69	RH A-pillar
S70	RH A-pillar
S71	RH A-pillar
S72	engine compartment, LH side
S73	engine compartment, LH side
S74	engine compartment, LH side
S75	RH A-pillar
S84	engine
S87	engine compartment
S90	engine compartment
S92	engine compartment
S93	engine compartment
S94	engine compartment
S95	engine compartment
S96	RH A-pillar
S97	cylinder head
S98	cylinder head
S99a	cylinder head
S99b	cylinder head
S100	cylinder head
S101	engine compartment, RH side, front
S102	engine compartment, LH side, rear
S103	engine compartment, RH side, front
S104	engine compartment, LH side, rear
S105	engine compartment
S106	engine compartment, LH side
S109	engine compartment, LH side
S110	engine compartment, LH side
S111	engine compartment, LH side
S112	engine compartment, LH side
S113	engine compartment, LH side
S114	engine compartment, LH side
S115	engine compartment, LH side
S116	in luggage compartment, LH side, 3-door model/5-door model
S116	in luggage compartment, LH side, 4-door model
S116	in loading space, LH side, wagon
S117	engine compartment, LH side, rear
S118	engine compartment, LH side, rear
S119	engine compartment, LH side, rear
S120	engine compartment, LH side, rear

**Splices****Location**

S121	engine compartment, LH side
S122	under hood
S123	under hood
S124	engine compartment, LH side, rear
S125	engine compartment, LH side, rear
S128	engine compartment, LH side
S133	engine compartment, LH side, rear
S133	engine compartment, RH side, rear
S134	engine compartment, LH side
S135	engine compartment, LH side, rear
S135	engine compartment, RH side, rear
S136	engine compartment, LH side, rear
S136	engine compartment, RH side, rear
S140	engine compartment, LH side, rear
S141	engine compartment, LH side, rear
S145	in luggage compartment
S146	in luggage compartment
S148	engine compartment, front, LH side
S149	engine compartment, front, LH side
S150	roof
S151	roof
S152	RH B-pillar
S153	RH B-pillar
S154	in luggage compartment, LH side
S154	in loading space, LH side
S155	LH A-pillar, driver side
S156	LH A-pillar, driver side
S157	LH B-pillar, passenger side
S160	vehicle floor, RH side
S161	RH A-pillar, passenger side
S163	vehicle floor, RH side
S164	RH A-pillar, passenger side
S166	RH A-pillar, passenger side
S167	RH A-pillar, passenger side
S169	LH A-pillar, driver side
S170	LH A-pillar
S171	RH A-pillar, passenger side
S173	LH A-pillar, driver side
S174	LH B-pillar, passenger side
S177	LH B-pillar, passenger side
S178	RH A-pillar, passenger side
S180	behind dash panel, centre
S181a	under driver's seat
S181b	under passenger's seat
S184	in luggage compartment, LH side
S184	in loading space, LH side

**Splices****Location**

S190	RH A-pillar
S192	LH A-pillar
S194	in passenger's door
S196	in tailgate, 3-door model/5-door model
S196	in decklid, 4-door model
S196	in tailgate, wagon
S197	in driver's door
S200	in driver's door
S201	in driver's door
S202	in passenger's door
S203	in passenger's door
S204	in passenger's door
S205a	in LH rear door
S205b	in RH rear door
S206a	in LH rear door
S206b	in RH rear door
S207a	in LH rear door
S207b	in RH rear door
S208	LH B-pillar, passenger side
S210	in luggage compartment, LH side
S210	in loading space, LH side
S211	in luggage compartment, LH side
S213	roof
S214	roof
S221	roof
S222	roof
S300	behind dash panel
S301	behind dash panel
S302	behind dash panel
S303	behind dash panel, LH side
S304	behind dash panel
S350	behind dash panel
S400	LH side, front
S400	behind dash panel, centre
S450	roof
S506	LH A-pillar
S510	engine compartment
S2000	rear bumper
S2001	rear bumper
S2002	in luggage compartment, LH side
S2003	behind dash panel, LH side

**Fuses****Section 700-06-00**

	<b>Location</b>	<b>Page/coordinates</b>
F1	in Battery Junction Box (BJB) .....	61 – B 5
F3	in Battery Junction Box (BJB) .....	61 – B 4
F4	in Battery Junction Box (BJB) .....	61 – B 4
F5	in Battery Junction Box (BJB) .....	61 – B 4
F6	in Battery Junction Box (BJB) .....	61 – B 4
F7	in Battery Junction Box (BJB) .....	61 – B 4
F8	in Battery Junction Box (BJB) .....	61 – B 3
F9	in Battery Junction Box (BJB) .....	61 – B 3
F10	in Battery Junction Box (BJB) .....	61 – E 3
F11	in Battery Junction Box (BJB) .....	61 – F 3
F12	in Battery Junction Box (BJB) .....	61 – E 2
F13	in Battery Junction Box (BJB) .....	61 – F 2
F14	in Battery Junction Box (BJB) .....	61 – E 2
F15	in Battery Junction Box (BJB) .....	61 – F 2
F16	in Battery Junction Box (BJB) .....	61 – E 2
F17	in Battery Junction Box (BJB) .....	61 – F 1
F18	in Battery Junction Box (BJB) .....	61 – E 1
F20	in Battery Junction Box (BJB) .....	61 – B 3
F21	in Battery Junction Box (BJB) .....	61 – B 3
F22	in Battery Junction Box (BJB) .....	61 – B 2
F23	in Battery Junction Box (BJB) .....	61 – B 2
F24	in Battery Junction Box (BJB) .....	61 – B 2
F25	in Battery Junction Box (BJB) .....	61 – B 2
F26	in Battery Junction Box (BJB) .....	61 – B 2
F27	in Battery Junction Box (BJB) .....	61 – B 1
F28	in Battery Junction Box (BJB) .....	61 – B 1
F29	in Battery Junction Box (BJB) .....	61 – B 1
F30	in Central Junction Box (CJB) .....	59 – B 5
F31	in Central Junction Box (CJB) .....	59 – C 5
F32	in Central Junction Box (CJB) .....	59 – C 5
F33	in Central Junction Box (CJB) .....	59 – C 5
F34	in Central Junction Box (CJB) .....	59 – D 5
F35	in Central Junction Box (CJB) .....	59 – D 5
F36	in Central Junction Box (CJB) .....	59 – D 5
F37	in Central Junction Box (CJB) .....	59 – E 5
F38	in Central Junction Box (CJB) .....	59 – E 5
F39	in Central Junction Box (CJB) .....	59 – E 5
F40	in Central Junction Box (CJB) .....	59 – E 4
F41	in Central Junction Box (CJB) .....	59 – B 3
F42	in Central Junction Box (CJB) .....	59 – B 3
F43	in Central Junction Box (CJB) .....	59 – B 3
F44	in Central Junction Box (CJB) .....	59 – B 4
F45	in Central Junction Box (CJB) .....	59 – B 4
F46	in Central Junction Box (CJB) .....	59 – E 3
F47	in Central Junction Box (CJB) .....	59 – E 3
F48	in Central Junction Box (CJB) .....	59 – E 2

**Fuses****Section 700-06-00**

	<b>Location</b>	<b>Page/coordinates</b>
F49	in Central Junction Box (CJB) .....	59 – E 2
F50	in Central Junction Box (CJB) .....	59 – E 2
F52	in Central Junction Box (CJB) .....	59 – B 1
F53	in Central Junction Box (CJB) .....	59 – B 1
F55	in Central Junction Box (CJB) .....	59 – C 1
F56	in Central Junction Box (CJB) .....	59 – C 1
F57	in Central Junction Box (CJB) .....	59 – D 1
F58	in Central Junction Box (CJB) .....	59 – D 1
F59	in Central Junction Box (CJB) .....	59 – D 1
F60	in Central Junction Box (CJB) .....	59 – E 1
F61	in Central Junction Box (CJB) .....	59 – E 1
F62	in Central Junction Box (CJB) .....	59 – E 1
F63	in Central Junction Box (CJB) .....	57 – D 5
F64	in Battery Junction Box (BJB) .....	60 – B 3
F65	in Battery Junction Box (BJB) .....	60 – E 3
F98	engine compartment, LH side .....	6 – A 3
F99	behind dash panel, centre	
F2000	behind dash panel, LH side	

**Wiring harness****Section 700-06-00**

	<b>Location</b>	<b>Page/coordinates</b>
8C290	Wiring harness – Engine cooling fan .....	6 – C 5
9H589	Wiring harness – Engine control .....	8 – D 5
9H589	Wiring harness – Engine control .....	9 – D 5
9H589	Wiring harness – Engine control .....	12 – E 5
9H589	Wiring harness – Engine control .....	13 – C 1
9H589	Wiring harness – Engine control .....	14 – B 1
12A522	Wiring harness – Engine control .....	6 – F 4
12A522	Wiring harness – Engine control .....	7 – F 4
12A522	Wiring harness – Engine control .....	8 – F 4
12A522	Wiring harness – Engine control .....	9 – F 4
12A522	Wiring harness – Engine control .....	10 – E 4
12A522	Wiring harness – Engine control .....	11 – F 3
12A522	Wiring harness – Engine control .....	12 – D 1
12A522	Wiring harness – Engine control .....	13 – E 4
12A522	Wiring harness – Engine control .....	14 – B 4
12A522	Wiring harness – Engine control .....	15 – F 4
12A522	Wiring harness – Engine control .....	16 – E 5
12A522	Wiring harness – Engine control .....	17 – A 2
12A522	Wiring harness – Engine control .....	17 – D 4
12A522	Wiring harness – Engine control .....	17 – F 2
12A522	Wiring harness – Engine control .....	19 – C 5
12A522	Wiring harness – Engine control .....	21 – A 3
12A522	Wiring harness – Engine control .....	21 – F 3
12A522	Wiring harness – Engine control .....	21 – B 2
12A522	Wiring harness – Engine control .....	22 – B 3
12A522	Wiring harness – Engine control .....	22 – F 3
12A522	Wiring harness – Engine control .....	22 – B 2
12A522	Wiring harness – Engine control .....	35 – B 3
12A522	Wiring harness – Engine control .....	56 – C 5
12A690	Wiring harness – Engine control .....	6 – D 4
12A690	Wiring harness – Engine control .....	7 – F 4
12A690	Wiring harness – Engine control .....	8 – C 1
12A690	Wiring harness – Engine control .....	9 – A 3
12A690	Wiring harness – Engine control .....	9 – C 2
12A690	Wiring harness – Engine control .....	10 – B 1
12A690	Wiring harness – Engine control .....	11 – B 1
12A690	Wiring harness – Engine control .....	12 – B 2
12A690	Wiring harness – Engine control .....	15 – E 1
12A690	Wiring harness – Engine control .....	16 – C 1
12K531	Wiring harness – Accelerator to engine control .....	35 – D 1
13K081	Wiring harness – Windshield wiper/washer .....	4 – E 1
14014	Wiring harness – Door to door .....	31 – B 3
14014	Wiring harness – Door to door .....	35 – B 2
14014	Wiring harness – Door to door .....	35 – D 2
14014	Wiring harness – Door to door .....	36 – E 3
14014	Wiring harness – Door to door .....	37 – D 4

## Wiring harness

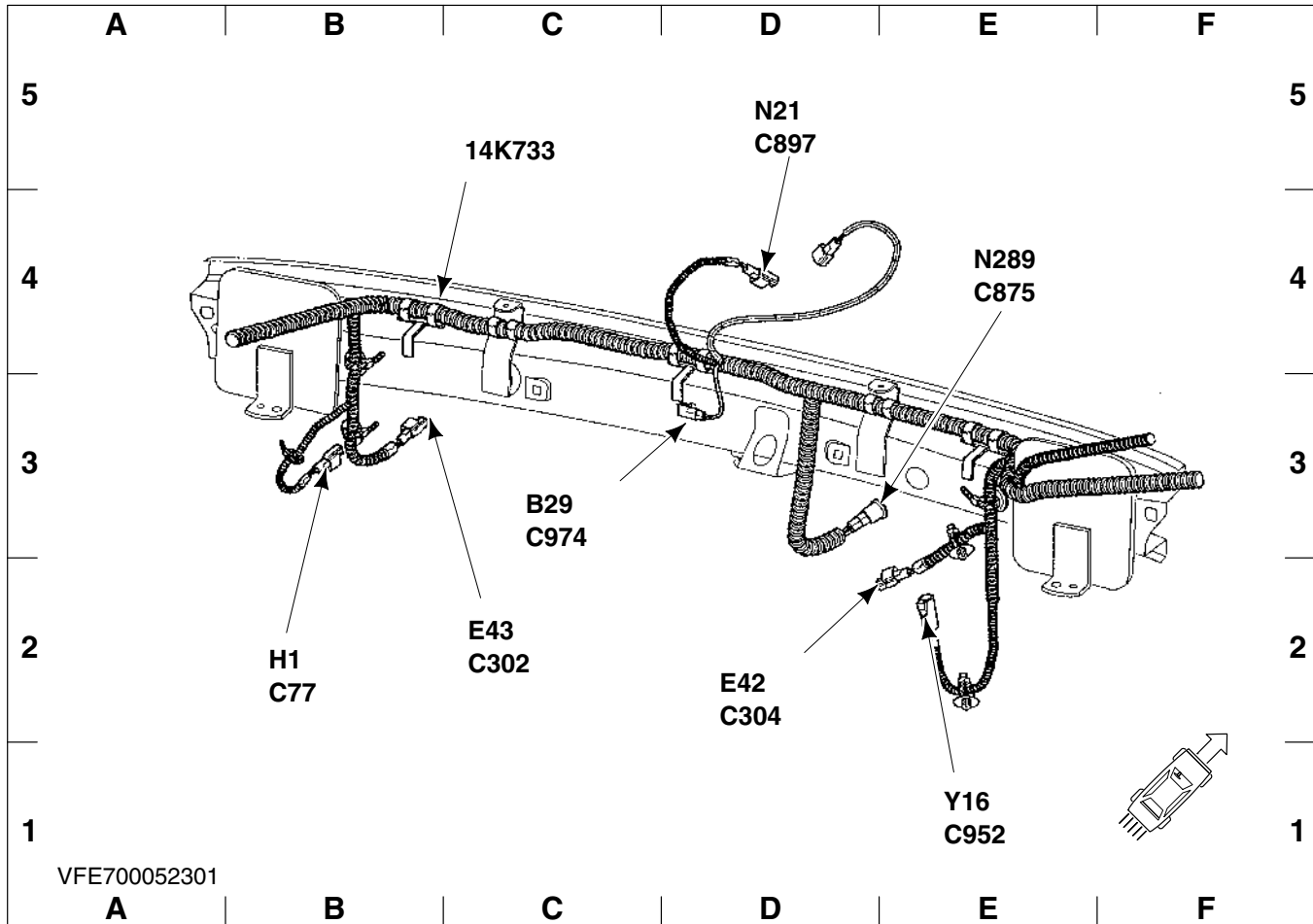
## Section 700-06-00

	<b>Location</b>	<b>Page/coordinates</b>
14014	Wiring harness – Door to door . . . . .	38 – C 4
14014	Wiring harness – Door to door . . . . .	39 – B 1
14014	Wiring harness – Door to door . . . . .	40 – B 1
14014	Wiring harness – Door to door . . . . .	41 – B 1
14014	Wiring harness – Door to door . . . . .	44 – A 3
14014	Wiring harness – Door to door . . . . .	44 – E 3
14014	Wiring harness – Door to door . . . . .	45 – A 3
14014	Wiring harness – Door to door . . . . .	46 – B 3
14014	Wiring harness – Door to door . . . . .	47 – F 3
14014	Wiring harness – Door to door . . . . .	48 – B 3
14014	Wiring harness – Door to door . . . . .	49 – F 3
14014	Wiring harness – Door to door . . . . .	50 – B 3
14014	Wiring harness – Door to door . . . . .	51 – F 3
14297	Wiring harness – Windshield wiper . . . . .	5 – C 2
14335	Wiring harness – Interior illumination . . . . .	39 – C 2
14335	Wiring harness – Interior illumination . . . . .	40 – D 2
14335	Wiring harness – Interior illumination . . . . .	41 – C 2
14401	Main wiring harness . . . . .	27 – F 2
14401	Main wiring harness . . . . .	28 – C 1
14401	Main wiring harness . . . . .	32 – F 5
14401	Main wiring harness . . . . .	33 – E 2
14401	Main wiring harness . . . . .	34 – B 4
14401	Main wiring harness . . . . .	35 – F 3
14405	Wiring harness – Tail lamps . . . . .	46 – E 4
14405	Wiring harness – Tail lamps . . . . .	47 – B 4
14405	Wiring harness – Tail lamps . . . . .	48 – E 3
14405	Wiring harness – Tail lamps . . . . .	49 – B 3
14405	Wiring harness – Tail lamps . . . . .	50 – D 5
14405	Wiring harness – Tail lamps . . . . .	51 – D 5
14405	Wiring harness – Tail lamps . . . . .	54 – B 1
14405	Wiring harness – Tail lamps . . . . .	55 – D 2
14A584	Wiring harness – Doors . . . . .	42 – D 1
14A584	Wiring harness – Doors . . . . .	43 – E 3
14A584	Wiring harness – Doors . . . . .	45 – C 5
14A584	Wiring harness – Doors . . . . .	47 – C 5
14A584	Wiring harness – Doors . . . . .	49 – D 5
14A584	Wiring harness – Doors . . . . .	52 – A 1
14A584	Wiring harness – Doors . . . . .	53 – B 1
14K733	Wiring harness – Engine compartment . . . . .	1 – C 5
14K733	Wiring harness – Engine compartment . . . . .	2 – A 3
14K733	Wiring harness – Engine compartment . . . . .	3 – F 5
14K733	Wiring harness – Engine compartment . . . . .	4 – D 5
14K733	Wiring harness – Engine compartment . . . . .	6 – A 5
14K733	Wiring harness – Engine compartment . . . . .	6 – C 2
14K733	Wiring harness – Engine compartment . . . . .	7 – A 3
14K733	Wiring harness – Engine compartment . . . . .	7 – D 4



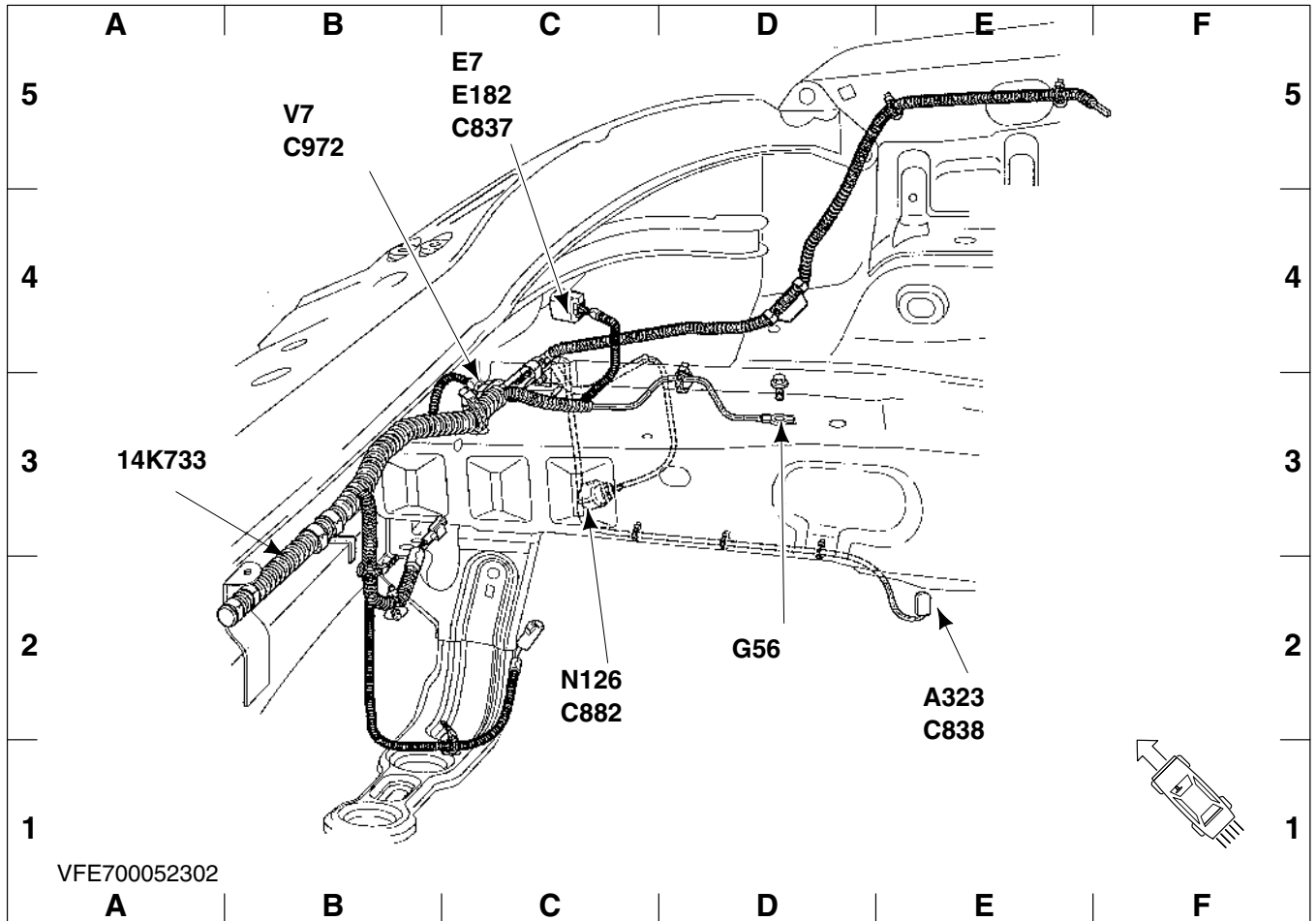
**Wiring harness****Section 700-06-00**

	<b>Location</b>	<b>Page/coordinates</b>
14K733	Wiring harness – Engine compartment .....	15 – E 5
14K733	Wiring harness – Engine compartment .....	19 – F 2
14K733	Wiring harness – Engine compartment .....	20 – F 3
14K733	Wiring harness – Engine compartment .....	23 – C 2
14K733	Wiring harness – Engine compartment .....	24 – C 2
18B604	Wiring harness – Heater control .....	27 – D 5
18B604	Wiring harness – Heater control .....	28 – D 1
18B604	Wiring harness – Heater control .....	29 – A 4
18B604	Wiring harness – Heater control .....	30 – C 4
19L540	Wiring harness – Anti-theft alarm .....	39 – E 2
19L540	Wiring harness – Anti-theft alarm .....	40 – E 2
19L540	Wiring harness – Anti-theft alarm .....	41 – D 2
19L540	Wiring harness – Anti-theft alarm .....	41 – B 5
19L540	Wiring harness – Anti-theft alarm .....	45 – D 5
19L540	Wiring harness – Anti-theft alarm .....	49 – E 5
19L540	Wiring harness – Anti-theft alarm .....	51 – E 5



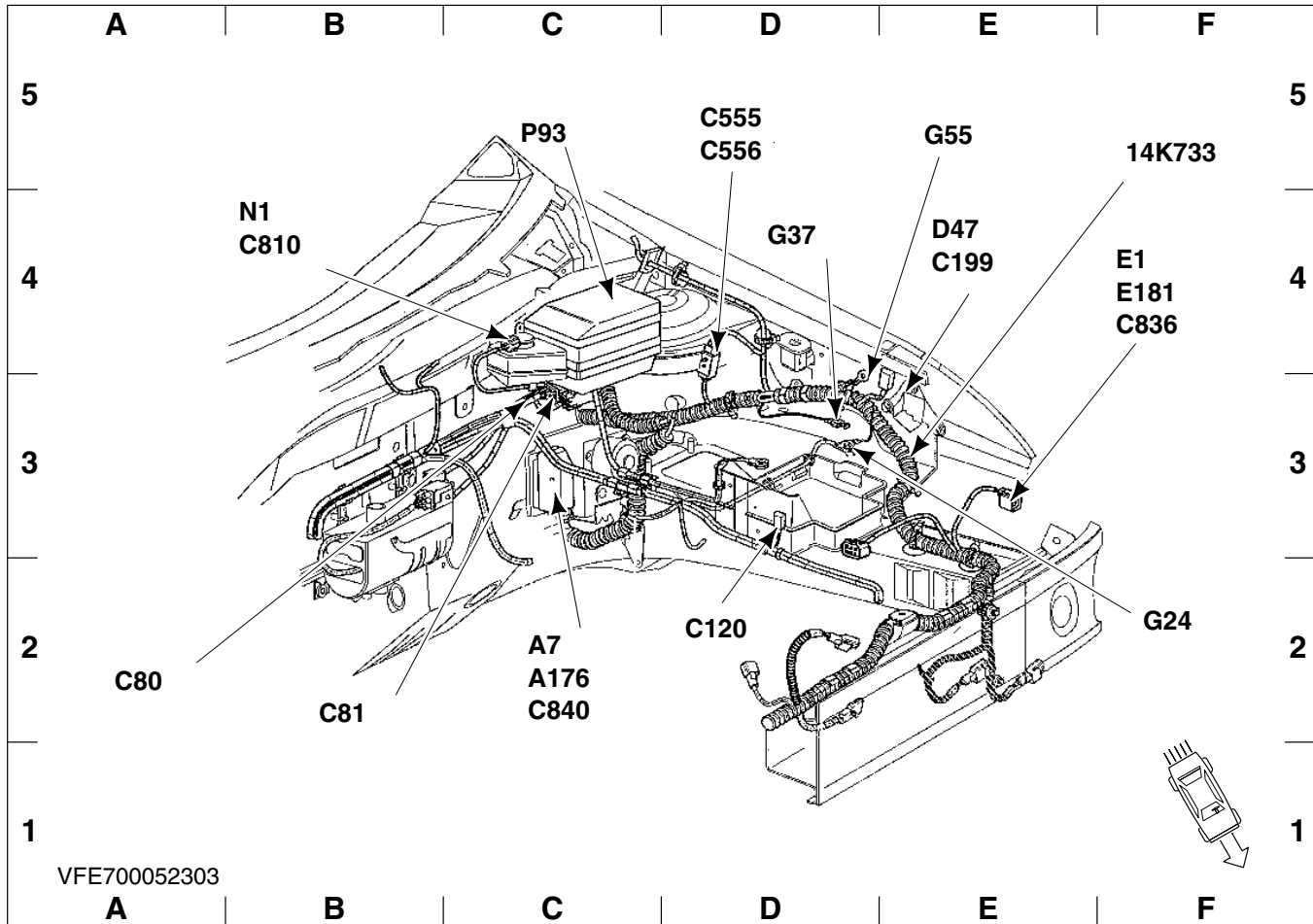
**Engine compartment, front**

14K733 Wiring harness – Engine compartment . . . . .	C 5	C974 . . . . .	C 3
B29 . . . Ice warning sensor . . . . .	C 3	E42 . . Fog lamp, RH side front . . . . .	D 2
C77 . . . . .	B 2	E43 . . Fog lamp, LH side front . . . . .	C 2
C302 . . . . .	C 2	H1 . . . Horn . . . . .	B 2
C304 . . . . .	D 2	N21 . . Engine compartment switch . . . . .	D 5
C875 . . . . .	E 4	N289 . Thermo switch, outside temperature . . . . .	E 4
C897 . . . . .	D 5	Y16 . . A/C Compressor clutch . . . . .	E 1
C952 . . . . .	E 1		



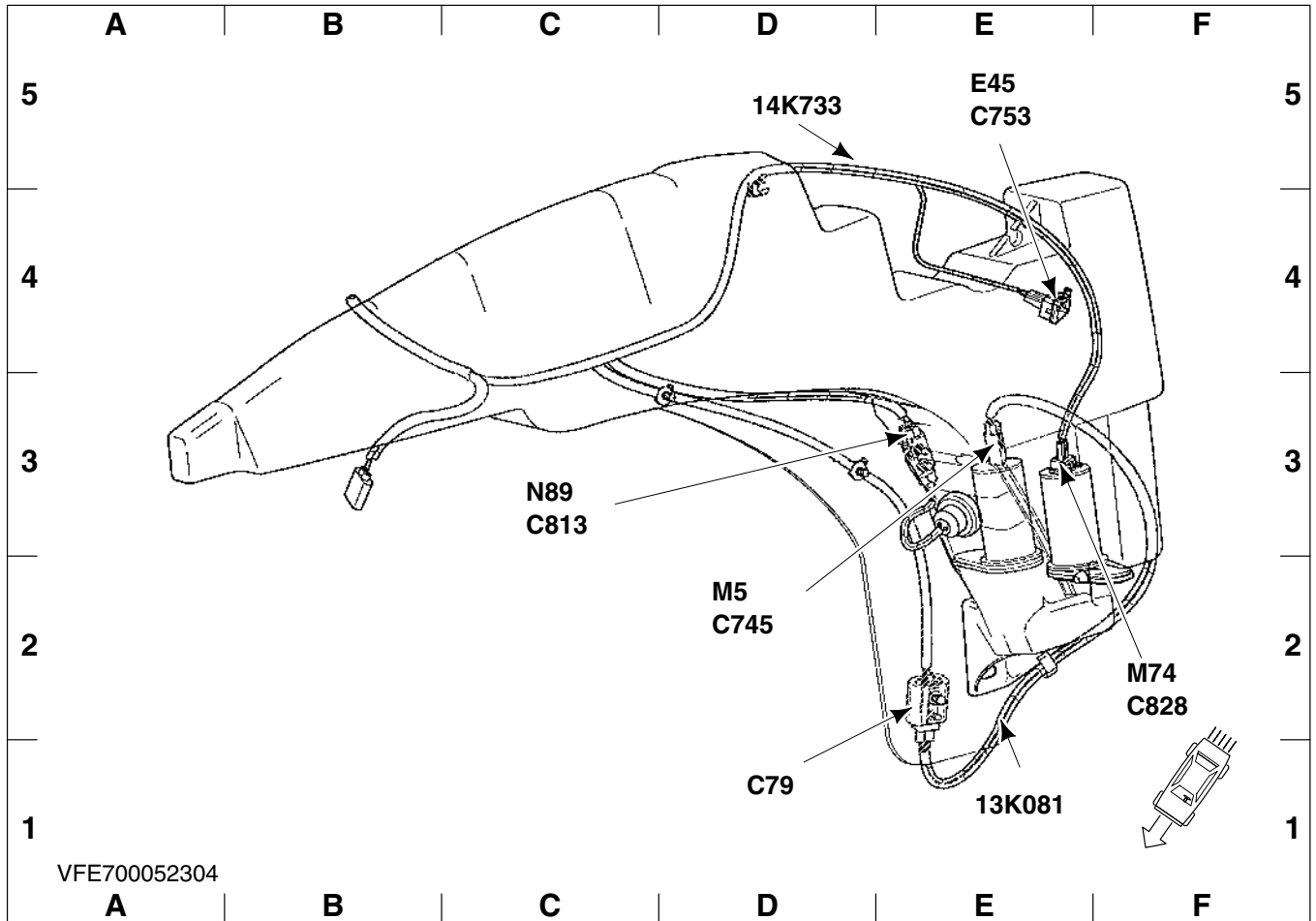
**Engine compartment, RH side, front**

14K733 Wiring harness – Engine compartment . . . . .	A 3	E7 . . . Headlamp, RH side . . . . .	C 5
A323 . High intensity discharge headlamp control module/levelling sensor . . . . .	E 2	E182 . High intensity discharge headlamp, RH side . . . . .	C 5
C837 . . . . .	C 5	G56 . . . . .	D 2
C838 . . . . .	E 2	N126 . A/C high–pressure switch . . . . .	C 2
C882 . . . . .	C 2	V7 . . . A/C compressor clutch diode . . . . .	B 5
C972 . . . . .	B 5		



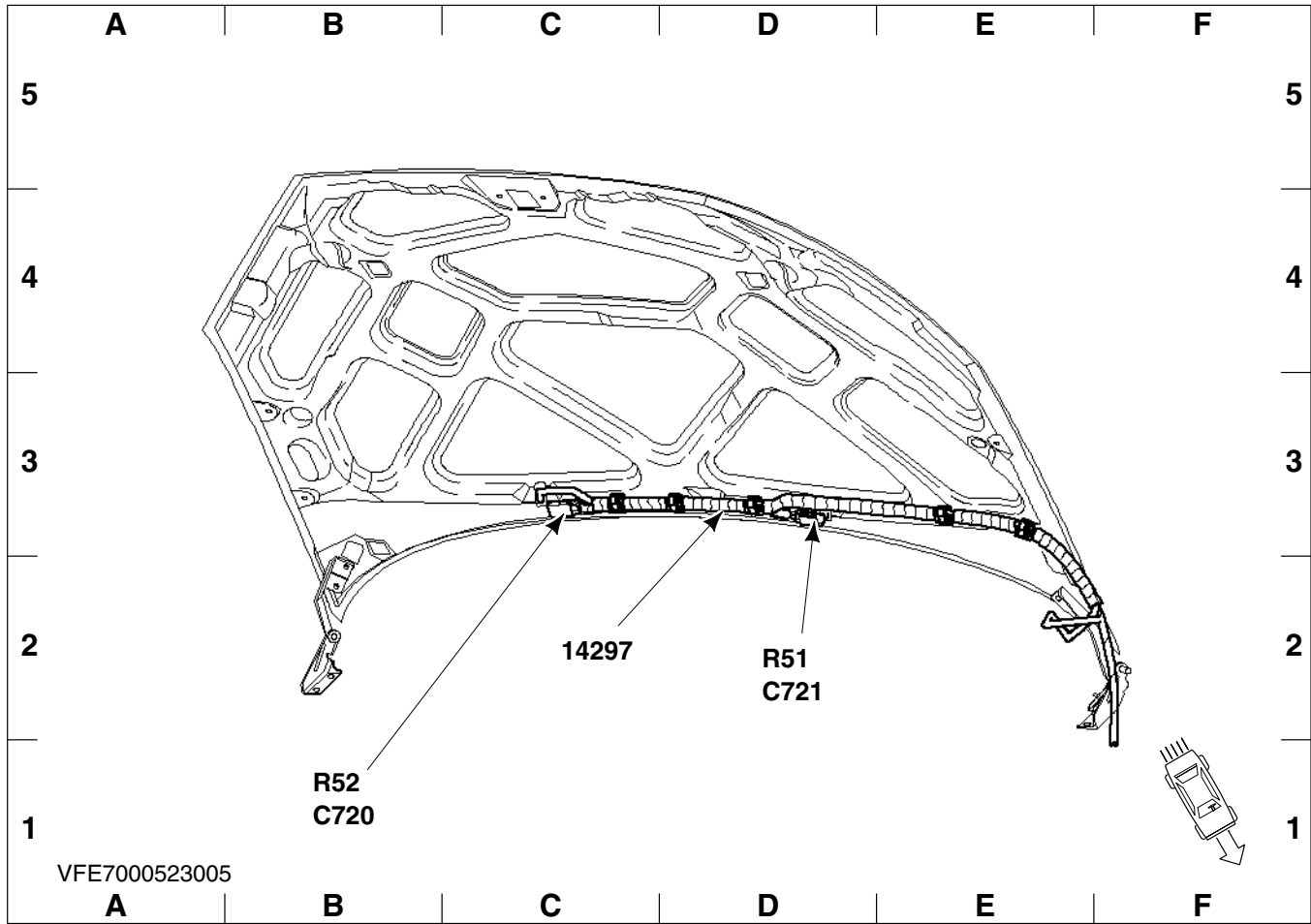
**Engine compartment, LH side**

14K733 Wiring harness – Engine compartment . . .	F 5	C840 . . . . .	C 2
A7 . . . ABS control module . . . . .	C 2	D47 . . High intensity discharge headlamp	
A176 . Electronic Stability Program (ESP)		diagnostic connector . . . . .	E 4
module . . . . .	C 2	E1 . . Headlamp, LH side . . . . .	F 4
C80 . . . . .	A 2	E181 . High intensity discharge headlamp,	
C81 . . . . .	B 2	LH side . . . . .	F 4
C120 . . . . .	D 2	G24 . . . . .	F 2
C199 . . . . .	E 4	G37 . . . . .	D 4
C555 . . . . .	D 5	G55 . . . . .	E 5
C556 . . . . .	D 5	N1 . . Brake fluid level switch . . . . .	B 4
C810 . . . . .	B 4	P93 . . Battery Junction Box (BJB) . . . . .	C 5
C836 . . . . .	F 4		



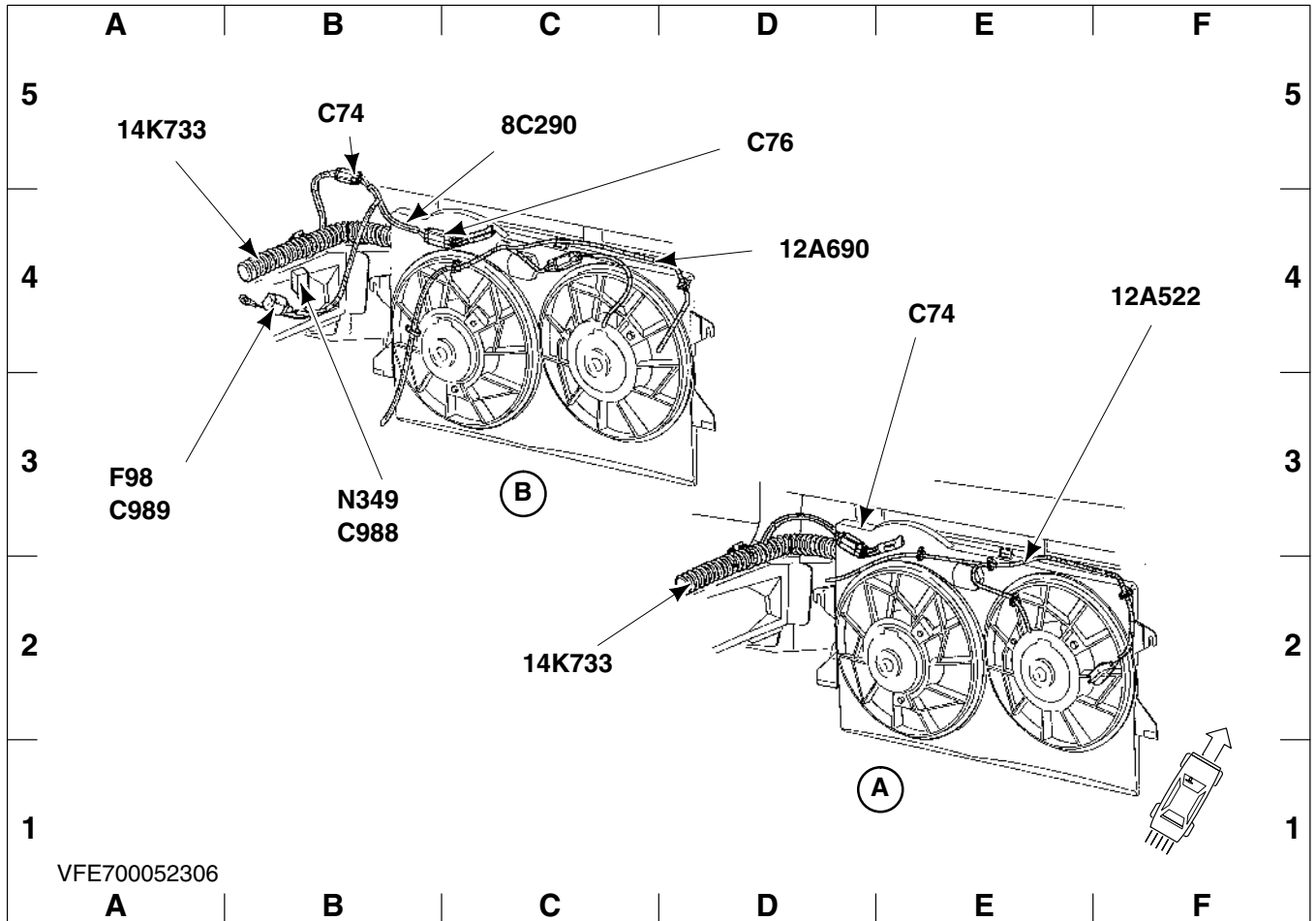
**Front wheelwell, front**

13K081 Wiring harness –		C813 .....	C 3
Windshield wiper/washer .....	E 1	C828 .....	F 2
14K733 Wiring harness – Engine compartment .	D 5	E45 .. Side direction indicator lamp, LH side ..	E 5
C79 .....	D 1	M5 .. Headlamp washer pump .....	D 2
C745 .....	D 2	M74 .. Two-way washer pump motor .....	F 2
C753 .....	E 5	N89 .. Low cleaning water level switch .....	C 3



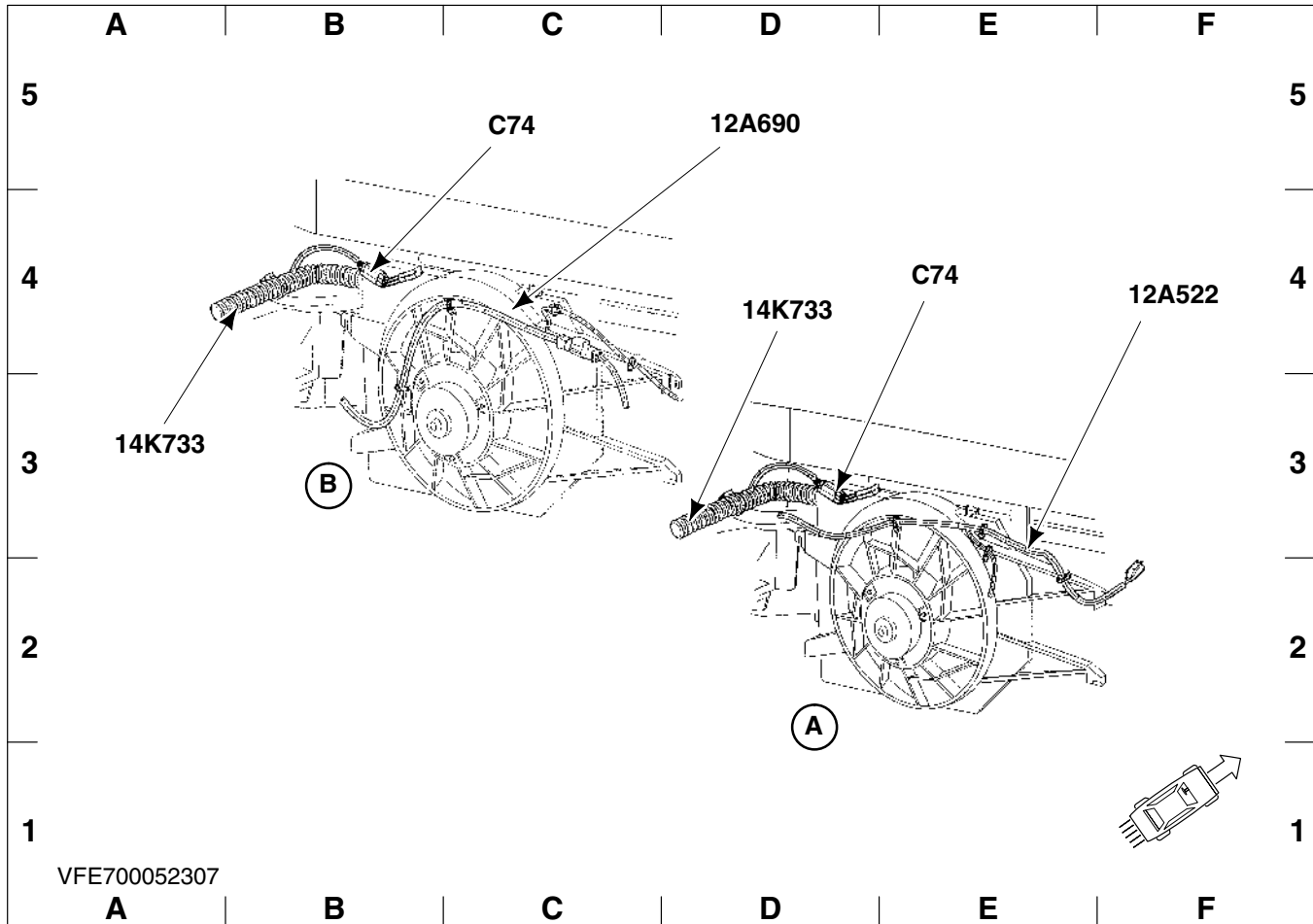
**Under hood**

14297	Wiring harness – Windshield wiper . . . .	C 2	R51 . .	Windshield washer jet heater, LH side . .	D 2
C720	.....	B 1	R52 . .	Windshield washer jet heater, RH side . .	B 1
C721	.....	D 2			



**On radiator, A: Diesel engines, B: ZETEC engines, with air conditioning**

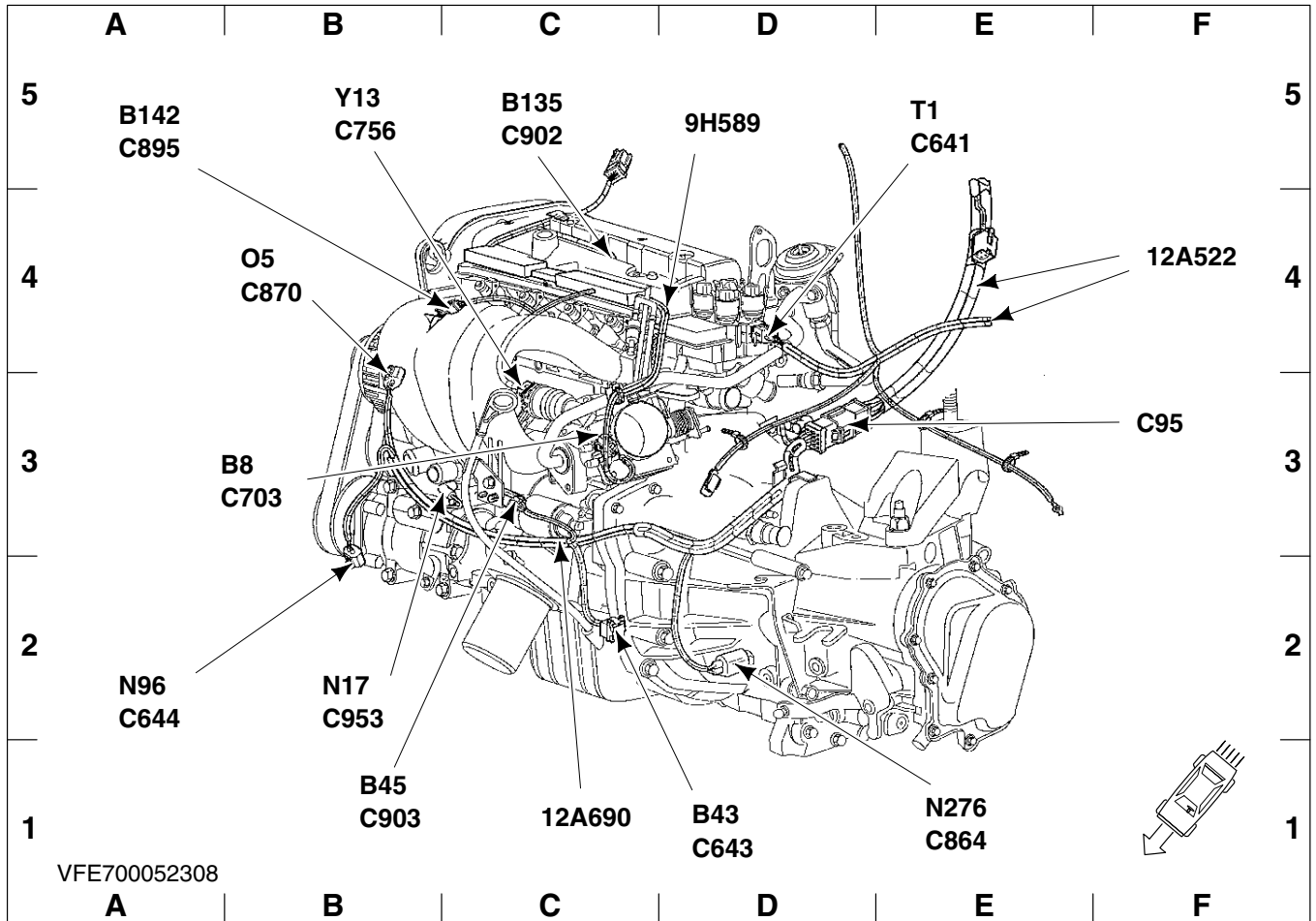
12A690 Wiring harness – Engine control . . . . .	D 4	C74 . . . . .	E 4
12A522 Wiring harness – Engine control . . . . .	F 4	C76 . . . . .	D 5
14K733 Wiring harness – Engine compartment . . . . .	A 5	C988 . . . . .	B 3
14K733 Wiring harness – Engine compartment . . . . .	C 2	C989 . . . . .	A 3
8C290 Wiring harness – Engine cooling fan . . . . .	C 5	F98 . . . . .	A 3
C74 . . . . .	B 5	N349 . Cooling fan run-on thermo switch . . . . .	B 3



**On radiator, A: Diesel engines, B: ZETEC engines, without air conditioning**

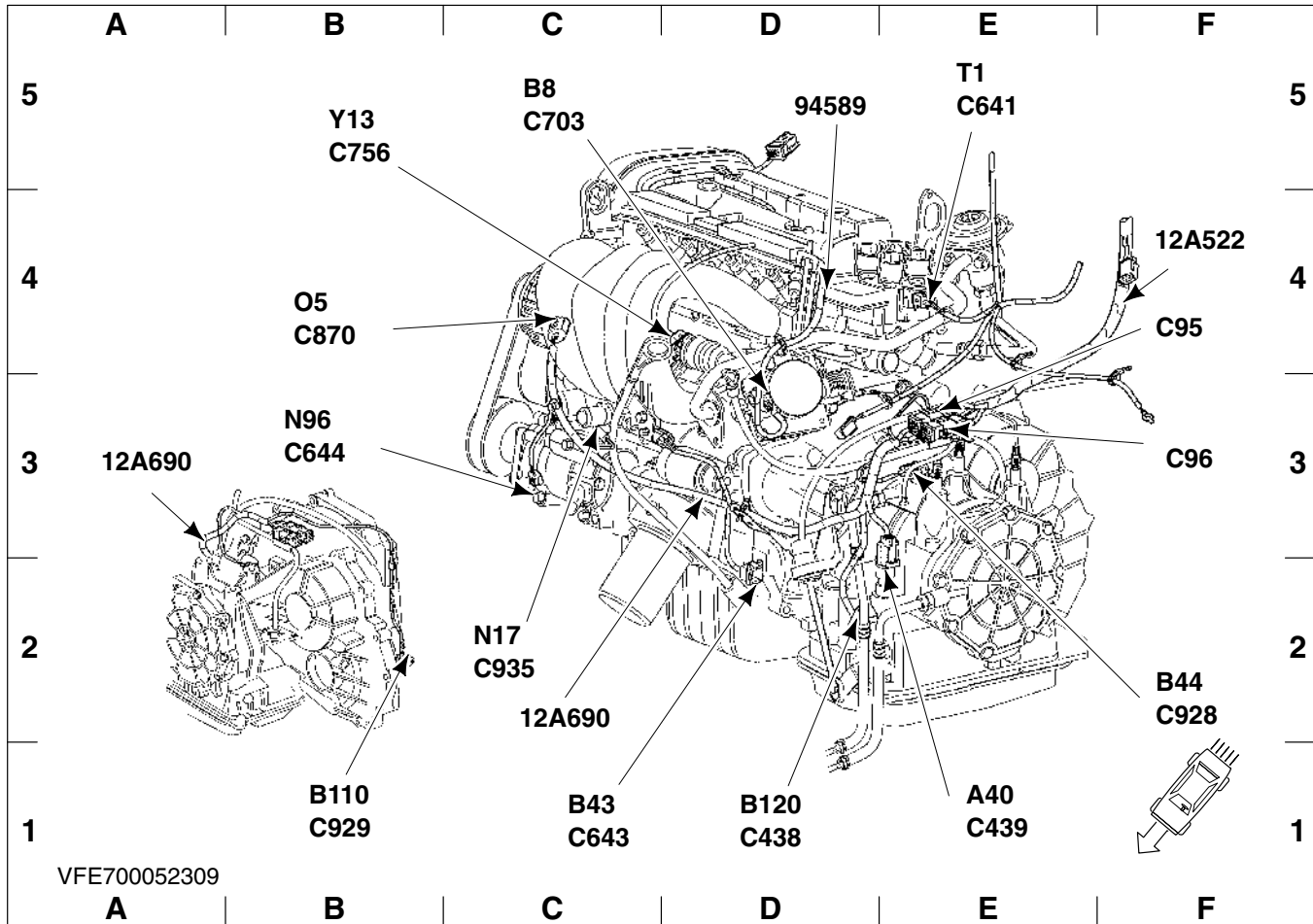
12A690 Wiring harness – Engine control . . . . .	D 5	14K733 Wiring harness – Engine compartment . .	D 4
12A522 Wiring harness – Engine control . . . . .	F 4	C74 . . . . .	C 5
14K733 Wiring harness – Engine compartment . .	A 3	C74 . . . . .	E 4





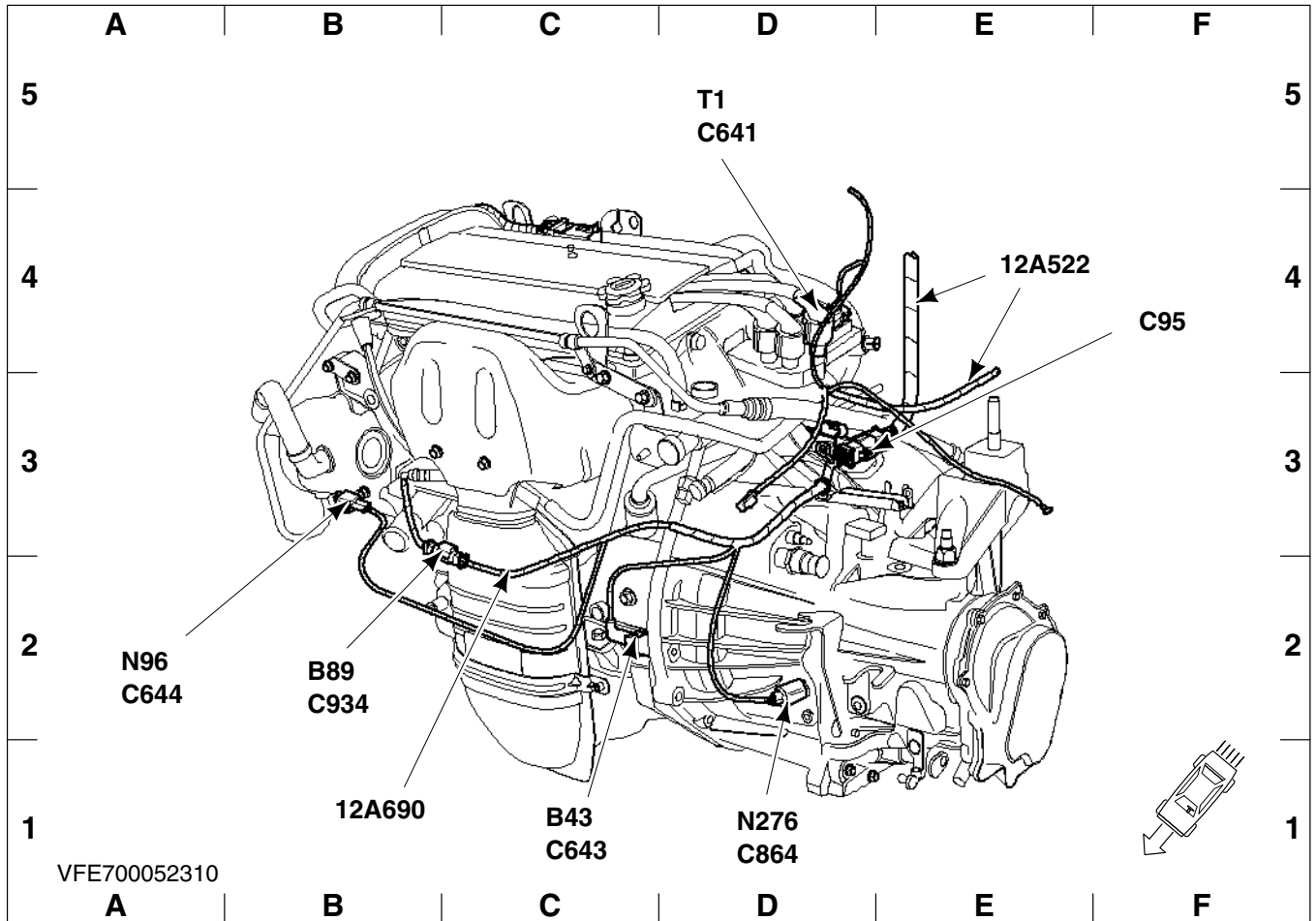
**ZETEC-SE, manual transmission**

12A522 Wiring harness – Engine control	..... F 4	C756	..... B 5
12A690 Wiring harness – Engine control	..... C 1	C864	..... E 1
9H589 Wiring harness – Engine control	..... D 5	C870	..... B 4
B8 ... Throttle Position Sensor (TPS)	..... B 3	C895	..... A 5
B43 .. Crankshaft position sensor	..... D 1	C902	..... C 5
B45 .. Knock sensor	..... B 1	C903	..... B 1
B135 . Cylinder-head temperature sensor	..... C 5	C953	..... B 2
B142 . Temperature manifold absolute pressure sensor	..... A 5	N17 .. Oil pressure switch	..... B 2
C95	..... F 3	N96 .. Power steering pressure switch	..... A 2
C641	..... E 5	N276 . Transmission switch	..... E 1
C643	..... D 1	O5 ... Generator	..... B 4
C644	..... A 2	T1 ... Ignition coil	..... E 5
C703	..... B 3	Y13 .. Idle speed control valve	..... B 5



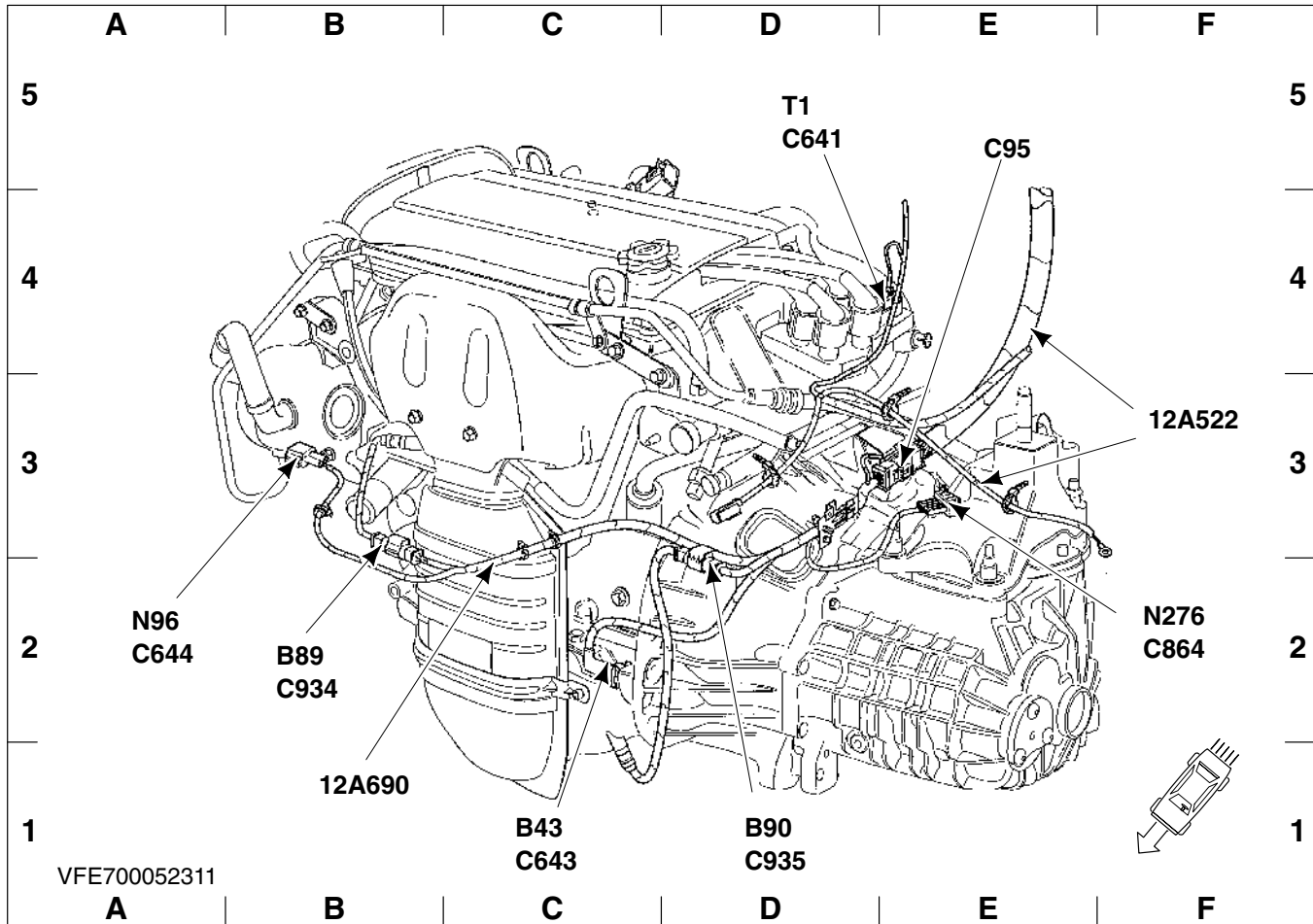
**ZETEC-SE, automatic transmission**

12A690 Wiring harness – Engine control	A 3	C641	E 5
12A522 Wiring harness – Engine control	F 4	C643	C 1
12A690 Wiring harness – Engine control	C 2	C644	B 3
94589 Wiring harness – Engine control	D 5	C703	C 5
A40 . . . Transmission hardware unit	E 1	C756	B 5
B8 . . . Throttle Position Sensor (TPS)	C 5	C870	B 4
B43 . . . Crankshaft position sensor	C 1	C928	F 2
B44 . . . Turbine Shaft Speed (TSS) sensor	F 2	C929	B 1
B110 . . . Output Shaft Speed (OSS) sensor	B 1	C935	C 2
B120 . . . Transmission range sensor	D 1	N17 . . . Oil pressure switch	C 2
C95	F 4	N96 . . . Power steering pressure switch	B 3
C96	F 3	O5 . . . Generator	B 4
C438	D 1	T1 . . . Ignition coil	E 5
C439	E 1	Y13 . . . Idle speed control valve	B 5



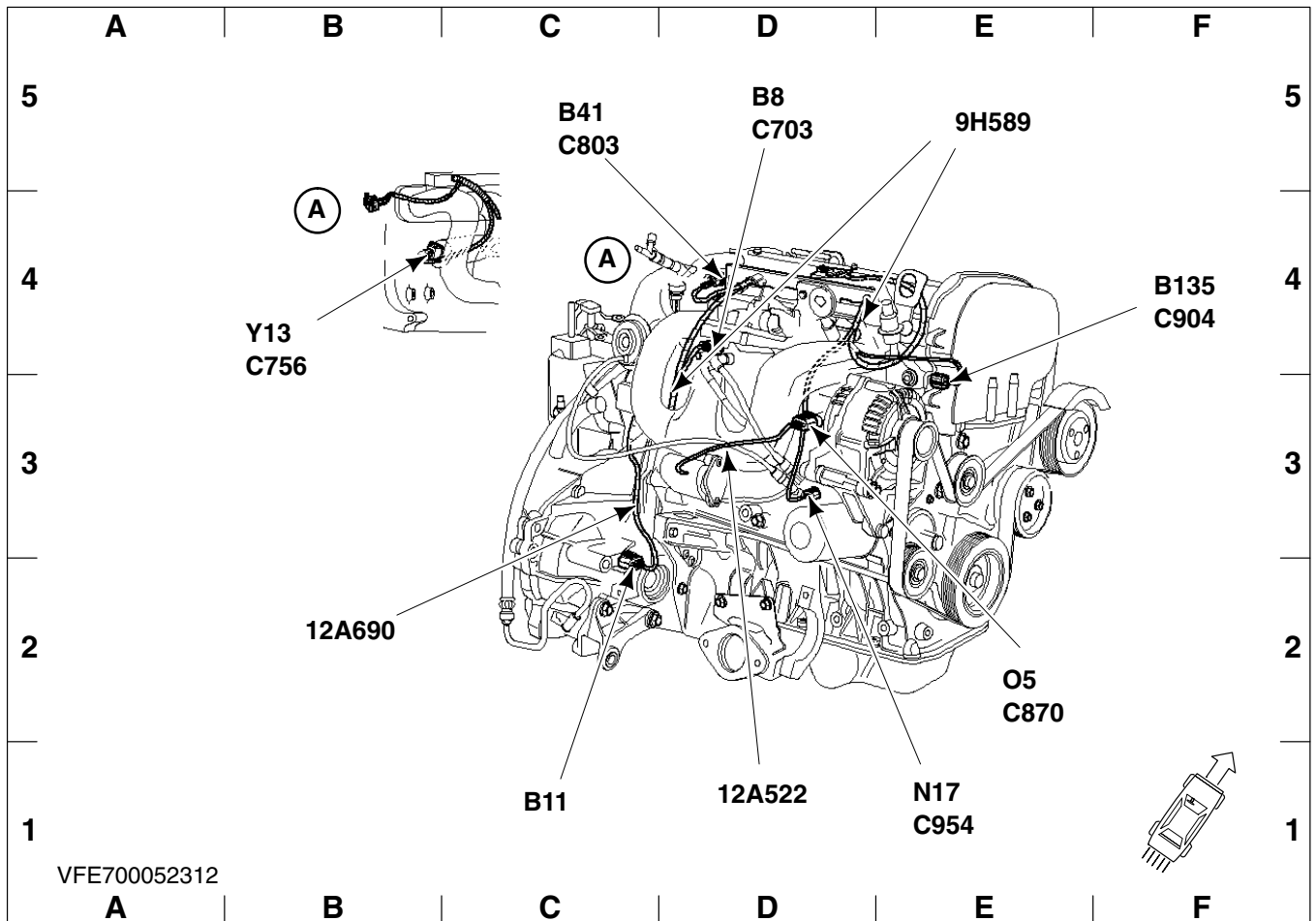
**with B5 manual transmission**

12A522 Wiring harness – Engine control	..... E 4	C643	..... C 1
12A690 Wiring harness – Engine control	..... B 1	C644	..... A 2
B43 .. Crankshaft position sensor	..... C 1	C864	..... D 1
B89 .. Pre-catalyst heated oxygen sensor (HO2S)	..... B 2	C934	..... B 2
C95	..... F 4	N96 .. Power steering pressure switch	..... A 2
C641	..... D 5	N276 .. Transmission switch	..... D 1
		T1 .. Ignition coil	..... D 5



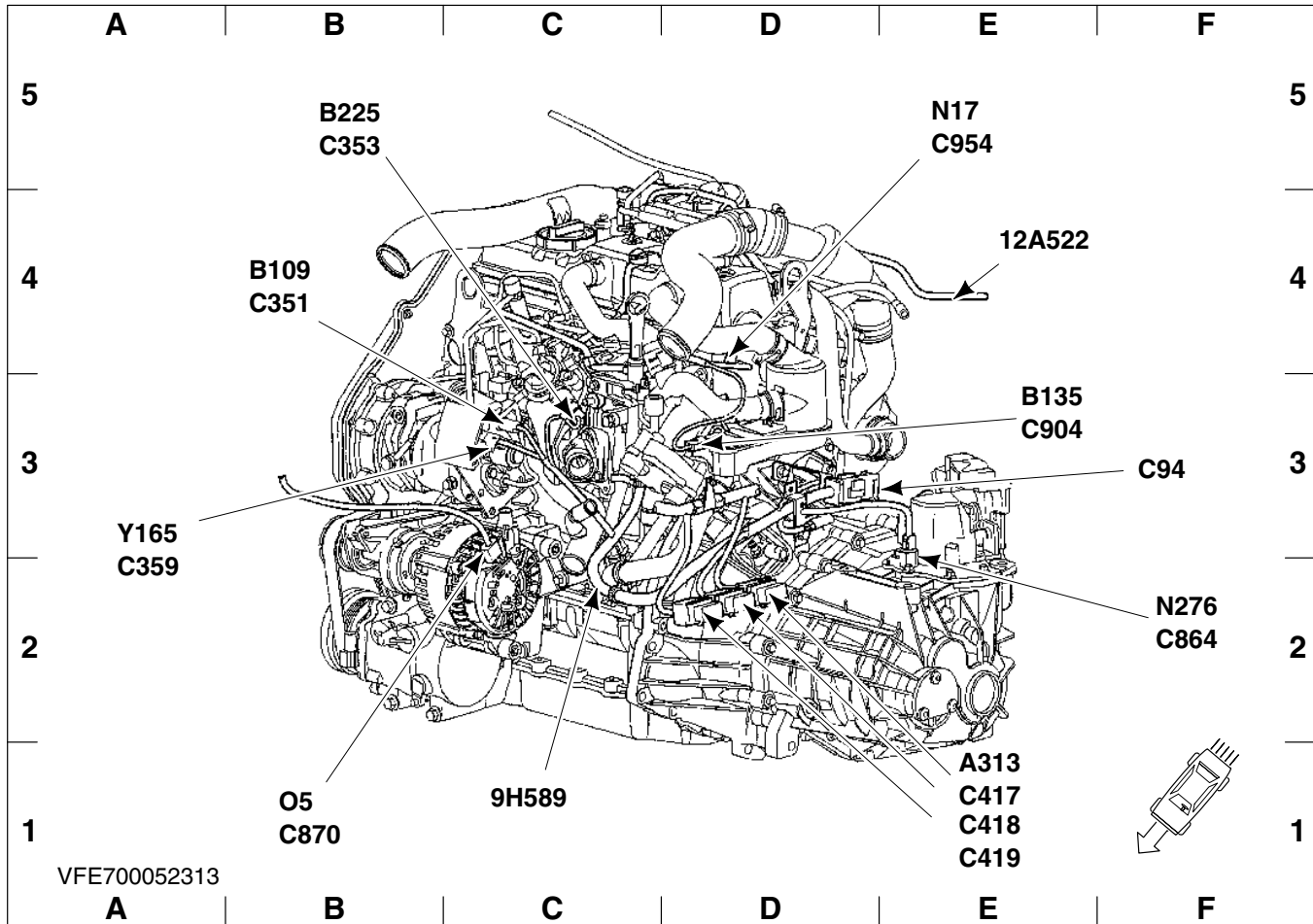
**ZETEC-E, with MTX manual transmission**

12A522 Wiring harness – Engine control	.....	F 3	C643	.....	C 1
12A690 Wiring harness – Engine control	.....	B 1	C644	.....	A 2
B43 .. Crankshaft position sensor	.....	C 1	C864	.....	F 2
B89 .. Pre-catalyst heated oxygen sensor (HO2S)	.....	B 2	C934	.....	B 2
B90 .. Post-catalyst heated oxygen sensor (HO2S)	.....	D 1	C935	.....	D 1
C95	.....	E 5	N96 .. Power steering pressure switch	.....	A 2
C641	.....	D 5	N276 .. Transmission switch	.....	F 2
			T1 .. Ignition coil	.....	D 5



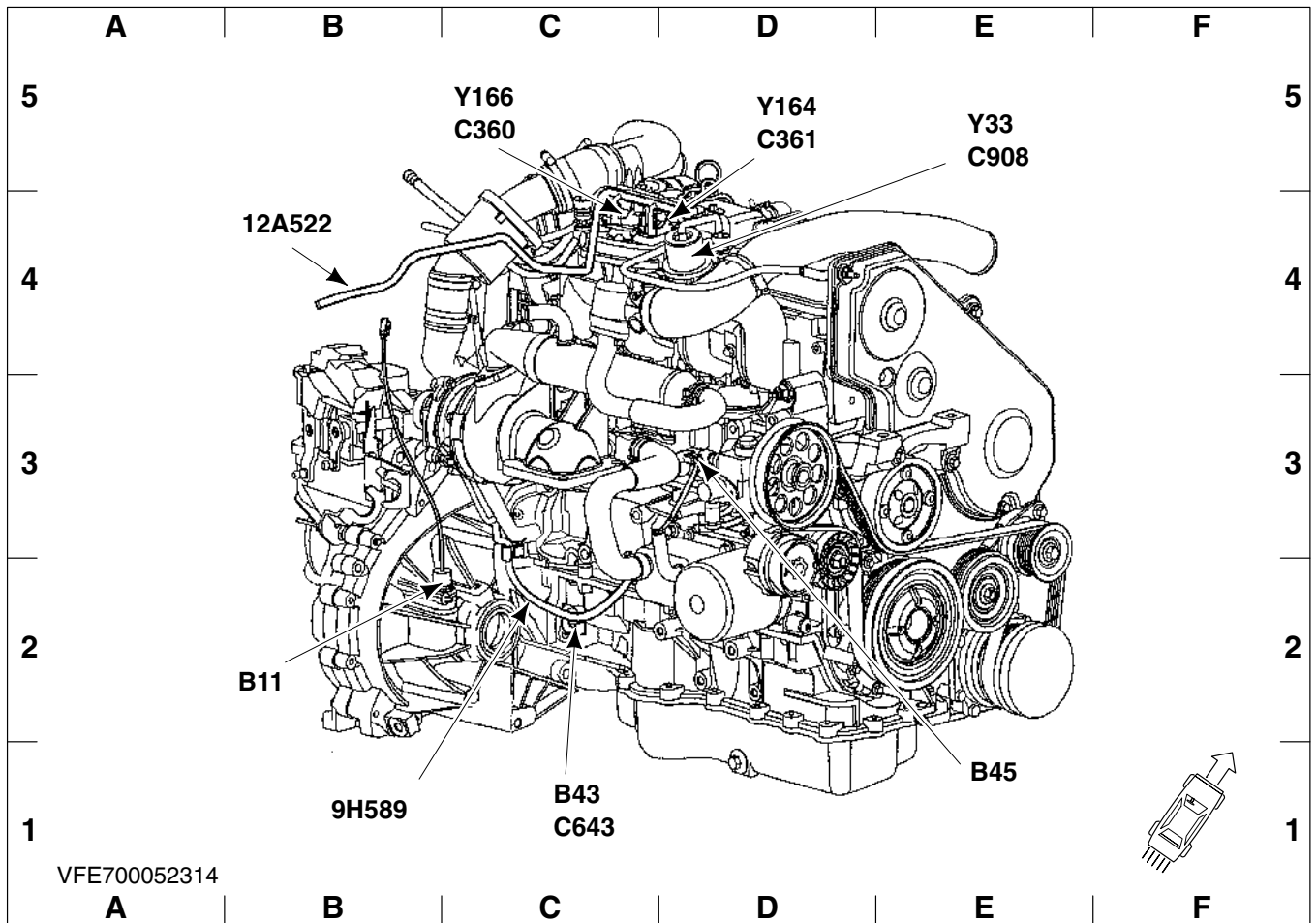
**ZETEC-E, back side**

12A522 Wiring harness – Engine control	D 1	C756	B 4
12A690 Wiring harness – Engine control	B 2	C803	C 5
9H589 Wiring harness – Engine control	E 5	C870	E 2
B8 ... Throttle Position Sensor (TPS)	D 5	C904	F 4
B11 .. Vehicle speed sensor (VSS)	C 1	C954	E 1
B41 .. Camshaft position sensor	C 5	N17 .. Oil pressure switch	E 1
B135 .. Cylinder-head temperature sensor	F 4	O5 ... Generator	E 2
C703	D 5	Y13 .. Idle speed control valve	B 4



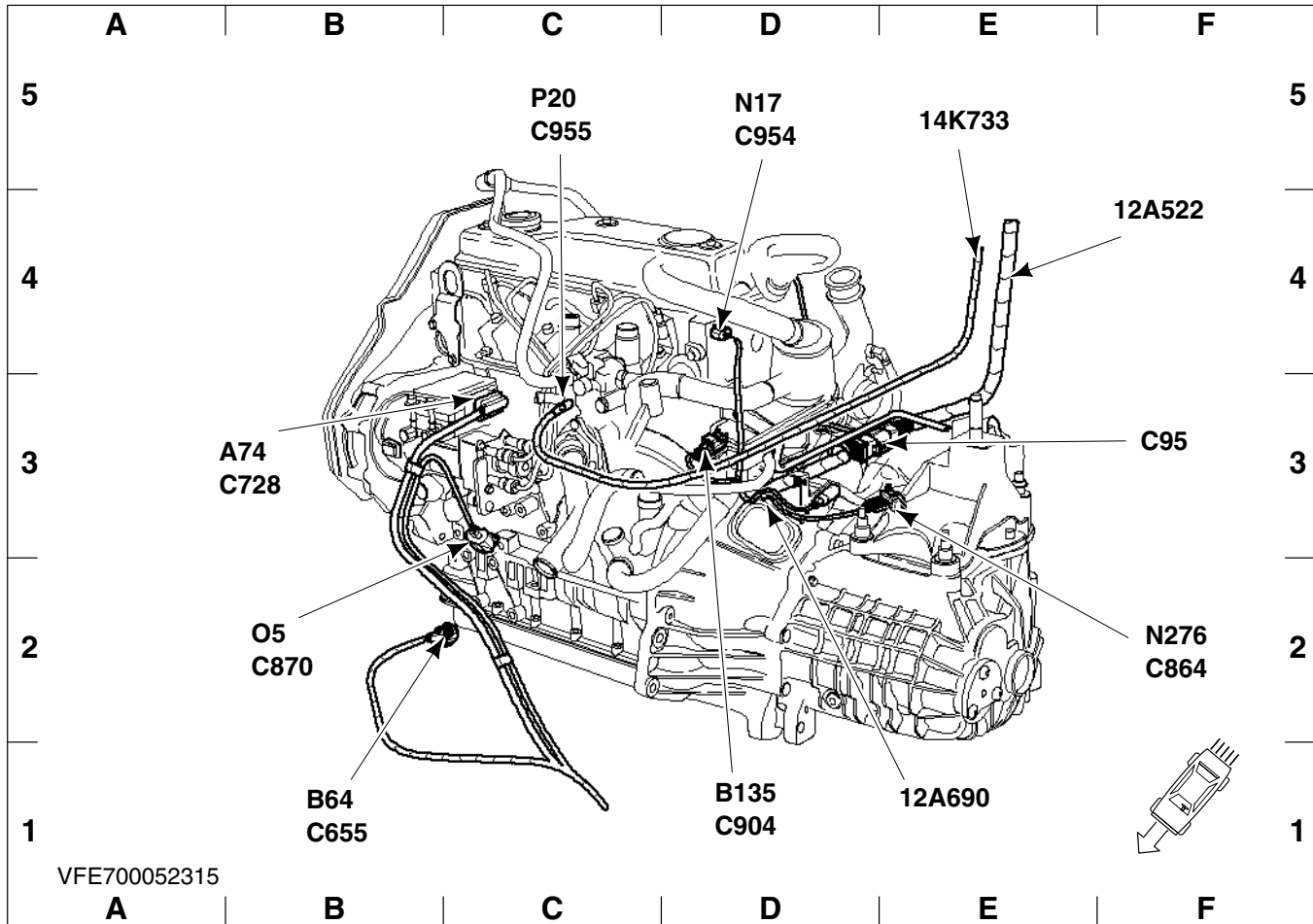
**Duratorq TDCi**

12A522 Wiring harness – Engine control	..... E 4	C418	..... E 1
9H589 Wiring harness – Engine control	..... C 1	C419	..... E 1
A313 . Injector Driver Module (IDM)	..... E 1	C864	..... F 2
B109 . Fuel temperature sensor	..... B 4	C870	..... B 1
B135 . Cylinder-head temperature sensor	..... E 3	C904	..... E 3
B225 . Fuel rail pressure transducer sensor	..... B 5	C954	..... E 5
C94	..... F 3	N17 . Oil pressure switch	..... E 5
C351	..... B 4	N276 . Transmission switch	..... F 2
C353	..... B 5	O5 . Generator	..... B 1
C359	..... A 3	Y165 . Fuel metering valve	..... A 3
C417	..... E 1		



**Duratorq TDCi, back side**

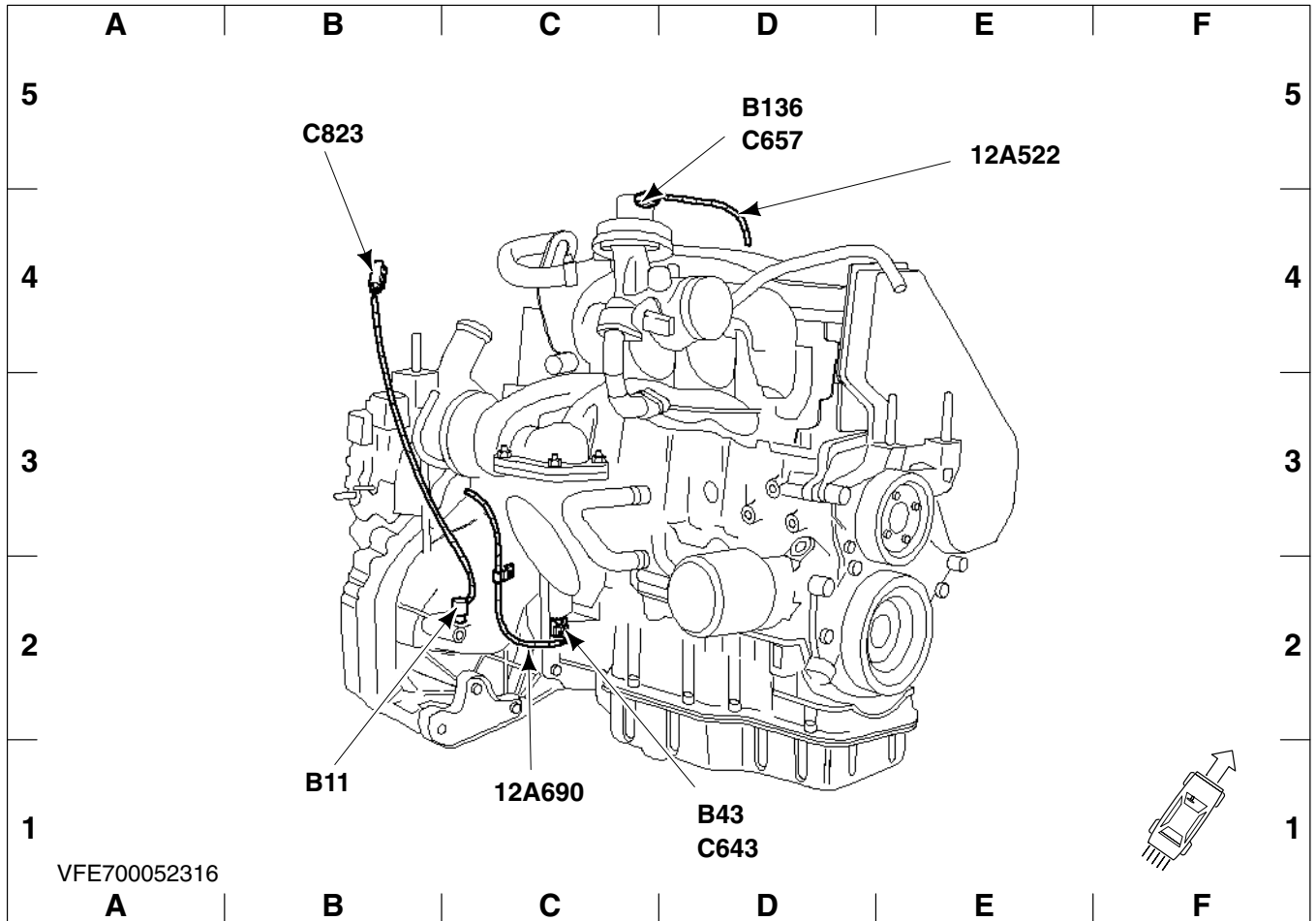
12A522 Wiring harness – Engine control	.....	B 4	C643	.....	C 1
9H589 Wiring harness – Engine control	.....	B 1	C908	.....	E 5
B11 .. Vehicle speed sensor (VSS)	.....	B 2	Y33 .. Electr. Vacuum Regulator (EVR) solenoid	.....	E 5
B43 .. Crankshaft position sensor	.....	C 1	valve	.....	E 5
B45 .. Knock sensor	.....	E 1	Y164 . Air shutoff throttle solenoid valve	.....	D 5
C360	.....	C 5	Y166 . Boost pressure solenoid valve	.....	C 5
C361	.....	D 5			



**Endura-DI**

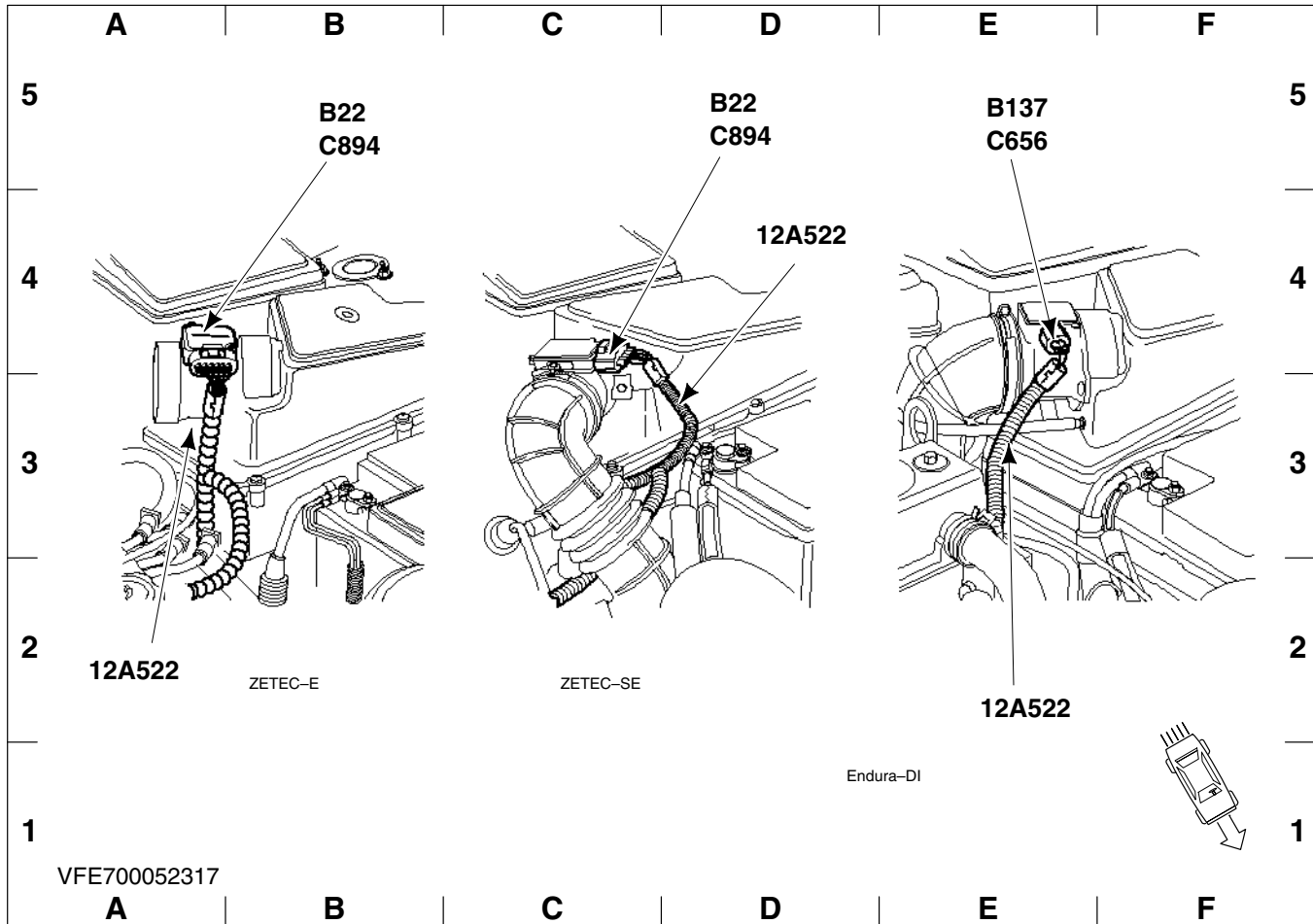
12A522 Wiring harness – Engine control	..... F 4	C864	..... F 2
12A690 Wiring harness – Engine control	..... E 1	C870	..... B 2
14K733 Wiring harness – Engine compartment	.. E 5	C904	..... D 1
A74 .. Diesel pump unit	..... B 3	C954	..... D 5
B64 .. Intake air temperature sensor	..... B 1	C955	..... C 5
B135 . Cylinder-head temperature sensor	..... D 1	N17 .. Oil pressure switch	..... D 5
C95	..... F 3	N276 . Transmission switch	..... F 2
C655	..... B 1	O5 ... Generator	..... B 2
C728	..... B 3	P20 .. Glow plugs	..... C 5





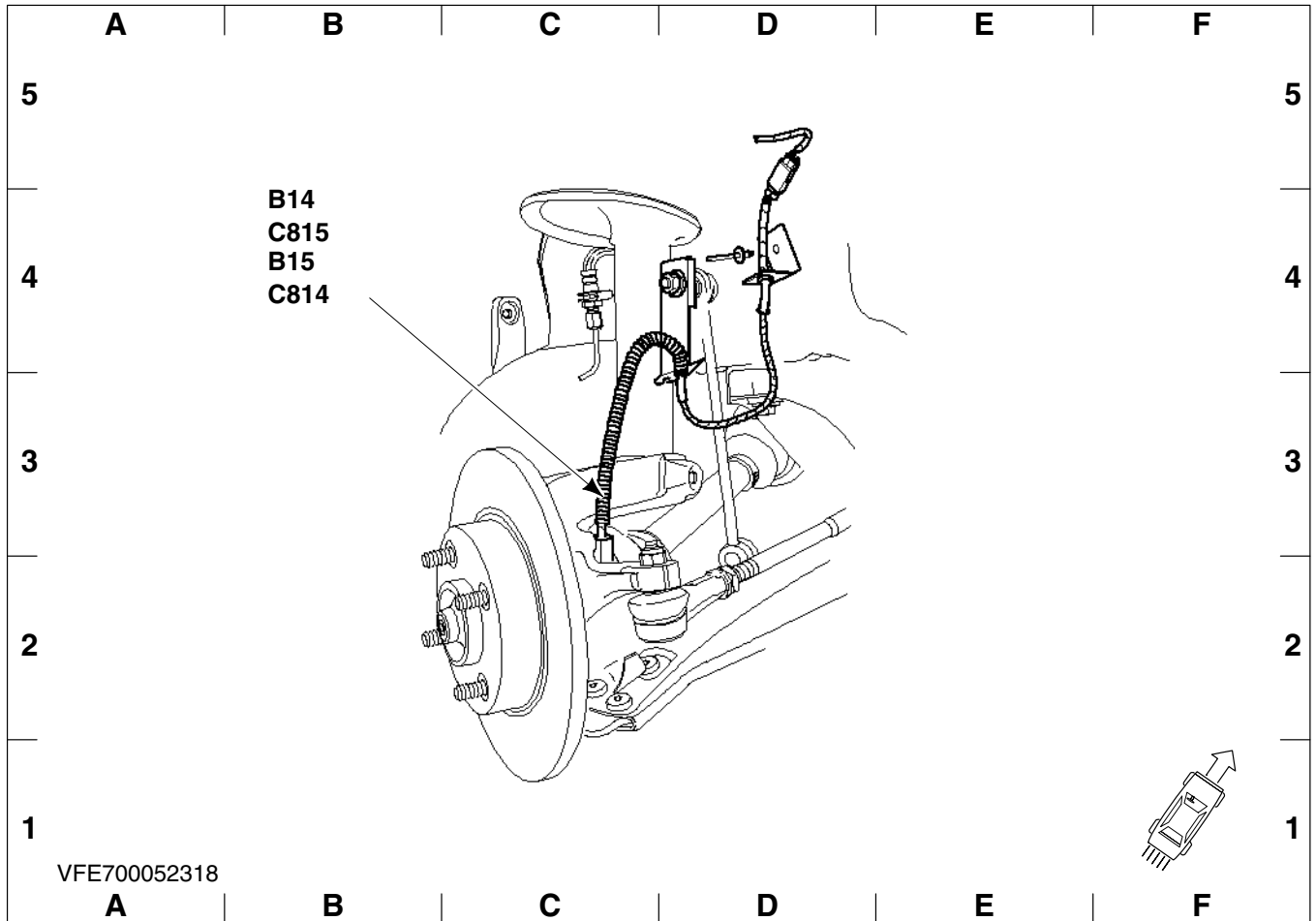
**Endura-DI, back side**

12A522 Wiring harness – Engine control	.....	E 5	C643 .....	D 1
12A690 Wiring harness – Engine control	.....	C 1	C657 .....	D 5
B11 .. Vehicle speed sensor (VSS)	.....	B 1	C823 .....	B 5
B43 .. Crankshaft position sensor	.....	D 1		
B136 . Exhaust gas recirculation (EGR) valve position sensor	.....	D 5		



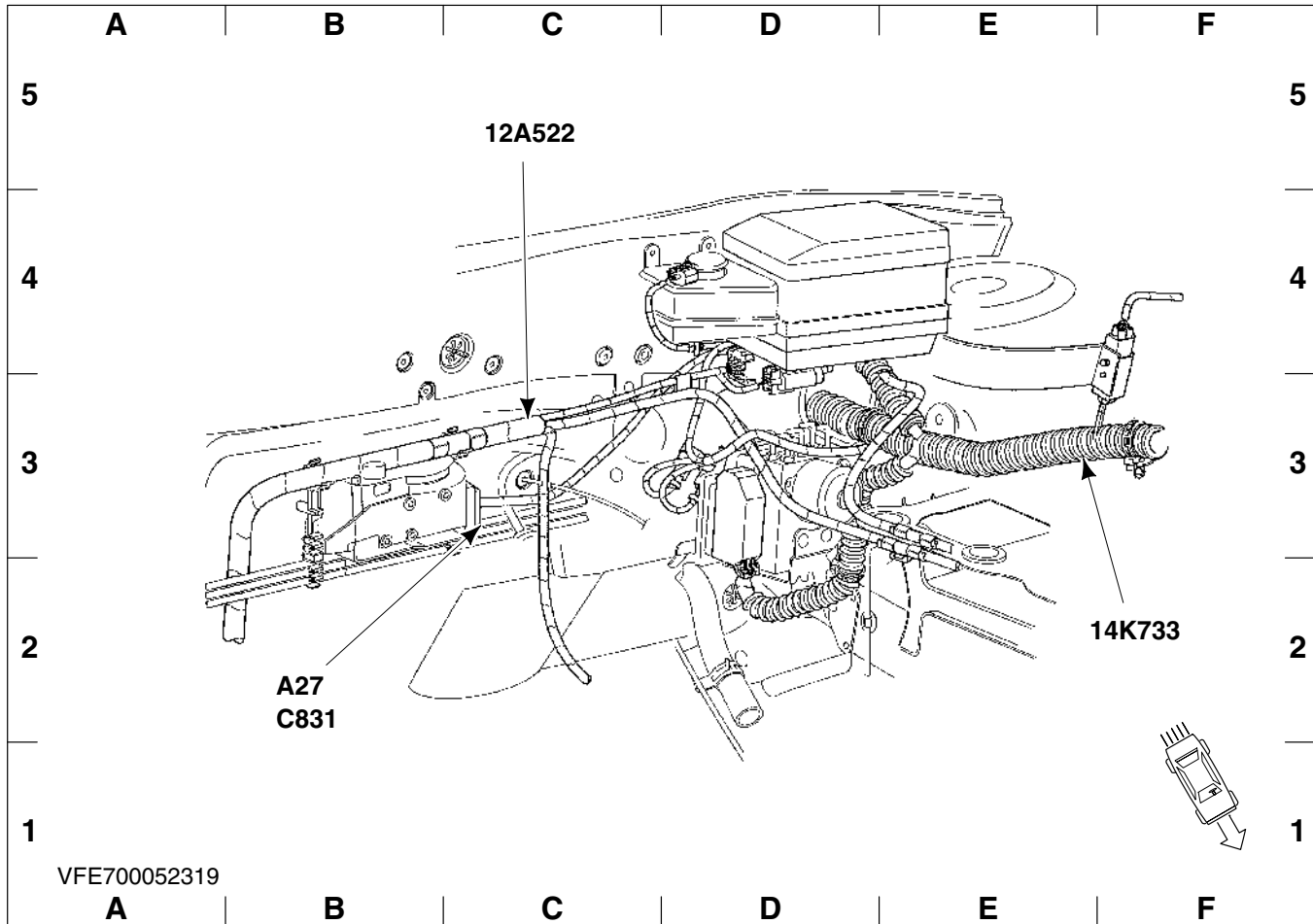
**Engine compartment, LH side**

12A522 Wiring harness – Engine control	.....	A 2	B137 . Battery temperature sensor	.....	E 5
12A522 Wiring harness – Engine control	.....	D 4	C656	.....	E 5
12A522 Wiring harness – Engine control	.....	E 2	C894	.....	B 5
B22 .. Mass Air Flow (MAF) sensor	.....	B 5	C894	.....	D 5
B22 .. Mass Air Flow (MAF) sensor	.....	D 5			



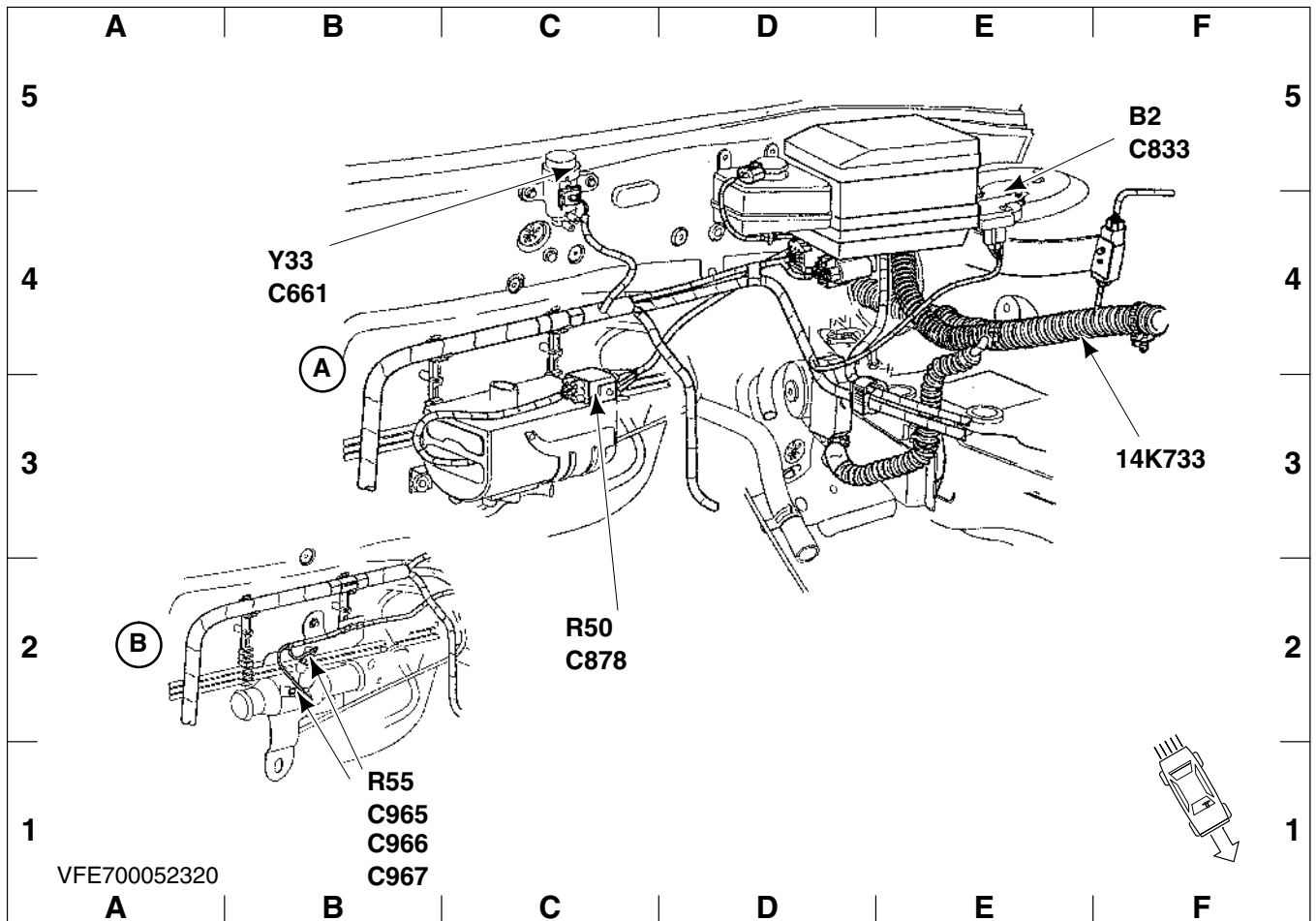
**Ride suspension, front**

B14 ..	Wheel speed sensor, RH side front	....	B 4	C814 .....	B 4
B15 ..	Wheel speed sensor, LH side front	....	B 4	C815 .....	B 4



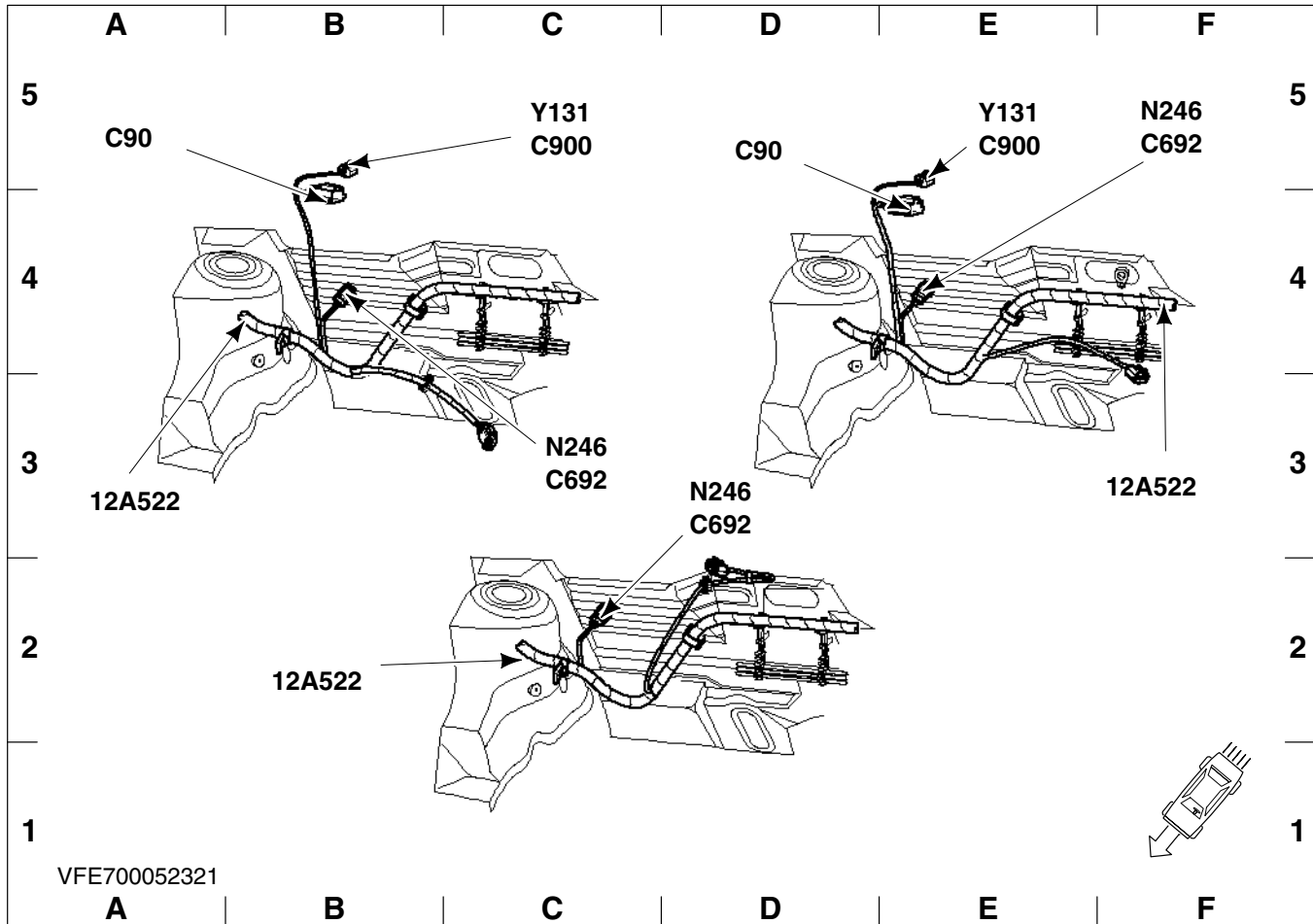
**On engine bulkhead, Petrol engines**

12A522 Wiring harness – Engine control . . . . .	C 5	A27 .. Speed control module .....	B 2
14K733 Wiring harness – Engine compartment ..	F 2	C831 .....	B 2



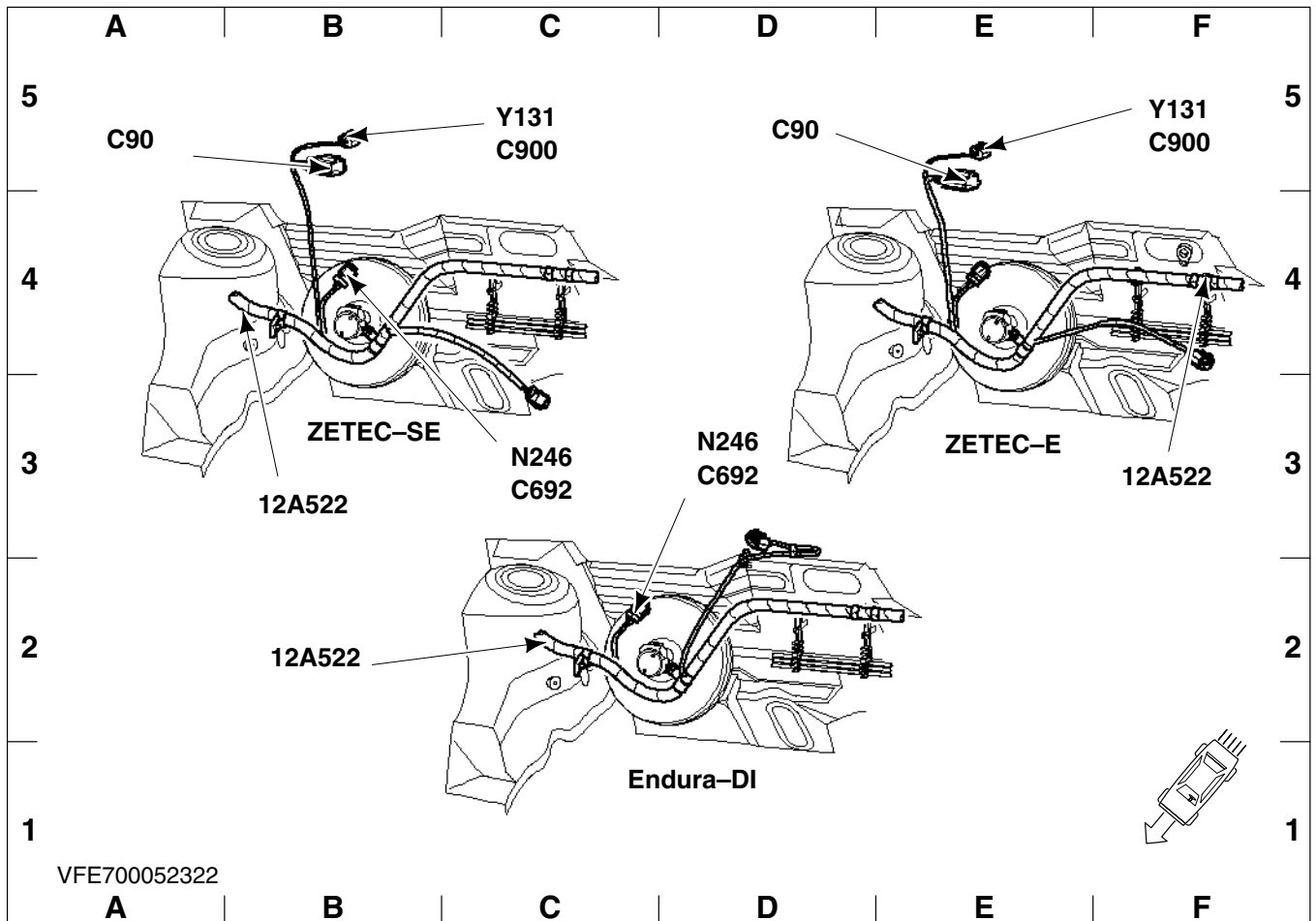
**On engine bulkhead, Diesel engines, A: with booster heater, B: with auxiliary electric coolant heater**

14K733 Wiring harness – Engine compartment ..	F 3	C966 .....	B 1
B2 ... Manifold Absolute Pressure (MAP)		C967 .....	B 1
sensor .....	F 5	R50 .. Booster heater .....	C 2
C661 .....	B 4	R55 .. Auxiliary electric coolant heater .....	B 1
C833 .....	F 5	Y33 .. Electr. Vacuum Regulator (EVR)	
C878 .....	C 2	solenoid valve .....	B 4
C965 .....	B 1		



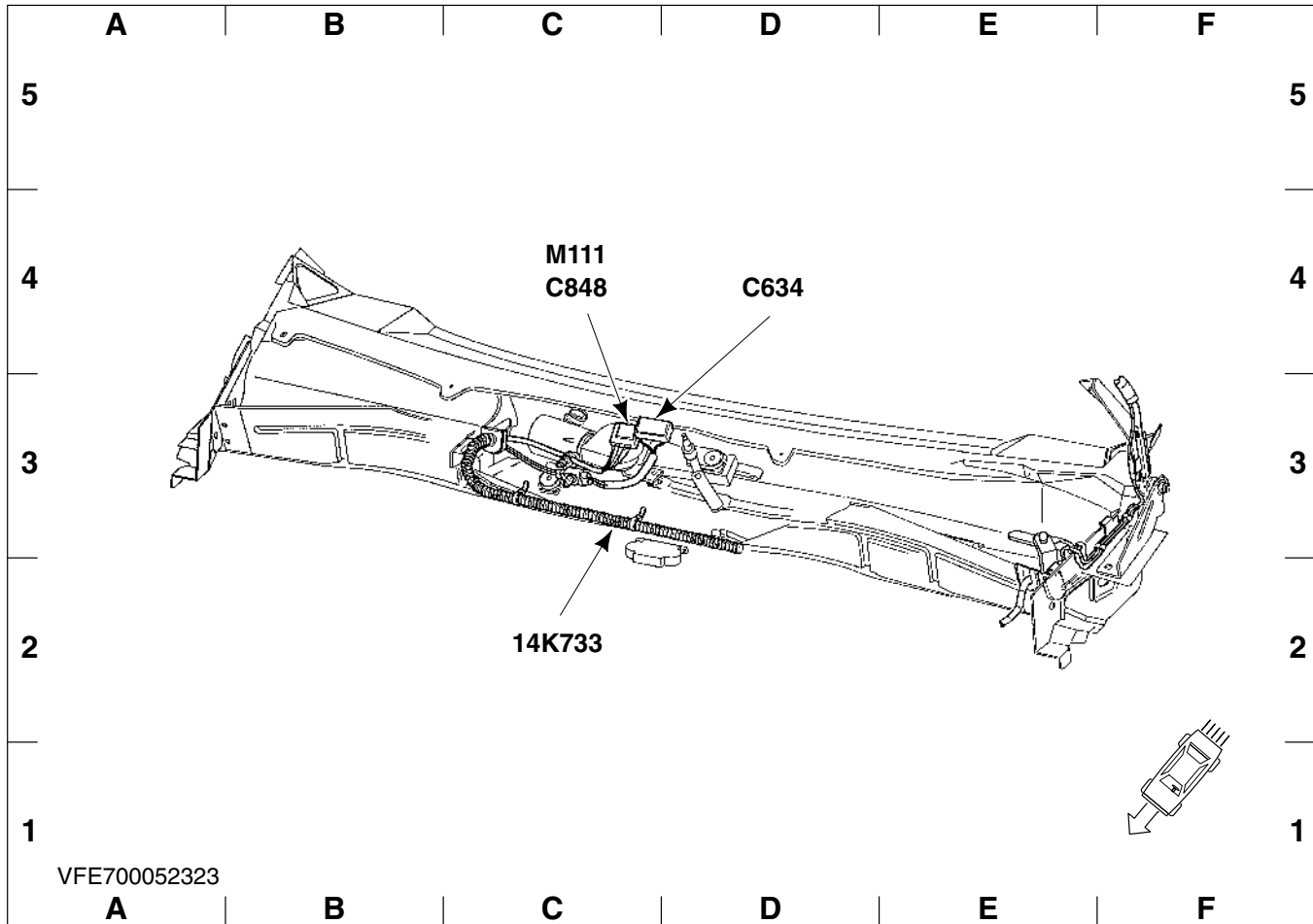
**On engine bulkhead, LHD**

12A522 Wiring harness – Engine control	.....	A 3	C900	.....	E 5
12A522 Wiring harness – Engine control	.....	F 3	N246 . A/C low–pressure switch	.....	C 3
12A522 Wiring harness – Engine control	.....	B 2	N246 . A/C low–pressure switch	.....	F 5
C90	.....	A 5	N246 . A/C low–pressure switch	.....	D 3
C90	.....	D 5	Y131 . Evaporative emission (EVAP)	.....	C 5
C692	.....	C 3	canister vent valve	.....	C 5
C692	.....	F 5	Y131 . Evaporative emission (EVAP)	.....	E 5
C692	.....	D 3	canister vent valve	.....	E 5
C900	.....	C 5			



**On engine bulkhead, RHD**

12A522 Wiring harness – Engine control	.....	B 3	C900	.....	F 5
12A522 Wiring harness – Engine control	.....	F 3	N246 . A/C low–pressure switch	.....	C 3
12A522 Wiring harness – Engine control	.....	B 2	N246 . A/C low–pressure switch	.....	D 3
C90	.....	A 5	Y131 . Evaporative emission (EVAP)		
C90	.....	D 5	canister vent valve	.....	C 5
C692	.....	C 3	Y131 . Evaporative emission (EVAP)		
C692	.....	D 3	canister vent valve	.....	F 5
C900	.....	C 5			

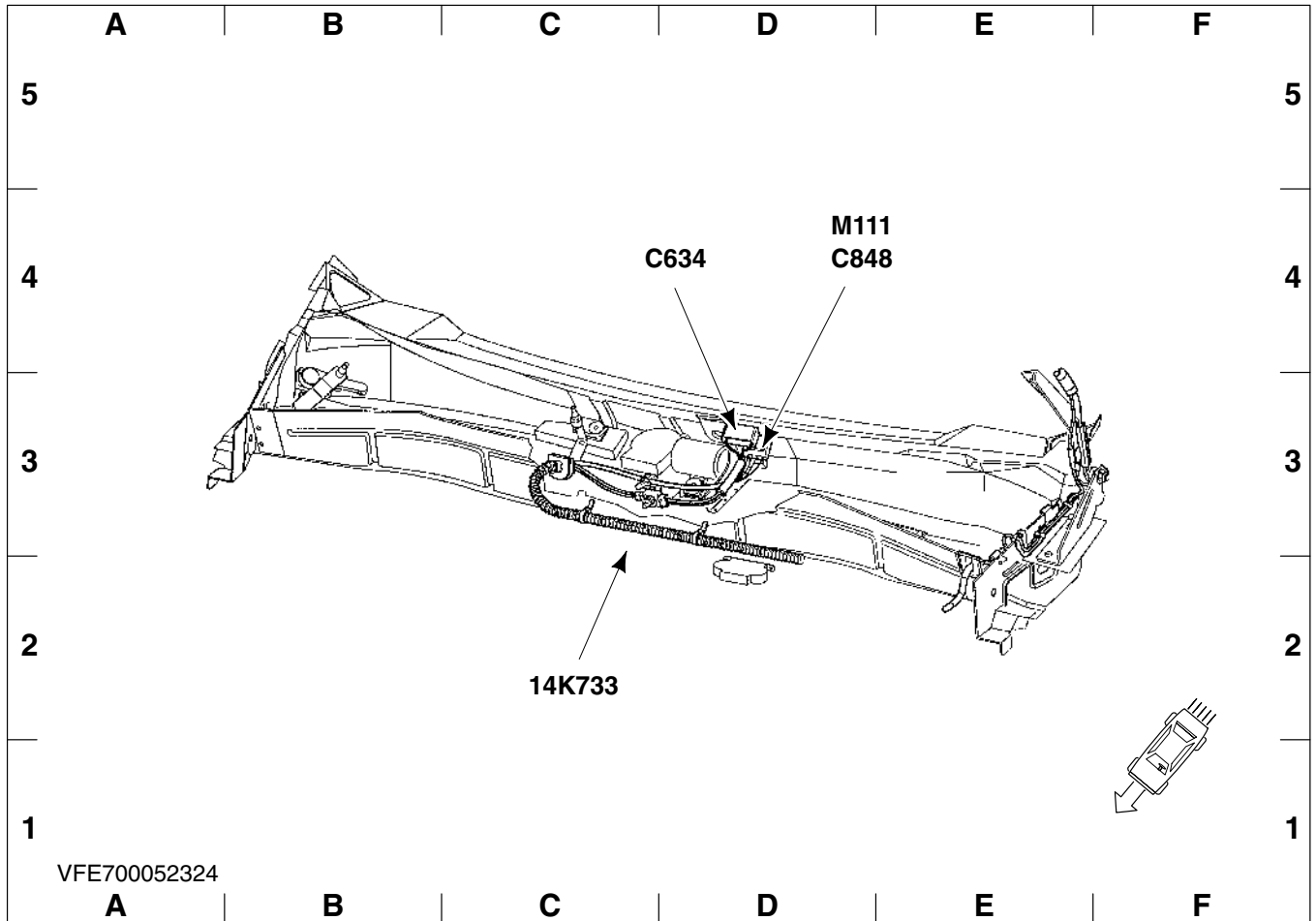


**On engine bulkhead, LHD**

14K733 Wiring harness – Engine compartment . . . . .	C 2	C848 . . . . .	C 4
C634 . . . . .	D 4	M111 Windshield wiper motor . . . . .	C 4

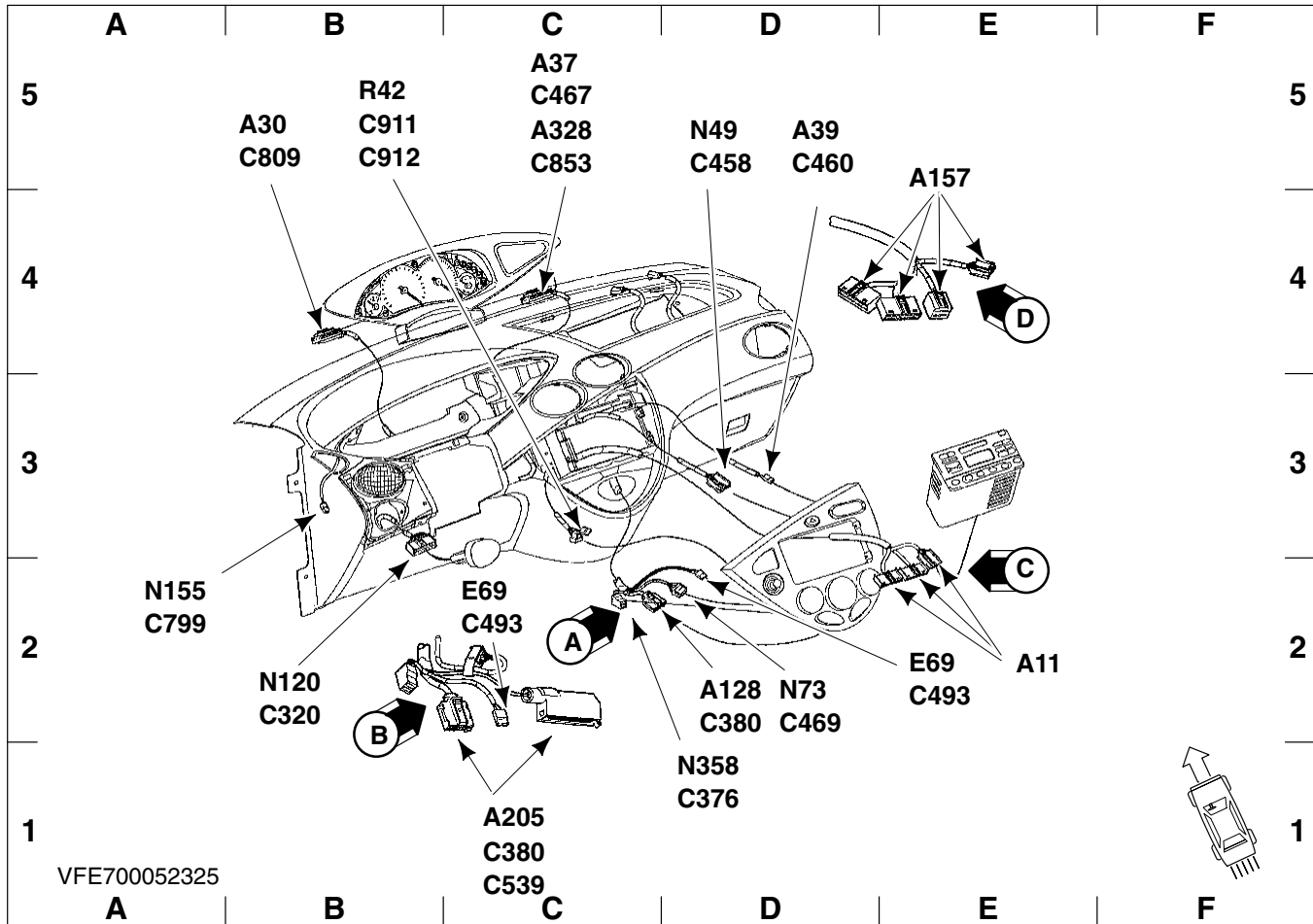


Engine compartment, front



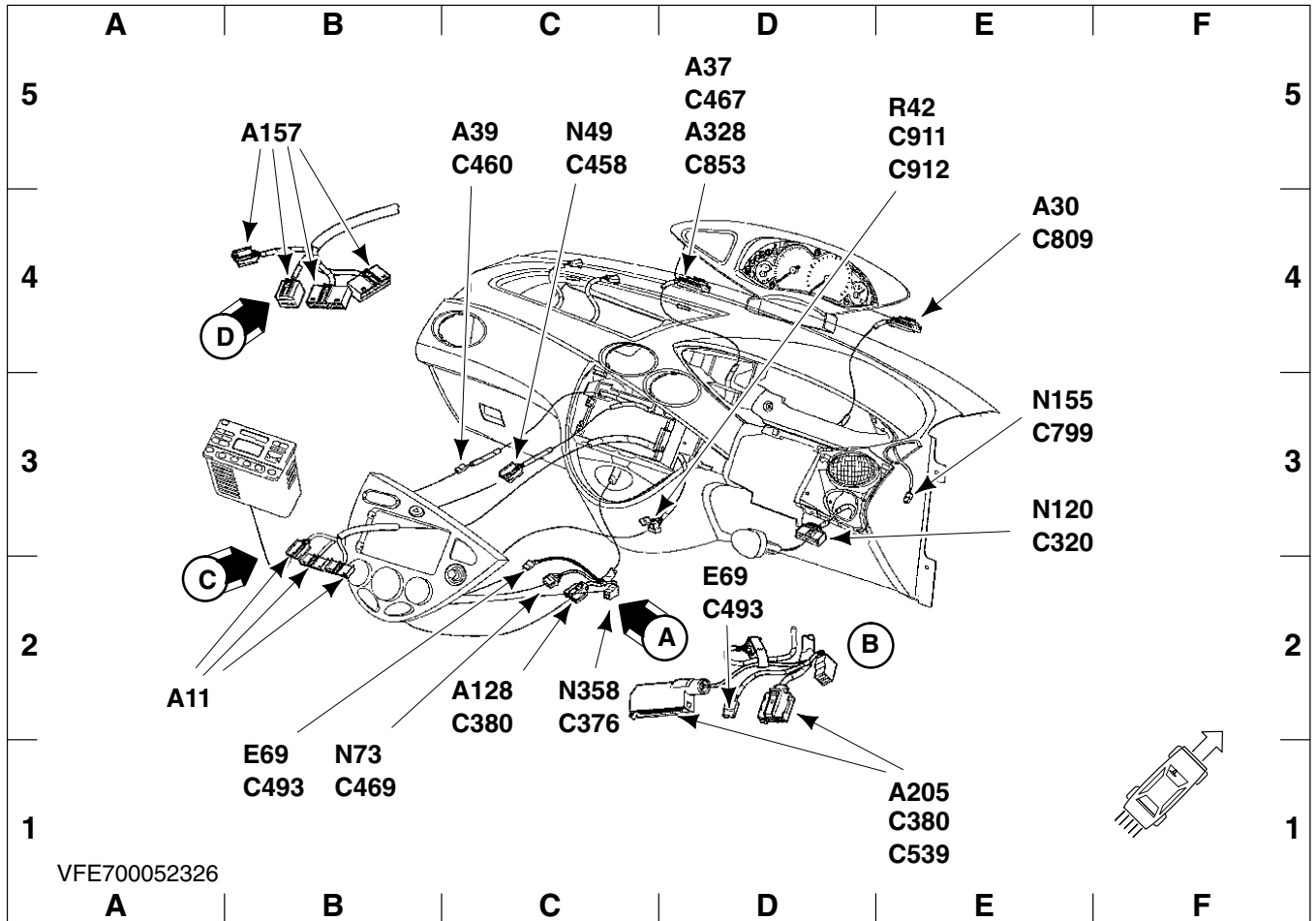
On engine bulkhead, RHD

14K733 Wiring harness – Engine compartment . . . . .	C 2	C848 . . . . .	D 4
C634 . . . . .	D 4	M111 Windshield wiper motor . . . . .	D 4



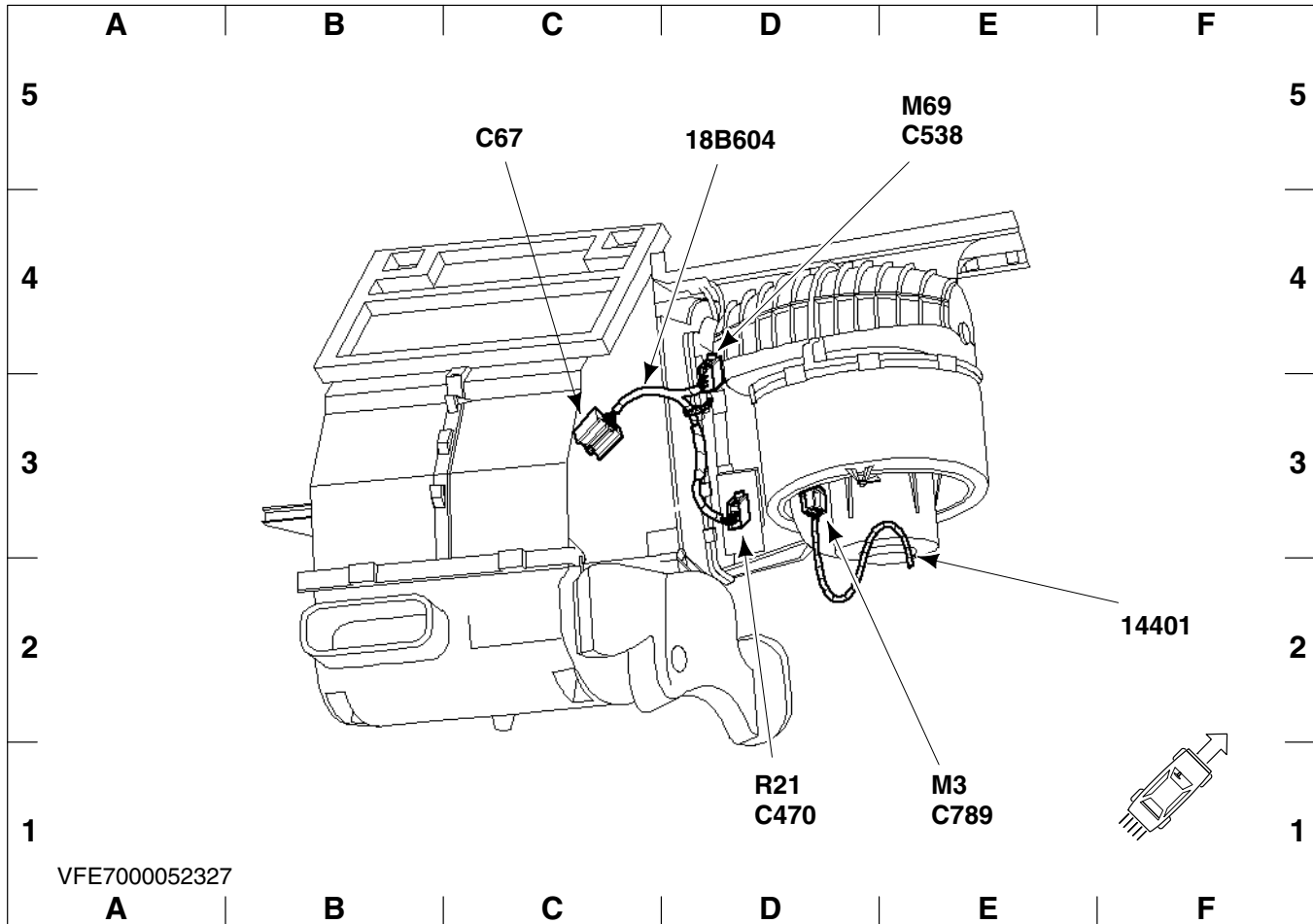
**Dash panel – LHD, A: without EATC, B: with EATC, C: without navigation system, D: with Travel Pilot, with Traffic Pro**

A11 .. Radio .....	E 2	C493 .....	C 2
A30 .. Instrument cluster .....	B 5	C493 .....	E 2
A37 .. Trip computer module .....	C 5	C539 .....	C 1
A39 .. Clock .....	D 5	C799 .....	A 2
A128 .. Heater control module .....	D 2	C809 .....	B 5
A157 .. Audio/navigation control unit .....	E 5	C853 .....	C 5
A205 .. Electronic Automatic Temperature Control (EATC) module .....	C 1	C911 .....	B 5
A328 .. Auxiliary instrument cluster .....	C 5	C912 .....	B 5
C320 .....	B 2	E69 .. Heater panel illumination lamp .....	C 2
C376 .....	D 1	E69 .. Heater panel illumination lamp .....	E 2
C380 .....	C 1	N49 .. Hazard flasher switch .....	D 5
C380 .....	D 2	N73 .. Heater blower switch .....	D 2
C458 .....	D 5	N120 .. Light switch .....	B 2
C460 .....	D 5	N155 .. Tailgate/decklid release switch .....	A 2
C467 .....	C 5	N358 .. Demisting switch .....	D 1
C469 .....	D 2	R42 .. Cigar lighter, front .....	B 5



**Dash panel – RHD, A: without EATC, B: with EATC, C: without navigation system, D: with Travel Pilot, with Traffic Pro**

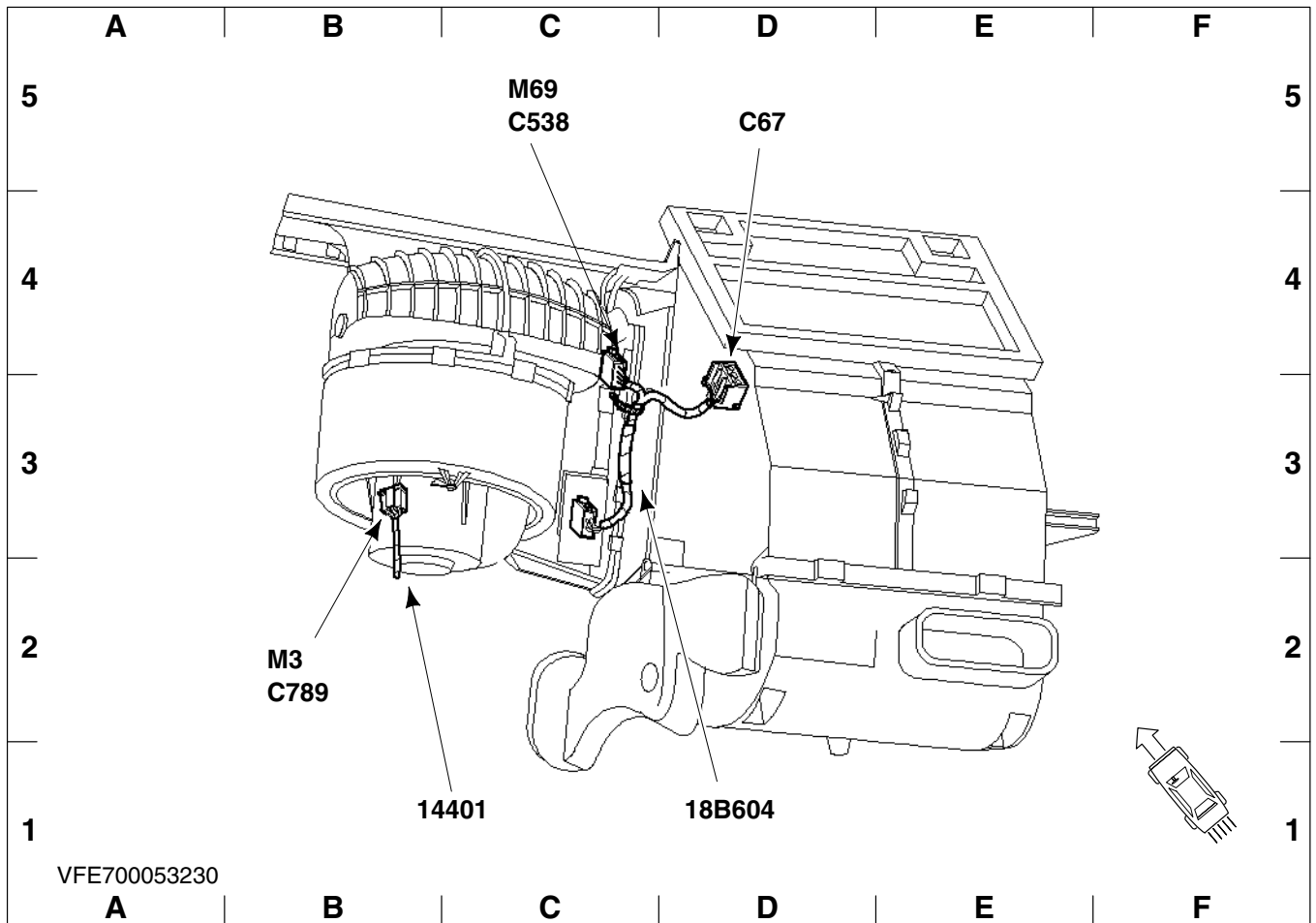
A11 .. Radio .....	A 2	C493 .....	D 2
A30 .. Instrument cluster .....	E 4	C493 .....	B 1
A37 .. Trip computer module .....	D 5	C539 .....	E 1
A39 .. Clock .....	C 5	C799 .....	E 3
A128 .. Heater control module .....	C 2	C809 .....	E 4
A157 .. Audio/navigation control unit .....	B 5	C853 .....	D 5
A205 .. Electronic Automatic Temperature Control (EATC) module .....	E 1	C911 .....	E 5
A328 .. Auxiliary instrument cluster .....	D 5	C912 .....	E 5
C320 .....	E 3	E69 .. Heater panel illumination lamp .....	D 2
C376 .....	C 2	E69 .. Heater panel illumination lamp .....	B 1
C380 .....	E 1	N49 .. Hazard flasher switch .....	C 5
C380 .....	C 2	N73 .. Heater blower switch .....	B 1
C458 .....	C 5	N120 .. Light switch .....	E 3
C460 .....	C 5	N155 .. Tailgate/decklid release switch .....	E 3
C467 .....	D 5	N358 .. Demisting switch .....	C 2
C469 .....	B 1	R42 .. Cigar lighter, front .....	E 5



**Heating/air conditioning housing, LHD, without EATC**

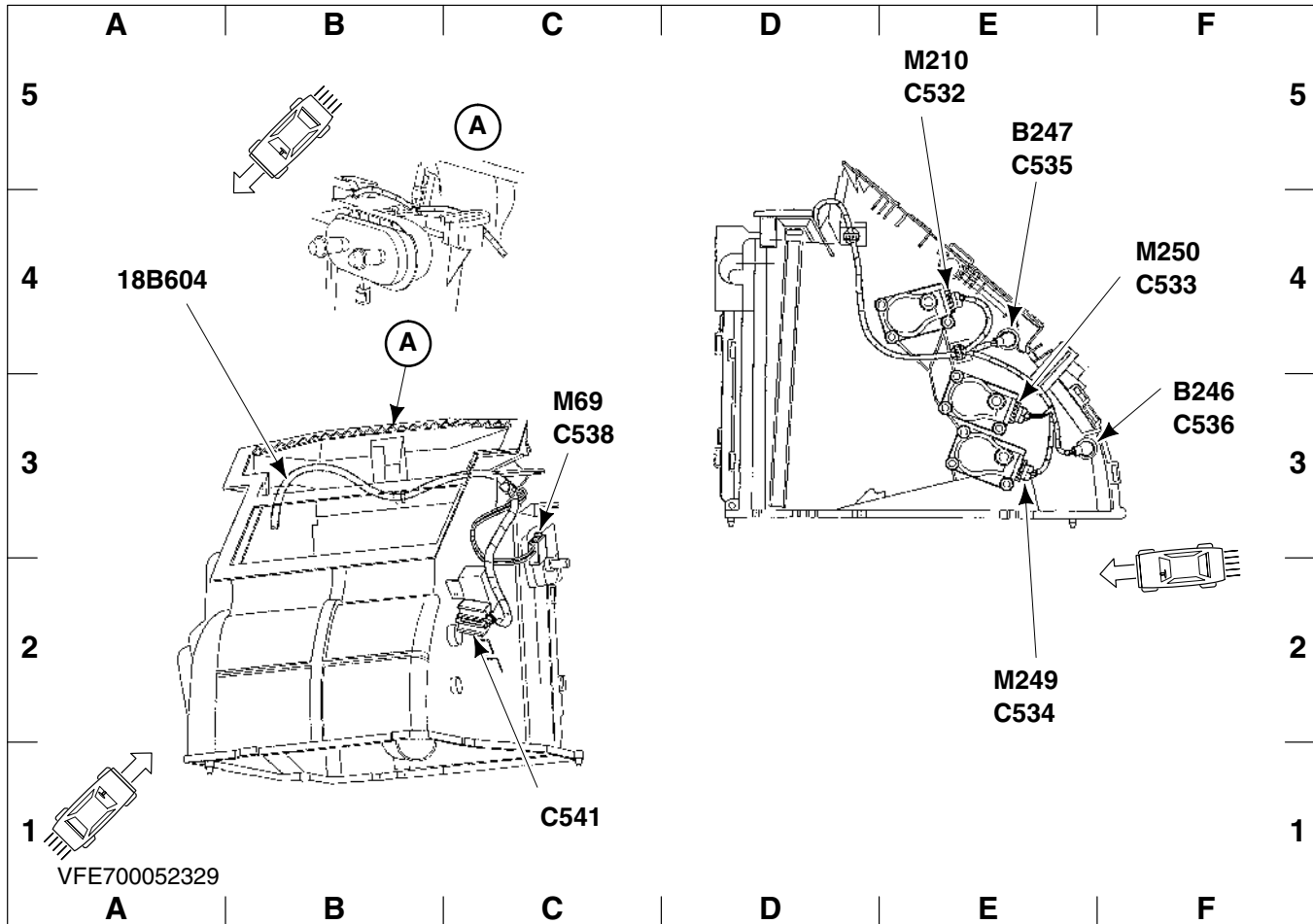
18B604 Wiring harness – Heater control . . . . .	D 5	C789 . . . . .	E 1
14401 Main wiring harness . . . . .	F 2	M3 .. Heater blower motor . . . . .	E 1
C67 . . . . .	C 5	M69 . Recirculation air actuator . . . . .	E 5
C470 . . . . .	D 1	R21 .. Heater blower series resistor . . . . .	D 1
C538 . . . . .	E 5		

Engine compartment, front



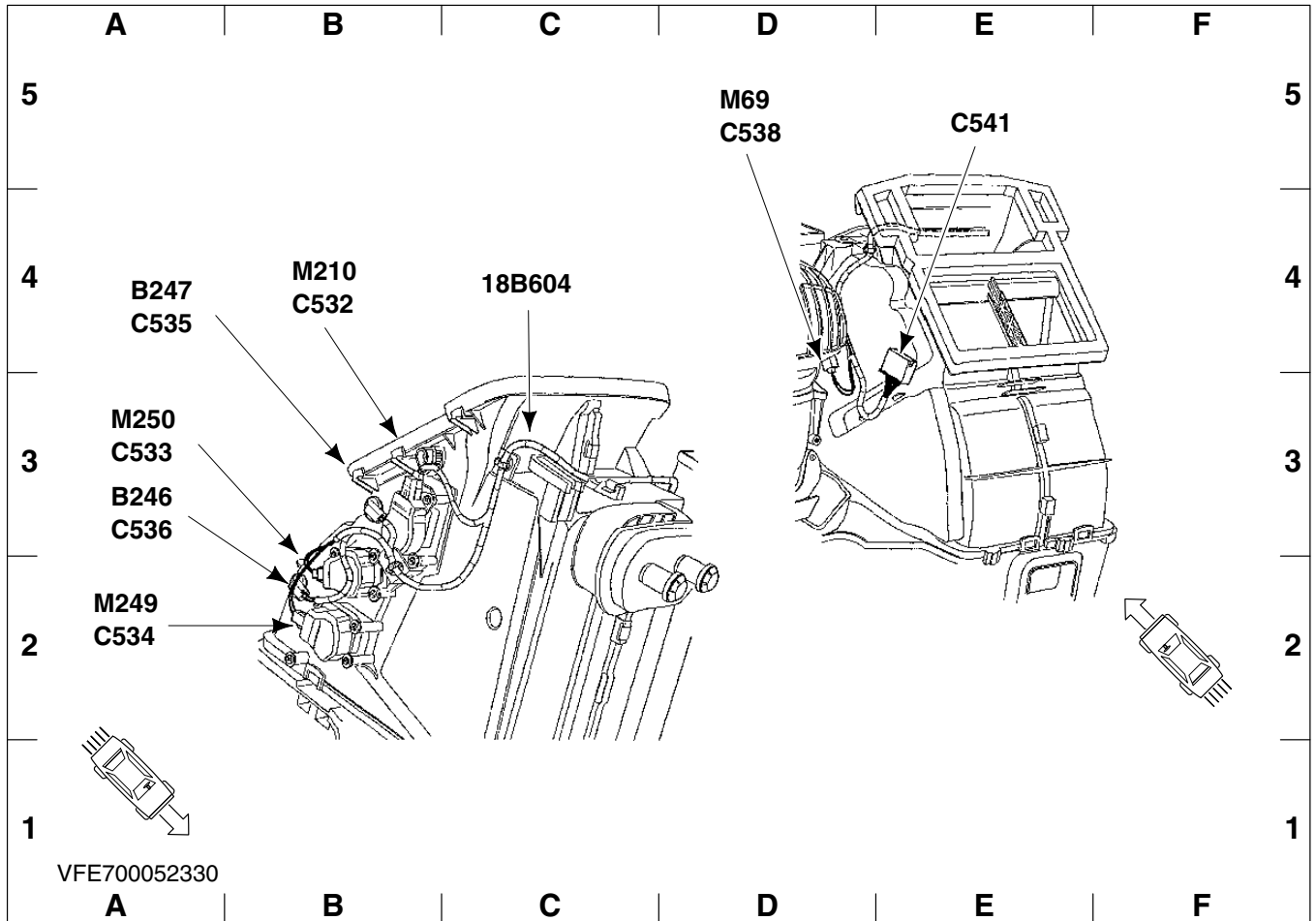
Heating/air conditioning housing, RHD, without EATC

18B604 Wiring harness – Heater control . . . . .	D 1	C789 . . . . .	B 2
14401 Main wiring harness . . . . .	C 1	M3 .. Heater blower motor . . . . .	B 2
C67 . . . . .	D 5	M69 . Recirculation air actuator . . . . .	C 5
C538 . . . . .	C 5		



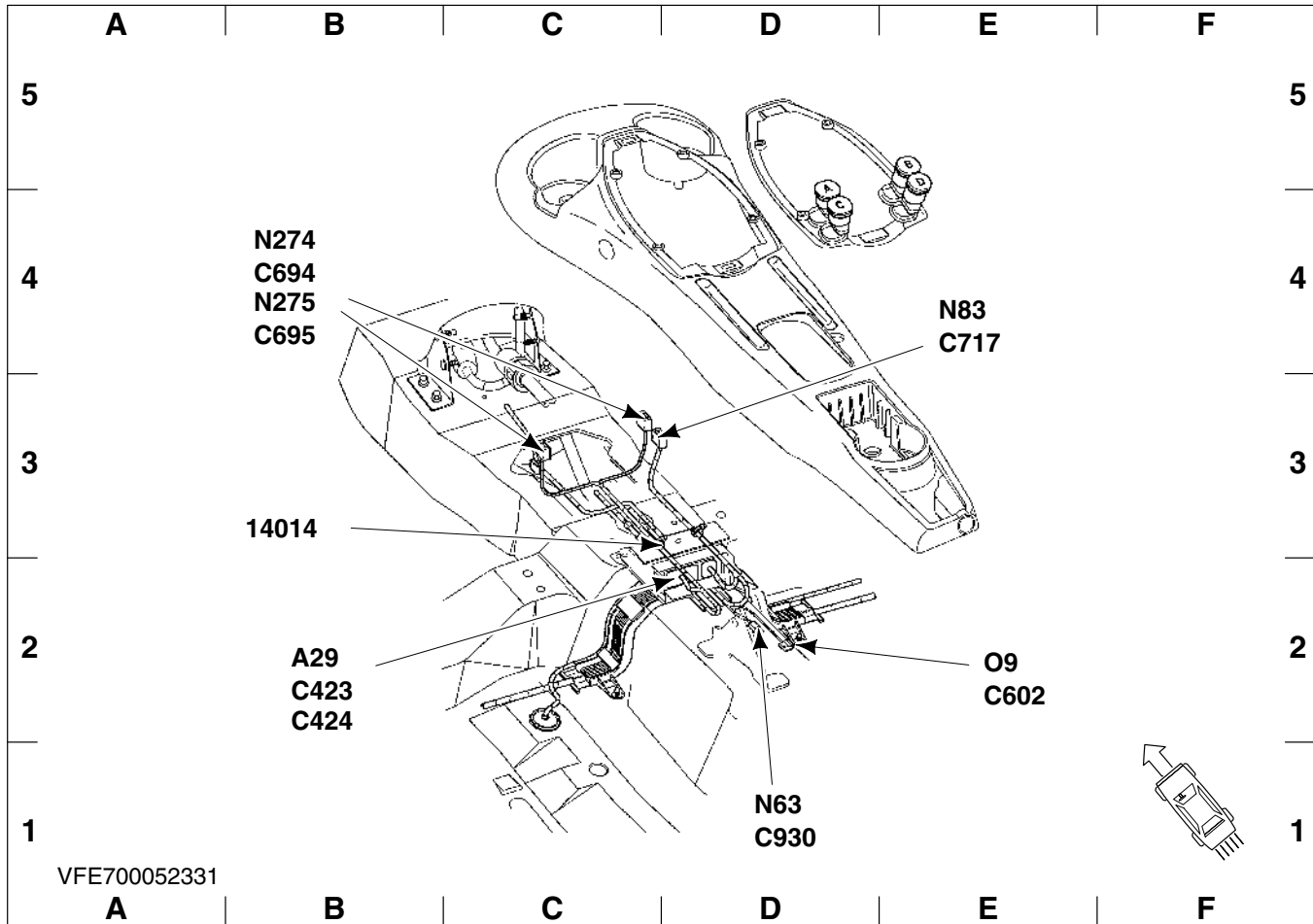
**Heating/air conditioning housing, LHD, with EATC**

18B604 Wiring harness – Heater control . . . . .	A 4	C536 . . . . .	F 3
B246 . Discharge temperature sensor, floor . . . . .	F 3	C538 . . . . .	C 3
B247 . Discharge temperature sensor, panel . . . . .	E 5	C541 . . . . .	C 1
C532 . . . . .	E 5	M69 . Recirculation air actuator . . . . .	C 3
C533 . . . . .	F 4	M210 Defrost mode actuator . . . . .	E 5
C534 . . . . .	E 2	M249 Air temperature mode actuator . . . . .	E 2
C535 . . . . .	E 5	M250 Panel/floor mode actuator . . . . .	F 4



**Heating/air conditioning housing, RHD, with EATC**

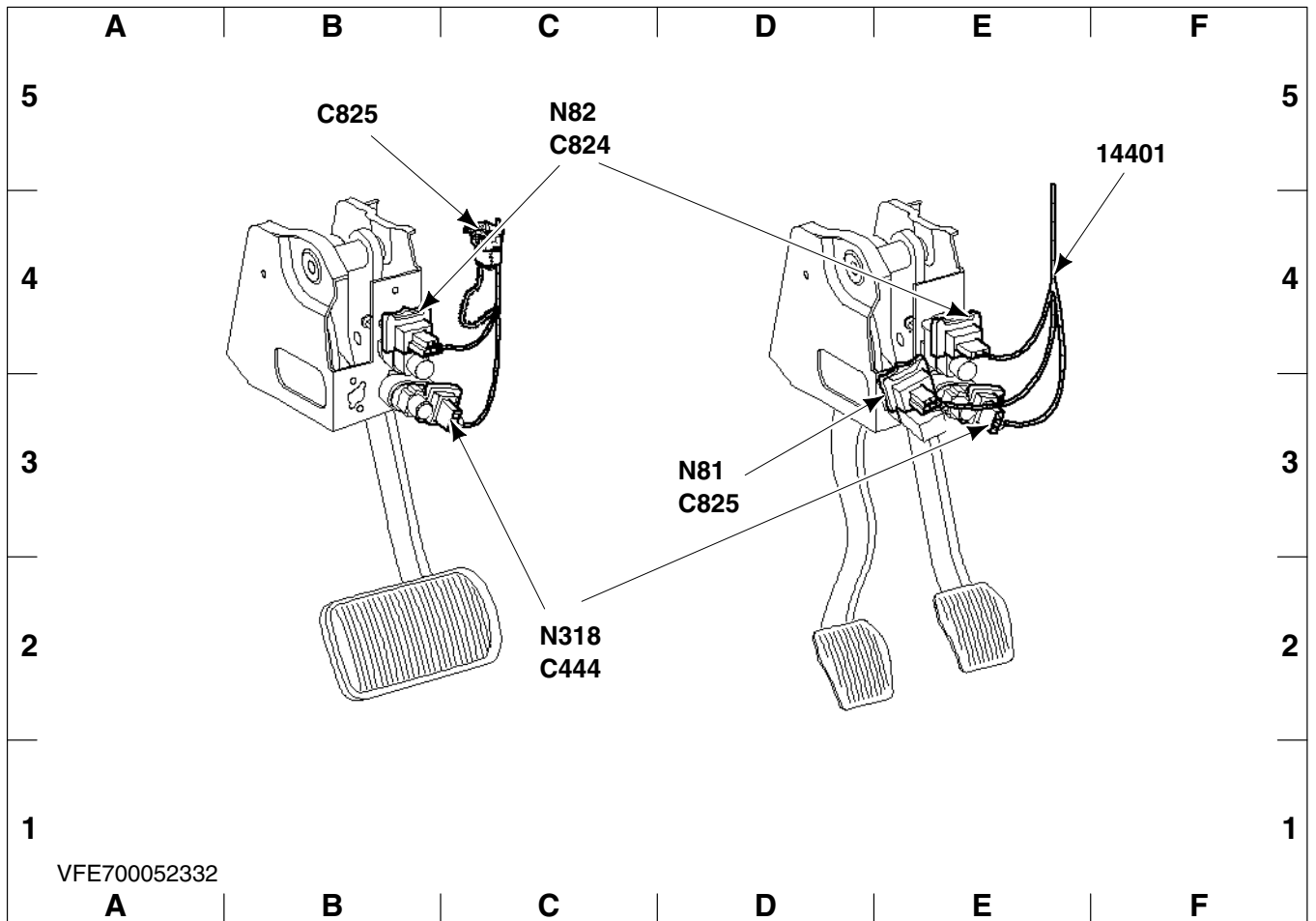
18B604	Wiring harness – Heater control	C 4	C536	.....	A 3
B246	. Discharge temperature sensor, floor	A 3	C538	.....	D 5
B247	. Discharge temperature sensor, panel	A 4	C541	.....	E 5
C532	.....	B 4	M69	. Recirculation air actuator	D 5
C533	.....	A 3	M210	Defrost mode actuator	B 4
C534	.....	A 2	M249	Air temperature mode actuator	A 2
C535	.....	A 4	M250	Panel/floor mode actuator	A 3



**Centre console**

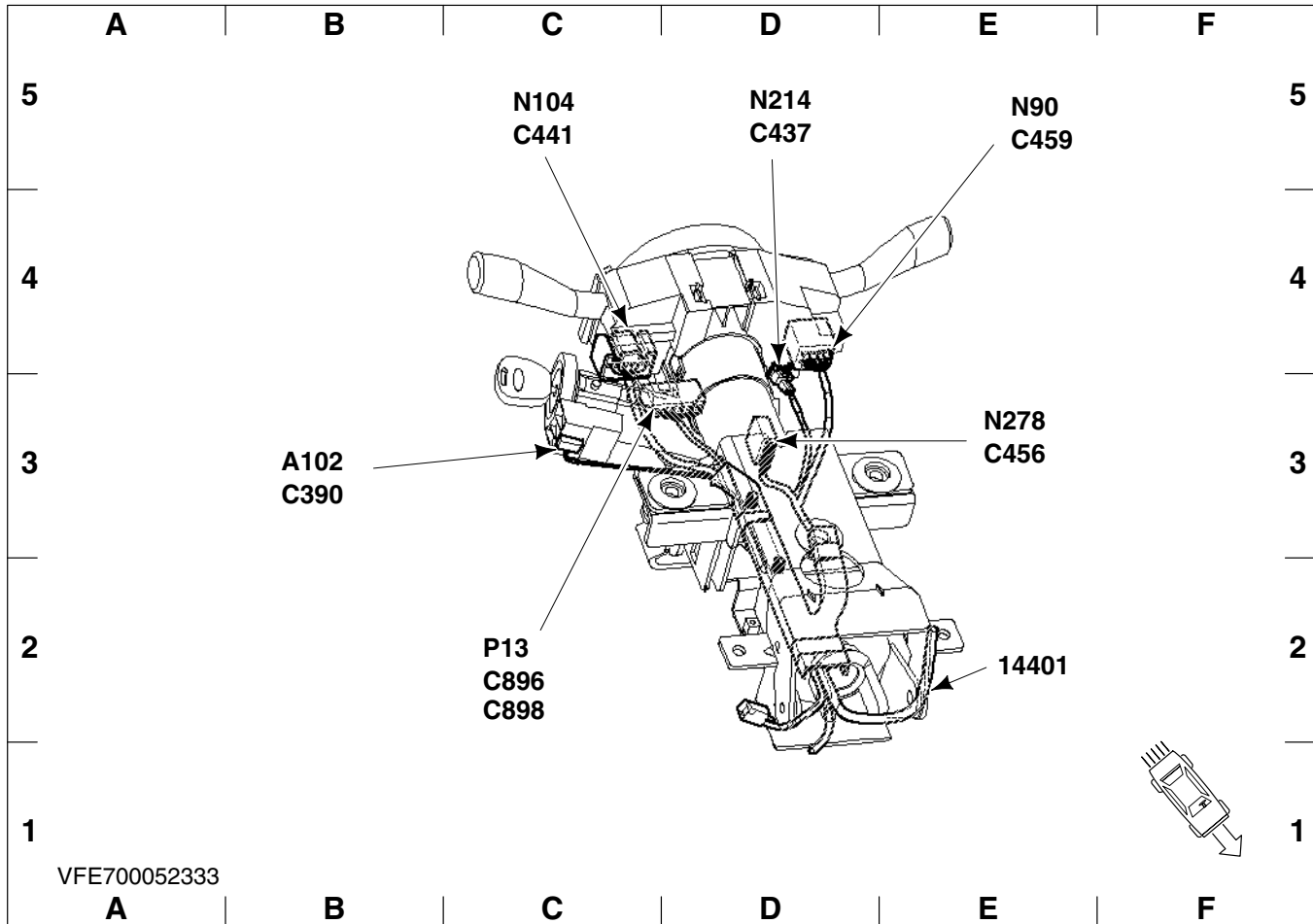
14014	Wiring harness – Door to door	B 3	C930		D 1
A29	Air bag module	B 2	N63	Park brake switch	D 1
C423		B 2	N83	Traction Control System (TCS) disable switch	E 4
C424		B 2	N274	Seat heater switch, driver side	B 4
C602		E 2	N275	Seat heater switch, passenger side	B 4
C694		B 4	O9	Power point 1	E 2
C695		B 4			
C717		E 4			





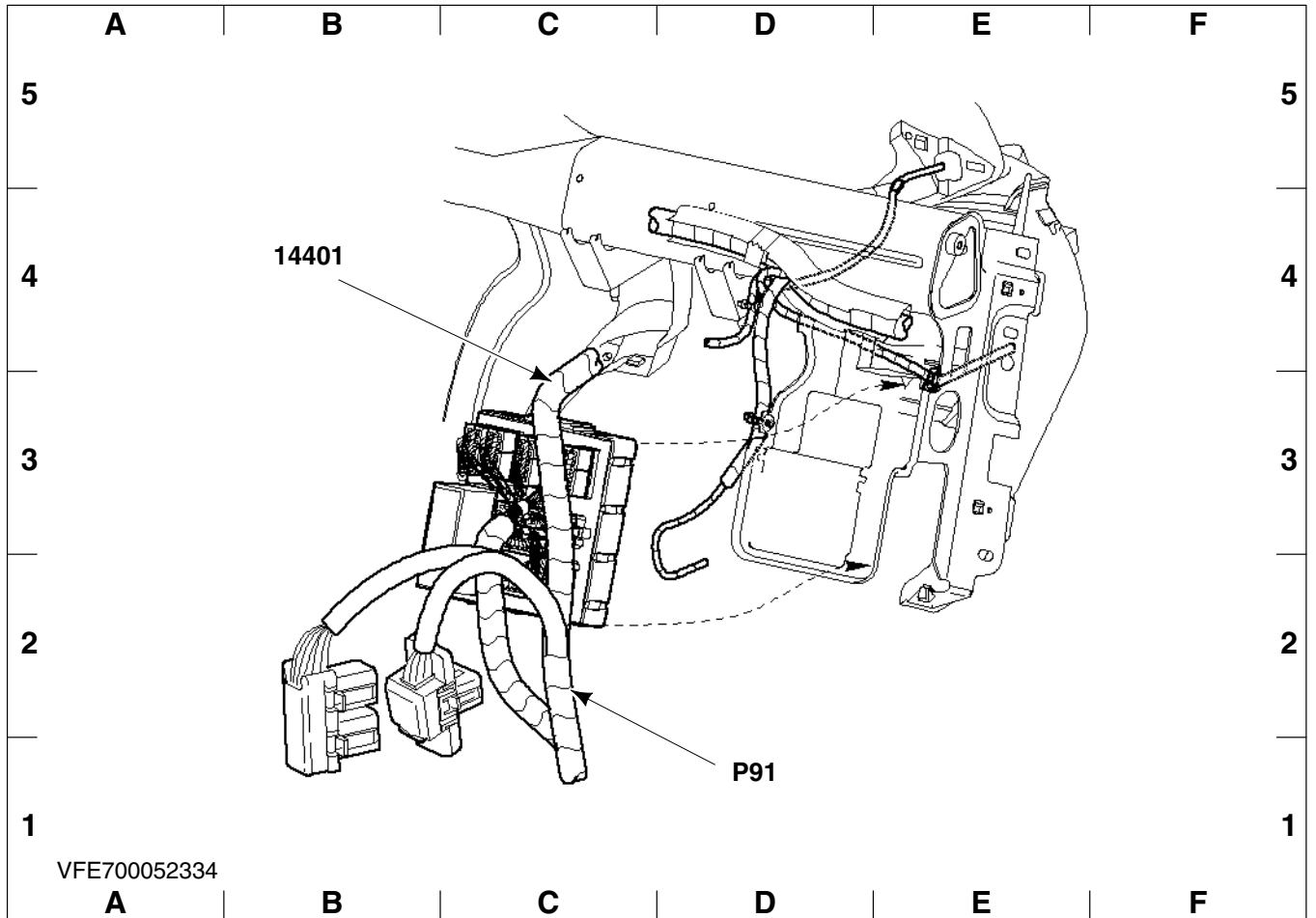
**On brake pedal support**

14401	Main wiring harness	.....	F 5	C825	.....	D 3
C444	.....	.....	C 2	N81	.. Clutch pedal position switch	..... D 3
C824	.....	.....	C 5	N82	.. Brake pedal position switch	..... C 5
C825	.....	.....	B 5	N318	.. Stop lamp switch	..... C 2



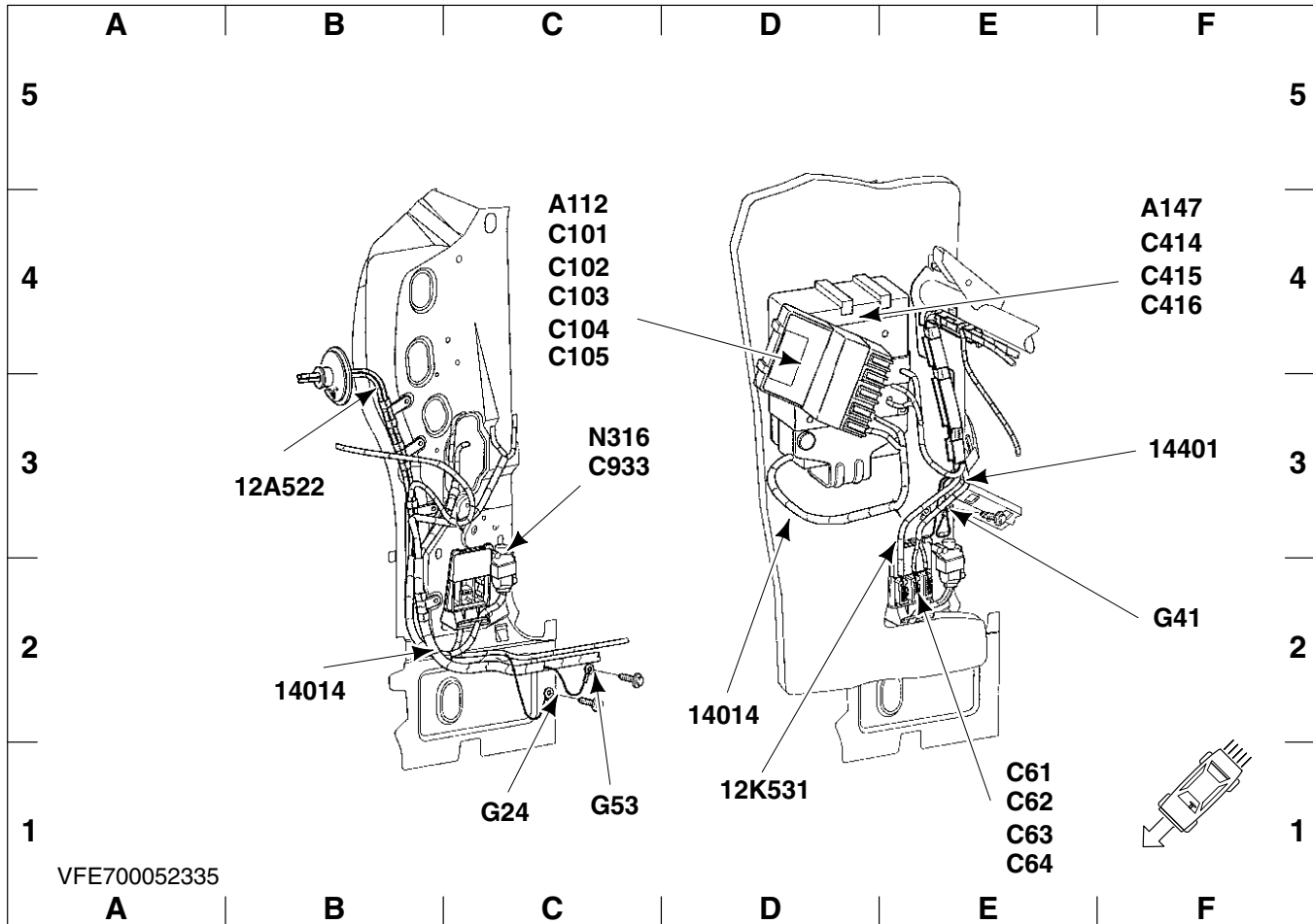
**On steering column**

14401	Main wiring harness	.....	E 2	C896	.....	C 2
A102	Passive anti-theft transceiver module	..	B 3	C898	.....	C 2
C390	.....	.....	B 3	N90	.. Direction indicator switch	..... E 5
C437	.....	.....	D 5	N104	.. Wiper/washer switch	..... C 5
C441	.....	.....	C 5	N214	.. Radio remote control switch	..... D 5
C456	.....	.....	E 3	N278	.. Ignition switch	..... E 3
C459	.....	.....	E 5	P13	.. Clock spring	..... C 2



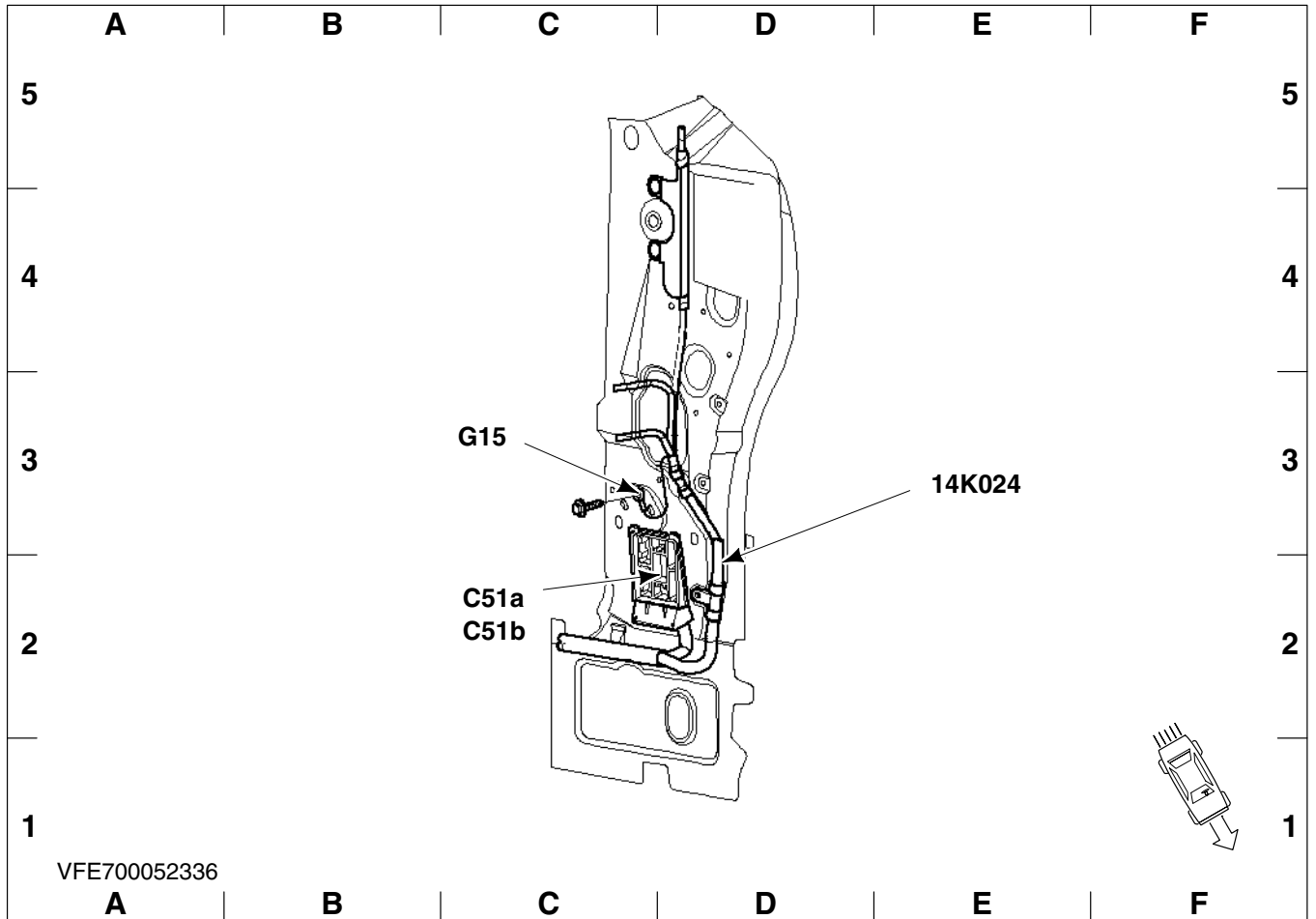
**Behind dash panel, LH side**

14401	Main wiring harness	.....	B 4		P91	..	Central Junction Box (CJB)	.....	D 1
-------	---------------------	-------	-----	--	-----	----	----------------------------	-------	-----



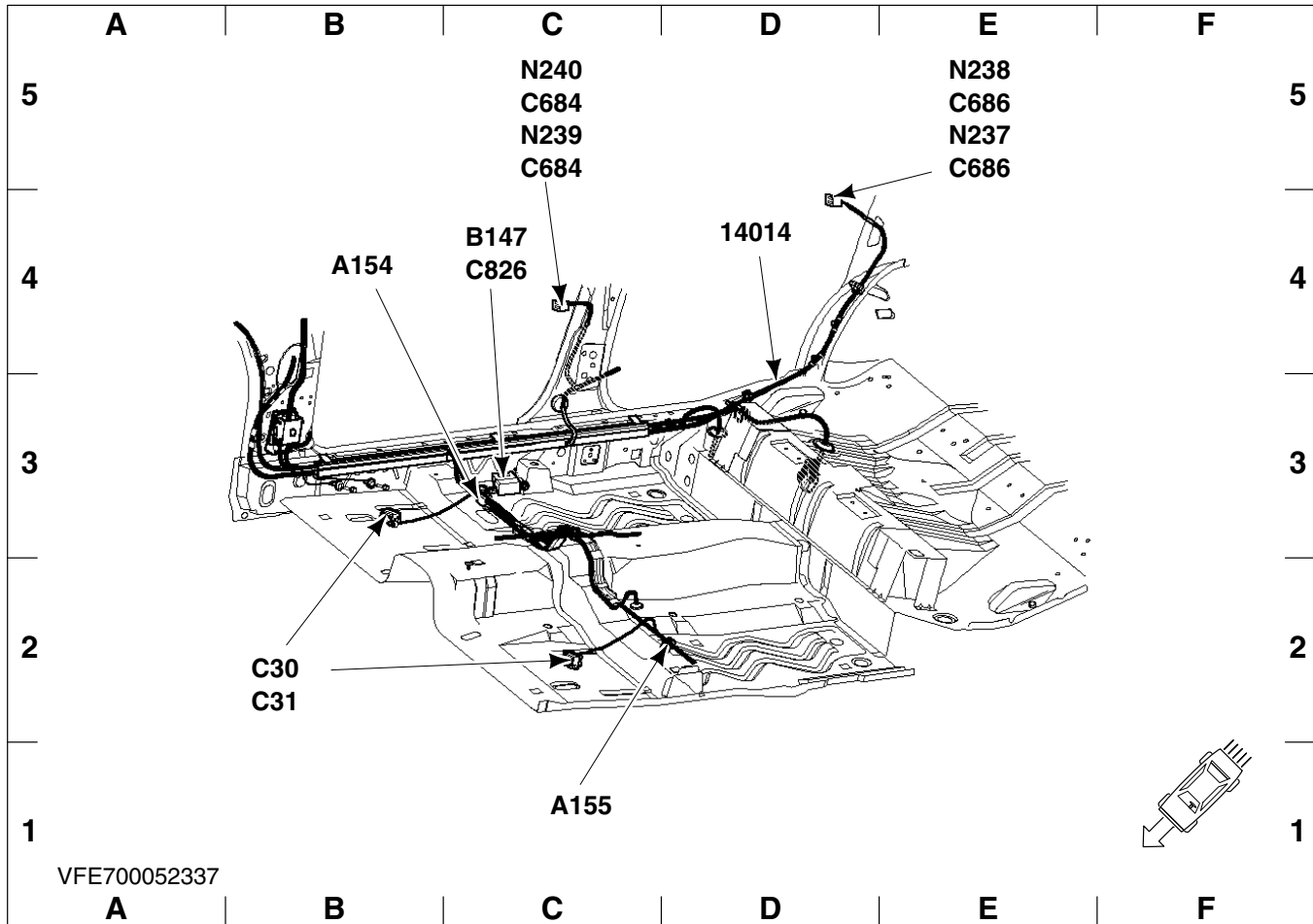
**RH A-pillar**

12A522 Wiring harness – Engine control . . . . .	B 3	C102 . . . . .	C 4
12K531 Wiring harness – Accelerator to engine control . . . . .	D 1	C103 . . . . .	C 4
14014 Wiring harness – Door to door . . . . .	B 2	C104 . . . . .	C 4
14014 Wiring harness – Door to door . . . . .	D 2	C105 . . . . .	C 4
14401 Main wiring harness . . . . .	F 3	C414 . . . . .	F 4
A112 . Generic Electronic Module (GEM) . . . . .	C 4	C415 . . . . .	F 4
A147 . Powertrain control module (PCM) . . . . .	F 4	C416 . . . . .	F 4
C61 . . . . .	E 1	C933 . . . . .	C 3
C62 . . . . .	E 1	G24 . . . . .	C 1
C63 . . . . .	E 1	G41 . . . . .	F 2
C64 . . . . .	E 1	G53 . . . . .	C 1
C101 . . . . .	C 4	N316 . Inertia Fuel Shutoff (IFS) switch . . . . .	C 3



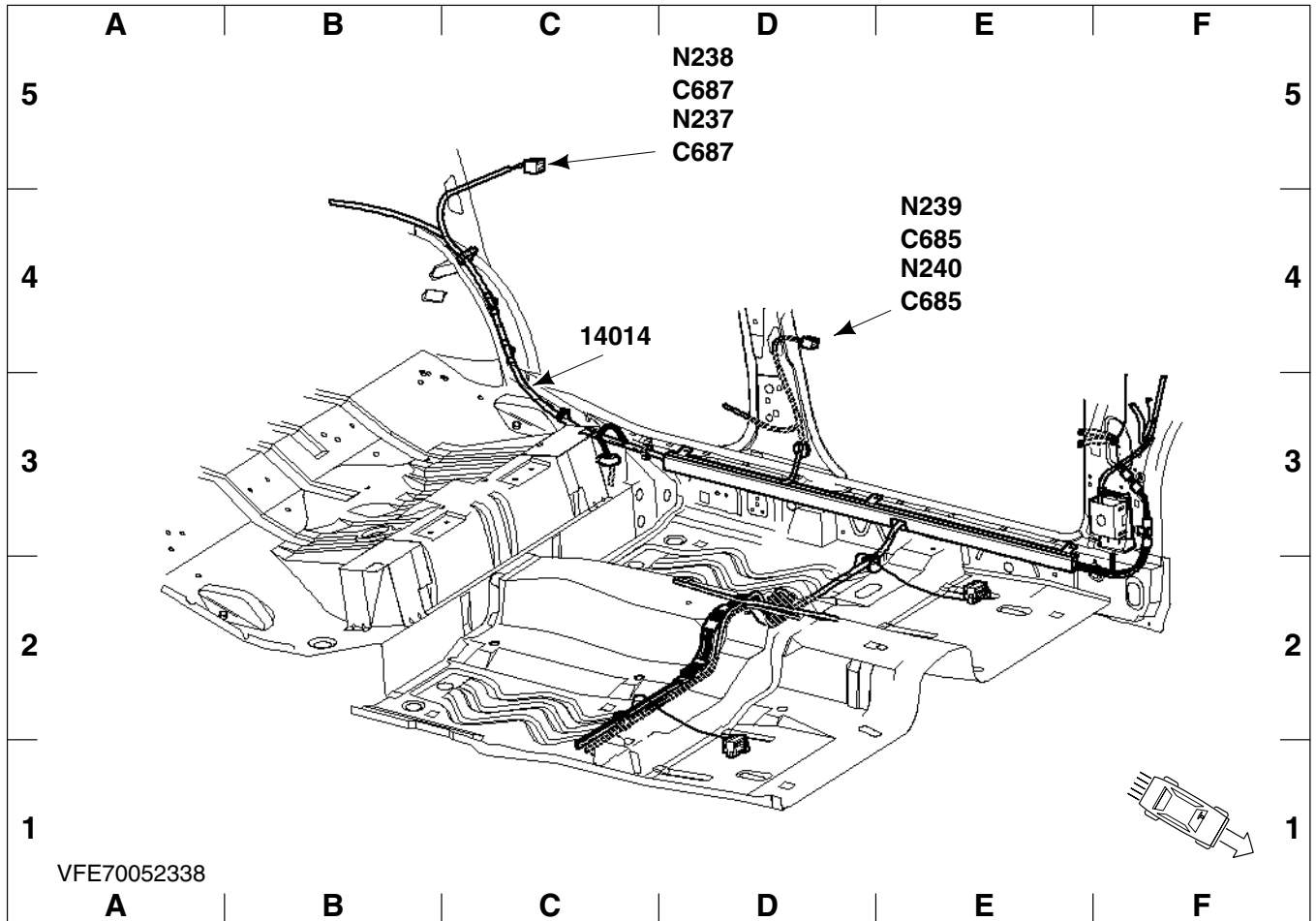
**LH A-pillar**

14K024 Wiring harness – Dash panel	..... E 3	C51b	..... C 2
C51a	..... C 2	G15	..... C 3



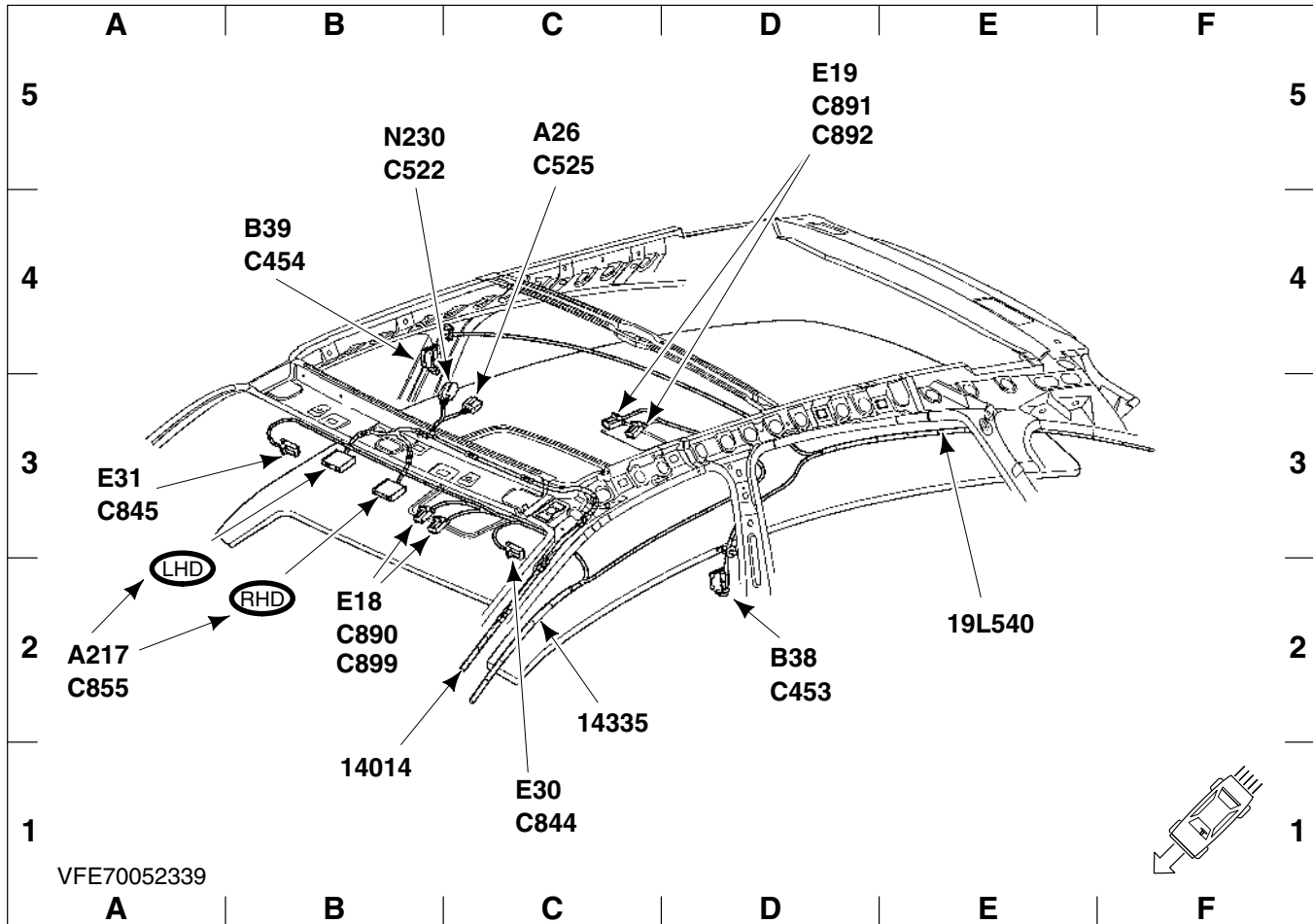
**Vehicle floor, RH side**

14014	Wiring harness – Door to door	D 4	C686	E 5	
A154	Side air bag module, RH side	B 4	C686	E 5	
A155	Side air bag module, LH side	C 1	C826	C 4	
B147	Gas temperature sensor (CNG)	C 4	N237	Door ajar switch, driver side rear	E 5
C30		B 2	N238	Door ajar switch, passenger side rear	E 5
C31		B 2	N239	Door ajar switch, driver side front	C 5
C684		C 5	N240	Door ajar switch, passenger side front	C 5
C684		C 5			



**Vehicle floor, LH side**

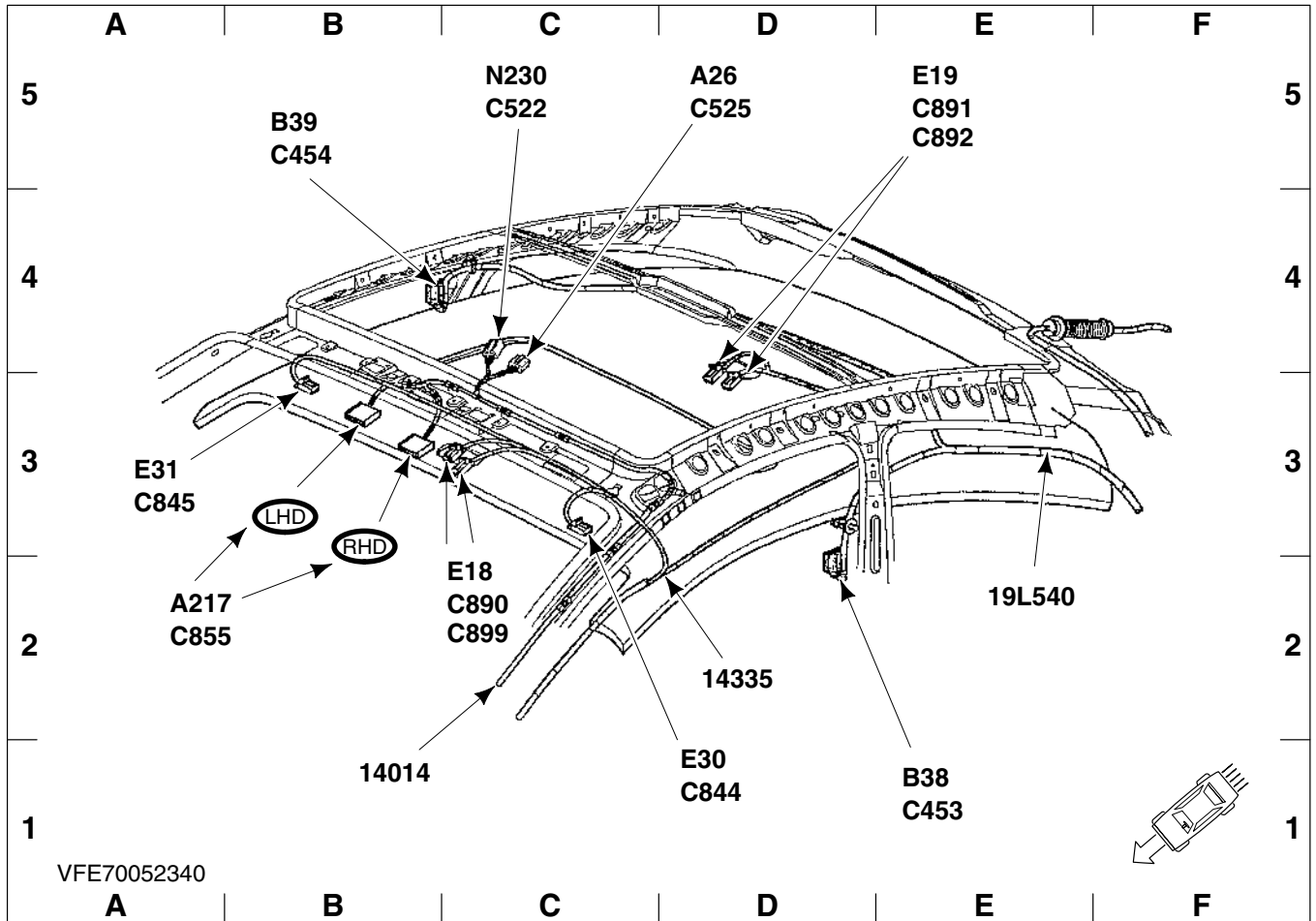
14014	Wiring harness – Door to door	C 4	N237	Door ajar switch, driver side rear	D 5
C685		E 4	N238	Door ajar switch, passenger side rear	D 5
C685		E 4	N239	Door ajar switch, driver side front	E 4
C687		D 5	N240	Door ajar switch, passenger side front	E 4
C687		D 5			



**In roof, 4-door model**

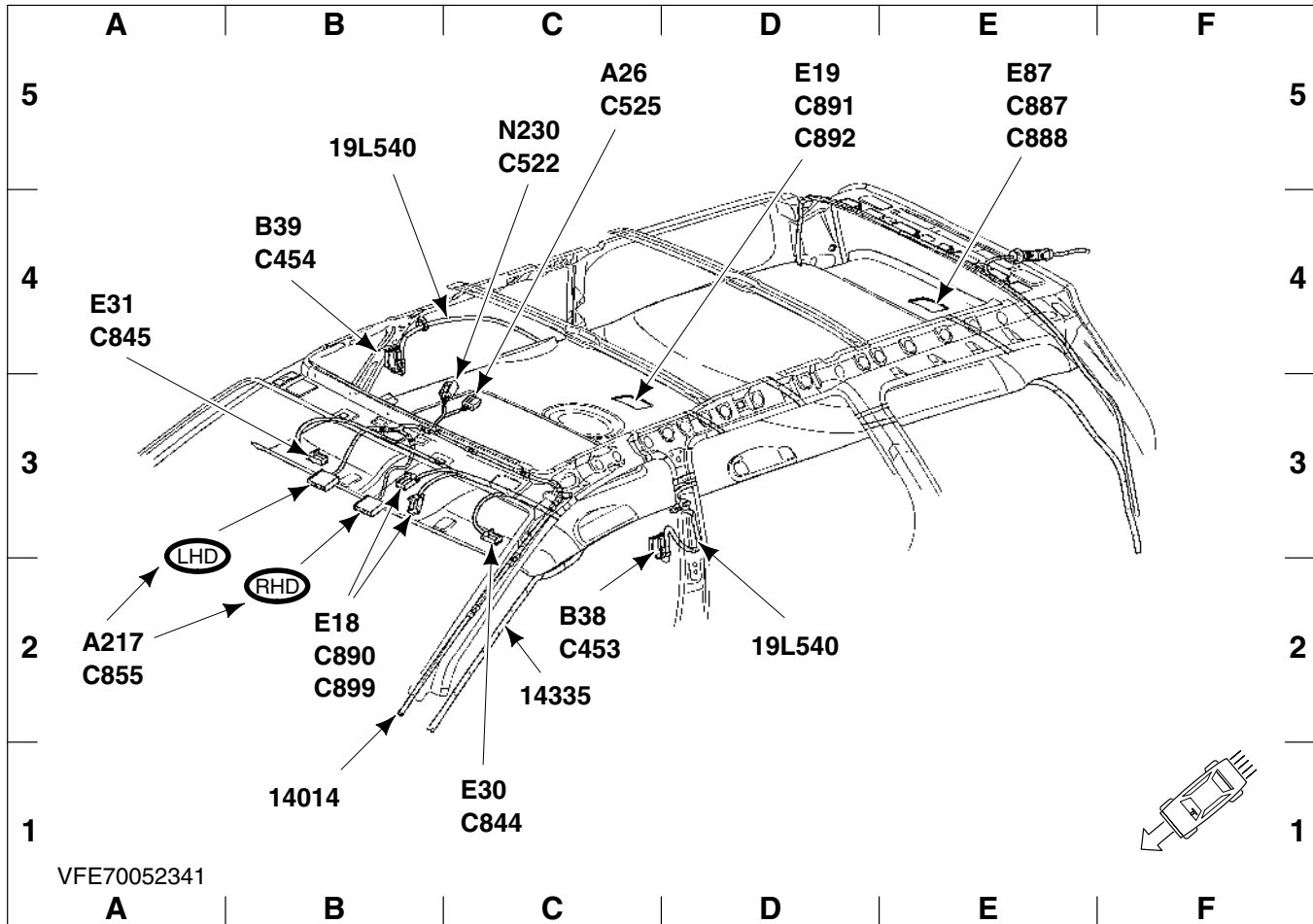
19L540	Wiring harness – Anti-theft alarm	E 2	C845	.....	A 3
14014	Wiring harness – Door to door	B 1	C855	.....	A 2
14335	Wiring harness – Interior illumination	C 2	C890	.....	B 2
A26	Sunroof unit	C 5	C891	.....	D 5
A217	Rain sensor module	A 2	C892	.....	D 5
B38	Anti-theft interior scan sensor, LH side	D 2	C899	.....	B 2
B39	Anti-theft interior scan sensor, RH side	B 4	E18	.. Interior lamp, front	B 2
C453	.....	D 2	E19	.. Interior lamp, rear	D 5
C454	.....	B 4	E30	.. LH Vanity mirror lamp	C 1
C522	.....	B 5	E31	.. RH Vanity mirror lamp	A 3
C525	.....	C 5	N230	.. Sunroof adjust switch	B 5
C844	.....	C 1			





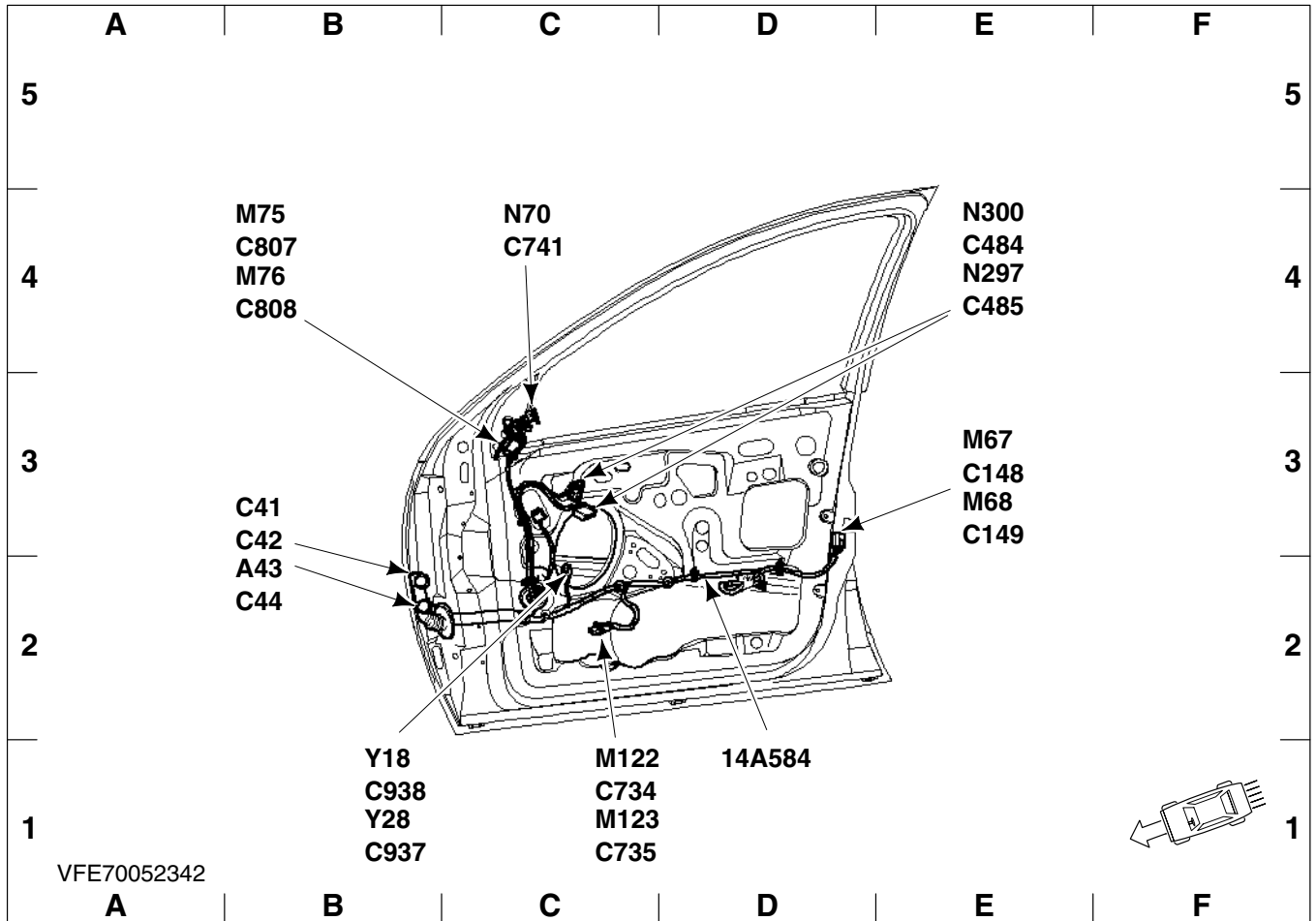
**In roof, 3-door model/5-door model**

19L540	Wiring harness – Anti-theft alarm	E 2	C845	.....	A 3
14014	Wiring harness – Door to door	B 1	C855	.....	A 2
14335	Wiring harness – Interior illumination	D 2	C890	.....	C 2
A26	Sunroof unit	D 5	C891	.....	E 5
A217	Rain sensor module	A 2	C892	.....	E 5
B38	Anti-theft interior scan sensor, LH side	E 1	C899	.....	C 2
B39	Anti-theft interior scan sensor, RH side	B 5	E18	.. Interior lamp, front	C 2
C453	.....	E 1	E19	.. Interior lamp, rear	E 5
C454	.....	B 5	E30	.. LH Vanity mirror lamp	D 1
C522	.....	C 5	E31	.. RH Vanity mirror lamp	A 3
C525	.....	D 5	N230	.. Sunroof adjust switch	C 5
C844	.....	D 1			



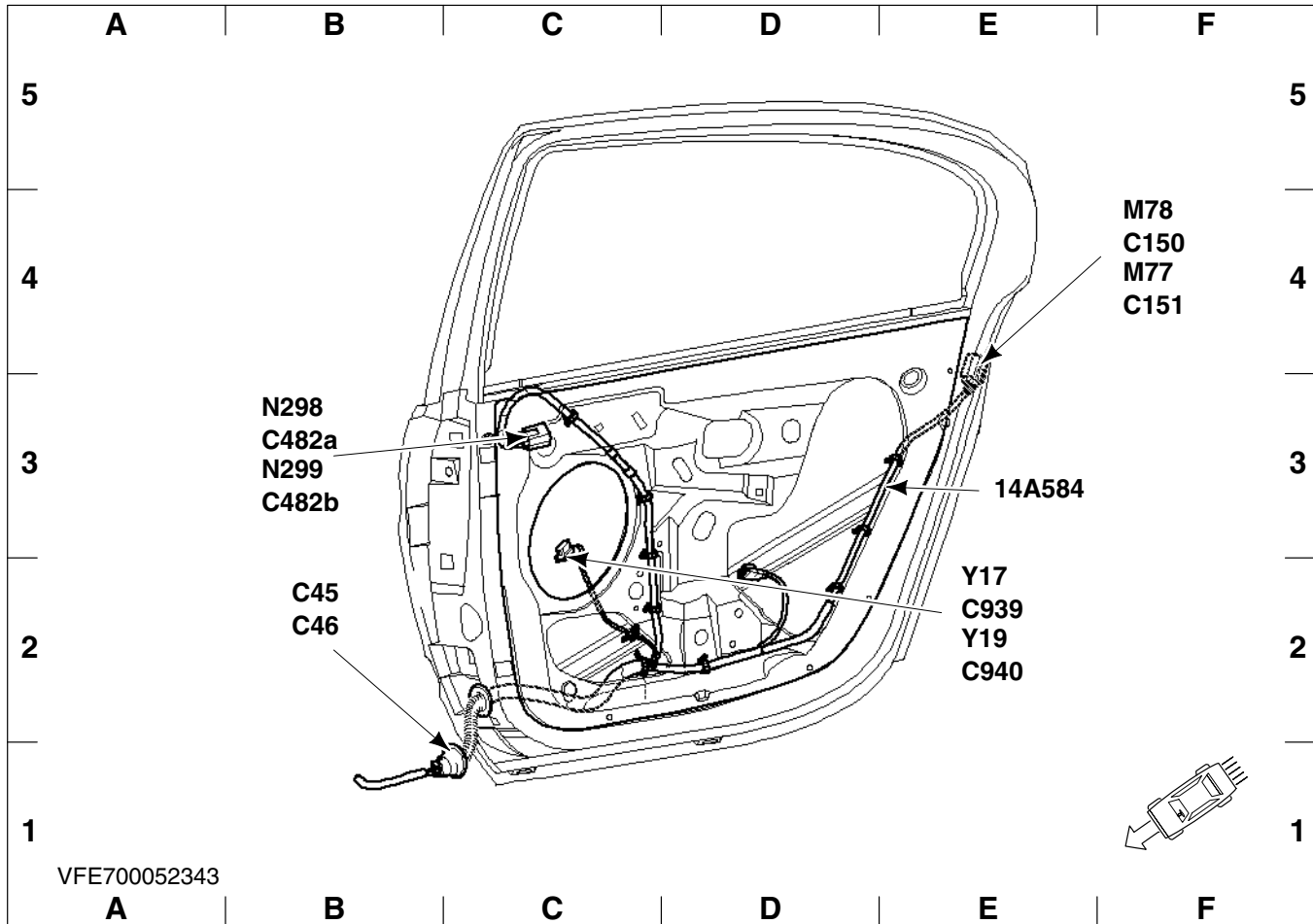
**In roof, wagon**

19L540 Wiring harness – Anti-theft alarm . . . . .	B 5	C855 . . . . .	A 2
19L540 Wiring harness – Anti-theft alarm . . . . .	D 2	C887 . . . . .	E 5
14014 Wiring harness – Door to door . . . . .	B 1	C888 . . . . .	E 5
14335 Wiring harness – Interior illumination . .	C 2	C890 . . . . .	B 2
A26 . . Sunroof unit . . . . .	C 5	C891 . . . . .	D 5
A217 . Rain sensor module . . . . .	A 2	C892 . . . . .	D 5
B38 . . Anti-theft interior scan sensor, LH side .	C 2	C899 . . . . .	B 2
B39 . . Anti-theft interior scan sensor, RH side	B 4	E18 . . Interior lamp, front . . . . .	B 2
C453 . . . . .	C 2	E19 . . Interior lamp, rear . . . . .	D 5
C454 . . . . .	B 4	E30 . . LH Vanity mirror lamp . . . . .	C 1
C522 . . . . .	C 5	E31 . . RH Vanity mirror lamp . . . . .	A 4
C525 . . . . .	C 5	E87 . . Cargo space lamp . . . . .	E 5
C844 . . . . .	C 1	N230 . Sunroof adjust switch . . . . .	C 5
C845 . . . . .	A 4		



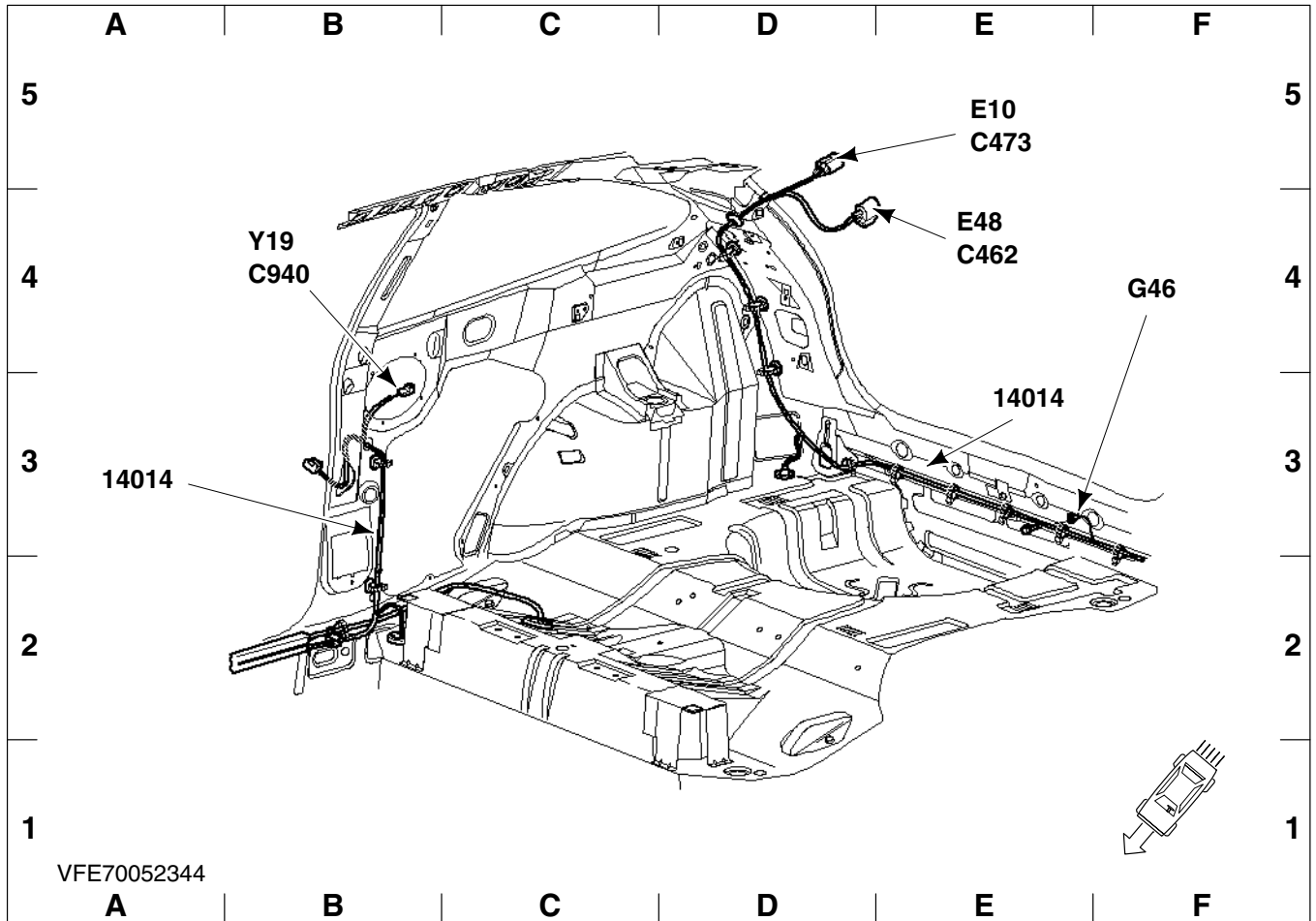
**RH front door, LH similar**

14A584 Wiring harness – Doors . . . . .	D 1	M67 . Door lock motor, driver side . . . . .	E 3
A43 . . Passenger air bag unit . . . . .	B 2	M68 . Door lock motor, passenger side . . . . .	E 3
C41 . . . . .	B 3	M75 . Mirror motor, driver side . . . . .	B 4
C42 . . . . .	B 3	M76 . Mirror motor, passenger side . . . . .	B 4
C44 . . . . .	B 2	M122 Window regulator motor,	
C148 . . . . .	E 3	driver side front . . . . .	C 1
C149 . . . . .	E 3	M123 Window regulator motor,	
C484 . . . . .	E 4	passenger side front . . . . .	C 1
C485 . . . . .	E 4	N70 . . Power mirror adjust switch . . . . .	C 4
C734 . . . . .	C 1	N297 . Window operating switch, passenger side	
C735 . . . . .	C 1	front . . . . .	E 4
C741 . . . . .	C 4	N300 . Window operating switch, driver side front	
C807 . . . . .	B 4	(multiple) . . . . .	E 4
C808 . . . . .	B 4	Y18 . . Right front speaker . . . . .	B 1
C937 . . . . .	B 1	Y28 . . Left front speaker . . . . .	B 1
C938 . . . . .	B 1		



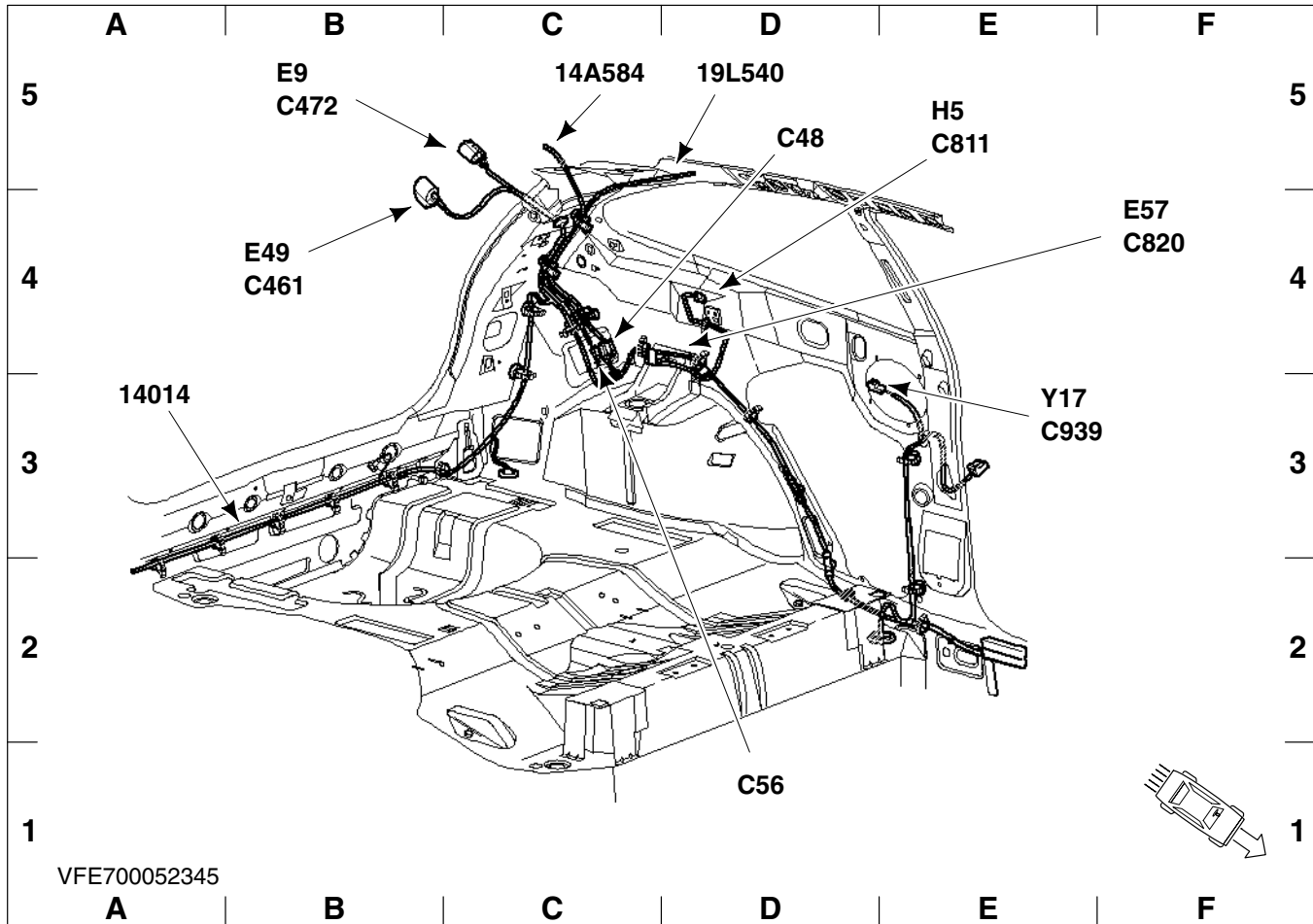
**RH rear door (LH side similar)**

14A584 Wiring harness – Doors	E 3	C940	E 2
C45	B 2	M77 . Door lock motor passenger side rear	F 4
C46	B 2	M78 . Door lock motor driver side rear	F 4
C150	F 4	N298 . Window operating switch, LH side rear	B 3
C151	F 4	N299 . Window operating switch, RH side rear	B 3
C482a	B 3	Y17 . Left rear speaker	E 2
C482b	B 3	Y19 . Right rear speaker	E 2
C939	E 2		



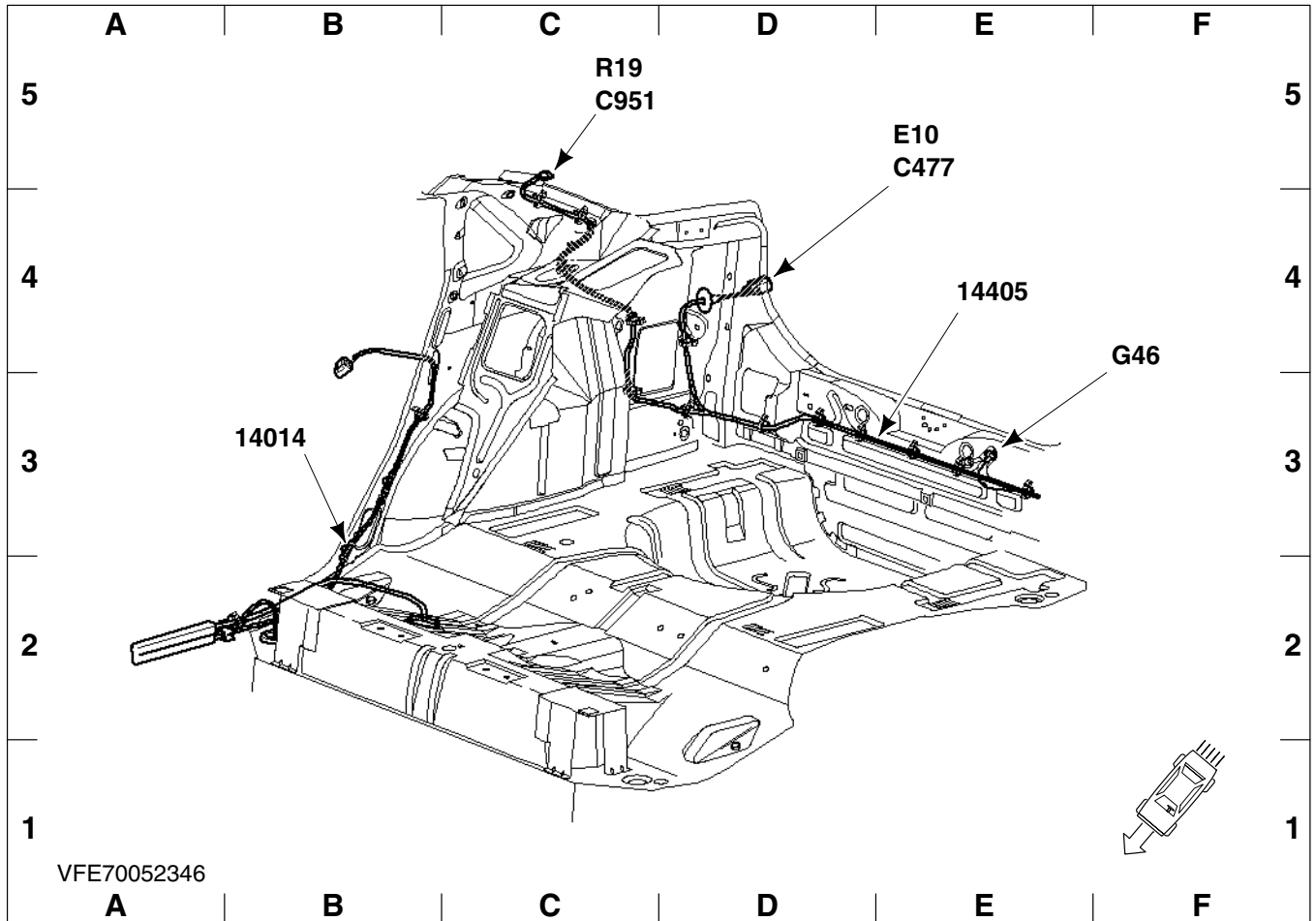
**Luggage compartment, RH side, 3-door model**

14014	Wiring harness – Door to door	.....	A 3	E10 ..	Rear lamp assembly, RH side	.....	E 5
14014	Wiring harness – Door to door	.....	E 3	E48 ..	RH Rear direction indicator lamp	.....	E 4
C462	.....	.....	E 4	G46	.....	.....	F 4
C473	.....	.....	E 5	Y19 ..	Right rear speaker	.....	B 4
C940	.....	.....	B 4				



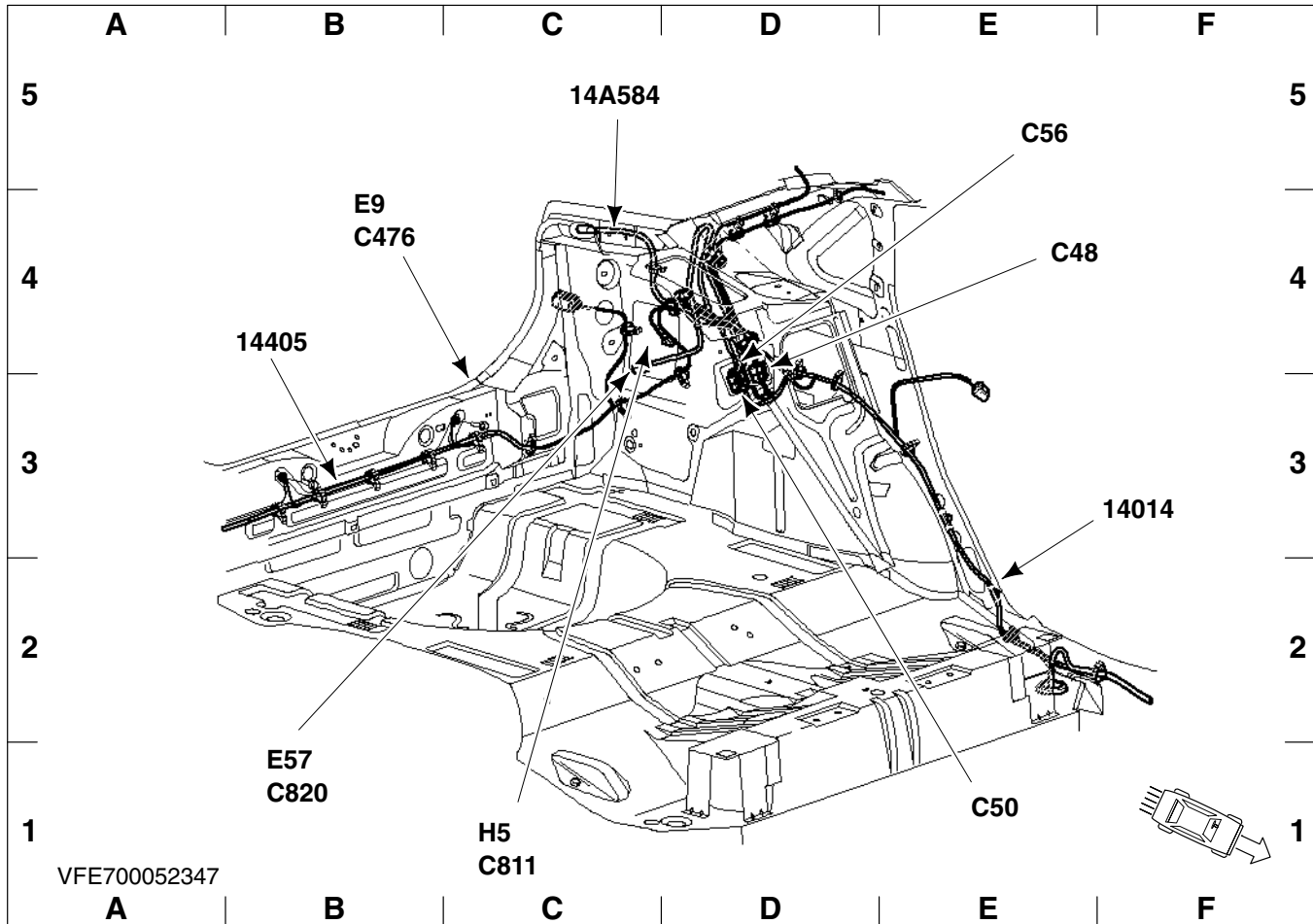
**Luggage compartment, LH side, 3-door model**

14A584 Wiring harness – Doors	C 5	C820	F 4	
19L540 Wiring harness – Anti-theft alarm	D 5	C939	E 3	
14014 Wiring harness – Door to door	A 3	E9	Rear lamp assembly, LH side	B 5
C48	D 5	E49	LH Rear direction indicator lamp	B 4
C56	D 1	E57	Luggage compartment lamp	F 4
C461	B 4	H5	Anti-theft horn	E 5
C472	B 5	Y17	Left rear speaker	E 3
C811	E 5			



**Luggage compartment, RH side, 4-door model**

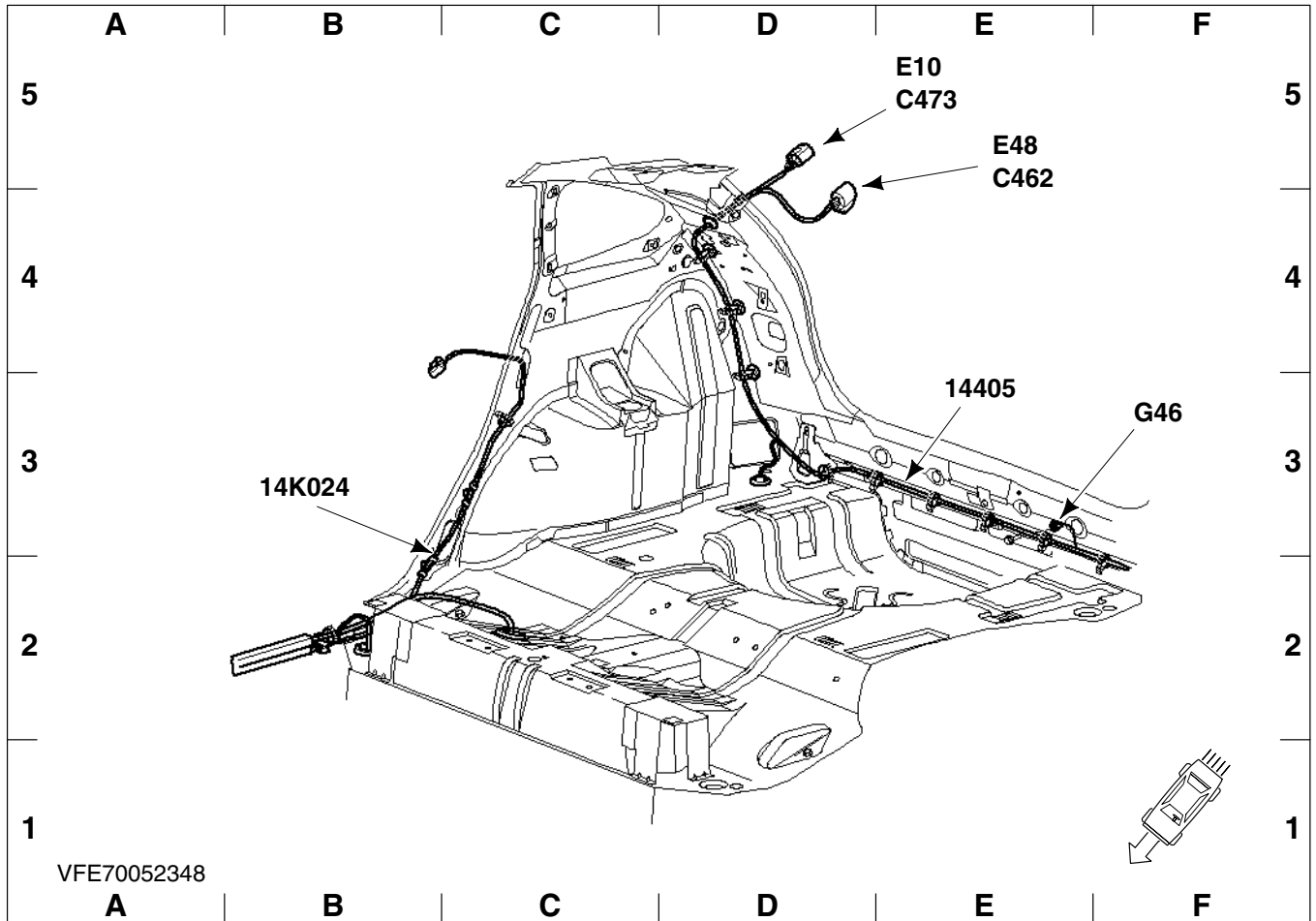
14014	Wiring harness – Door to door	B 3	E10	..	Rear lamp assembly, RH side	E 5
14405	Wiring harness – Tail lamps	E 4	G46	..	Rear lamp assembly	F 4
C477	..	E 5	R19	..	Rear window heater	C 5
C951	..	C 5				



**Luggage compartment, LH side, 4-door model**

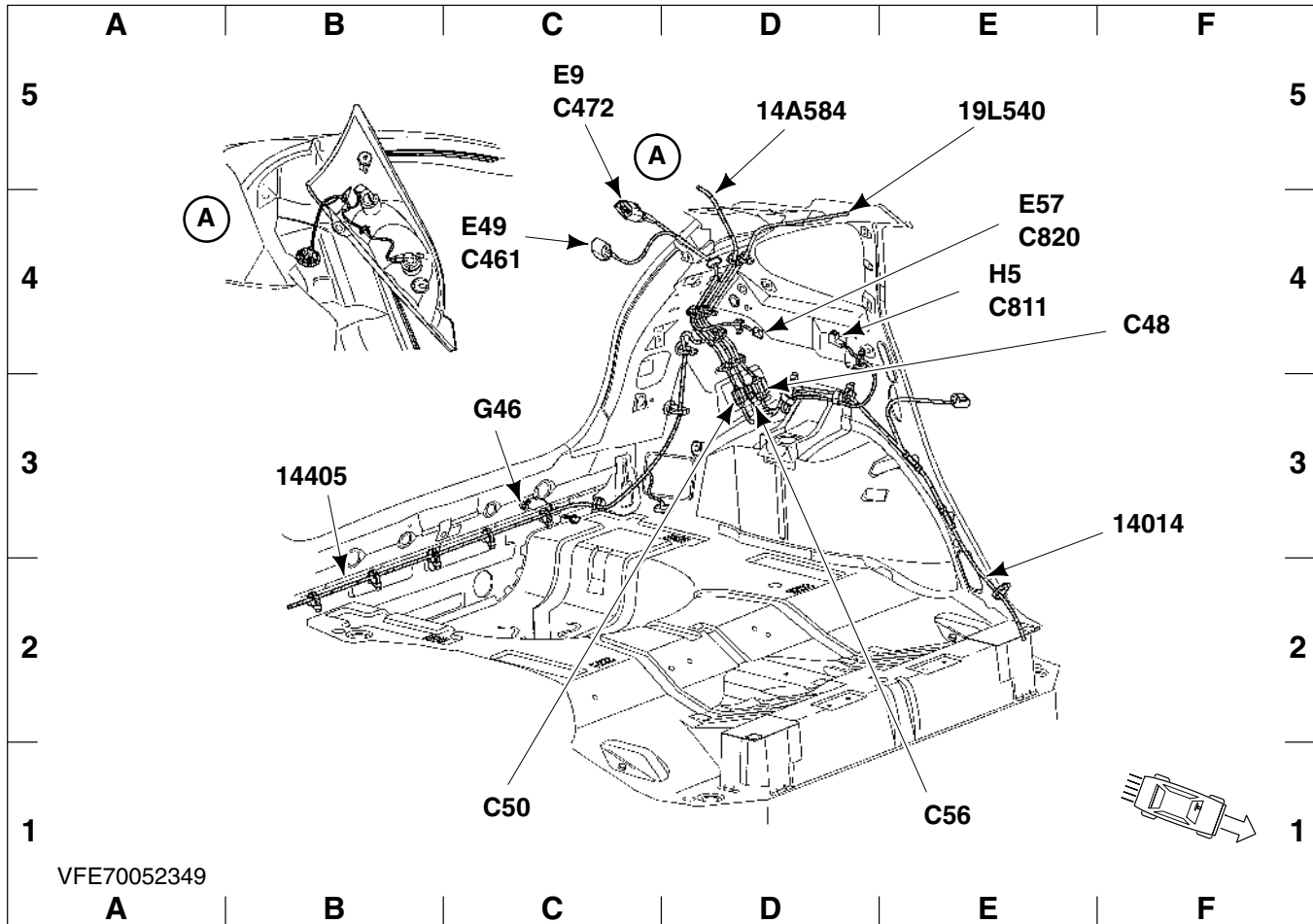
14A584	Wiring harness – Doors	.....	C 5	C476	.....	B 4
14014	Wiring harness – Door to door	.....	F 3	C811	.....	C 1
14405	Wiring harness – Tail lamps	.....	B 4	C820	.....	B 1
C48	.....	.....	E 4	E9	..	Rear lamp assembly, LH side
C50	.....	.....	E 1	E57	..	Luggage compartment lamp
C56	.....	.....	E 5	H5	..	Anti-theft horn





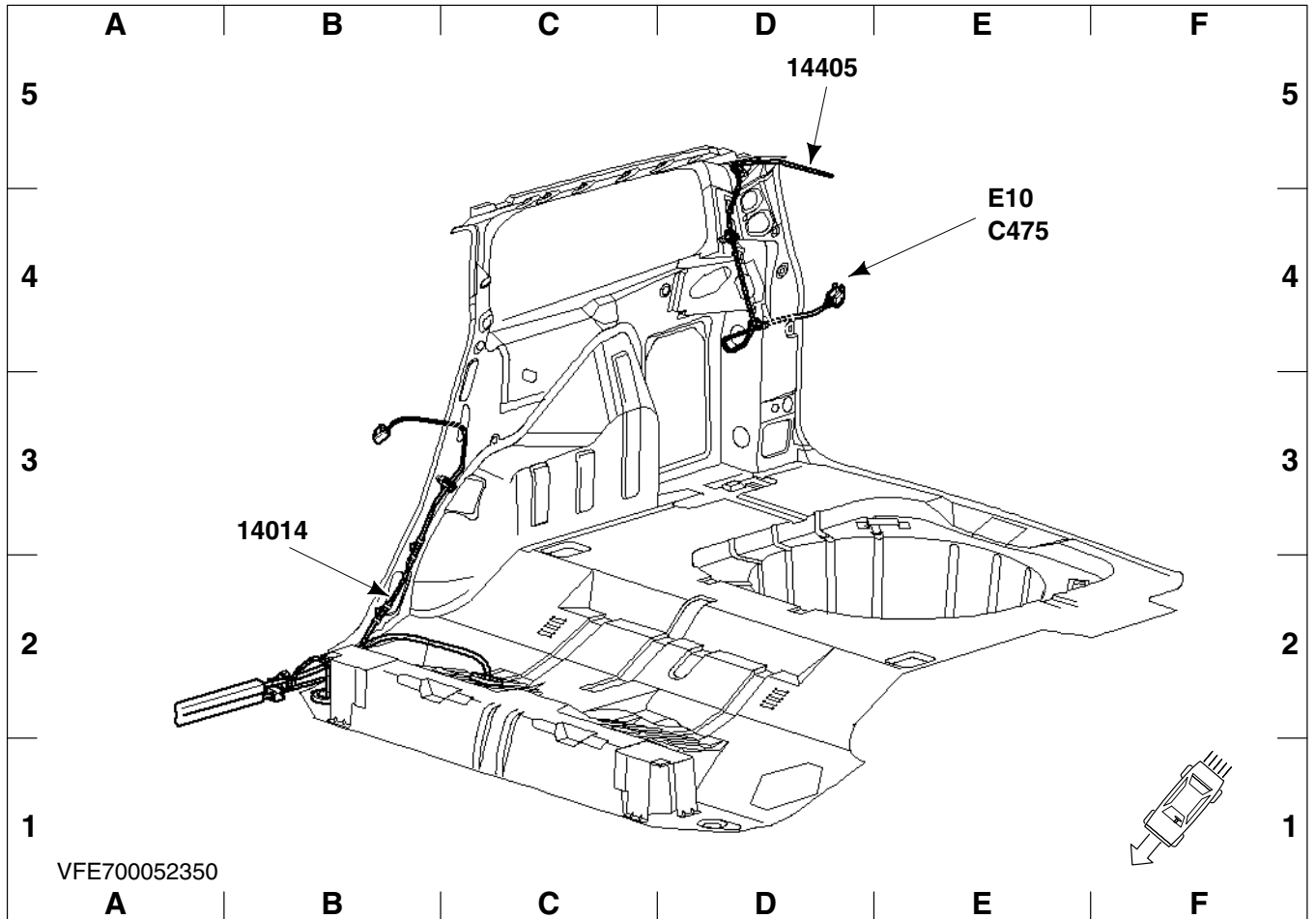
**Luggage compartment, RH side, 5-door model**

14K024	Wiring harness – Dash panel	.....	B 3	E10 ..	Rear lamp assembly, RH side	.....	E 5
14405	Wiring harness – Tail lamps	.....	E 3	E48 ..	RH Rear direction indicator lamp	.....	E 5
C462	.....	.....	E 5	G46	.....	.....	F 3
C473	.....	.....	E 5				



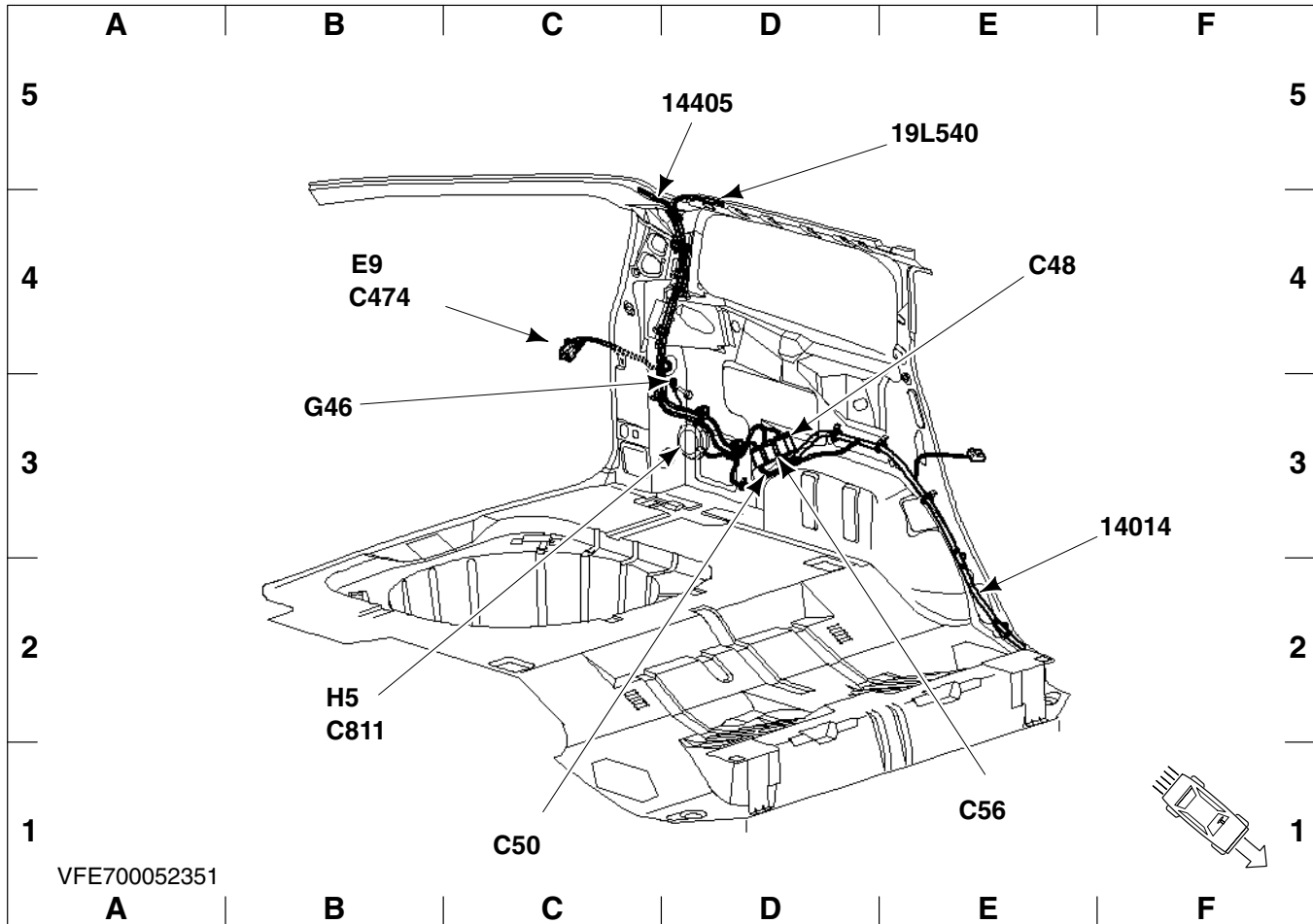
**Luggage compartment, LH side, 5-door model**

14A584 Wiring harness – Doors . . . . .	D 5	C472 . . . . .	C 5
19L540 Wiring harness – Anti-theft alarm . . . . .	E 5	C811 . . . . .	E 4
14014 Wiring harness – Door to door . . . . .	F 3	C820 . . . . .	E 4
14405 Wiring harness – Tail lamps . . . . .	B 3	E9 . . . Rear lamp assembly, LH side . . . . .	C 5
C48 . . . . .	F 4	E49 . . LH Rear direction indicator lamp . . . . .	C 4
C50 . . . . .	C 1	E57 . . Luggage compartment lamp . . . . .	E 4
C56 . . . . .	E 1	G46 . . . . .	C 3
C461 . . . . .	C 4	H5 . . . Anti-theft horn . . . . .	E 4



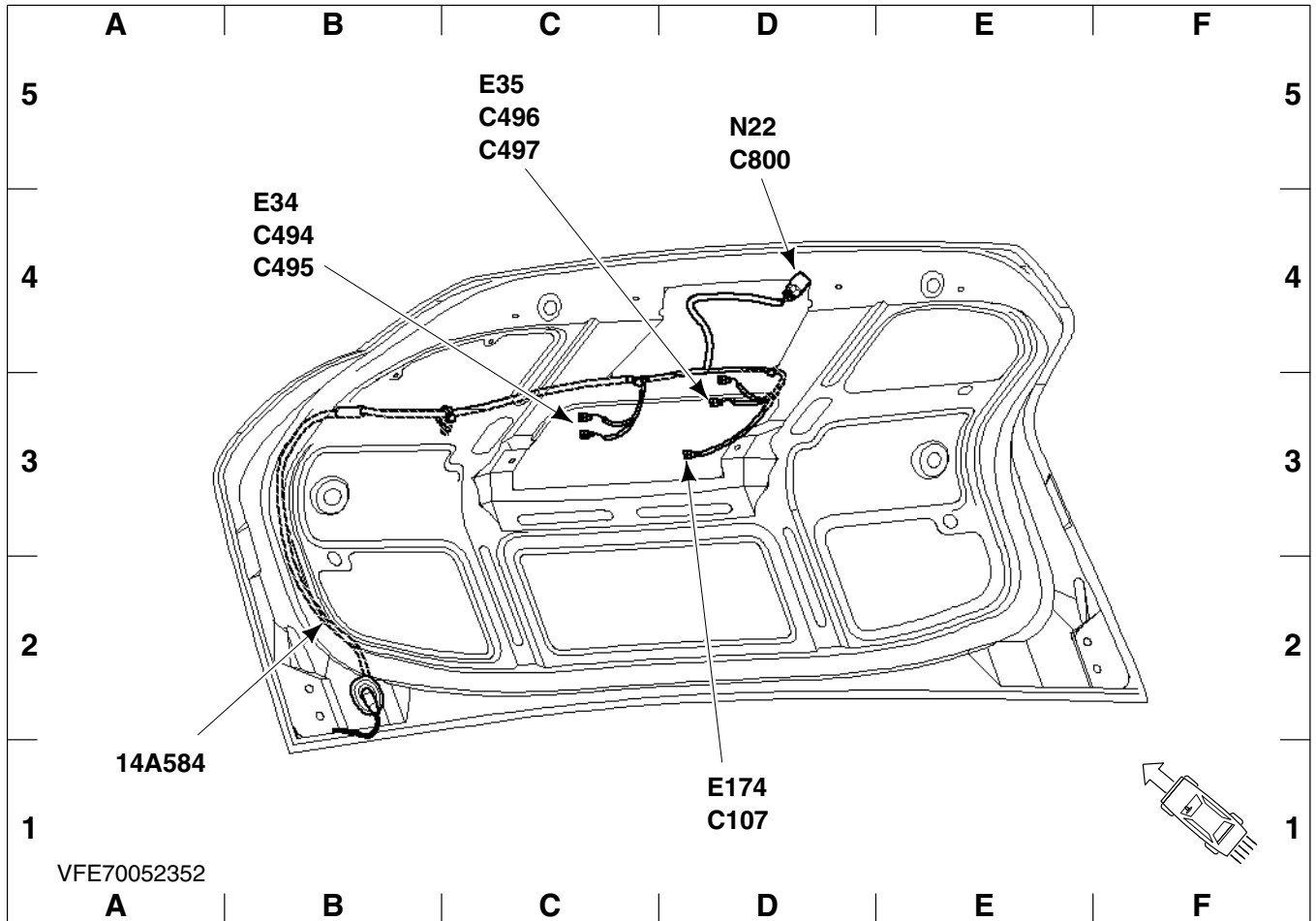
**Loading space, RH side, wagon**

14014	Wiring harness – Door to door	.....	B 3	C475	.....	E 4	
14405	Wiring harness – Tail lamps	.....	D 5	E10 ..	Rear lamp assembly, RH side	.....	E 4



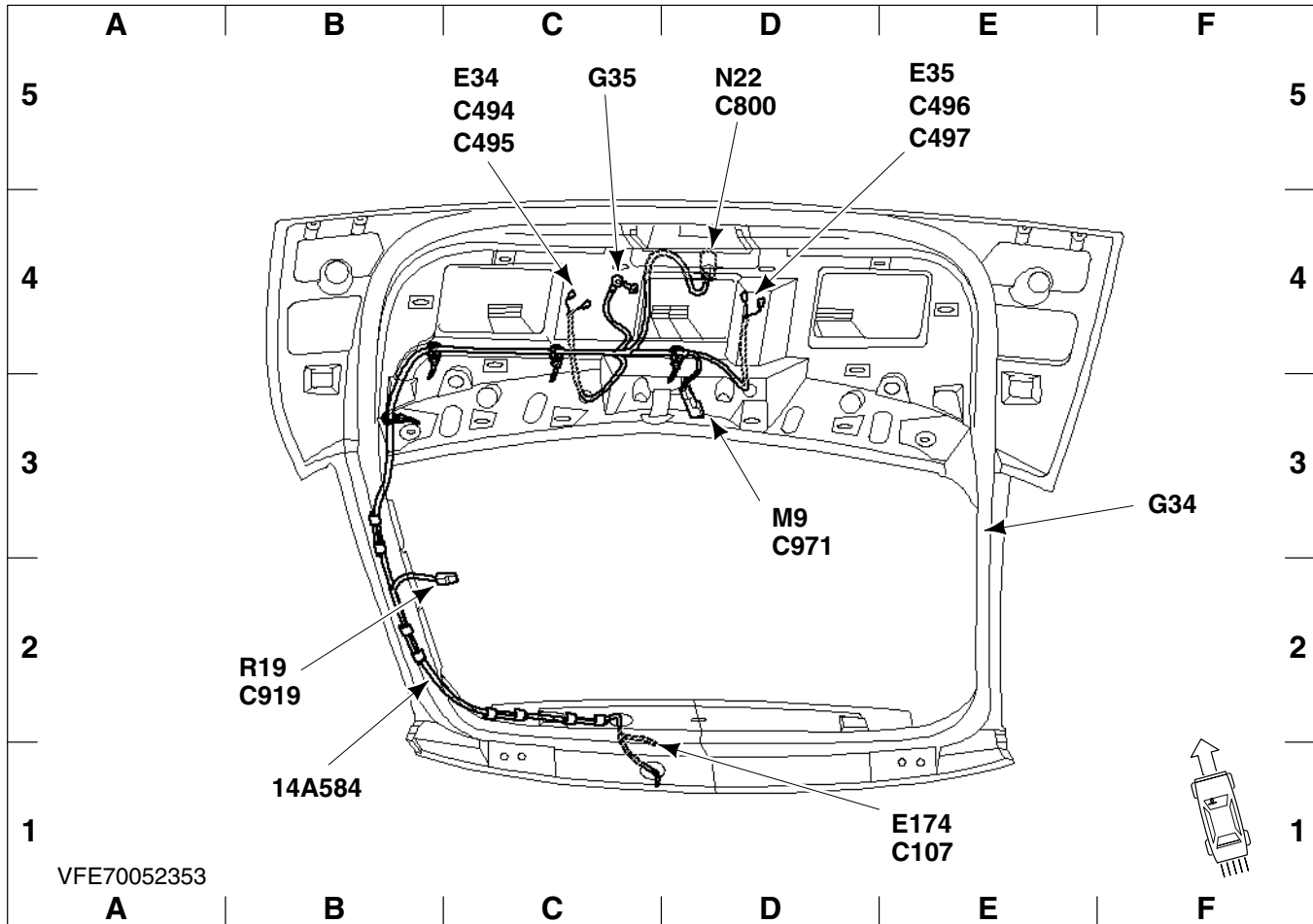
**Loading space, LH side, wagon**

19L540 Wiring harness – Anti-theft alarm . . . . .	E 5	C474 . . . . .	B 4
14014 Wiring harness – Door to door . . . . .	F 3	C811 . . . . .	B 2
14405 Wiring harness – Tail lamps . . . . .	D 5	E9 . . . Rear lamp assembly, LH side . . . . .	B 4
C48 . . . . .	E 4	G46 . . . . .	B 3
C50 . . . . .	C 1	H5 . . . Anti-theft horn . . . . .	B 2
C56 . . . . .	E 1		



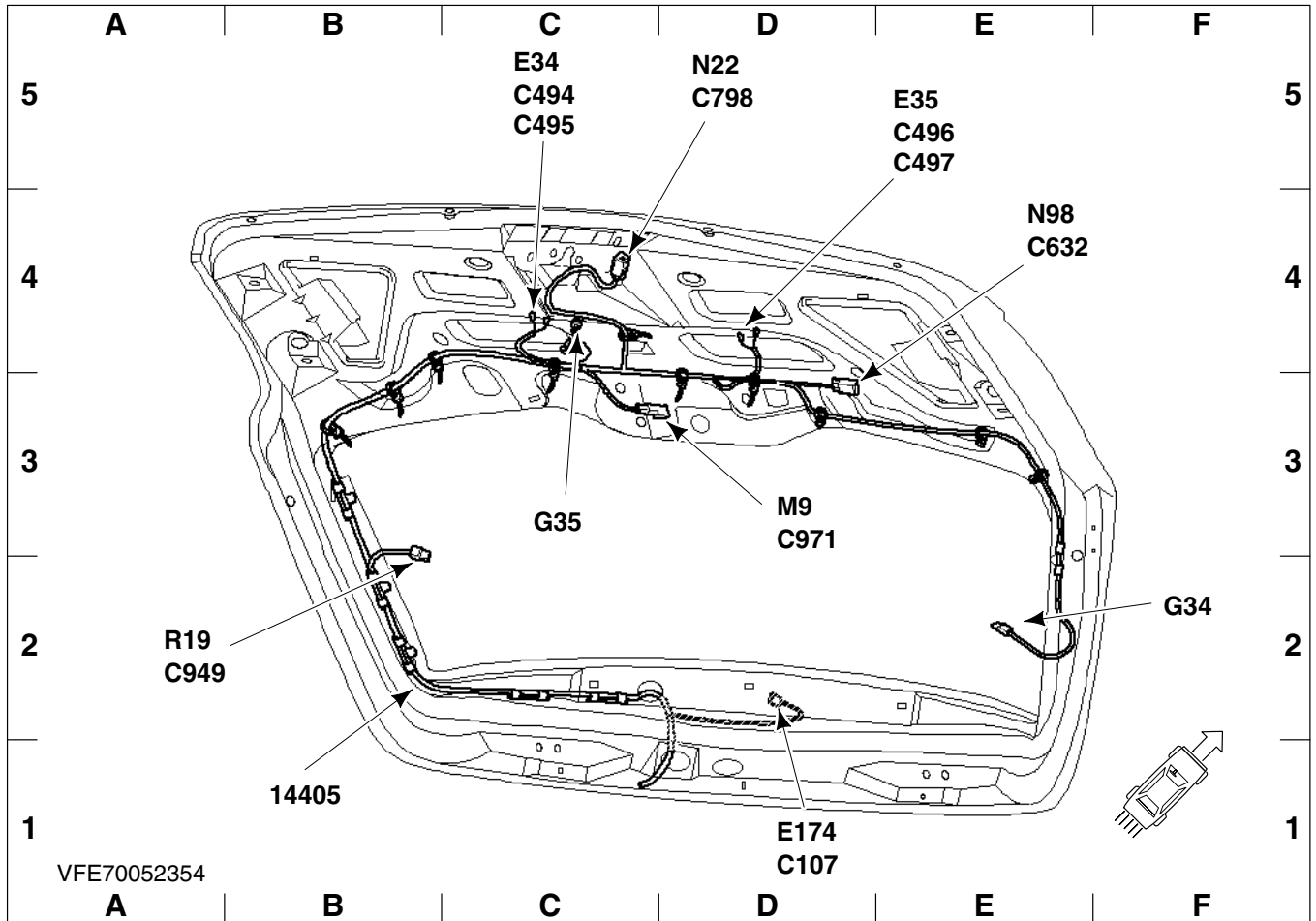
**Decklid, 4-door model**

14A584 Wiring harness – Doors	A 1	C800	D 5
C107	D 1	E34 .. LH Licence plate lamp	B 4
C494	B 4	E35 .. RH Licence plate lamp	C 5
C495	B 4	E174 . High mounted stop lamp	D 1
C496	C 5	N22 .. Tailgate/decklid switch	D 5
C497	C 5		



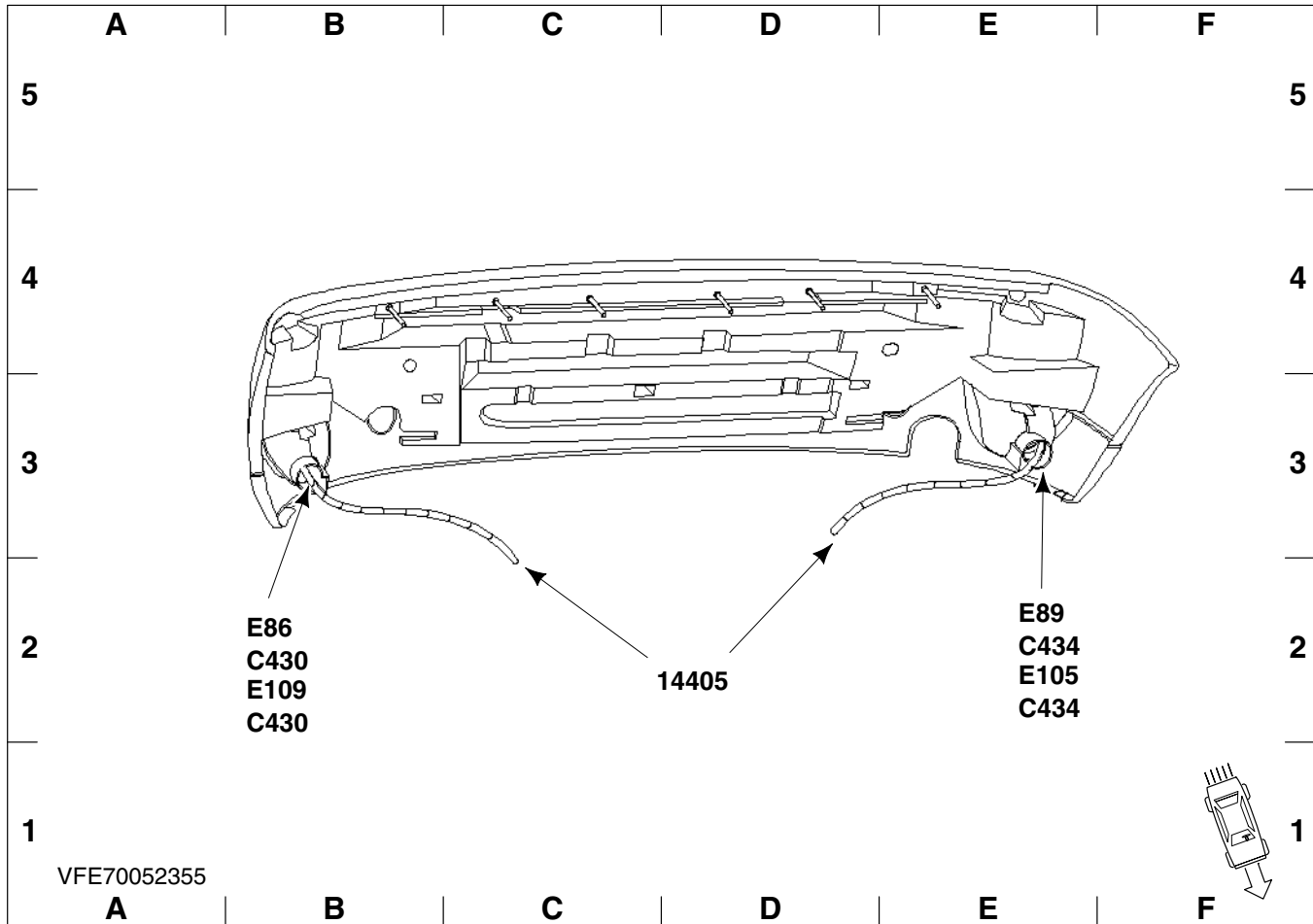
**Tailgate, 3-door model/5-door model**

14A584 Wiring harness – Doors	B 1	E34 .. LH Licence plate lamp	C 5
C107	E 1	E35 .. RH Licence plate lamp	E 5
C494	C 5	E174 . High mounted stop lamp	E 1
C495	C 5	G34 ..	F 3
C496	E 5	G35 ..	C 5
C497	E 5	M9 .. Rear window wiper motor	D 3
C800	D 5	N22 .. Tailgate/decklid switch	D 5
C919	B 2	R19 .. Rear window heater	B 2
C971	D 3		



**Tailgate, wagon**

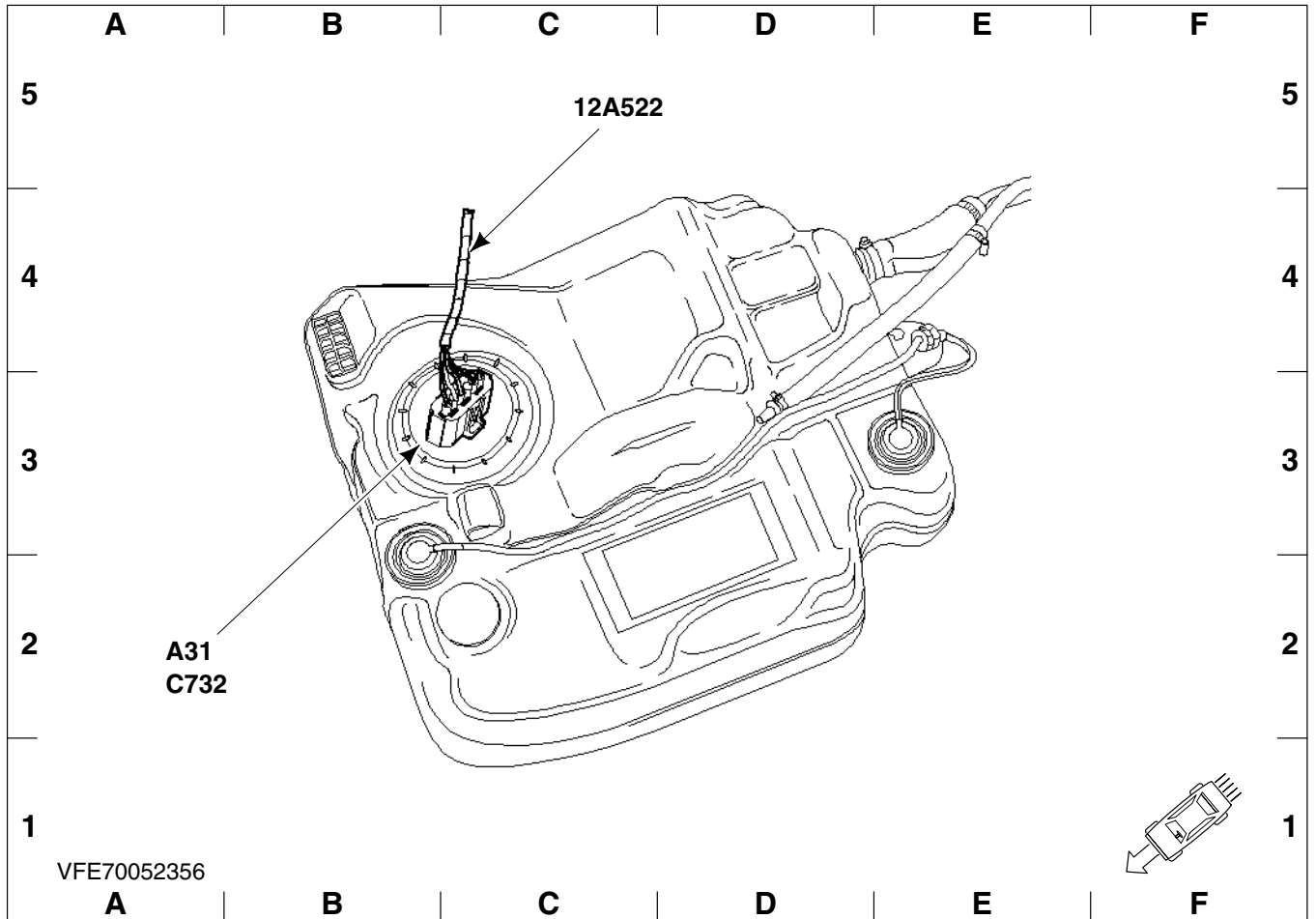
14405	Wiring harness – Tail lamps	B 1	E34	LH Licence plate lamp	C 5
C107		D 1	E35	RH Licence plate lamp	E 5
C494		C 5	E174	High mounted stop lamp	D 1
C495		C 5	G34		F 2
C496		E 5	G35		C 3
C497		E 5	M9	Rear window wiper motor	D 3
C632		E 4	N22	Tailgate/decklid switch	D 5
C798		D 5	N98	Tailgate/decklid anti-theft inhibit switch	E 4
C949		A 2	R19	Rear window heater	A 2
C971		D 3			



**Rear bumper, 3-door model/5-door model**

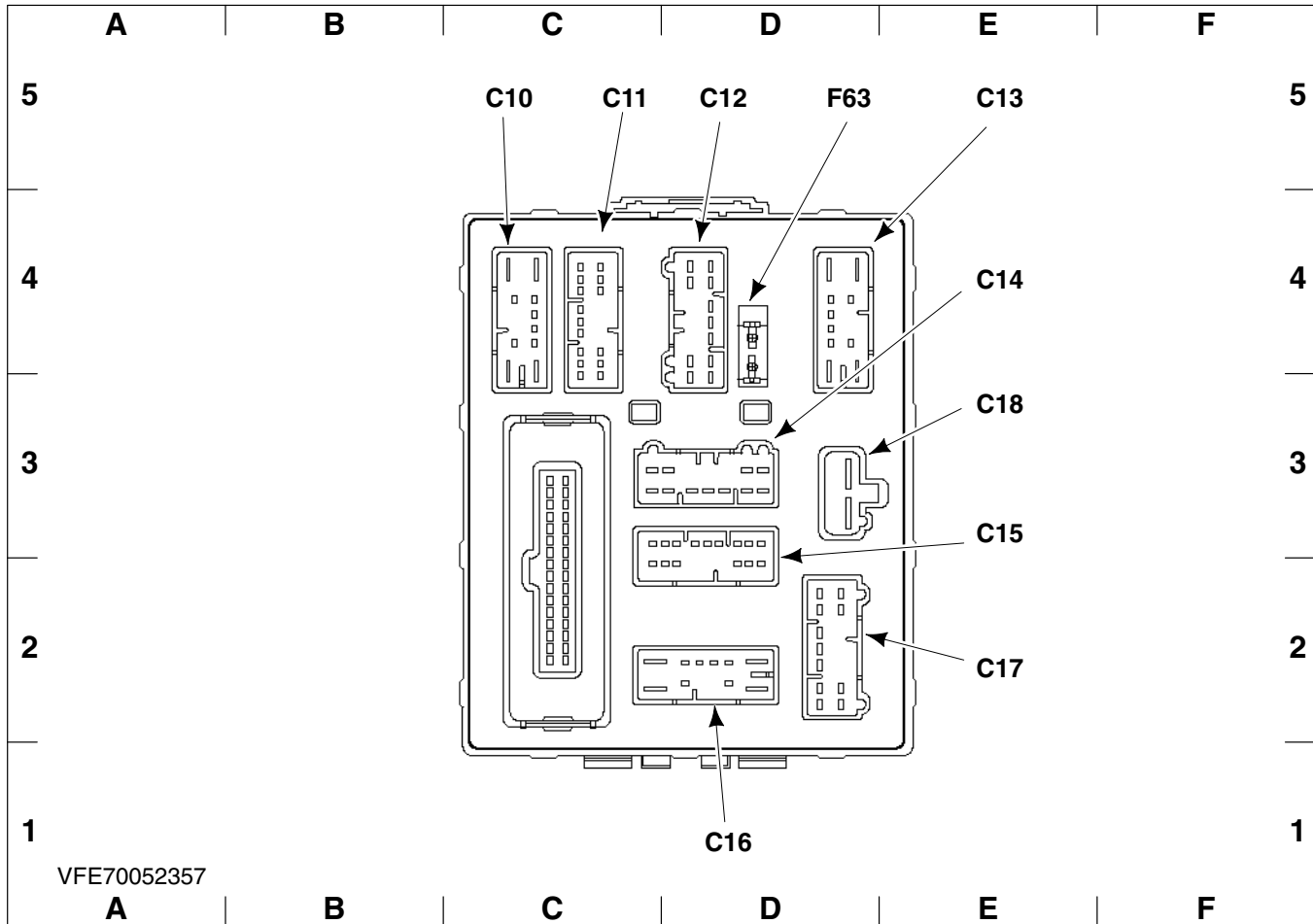
14405	Wiring harness – Tail lamps	D 2	E86	Rear fog lamp, RH side	B 2
C430		B 2	E89	Rear fog lamp, LH side	E 2
C430		B 2	E105	Reversing lamp, left	E 2
C434		E 2	E109	Reversing lamp, right	B 2
C434		E 2			





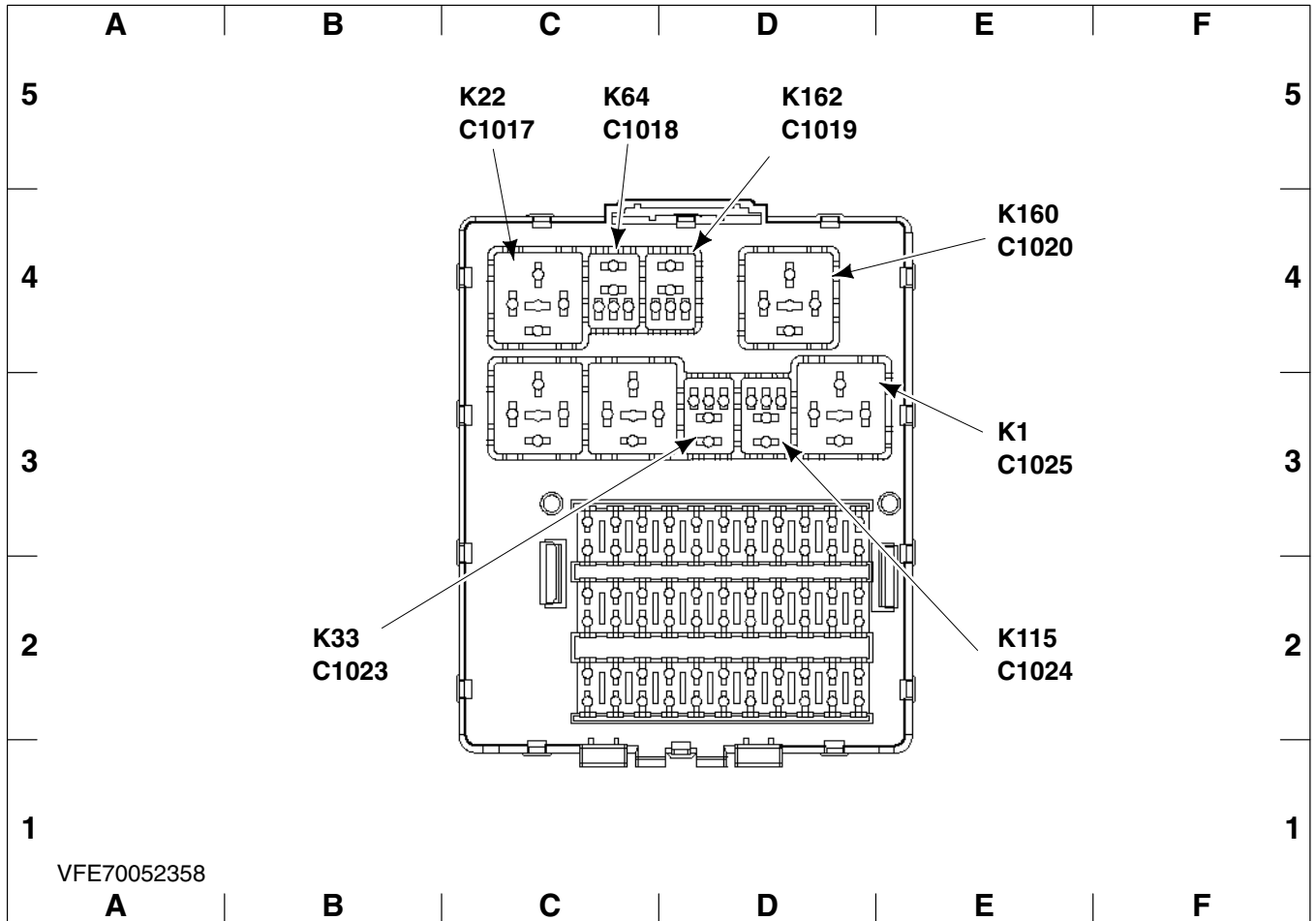
**Fuel tank**

12A522 Wiring harness – Engine control	.....	C 5	C732	.....	A 2
A31 ... Fuel tank unit	.....	A 2			



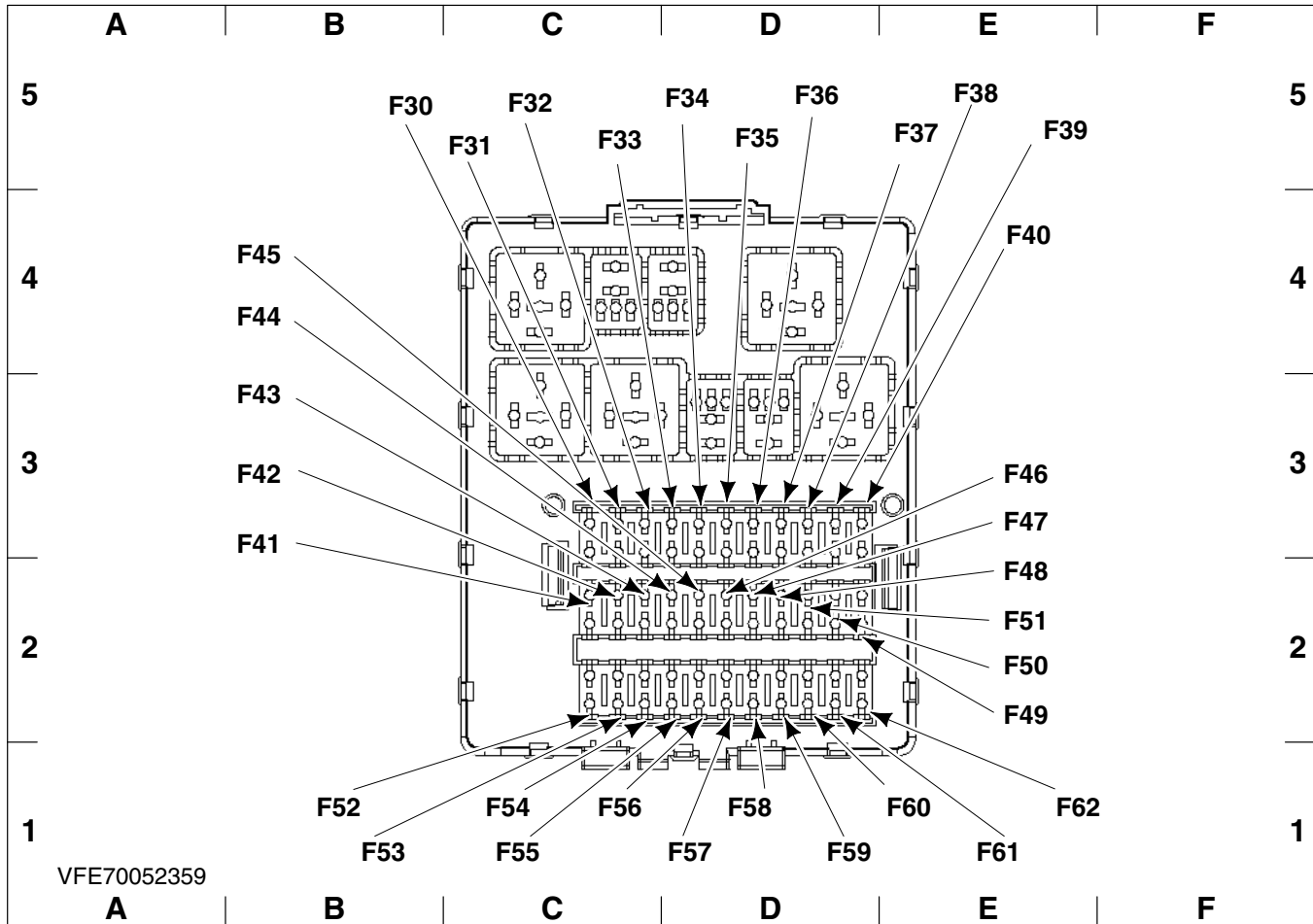
**Central Junction Box (CJB), rear**

C10 .....	C 5	C15 .....	E 3
C11 .....	C 5	C16 .....	D 1
C12 .....	D 5	C17 .....	E 2
C13 .....	E 5	C18 .....	E 3
C14 .....	E 4	F63 .....	D 5



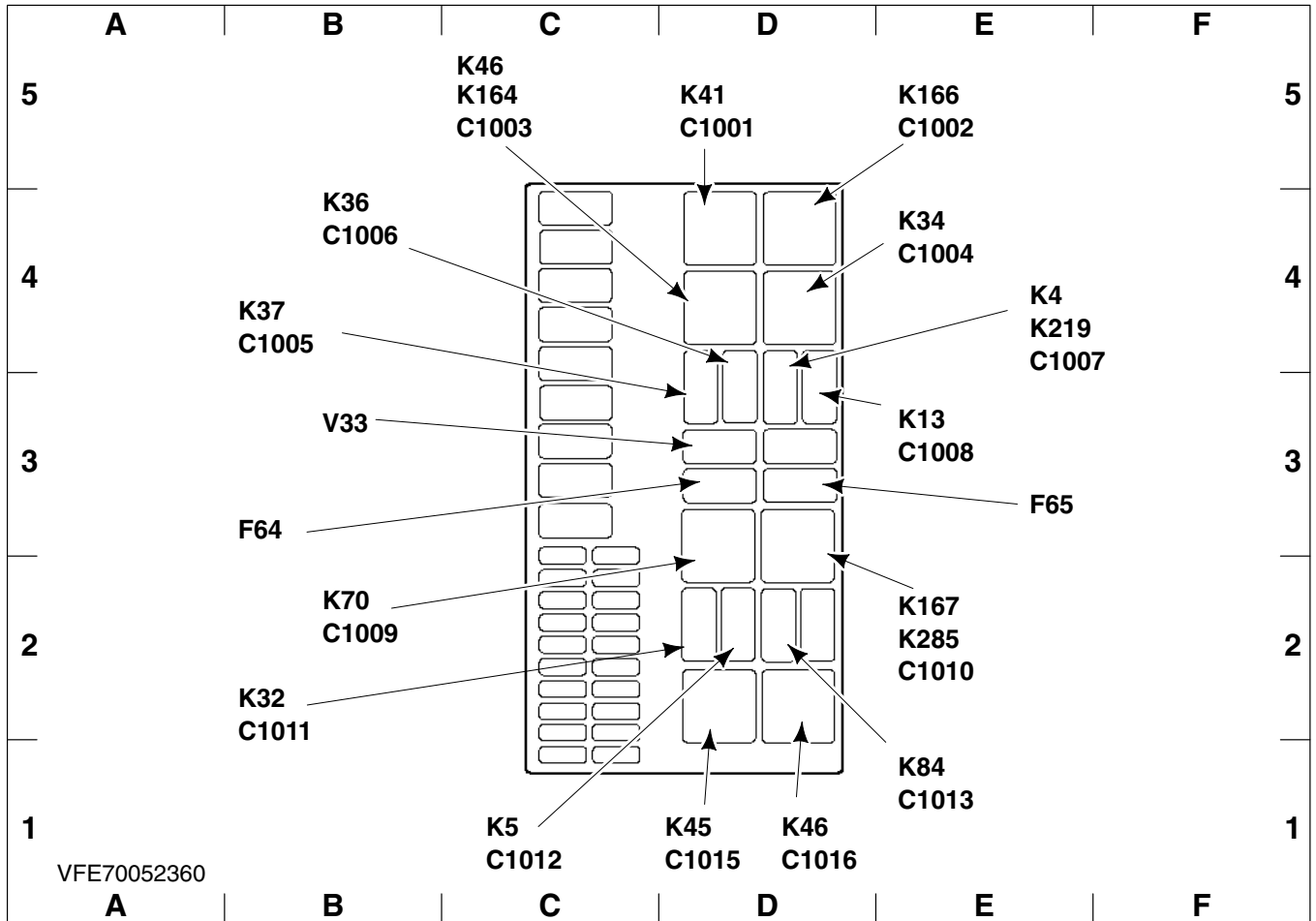
**Central Junction Box (CJB), front**

C1017 .....	C 5	K1 ...	Rear window heater relay .....	E 3
C1018 .....	C 5	K22 ..	Starter relay .....	C 5
C1019 .....	D 5	K33 ..	Horn relay .....	B 2
C1020 .....	E 4	K64 ..	Rear wiper relay .....	C 5
C1023 .....	B 2	K115 .	Battery saver relay .....	E 2
C1024 .....	E 2	K160 .	Cigar lighter relay .....	E 4
C1025 .....	E 3	K162 .	Windshield wiper relay .....	D 5



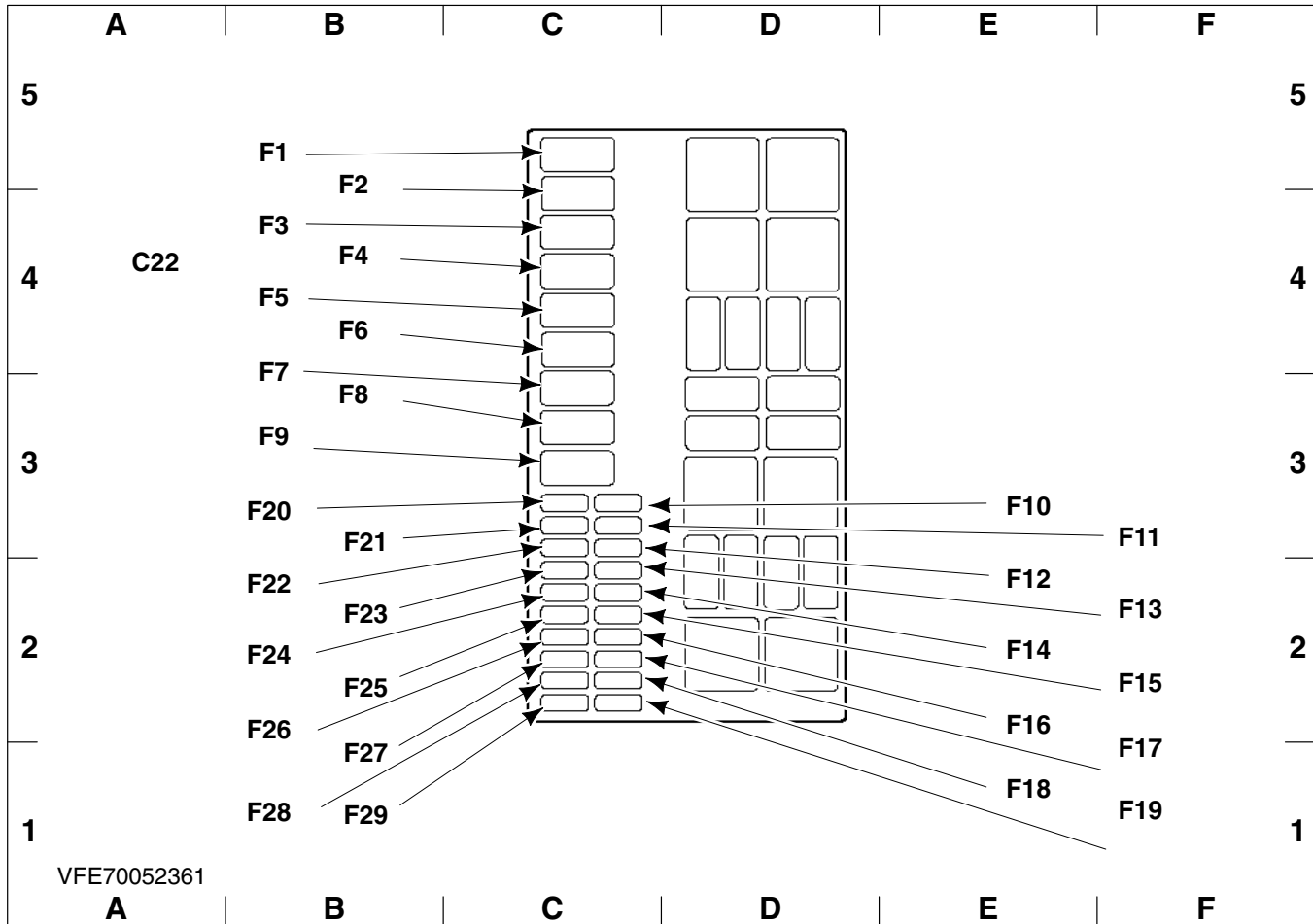
**Central Junction Box (CJB), front**

F30 .....	B 5	F47 .....	E 3
F31 .....	C 5	F48 .....	E 2
F32 .....	C 5	F49 .....	E 2
F33 .....	C 5	F50 .....	E 2
F34 .....	D 5	F51 .....	E 2
F35 .....	D 5	F52 .....	B 1
F36 .....	D 5	F53 .....	B 1
F37 .....	E 5	F54 .....	C 1
F38 .....	E 5	F55 .....	C 1
F39 .....	E 5	F56 .....	C 1
F40 .....	E 4	F57 .....	D 1
F41 .....	B 3	F58 .....	D 1
F42 .....	B 3	F59 .....	D 1
F43 .....	B 3	F60 .....	E 1
F44 .....	B 4	F61 .....	E 1
F45 .....	B 4	F62 .....	E 1
F46 .....	E 3		



**Battery Junction Box (BJB)**

C1001 .....	D 5	K5 ...	Daytime Running Lamps (DRL) relay ..	C 1
C1002 .....	E 5	K13 ..	Power hold relay .....	E 3
C1003 .....	C 5	K32 ..	A/C Wide Open Throttle (WOT) relay .	B 2
C1004 .....	E 4	K34 ..	Headlamp cleaning relay .....	E 4
C1005 .....	B 4	K36 ..	Low beam relay .....	B 4
C1006 .....	B 4	K37 ..	High beam relay .....	B 4
C1007 .....	E 4	K41 ..	Ignition relay .....	D 5
C1008 .....	E 3	K45 ..	Engine cooling fan relay .....	D 1
C1009 .....	B 2	K46 ..	High speed engine cooling fan relay ...	D 1
C1010 .....	E 2	K46 ..	High speed engine cooling fan relay ...	C 5
C1011 .....	B 2	K70 ..	Pre-glow relay Diesel .....	B 2
C1012 .....	C 1	K84 ..	Engine run relay .....	E 1
C1013 .....	E 1	K164 .	Heated windshield relay .....	C 5
C1015 .....	D 1	K166 .	Glow plug heater relay 1 .....	E 5
C1016 .....	D 1	K167 .	Glow plug heater relay 2 .....	E 2
F64 .....	B 3	K219 .	Injection pump power (IPP) relay .....	E 4
F65 .....	E 3	K285 .	Intercooler coolant pump relay .....	E 2
K4 ...	Fuel pump relay .....	V33 ..	Diode .....	B 3



**Battery Junction Box (BJB)**

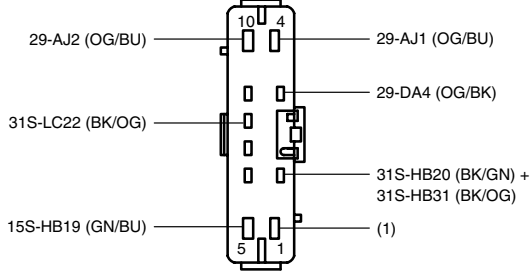
C22	.....	A 4	F15	.....	F 2
F1	.....	B 5	F16	.....	E 2
F2	.....	B 5	F17	.....	F 1
F3	.....	B 4	F18	.....	E 1
F4	.....	B 4	F19	.....	F 1
F5	.....	B 4	F20	.....	B 3
F6	.....	B 4	F21	.....	B 3
F7	.....	B 4	F22	.....	B 2
F8	.....	B 3	F23	.....	B 2
F9	.....	B 3	F24	.....	B 2
F10	.....	E 3	F25	.....	B 2
F11	.....	F 3	F26	.....	B 2
F12	.....	E 2	F27	.....	B 1
F13	.....	F 2	F28	.....	B 1
F14	.....	E 2	F29	.....	B 1



**C10 (WH)**

**14401**

F10050



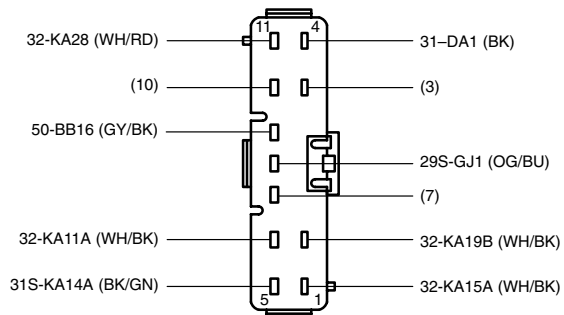
P91  
Central Junction  
Box (CJB)

- (1) 29-AH1 (OG/BU)  
29-AH6 (OG/YE)

**C14 (BN)**

**14401**

F11012



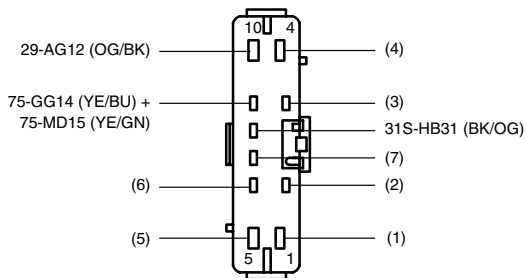
P91  
Central Junction  
Box (CJB)

- (3) 32-KA19 (WH/BK)  
32-KA15A (WH/BK) +  
32-KA19 (WH/BK)
- (7) 29-LC1 (OG/BU)  
29-LC6 (OG/BK)  
29-LC7 (OG/BU)
- (10) 32-KA9B (WH/BU)  
32-KA9 (WH/BU) +  
32-KA9A (WH/BU)

**C13**

**14401**

F10052



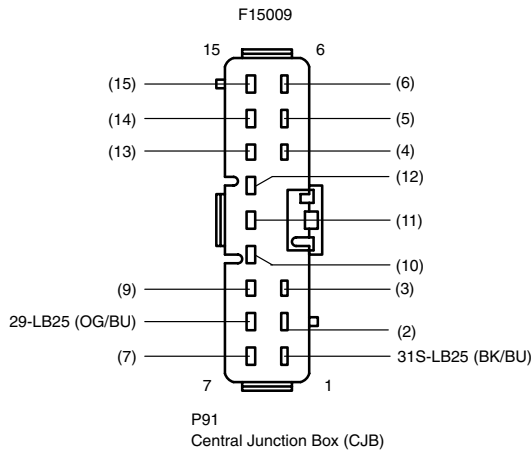
P91  
Central Junction  
Box (CJB)

- (1) 15-DA1 (GN/YE) +  
15-DA2 (GN/BU)  
50-BB12 (GY)
- (2) 15-CF6 (GN/YE)  
91S-KA29 (BK/YE)  
15-CE8 (GN/RD) +  
15-CF6 (GN/YE)
- (3) 31S-BB16 (BK/RD)  
91S-GJ7 (BK/BU)  
31S-BB16A (BK/RD)  
91S-GJ7 (BK/BU) +  
91S-GL43 (BK/GN)
- (4) 50-BB12 (GY)  
29-AH14 (OG/YE)
- (5) 50-BB17 (GY/OG)  
30-BB9 (RD) +  
30-BB9A (RD)
- (6) 31S-BB16 (BK/RD)  
31S-BB16A (BK/RD)  
31S-BB16A (BK/RD) +  
31S-BB6 (BK/YE)
- (7) 29-DA4 (OG/BK)  
75-DA4 (YE/GN)  
29-FA13 (OG)  
75-GG14 (YE/BU)+  
75-MD15 (YE/GN)  
75-GG14 (YE/BU)



**C15** (BU)

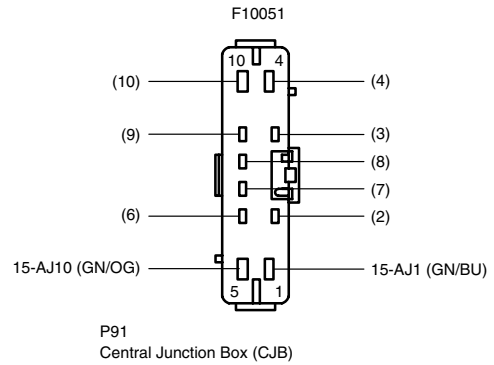
**14401**



- |   |  |
|---|--|
| <ul style="list-style-type: none"> <li>(2) 15-GB6 (GN/YE)<br/>15-DA4 (GN/BK)<br/>15-GB6 (GN/YE) +<br/>15-GL37 (GN/BK)</li> <li>(3) 15-GG14 (GN/RD) +<br/>15-LG27 (GN/BK)<br/>15-GG14 (GN/RD)</li> <li>(4) 15S-HB2 (GN/BU)<br/>31S-HB1 (BK/BU)</li> <li>(5) 8-EE8 (WH/BU)<br/>32-KA9C (WH/BU)</li> <li>(6) 8-KA19 (WH/BK)<br/>32-KA9D (WH/BU)</li> <li>(7) 91S-GJ7 (BK/BU)<br/>31S-GL43 (BK/GN) +<br/>91S-GJ7 (BK/BU)</li> <li>(9) 91-DA1 (BK/YE)<br/>29-LE29 (OG/BK)</li> </ul> | <ul style="list-style-type: none"> <li>(10) 29S-LF5 (OG/BU)<br/>91S-JA14A (BK/GN)<br/>29S-LE18 (OG/YE) +<br/>29S-LF5 (OG/BU)</li> <li>(11) 8-AA36 (WH)<br/>29S-LF21 (OG/BK)</li> <li>(12) 29S-LE18 (OG/YE)<br/>15-CF6 (GN/YE)<br/>15-CE8 (GN/RD) +<br/>15-CF6 (GN/YE)</li> <li>(13) 31S-GL5A (BK/BU)<br/>31S-GL5 (BK/BU)</li> <li>(14) 31S-GL8 (BK/YE) +<br/>31S-GL9 (BK/YE)<br/>31S-GL9 (BK/YE)<br/>31S-GL8 (BK/YE) +<br/>31S-GL16 (BK/BU)<br/>15S-TA38B (GN/BU)</li> <li>(15) 31S-AA7 (BK/BU)<br/>15S-LG9 (GN/BK)</li> </ul> |
|---|--|

**C16** (GN)

**14401**

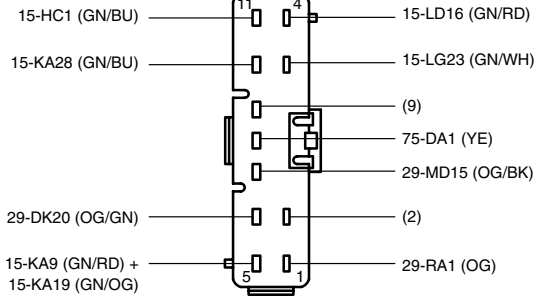


- |  |   |
|--|---|
| <ul style="list-style-type: none"> <li>(2) 29S-LF7 (OG/BU) +<br/>29S-LF11 (OG/WH)<br/>15-FA13 (GN/RD)<br/>29S-LF3 (OG/YE) +<br/>29S-LF11 (OG/WH)<br/>29S-LF3 (OG/YE)</li> <li>(3) 29S-LF3 (OG/YE) +<br/>29S-LF11 (OG/WH)<br/>29S-LF7 (OG/BU) +<br/>29S-LF11 (OG/WH)</li> <li>(4) 29-HA6 (OG/YE)<br/>29-HA6 (OG/YE) +<br/>29-HA29 (OG/BK)</li> <li>(6) 29S-LF1 (OG/YE)<br/>15-JA10 (GN/OG)</li> </ul> | <ul style="list-style-type: none"> <li>(7) 15-FA13 (GN/RD) +<br/>15-FA38 (GN/RD)<br/>29S-LF16 (OG/GN) +<br/>29S-LF20 (OG)</li> <li>(8) 29S-LF16 (OG/GN) +<br/>29S-LF20 (OG)<br/>29S-LF1 (OG/YE)<br/>29S-LF4 (OG/BU) +<br/>29S-LF20 (OG)</li> <li>(9) 15-LE14 (GN/RD) +<br/>15-LE29 (GN/BK)<br/>15-LE29 (GN/BK)</li> <li>(10) 15S-HB19 (GN/BU)<br/>15-DA1 (GN/YE) +<br/>15-DA2 (GN/BU)<br/>30-DA1 (RD) +<br/>15-DA1 (GN/YE)</li> </ul> |
|--|---|

**C17** (GY)

**14401**

F11014



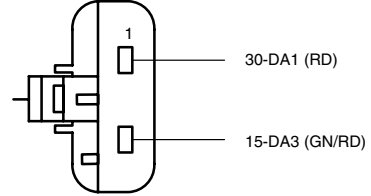
P91  
Central Junction  
Box (CJB)

- (2) 29-AA17 (OG/WH)  
29-GL26 (OG/GN) +  
29-AA17 (OG/WH)
- (9) 15-LG28 (GN/WH)  
15-LG28 (GN/WH) +  
15-PG13 (GN/YE)

**C18**

**14401**

F02016

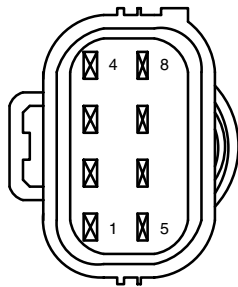


P91  
Central Junction  
Box (CJB)

**C21**

**12A522**

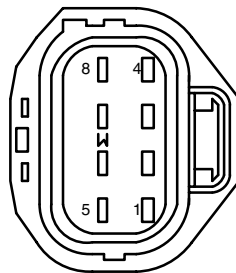
F08098



- (1) 15S-RG2 (GN/OG)
- (2) 8-GA7 (WH/RD)
- (3) 9-GA7 (BN/RD)
- (4) 31-RG2 (BK)
- (5) 15-GA6 (GN/YE)

**14A069**

F08188



- (1) RD
- (2) GN
- (3) GN
- (4) BK
- (5) GN

**C30** (BK)  
**14014**

F14054

(1) 15S-JA37 (GN/BK)	(8) 31-GE52 (BK)
(2) 91S-JA37 (BK/GN)	(9) 29-AH6 (OG/YE)
(3) 91S-JA33 (BK/BU)	(10) 31-DA14 (BK) + 31-HC8 (BK)
(4) 15S-JA33 (GN/BU)	(11) 15S-HC7 (GN/BU)
(5) 15S-HC8 (GN/RD)	(12) 31-HC8 (BK)
(6) 15S-HC7 (GN/BU)	(13)
(7) 31S-GE52 (BK/RD)	(14)

**C31** (BK)  
**14014**

F14054

(1) 15S-JA15 (GN/RD)	(8) 31-GE52 (BK)
(2) 91S-JA15 (BK/OG)	(9) 29-AH14 (OG/YE)
(3) 91S-JA34 (BK/RD)	(10) 31-DA16 (BK) + 31-HC11 (BK)
(4) 15S-JA34 (GN/OG)	(11) 15S-HC10 (GN/OG)
(5) 15S-HC11 (GN/WH)	(12) 31-HC11 (BK)
(6) 15S-HC10 (GN/OG)	(13)
(7) 31S-GE52 (BK/RD)	(14)

**C32**  
**14B723**

F02128

**C34**

**14297**

F02007

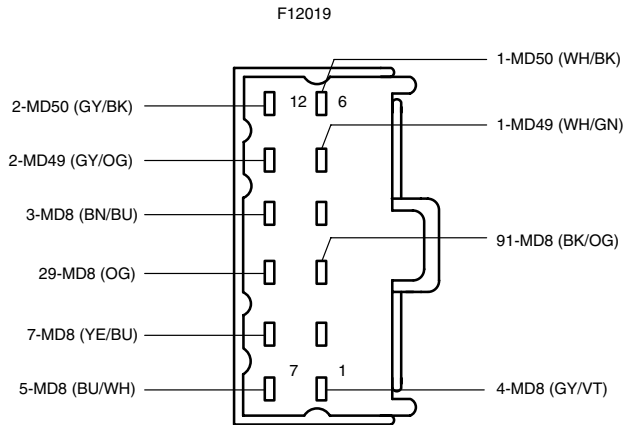
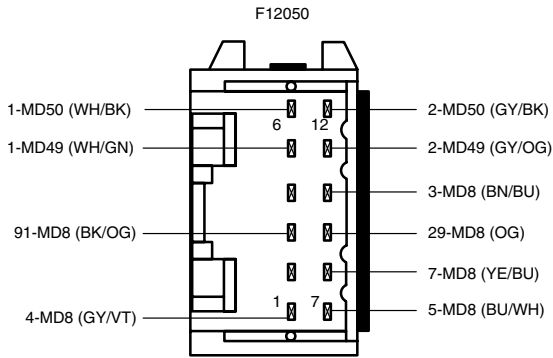
**14K733**

F02005

**C35**

**18K926**

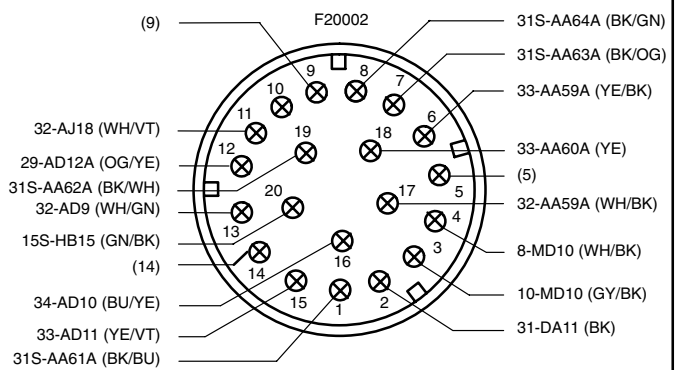
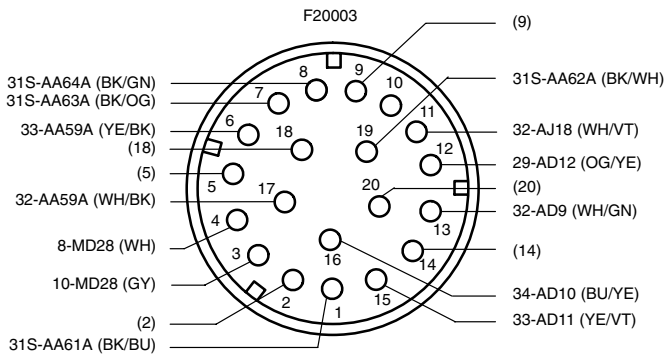
**18K926**



**C41**

**14A584**

**14014**

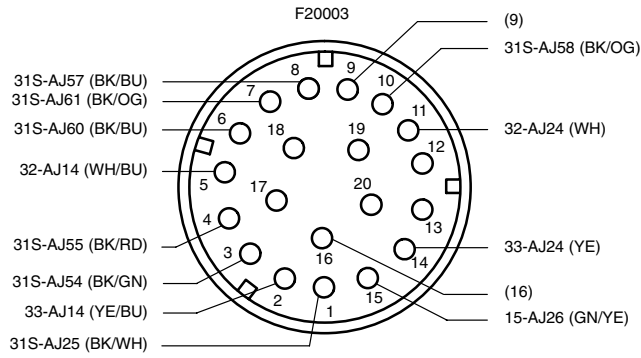


- (2) 31-DA11 (BK)
- 31-DA12 (BK)
- (5) 33-AD27 (YE/GN)
- 33-AD28 (YE/GN)
- 33-AJ18 (YE/VT)
- (9) 15-AJ7 (GN/BU)
- 32-AD28 (WH/GN)
- 32-AD27 (WH/GN)
- 15-AJ18 (GN/WH)
- 15-AJ2 (GN/BU)

- (14) 15S-AJ2 (GN/BU)
- 31S-AD24 (BK/RD)
- (18) 33-AA60A (YE)
- 31S-AA39A (BK/YE)
- (20) 15S-HB35 (GN/BK)
- 31S-AA85A (BK/RD)

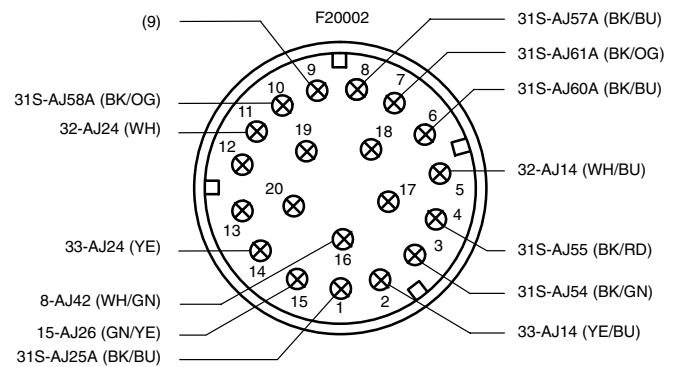
**C42**

**14A584**



- (9) 29-AJ26 (OG/YE)
- 15-AJ10 (GN/OG)
- 29-AJ27 (OG/WH)

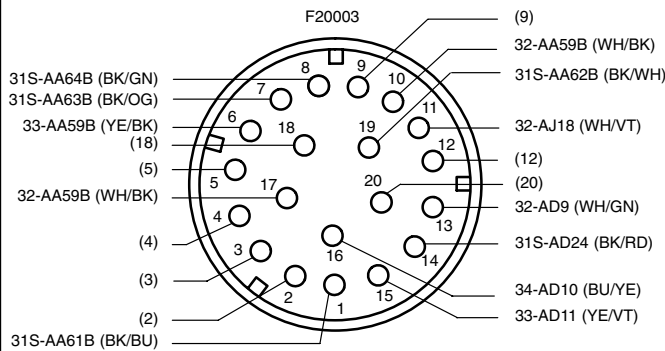
**14014**



- (16) 8-AJ42 (WH/GN)
- 8-AJ56 (WH/GN)

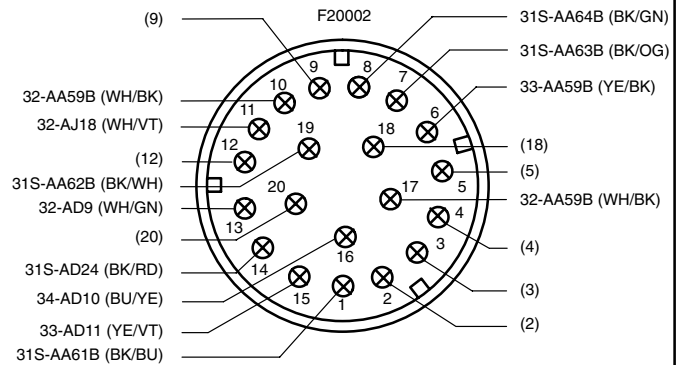
**C43**

**14A584**



- (2) 31-DA11 (BK)
- 31-DA12 (BK)
- 31-LH31 (BK)
- (3) 10-MD17 (GY/RD)
- 10-MD28 (GY)
- (4) 8-MD17 (WH/RD)
- 8-MD28 (WH)
- (5) 33-AD27 (YE/GN)
- 33-AJ18 (YE/VT)
- 33-AD28 (YE/GN)

**14014**

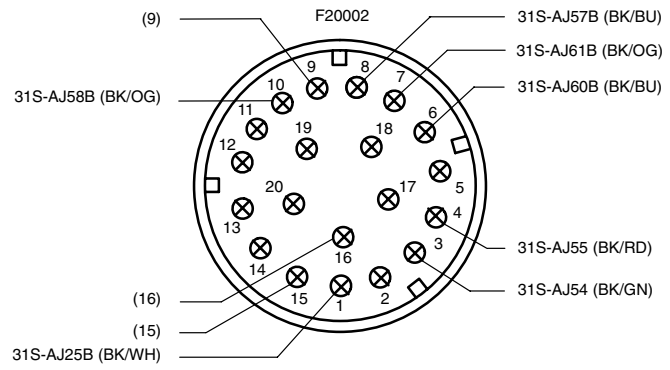
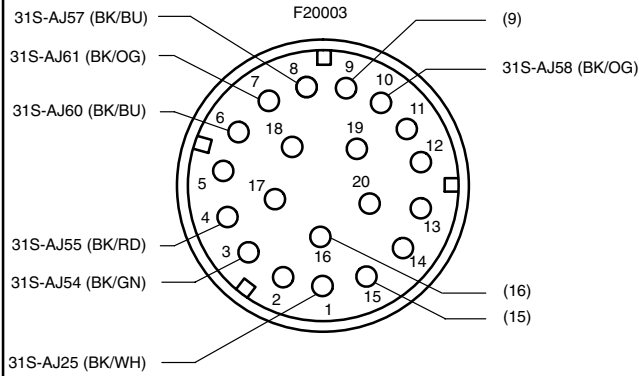


- (9) 15-AJ18 (GN/WH)
- 32-AD27 (WH/GN)
- 15-AJ7 (GN/BU)
- 32-AD28 (WH/GN)
- (12) 29-AD12B (OG/YE)
- 29-AD12 (OG/YE)
- (18) 30-AA60B (YE)
- 31S-AA39B (BK/YE)
- 33-AA60B (YE)
- (20) 15S-HB28 (GN/OG)
- 15S-HB36 (GN/OG)
- 31S-AA85B (BK/RD)

**C44**

**14A584**

**14014**



- (9) 29-AJ27 (OG/WH)  
 29-AJ26 (OG/YE)
- (15) 15-AJ27 (GN/WH)  
 15-AJ26 (GN/YE)

- (16) 8-AJ56 (WH/GN)  
 8-AJ42 (WH/GN)

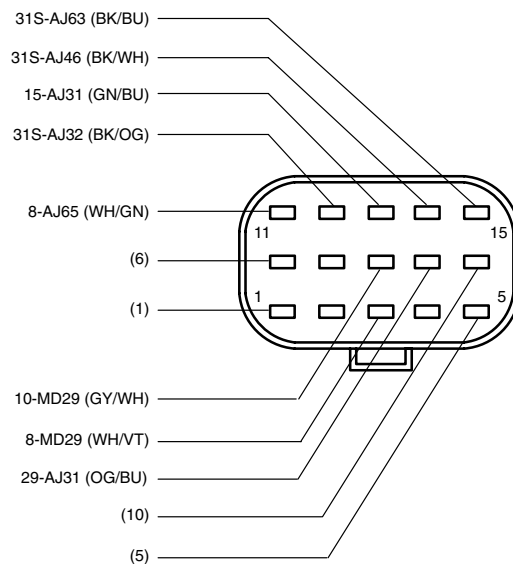
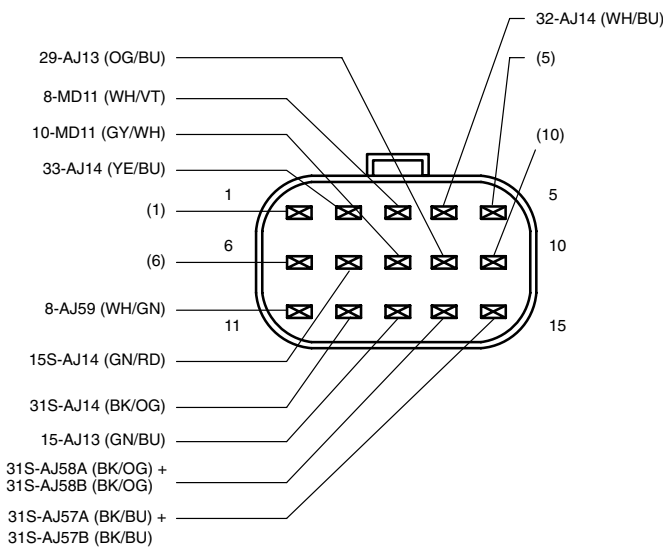
**C45**

**14014**

**14A584**

F15008

F15012



- (1) 31-AJ13 (BK)  
 31-DA13 (BK)  
 31-DA13C (BK)  
 31-LH36 (BK)  
 31-AJ31 (BK)

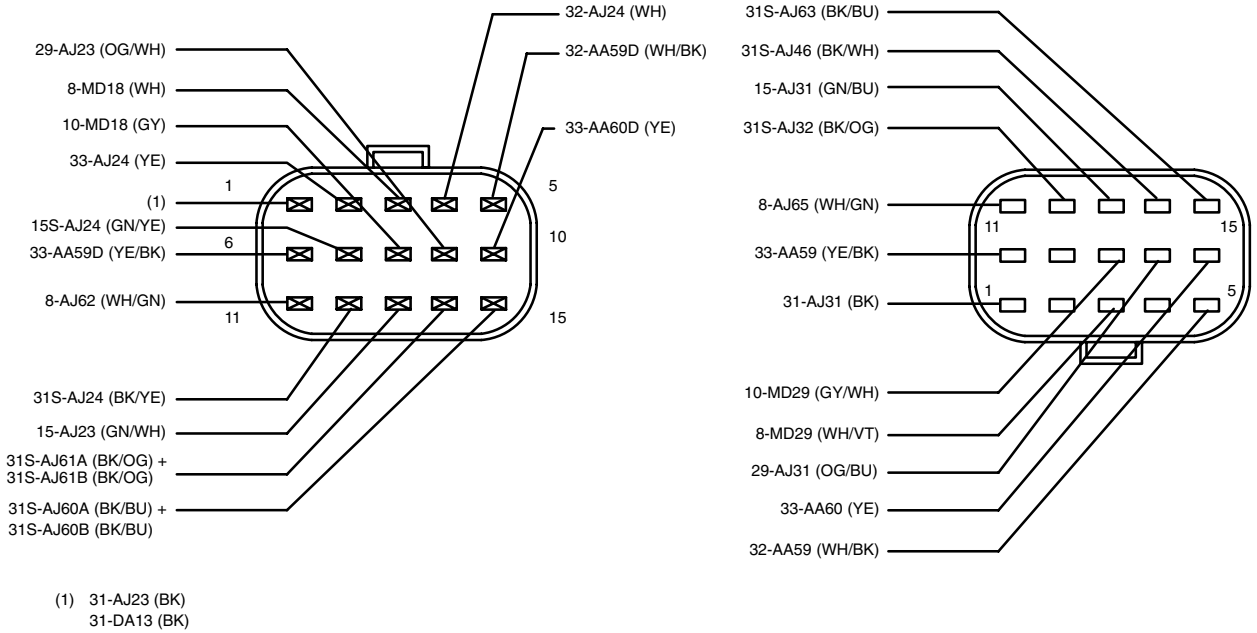
- (5) 32-AA59 (WH/BK)  
 32-AA59C (WH/BK)
- (6) 33-AA59 (YE/BK)  
 33-AA59C (YE/BK)

- (10) 33-AA60 (YE)  
 33-AA60C (YE)

**C46**

**14014**  
F15008

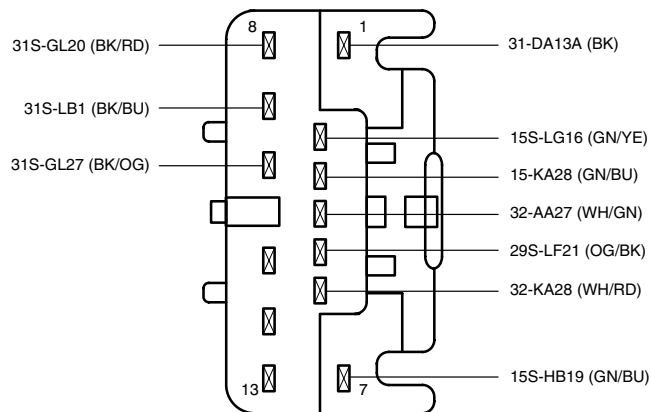
**14A584**  
F15012



**C47**

**14014**

F13010

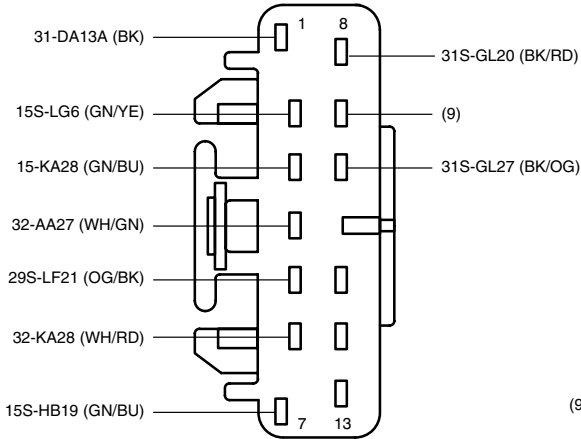


**C48** (GY)

3-door model, 4-door model/5-door model

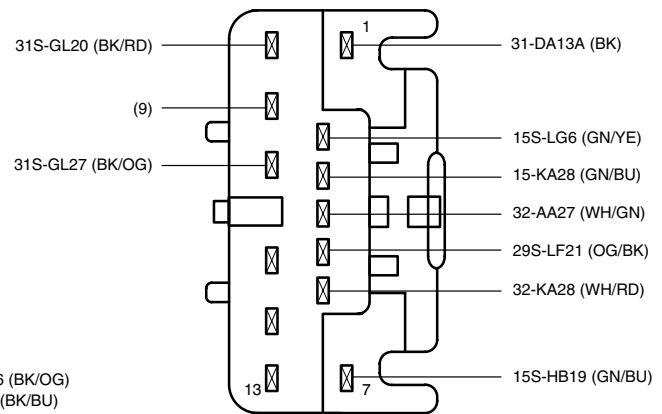
**14A584**

F13009



**14014**

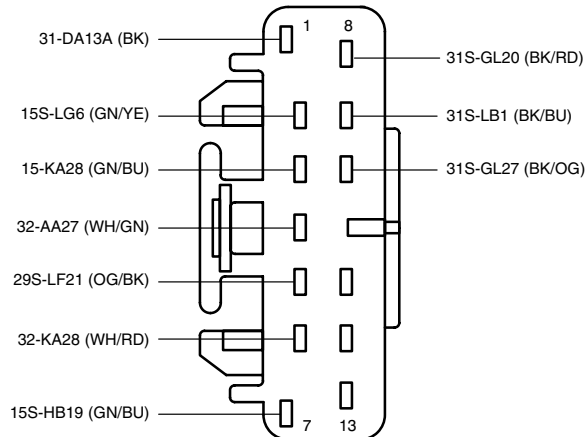
F13010



wagon

**14405**

F13009

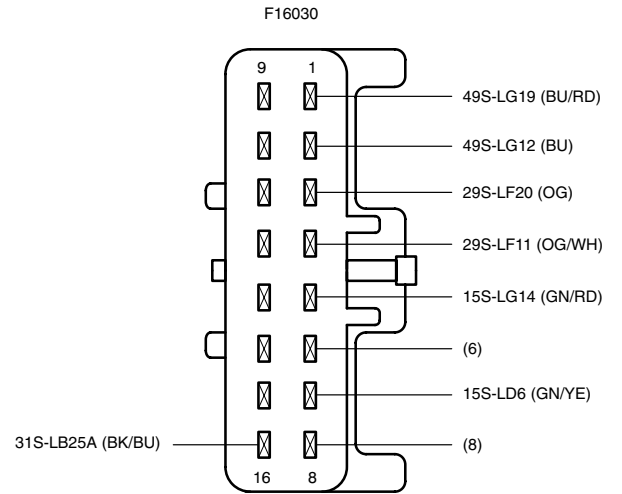
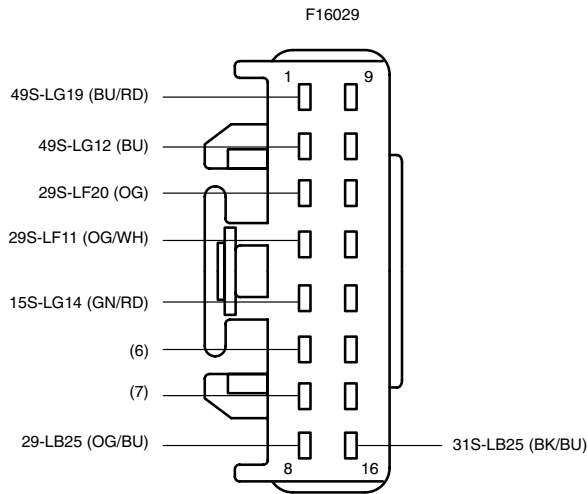




**C50** (BU)

**14405**

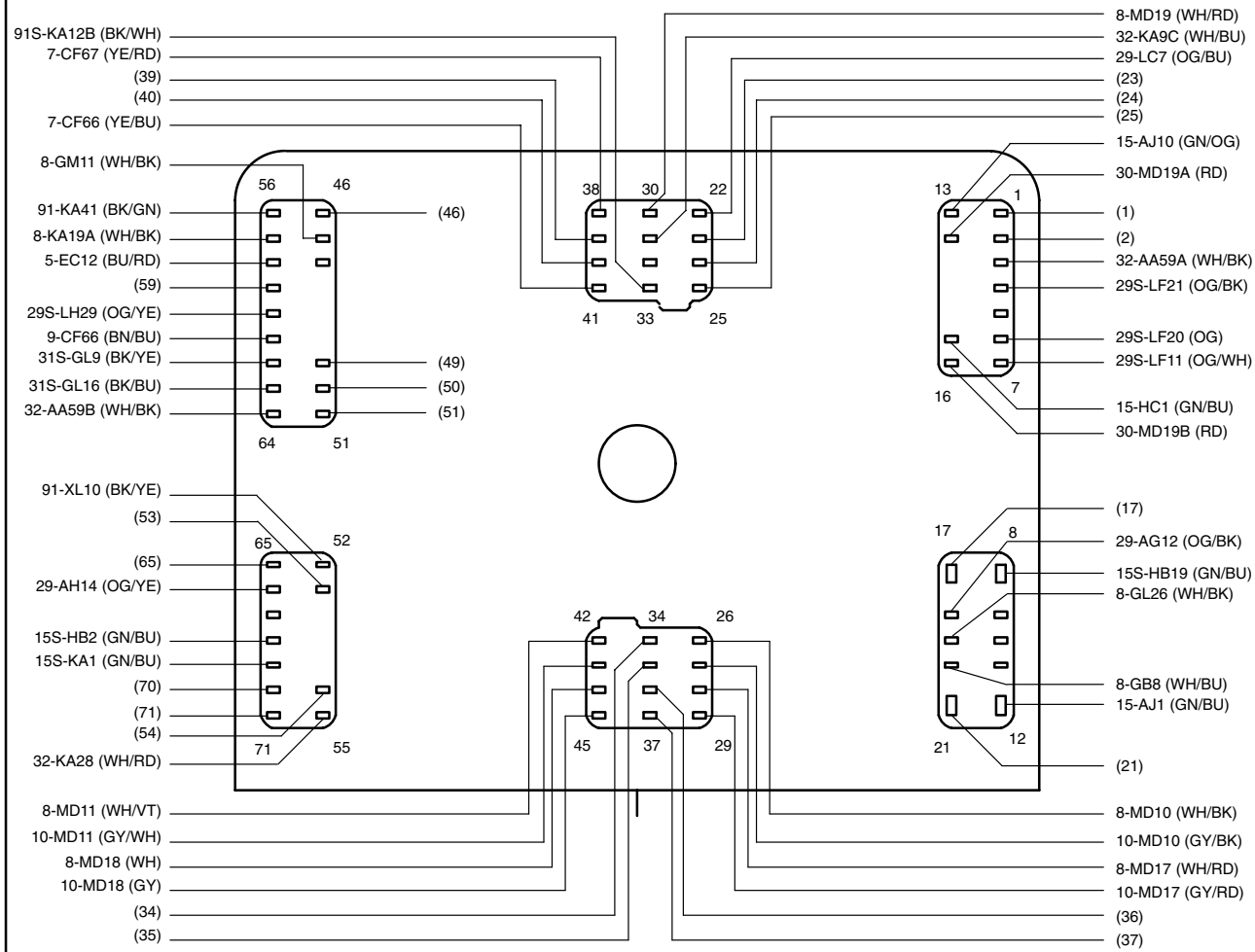
**14014**



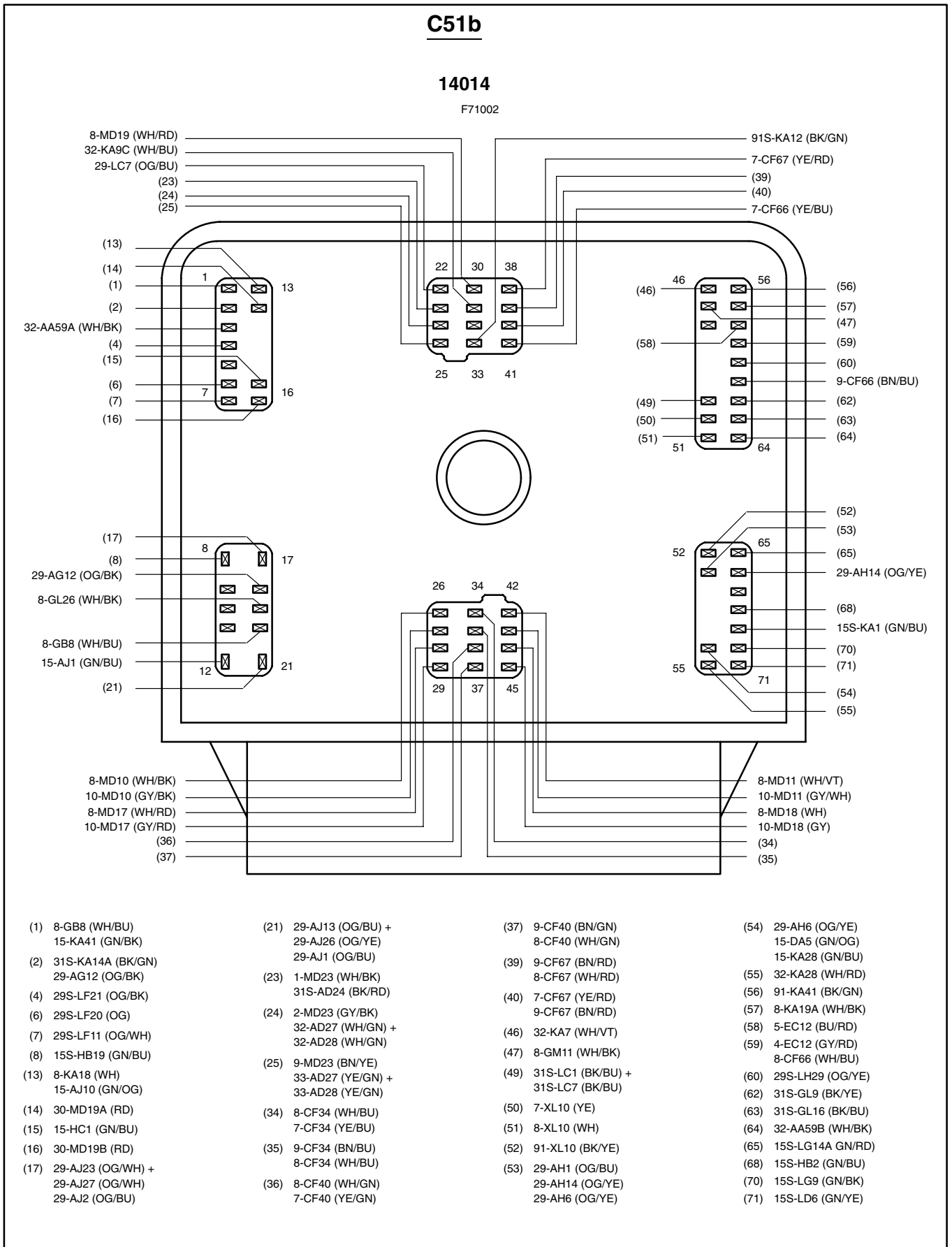
- (6) 15S-LG9 (GN/BK)
- 15S-LD6 (GN/YE)
- (7) 15S-LD6 (GN/YE)
- 15S-LG9 (GN/BK)

- (6) 15S-LG9 (GN/BK)
- 15S-LD6 (GN/YE)
- (8) 29-LB25 (OG/BU)
- 29-LB25A (OG/BU)

**C51a**  
**14401**  
F71004



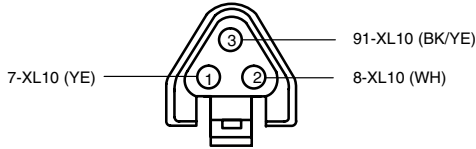
- |   |  |   |   |
|---|--|---|---|
| (1) 15-KA41 (GN/BK)<br>8-GB8 (WH/BU)                        | (24) 2-MD23 (GY/BK)<br>32-AD26 (WH/GN) | (39) 9-CF67 (BN/RD)<br>8-CF67 (WH/RD)       | (54) 15-KA28 (GN/BU)<br>15-DA5 (GN/OG)    |
| (2) 31S-KA14A (BK/GN)<br>29-AG12 (OG/BK)                    | (25) 33-AD26 (YE/GN)<br>9-MD23 (BN/YE) | (40) 7-CF67 (YE/RD)<br>9-CF67 (BN/RD)       | (59) 4-EC12 (GY/RD)<br>8-CF66 (WH/BU)     |
| (17) 29-AJ2 (OG/BU)<br>29-AJ27 (OG/WH) +<br>29-AJ23 (OG/WH) | (34) 8-CF34 (WH/BU)<br>7-CF34 (YE/BU)  | (46) 32-KA7B (WH/VT)                        | (65) 15S-LG14A (GN/RD)<br>15S-LG6 (GN/YE) |
| (21) 29-AJ1 (OG/BU)<br>29-AJ13 (OG/BU) +<br>29-AJ26 (OG/YE) | (35) 9-CF34 (BN/BU)<br>8-CF34 (WH/BU)  | (49) 31S-LC11 (BK/WH) +<br>31S-LC23 (BK/WH) | (70) 15S-LG9A (GN/BK)<br>15S-LD6 (GN/YE)  |
| (23) 1-MD23 (WH/BK)<br>31S-AD24 (BK/RD)                     | (36) 8-CF40 (WH/GN)<br>7-CF40 (YE/GN)  | (50) 7-XL10 (YE)                            | 15S-LG3 (GN/YE) +<br>15S-LG9 (GN/BK)      |
|   | (37) 9-CF40 (BN/GN)<br>8-CF40 (WH/GN)  | (51) 8-XL10 (WH)                            | (71) 15S-LG9A (GN/BK)<br>15S-LD6 (GN/YE)  |
|   |  | (53) 29-AH1 (OG/BU)<br>29-AH6 (OG/YE)       |   |



**C54** (BK)

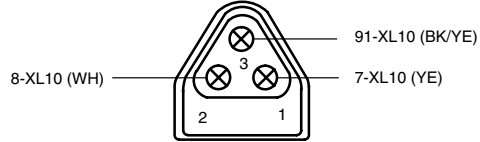
**14014**

F03015



**14A107**

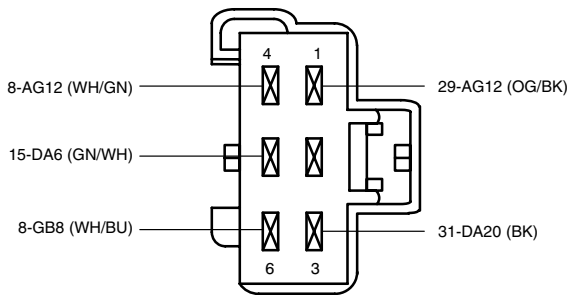
F03005



**C55**

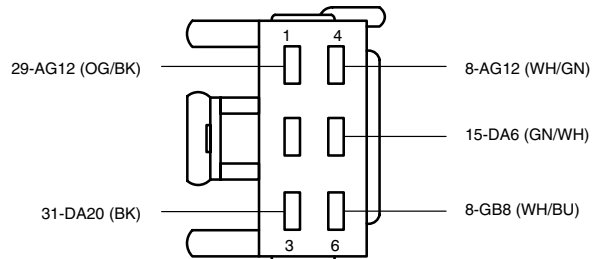
**14014**

F06112



**15C670**

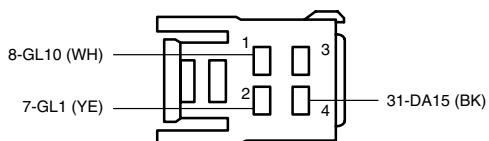
F06109



**C56** (GY)

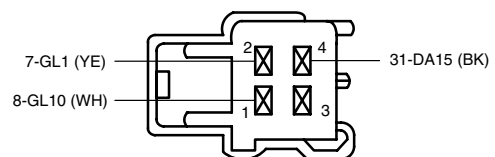
**19L540**

F04106



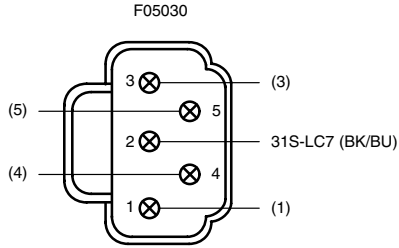
**14014**

F04105

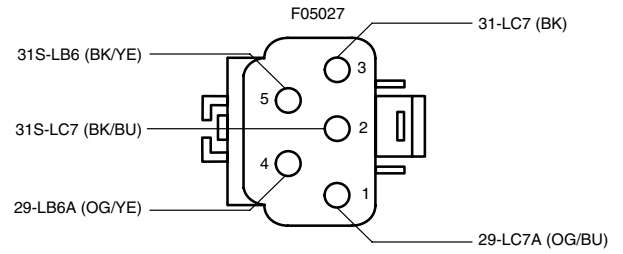


**C57**

**14335**



**14014**



- (1) 29-LC7A (OG/BU)
- 49S-LG19 (BU/RD)

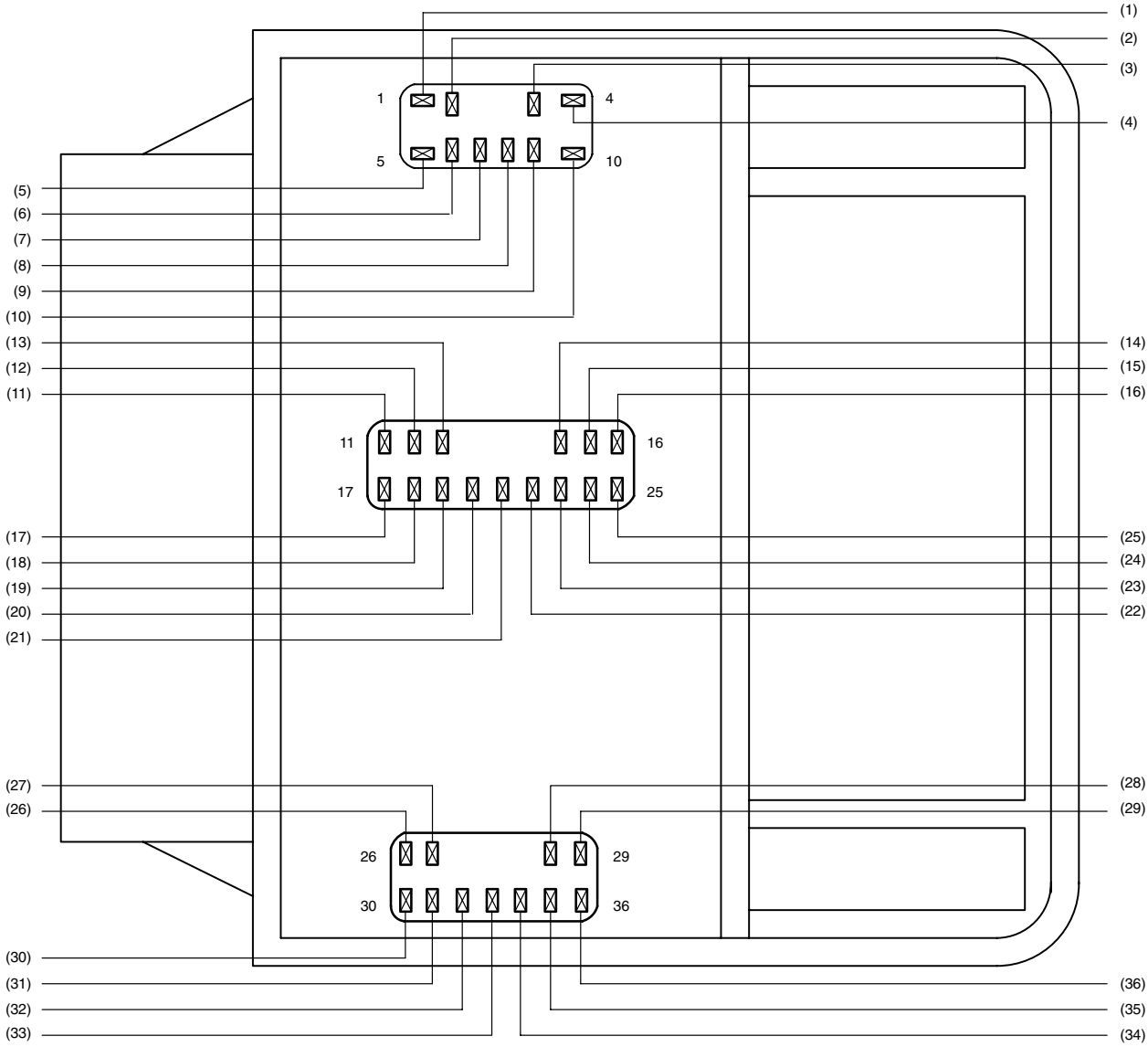
- (4) 31-LG9 (BK)
- 29-LB6A (OG/YE)
- 31-LG16 (BK)

- (3) 31-LC7A (BK)
- 31-LF24 (BK)
- 31-LF23 (BK)

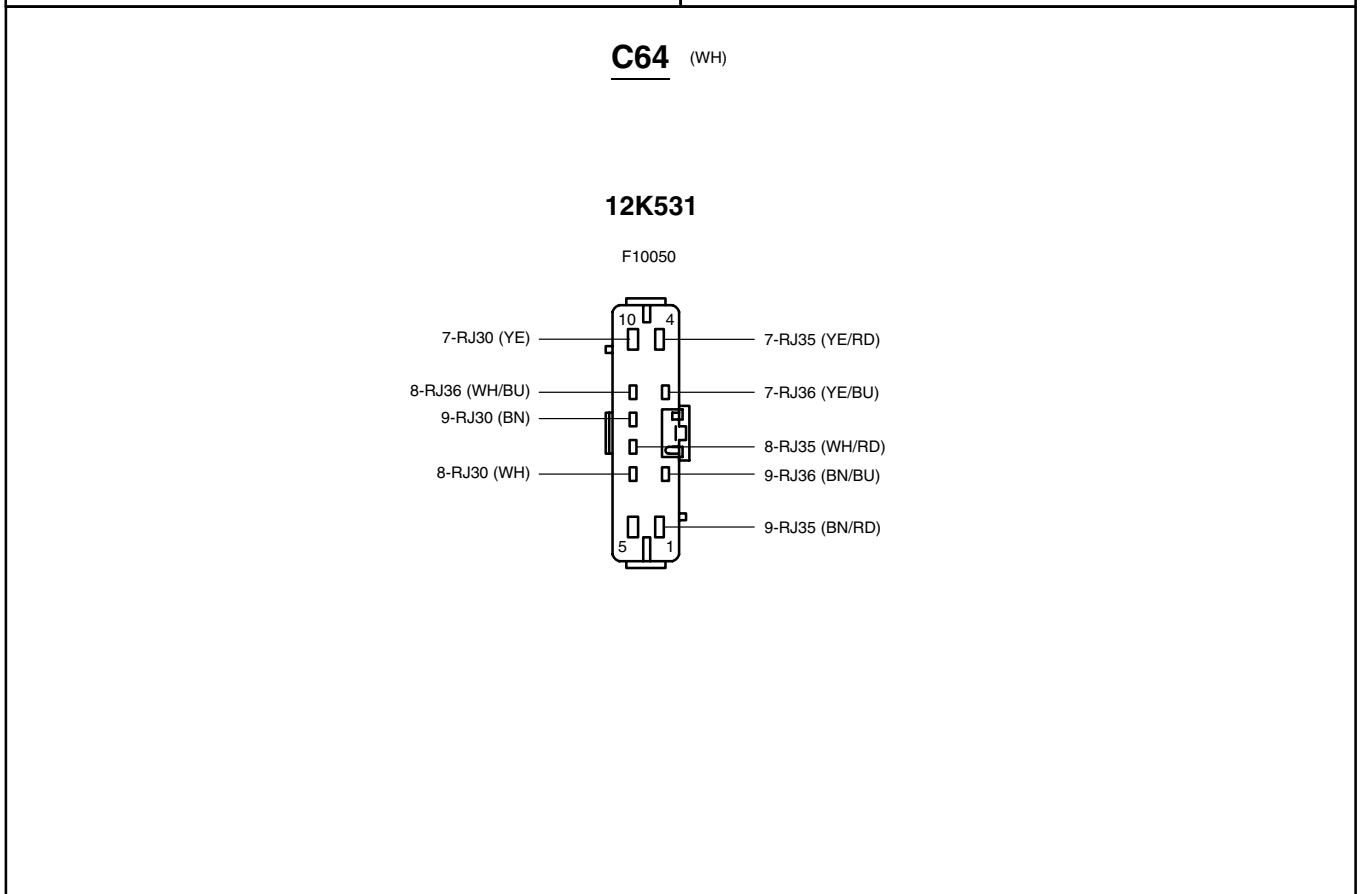
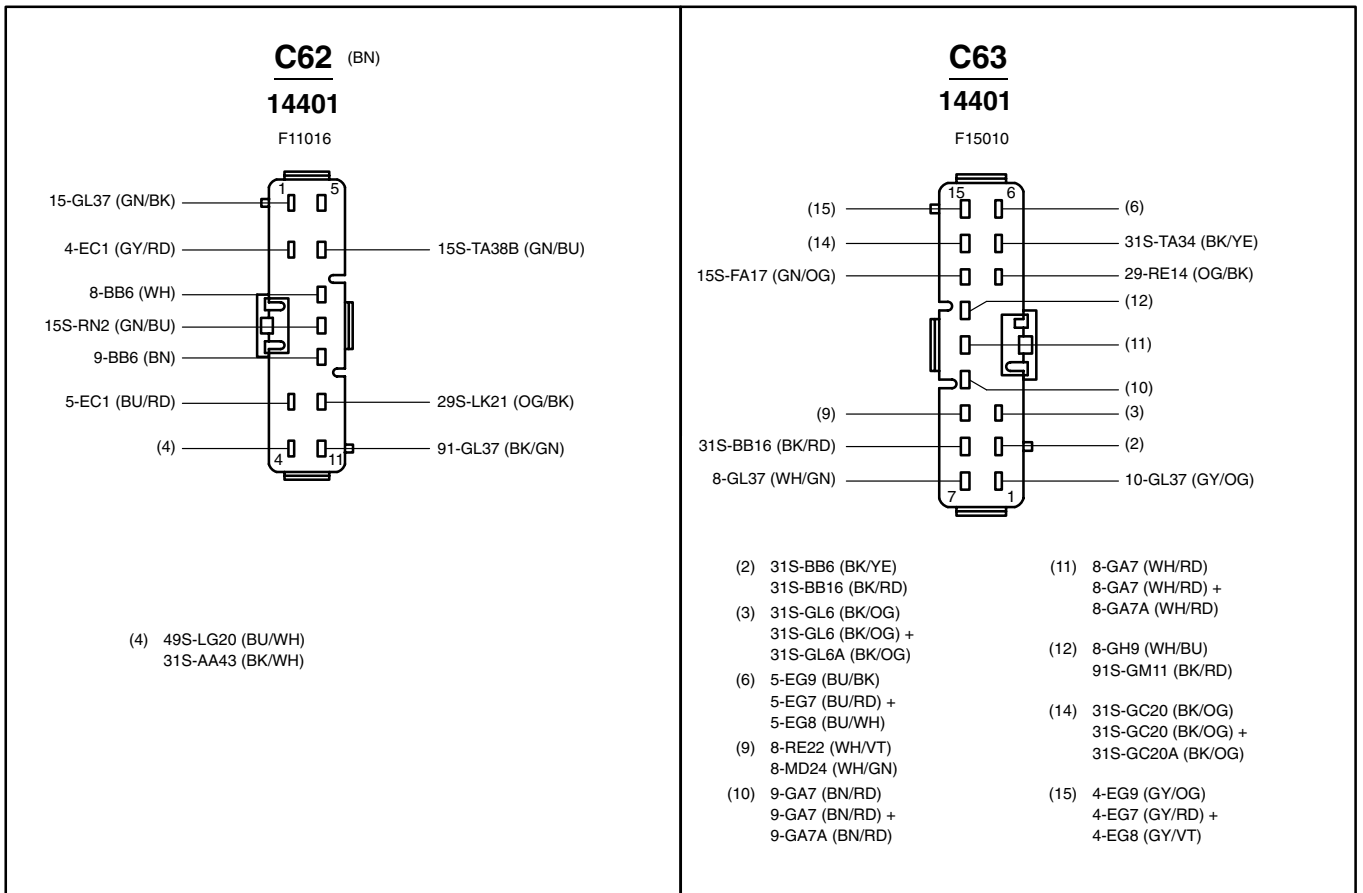
- (5) 31S-LB6 (BK/YE)
- 15S-LG16 (GN/OG)
- 15S-LG9A (GN/BK)

**C61**

F360002



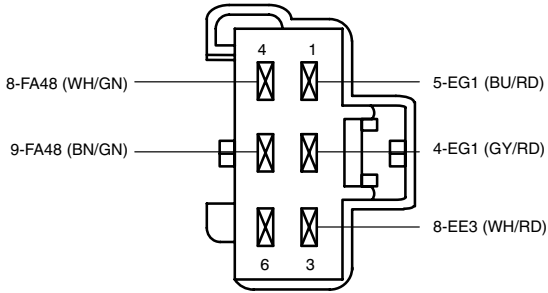
- |  |                       |   |
|--|-----------------------|---|
| (1) 9-RN3 (BN/RD) +<br>9-RJ30 (BN)<br>9-RJ35 (BN/RD) | (13) 31S-GL6 (BK/OG)  | (27) 4-EC7 (GY/RD)<br>4-EC1 (GY/RD)       |
| (2) 9-RJ36 (BN/BU)                                   | (14) 29-RE14 (OG/BK)  | (28) 5-EC1 (BU/RD)<br>5-EC7 (BU/RD)       |
| (3) 7-RJ36 (YE/BU)                                   | (15) 31S-TA34 (BK/YE) | (29) 49S-LG20 (BU/WH)<br>31S-AA43 (BK/WH) |
| (4) 7-RN3 (YE/RD) +<br>7-RJ30 (YE)<br>7-RJ35 (YE/RD) | (16) 5-EG9 (BU/BK)    | (30)                                      |
| (5)  | (17) 8-GL37 (WH/GN)   | (31) 15S-TA38B (GN/BU)                    |
| (6) 8-RJ30 (WH)                                      | (18) 31S-BB16 (BK/RD) | (32) 8-BB6 (WH)<br>91S-BB6 (BK/YE)        |
| (7) 8-RJ35 (WH/RD)                                   | (19) 8-RE22 (WH/VT)   | (33) 15S-RN2 (GN/BU)                      |
| (8) 9-RJ30 (BN)                                      | (20) 9-GA7 (BN/RD)    | (34) 9-BB6 (BN)<br>91-BB6 (BK/YE)         |
| (9) 8-RJ36 (WH/BU)                                   | (21) 8-GA7 (WH/RD)    | (35) 29S-LK21 (OG/BK)                     |
| (10) 7-RJ30 (YE)                                     | (22) 8-GH9 (WH/BU)    | (36) 91-GL37 (BK/GN)                      |
| (11) 10-GL37 (GY/OG)                                 | (23) 15S-FA17 (GN/OG) |   |
| (12) 31S-BB16 (BK/RD)                                | (24) 31S-GC20 (BK/OG) |   |
|  | (25) 4-EG9 (GY/OG)    |   |
|  | (26) 15-GL37 (GN/BK)  |   |



**C66** (GY)

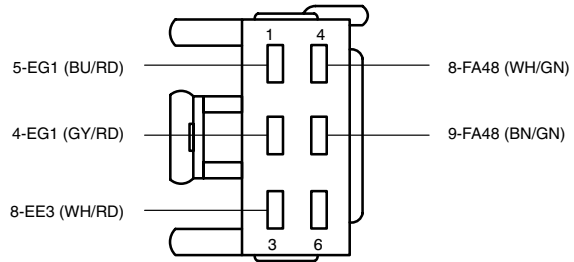
**14401**

F06112



**19C603**

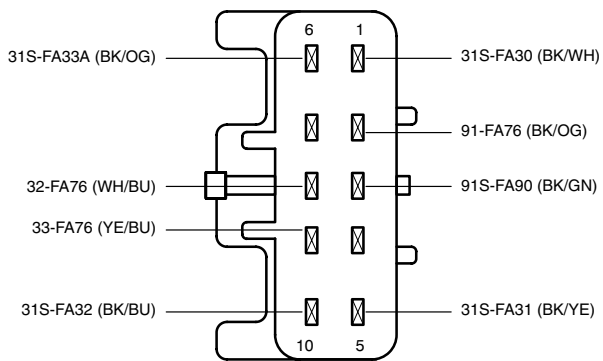
F06109



**C67** (GY)

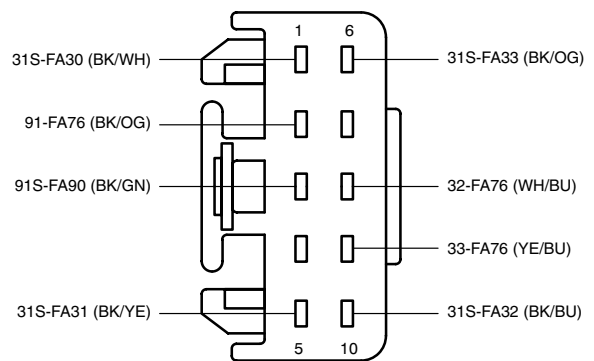
**14401**

F10041



**18B604**

F10042

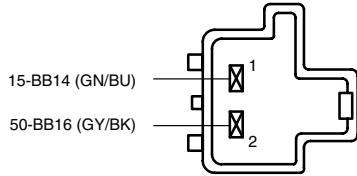




**C68**

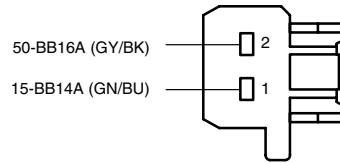
**14401**

F02050



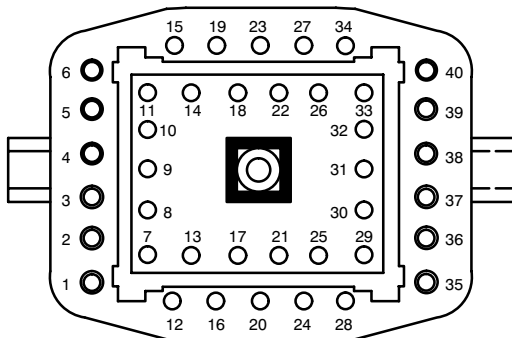
**14401**

F02053



**14401**

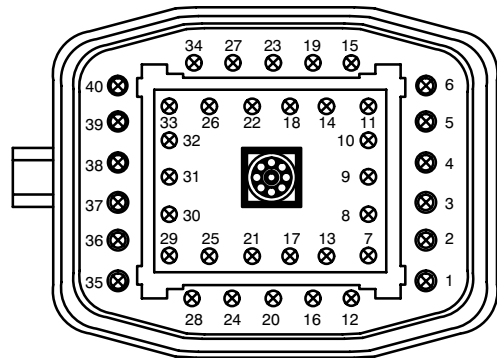
F40002.01



**C70** (GY)

**14K733**

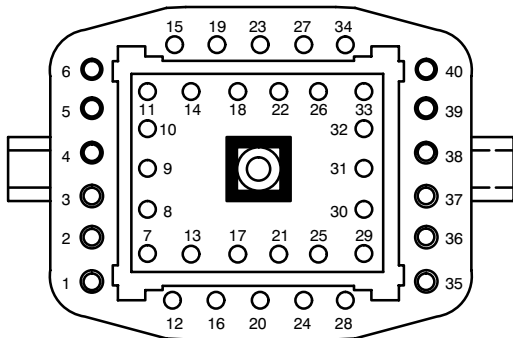
F40002



- |                      |                      |                       |                       |                      |
|----------------------|----------------------|-----------------------|-----------------------|----------------------|
| (1) 30-DA1 (RD)      | (11) 30-GG14 (RD)    | (20) 32-KA9 (WH/BU)   | (29) 7-CF34 (YE/BU)   | (35) 33-KA34 (YE/BK) |
| 15-DA3 (GN/RD)       | 9-JA49 (BN)          | (21) 31S-CF45 (BK/GN) | 8-CF34 (WH/BU)        | (36) 15-LG28 (GN/WH) |
| (2) 30-DA1 (RD)      | (12) 49S-LG5(BU/WH)  | (22) 31S-CF28 (BK/RD) | (30) 8-CF40 (WH/GN)   | 15-LG28A (GN/WH)     |
| 15-DA1 (GN/YE)       | 49S-LG3 (BU)         | (23) 31S-GE44 (BK/RD) | 9-CF40 (BN/GN)        | (37) 32-KA34 (WH/BK) |
| (3) 30-MD19 (RD)     | (13) 49S-LG18 (BU)   | (24) 15S-CF58 (GN/OG) | (31) 7-CF40 (YE/GN)   | 32-KA34A (WH/BK)     |
| (4) 15-FA18 (GN/OG)  | 49S-LG4 (BU/RD)      | (25) 8-EE2 (WH/RD)    | 8-CF40 (WH/GN)        | (38) 15-FA38 (GN/RD) |
| (5) 30-BB9 (RD)      | (14) 64-LE1 (BU)     | 8-EE8 (WH/BU)         | (32) 29S-LF16 (OG/GN) | 15-KA9 (GN/RD)       |
| (6) 50-BB12 (GY)     | (15) 15-CF6 (GN/YE)  | (26) 29S-GJ1 (OG/BU)  | 29S-LF4 (OG/BU)       | (39) 15S-LD1 (GN/YE) |
| (7) 15S-LE12 (GN/YE) | (16) 15S-LG3 (GN/YE) | (27) 30-RA1 (RD)      | (33) 29S-LF7 (OG/BU)  | 15S-LD9 (GN/BK)      |
| (8) 15S-LE19 (GN/BU) | (17) 32-KA10 (WH/GN) | 8-JA49 (WH)           | 29S-LF3 (OG/YE)       | (40) 15-DA2 (GN/BU)  |
| (9) 15S-LE11 (GN/WH) | (18) 32-KA11 (WH/BK) | (28) 8-CF34 (WH/BU)   | (34) 31S-GC6 (BK/YE)  | 30-DA1 (RD)          |
| (10) 31S-GL7 (BK/YE) | (19) 15-KA9 (GN/RD)  | 9-CF34 (BN/BU)        |                       |                      |
|                      | 15S-FA38 (GN/RD)     |                       |                       |                      |

**14401**

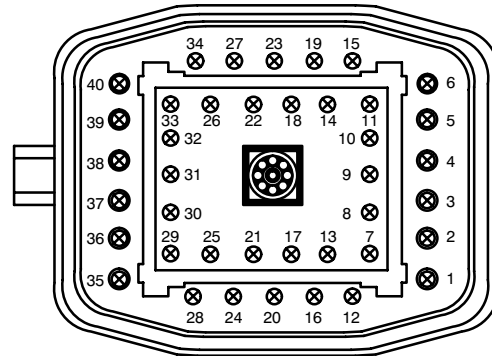
F40002.01



**C71** (BN)

**14K733**

F40002



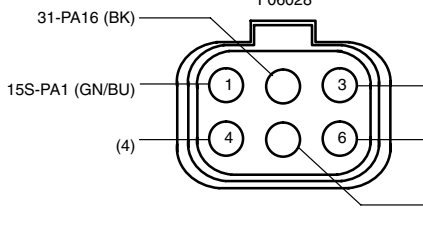
- |                     |                        |                      |                       |
|---------------------|------------------------|----------------------|-----------------------|
| (1) 7-CF1 (YE/RD)   | (12) 31S-CF45A (BK/GN) | (22) 9-PG13 (BN)     | (31) 8-XL22 (WH)      |
| (2) 9-CF1 (BN/RD)   | (13) 8-CE8 (WH/BU)     | (23) 31S-HB7 (BK/BU) | (32) 8-XL10 (WH)      |
| (3) 9-CF67 (BN/RD)  | (14) 8-GE38 (WH/BK)    | (24) 8-PG11 (WH/BK)  | (33) 91-XL10 (BK/YE)  |
| (4) 5-EC12 (BU/RD)  | (15) 4-EG6 (GY)        | (25) 15S-LE6 (GN/YE) | (34) 8-XL10 (WH)      |
| (5) 4-EC12 (GY/RD)  | (16) 91S-CF54 (BK/WH)  | (26) 64-HB6 (BU)     | (35) 15S-PG16 (GN/YE) |
| (6) 9-CF1 (BN/RD)   | (17) 9-GE38 (BN/YE)    | (27) 8-GL26 (WH/BK)  | (36) 15S-PG17 (GN/BU) |
| (7) 7-CF1 (YE/RD)   | (18) 91S-GC8 (BK/OG)   | (28) 10-CE8 (GY/VT)  | (37) 7-XL10 (YE)      |
| (8) 9-CF1 (BN/RD)   | (19) 5-EG6 (BU)        | (29) 9-JA49 (BN)     | (38) 50-BB16 (GY/BK)  |
| (9) 9-CF67 (BN/RD)  | (20) 8-PG18 (WH/BU)    | (30) 8-JA49 (WH)     | (39) 30-LE29 (RD)     |
| (10) 5-EC12 (BU/RD) | (21) 8-PG13B (WH)      |                      |                       |
| (11) 4-EC12 (GY/RD) | 8-PG13 (WH)            |                      |                       |

**C74**

ZETEC-E

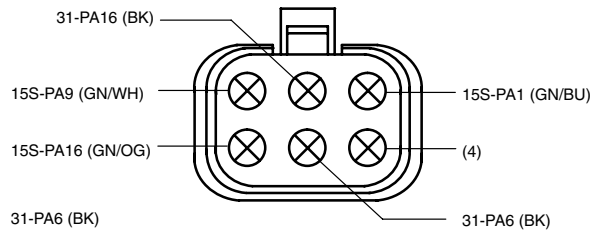
**14K733**

F06028



**8C290**

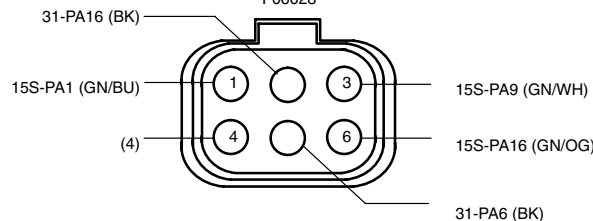
F06029



all others

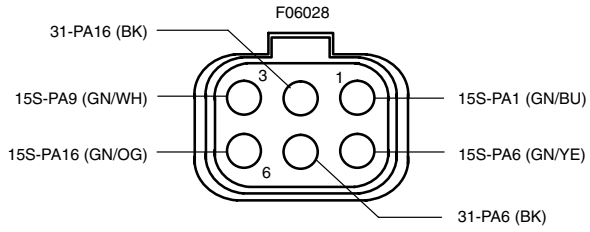
**14K733**

F06028



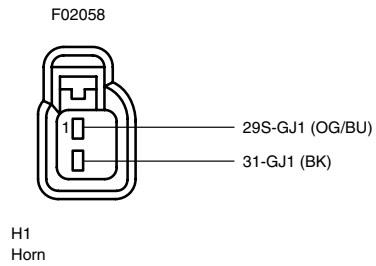
- (4) 15S-PA6A (GN/YE)  
15S-PA6 (GN/YE)

**C76**  
**8C290**

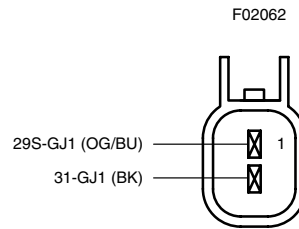


**C77**

**14K733**

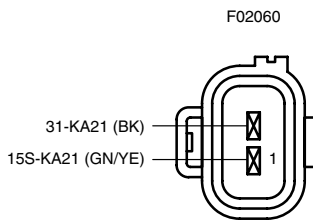


**13A840**

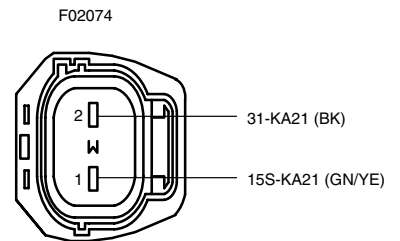


**C79 (GY)**

**13K081**



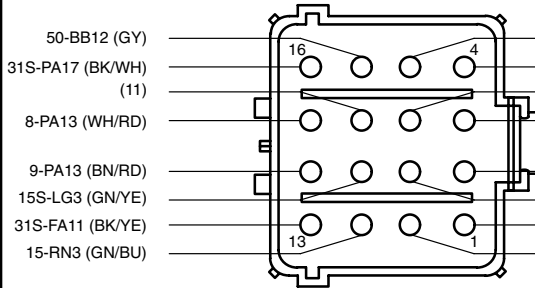
**14K733**



**C80**

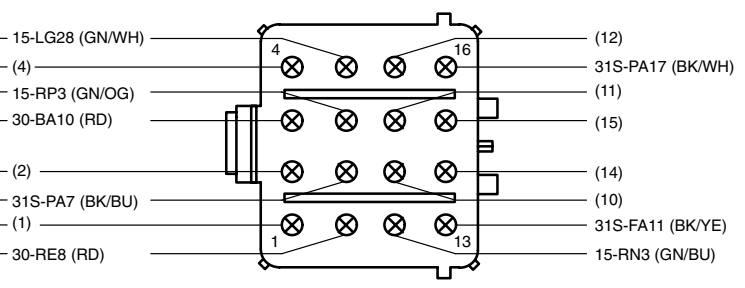
**14K733**

F16020



**12A522**

F16020.01



- (1) 15S-RS4 (GN/YE)  
15-RR4 (GN/BU)
- (2) 15-RE17 (GN/BU)  
31S-RH5 (BK/BU)  
15S-FA38 (GN/RD)  
15S-RE17 (GN/BU)  
15S-FA17 (GN/OG)

- (4) 15-RJ14 (GN/YE)  
31S-RH10 (BK/OG)  
15-RJ14A (GN/YE)
- (10) 15S-LG3 (GN/YE)  
15S-LG3B (GN/YE)

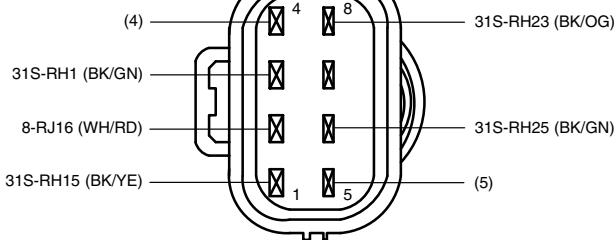
- (11) 31S-PA19 (BK/GN)  
15S-RE8 (GN/YE)
- (12) 50-BB12 (GY)  
50-BB14 (GY/RD)

- (14) 9-PA13 (BN/RD)  
91-PA13 (BK/BU)
- (15) 8-PA13 (WH/RD)  
91S-PA13 (BK/BU)

**C81 (GY)**

**12A522**

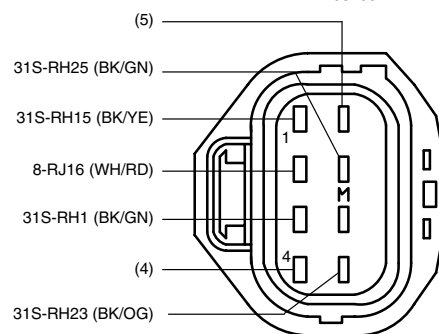
F08098



- (4) 15S-RE8 (GN/YE)  
15S-FA17 (GN/OG)
- (5) 15S-FA38 (GN/RD)  
91S-RS3 (BK/WH)

**14K733**

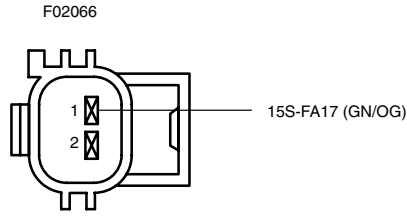
F08100



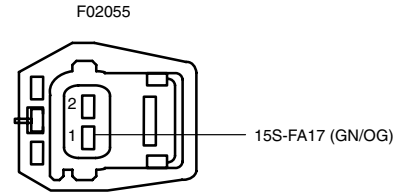
- (4) 15S-RE8 (GN/YE)  
15S-FA17 (GN/OG)
- (5) 15S-FA38 (GN/RD)  
91S-RS3 (BK/WH)

**C82**

**12A522**

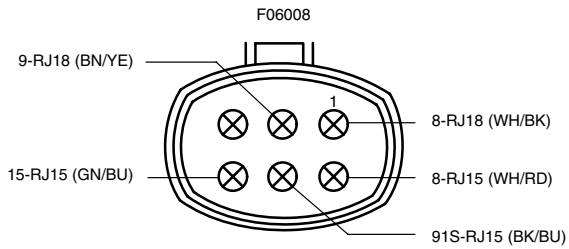


**14K733**

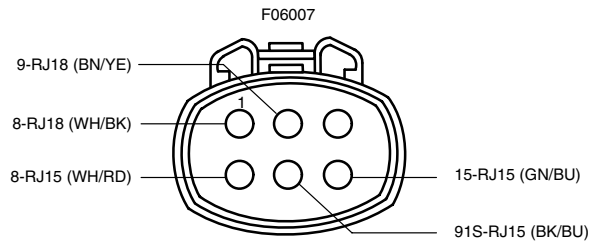


**C86**

**9H589**

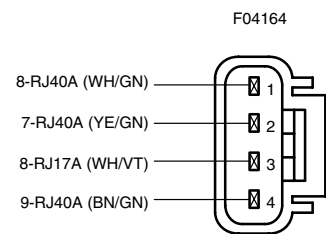
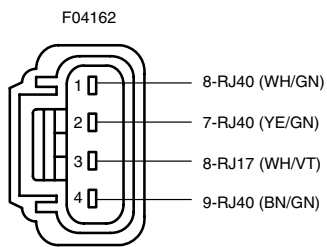


**12A522**



**C88**

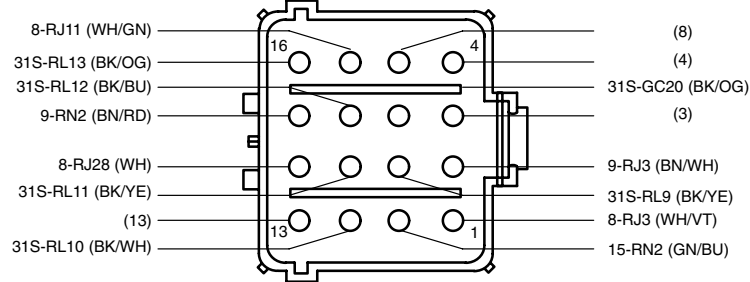
**9H589**



**C90** (GY)

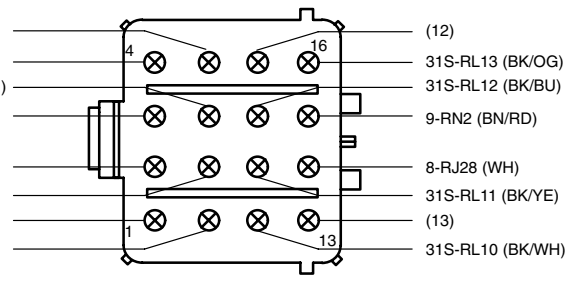
**12A522**

F16020



**9H589**

F16020.01



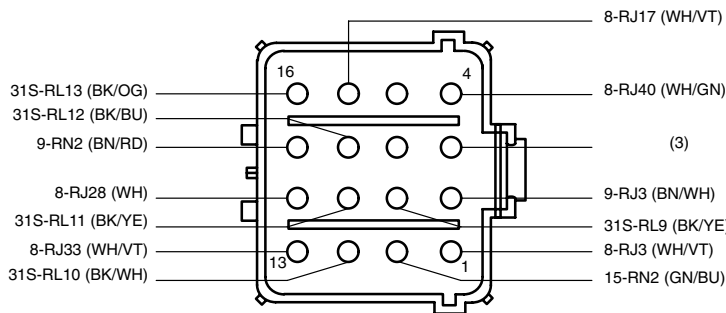
- (3) 7-RJ28 (YE)
- 7-RN2 (YE/RD)
- 7-RJ28A (YE)
- (4) 9-RJ18 (BN/YE)
- 8-RJ40 (WH/GN)

- (8) 31S-RL27 (BK/RD)
- 8-RJ18 (WH/BK)
- (12) 8-RJ11 (WH/GN)
- 8-RJ17 (WH/VT)

- (13) 8-RJ5 (WH)
- 8-RJ33 (WH/VT)

**12A522**

F16034

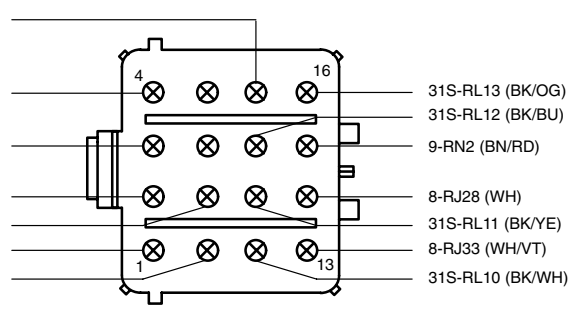


- (3) 7-RJ28 (YE)
- 7-RN2 (YE/RD)

- (8) 31S-RL27 (BK/RD)
- 8-RJ18 (WH/BK)

**9H589**

F16036

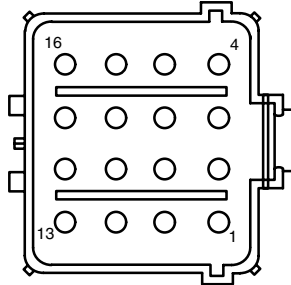


- (13) 8-RJ5 (WH)
- 8-RJ33 (WH/VT)

**C93** (GY)

**12A522**

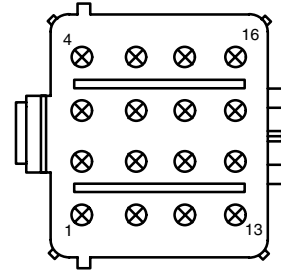
F16034



- |                      |                      |
|----------------------|----------------------|
| (1) 91S-RL10 (BK/WH) | (7) 15S-RL13 (GN/RD) |
| (2) 15S-RL10 (GN/WH) | (8) 91S-RL13 (BK/OG) |
| (3) 15S-RL11 (GN/YE) | (9) 7-RJ11 (YE/GN)   |
| (4) 91S-RL11 (BK/YE) | (10) 8-RJ11 (WH/GN)  |
| (5) 91S-RL12 (BK/BU) | (11) 9-RJ11 (BN/GN)  |
| (6) 15S-RL12 (GN/BU) |                      |

**9H589**

F16036

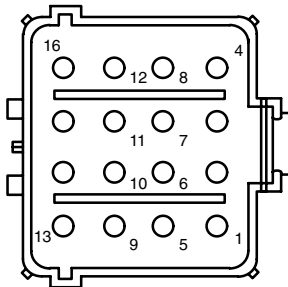


- |                     |
|---------------------|
| (12) 8-RJ12 (WH/BU) |
| (13) 9-RJ12 (BN/BU) |
| (14) 7-RJ3 (YE/VT)  |
| (15) 8-RJ3 (WH/VT)  |
| (16) 9-RJ3 (BN/WH)  |

**C94**

**12A522**

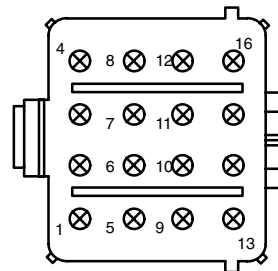
F16020



- |                      |                      |
|----------------------|----------------------|
| (1) 8-RJ29 (WH/BU)   | (7) 91-RJ29 (BK/OG)  |
| (2) 8-RJ33 (WH/VT)   | (8) 9-RJ18B (BN/YE)  |
| (3) 9-RJ33 (BN/WH)   | (9) 15-RJ29 (GN/RD)  |
| (4) 31S-GC20 (BK/OG) | (11) 15-RJ29 (GN/RD) |
| (5) 9-RJ4 (BN/RD)    | 15-RL45 (GN/BU)      |
| (6) 8-RJ4 (WH/RD)    | (12) 8-RJ18 (WH/BK)  |
|                      | 15S-RL45 (GN/BU)     |

**9H589**

F16020.01

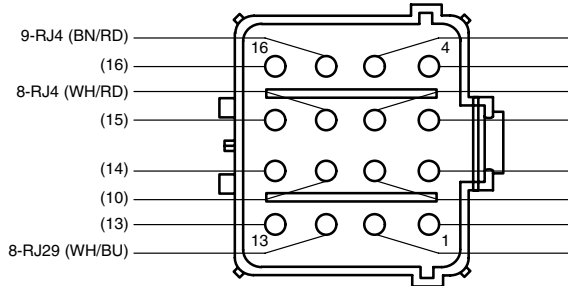


- |                      |
|----------------------|
| (13) 91-RJ29 (BK/OG) |
| 91S-RL45 (BK/BU)     |
| (15) 15-LG28 (GN/WH) |
| (16) 15S-LG3 (GN/YE) |
| 15S-LG3B (GN/YE)     |

**C95** (GY)

**12A522**

F16034

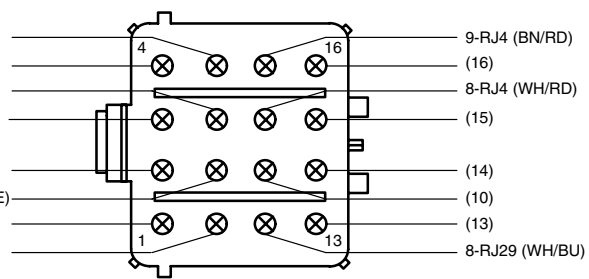


- 9-RJ4 (BN/RD) (16)
- 8-RJ4 (WH/RD) (15)
- (14)
- (10)
- (13)
- 8-RJ29 (WH/BU) (13)

- (8)
- (4)
- (7)
- (3)
- (2)
- 91-CE6 (BK/YE) (1)
- (5)

**12A690**

F16036



- 9-RJ4 (BN/RD) (16)
- 8-RJ4 (WH/RD) (15)
- (14)
- (10)
- (13)
- 8-RJ29 (WH/BU) (13)

- (1) 8-RJ14 (WH)
- 8-RJ18 (WH/BK)
- (2) 8-RJ33 (WH/VT)
- 91S-CE6 (BK/YE)
- 8-CE6 (WH)
- (3) 9-RJ14 (BN)
- 9-RJ33 (BU/WH)
- 9-TA36 (BN/GN)
- (4) 30-BA10 (RD)
- 8-RJ15 (WH/RD)
- 91S-RJ15 (BK/BU)
- (5) 9-RJ18 (BN/YE)
- 91S-RJ14 (BK/YE)

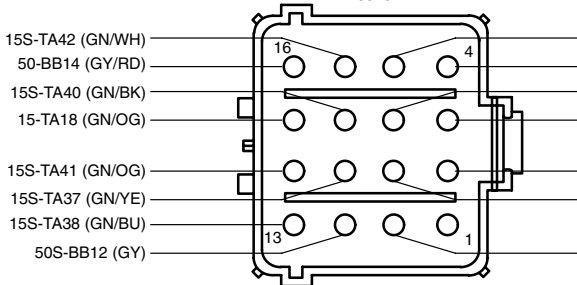
- (6) 91-CE6 (BK/YE)
- (7) 4-EB6 (GY)
- 9-RJ15 (BN/RD)
- 9-TA36 (BN/GN)
- (8) 5-EB6 (BU)
- 8-RJ15 (WH/RD)
- 91S-RJ15 (BK/BU)
- (9) 8-RJ29 (WH/BU)
- (10) 15-RJ14 (GN/YE)
- 31S-GC20 (BK/OG)
- 15-RJ14A (GN/YE)
- 15-RJ15 (GN/BU)
- 15S-RJ14A (GN/YE)

- (11) 8-RJ4 (WH/RD)
- (12) 9-TA36 (BN/GN)
- 9-RJ4 (BN/RD)
- (13) 9-RJ29 (BN/BU)
- 91-RJ29 (BK/OG)
- (14) 8-TA36 (WH/GN)
- 15-RJ29 (GN/RD)
- (15) 9-TA27 (BN/WH)
- 15-LG28 (GN/WH)
- (16) 8-TA27 (WH/VT)
- 15S-LG3 (GN/YE)

**C96**

**12A522**

F16020

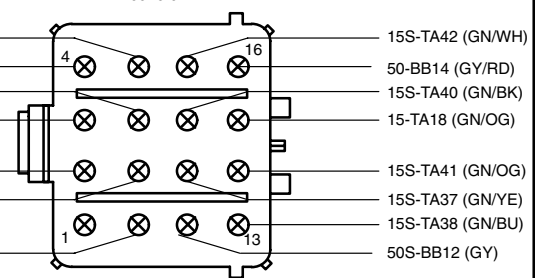


- 15S-TA42 (GN/WH) (16)
- 50-BB14 (GY/RD) (15)
- 15S-TA40 (GN/BK) (14)
- 15-TA18 (GN/OG) (10)
- 15S-TA41 (GN/OG) (13)
- 15S-TA37 (GN/YE) (1)
- 15S-TA38 (GN/BU) (13)
- 50S-BB12 (GY) (1)

- 15S-TA24 (GN/BU) (8)
- 91S-TA17 (BK/RD) (4)
- 15S-TA23 (GN/YE) (7)
- 15S-TA17 (GN/OG) (3)
- 15S-TA63 (GN/BK) (2)
- 15S-TA64 (GN/OG) (1)
- 15S-TA65 (GN/WH) (5)

**12A690**

F16020.01



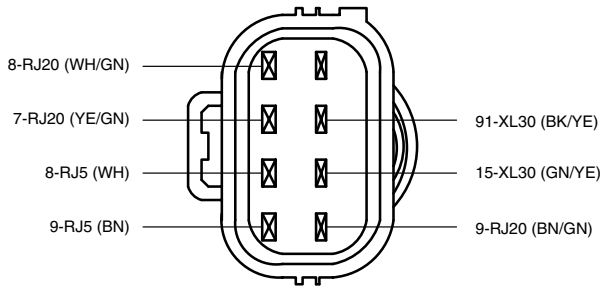
- 15S-TA42 (GN/WH) (16)
- 50-BB14 (GY/RD) (15)
- 15S-TA40 (GN/BK) (14)
- 15-TA18 (GN/OG) (10)
- 15S-TA41 (GN/OG) (13)
- 15S-TA37 (GN/YE) (1)
- 15S-TA38 (GN/BU) (13)
- 50S-BB12 (GY) (1)



**C98**

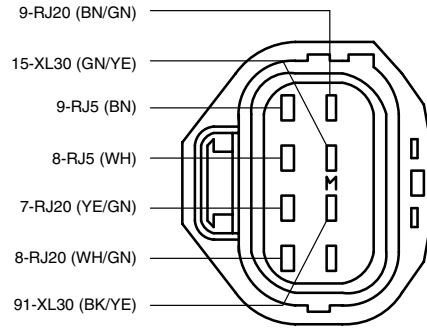
**12A522**

F08098



**9J443**

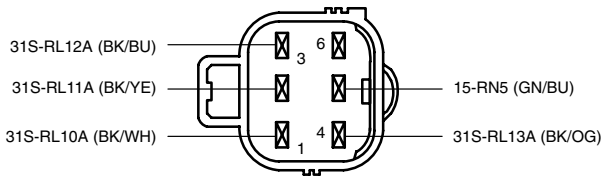
F08100



**C99**

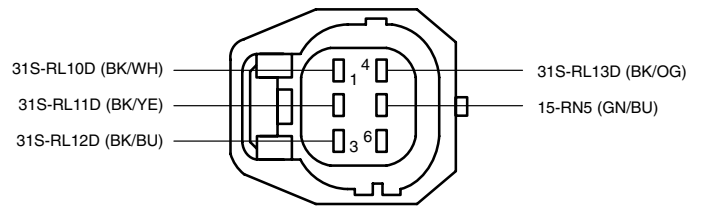
**12A522**

F06140



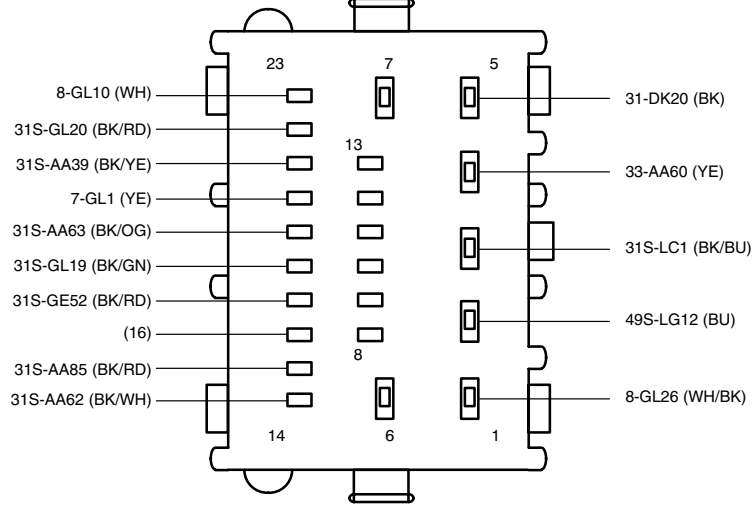
**9D930**

F06142



**C101**  
**14014**

F23007

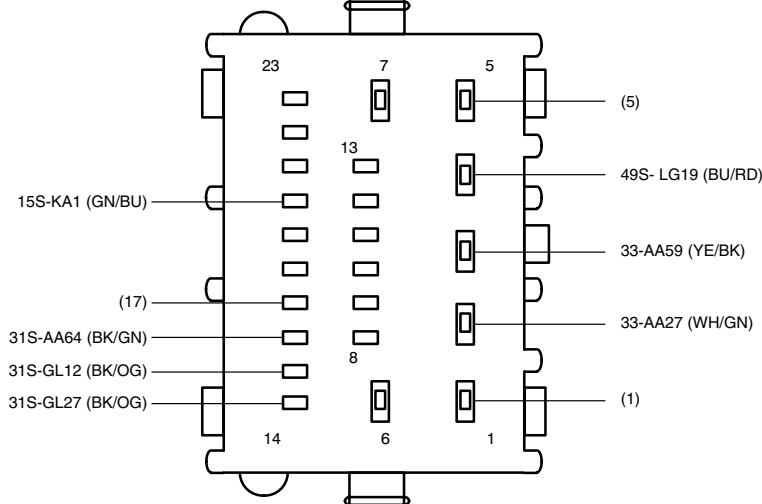


A112  
Generic Electronic  
Module (GEM)

- (16) 31S-AA61 (BK/BU)
- 31S-AA61B (BK/BU)

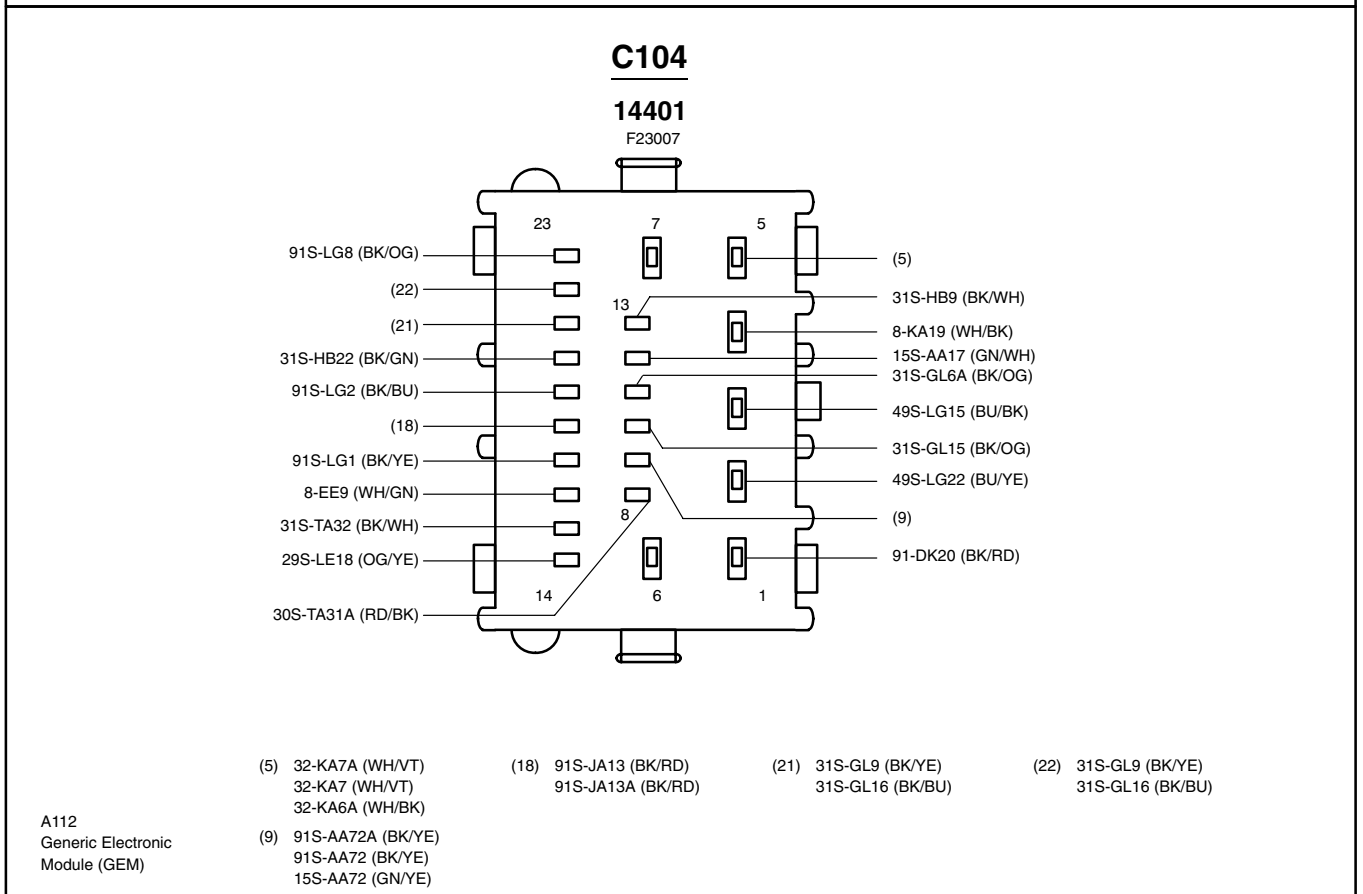
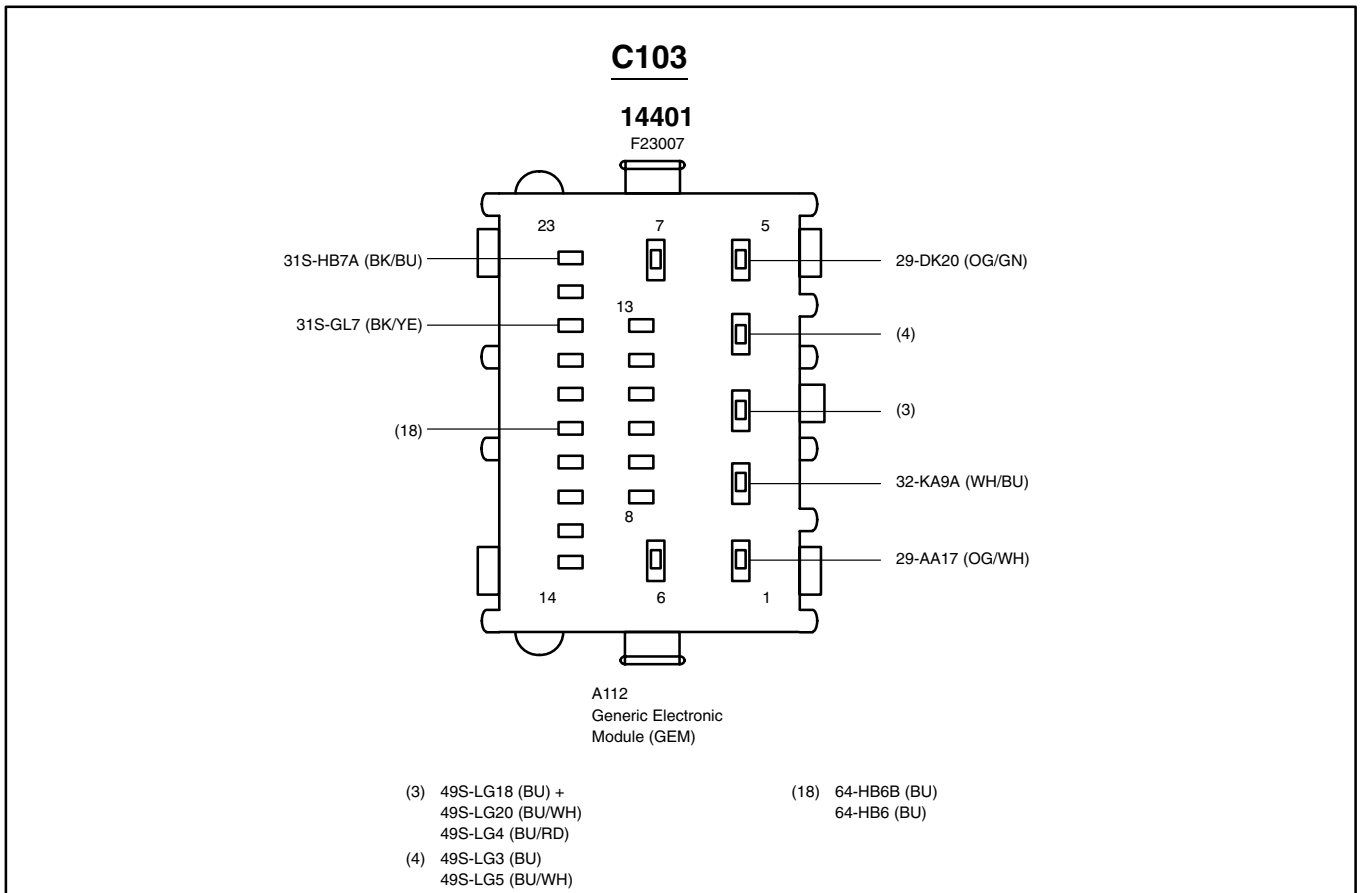
**C102**  
**14014**

F23007



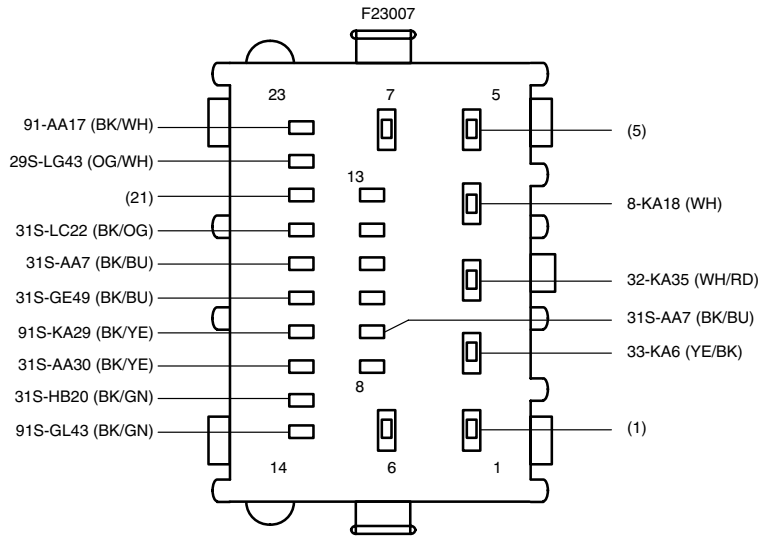
A112  
Generic Electronic Module  
(GEM)

- (1) 8-GL26 (WH/BK)  
29S-GL26 (OG/GN)
- (5) 32-AA59 (WH/BK)  
32-AA59C (WH/BK) +  
32-AA59D (WH/BK)
- (17) 8-AG12 (WH/GN)  
8-AA36 (WH)



**C105**

**14401**



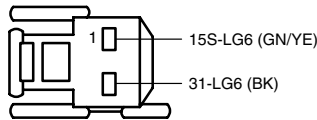
- (1) 32-AA59A (WH/BK)
- 32-AA59B (WH/BK)
- (5) 32-AA59A (WH/BK)
- 32-AA59B (WH/BK)
- 32-AA59A (WH/BK) +
- 32-AA43 (WH/VT)
- (21) 91S-KA12 (BK/WH)
- 91S-KA12A (BK/WH)

A112  
Generic Electronic  
Module (GEM)

**C107** (GY)

**14405, 14A584**

F02047



E174  
High mounted stop  
lamp

**C110**

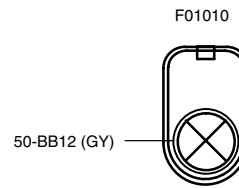
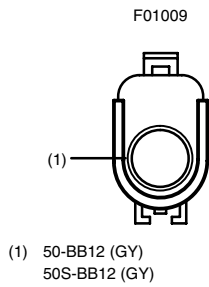
**14A280**

- (1) 30-BB10 (RD) +
- 30-BA6 (RD)
- (2) 50-BB12 (GY)

M8  
Starter motor

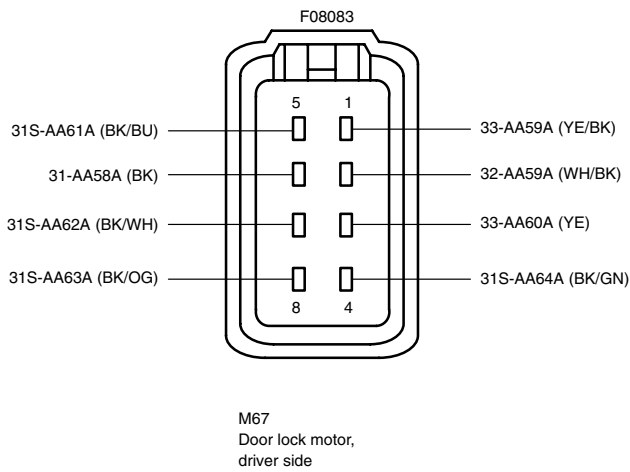
**C120**

**12A522**



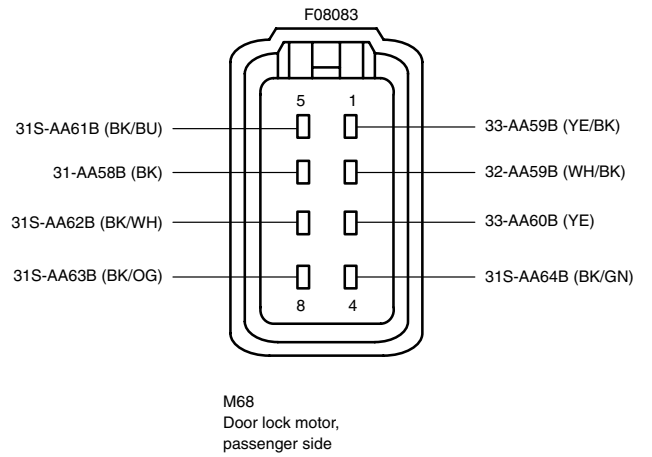
**C148**

**14A584**



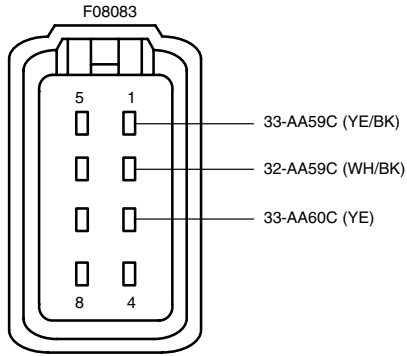
**C149**

**14A584**



**C150**

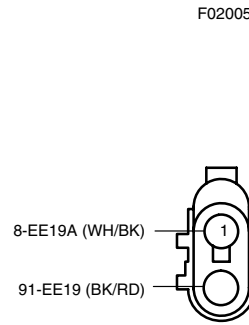
**14A584**



M78  
Door lock motor  
driver side rear

**C199**

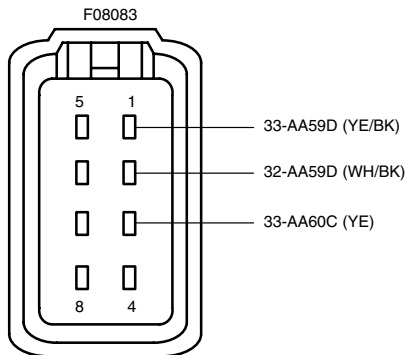
**14K733**



D47  
High intensity dis-  
charge headlamp  
diagnostic con-  
nector

**C151**

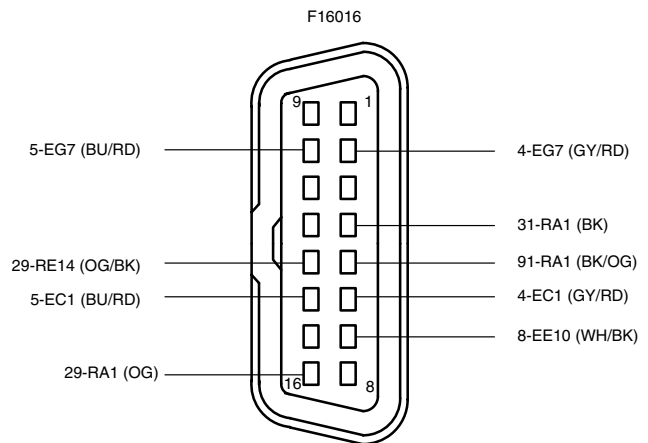
**14A584**



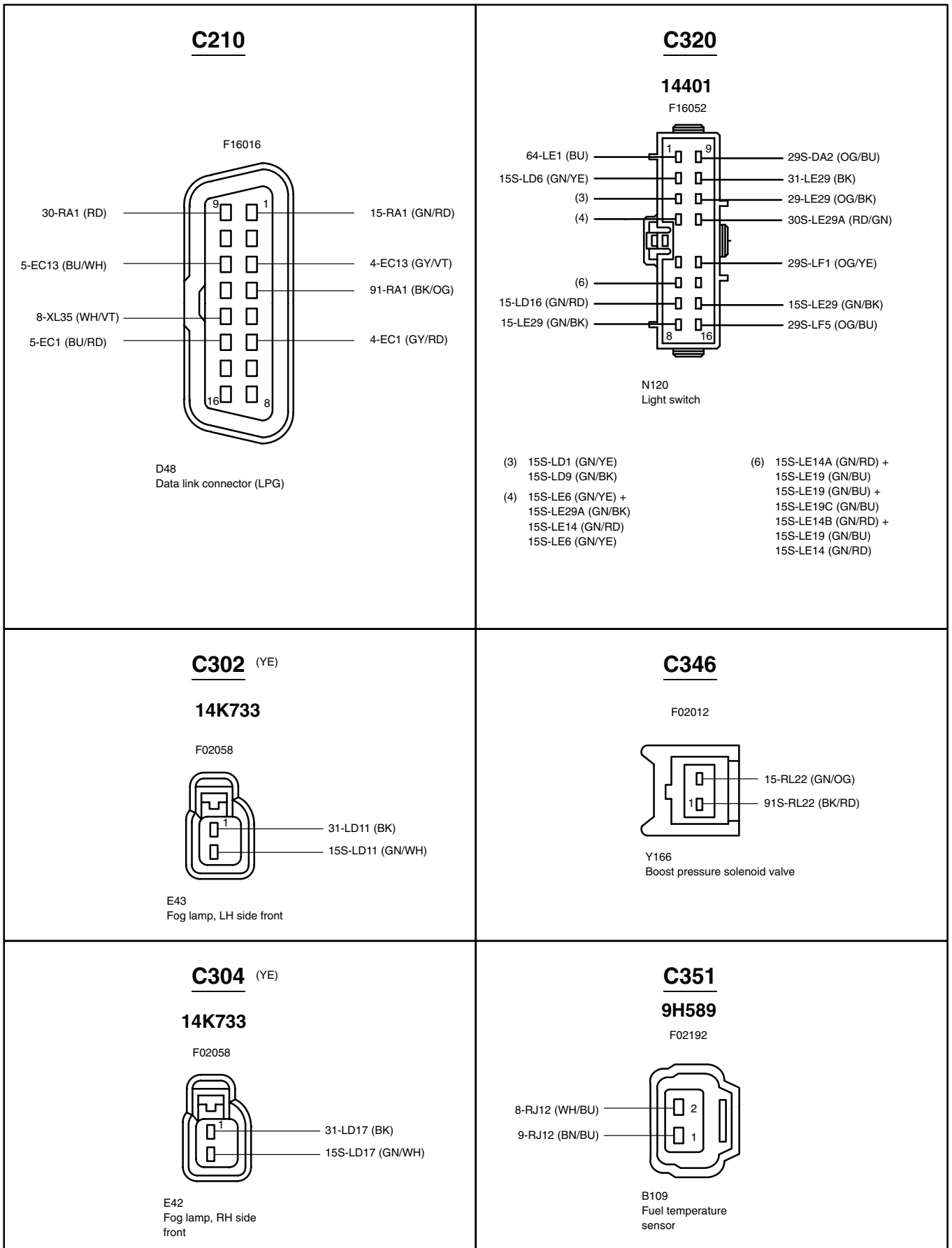
M77  
Door lock motor  
passenger side rear

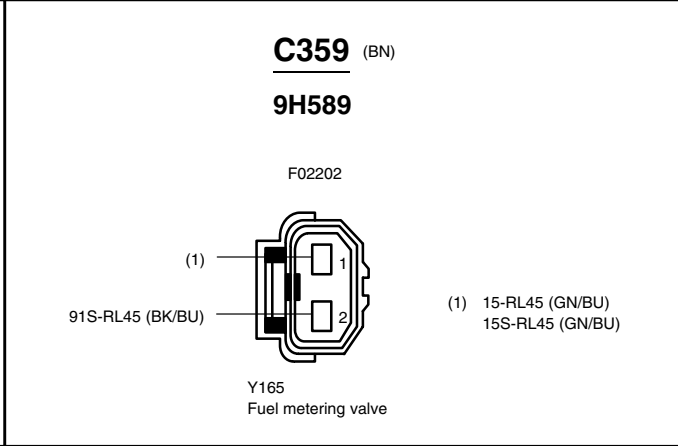
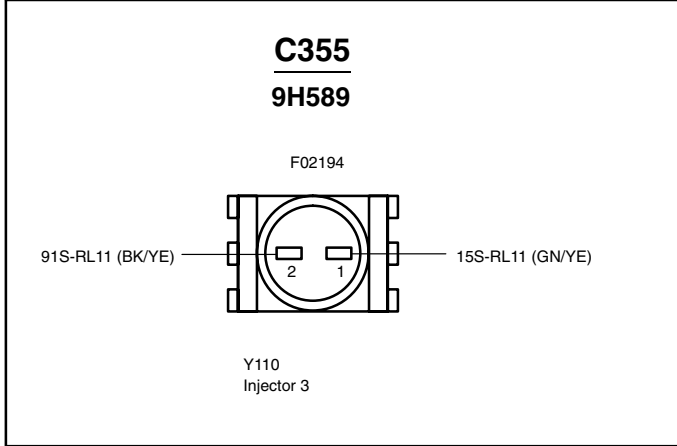
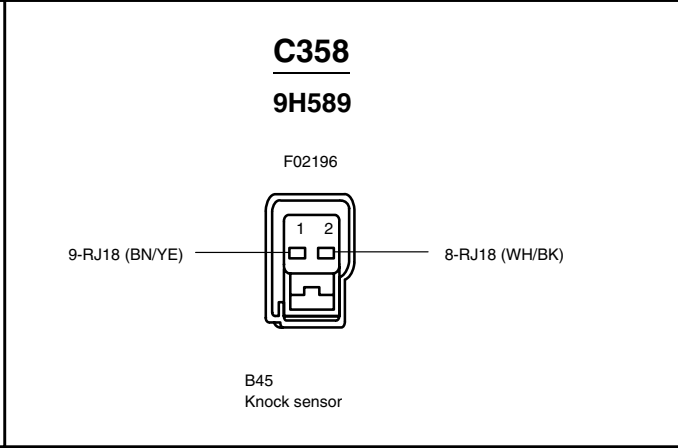
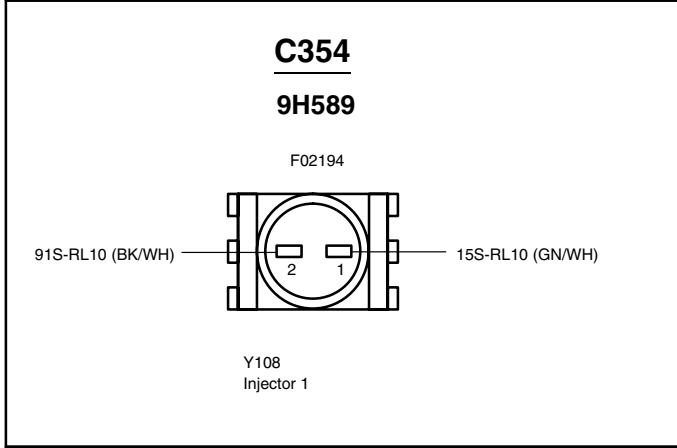
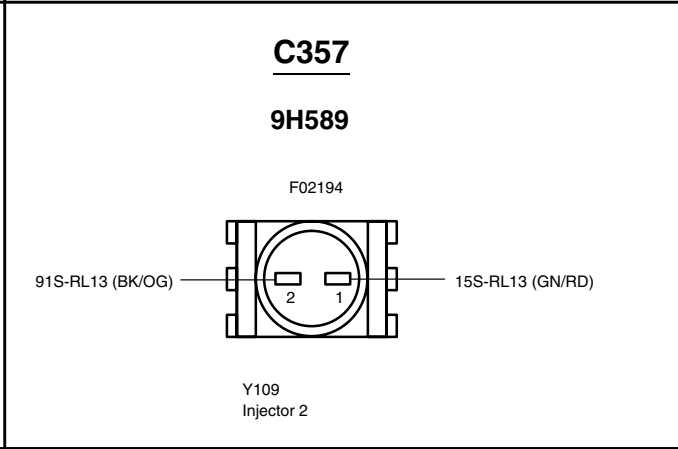
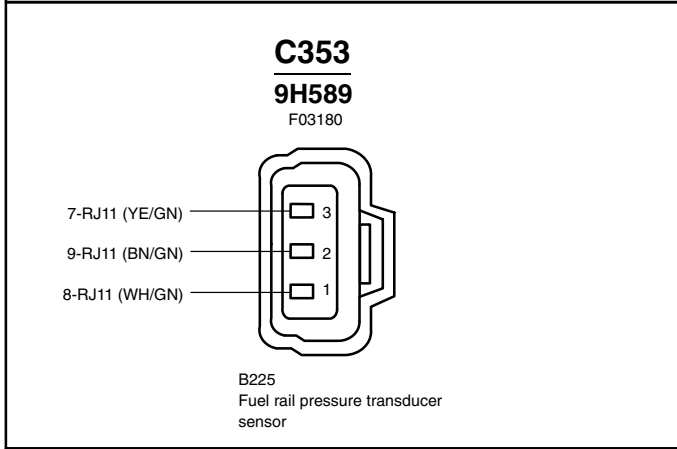
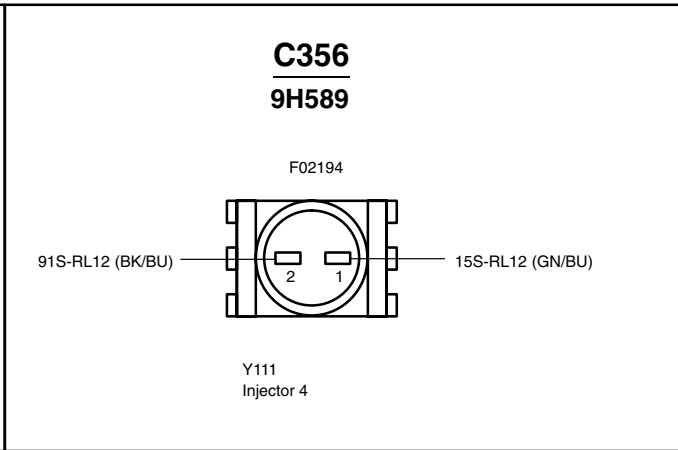
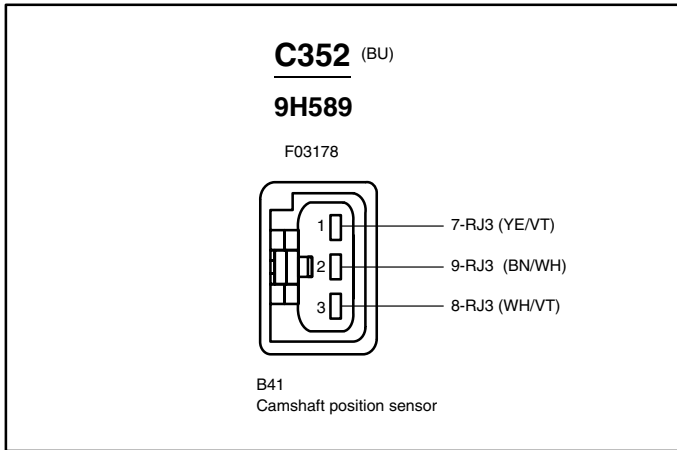
**C200**

**14401**

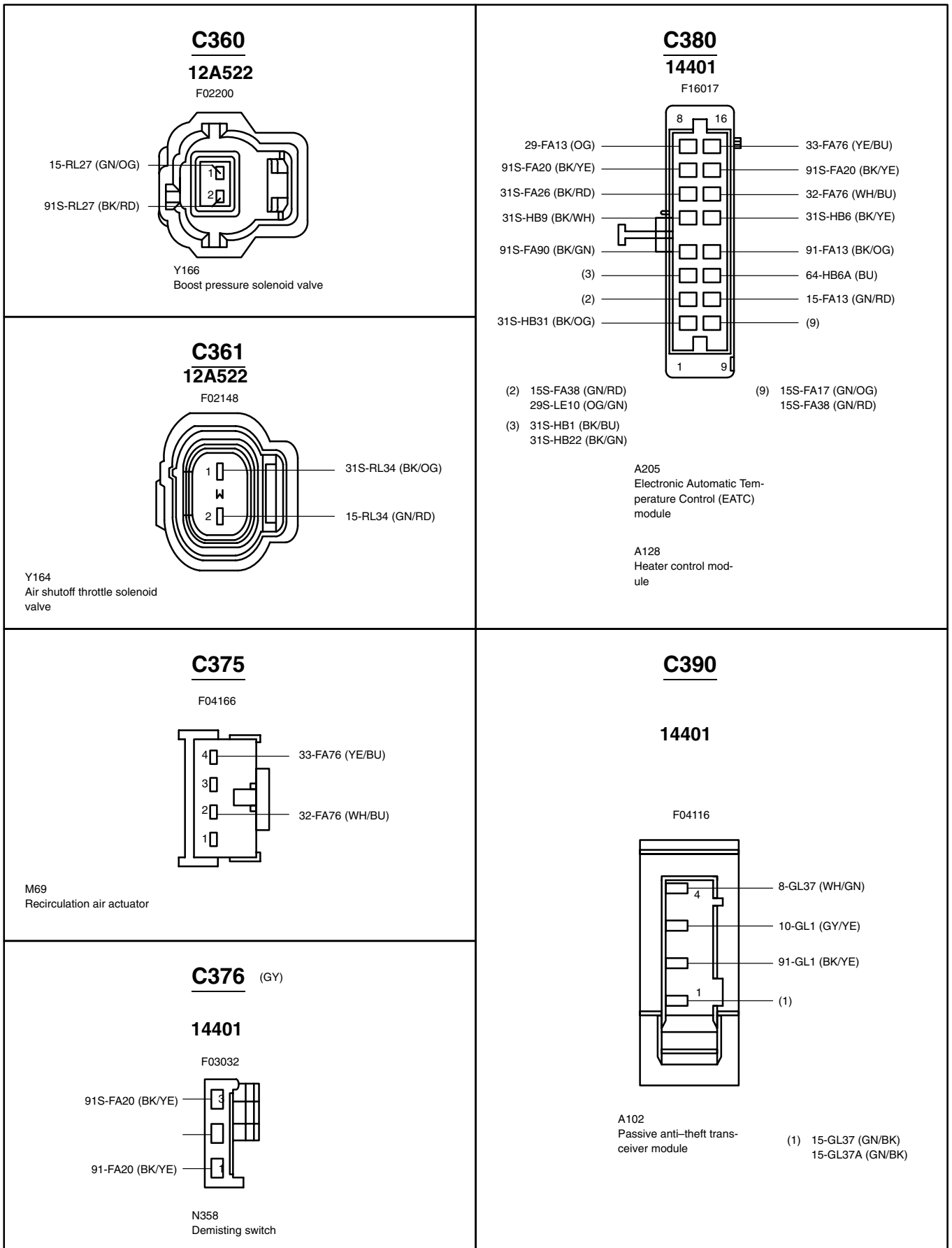


D20  
Data Link Connector (DLC)





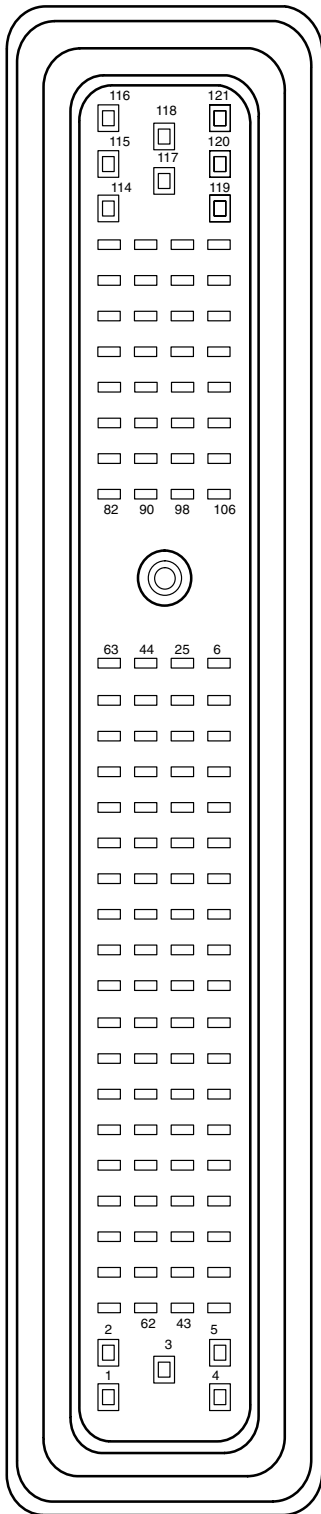




**C414** (BK)

**12A522**

F121002



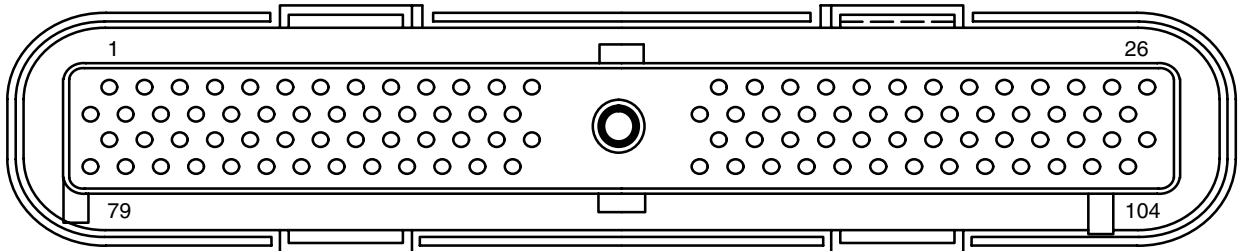
- |                       |                       |                         |
|-----------------------|-----------------------|-------------------------|
| (1) 91-RE8 (BK/YE)    | (42)                  | (82) 8-RJ4 (WH/RD)      |
| (2) 91-RE8E (BK/YE)   | (43)                  | (83)                    |
| (3) 15-RE8 (GN/YE)    | (44)                  | (84)                    |
| (4) 15-RE8A (GN/YE)   | (45) 8-RJ18 (WH/BK)   | (85)                    |
| (5) 15-RE8B (GN/YE)   | (46) 9-RJ18D (BN/YE)  | (86)                    |
| (6) 7-RJ11 (YE/GN)    | (47) 4-EB6 (GY)       | (87) 91S-RL45 (BK/BU)   |
| (7) 7-RJ37 (YE/GN)    | (48)                  | (88) 91-RE8B (BK/YE)    |
| (8) 8-RJ37 (WH/GN)    | (49)                  | (89)                    |
| (9) 31S-RH10 (BK/OG)  | (50) 8-RJ36 (WH/BU)   | (90) 9-RJ4 (BN/RD)      |
| (10)                  | (51) 7-RJ36 (YE/BU)   | (91)                    |
| (11)                  | (52)                  | (92)                    |
| (12)                  | (53) 9-RJ30 (BN)      | (93)                    |
| (13)                  | (54) 4-EC7 (GY/RD)    | (94)                    |
| (14) 9-RJ35 (BN/RD)   | (55) 4-EG9 (GY/OG)    | (95)                    |
| (15) 8-GL37 (WH/GN)   | (56)                  | (96) 31S-RL7 (BK/GN)    |
| (16) 31S-GL6 (BK/OG)  | (57)                  | (97)                    |
| (17) 8-RJ29 (WH/BU)   | (58) 15S-RN2 (GN/BU)  | (98) 9-RJ17 (BN/WH)     |
| (18) 15S-LG3A (GN/YE) | (59)                  | (99) 8-RJ20 (WH/GN)     |
| (19) 15S-RE8 (GN/YE)  | (60)                  | (100) 9-RJ20 (BN/GN)    |
| (20) 31S-RH15 (BK/YE) | (61) 31S-RH23 (BK/OG) | (101) 8-RJ33 (WH/VT)    |
| (21) 31S-BB16 (BK/RD) | (62) 31S-RH25 (BK/GN) | (102) 9-RJ33 (BN/WH)    |
| (22)                  | (63)                  | (103) 8-RJ3 (WH/VT)     |
| (23) 31S-PA19 (BK/GN) | (64) 8-BA26 (WH/BK)   | (104) 9-RJ3 (BN/WH)     |
| (24)                  | (65) 9-BA26 (BN/YE)   | (105)                   |
| (25) 8-RJ11 (WH/GN)   | (66) 91-RE8A (BK/YE)  | (106)                   |
| (26) 9-RJ11 (BN/GN)   | (67)                  | (107) 8-RJ17 (WH/VT)    |
| (27) 9-RJ37 (BN/GN)   | (68)                  | (108) 7-RJ20 (YE/GN)    |
| (28) 91-RE8C (BK/YE)  | (69)                  | (109) 8-RJ12 (WH/BU)    |
| (29)                  | (70) 9-RJ36 (BN/BU)   | (110) 9-RJ12 (BN/BU)    |
| (30)                  | (71) 8-RJ30 (WH)      | (111) 7-RJ3 (YE/VT)     |
| (31)                  | (72) 7-RJ30 (YE)      | (112) 5-EB6 (BU)        |
| (32) 8-RJ35 (WH/RD)   | (73) 5-EC7 (BU/RD)    | (113) 31S-RL34 (BK/OG)  |
| (33) 7-RJ35 (YE/RD)   | (74) 5-EG9 (BU/BK)    | (114) 91S-RL10 (BK/WH)  |
| (34) 10-GL37 (GY/OG)  | (75) 91-RJ29 (BK/OG)  | (115) 91S-RL11 (BK/YE)  |
| (35)                  | (76) 91S-PA13 (BK/BU) | (116)                   |
| (36)                  | (77)                  | (117) 15S-RL10A (GN/WH) |
| (37) 15S-RE17 (GN/BU) | (78) 8-RE22 (WH/VT)   | (118) 15S-RL12A (GN/BU) |
| (38) 91S-BB6 (BK/YE)  | (79) 31S-FA11 (BK/YE) | (119)                   |
| (39)                  | (80) 31S-PA7 (BK/BU)  | (120) 91S-RL13 (BK/OG)  |
| (40)                  | (81) 31S-PA17 (BK/WH) | (121) 91S-RL12 (BK/BU)  |
| (41)                  |                       |                         |

A147  
Powertrain control  
module (PCM)

**C415** (GY)

**12A522**

F104001



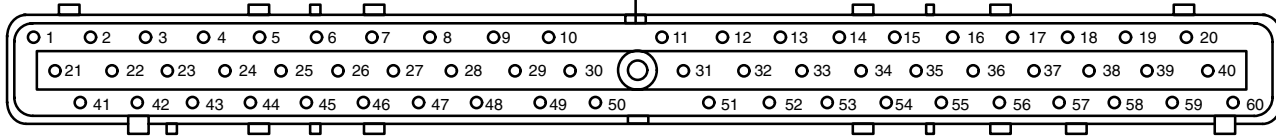
- |  |  |   |   |   |
|--|--|---|---|---|
| (1) 15S-TA24 (GN/BU)<br>31S-RH15 (BK/YE) | (23) 91-RE8E (BK/YE)                                     | (43) 8-GH9 (WH/BU)  | (62) 8-RJ1 (WH/BK)  | (83) 31S-RL9A (BK/YE)<br>31S-RL9 (BK/YE)<br>31S-RL7 (BK/GN) |
| (2)                                      | (24) 91-RE8A (BK/YE)                                     | (44) 15S-TA17 (GN/OG)                                     | (63) 8-BB6 (WH)<br>8-RJ20 (WH/GN)                             | (84)  |
| (3) 8-RJ16 (WH/RD)<br>8-RJ17 (WH/VT)     | (25) 31-RE8 (BK)   | (45) 31S-RL27 (BK/RD)                                     | (64) 15S-TA37 (GN/YE)<br>8-BB6 (WH)                           | (85) 8-RJ3 (WH/VT)<br>9-RJ3 (BN/WH)                         |
| (4) 15S-TA38A (GN/BU)<br>8-RJ30 (WH)     | (26) 31S-RR1 (BK/OG)                                     | (46) 31S-PA19 (BK/GN)                                     | (65) 8-RJ7 (WH/BU)<br>8-BA26 (WH/BK)                          | (86) 8-PA13 (WH/RD)   |
| (5) 8-RJ35 (WH/RD)                       | (27) 31S-BB16 (BK/RD)                                    | (47) 91S-PA25 (BN/GN)<br>31S-RL34 (BK/OG)                 | (66) 15S-LG3A (GN/YE)   | (87) 9-RJ18 (BN/YE)   |
| (6) 31S-PA19 (BK/GN)                     | (28) 8-RE22 (WH/VT)                                      | (48) 8-RJ15 (WH/RD)                                       | (67)  | (88) 8-RJ22 (WH/BU)   |
| (7) 15S-TA42 (GN/WH)<br>8-RJ36 (WH/BU)   | (29) 15S-TA21 (GN/BK)                                    | (49) 5-EC7 (BU/RD)<br>5-EC1 (BU/RD)                       | (68) 31S-PA7 (BK/BU)  | (89) 8-RJ28 (WH)  |
| (8) 15S-TA41 (GN/OG)<br>15-RE17 (GN/BU)  | (30)   | (50) 4-EC7 (GY/RD)<br>4-EC1 (GY/RD)                       | (69) 31S-FA11 (BK/YE)   | (90) 7-RE8 (YE)   |
| (9) 8-RJ1 (WH/BK)                        | (31) 91S-CE6 (BK/YE)<br>8-CE6 (EH)                       | (51) 91-RE8B (BK/YE)<br>9-RJ36 (BN/BU)<br>91-RJ15 (BK/BU) | (70) 31S-RL10 (BK/WH)<br>31S-RH1 (BK/GN)<br>31S-RL10A (BK/WH) | (91) 9-RE8 (BN)   |
| (10)                                     | (32) 9-RJ18 (BN/YE)<br>4-EB6 (GY)                        | (52) 31S-RR2 (BK/GN)<br>91S-RL27 (BK/RD)                  | (71) 15-RE8 (GN/YE)   | (92) 15S-RE13 (GN/RD)<br>15S-RN2 (GN/BU)                    |
| (11) 15S-TA40 (GN/BK)<br>49-XL50 (BU/WH) | (33) 9-RJ29 (BN/BU)                                      | (53) 8-GL37 (WH/GN)                                       | (72) 5-EB6 (BU)   | (93) 91S-RJ14 (BK/YE)                                       |
| (12) 91S-RS3 (BK/WH)<br>8-RS17 (WH)      | (34) 8-TA27 (WH/VT)<br>8-RJ20 (WH/GN)<br>49-GA6 (BU)     | (54) 31S-RH5 (BK/BU)<br>31S-RE32 (BK/WH)                  | (73) 15S-TA23 (GN/YE)   | (94) 8-RE22 (WH/VT)   |
| (13) 29-RE14 (OG/BK)                     | (35) 8-RJ15 (WH/RD)<br>8-RJ37 (WH/GN)                    | (55) 30-RE8 (RD)<br>30-RE8A (RD)                          | (74)  | (95) 31S-RL13 (BK/OG)<br>8-GH9 (WH/BU)                      |
| (14) 8-RJ33 (WH/VT)                      | (36) 9-RJ22 (BN/BU)                                      | (56) 31S-RL25 (BK/BU)                                     | (75) 31S-PA21 (BK/WH)   | (96) 31S-RL11 (BK/YE)<br>31S-RH10 (BK/OG)                   |
| (15) 5-EG9 (BU/BK)                       | (37) 8-TA36 (WH/GN)<br>8-RJ11 (WH/GN)<br>8-RJ17C (WH/VT) | (57) 8-RJ18 (WH/BK)<br>8-RE41 (WH)<br>8-RS16 (WH/RD)      | (76) 9-RE8A (BN)<br>8-RJ3 (WH/VT)<br>91-RE8E (BK/YE)          | (97) 15-RE8A (GN/YE)  |
| (16) 4-EG9 (GY/OG)                       | (38) 8-RJ33 (WH/VT)<br>8-RJ5 (WH)<br>8-PA23 (WH)         | (58) 8-RJ29 (WH/BU)                                       | (77) 91-RE8 (BK/YE)   | (98) 8-RJ28 (WH)  |
| (17) 31S-PA17 (BK/WH)                    | (39) 8-RJ17 (WH/VT)<br>7-RJ36 (YE/BU)                    | (59) 4-EB6 (GY)   | (78) 49-RJ3 (BU/OG)   | (99) 15S-TA64 (GN/OG)<br>91S-RL22 (BK/RD)                   |
| (18)                                     | (40) 15-RE16 (GN/BK)                                     | (60) 8-RJ14 (WH)<br>8-RJ14A (WH)                          | (79)  | (100) 91S-RJ15 (BK/BU)                                      |
| (19) 10-GL37 (GY/OG)                     | (41) 15S-RE8 (GN/YE)                                     | (61)  | (80)  | (101)   |
| (20) 31S-RL12 (BK/BU)                    | (42) 31S-GL6 (BK/OG)                                     |   | (81) 91S-TA17 (BK/RD)   | (102) 15S-TA65 (GN/WH)                                      |
| (21) 8-RJ4 (WH/RD)<br>8-RJ4A (WH/RD)     |  |   | (82) 15S-TA63 (GN/BK)   | (103) 91-RE8C (BK/YE)                                       |
| (22) 9-RJ4 (BN/RD)<br>9-RJ4A (BN/RD)     |  |   |   | (104)   |

A147  
Powertrain control  
module (PCM)

**C416** (GY)

**12A522**

F60001



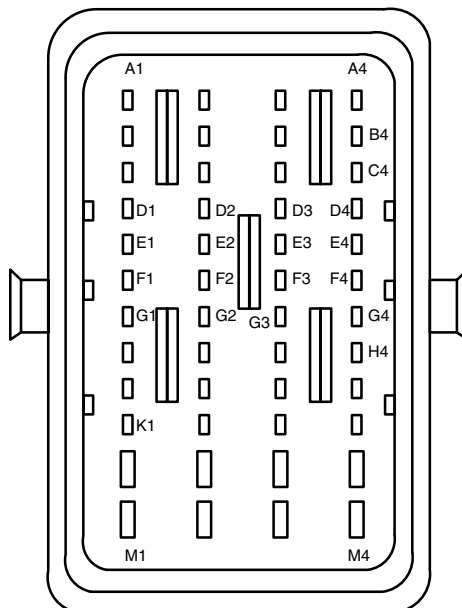
- |                       |                       |                       |                       |
|-----------------------|-----------------------|-----------------------|-----------------------|
| (1) 30-RE8 (RD)       | (16) 91-RE8 (BK/YE)   | (31) 31S-PA17 (BK/WH) | (46) 9-RE8 (BN)       |
| (2) 9-RJ18 (BN/YE)    | (17) 29-RE14 (OG/BK)  | (32) 31S-BB16 (BK/RD) | (47) 8-RJ28 (WH)      |
| (3) 8-RJ29 (WH/BU)    | (18) 5-EG9 (BU/BK)    | (33) 91S-RJ14 (BK/YE) | (48) 8-RJ15 (WH/RD)   |
| (4) 8-RE22 (WH/VT)    | (19) 4-EG9 (GY/OG)    | (34) 31S-RL12 (BK/BU) | (49) 8-RJ40 (WH/GN)   |
| (5) 8-GL37 (WH/GN)    | (20) 31-RE8 (BK)      | (35) 8-GH9 (WH/BU)    | (50) 8-RJ22 (WH/BU)   |
| (6) 8-PA13 (WH/RD)    | (21) 31S-RL9 (BK/YE)  | (36)                  | (51) 91S-RJ15 (BK/BU) |
| (7) 8-RJ33 (WH/VT)    | (22) 31S-RL25 (BK/BU) | (37) 15-RE8 (GN/YE)   | (52) 31S-PA19 (BK/GN) |
| (8) 15-RE16 (GN/BK)   | (23) 8-RJ18 (WH/BK)   | (38) 10-GL37 (GY/OG)  | (53) 31S-RH5 (BK/BU)  |
| (9) 9-RJ22 (BN/BU)    | (24) 8-RJ3 (WH/VT)    | (39) 31S-GL6 (BK/OG)  | (54) 31S-FA11 (BK/YE) |
| (10) 15S-RE8 (GN/YE)  | (25) 8-RJ17 (WH/VT)   | (40) 91-RE8A (BK/YE)  | (55) 9-RJ4 (BN/RD)    |
| (11) 91S-RL2 (BK/OG)  | (26) 7-RJ28 (YE)      | (41) 5-EB6 (BU)       | (56) 8-RJ4 (WH/RD)    |
| (12) 31S-RL10 (BK/WH) | (27)                  | (42)                  | (57) 15-RE8A (GN/YE)  |
| (13) 31S-PA7 (BK/BU)  | (28) 8-CE6 (WH)       | (43) 8-BB6 (WH)       | (58) 31S-RR1 (BK/OG)  |
| (14) 31S-RL13 (BK/OG) | (29)                  | (44) 8-RJ14 (WH)      | (59) 31S-RR2 (BK/GN)  |
| (15) 31S-RL11 (BK/YE) | (30) 9-RJ3 (BN/WH)    | (45) 4-EB6 (GY)       | (60) 91-RE8B (BK/YE)  |

A147  
Powertrain control module (PCM)

**C417**

**9H589**

F48002



- (A4) 15S-RL10 (GN/WH)
- (B4) 91S-RL10 (BK/WH)
- (C4) 15S-RL11 (GN/YE)
- (D1) 7-RJ11 (YE/GN)
- (D2) 8-RJ11 (WH/GN)
- (D3) 9-RJ11 (BN/GN)
- (D4) 91S-RL11 (BK/YE)
- (E1) 7-RJ3 (YE/VT)
- (E2) 8-RJ3 (WH/VT)
- (E3) 9-RJ3 (BN/WH)
- (E4) 15S-RL12 (GN/BU)

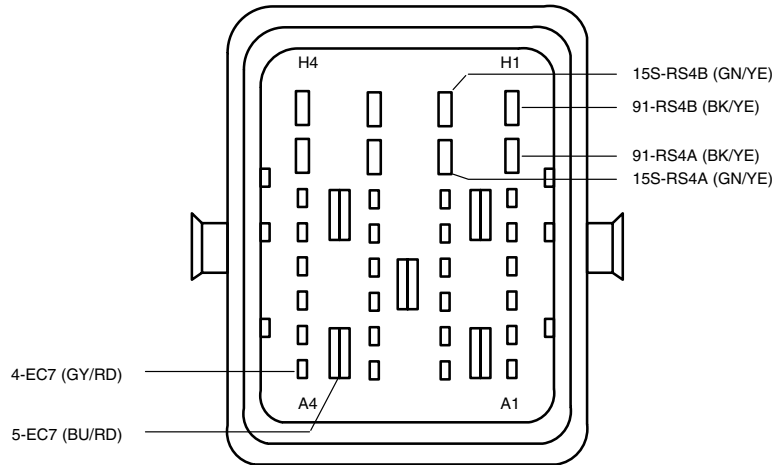
- (F1) 8-RJ18 (WH/BK)
- (F2) 9-RJ4 (BN/RD)
- (F3) 8-RJ4 (WH/RD)
- (F4) 91S-RL12 (BK/BU)
- (G1) 9-RJ18 (BN/YE)
- (G2) 8-RJ12 (WH/BU)
- (G3) 9-RJ12 (BN/BU)
- (G4) 15S-RL13 (GN/RD)
- (H4) 91S-RL13 (BK/OG)
- (K1) 91-RJ18 (BK/RD)
- (M4) 91S-RL45 (BK/BU)

A313  
Injector Driver Module (IDM)

**C418**

**12A522**

F32010

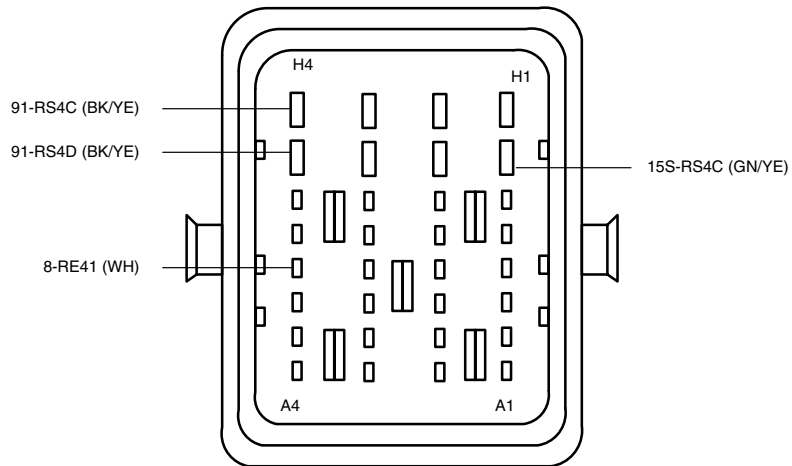


A313  
Injector Driver Module (IDM)

**C419**

**12A522**

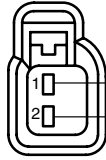
F32012



A313  
Injector Driver Mod-  
ule (IDM)

**C420**

F02058



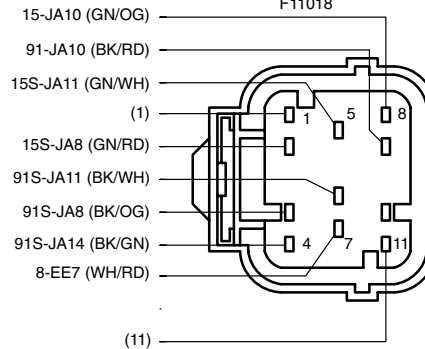
- 9-JA49 (BN)
- 8-JA49 (WH)

B229  
Forward crash sensor

**C424** (YE)

**14401**

F11018



- 15-JA10 (GN/OG)
- 91-JA10 (BK/RD)
- 15S-JA11 (GN/WH)
- (1)
- 15S-JA8 (GN/RD)
- 91S-JA11 (BK/WH)
- 91S-JA8 (BK/OG)
- 91S-JA14 (BK/GN)
- 8-EE7 (WH/RD)

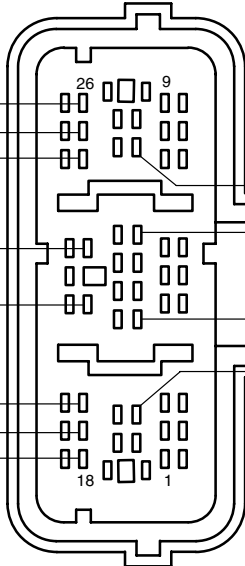
A29  
Air bag module

- (1) 91S-JA14B (BK/GN)
- (11) 91S-JA13 (BK/RD)  
91S-JA14A (BK/GN)

**C423** (YE)

**14014**

F26020



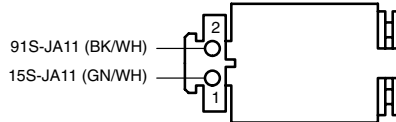
- 15S-JA40 (GN/WH)
- 91-JA40 (BK/WH)
- 91S-JA15 (BK/OG)
- 15S-JA15 (GN/RD)
- 91S-JA34 (BK/RD)
- 15S-JA34 (GN/OG)
- 91-JA39 (BK/YE)
- 15S-JA39 (GN/YE)
- 91S-JA37 (BK/GN)
- 15S-JA37 (GN/BK)
- 91S-JA33 (BK/BU)
- 15S-JA33 (GN/BU)

A29  
Air bag module

**C425** (GN)

**14401**

F02068



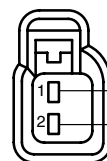
- 91S-JA11 (BK/WH)
- 15S-JA11 (GN/WH)

A43  
Passenger air bag unit

**C427**

**14014**

F02058

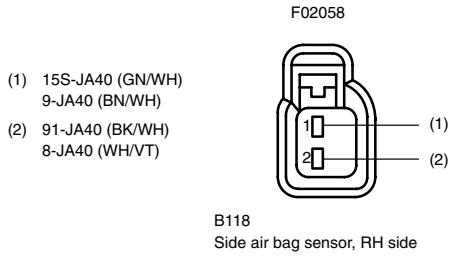


- (1) 15S-JA39 (GN/YE)  
9-JA39 (BN)
- (2) 91-JA39 (BK/YE)  
8-JA39 (WH)

B119  
Side air bag sensor, LH side

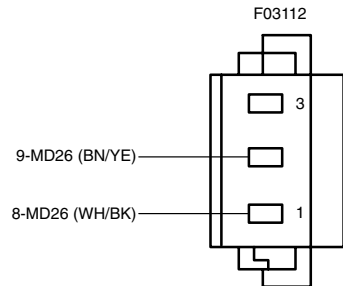
**C428**

**14014**



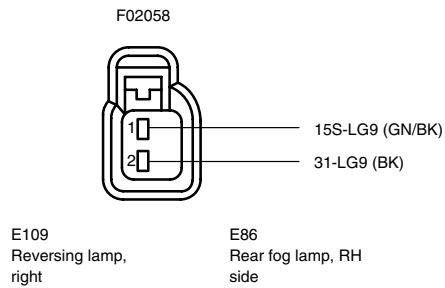
**C437**

**14401**



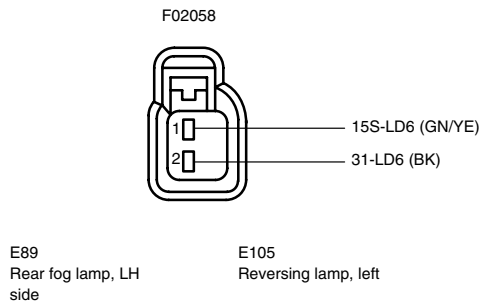
**C430**

**14405**



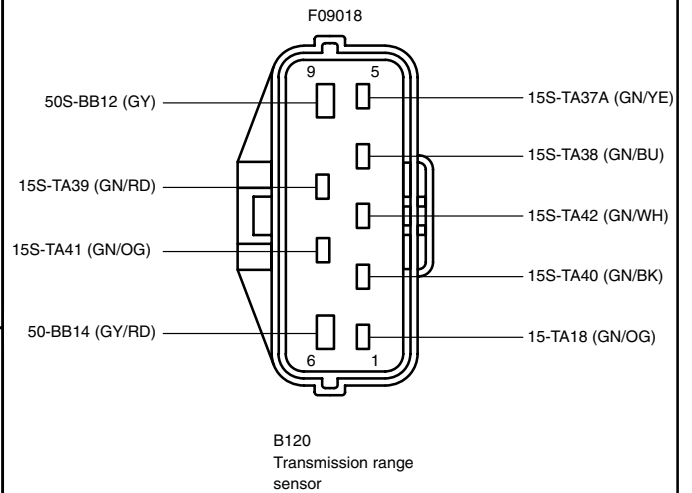
**C434**

**14405**



**C438**

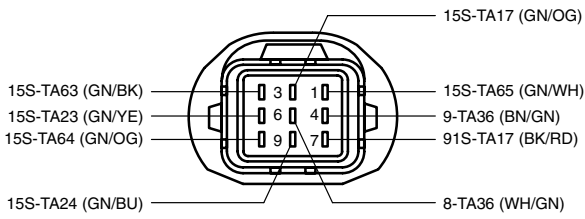
**12A690**



**C439**

**12A690**

F09020

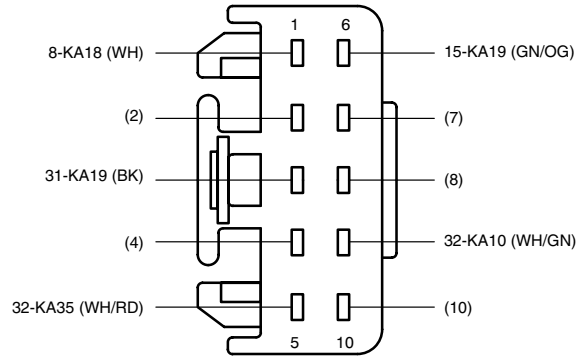


A40  
Transmission hardware unit

**C441** (GY)

**14401**

F10042



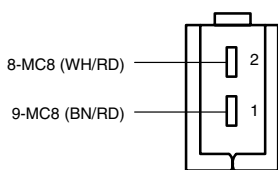
N104  
Wiper/washer switch

- (2) 32-KA6 (WH/BK)  
32-KA7 (WH/VT) +  
32-KA34 (WH/BK)
- (4) 33-KA6 (YE/BK)  
33-KA6 (YE/BK) +  
33-KA34 (YE/BK)
- (7) 32-KA19 (WH/BK)  
32-KA19A (WH/BK)
- (8) 32-KA11 (WH/BK)  
32-KA11 (WH/BK) +  
32-KA11A (WH/BK)
- (10) 8-KA19 (WH/BK)  
8-KA19 (WH/BK) +  
8-KA19A (WH/BK)

**C440**

**19A442**

F02076



A164  
Microphone

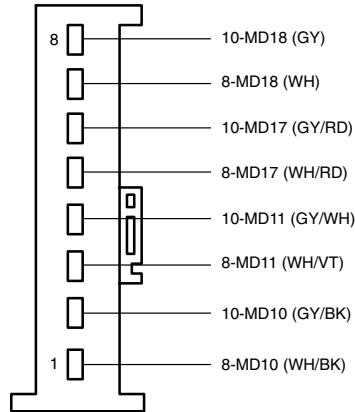


### C442

lower option content

#### 14401

F08009

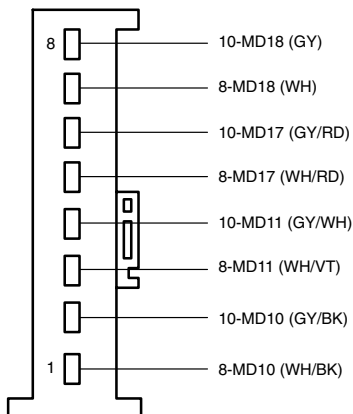


A11  
Radio

higher option content

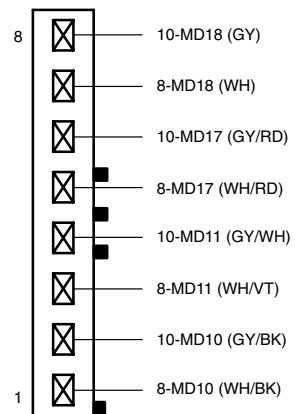
#### 14401

F08009



#### 19A442

F08042

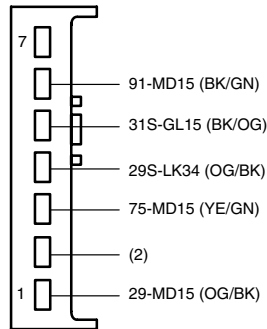


### C443

lower option content

### 14401

F07011



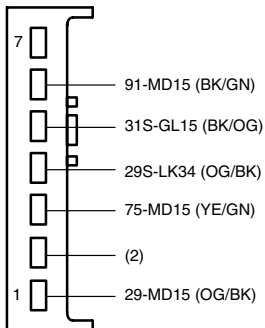
(2) 91-MD34 (BK/YE)  
91-MD34A (BK/YE)

A11  
Radio

higher option content

### 14401

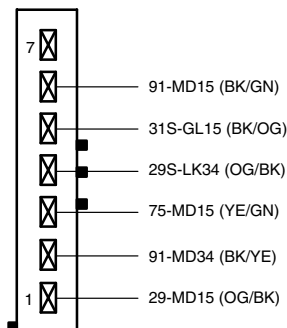
F07011



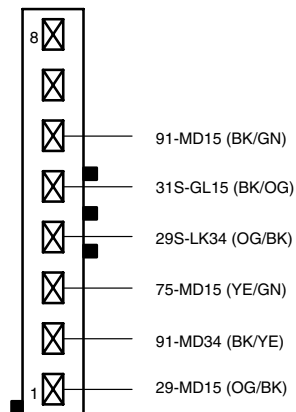
(2) 91-MD34 (BK/YE)  
91-MD34A (BK/YE)

### 19A442

F07030



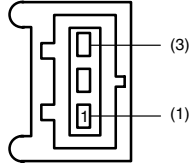
F08150



**C444**

**14401**

F03030



N318  
Stop lamp switch

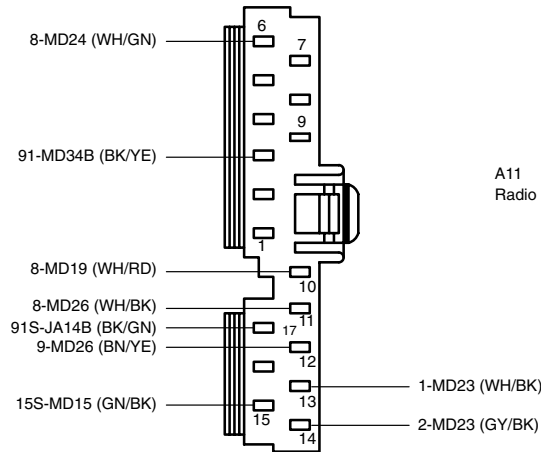
- (1) 15S-LG14B (GN/RD)  
15S-LG6 (GN/YE)
- (3) 15-LG23 (GN/WH)  
15-LG23 (GN/WH) +  
15-PG6 (GN/YE)

**C445**

lower option content

**14401**

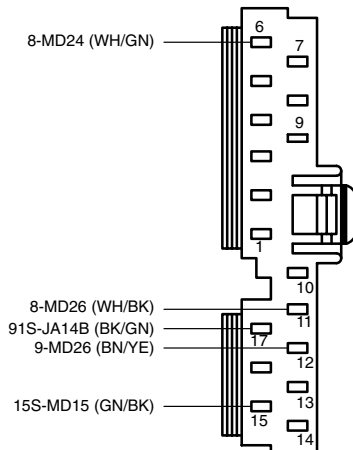
F14016



higher option content

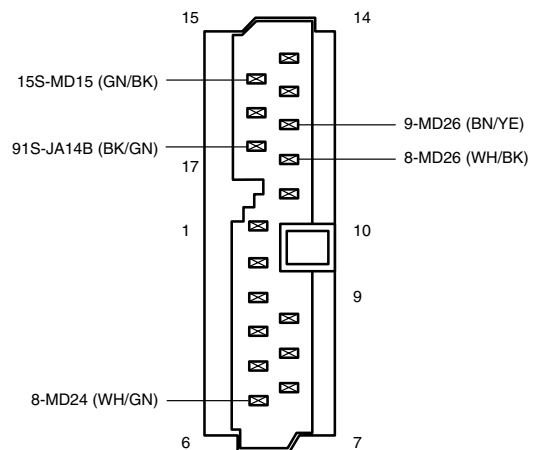
**14401**

F14016



**19A442**

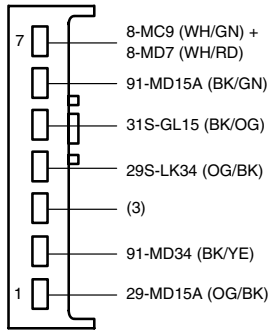
F17004



**C446**

**19A442**

F07011



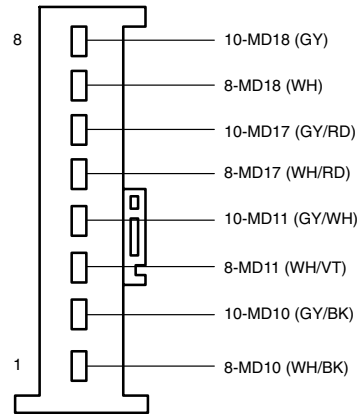
A11  
Radio

- (3) 75-MD15 (YE/GN)
- 75-MD15A (YE/GN)

**C450**

**19A442**

F08009

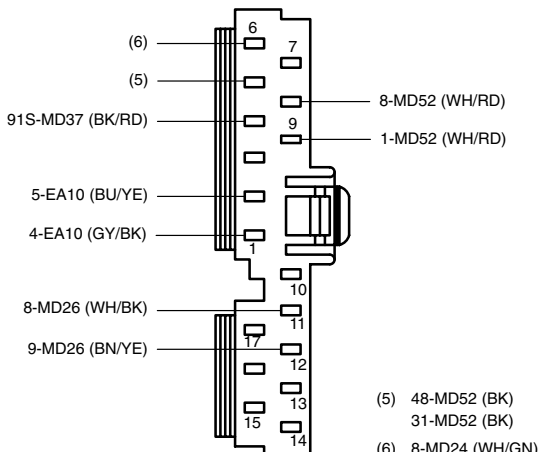


A11  
Radio

**C447**

**19A442**

F14016



A11  
Radio

- (5) 48-MD52 (BK)
- 31-MD52 (BK)
- (6) 8-MD24 (WH/GN)
- 8-MD24A (WH/GN)

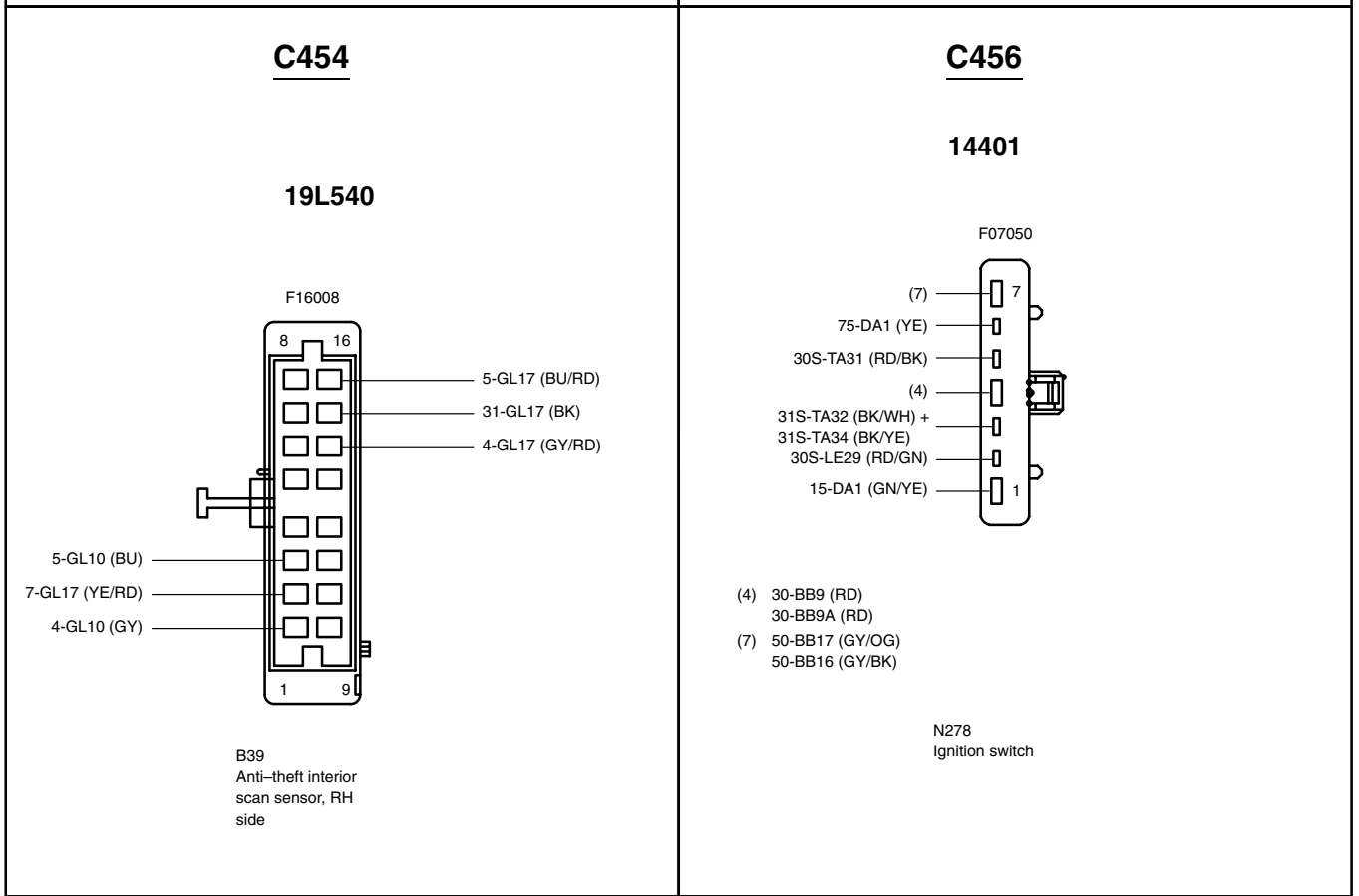
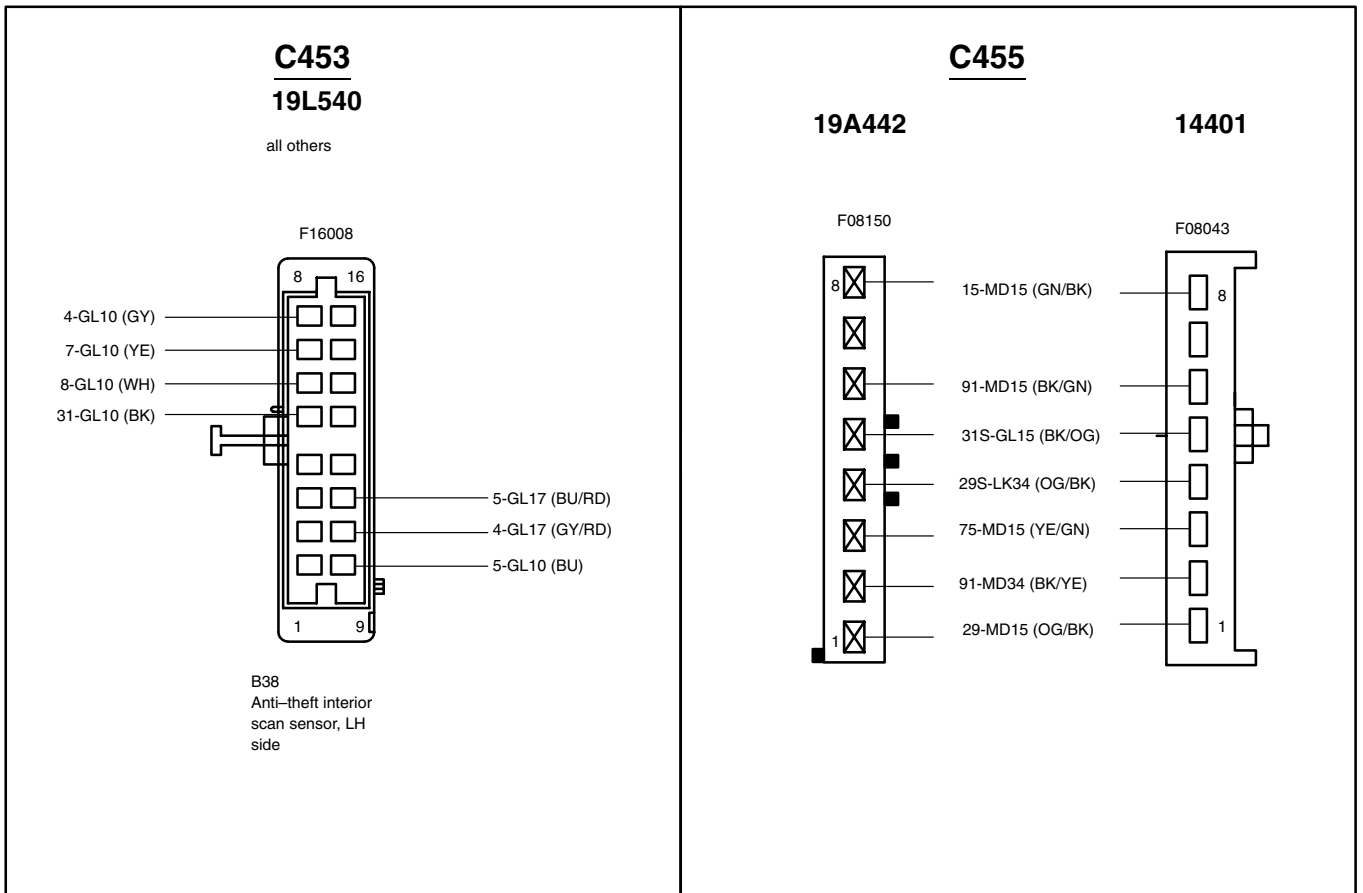
**C452**

**19L540**

More detailed information was not available at the time of publication.

- (1) 8-GL10 (WH)
- (3) 31-DA15 (BK)
- (4) 7-GL1 (YE)

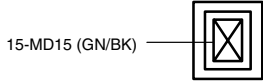
B102  
Anti-theft interior scan sensor, front



**C457** (OG)

**19A442**

F01008



**14401**

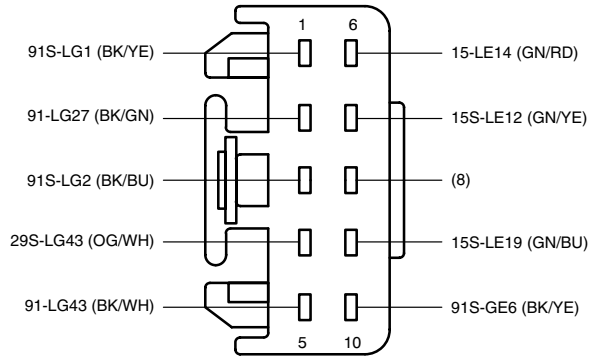
F01015



**C459** (GY)

**14401**

F10042



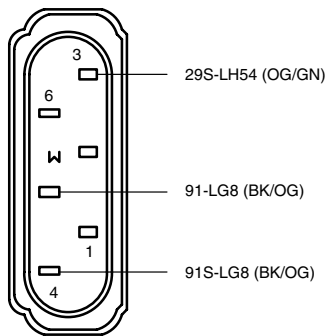
N90  
Direction indicator  
switch

(8) 15S-LE19C (GN/BU)  
15S-LE14A (GN/RD)  
15S-LE14B (GN/RD)

**C458** (BK)

**14401**

F06126

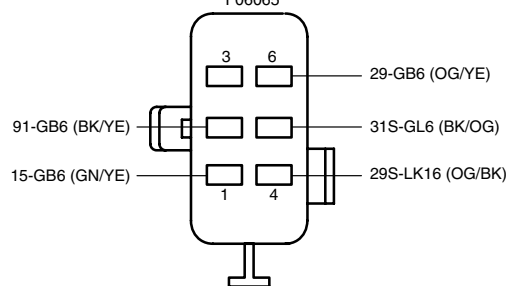


N49  
Hazard flasher  
switch

**C460**

**14401**

F06065



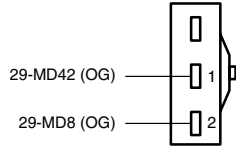
A39  
Clock



**C466**

**18K926**

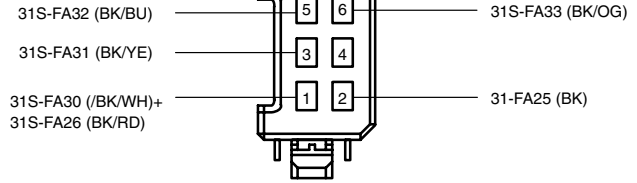
F03122



**C469**

**14401**

F06146

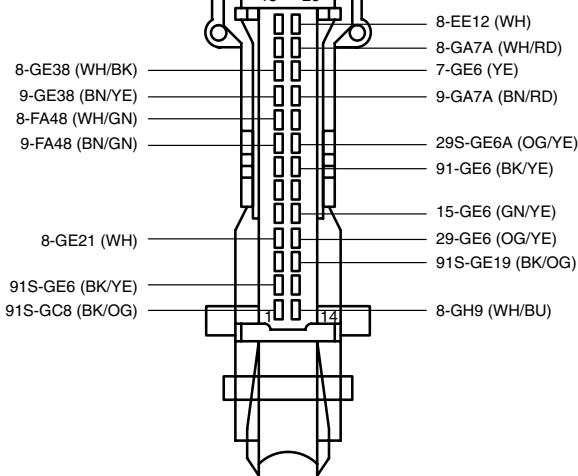


N73  
Heater blower switch

**C467**

**14401**

F26002

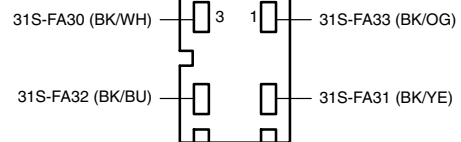


A37  
Trip computer module

**C470**

**18B604**

F04029



R21  
Heater blower series resistor

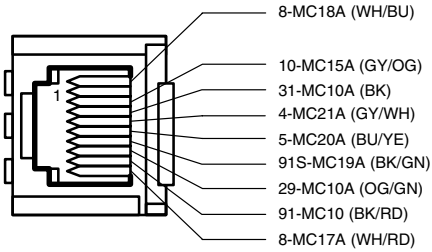


**C471**

**19A442**

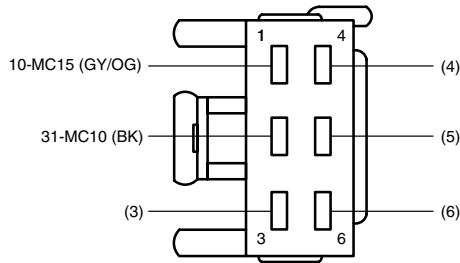
with mobile telephone

F10072



with telematics module, with Travel Pilot

F06109



A178  
Phone hand unit

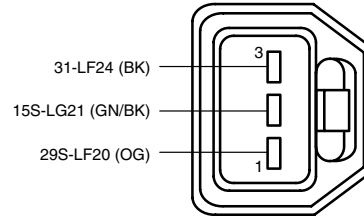
- (3) 4-MC21 (GY/WH)  
10-MC15A (GY/OG)
- (4) 5-MC20 (BU/YE)  
31-MC10A (BK)

- (5) 29-MC10 (OG/GN)  
4-MC21A (GY/WH)
- (6) 91-MC10A (BK/RD)  
5-MC20A (BU/YE)

**C473**

**14014, 14405**

F03094

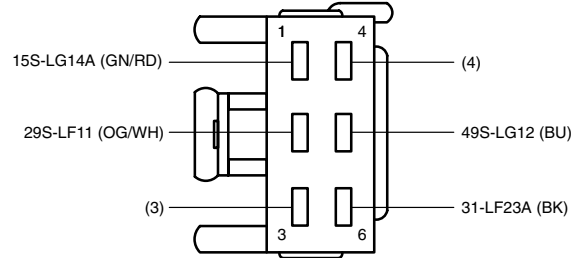


E10  
Rear lamp assembly, RH side

**C474** (GY)

**14405**

F06109



E9  
Rear lamp assembly, LH side

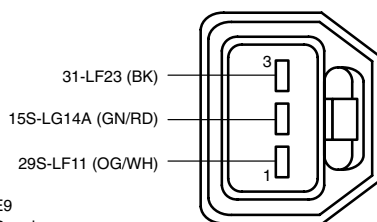
- (3) 31-LF23 (BK)  
31-LF23A (BK)

- (4) 15S-LD6 (GN/YE)  
15S-LG9 (GN/BK)

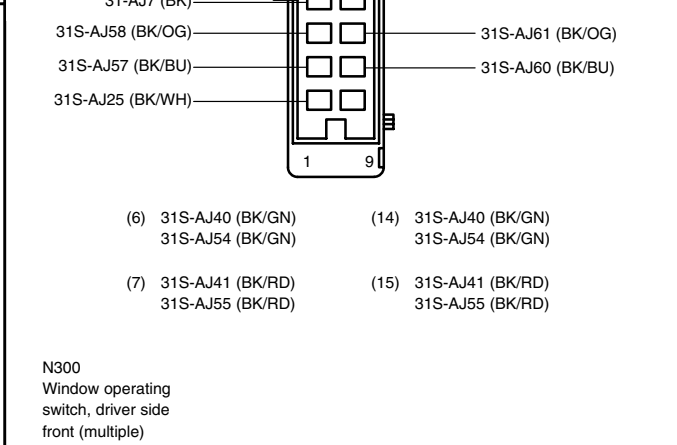
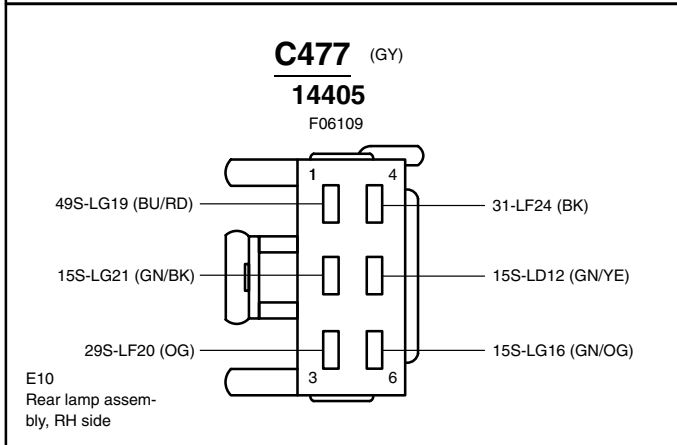
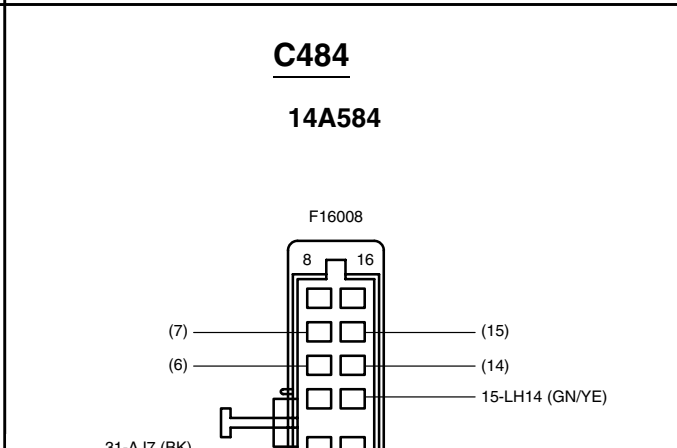
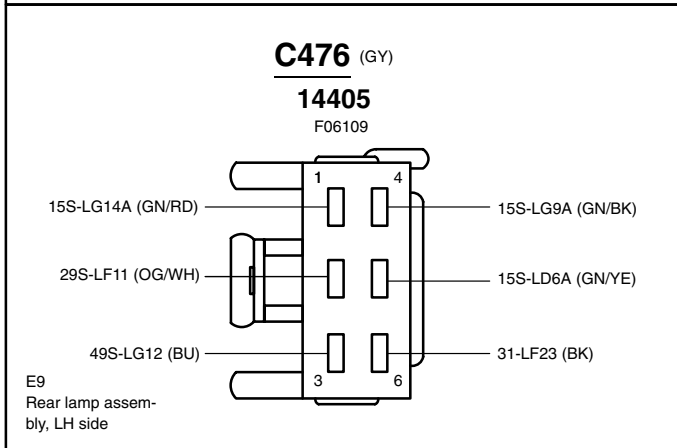
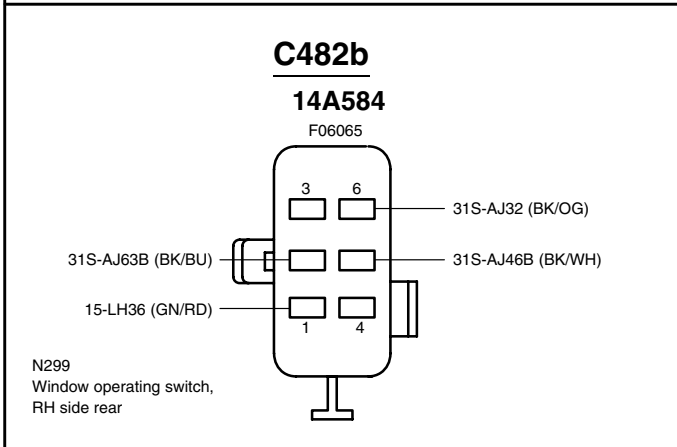
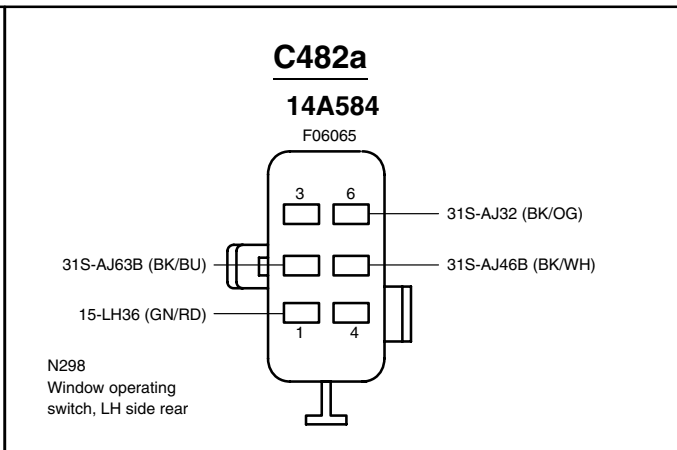
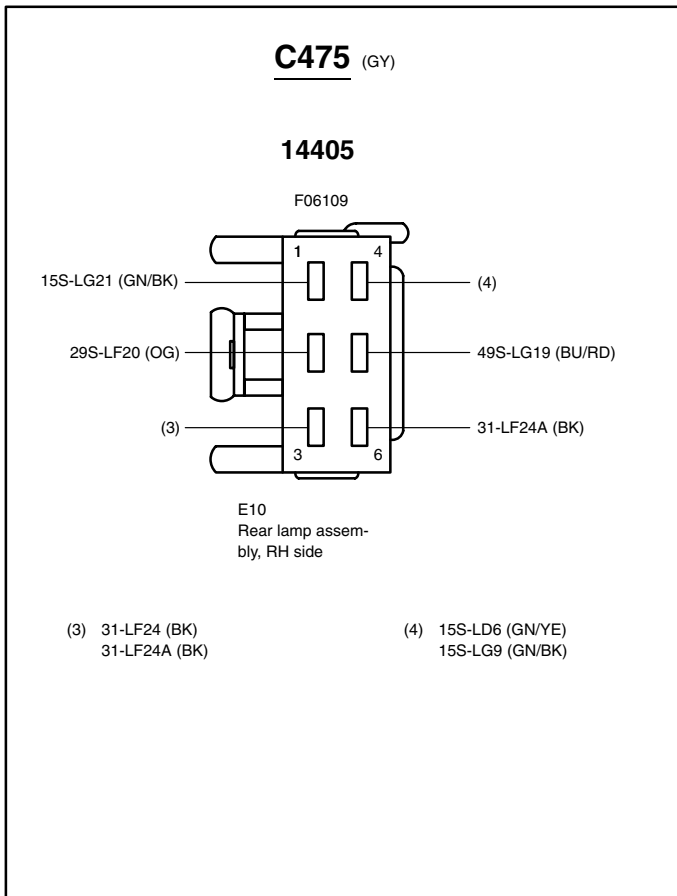
**C472**

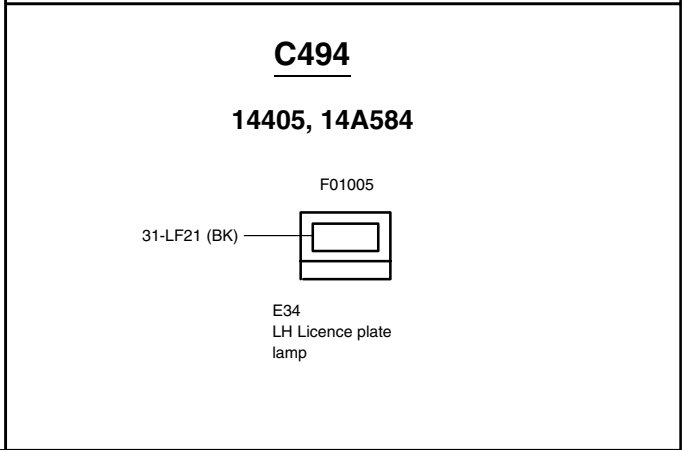
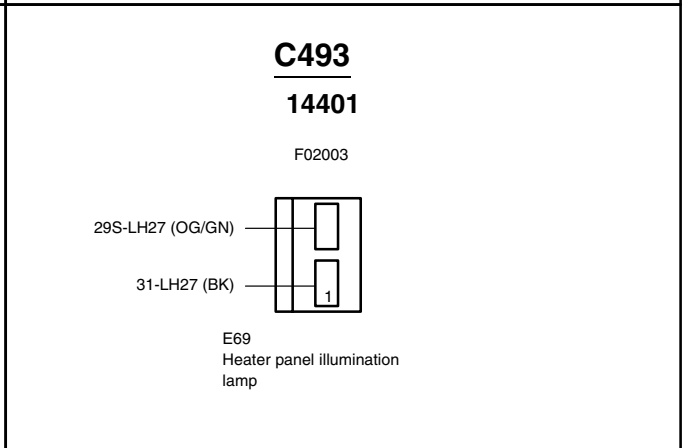
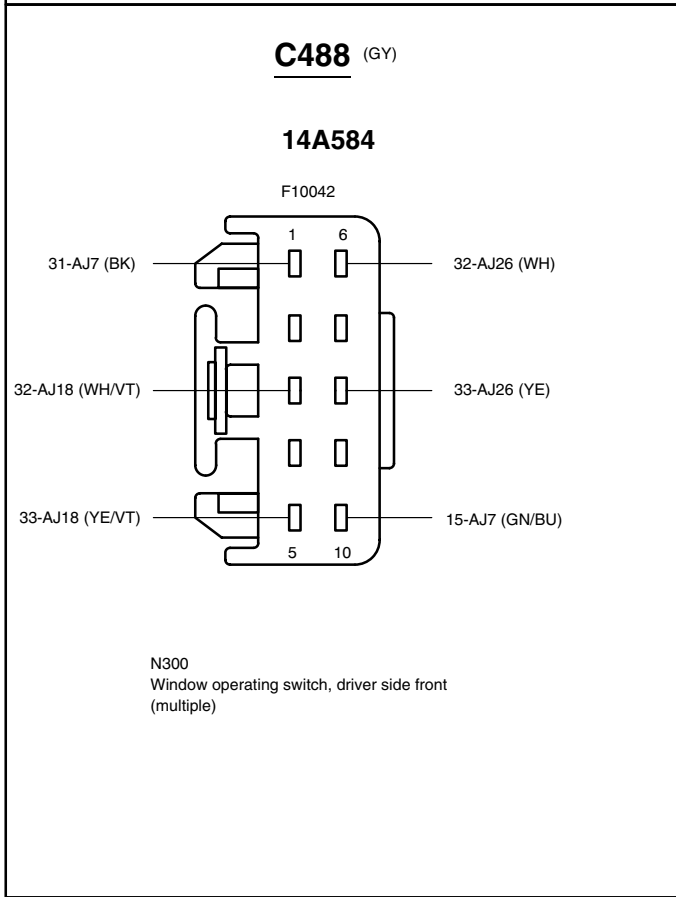
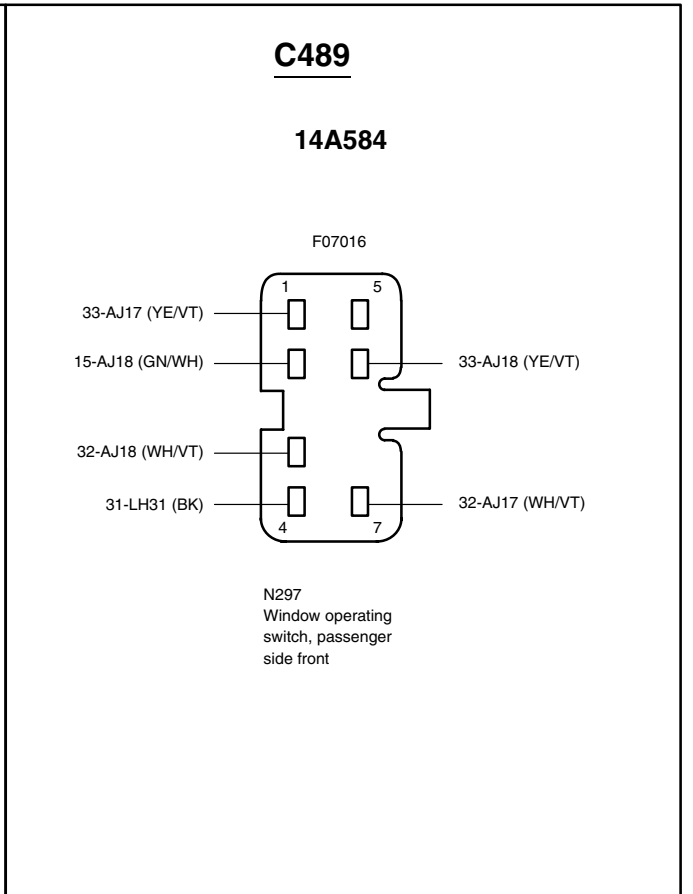
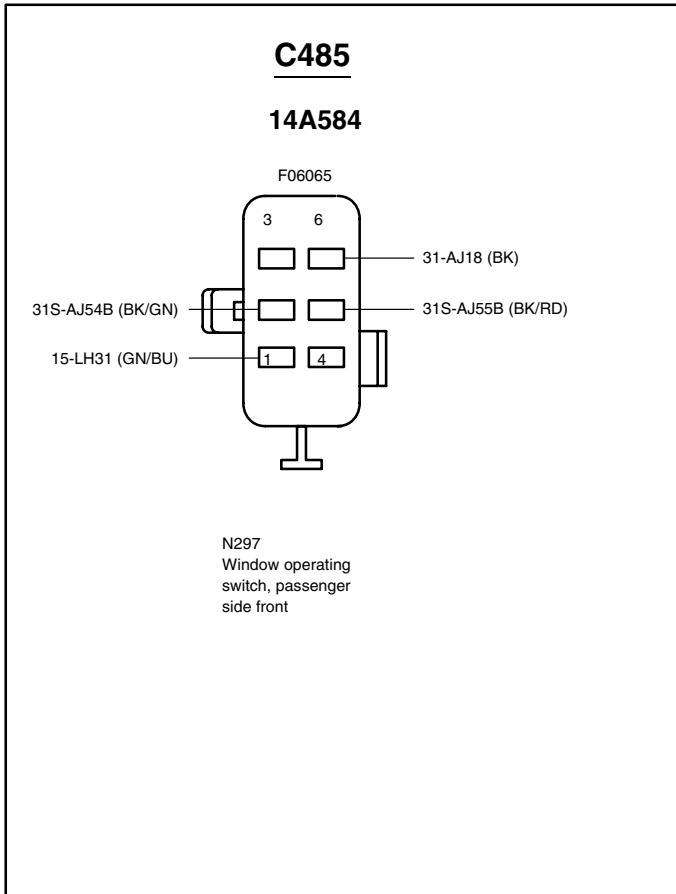
**14014, 14405**

F03094



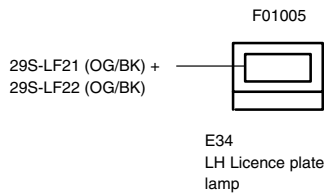
E9  
Rear lamp assembly, LH side





**C495**

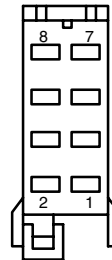
**14405, 14A584**



**C505**

**19A442**

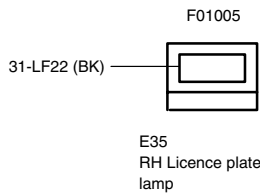
F08094



- |   |   |
|---|---|
| (1) 8-MD24 (WH/GN)<br>8-MD24A (WH/GN)   | (5) 15-MD7 (GN/BU)<br>15S-MD7 (GN/BU)   |
| (2)                                     | (6) 29S-LK34 (OG/BK)                    |
| (3) 15S-MD15 (GN/BK)                    | (7) 75-MD15 (YE/GN)                     |
| (4) 29-MD15 (OG/BK)<br>29-MD15A (OG/BK) | (8) 91-MD15 (BK/GN)<br>91-MD15A (BK/GN) |

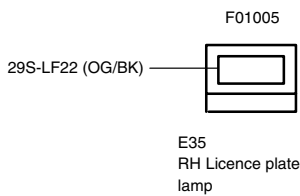
**C496**

**14405, 14A584**



**C497**

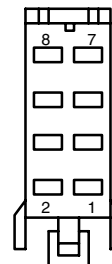
**14405, 14A584**



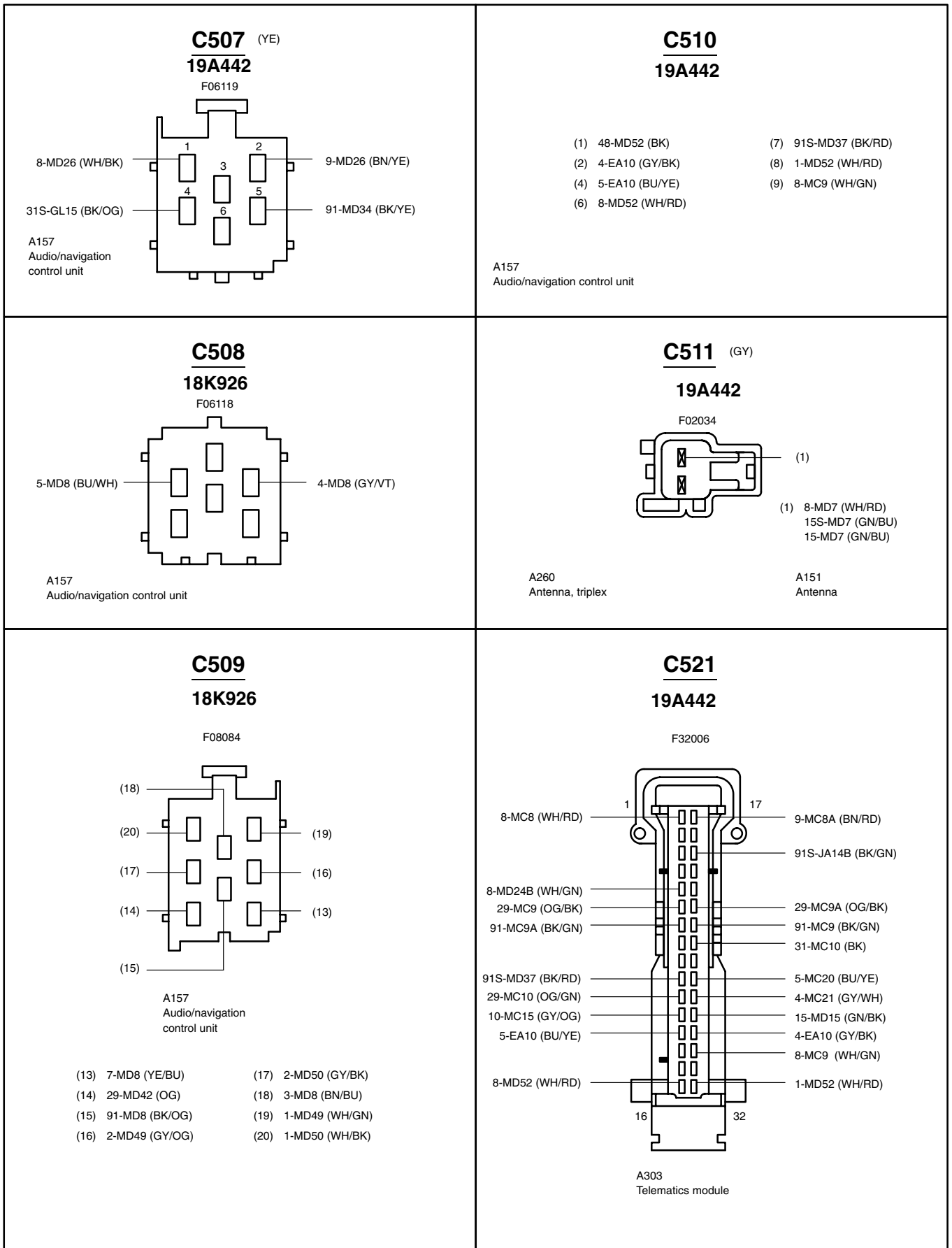
**C506**

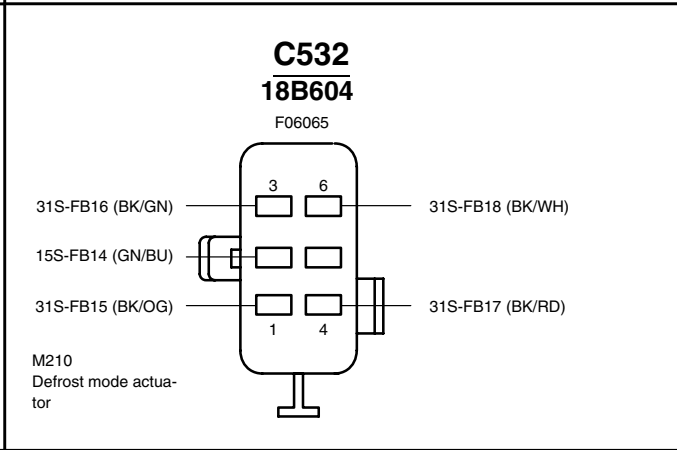
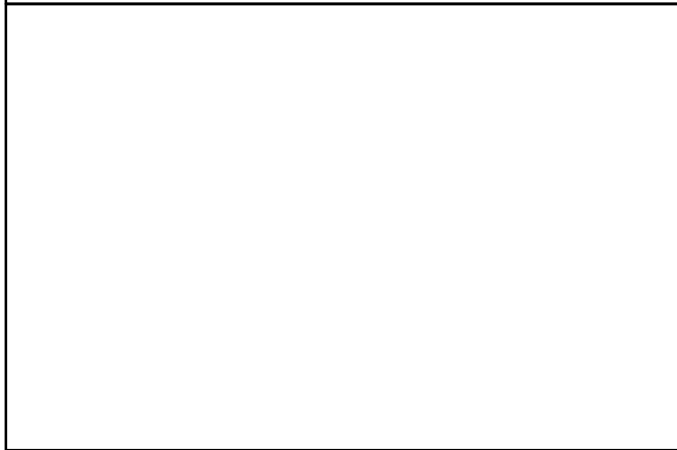
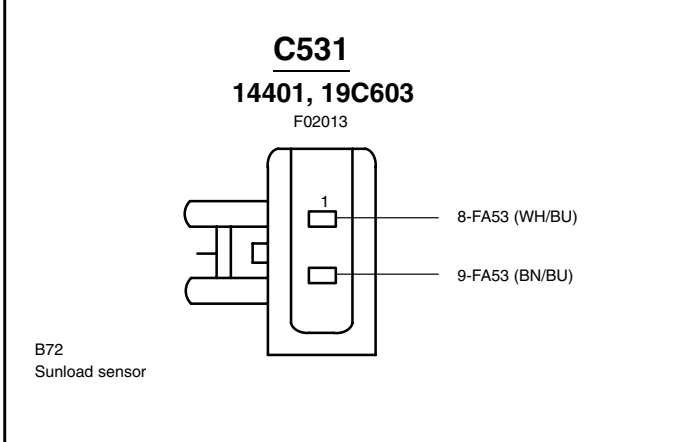
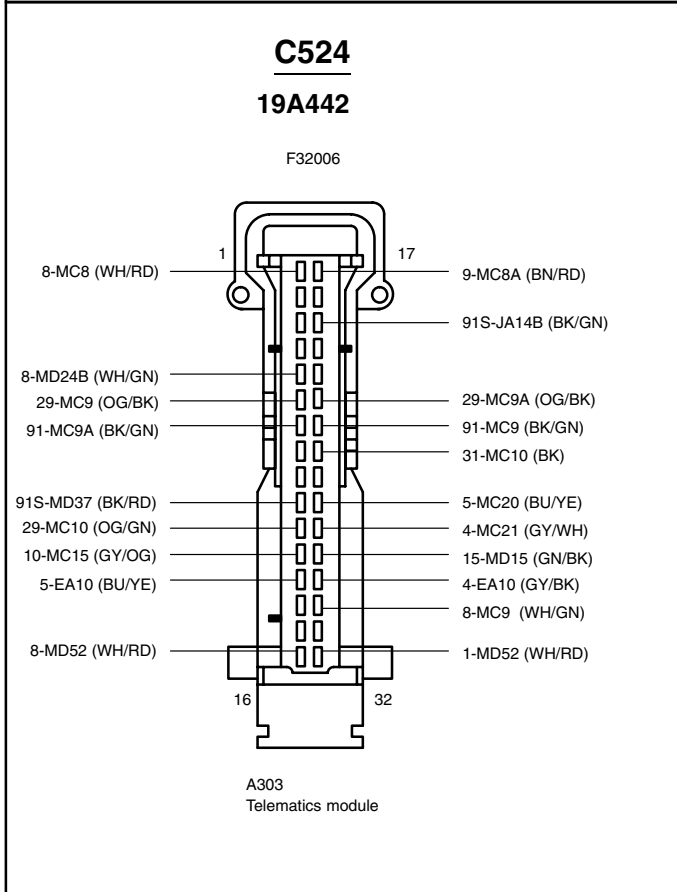
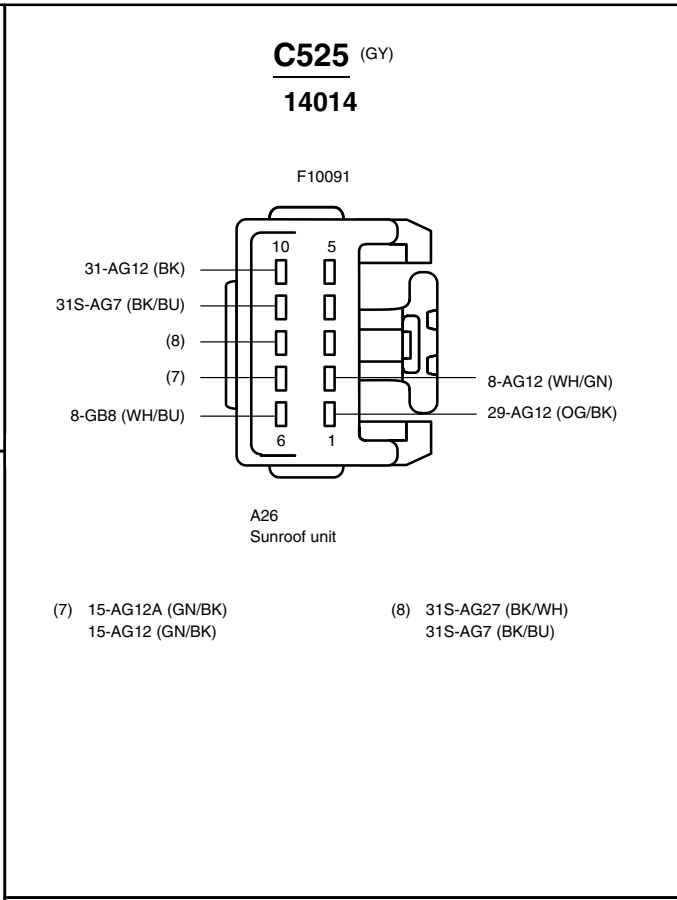
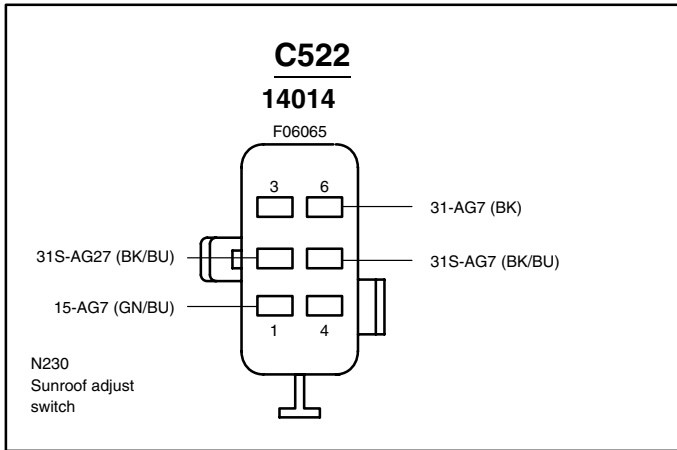
**19A442**

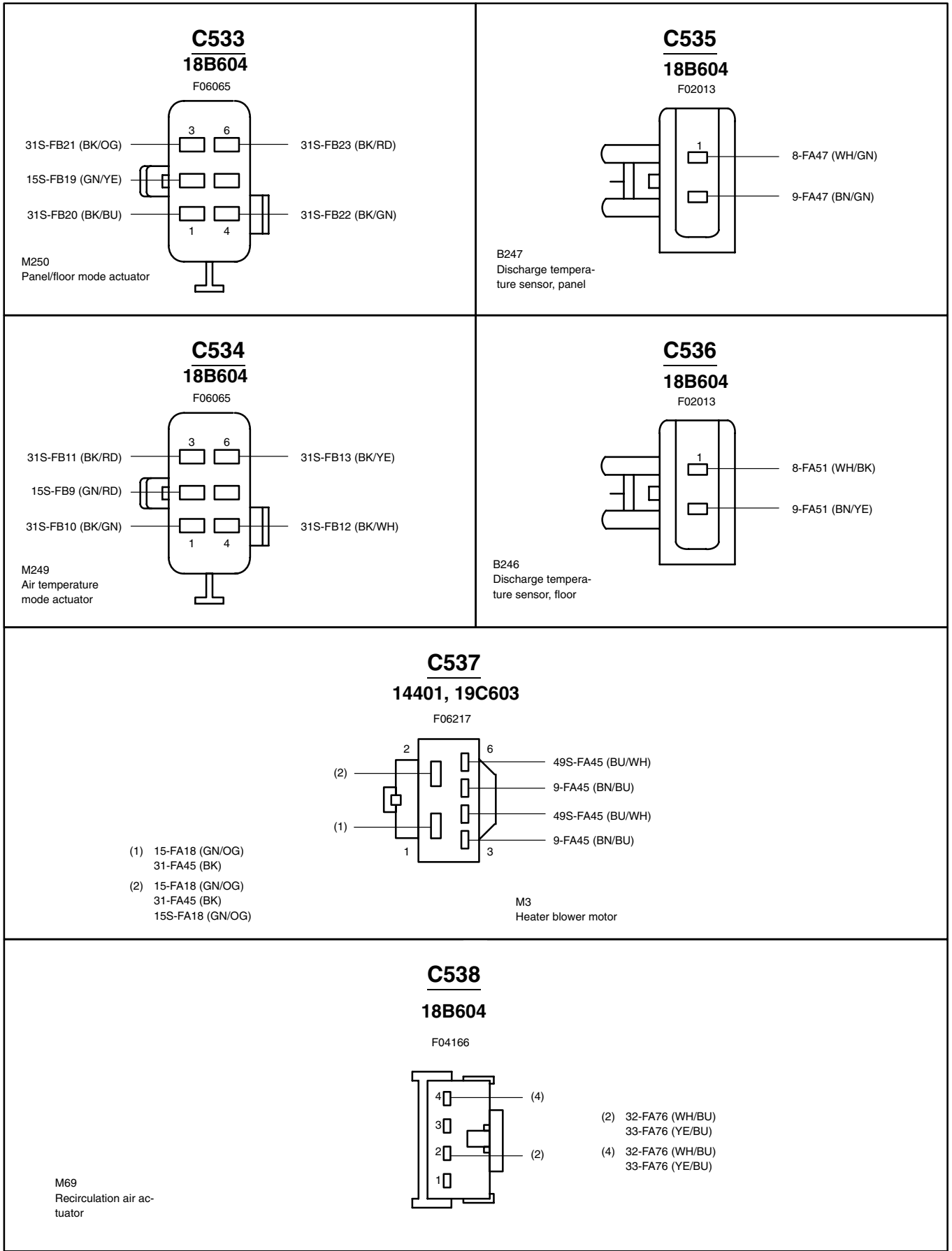
F08095



- |                                      |                     |
|--------------------------------------|---------------------|
| (1) 8-MD18 (WH)                      | (5) 8-MD10 (WH/BK)  |
| (2) 10-MD18 (GY)                     | (6) 10-MD10 (GY/BK) |
| (3) 8-MD17 (WH/RD)<br>8-MD11 (WH/VT) | (7) 8-MD11 (WH/VT)  |
| (4) 10-MD17 (GY/RD)                  | (8) 10-MD11 (GY/WH) |



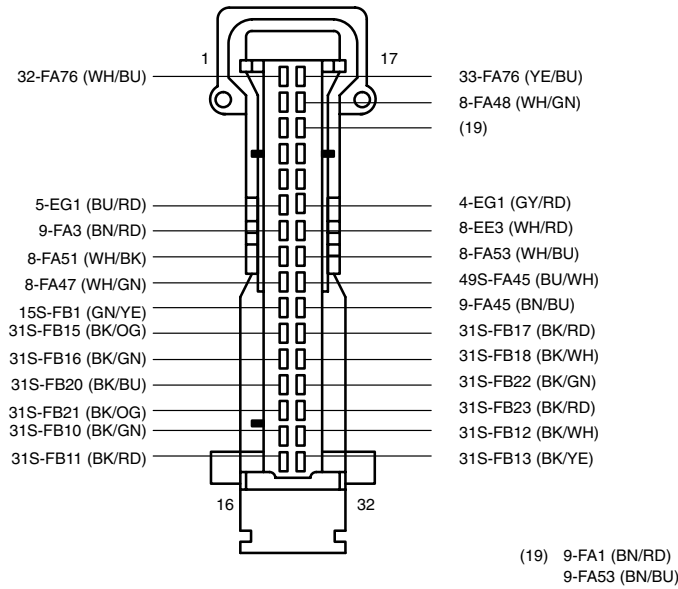




**C539**

**14401, 19C603**

F32006

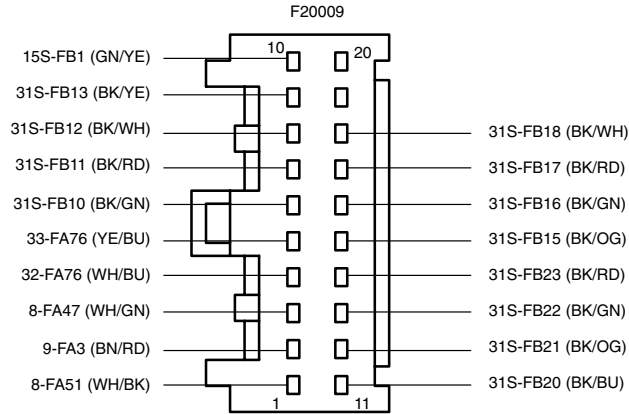


A205  
Electronic Automatic Temperature Control  
(EATC) module

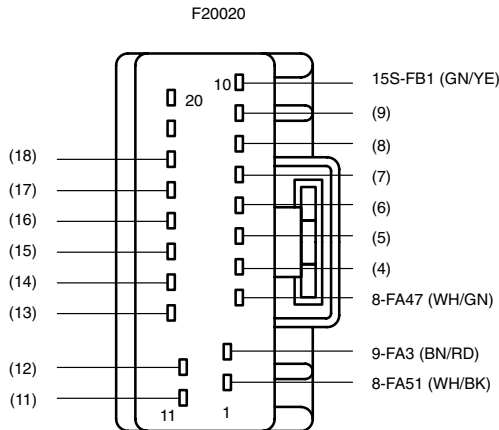


**C541**

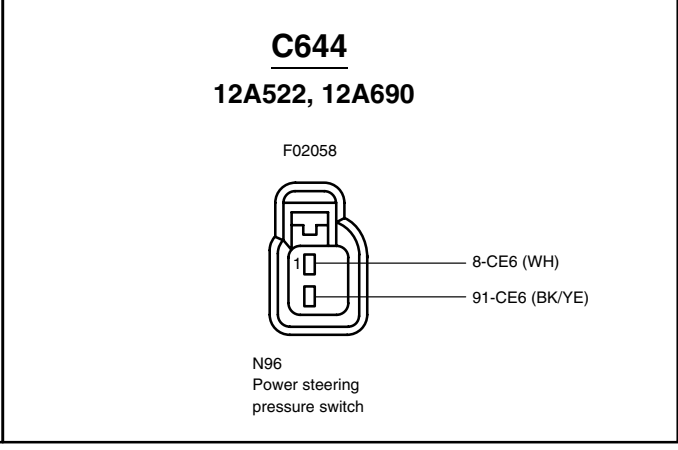
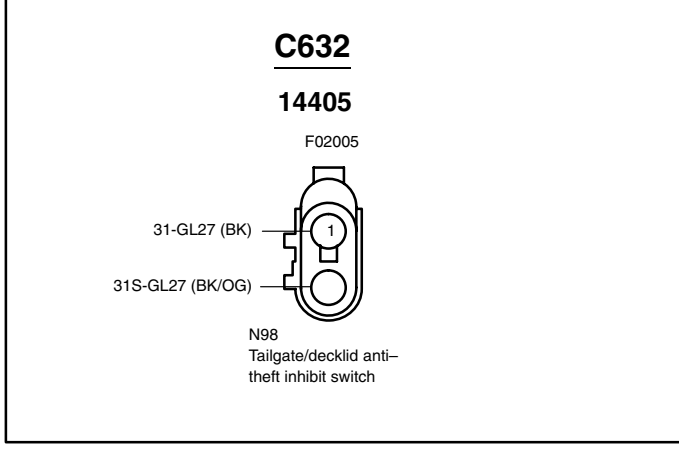
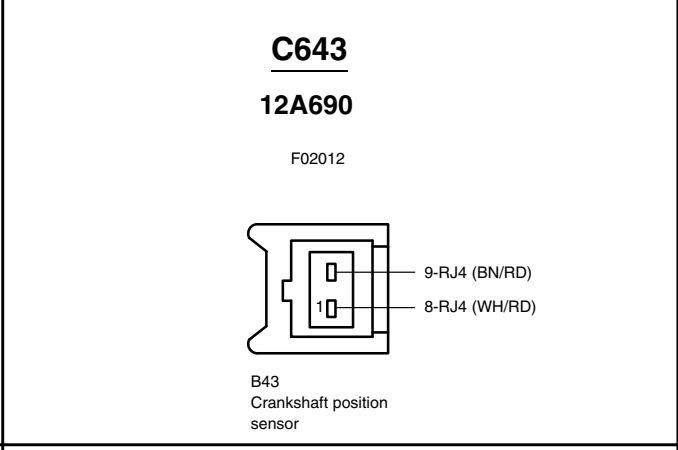
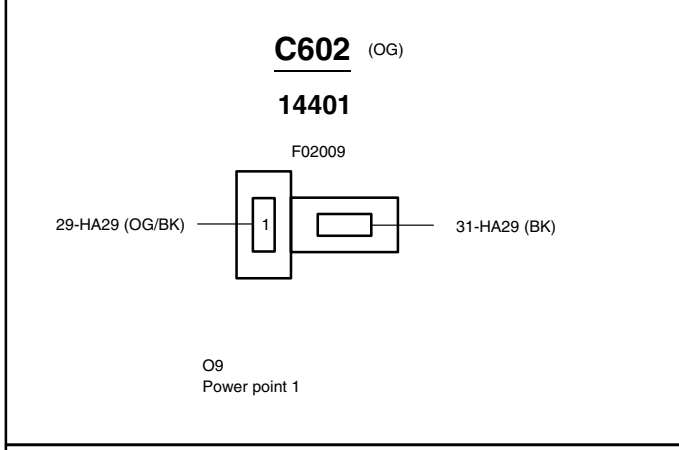
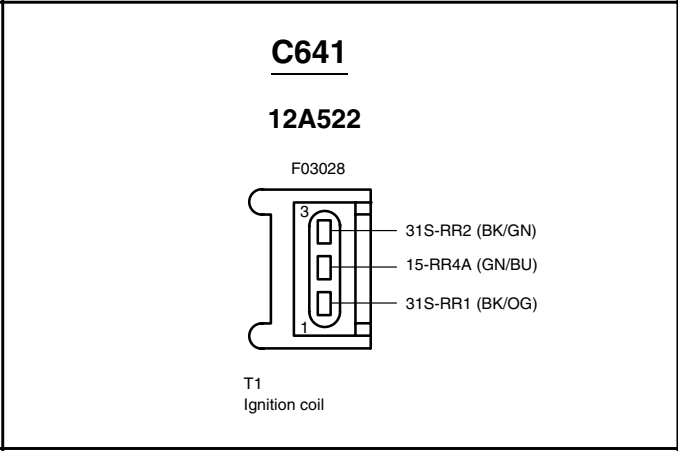
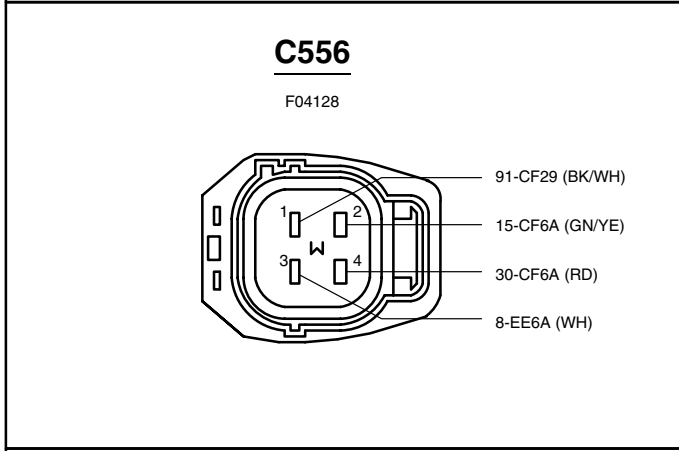
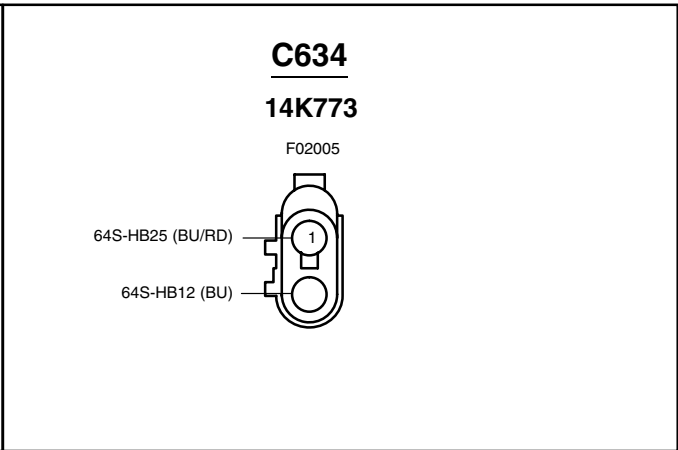
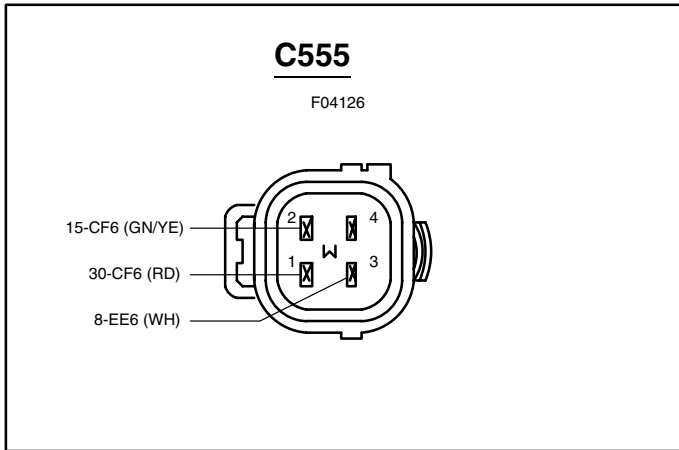
**14401, 19C603**



**18B604**



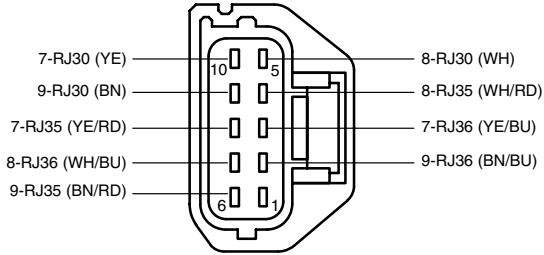
- |                       |                       |
|-----------------------|-----------------------|
| (4) 32-FA76 (WH/BU)   | (12) 31S-FB21 (BK/OG) |
| 33-FA76 (YE/BU)       | 31S-FB22 (BK/GN)      |
| (5) 32-FA76 (WH/BU)   | (13) 31S-FB21 (BK/OG) |
| 33-FA76 (YE/BU)       | 31S-FB22 (BK/GN)      |
| (6) 31S-FB10 (BK/GN)  | (14) 31S-FB20 (BK/BU) |
| 31S-FB13 (BK/YE)      | 31S-FB23 (BK/RD)      |
| (7) 31S-FB11 (BK/RD)  | (15) 31S-FB15 (BK/OG) |
| 31S-FB12 (BK/WH)      | 31S-FB18 (BK/WH)      |
| (8) 31S-FB11 (BK/RD)  | (16) 31S-FB16 (BK/GN) |
| 31S-FB12 (BK/WH)      | 31S-FB17 (BK/RD)      |
| (9) 31S-FB10 (BK/GN)  | (17) 31S-FB16 (BK/GN) |
| 31S-FB13 (BK/YE)      | 31S-FB17 (BK/RD)      |
| (11) 31S-FB20 (BK/BU) | (18) 31S-FB15 (BK/OG) |
| 31S-FB23 (BK/RD)      | 31S-FB18 (BK/WH)      |



**C648**

**12K531**

F10046

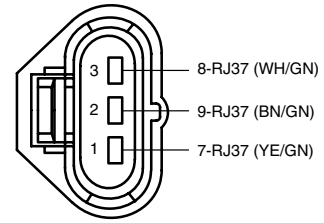


B129  
Accelerator pedal  
position sensor

**C657**

**12A522**

F03101

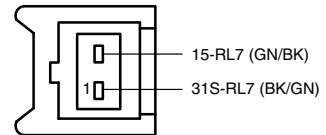


B136  
Exhaust gas recirculation (EGR) valve position sensor

**C661**

**12A522**

F02012

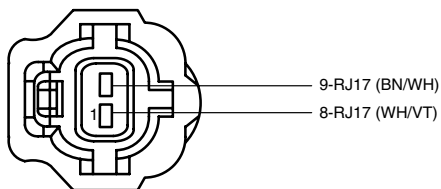


Y33  
Electr. Vacuum Regulator (EVR) solenoid valve

**C655**

**12A522**

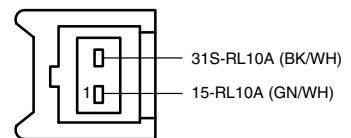
F02027



B64  
Intake air temperature sensor

**C671**

F02012

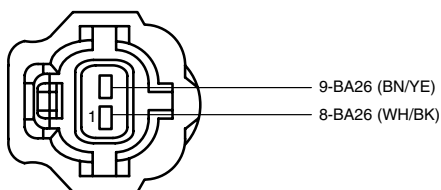


Y176  
Gas injector 1

**C656**

**12A522**

F02027

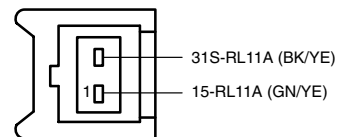


B137  
Battery temperature sensor

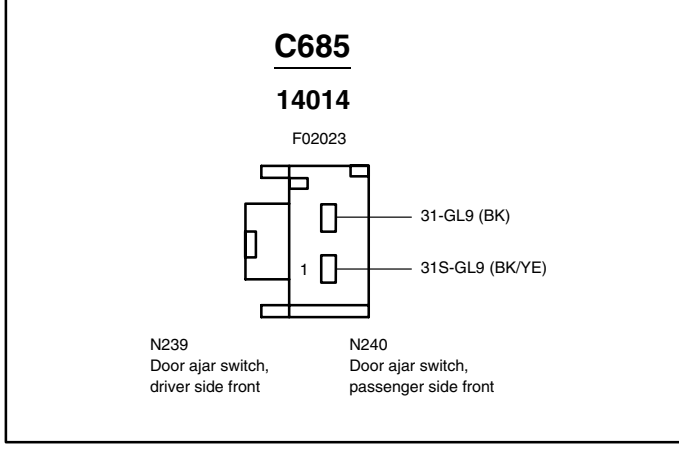
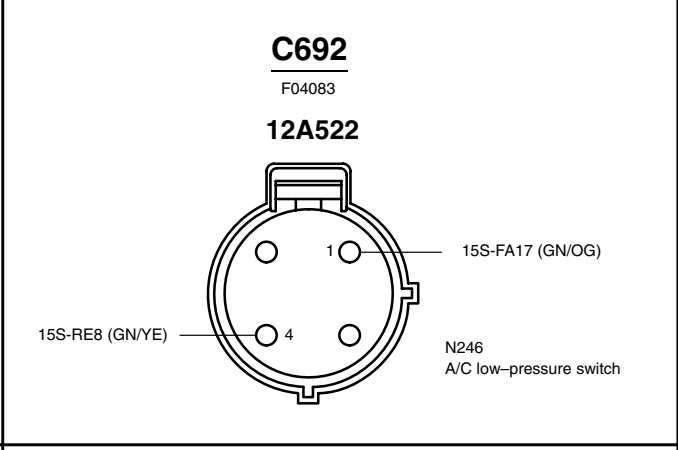
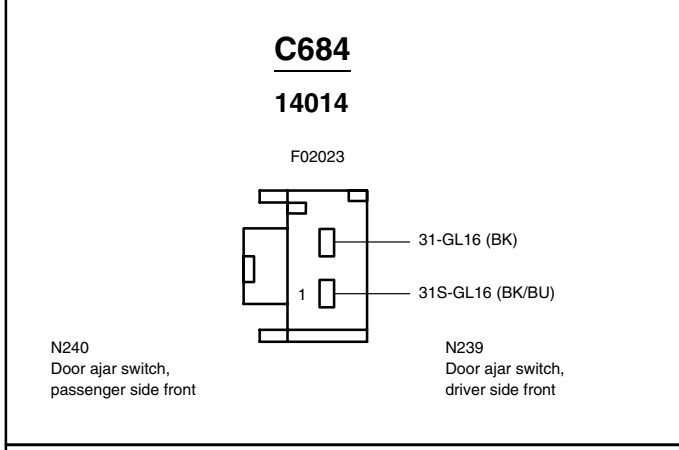
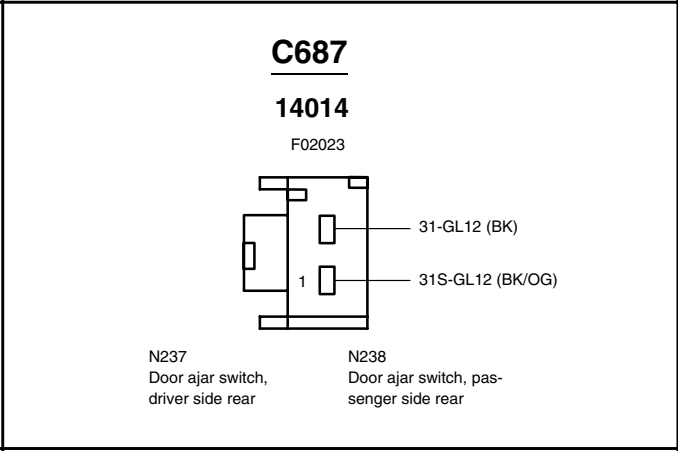
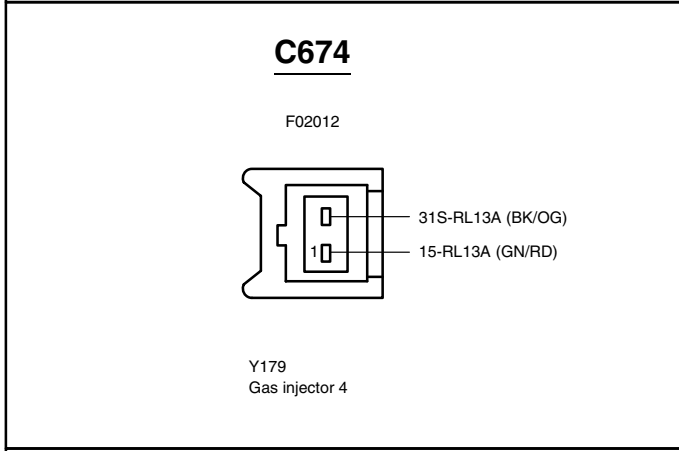
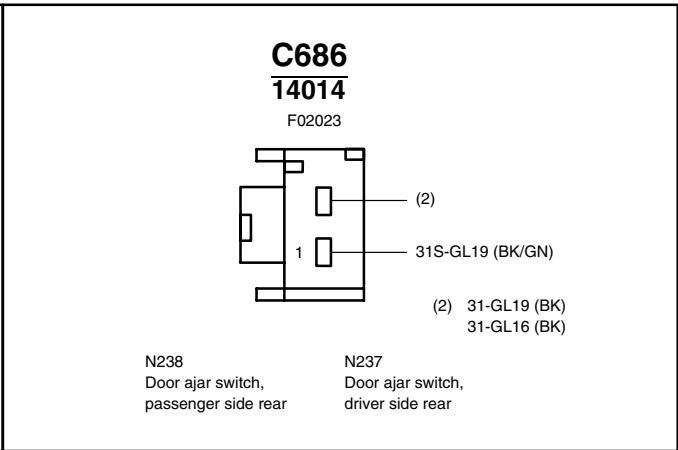
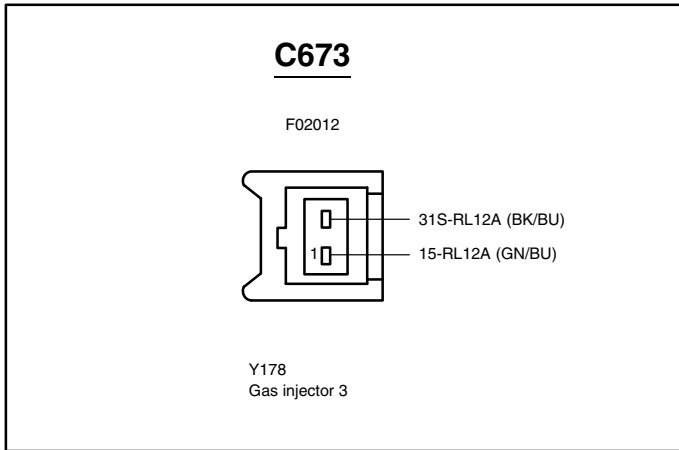
B5  
Air Charge Temperature (ACT) sensor

**C672**

F02012

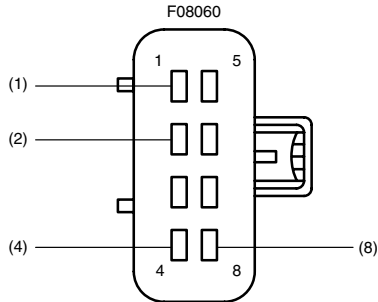


Y177  
Gas injector 2



**C694** (WH)

14014



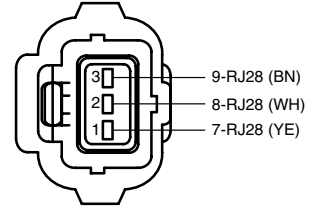
N274  
Seat heater switch,  
driver side

- |   |  |
|---|--|
| (1) 15S-HC8 (GN/RD)<br>15S-HC11 (GN/WH) | (8) 29S-LH29 (OG/YE) +<br>29S-LH43 (OG/BU)<br>29S-LH43 (OG/BU) |
| (2) 15-HC6 (GN/YE)<br>15-HC9 (GN/BK)    |  |
| (4) 31-LH29 (BK)<br>31-LH43 (BK)        |  |

**C703**

9H589

F03093

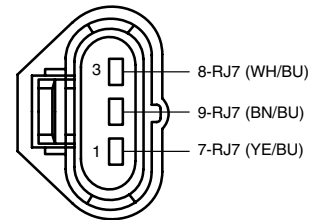


B8  
Throttle Position  
Sensor (TPS)

**C705** (GY)

12A522

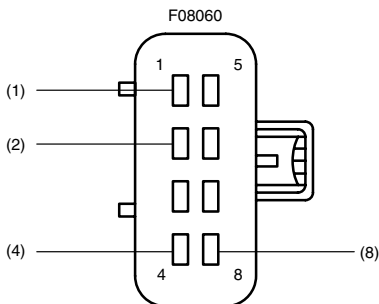
F03101



B40  
Exhaust Pressure  
Transducer (EPT)  
sensor

**C695** (BU)

14014

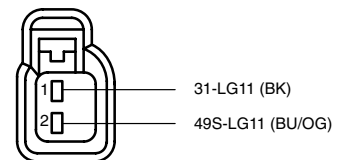


N275  
Seat heater switch,  
passenger side

- |   |  |
|---|--|
| (1) 15S-HC8 (GN/RD)<br>15S-HC11 (GN/WH) | (8) 29S-LH29 (OG/YE) +<br>29S-LH43 (OG/BU)<br>29S-LH43 (OG/BU) |
| (2) 15-HC6 (GN/YE)<br>15-HC9 (GN/BK)    |  |
| (4) 31-LH29 (BK)<br>31-LH43 (BK)        |  |

**C713**

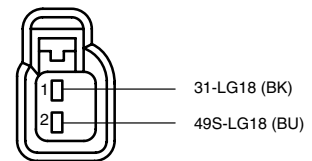
F02058



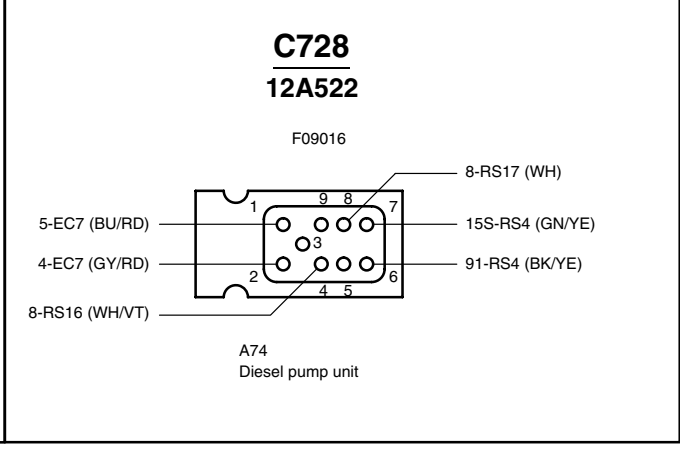
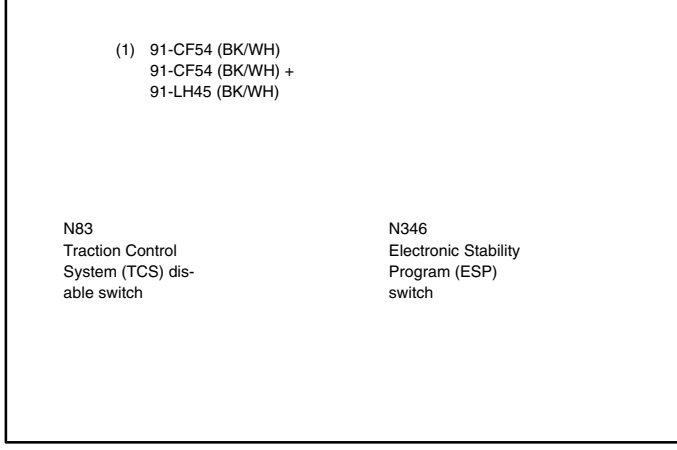
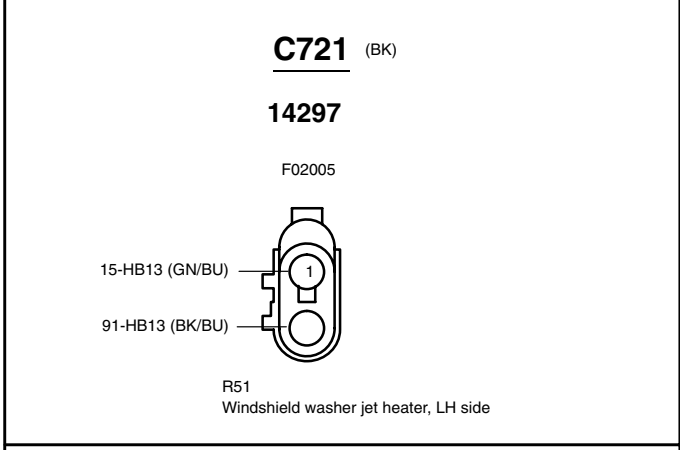
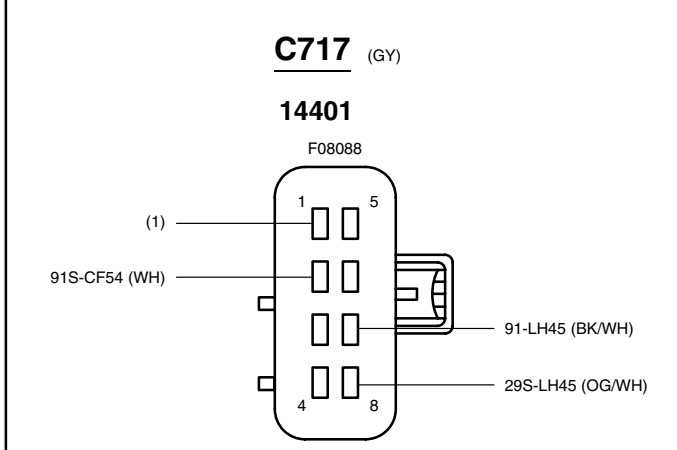
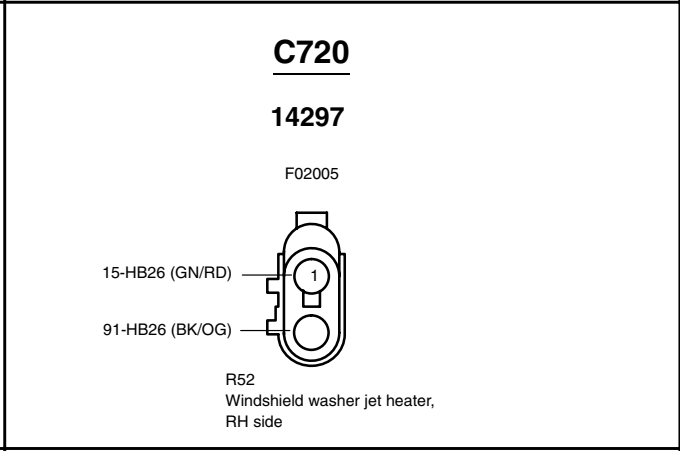
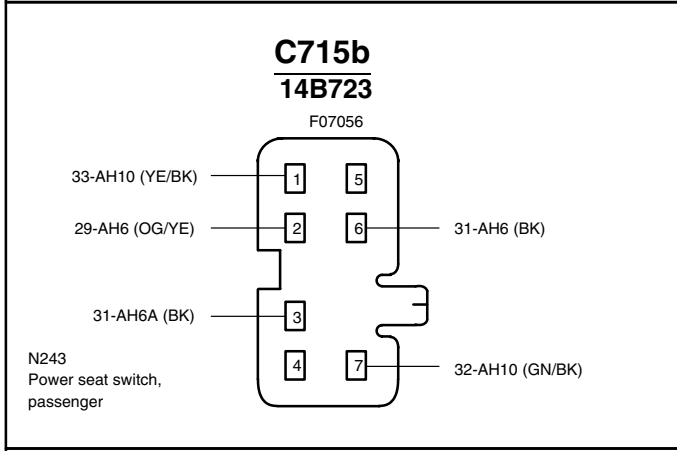
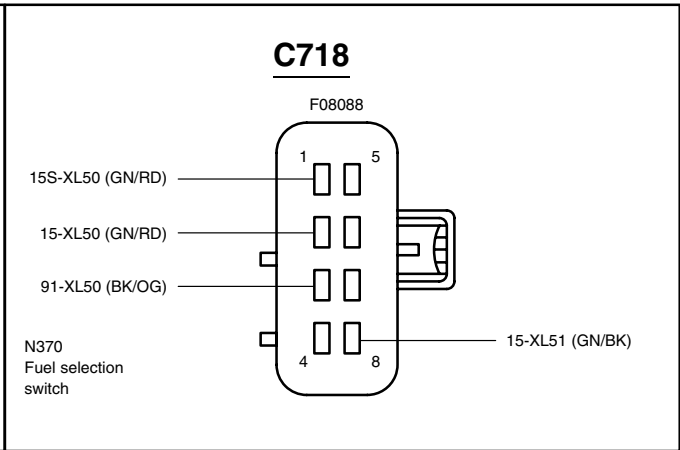
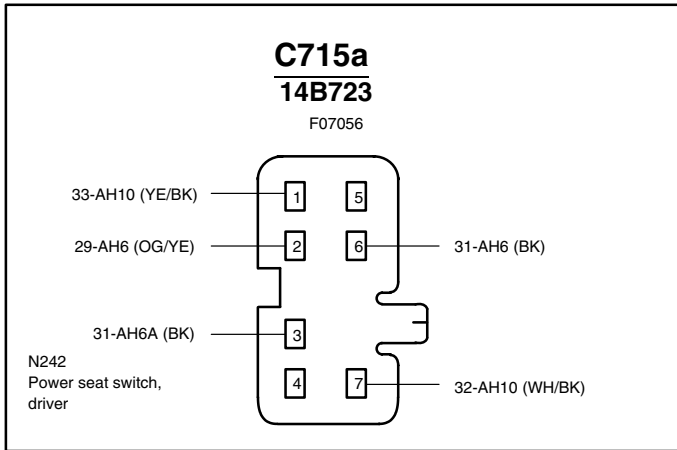
E3  
Direction indicator lamp, LH side front

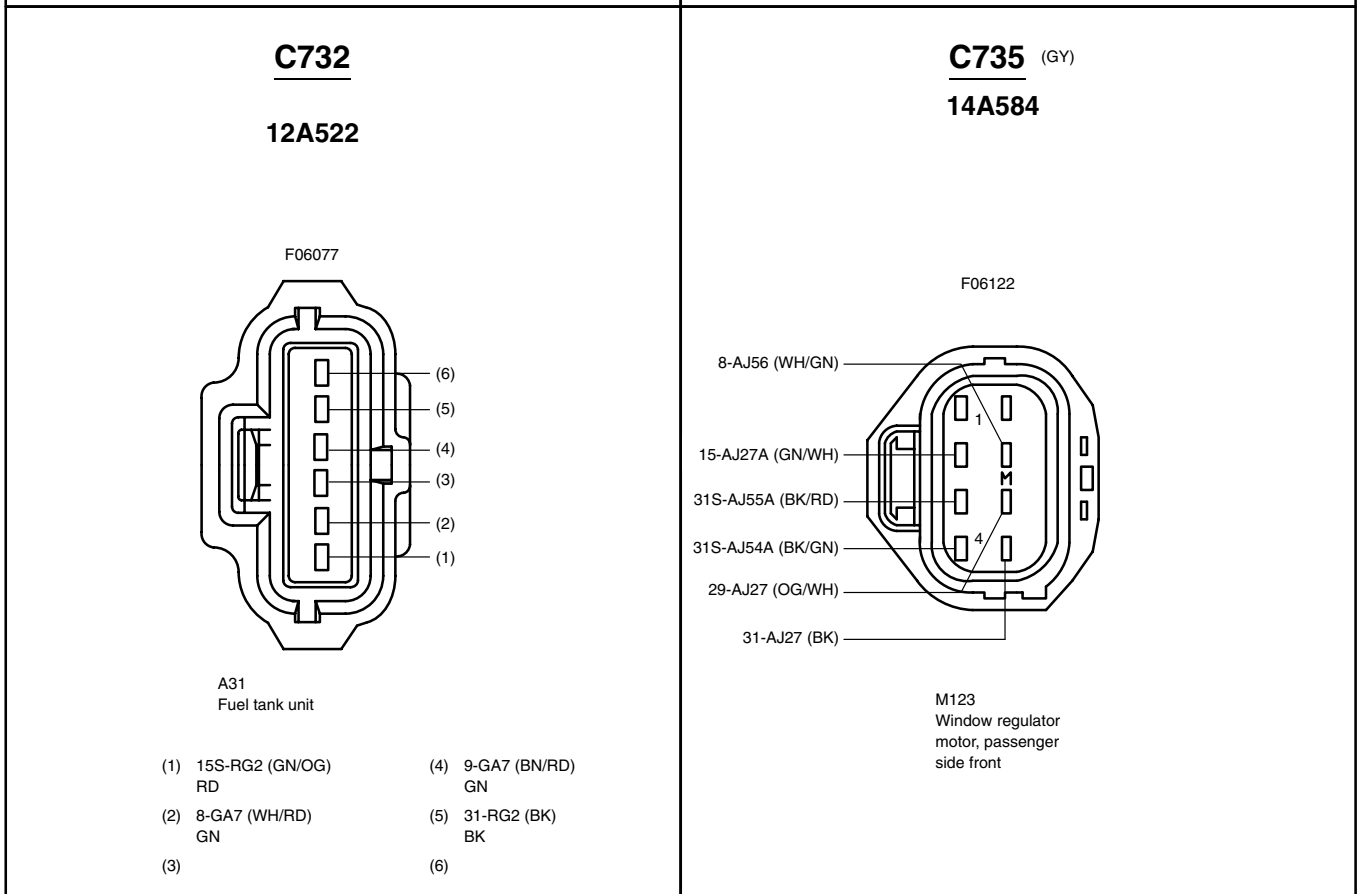
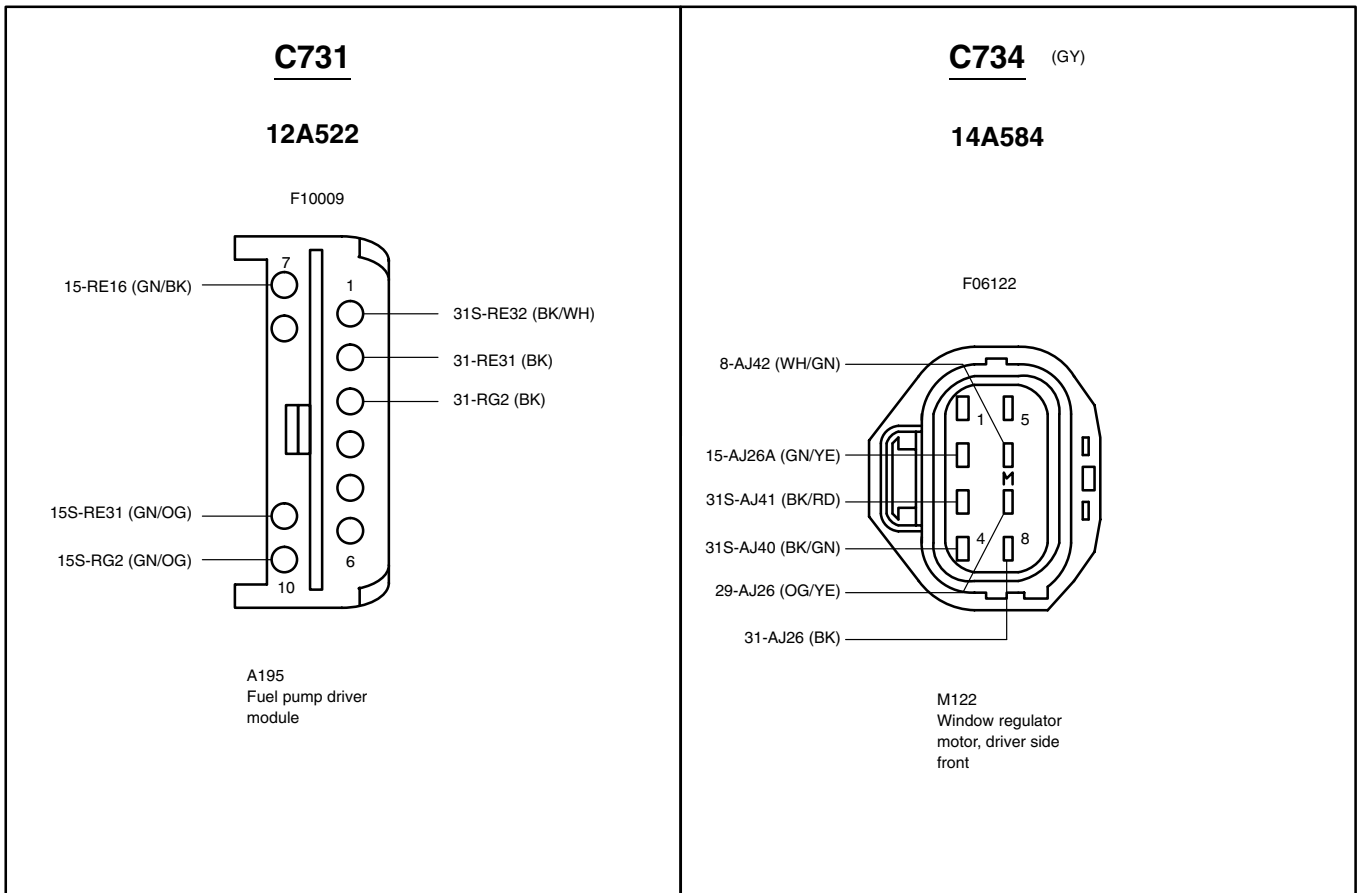
**C714**

F02058



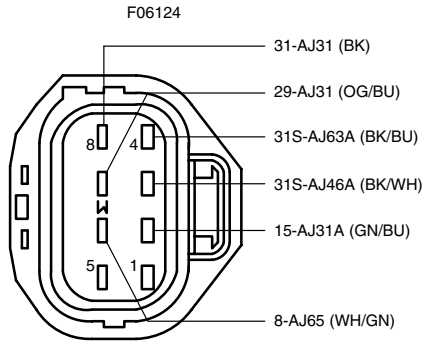
E8  
Direction indicator lamp, RH side front





**C736a** (GY)

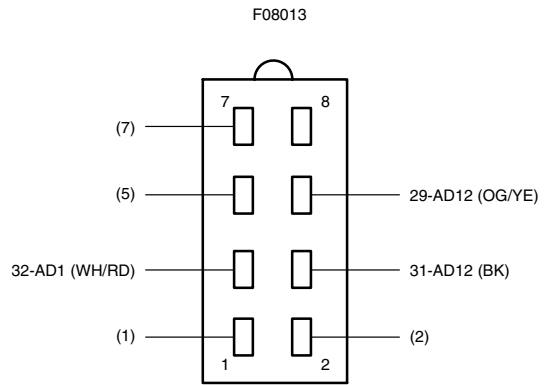
**14A584**



M132  
Window regulator  
motor, LH side rear

**C741**

**14A584**

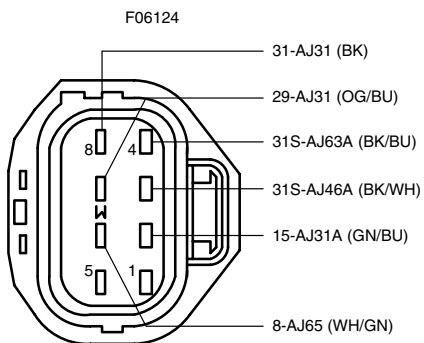


N70  
Power mirror adjust  
switch

- |                                       |                                       |
|---------------------------------------|---------------------------------------|
| (1) 34-AD7 (BU/RD)<br>34-AD10 (BU/YE) | (7) 33-AD8 (YE/BU)<br>33-AD11 (YE/VT) |
| (2) 34-AD7 (BU/RD)<br>34-AD10 (BU/YE) |                                       |
| (5) 33-AD8 (YE/BU)<br>33-AD11 (YE/VT) |                                       |

**C736b** (GY)

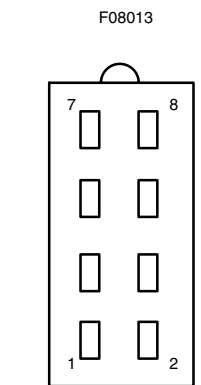
**14A584**



M133  
Window regulator  
motor, RH side rear

**C742**

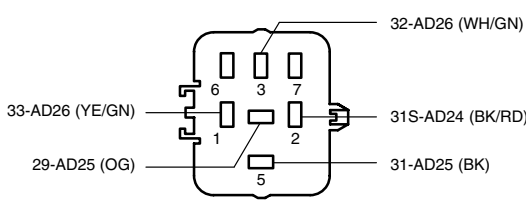
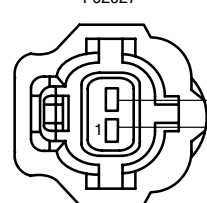
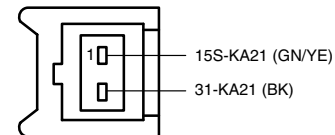
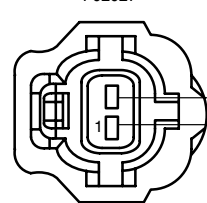
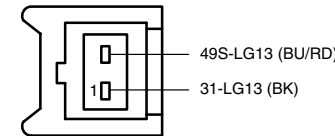
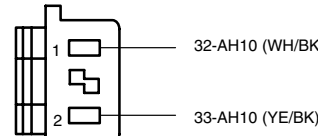
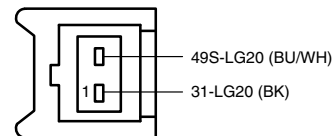
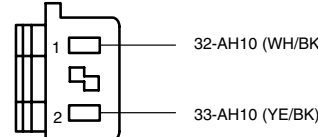
**14A584**

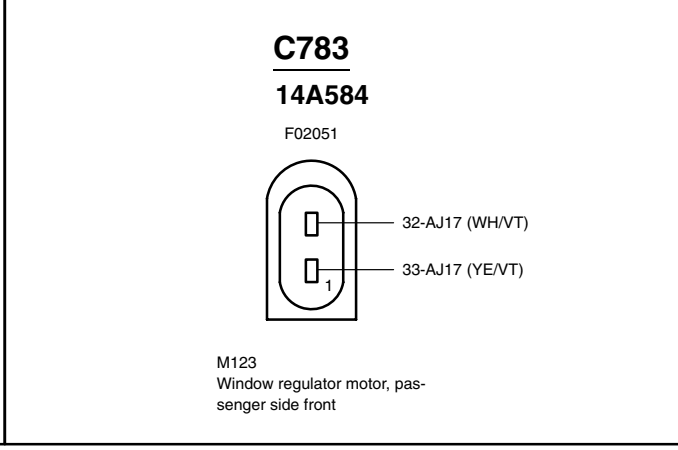
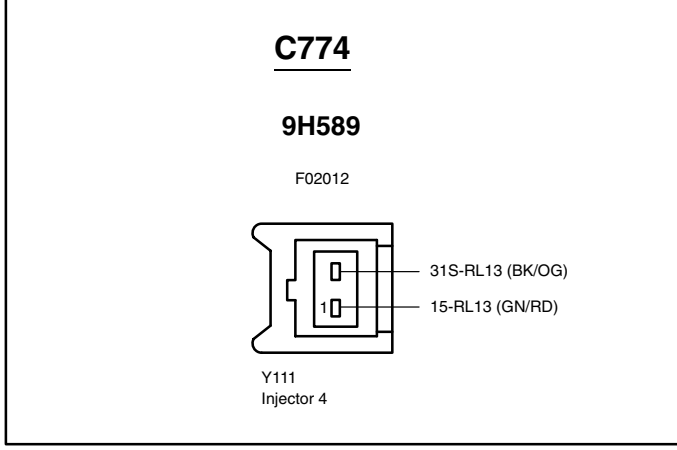
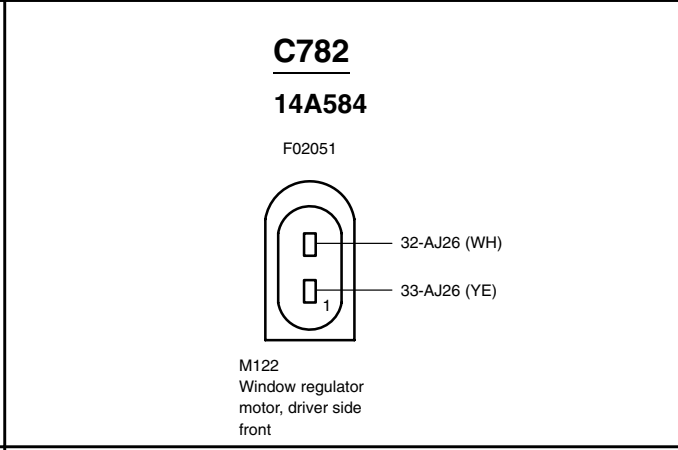
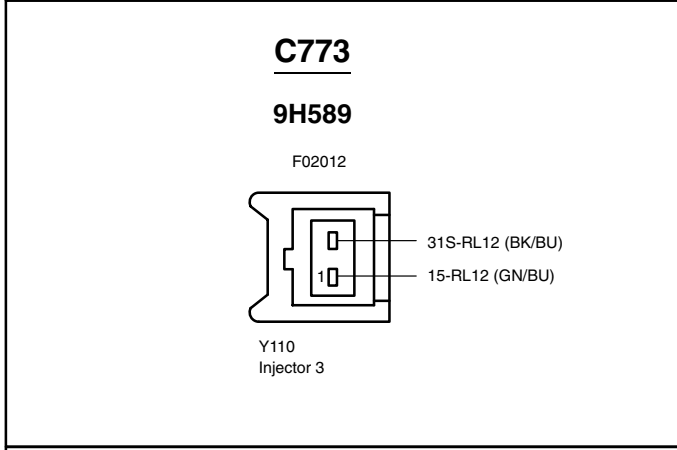
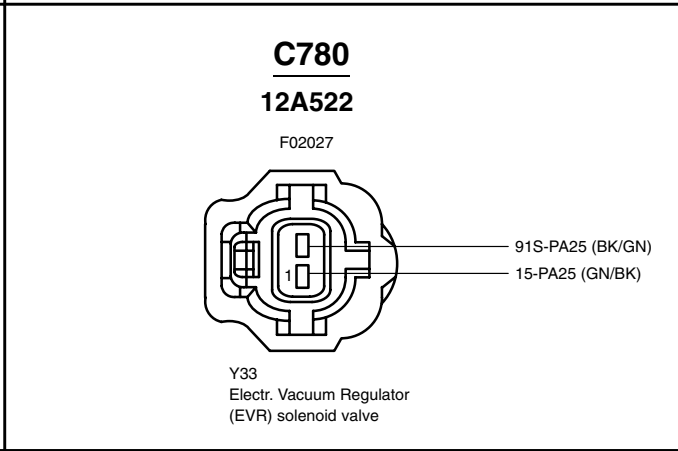
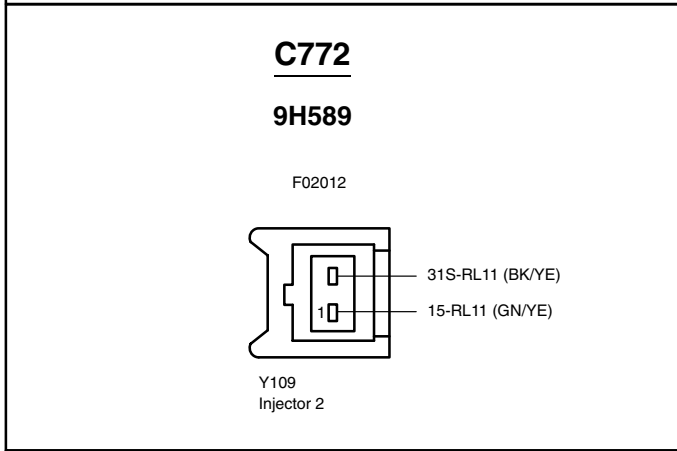
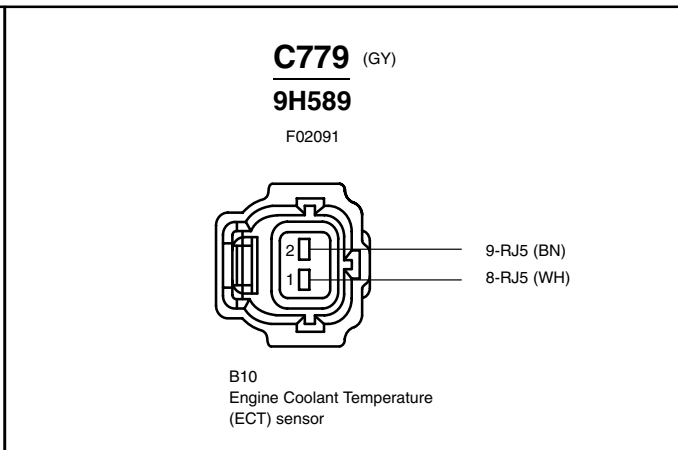
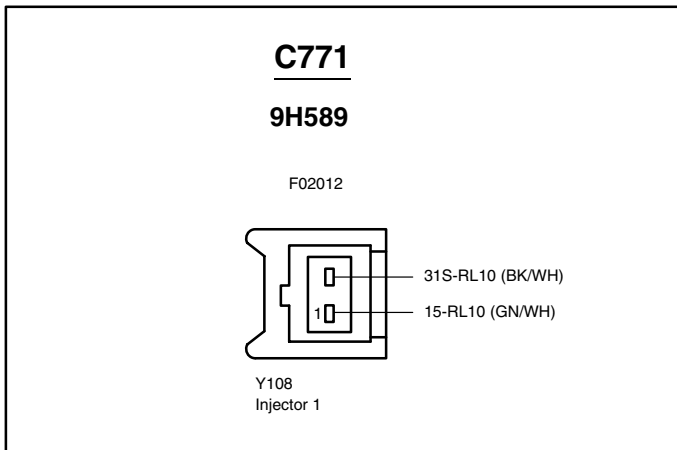


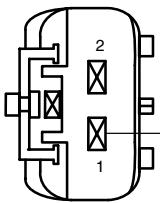
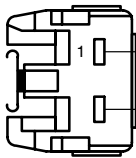
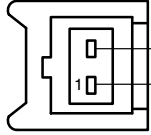
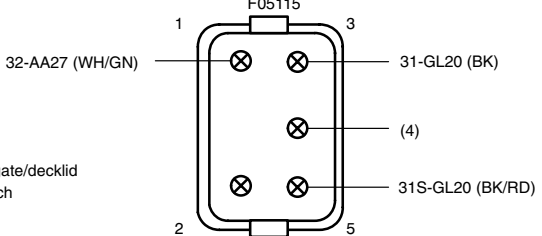
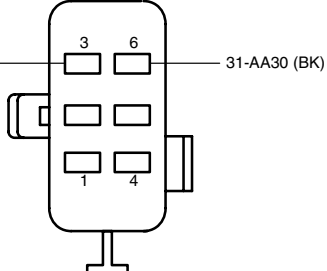
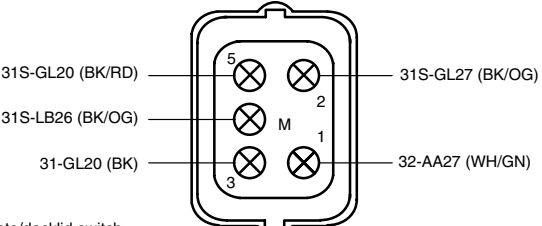
N70  
Power mirror adjust  
switch

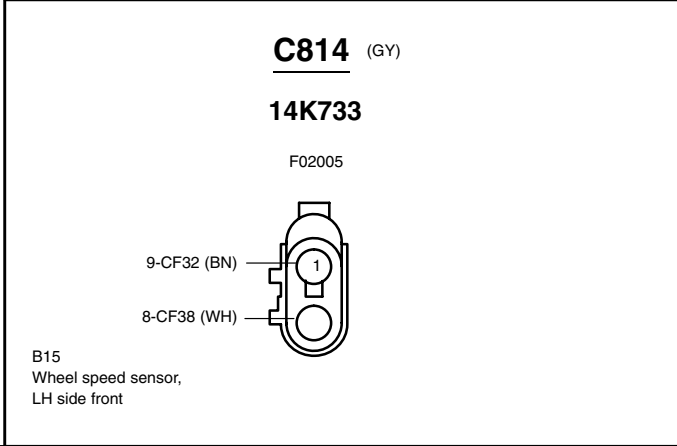
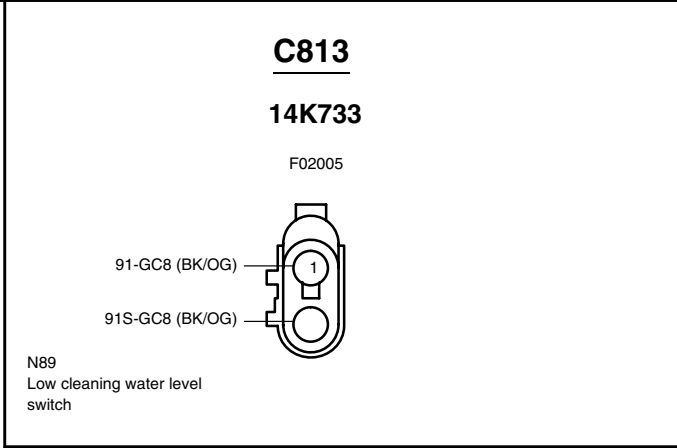
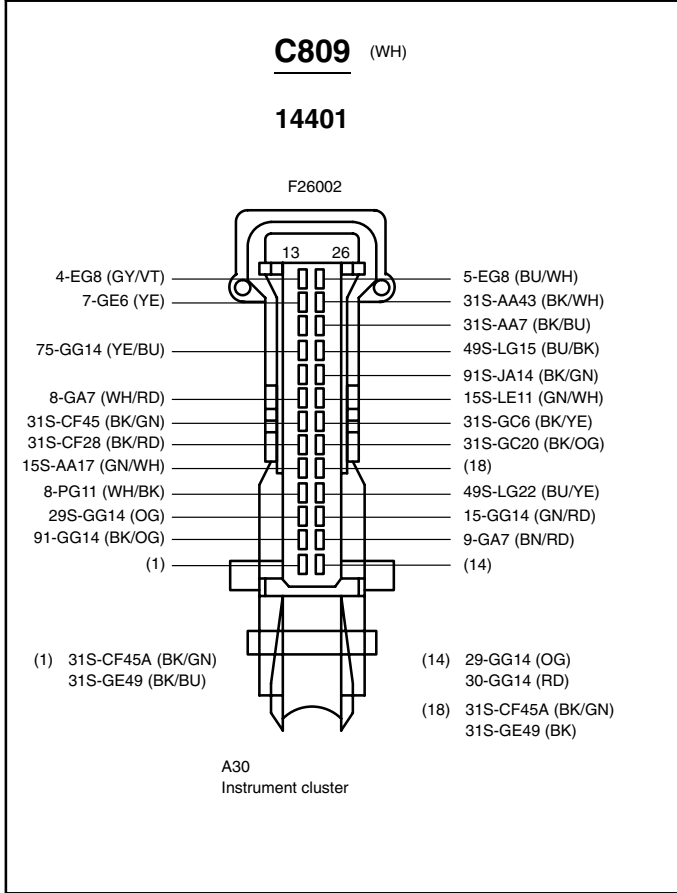
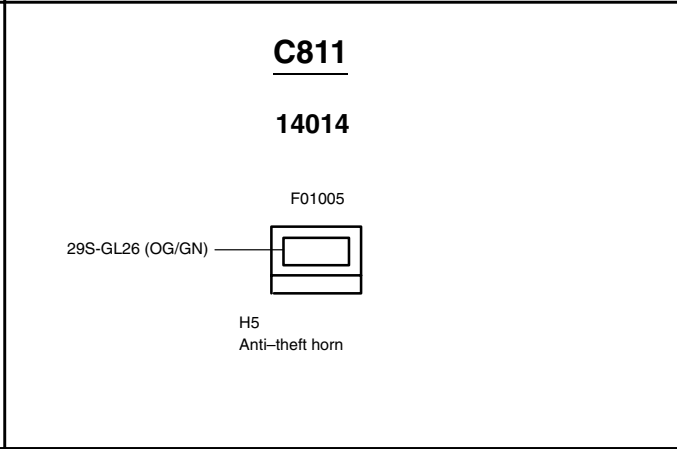
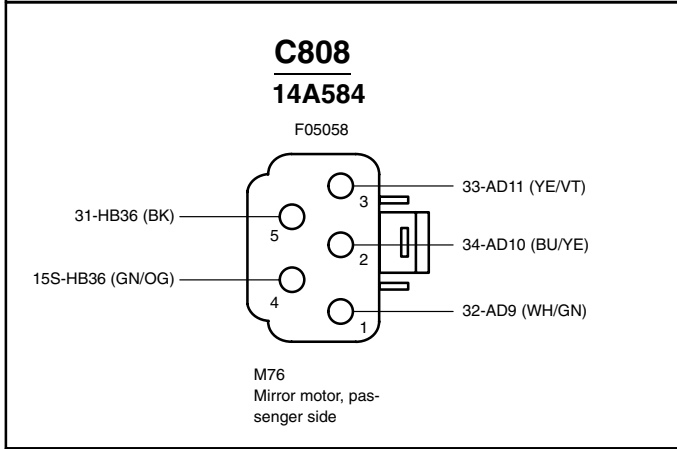
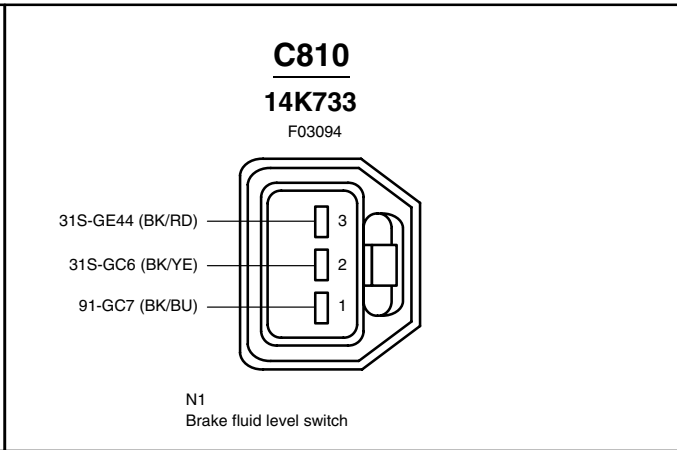
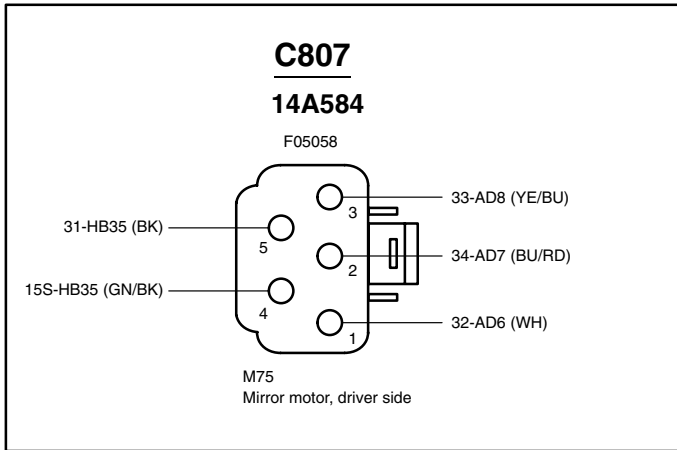
- |                     |                      |
|---------------------|----------------------|
| (1) 34-AD10 (BU/YE) | (5) 33-AD8 (YE/BU)   |
| (2) 34-AD7 (BU/RD)  | (6) 29-AD12 (OG/YE)  |
| (3) 32-AD1 (WH/RD)  | (7) 33-AD11 (YE/VT)  |
| (4) 31-AD12 (BK)    | (8) 31S-AD24 (BK/RD) |

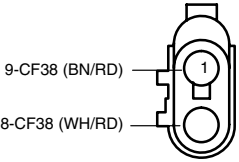
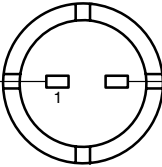
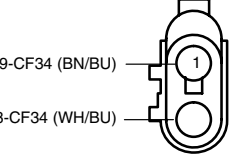
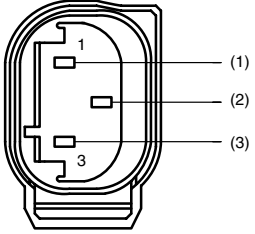
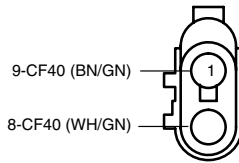
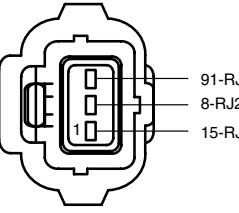
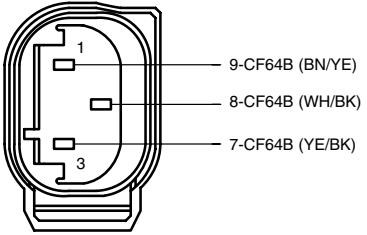
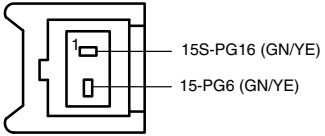


<p style="text-align: center;"><b>C743</b></p> <p style="text-align: center;">F07058</p>  <p>33-AD26 (YE/GN)</p> <p>29-AD25 (OG)</p> <p>32-AD26 (WH/GN)</p> <p>31S-AD24 (BK/RD)</p> <p>31-AD25 (BK)</p> <p>A148 Power mirror fold module</p>	<p style="text-align: center;"><b>C755</b></p> <p style="text-align: center;"><b>9H589</b></p> <p style="text-align: center;">F02027</p>  <p>31S-RL9 (BK/YE)</p> <p>15-RL9 (GN/YE)</p> <p>Y13 Idle speed control valve</p>
<p style="text-align: center;"><b>C745</b></p> <p style="text-align: center;"><b>13K081</b></p> <p style="text-align: center;">F02012</p>  <p>15S-KA21 (GN/YE)</p> <p>31-KA21 (BK)</p> <p>M5 Headlamp washer pump</p>	<p style="text-align: center;"><b>C756</b></p> <p style="text-align: center;"><b>9H589</b></p> <p style="text-align: center;">F02027</p>  <p>31S-RL9 (BK/YE)</p> <p>15-RL9 (GN/YE)</p> <p>Y13 Idle speed control valve</p>
<p style="text-align: center;"><b>C753</b></p> <p style="text-align: center;"><b>14K733</b></p> <p style="text-align: center;">F02012</p>  <p>49S-LG13 (BU/RD)</p> <p>31-LG13 (BK)</p> <p>E45 Side direction indicator lamp, LH side</p>	<p style="text-align: center;"><b>C761a</b> (GY)</p> <p style="text-align: center;"><b>14B723</b></p> <p style="text-align: center;">F02130</p>  <p>32-AH10 (WH/BK)</p> <p>33-AH10 (YE/BK)</p> <p>M45 Front seat height motor</p> <p>M158 Driver seat height motor</p>
<p style="text-align: center;"><b>C754</b></p> <p style="text-align: center;"><b>12A522</b></p> <p style="text-align: center;">F02012</p>  <p>49S-LG20 (BU/WH)</p> <p>31-LG20 (BK)</p> <p>E44 Side direction indicator lamp, RH side</p>	<p style="text-align: center;"><b>C761b</b> (GY)</p> <p style="text-align: center;"><b>14B723</b></p> <p style="text-align: center;">F02130</p>  <p>32-AH10 (WH/BK)</p> <p>33-AH10 (YE/BK)</p> <p>M159 Passenger seat height motor</p>



<p style="text-align: center;"><b>C789</b> (GY)</p> <div style="display: flex; justify-content: space-around;"> <div style="text-align: center;"> <p><b>19C603</b></p> <p>F02041</p>  <p>15-FA18 (GN/OG)</p> </div> <div style="text-align: center;"> <p><b>14401</b></p> <p>F02032</p>  <p>15-FA18 (GN/OG) 31S-FA18 (BK/RD)</p> </div> </div> <p style="text-align: center;">M3 Heater blower motor</p>	<p style="text-align: center;"><b>C803</b></p> <p style="text-align: center;"><b>9H589</b></p> <p style="text-align: center;">F02012</p>  <p>9-RJ3 (BN/WH) 8-RJ3 (WH/VT)</p> <p style="text-align: center;">B41 Camshaft position sensor</p>
<p style="text-align: center;"><b>C798</b> (NA)</p> <p style="text-align: center;"><b>14405, 14A584</b></p> <p style="text-align: center;">F05115</p>  <p>32-AA27 (WH/GN)      31-GL20 (BK)</p> <p>(4)</p> <p>31S-LB1 (BK/BU) 31S-LB26 (BK/OG)</p> <p style="text-align: center;">N22 Tailgate/decklid switch</p> <p style="text-align: center;">A196 Battery backup sounder</p>	<p style="text-align: center;"><b>C804</b></p> <p style="text-align: center;"><b>14K733</b></p> <div style="display: flex; justify-content: space-between;"> <div style="width: 45%;"> <p>(1) 31-GL36 (BK)</p> <p>(2) 8-GL26 (WH/BK)</p> </div> <div style="width: 45%;"> <p>(3) 30-GL26 (RD)</p> </div> </div> <p style="text-align: center;">A196 Battery backup sounder</p>
<p style="text-align: center;"><b>C799</b></p> <p style="text-align: center;"><b>14401</b></p> <p style="text-align: center;">F06065</p>  <p>31S-AA30 (BK/YE)      31-AA30 (BK)</p> <p style="text-align: center;">N155 Tailgate/decklid re- lease switch</p> <p style="text-align: center;">M75 Mirror motor, driver side</p>	<p style="text-align: center;"><b>C805</b></p> <p style="text-align: center;"><b>14A584</b></p> <div style="display: flex; justify-content: space-between;"> <div style="width: 45%;"> <p>(1) 32-AD6 (WH)</p> <p>(2) 34-AD7 (BU/RD)</p> <p>(3) 33-AD8 (YE/BU)</p> <p>(4) 15S-HB35 (GN/BK)</p> </div> <div style="width: 45%;"> <p>(5) 31-HB35 (BK)</p> <p>(6) 33-AD28 (YE/GN)</p> <p>(7) 32-AD28 (WH/GN)</p> </div> </div> <p style="text-align: center;">M75 Mirror motor, driver side</p>
<p style="text-align: center;"><b>C800</b> (NA)</p> <p style="text-align: center;"><b>14A584</b></p> <p style="text-align: center;">F05061</p>  <p>31S-GL20 (BK/RD)      31S-GL27 (BK/OG)</p> <p>31S-LB26 (BK/OG)      M</p> <p>31-GL20 (BK)      32-AA27 (WH/GN)</p> <p style="text-align: center;">N22 Tailgate/decklid switch</p> <p style="text-align: center;">M76 Mirror motor, pas- senger side</p>	<p style="text-align: center;"><b>C806</b></p> <p style="text-align: center;"><b>14A584</b></p> <div style="display: flex; justify-content: space-between;"> <div style="width: 45%;"> <p>(1) 32-AD9 (WH/GN)</p> <p>(2) 34-AD10 (BU/YE)</p> <p>(3) 33-AD11 (YE/VT)</p> <p>(4) 15S-HB36 (GN/OG)</p> </div> <div style="width: 45%;"> <p>(5) 31-HB36 (BK)</p> <p>(6) 33-AD27 (YE/GN)</p> <p>(7) 32-AD27 (WH/GN)</p> </div> </div> <p style="text-align: center;">M76 Mirror motor, pas- senger side</p>

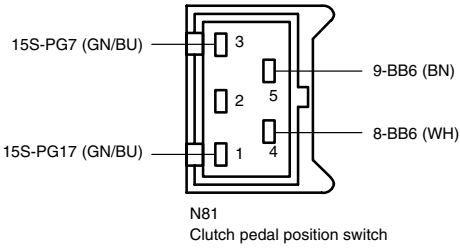


<p style="text-align: center;"><b>C815</b> (GY)</p> <p style="text-align: center;"><b>14K733</b></p> <p style="text-align: center;">F02005</p>  <p>9-CF38 (BN/RD)</p> <p>8-CF38 (WH/RD)</p> <p style="text-align: center;">B14 Wheel speed sensor, RH side front</p>	<p style="text-align: center;"><b>C820</b> (GY)</p> <p style="text-align: center;"><b>14014, 14405</b></p> <p style="text-align: center;">F02019</p>  <p>31S-LB25 (BK/BU)</p> <p>29-LB25 (OG/BU)</p> <p style="text-align: center;">E57 Luggage compartment lamp</p>
<p style="text-align: center;"><b>C816</b></p> <p style="text-align: center;"><b>14014</b></p> <p style="text-align: center;">F02005</p>  <p>9-CF34 (BN/BU)</p> <p>8-CF34 (WH/BU)</p> <p style="text-align: center;">B17 Wheel speed sensor, LH side rear</p>	<p style="text-align: center;"><b>C821</b></p> <p style="text-align: center;"><b>2C195, 14K733</b></p> <p style="text-align: center;">F03108</p>  <p style="text-align: center;">B140 Primary brake pres- sure sensor</p> <ul style="list-style-type: none"> <li>(1) 9-CF64 (BN/YE) 9-CF64A (BN/YE)</li> <li>(2) 8-CF64 (WH/BK) 8-CF64A (WH/BK)</li> <li>(3) 7-CF64 (YE/BK) 7-CF64A (YE/BK)</li> </ul>
<p style="text-align: center;"><b>C817</b></p> <p style="text-align: center;"><b>14014</b></p> <p style="text-align: center;">F02005</p>  <p>9-CF40 (BN/GN)</p> <p>8-CF40 (WH/GN)</p> <p style="text-align: center;">B16 Wheel speed sensor, RH side rear</p>	<p style="text-align: center;"><b>C823</b></p> <p style="text-align: center;">F03093</p>  <p>91-RJ29 (BK/OG)</p> <p>8-RJ29 (WH/BU)</p> <p>15-RJ29 (GN/RD)</p> <p style="text-align: center;">B11 Vehicle speed sensor (VSS)</p>
<p style="text-align: center;"><b>C819</b></p> <p style="text-align: center;"><b>2C195, 14K733</b></p> <p style="text-align: center;">F03108</p>  <p>9-CF64B (BN/YE)</p> <p>8-CF64B (WH/BK)</p> <p>7-CF64B (YE/BK)</p> <p style="text-align: center;">B178 Primary brake pres- sure sensor 2</p>	<p style="text-align: center;"><b>C824</b></p> <p style="text-align: center;"><b>14401</b></p> <p style="text-align: center;">F02014</p>  <p>15S-PG16 (GN/YE)</p> <p>15-PG6 (GN/YE)</p> <p style="text-align: center;">N82 Brake pedal position switch</p>

**C825**

**14401**

F05012

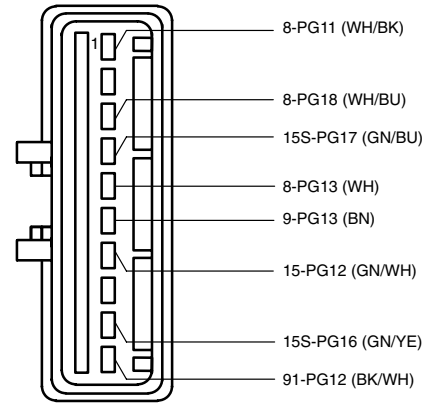


N81  
Clutch pedal position switch

**C831**

**14K733**

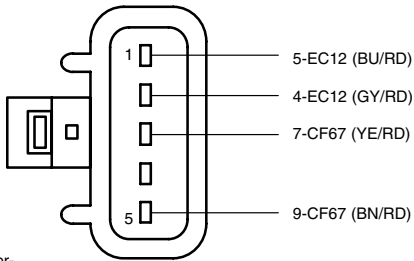
F10011



A27  
Speed control module

**C826**

F05113

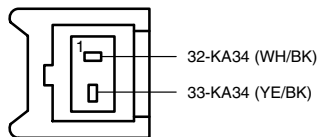


B174  
Yaw rate acceleration sensor

**C828**

**14K733**

F02014

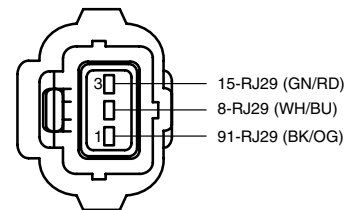


M74  
Two-way washer pump motor

**C832**

**12A690**

F03093

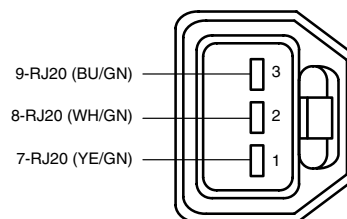


B11  
Vehicle speed sensor (VSS)

**C833**

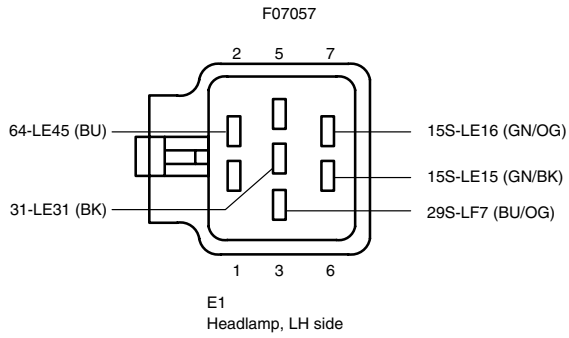
**12A522**

F03094

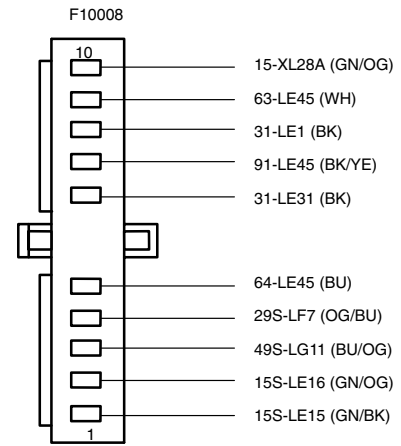


B2  
Manifold Absolute Pressure (MAP) sensor

**C836**



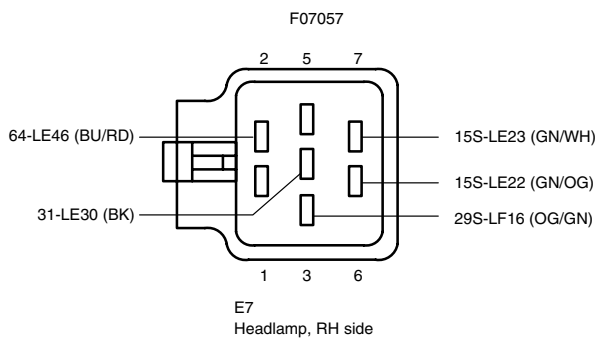
**14K733**



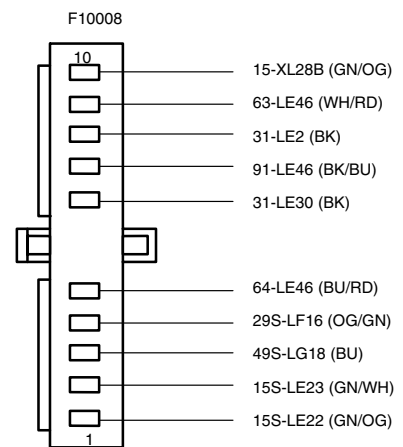
E1  
Headlamp, LH side

E181  
High intensity discharge headlamp,  
LH side

**C837**



**14K733**



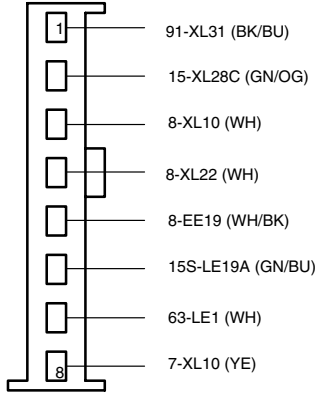
E7  
Headlamp, RH side

E182  
High intensity discharge headlamp,  
RH side

**C838**

**14K733**

F08017

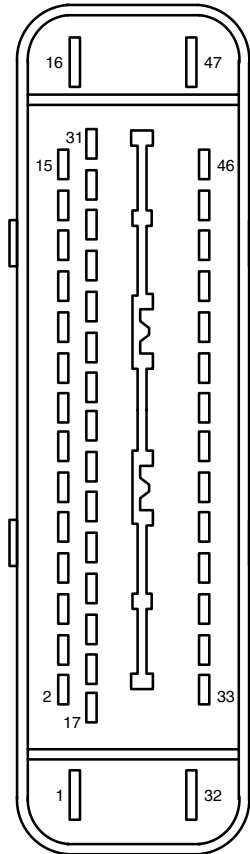


A323  
High intensity discharge headlamp control module/levelling sensor



**C840**  
**14K733**

F47006

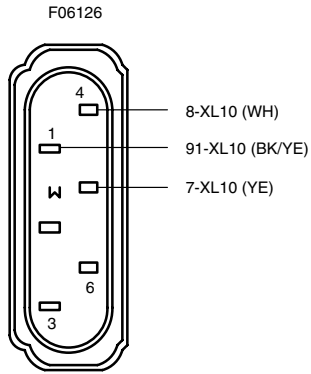


- |                        |                     |                        |                       |
|------------------------|---------------------|------------------------|-----------------------|
| (1) 30-CF13A (RD)      | (14) 5-EG6 (BU)     | (27)                   | (40)                  |
| (2) 8-EE6A (WH)        | (15)                | (28)                   | (41) 15S-CF58 (GN/OG) |
| (3) 8-CE8 (WH/BU)      | (16) 91-CF6 (BK/YE) | (29) 4-EC12 (GY/RD)    | (42) 9-CF40 (BN/GN)   |
| (4) 15-CF6A (GN/YE)    | (17)                | (30)                   | (43) 8-CF40 (WH/GN)   |
| (5) 9-CF1 (BN/RD)      | (18) 7-CF64 (YE/BK) | (31)                   | (44) 31S-CF28 (BK/RD) |
| (6) 10-CE8 (GY/VT)     | (19) 9-CF64 (BN/YE) | (32) 30-CF6A (RD)      | (45) 8-CF32 (WH)      |
| (7) 7-CF1 (YE/RD)      | (20) 8-CF64 (WH/BK) | (33) 9-CF38 (BN/RD)    | (46) 9-CF32 (BN)      |
| (8)                    | (21)                | (34) 8-CF38 (WH/RD)    | (47) 91-CF13 (BK/BU)  |
| (9)                    | (22)                | (35) 31S-CF45A (BK/GN) |                       |
| (10)                   | (23)                | (36) 8-CF34 (WH/BU)    |                       |
| (11)                   | (24)                | (37) 9-CF34 (BN/BU)    |                       |
| (12) 4-EG6 (GY)        | (25) 5-EC12 (BU/RD) | (38) 91S-CF54 (BK/WH)  |                       |
| (13) 31S-CF45A (BK/GN) | (26)                | (39) 31S-CF54 (BK/GN)  |                       |

A7  
ABS control module

A176  
Electronic Stability  
Program (ESP)  
module

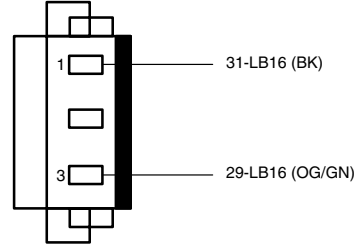
**C841**  
**14A107**



B244  
Headlamp levelling  
sensor, rear

**C844**  
**14335**

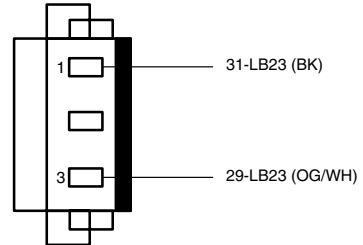
F03182



E30  
LH Vanity mirror  
lamp

**C845**  
**14335**

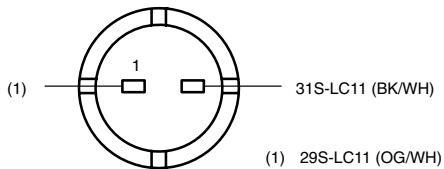
F03182



E31  
RH Vanity mirror  
lamp

**C842** (GY)  
**14401**

F02019

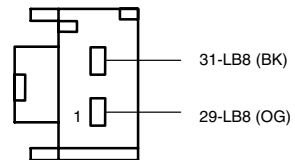


E61  
LH Front footwell lamp

(1) 29S-LC11 (OG/WH)  
29-LC11 (OG/WH)

**C846**  
**14401**

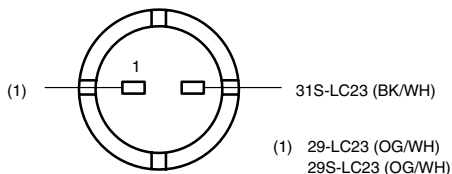
F02023



E28  
Glove box lamp

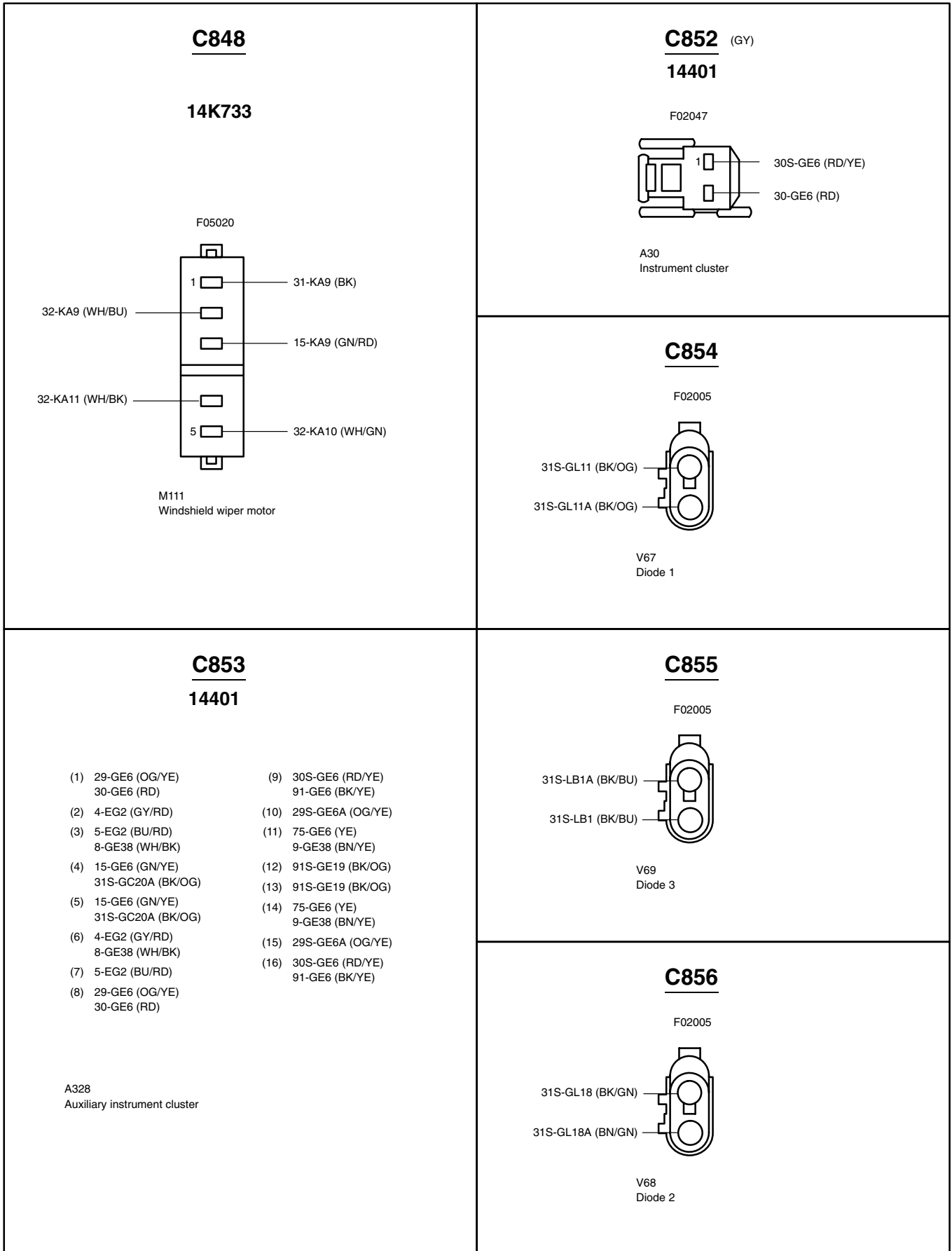
**C843** (GY)  
**14401**

F02019



E62  
RH Front footwell  
lamp

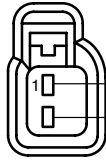
(1) 29-LC23 (OG/WH)  
29S-LC23 (OG/WH)



**C864**

**9H589**

F02058

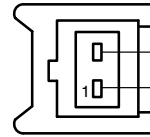


- 15S-LG3 (GN/YE)
- 15-LG28 (GN/WH)

**C875**

**14K733**

F02012

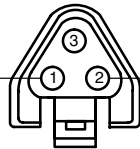


- 64S-RD18 (BU/WH)
- 64-RD18 (BU/WH)

N289  
Thermo switch, outside temperature

**12A690**

F03015



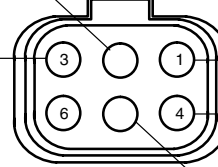
- 15S-LG3 (GN/YE)
- 15-LG28 (GN/WH)

N276  
Transmission switch

**C878**

**14K733**

F06028



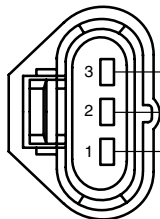
- 31-RD18 (BK)
- 8-EE11 (WH/VT)
- 30-RD18 (RD)
- 15-RD18 (GN/RD)
- 64S-RD18 (BU/WH)

R50  
Booster heater

**C870**

**12A522, 12A690**

F03101



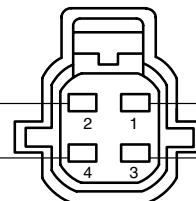
- 30-BA10 (RD)
- 5-EB6 (BU)
- 4-EB6 (GY)

O5  
Generator

**C882**

**14K733**

F04030



- 8-PA13 (WH/RD)
- 15S-FA38 (GN/RD)
- 15S-FA17 (GN/OG)
- 9-PA13 (BN/RD)

N126  
A/C high-pressure switch

**C871**

**14A280**

- (1) 30-BA6 (RD)

O5  
Generator

**C887**

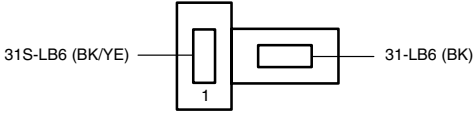
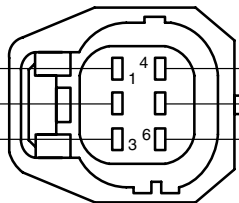
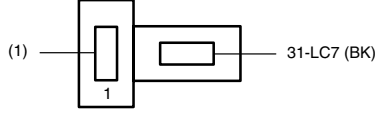
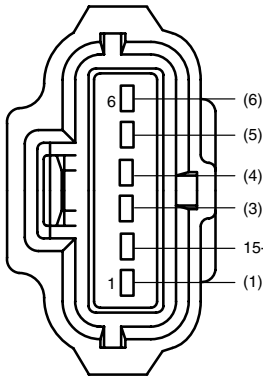
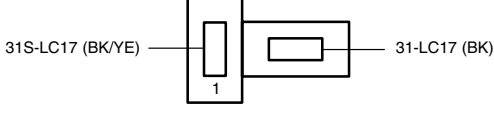
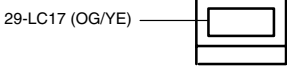
**14335**

F01005



- 29-LB6 (OG/YE)

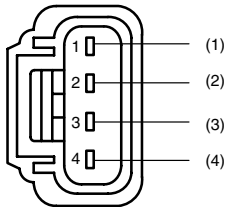
E87  
Cargo space lamp

<p style="text-align: center;"><b>C888</b></p> <p style="text-align: center;"><b>14335</b></p> <p style="text-align: center;">F02009</p>  <p>31S-LB6 (BK/YE)      31-LB6 (BK)</p> <p style="text-align: center;">E87 Cargo space lamp</p>	<p style="text-align: center;"><b>C893</b></p> <p style="text-align: center;">F06142</p>  <p>8-RJ17B (WH/VT)      9-RJ21 (BN/RD) 15-RJ21 (GN/BU)      8-RJ21 (WH/RD) 91-RJ21 (BK/BU)      9-RJ17A (BN/WH)</p> <p style="text-align: center;">B173 Mass Air Flow (MAF) sensor 2</p>
<p style="text-align: center;"><b>C890</b></p> <p style="text-align: center;"><b>14335</b></p> <p style="text-align: center;">F02009</p>  <p>(1)      31-LC7 (BK)</p> <p style="text-align: center;">(1) 31S-LC7 (BK/BU) + 31S-LC17 (BK/YE) 31S-LC7 (BK/BU)</p> <p style="text-align: center;">E18 Interior lamp, front</p>	<p style="text-align: center;"><b>C894</b></p> <p style="text-align: center;"><b>12A522</b></p> <p style="text-align: center;">F06077</p>  <p>(6)      (6) (5)      (5) (4)      (4) (3)      (3) 15-RJ22 (GN/RD) (1)      (1)</p>
<p style="text-align: center;"><b>C891</b></p> <p style="text-align: center;"><b>14335</b></p> <p style="text-align: center;">F02009</p>  <p>31S-LC17 (BK/YE)      31-LC17 (BK)</p> <p style="text-align: center;">E19 Interior lamp, rear</p>	<p>(1) 8-PA23 (WH) 8-RJ17 (WH/VT) 9-RJ17B (BN/WH)</p> <p>(3) 91-RJ22 (BK/OG) 9-RJ22A (BN/BU)</p> <p>(4) 9-RJ22 (BN/BU) 9-RJ22B (BN/BU)</p> <p>(5) 8-RJ22 (WH/BU) 8-RJ22A (WH/BU)</p> <p>(6) 9-PA23 (BN) 9-RJ17 (BN/WH) 8-RJ17C (WH/VT)</p> <p style="text-align: center;">B22 Mass Air Flow (MAF) sensor</p>
<p style="text-align: center;"><b>C892</b></p> <p style="text-align: center;"><b>14335</b></p> <p style="text-align: center;">F01005</p>  <p>29-LC17 (OG/YE)</p> <p style="text-align: center;">E19 Interior lamp, rear</p>	

**C895**

**9H589**

F04162



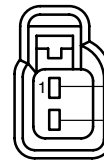
- |                     |                     |
|---------------------|---------------------|
| (1) 8-RJ40A (WH/GN) | (3) 8-RJ17A (WH/VT) |
| 9-RJ40A (BN/GN)     | 7-RJ40A (YE/GN)     |
| (2) 7-RJ40A (YE/GN) | (4) 9-RJ40A (BN/GN) |
| 8-RJ17A (WH/VT)     | 8-RJ40A (WH/GN)     |

B142  
Temperature manifold  
absolute pressure  
sensor

**C897**

**14K733**

F02058



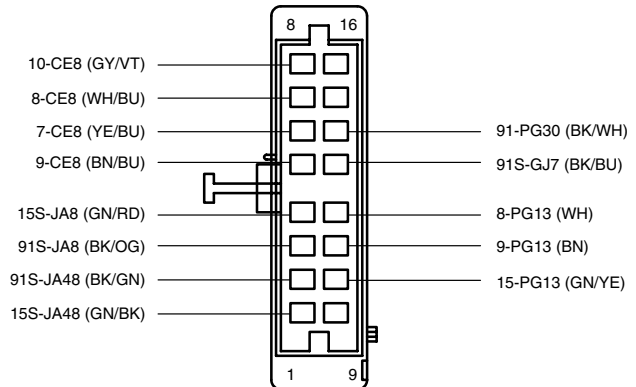
- 31-GL7 (BK)
- 31S-GL7 (BK/YE)

N21  
Engine compartment switch

**C898**

**14401**

F16008



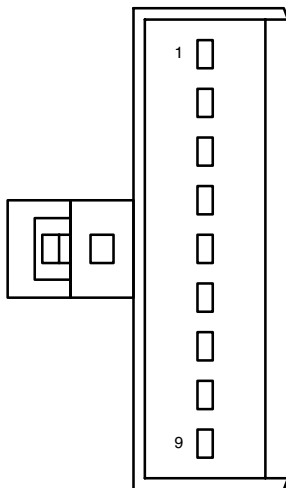
- 10-CE8 (GY/VT)
- 8-CE8 (WH/BU)
- 7-CE8 (YE/BU)
- 9-CE8 (BN/BU)
- 15S-JA8 (GN/RD)
- 91S-JA8 (BK/OG)
- 91S-JA48 (BK/GN)
- 15S-JA48 (GN/BK)
- 91-PG30 (BK/WH)
- 91S-GJ7 (BK/BU)
- 8-PG13 (WH)
- 9-PG13 (BN)
- 15-PG13 (GN/YE)

P13  
Clock spring

**C896**

**14401**

F09024



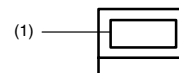
P13  
Clock spring

- |                      |                     |
|----------------------|---------------------|
| (1) 15S-JA48 (GN/BK) | (6) 91S-GJ7 (BK/BU) |
| (2) 91S-JA48 (BK/GN) | (7) 91-PG30 (BK/WH) |
| (3) 15-PG13 (GN/YE)  | (8) 91S-JA8 (BK/OG) |
| (4) 9-PG13 (BN)      | (9) 15S-JA8 (GN/RD) |
| (5) 8-PG13 (WH)      |                     |

**C899**

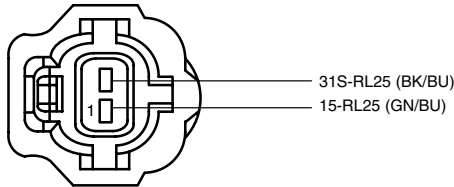

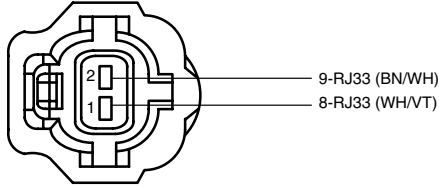
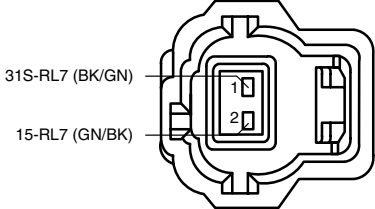
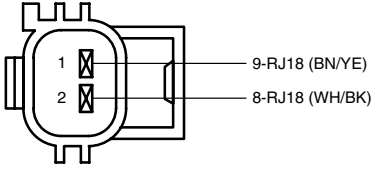
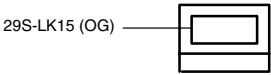
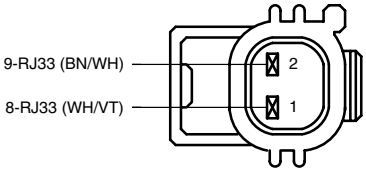
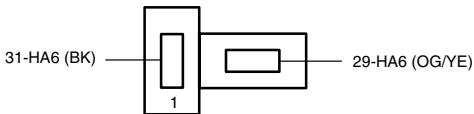
**14335**

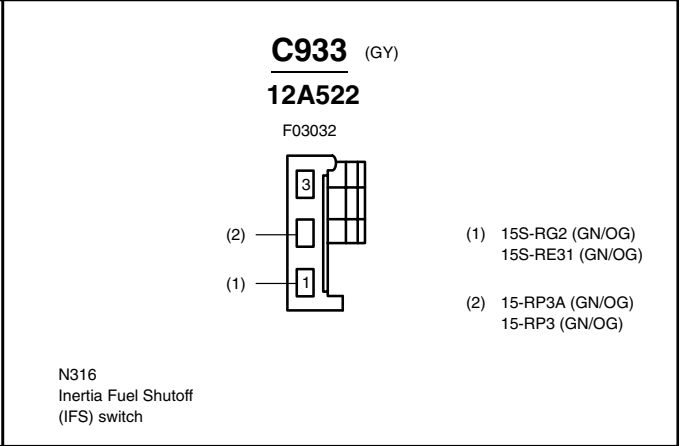
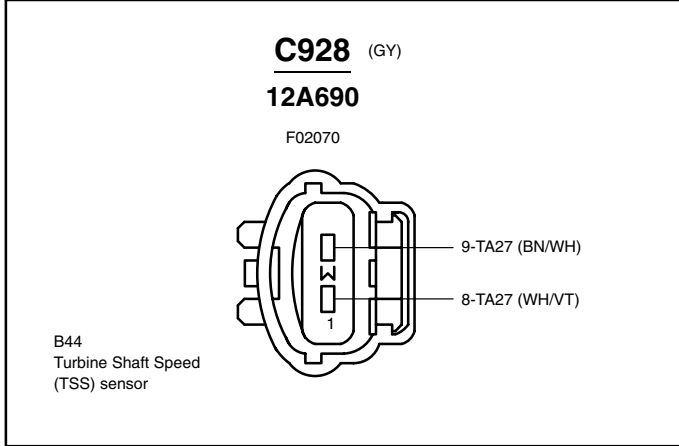
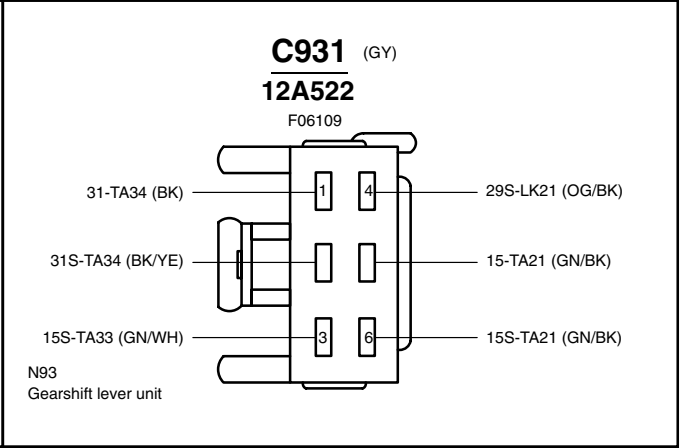
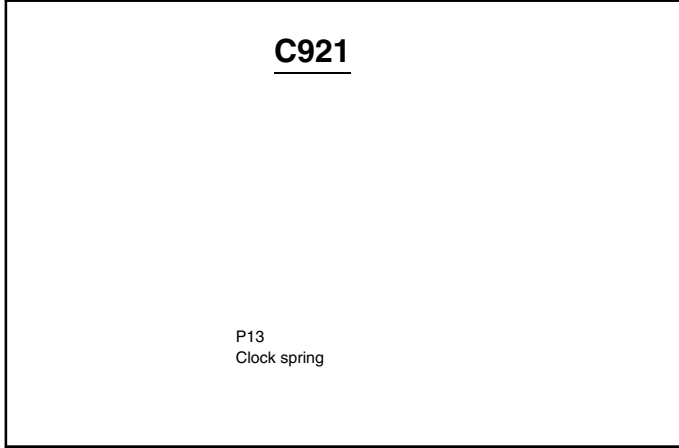
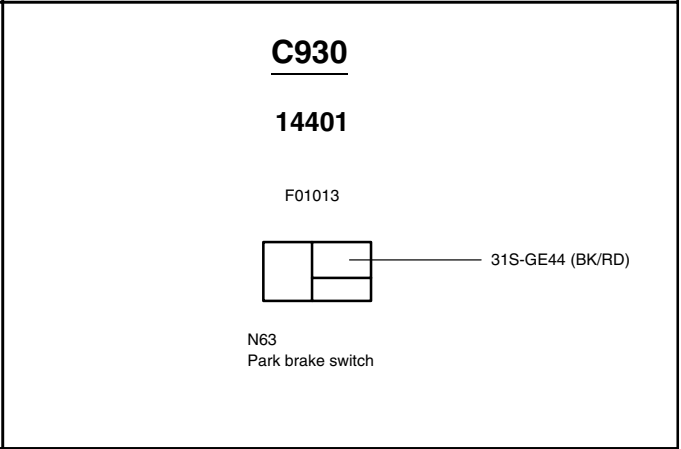
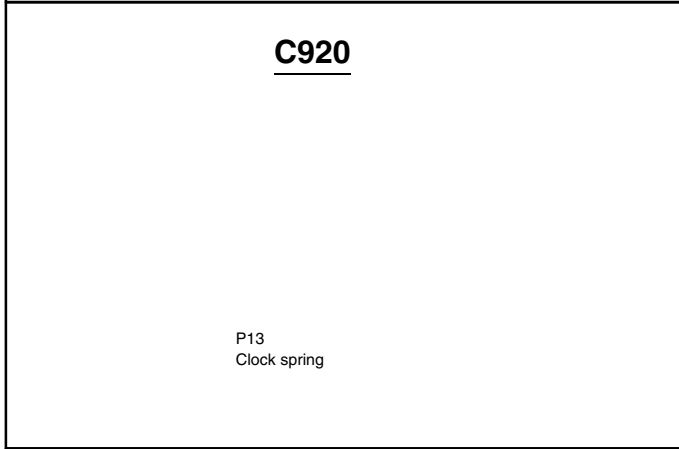
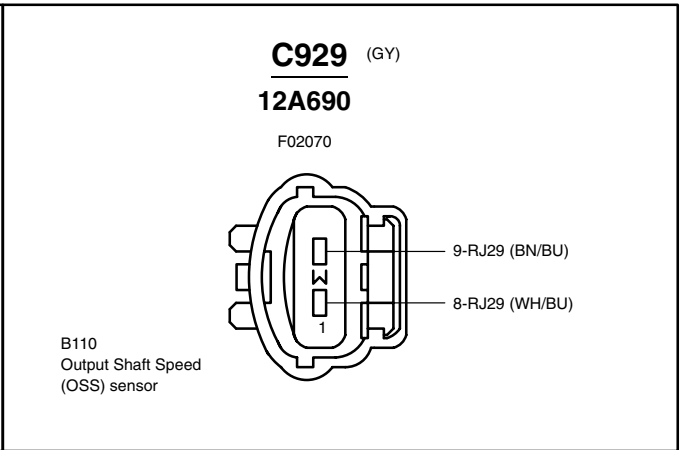
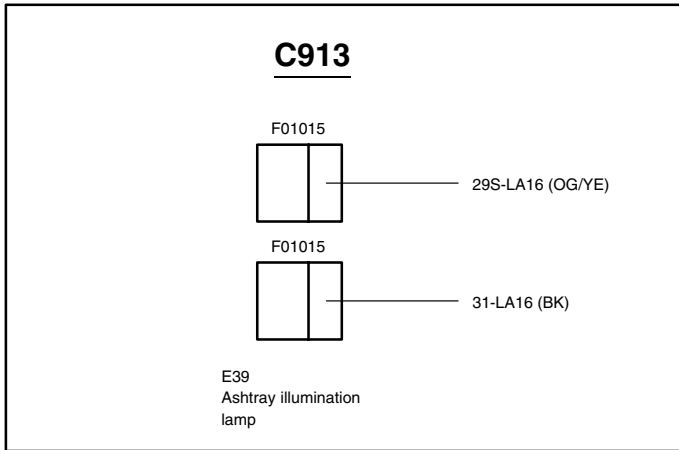
F01005



- (1) 29-LC7A (OG/BU)
- 29-LC7 (OG/BU)
- 29-LB6 (OG/YE) +
- 29-LC7A (OG/BU)

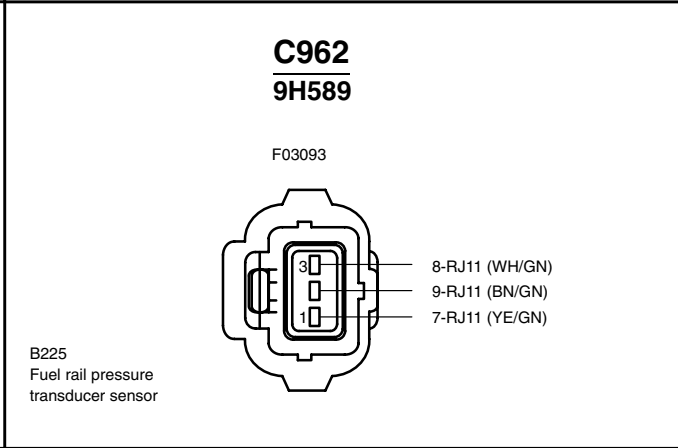
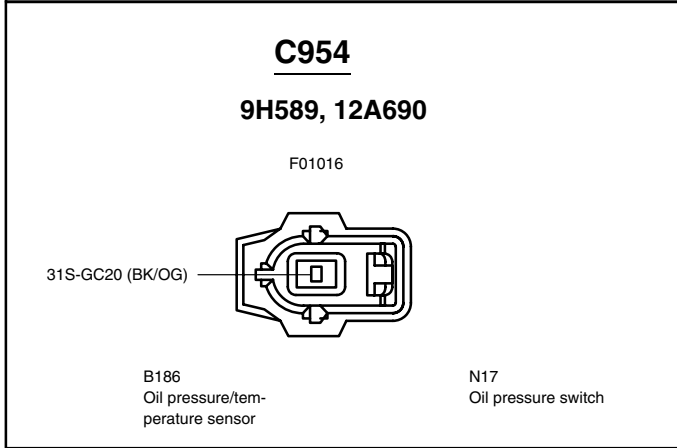
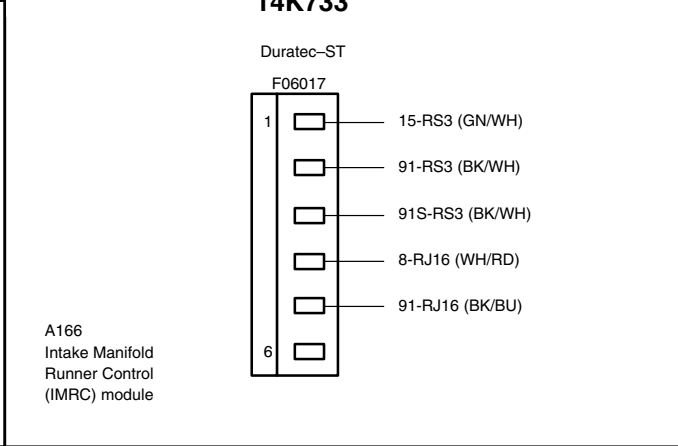
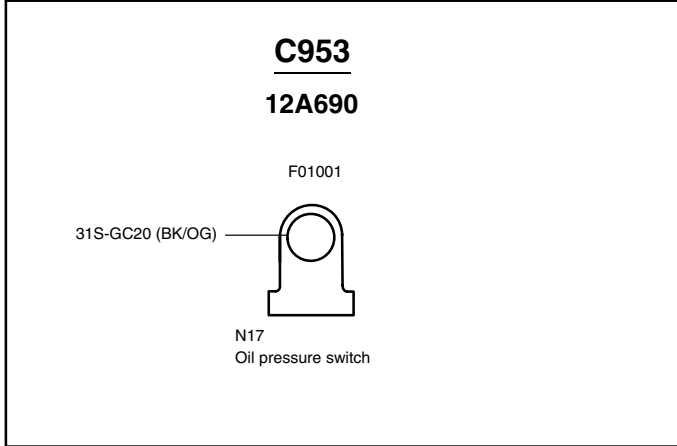
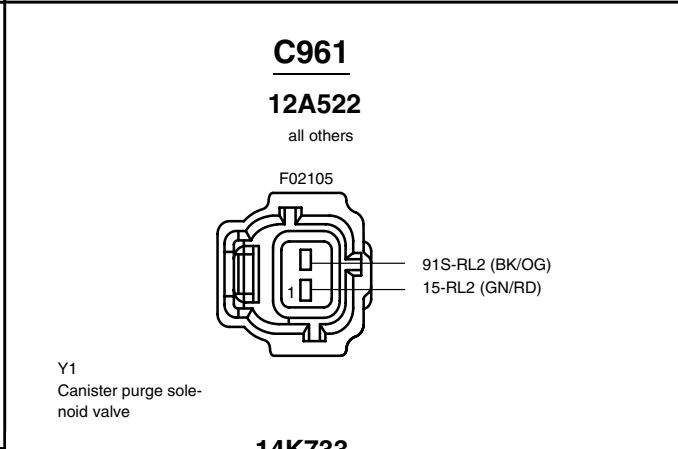
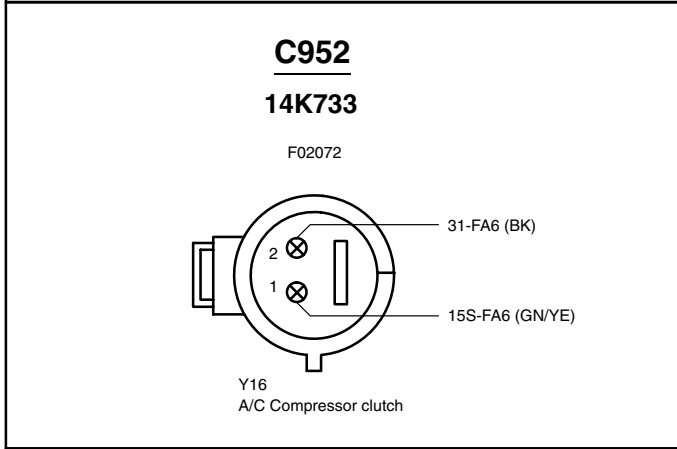
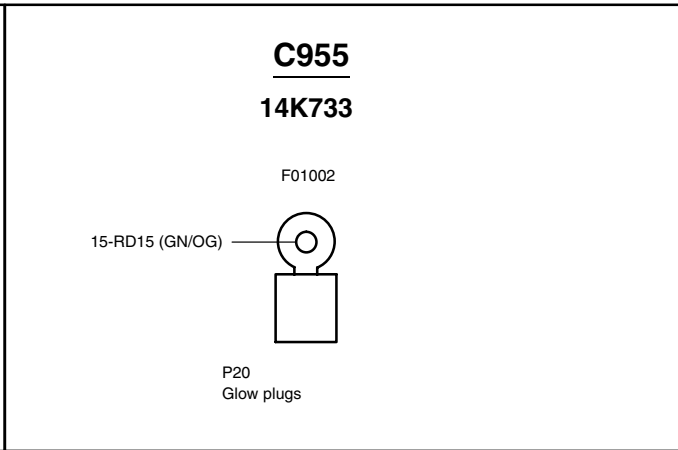
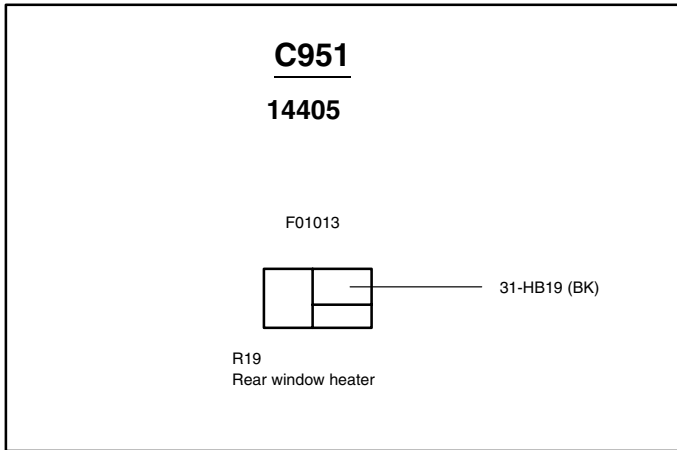
E18  
Interior lamp, front

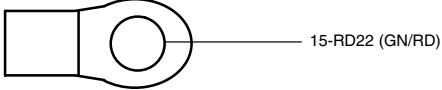
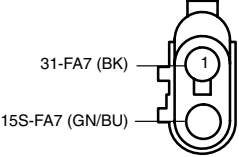
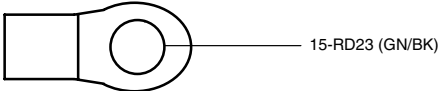
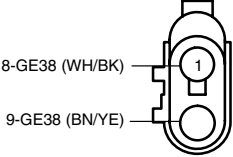
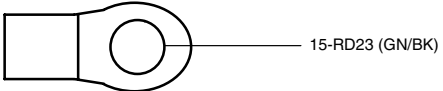
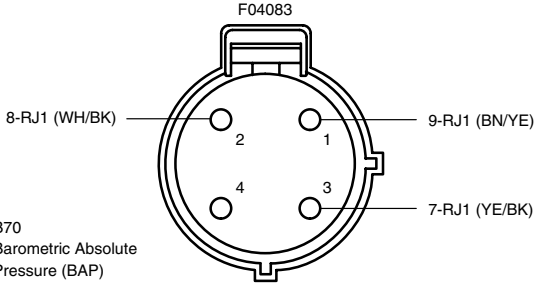
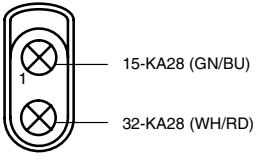
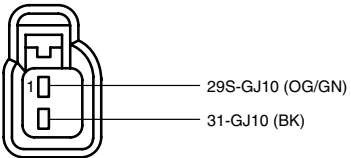
<p style="text-align: center;"><b>C900</b> <b>12A522</b> F02027</p>  <p>Y131 Evaporative emission (EVAP) canister vent valve</p>	<p style="text-align: center;"><b>C905</b> (BK) <b>14401</b>      <b>14401</b> F01008      F01015</p>  <p>15S-LE29 (GN/BK)      15S-LE29A (GN/BK)</p>
<p style="text-align: center;"><b>C902</b> <b>9H589</b> F02027</p>  <p>B135 Cylinder-head tempera- ture sensor</p>	<p style="text-align: center;"><b>C908</b> <b>12A522</b> F02200</p>  <p>Y33 Electr. Vacuum Regulator (EVR) so- lenoid valve</p>
<p style="text-align: center;"><b>C903</b> <b>12A690</b> F02066</p>  <p>B45 Knock sensor</p>	<p style="text-align: center;"><b>C911</b> (OG) <b>14401</b> F01005</p>  <p>R42 Cigar lighter, front</p>
<p style="text-align: center;"><b>C904</b> (GY) <b>9H589, 12A690</b> F02064</p>  <p>B135 Cylinder-head tem- perature sensor</p>	<p style="text-align: center;"><b>C912</b> (OG) <b>14401</b> F02009</p>  <p>R42 Cigar lighter, front</p>

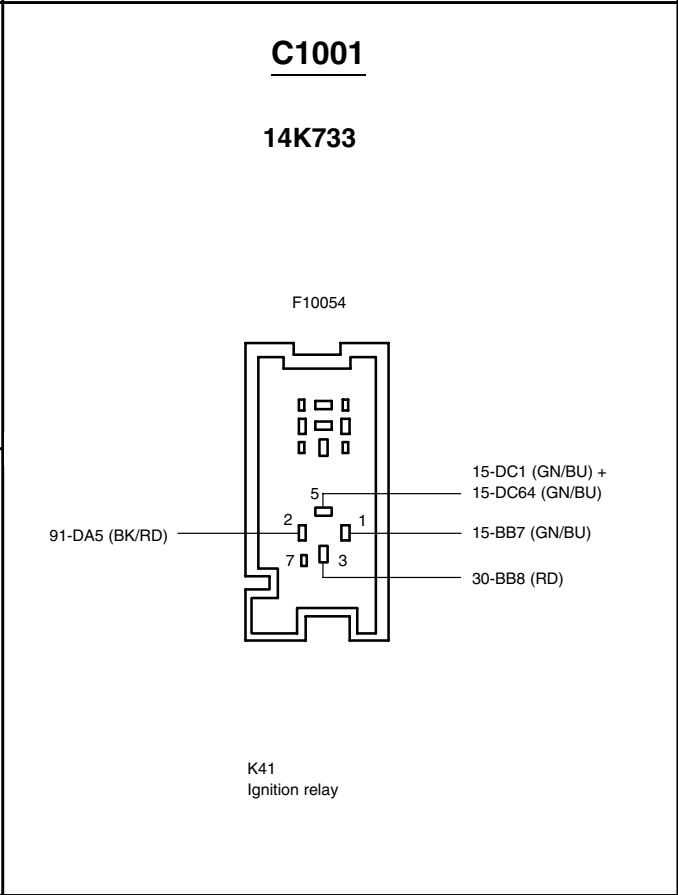
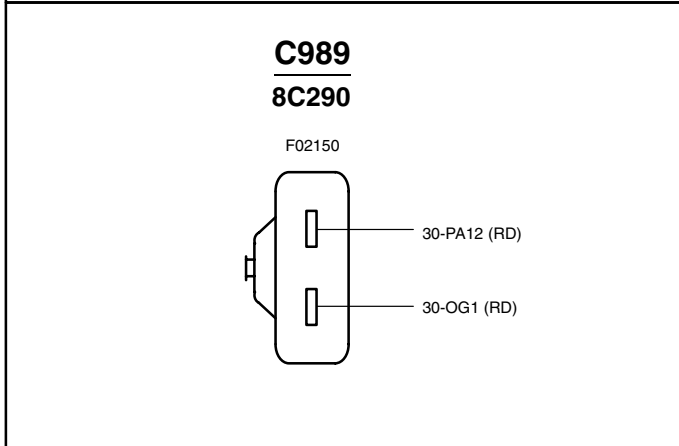
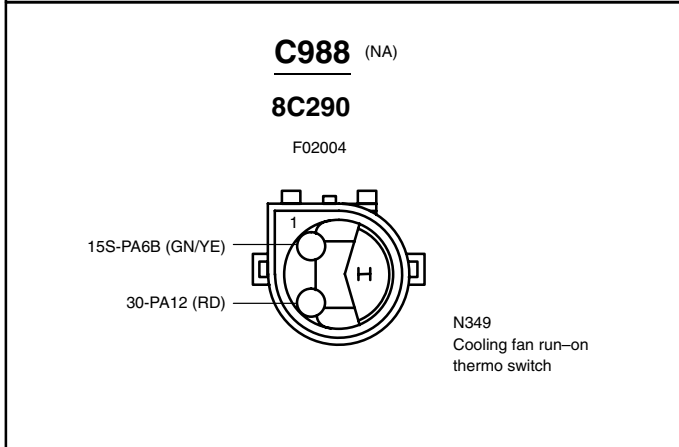
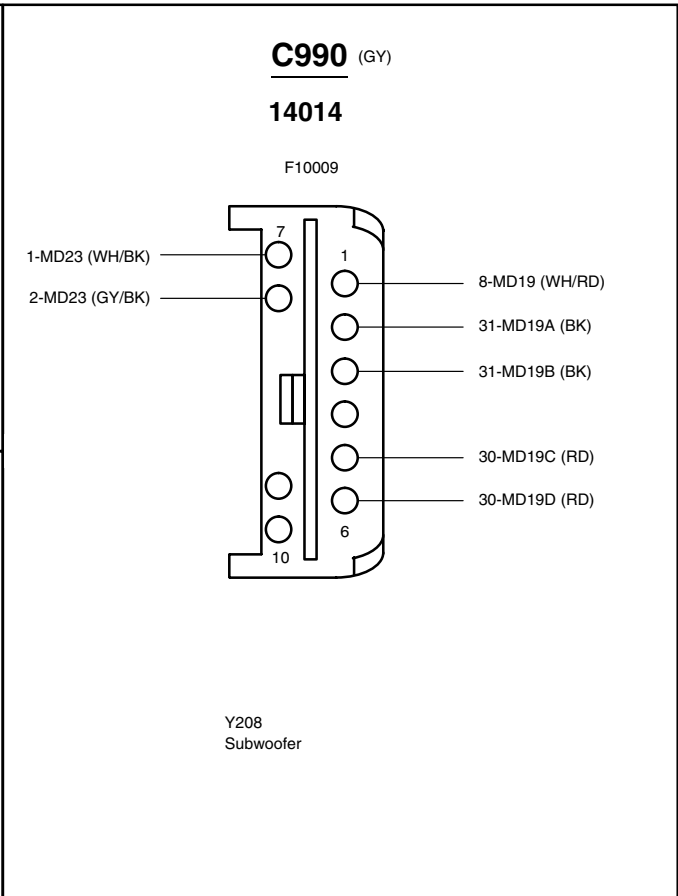
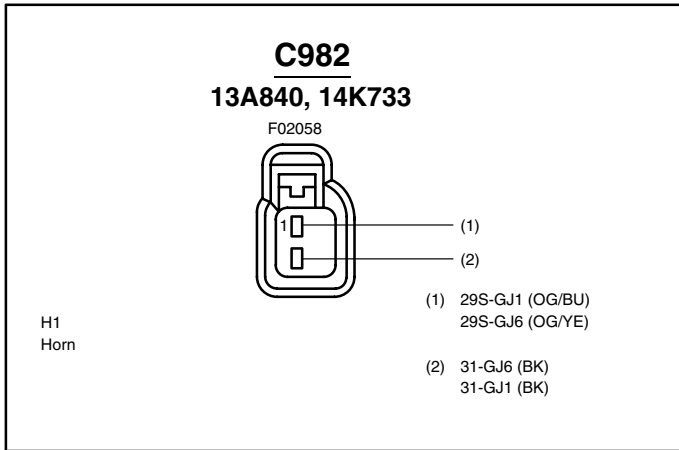




<p style="text-align: center;"><b>C934</b> (GN) <b>12A522, 12A690</b></p> <p style="text-align: center;">F04124</p> <p style="text-align: center;">B89 Pre-catalyst heated oxygen sensor (HO2S)</p> <p>(1) 15-RJ14 (GN/YE) 15-RJ14A (GN/YE)</p> <p>(3) 9-RJ14 (BN) 9-RJ14A (BN)</p>	<p style="text-align: center;"><b>C939</b> <b>14014, 14A584</b></p> <p style="text-align: center;">F02058</p> <p style="text-align: center;">Y17 Left rear speaker</p> <p>(1) 8-MD11 (WH/VT) 8-MD29 (WH/VT)</p> <p>(2) 10-MD11 (GY/WH) 10-MD29 (GY/WH)</p>
<p style="text-align: center;"><b>C935</b> (BU) <b>9H589, 12A522</b></p> <p style="text-align: center;">F04082</p> <p style="text-align: center;">B90 Post-catalyst heated oxygen sen- sor (HO2S)</p> <p>15-RJ15 (GN/BU)</p> <p>9-RJ15 (BN/RD)</p> <p>8-RJ15 (WH/RD)</p> <p>91S-RJ15 (BK/BU)</p>	<p style="text-align: center;"><b>C940</b> <b>14014, 14A584</b></p> <p style="text-align: center;">F02058</p> <p style="text-align: center;">Y19 Right rear speaker</p> <p>(1) 8-MD18 (WH) 8-MD29 (WH/VT)</p> <p>(2) 10-MD18 (GY) 10-MD29 (GY/WH)</p>
<p style="text-align: center;"><b>C937</b> <b>14A584</b></p> <p style="text-align: center;">F02058</p> <p style="text-align: center;">Y28 Left front speaker</p> <p>(1) 8-MD28 (WH) 10-MD28 (GY)</p> <p>(2) 10-MD28 (GY) 8-MD28 (WH)</p>	<p style="text-align: center;"><b>C949</b> <b>14A584</b></p> <p style="text-align: center;">F01013</p> <p style="text-align: center;">R19 Rear window heater</p> <p>15S-HB19 (GN/BU)</p>
<p style="text-align: center;"><b>C938</b> <b>14A584</b></p> <p style="text-align: center;">F02058</p> <p style="text-align: center;">Y18 Right front speaker</p> <p>(1) 8-MD28 (WH) 10-MD28 (GY)</p> <p>(2) 10-MD28 (GY) 8-MD28 (WH)</p>	<p style="text-align: center;"><b>C950</b> <b>14A584</b></p> <p style="text-align: center;">F01013</p> <p style="text-align: center;">R19 Rear window heater</p> <p>15S-HB19 (GN/BU)</p>

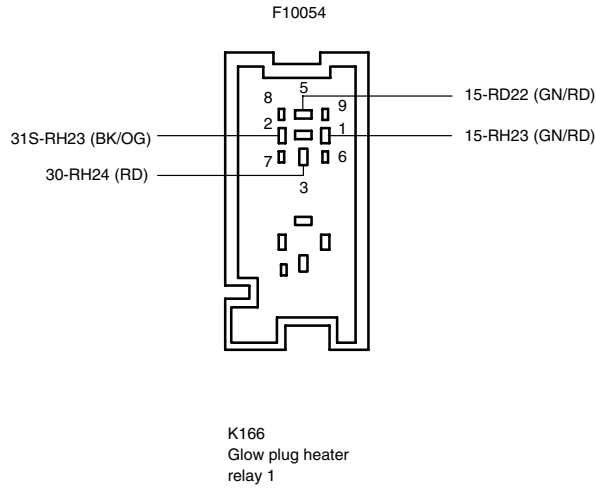


<p style="text-align: center;"><b>C965</b></p> <p style="text-align: center;"><b>14K733</b></p> <p style="text-align: center;">F01014</p>  <p style="text-align: center;">R55 Auxiliary electric coolant heater</p>	<p style="text-align: center;"><b>C972</b></p> <p style="text-align: center;"><b>14K733</b></p> <p style="text-align: center;">F02005</p>  <p style="text-align: center;">V7 A/C compressor clutch diode</p>
<p style="text-align: center;"><b>C966</b></p> <p style="text-align: center;"><b>14K733</b></p> <p style="text-align: center;">F01014</p>  <p style="text-align: center;">R55 Auxiliary electric coolant heater</p>	<p style="text-align: center;"><b>C974</b></p> <p style="text-align: center;"><b>14K733</b></p> <p style="text-align: center;">F02005</p>  <p style="text-align: center;">B29 Ice warning sensor</p>
<p style="text-align: center;"><b>C967</b></p> <p style="text-align: center;"><b>9H589/14K733</b></p> <p style="text-align: center;">F01014</p>  <p style="text-align: center;">R55 Auxiliary electric coolant heater</p> <p style="text-align: center;">Y130 Camshaft timing ac- tuator</p>	<p style="text-align: center;"><b>C975</b> (BK)</p> <p style="text-align: center;"><b>12A522</b></p> <p style="text-align: center;">F04083</p>  <p style="text-align: center;">B70 Barometric Absolute Pressure (BAP) sensor</p>
<p style="text-align: center;"><b>C971</b></p> <p style="text-align: center;"><b>14405, 14A584</b></p> <p style="text-align: center;">F02007</p>  <p style="text-align: center;">M9 Rear window wiper motor</p>	<p style="text-align: center;"><b>C981</b></p> <p style="text-align: center;"><b>13A840</b></p> <p style="text-align: center;">F02058</p>  <p style="text-align: center;">H4 Second horn</p>



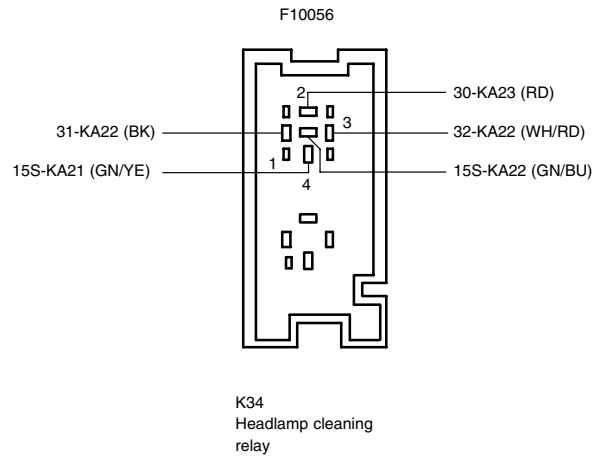
**C1002**

**14K733**



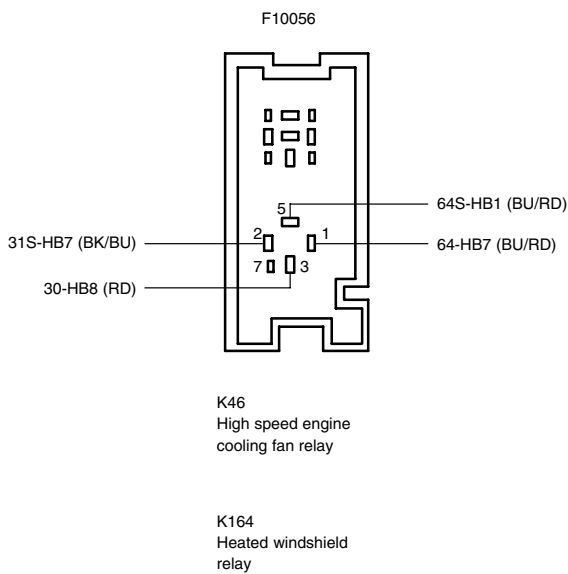
**C1004**

**14K733**



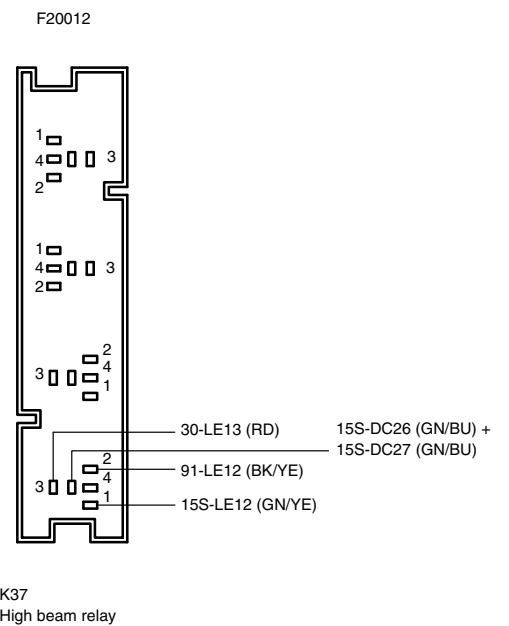
**C1003**

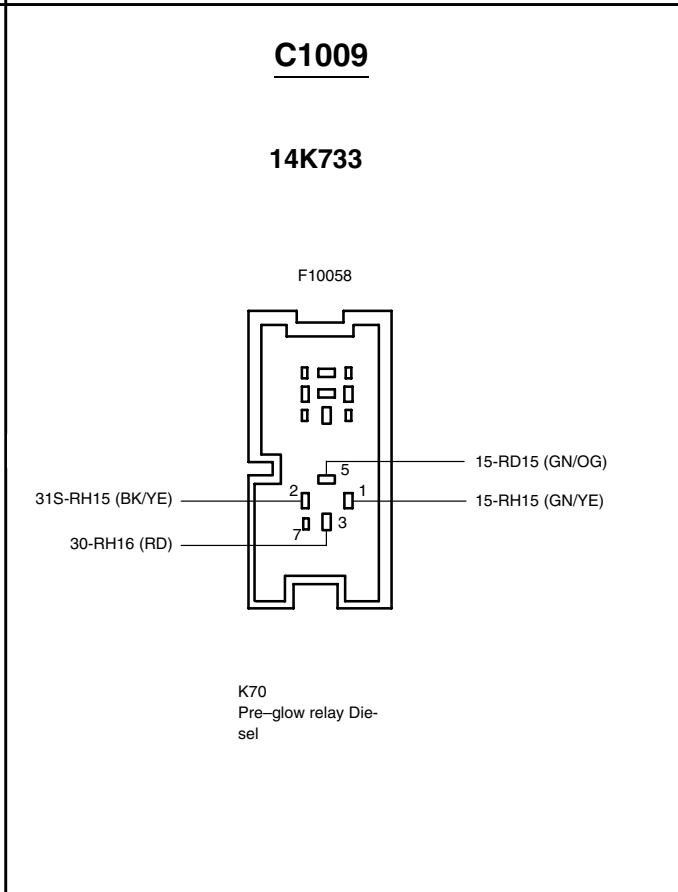
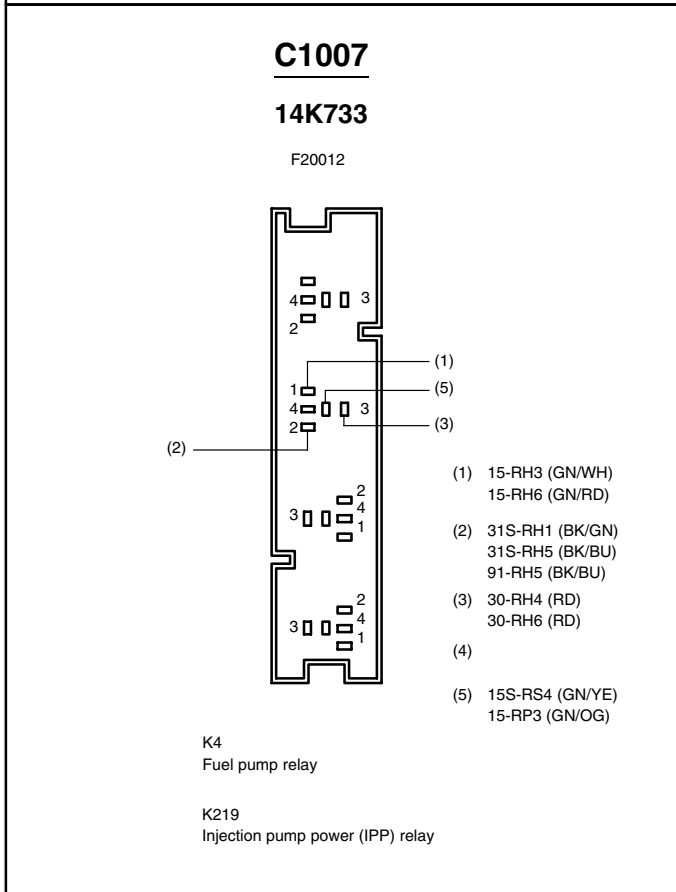
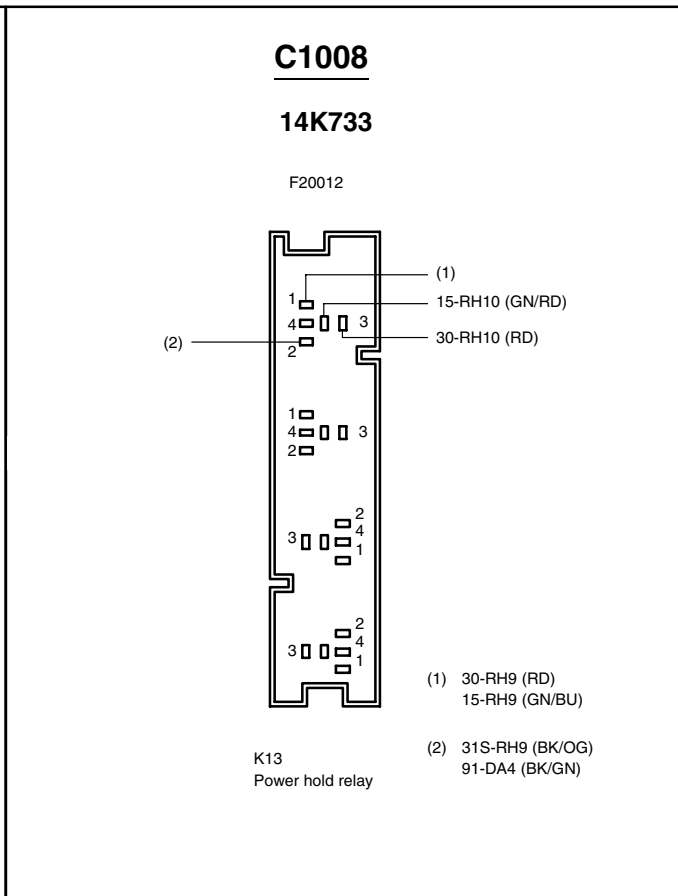
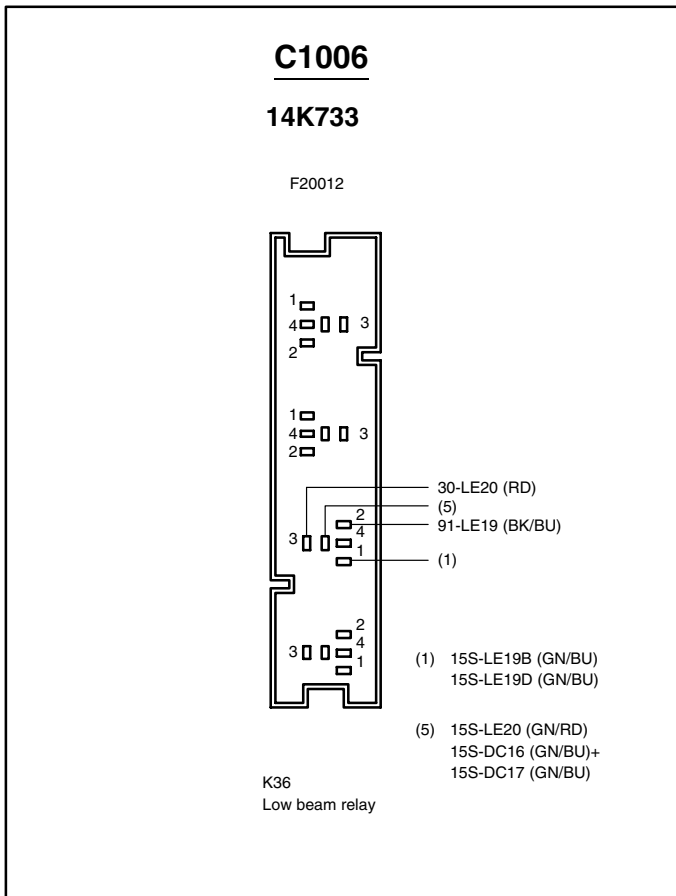
**14K733**

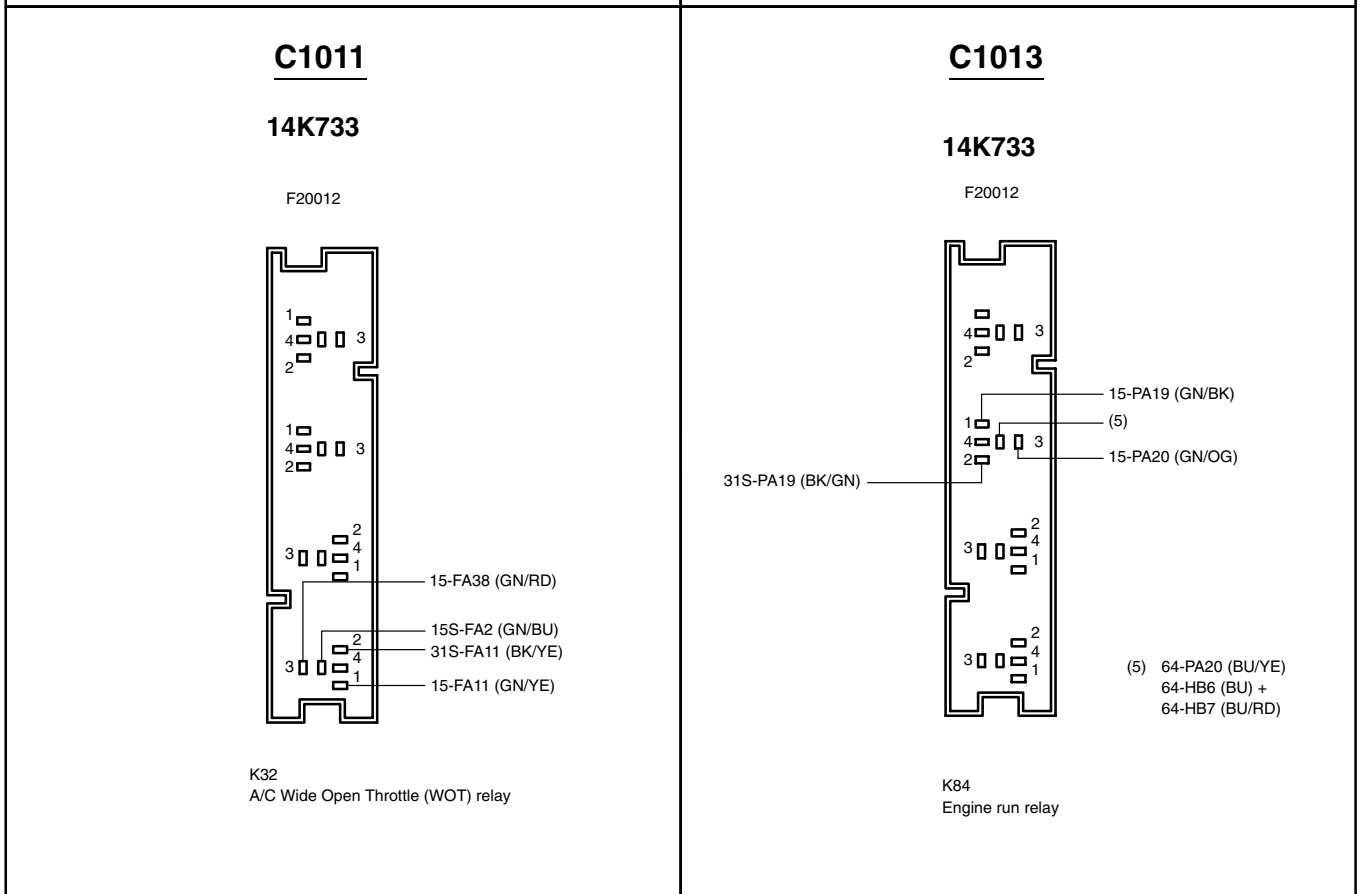
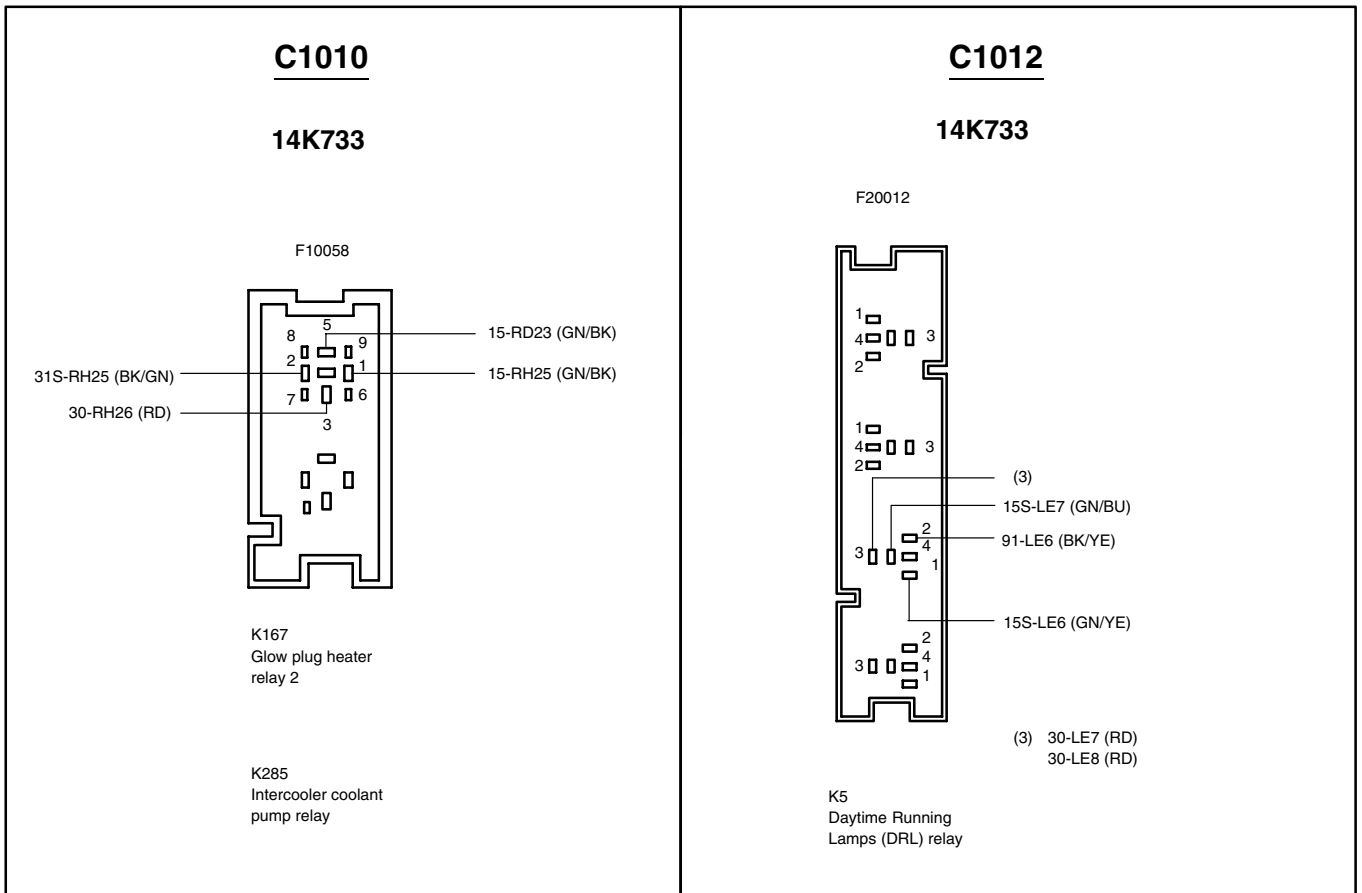


**C1005**

**14K733**

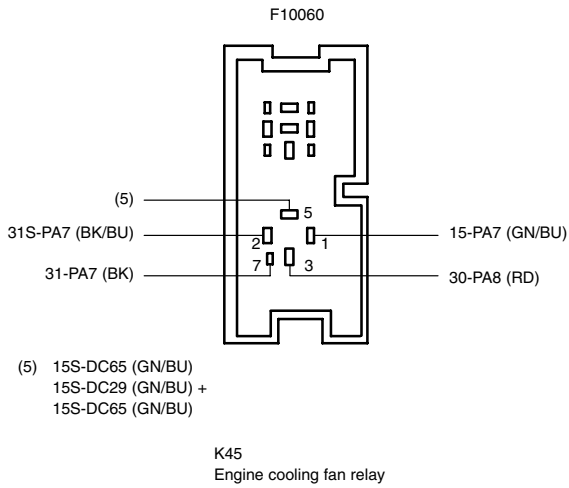






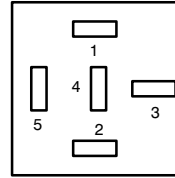
**C1015**

**14K733**



**C1017**

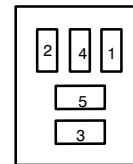
F05051



K22  
Starter relay

**C1018**

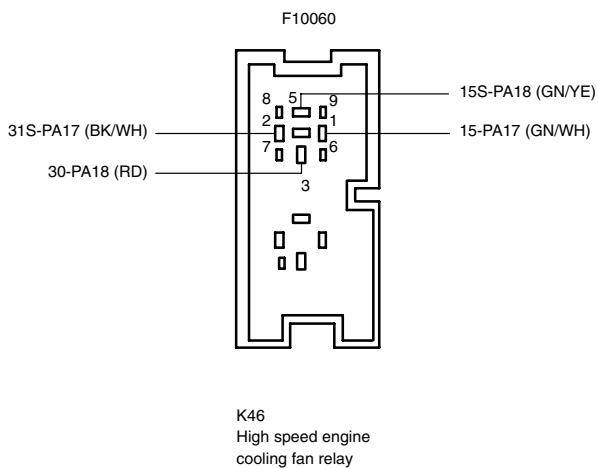
F05064



K64  
Rear wiper relay

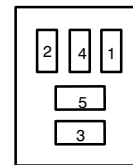
**C1016**

**14K733**



**C1019**

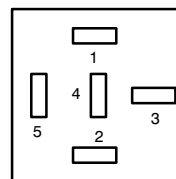
F05064



K162  
Windshield wiper relay

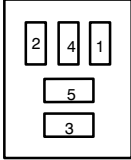
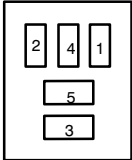
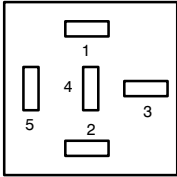
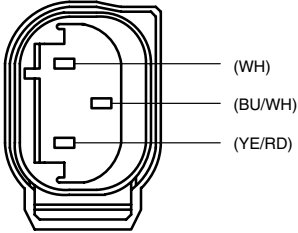
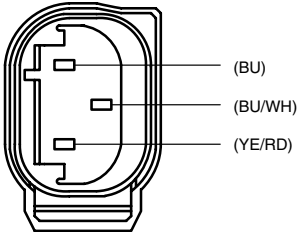
**C1020**

F05051



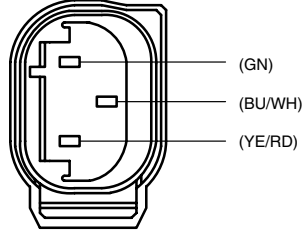
K160  
Cigar lighter relay



<p style="text-align: center;"><b><u>C1023</u></b></p> <p style="text-align: center;">F05064</p>  <p style="text-align: center;">K33 Horn relay</p>	<p style="text-align: center;"><b><u>C2000</u></b></p> <p>E1 Headlamp, LH side</p> <p>E181 High intensity discharge headlamp, LH side</p>
<p style="text-align: center;"><b><u>C1024</u></b></p> <p style="text-align: center;">F05064</p>  <p style="text-align: center;">K115 Battery saver relay</p>	<p style="text-align: center;"><b><u>C2001</u></b></p> <p>E7 Headlamp, RH side</p> <p>E182 High intensity discharge headlamp, RH side</p>
<p style="text-align: center;"><b><u>C1025</u></b></p> <p style="text-align: center;">F05051</p>  <p style="text-align: center;">K1 Rear window heater relay</p>	<p style="text-align: center;"><b><u>C2002</u></b></p> <p style="text-align: center;">F03110</p>  <p>B168 Parking aid sensor, rear, outer left</p>
<p style="text-align: center;"><b><u>C1026</u></b></p>	<p style="text-align: center;"><b><u>C2003</u></b></p> <p style="text-align: center;">F03110</p>  <p>B169 Parking aid sensor, rear, inner left</p>

**C2004**

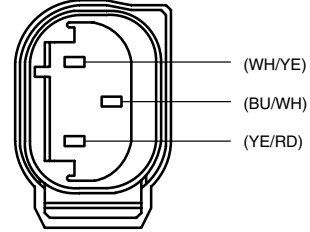
F03110



B170  
Parking aid sensor, rear,  
inner right

**C2005**

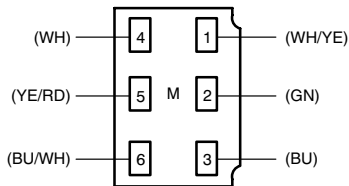
F03110



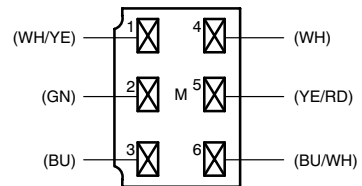
B171  
Parking aid sensor, rear,  
outer right

**C2006 (WH)**

F06106

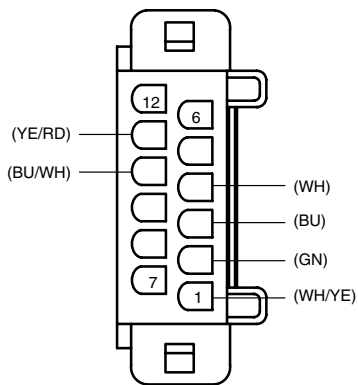


F06107



**C2007 (BK)**

F12042

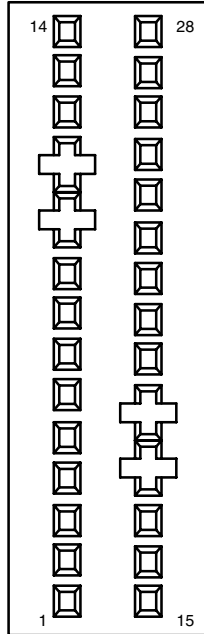


A265  
Parking aid module

**C2008**

(BK)

F28005



- |             |              |
|-------------|--------------|
| (1) (BN)    | (15)         |
| (2) (BN/RD) | (16)         |
| (3)         | (17)         |
| (4)         | (18) (RD)    |
| (5)         | (19)         |
| (6)         | (20)         |
| (7)         | (21)         |
| (8)         | (22)         |
| (9) (VT/WH) | (23) (BK/WH) |
| (10) (BN)   | (24) (PK)    |
| (11)        | (25) (PK)    |
| (12) (GY)   | (26) (GY)    |
| (13) (BK)   | (27)         |
| (14) (VT)   | (28)         |

A265  
Parking aid module

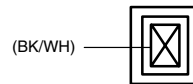
**C2009**

(BK)

F01005

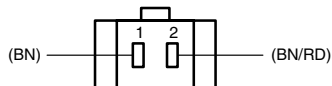


F01008



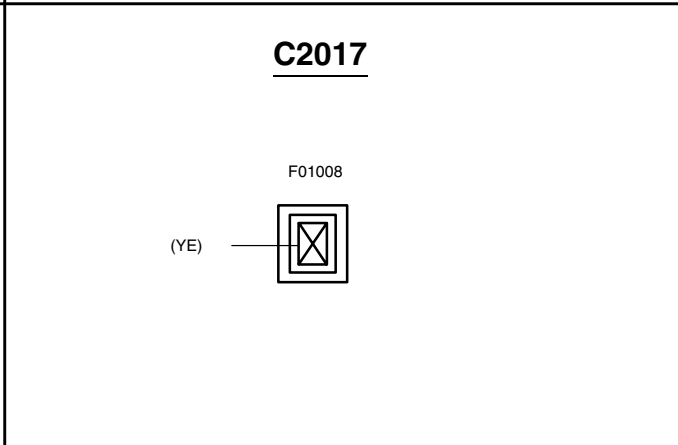
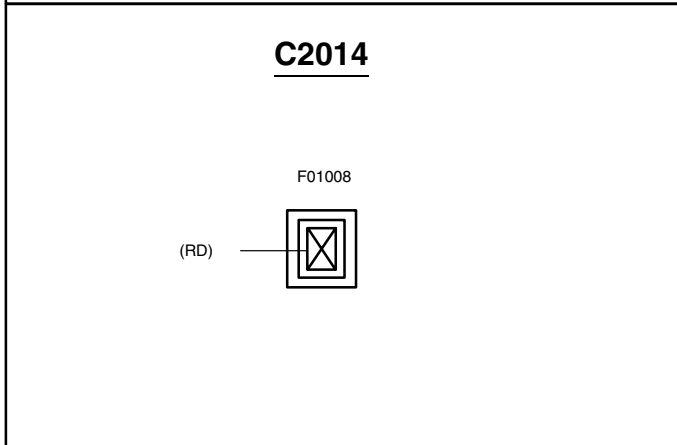
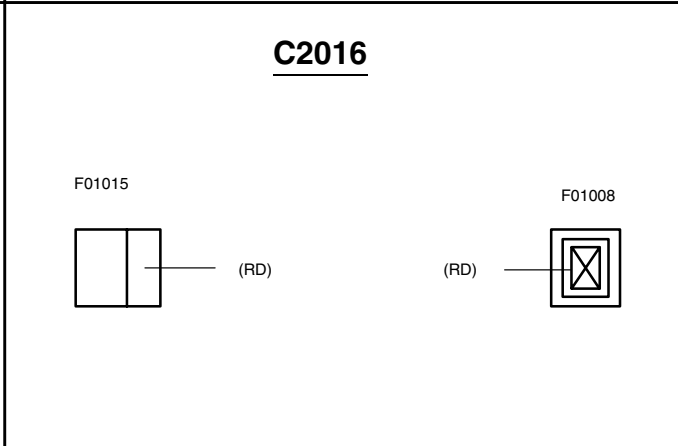
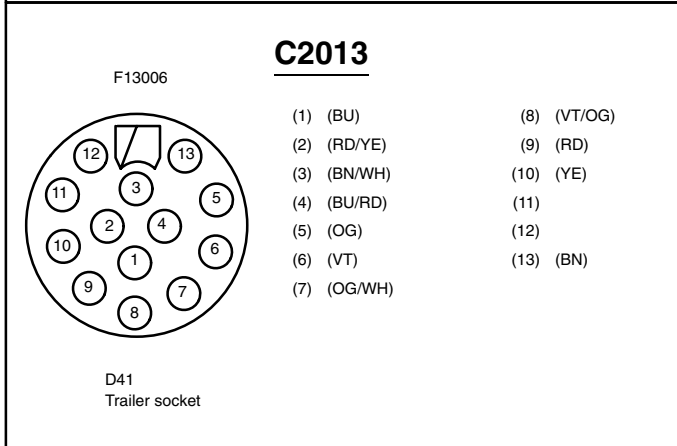
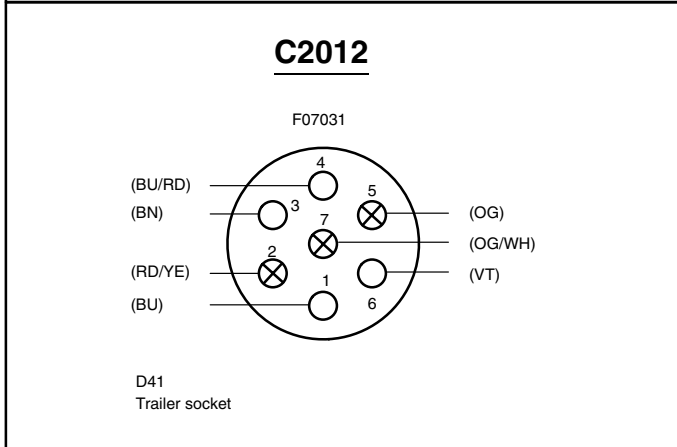
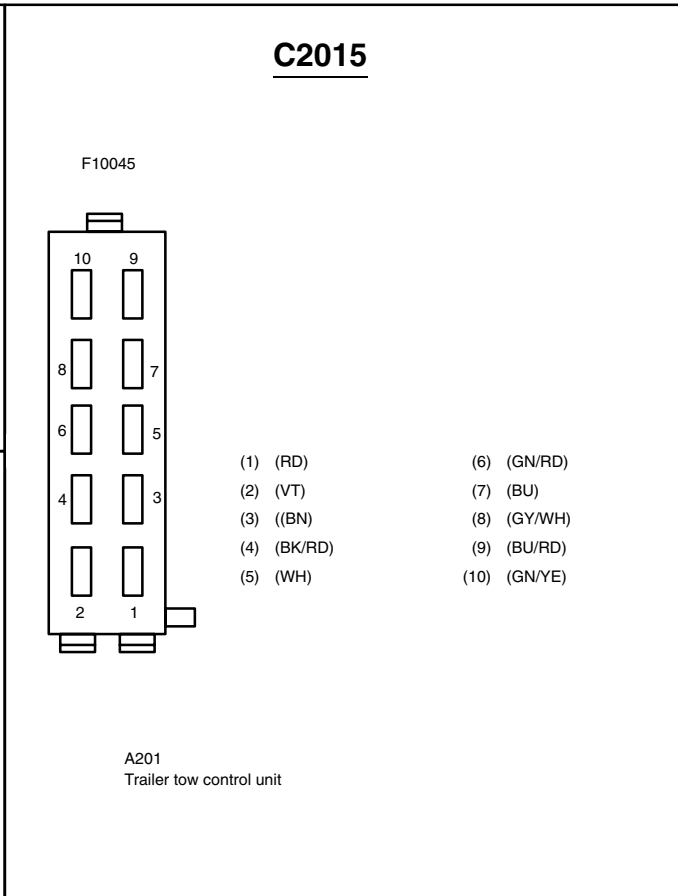
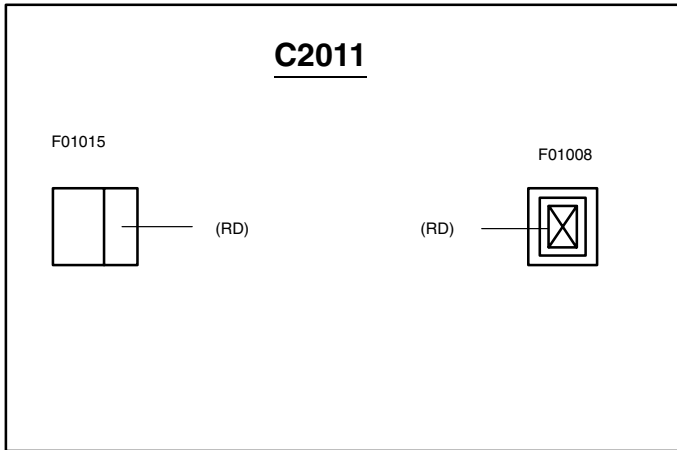
**C2010** (BK)

F02036

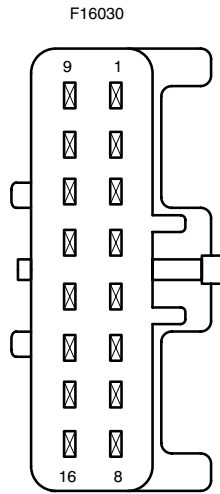


F02036



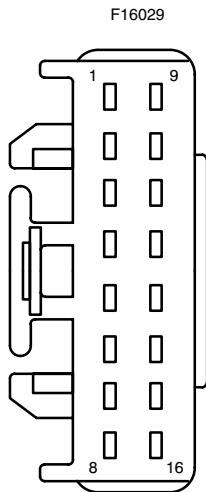


**C2018**



- |             |           |
|-------------|-----------|
| (1) (GN/YE) | (9) (GN)  |
| (2) (GY/WH) | (10) (GN) |
| (3) (OG)    | (11) (GN) |
| (4) (OG/WH) | (12) (GN) |
| (5) (BK/RD) | (13) (GN) |
| (6) (VT/OG) | (14) (GN) |
| (VT/YE)     | (15) (GN) |
| (7) (VT/YE) | (16) (GN) |
| (GN)        |           |
| (8) (GN)    |           |

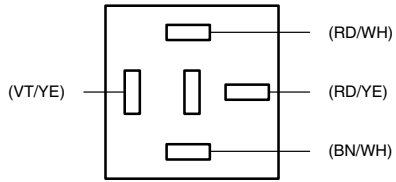
**C2019**



- |                       |           |
|-----------------------|-----------|
| (1) (GN/RD)           | (8) (GN)  |
| (2) (WH)              | (9) (GN)  |
| (3) (OG) + (OG)       | (10) (GN) |
| (4) (OG/WH) + (OG/WH) | (11) (GN) |
| (5) (BK/RD) + (BK/RD) | (12) (GN) |
| (6) (VT/OG)           | (13) (GN) |
| (RD/WH)               | (14) (GN) |
| (VT/OG) + (VT/OG)     | (15) (GN) |
| (7) (GN)              | (16) (GN) |
| (RD/WH)               |           |

**C2020**

F05051



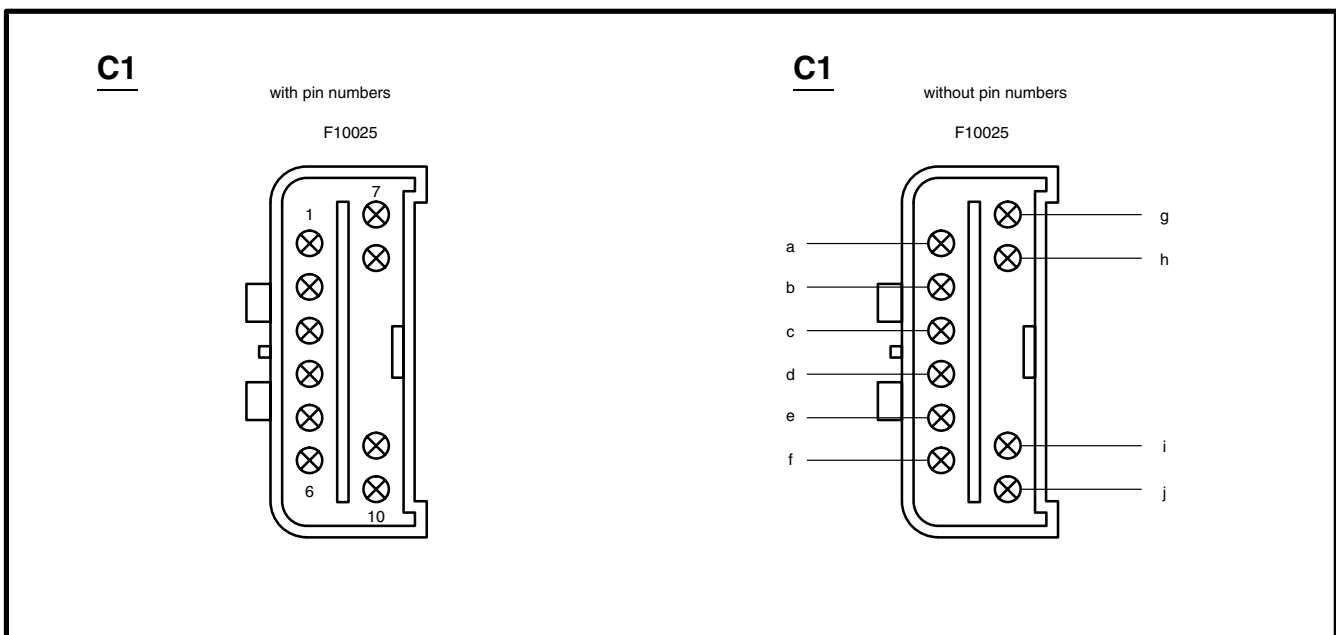
K125  
Rear fog lamp cutoff relay



Component testing procedures are provided to determine whether a component is good or bad.

Testing information for each component includes a schematic, a view of the terminal locations and step-by-step test procedures. Terminal locations are identified by numbers or letters that may be on the component or next to it.

### Terminal locations

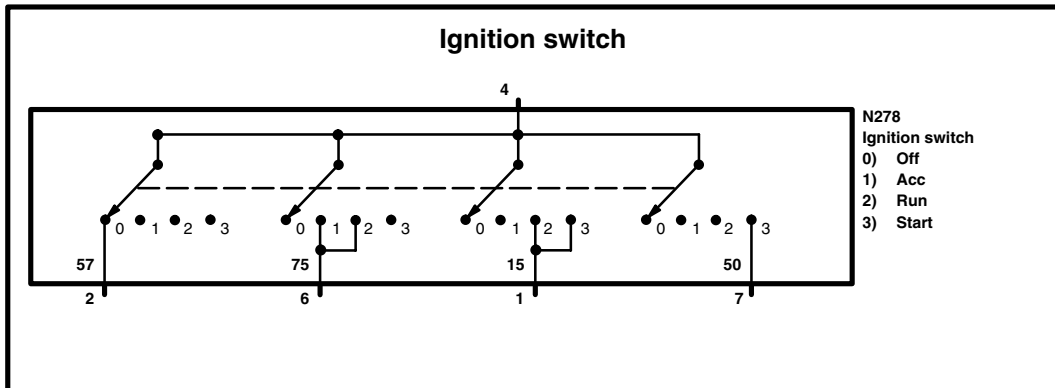


The component connector **MUST BE REMOVED** before testing. To test a single circuit within the component, select that circuit under the column "Circuit to test". If you wish to test the complete component, perform all tests.

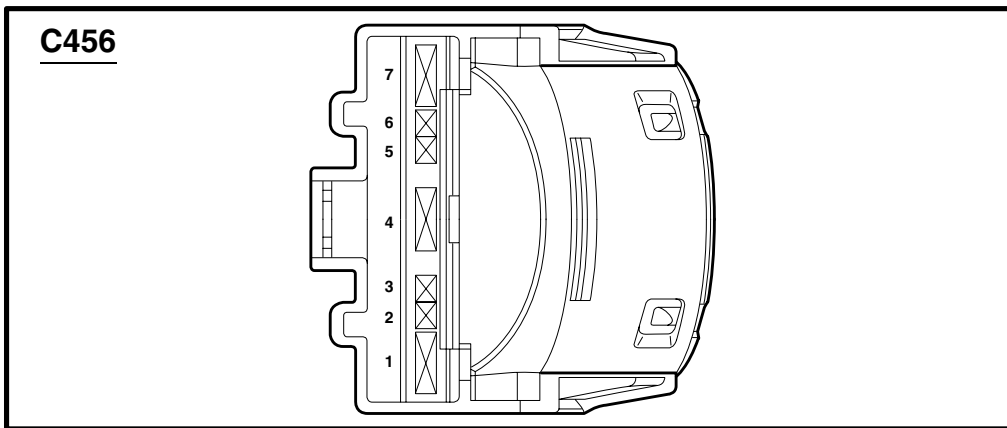
Connect the tester to the terminals shown in the second column and operate the component as shown in the third column.



Schematic



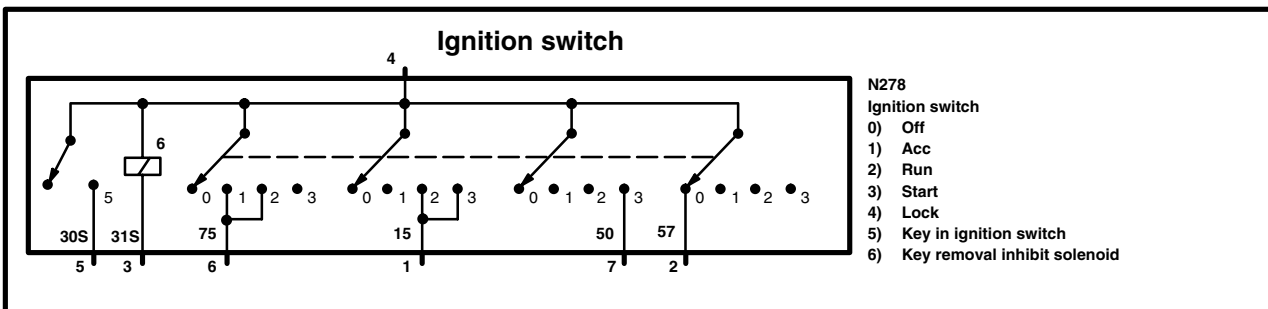
Terminal locations



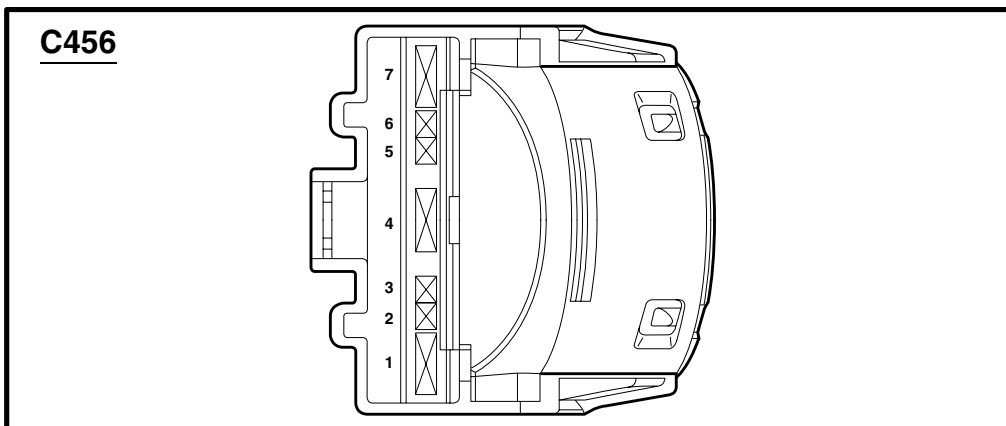
Component testing procedure

Circuit to test	Connect self-powered test light or ohmmeter to terminals	Move key to these positions	A good switch will indicate
Starter relay circuit	4 and 7	Off	Open circuit
		Acc	Open circuit
		Run	Open circuit
		Start	Closed circuit
Run power circuit	4 and 1	Off	Open circuit
		Acc	Open circuit
		Run	Closed circuit
		Start	Closed circuit
Acc power circuit	4 and 6	Off	Open circuit
		Acc	Closed circuit
		Run	Closed circuit
		Start	Open circuit
Parking lights circuit	4 and 2	Off	Closed circuit
		Acc	Open circuit
		Run	Open circuit
		Start	Open circuit

Schematic



Terminal locations



Component testing procedure

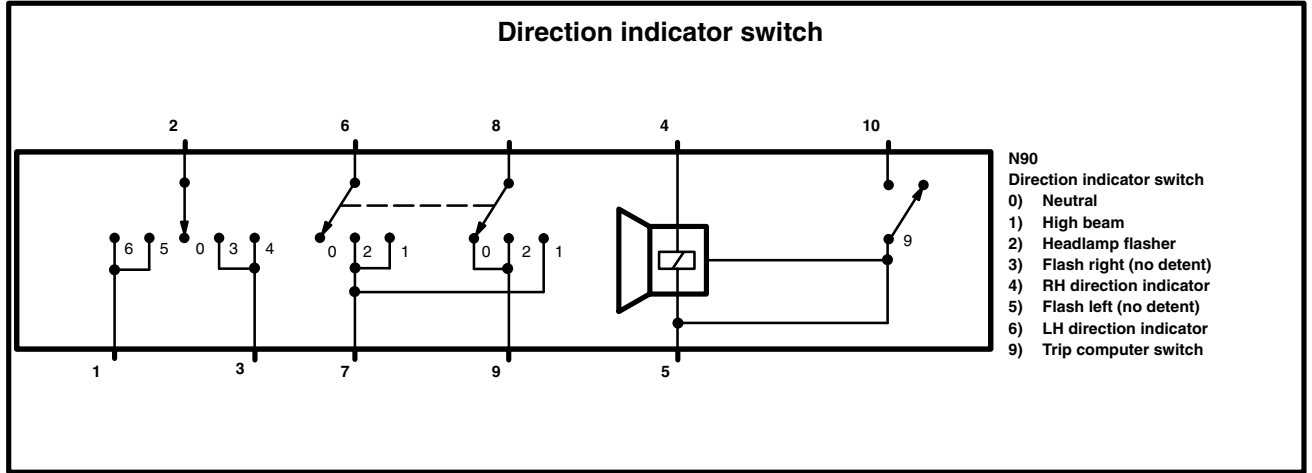
Circuit to test	Connect self-powered test light or ohmmeter to terminals	Move key to these positions	A good switch will indicate
Starter relay circuit	4 and 7	Off	Open circuit
		Acc	Open circuit
		Run	Open circuit
		Start	Closed circuit
Run power circuit	4 and 1	Off	Open circuit
		Acc	Open circuit
		Run	Closed circuit
		Start	Closed circuit
Acc power circuit	4 and 6	Off	Open circuit
		Acc	Closed circuit
		Run	Closed circuit
		Start	Open circuit
Parking lights circuit	4 and 2	Off	Open circuit
		Acc	Closed circuit
		Run	Closed circuit
		Start	Open circuit
Key reminder circuit	4 and 5	Key In	Closed circuit
		Key Out	Open circuit
Key removal inhibit circuit	4 and 3		65 – 75Ω



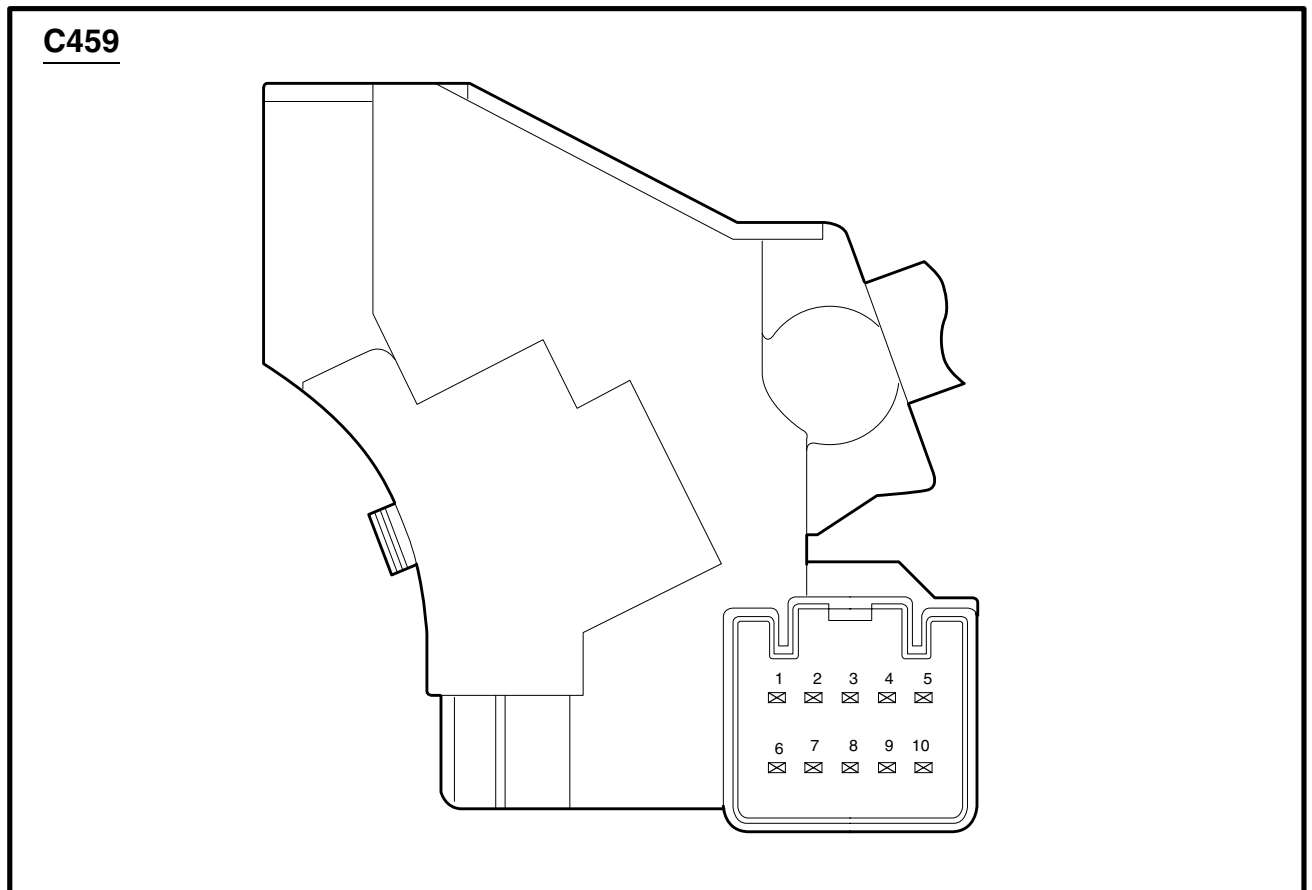
## Component testing procedure

<b>Circuit to test</b>	<b>Connect self-powered test light or ohmmeter to terminals</b>	<b>Move switch to these positions</b>	<b>A good switch will indicate</b>
<b>Parking Lamps</b>	12 and 13	Parking lamps	Closed circuit
		Off	Open circuit
		Park	Open circuit
		Low beam	Open circuit
<b>Parking Lamps</b>	11 and 13	Parking lamps	Open circuit
		Off	Open circuit
		Park	Closed circuit
		Low beam	Closed circuit
	11 and 16	Parking lamps	Open circuit
		Off	Open circuit
		Park	Closed circuit
		Low beam	Closed circuit
	13 and 15	Parking lamps	Open circuit
		Off	Closed circuit
		Park	Open circuit
		Low beam	Open circuit
<b>Headlamps</b>	8 and 6	Parking lamps	Open circuit
		Off	Open circuit
		Park	Open circuit
		Low beam	Closed circuit
<b>Headlamps (Daytime Running Lamps)</b>	8 and 4	Parking lamps	Closed circuit
		Off	Closed circuit
		Park	Open circuit
		Low beam	Open circuit
<b>Headlamp levelling</b>	8 and 1	Parking lamps	Open circuit
		Off	Open circuit
		Park	Open circuit
		Low beam	Resistance
<b>Front fog lamps</b>	7 and 3	Off	Open circuit
		Front fog lamps	Closed circuit
		Rear fog lamps	Closed circuit
<b>Rear fog lamps</b>	7 and 2	Off	Open circuit
		Front fog lamps	Open circuit
		Rear fog lamps	Closed circuit

Schematic



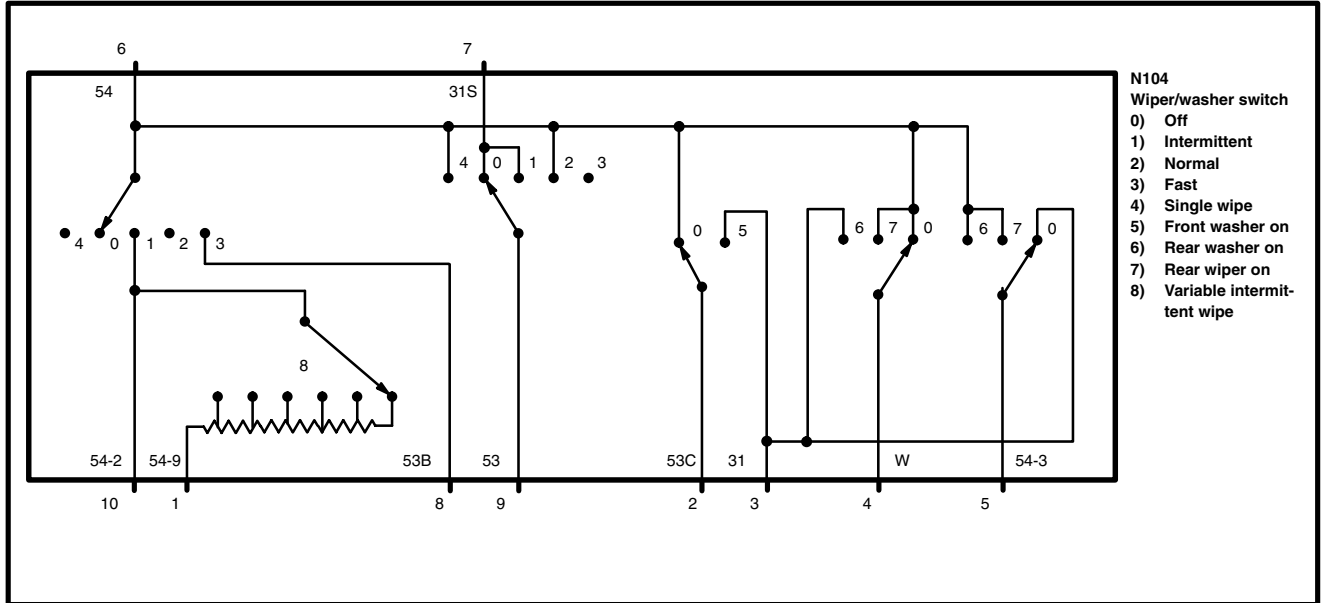
Terminal locations



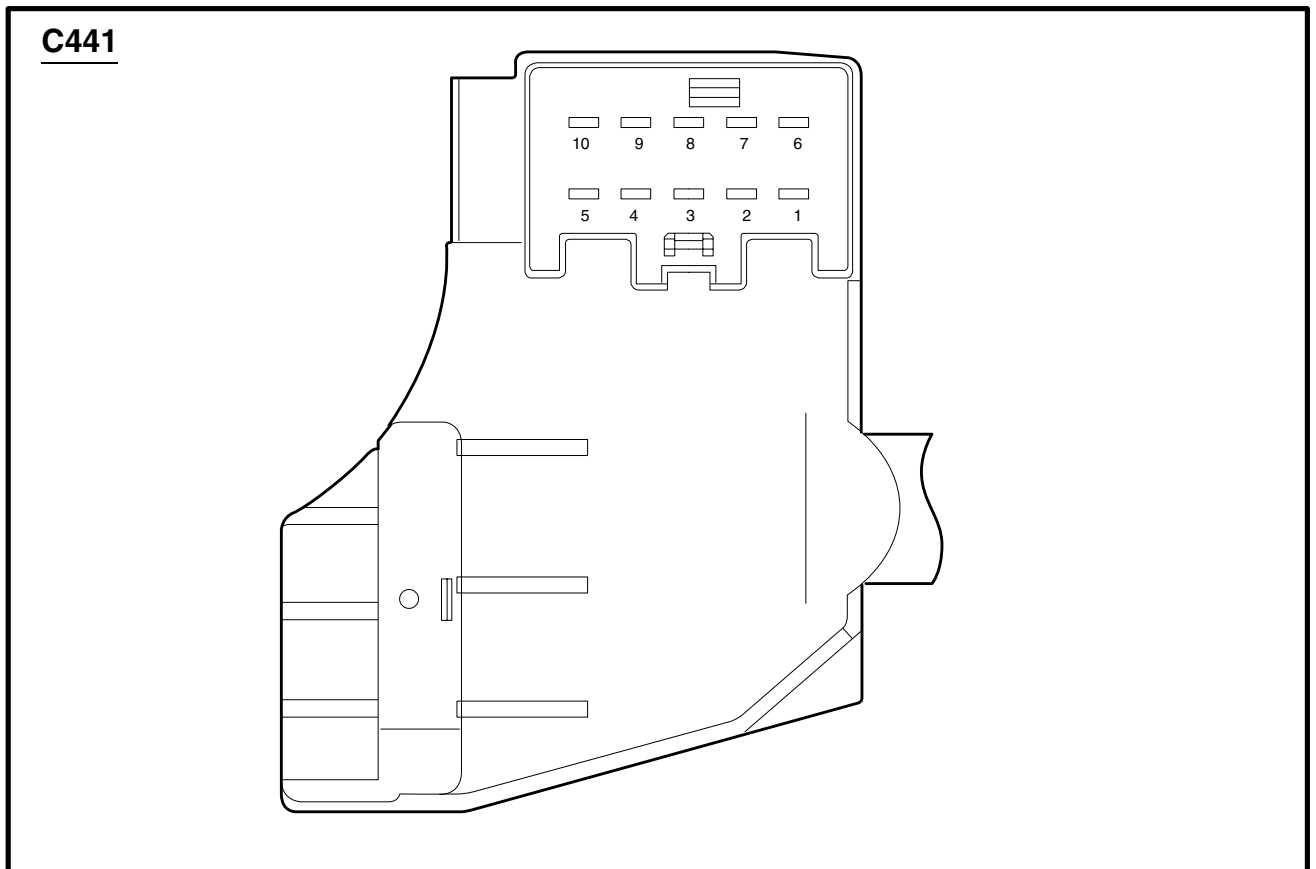
## Component testing procedure

<b>Circuit to test</b>	<b>Connect self-powered test light or ohmmeter to terminals</b>	<b>Move switch to these positions</b>	<b>A good switch will indicate</b>
<b>Headlamp flasher</b>	6 and 7	Neutral	Open circuit
		Headlamp flasher	Closed circuit
		High beam	Closed circuit
<b>High beam</b>	8 and 7	Neutral	Open circuit
		Headlamp flasher	Open circuit
		High beam	Closed circuit
<b>Low beam</b>	8 and 9	Neutral	Closed circuit
		Headlamp flasher	Closed circuit
		High beam	Open circuit
<b>LH direction indicator</b>	2 and 1	Neutral	Open circuit
		Flash left (no detent)	Closed circuit
		LH direction indicator	Closed circuit
<b>RH direction indicator</b>	2 and 3	Neutral	Open circuit
		Flash right (no detent)	Closed circuit
		RH direction indicator	Closed circuit
<b>Buzzer</b>	4 and 5		Resistance
<b>Trip select</b>	10 and 5	Neutral	Open circuit
		Trip computer switch	Closed circuit

### Schematic



### Terminal locations



## Component testing procedure

<b>Circuit to test</b>	<b>Connect ohmmeter to terminals</b>	<b>Move switch to these positions</b>	<b>A good switch will indicate</b>
<b>Variable intermittent wiper</b>	1 and 10	1	1k $\Omega$
		2	10k $\Omega$
		3	20k $\Omega$
		4	30k $\Omega$
		5	40k $\Omega$
		6	47k $\Omega$
<b>Single wiper, front</b>	6 and 9	Single wiper	Closed circuit
		Off	Open circuit
<b>Intermittent, front</b>	6 and 10	Single wiper	Open circuit
		Off	Open circuit
		Intermittent	Closed circuit
		Normal	Open circuit
		Fast	Open circuit
	7 and 9	Single wiper	Open circuit
		Off	Closed circuit
		Intermittent	Closed circuit
		Normal	Open circuit
		Fast	Open circuit
<b>Normal, front</b>	6 and 9	Single wiper	Closed circuit
		Off	Open circuit
		Intermittent	Open circuit
		Normal	Closed circuit
		Fast	Open circuit
<b>Fast, front</b>	6 and 8	Single wiper	Open circuit
		Off	Open circuit
		Intermittent	Open circuit
		Normal	Open circuit
		Fast	Closed circuit
<b>Front washer</b>	6 and 2	Off	Closed circuit
		Front washer on	Open circuit
	2 and 3	Off	Open circuit
		Front washer on	Closed circuit
<b>Rear washer</b>	6 and 5	Off	Open circuit
		Rear wiper on	Closed circuit
		Rear washer on	Closed circuit
	3 and 4	Off	Open circuit
		Rear wiper on	Open circuit
		Rear washer on	Closed circuit
<b>Rear wiper</b>	5 and 3	Off	Closed circuit
		Rear wiper on	Open circuit
		Rear washer on	Open circuit
	4 and 6	Off	Closed circuit
		Rear wiper on	Closed circuit
		Rear washer on	Open circuit
	5 and 6	Off	Open circuit
		Rear wiper on	Closed circuit
		Rear washer on	Closed circuit

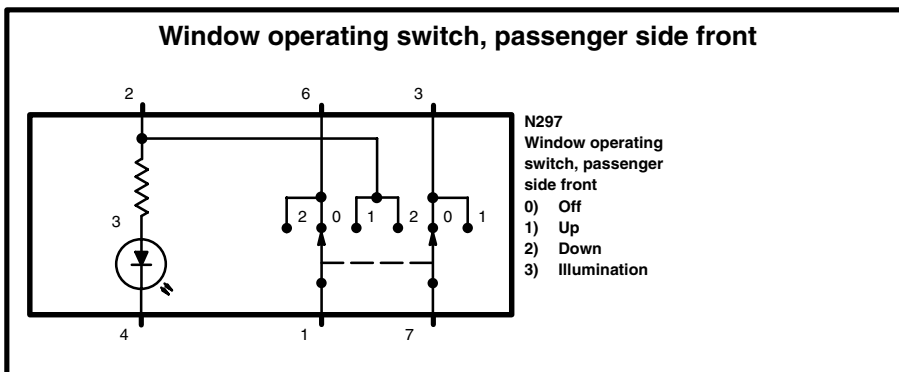




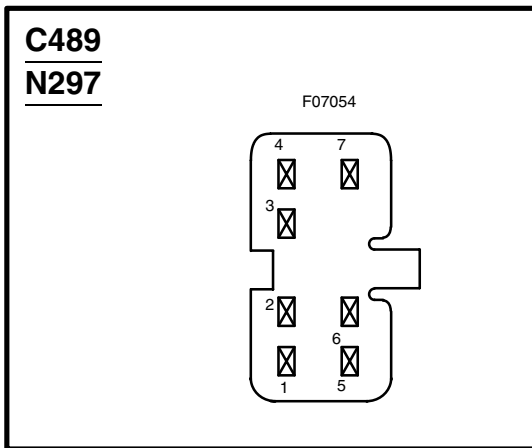
## Component testing procedure

<b>Circuit to test</b>	<b>Connect self-powered test light or ohmmeter to terminals</b>	<b>Move switch to these positions</b>	<b>A good switch will indicate</b>
<b>Driver front window circuit</b>	10 and 8	Off	Open circuit
		Up	Closed circuit
	1 and 8	Off	Closed circuit
		Up	Open circuit
<b>Passenger front window circuit</b>	10 and 5	Off	Open circuit
		Up	Closed circuit
		Down	Open circuit
	10 and 3	Off	Open circuit
		Up	Open circuit
		Down	Closed circuit
	5 and 1	Off	Closed circuit
		Up	Open circuit
		Down	Closed circuit
	3 and 1	Off	Closed circuit
		Up	Closed circuit
		Down	Open circuit

Schematic



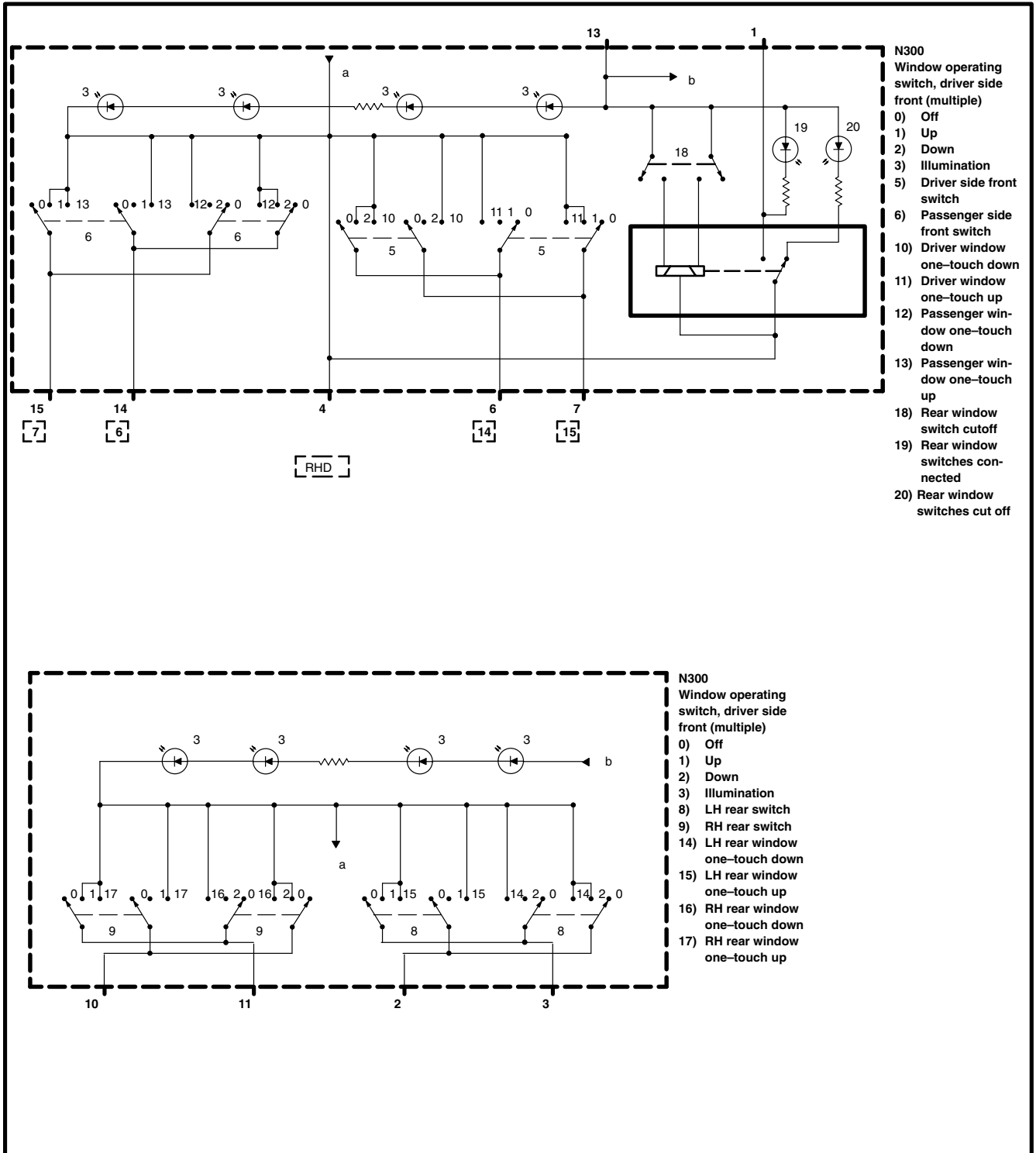
Terminal locations



Component testing procedure

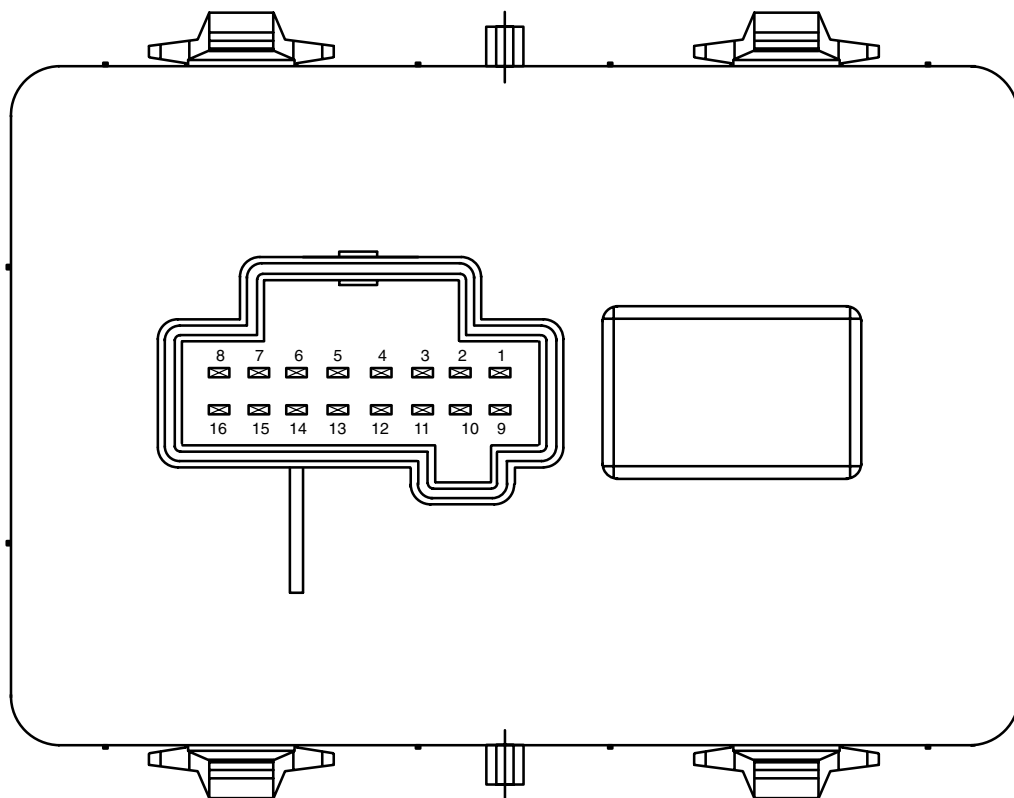
Circuit to test	Connect self-powered test light or ohmmeter to terminals	Move switch to these positions	A good switch will indicate
Window regulator circuit	7 and 3	Off	Closed circuit
		Up	Closed circuit
		Down	Open circuit
	7 and 2	Off	Open circuit
		Up	Open circuit
		Down	Closed circuit
	1 and 2	Off	Open circuit
		Up	Closed circuit
		Down	Open circuit
	1 and 6	Off	Closed circuit
		Up	Open circuit
		Down	Closed circuit

Schematic



**C484**

**Window operating switch, driver side front (multiple)**



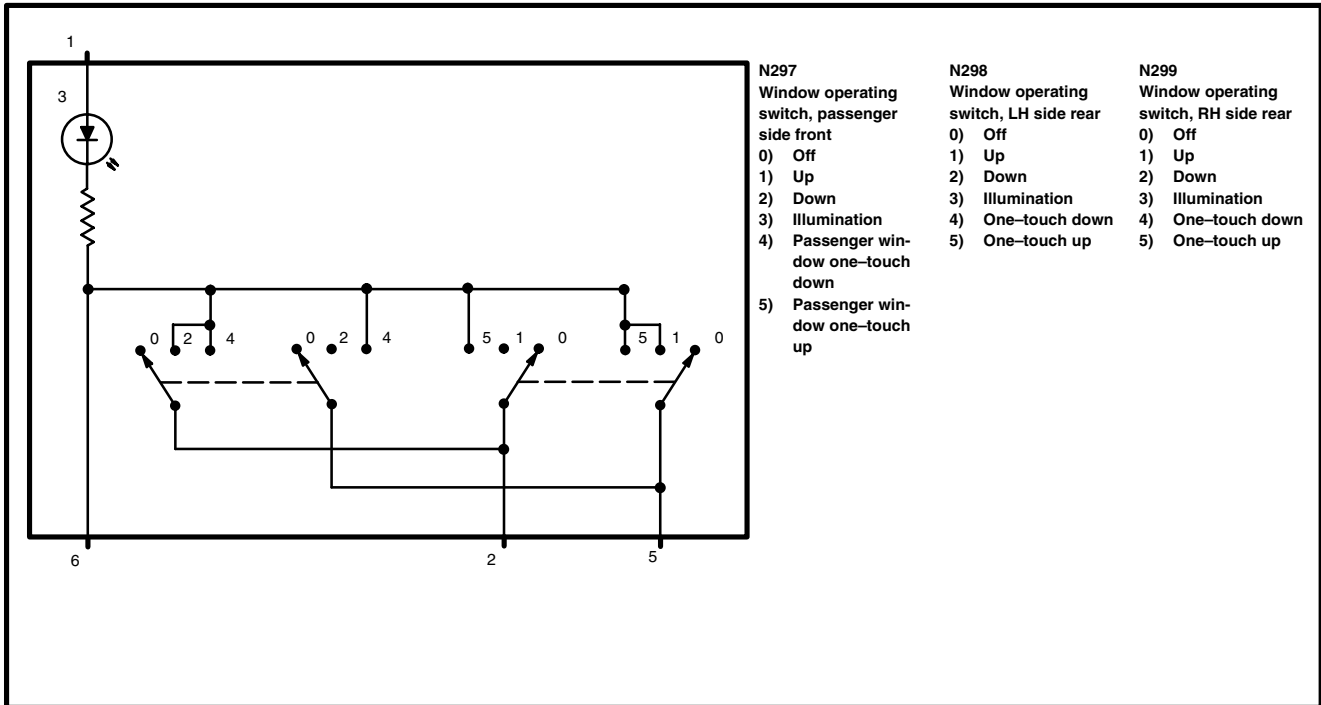
## Component testing procedure

<b>Circuit to test</b>	<b>Connect self-powered test light or ohmmeter to terminals</b>	<b>Move switch to these positions</b>	<b>A good switch will indicate</b>
<b>Driver front window circuit</b>	6 and 4 LHD 14 and 4 RHD	Off	Open circuit
		Down	Closed circuit
		Driver window one-touch down	Closed circuit
	7 and 4 LHD 15 and 4 RHD	Off	Open circuit
		Down	Open circuit
		Driver window one-touch down	Closed circuit
	6 and 4 LHD 14 and 4 RHD	Off	Open circuit
		Up	Open circuit
		Driver window one-touch up	Closed circuit
	7 and 4 LHD 15 and 4 RHD	Off	Open circuit
		Up	Closed circuit
		Driver window one-touch up	Closed circuit
<b>Passenger front window circuit</b>	15 and 4 LHD 7 and 4 RHD	Off	Open circuit
		Up	Closed circuit
		Passenger window one-touch up	Closed circuit
	14 and 4 LHD 6 and 4 RHD	Off	Open circuit
		Up	Open circuit
		Passenger window one-touch up	Closed circuit
	15 and 4 LHD 7 and 4 RHD	Off	Open circuit
		Down	Open circuit
		Passenger window one-touch down	Closed circuit
	14 and 4 LHD 6 and 4 RHD	Off	Open circuit
		Down	Closed circuit
		Passenger window one-touch down	Closed circuit

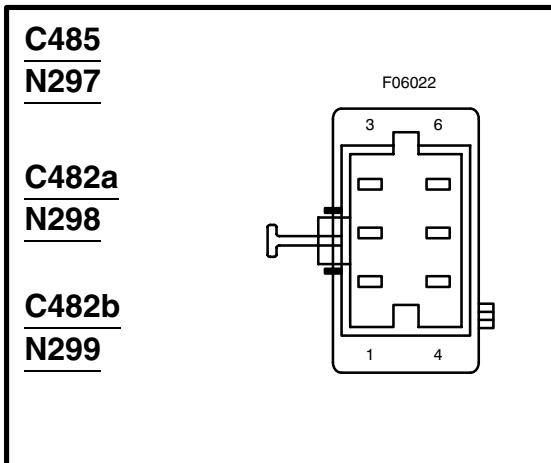
## Component testing procedure

<b>Circuit to test</b>	<b>Connect self-powered test light or ohmmeter to terminals</b>	<b>Move switch to these positions</b>	<b>A good switch will indicate</b>
<b>Left rear window circuit</b>	3 and 4	Off	Open circuit
		Up	Closed circuit
		LH rear window one-touch up	Closed circuit
	2 and 4	Off	Open circuit
		Up	Open circuit
		LH rear window one-touch up	Closed circuit
	3 and 4	Off	Open circuit
		Down	Open circuit
		LH rear window one-touch down	Closed circuit
	2 and 4	Off	Open circuit
		Down	Closed circuit
		LH rear window one-touch down	Closed circuit
<b>Right rear window circuit</b>	11 and 4	Off	Open circuit
		Up	Closed circuit
		RH rear window one-touch up	Closed circuit
	10 and 4	Off	Open circuit
		Up	Open circuit
		RH rear window one-touch up	Closed circuit
	11 and 4	Off	Open circuit
		Down	Open circuit
		RH rear window one-touch down	Closed circuit
	10 and 4	Off	Open circuit
		Down	Closed circuit
		RH rear window one-touch down	Closed circuit

Schematic



Terminal locations

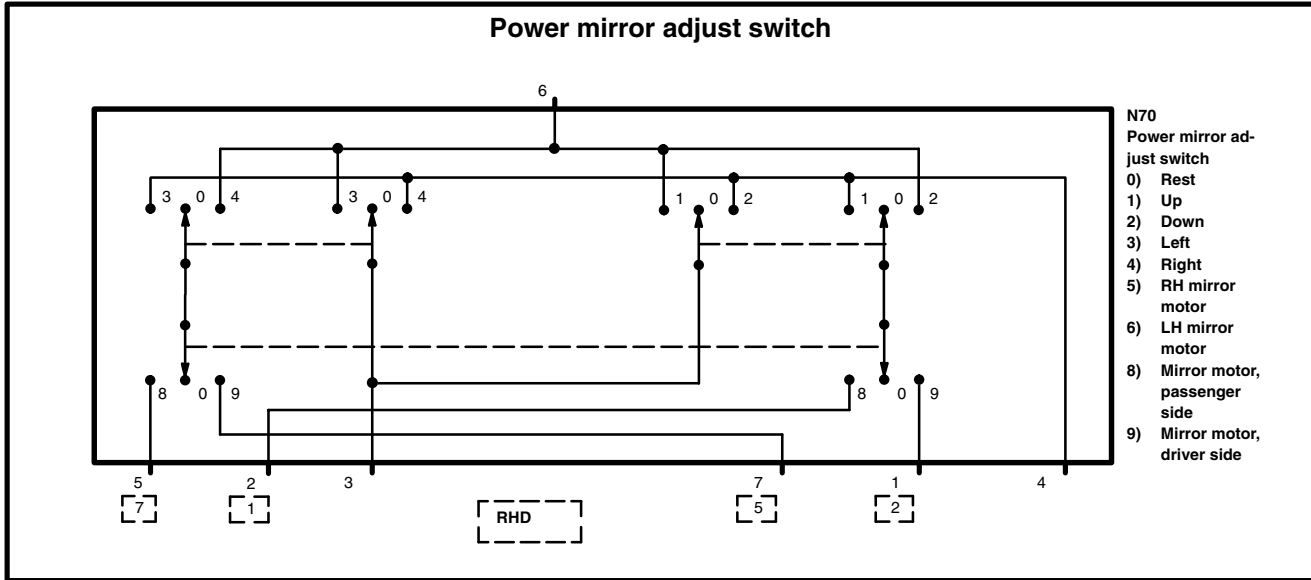




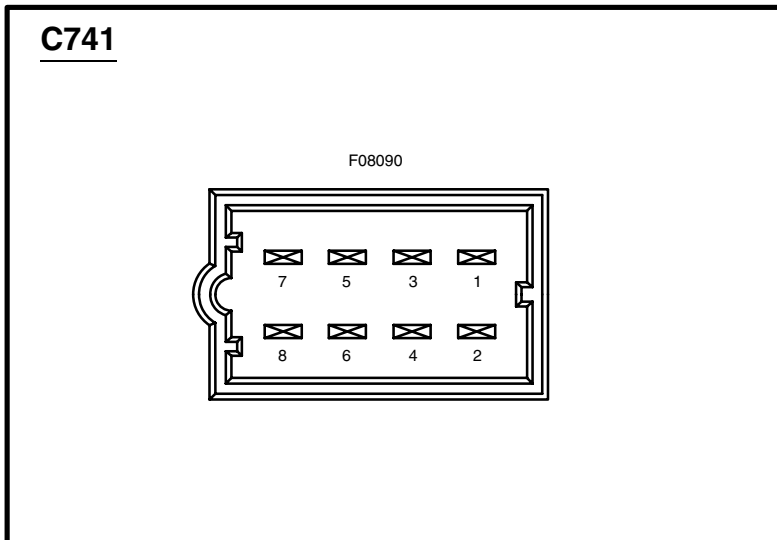
## Component testing procedure

<b>Circuit to test</b>	<b>Connect self-powered test light or ohmmeter to terminals</b>	<b>Move switch to these positions</b>	<b>A good switch will indicate</b>
<b>Window regulator circuit</b>	5 and 6	Off	Open circuit
		Up	Closed circuit
		One-touch up	Closed circuit
		Off	Open circuit
		Down	Open circuit
		One-touch down	Closed circuit
	2 and 6	Off	Open circuit
		Up	Open circuit
		One-touch up	Closed circuit
		Off	Open circuit
		Down	Closed circuit
		One-touch down	Closed circuit

Schematic



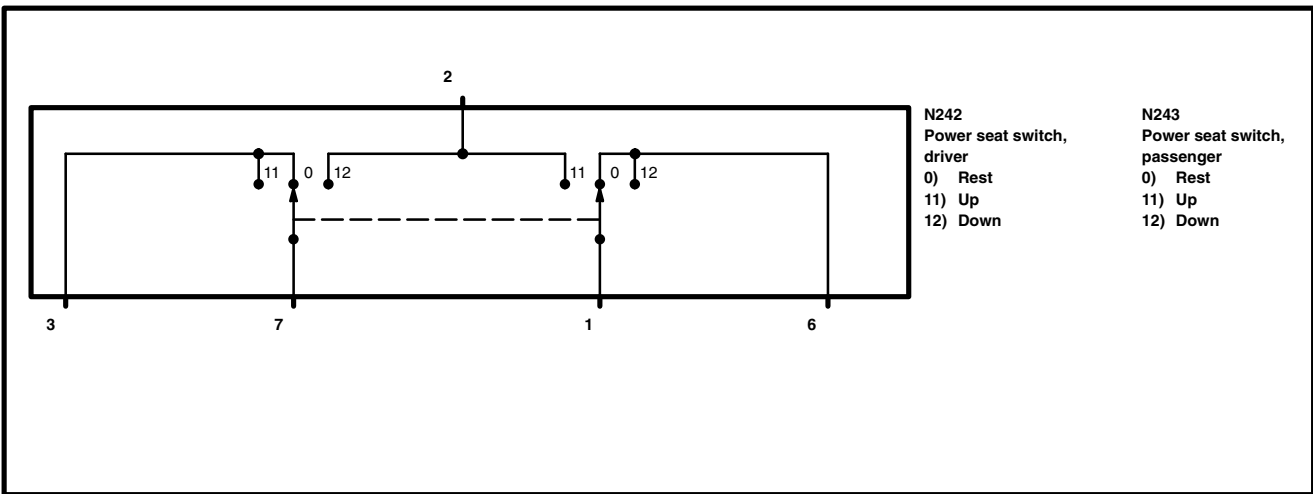
Terminal locations



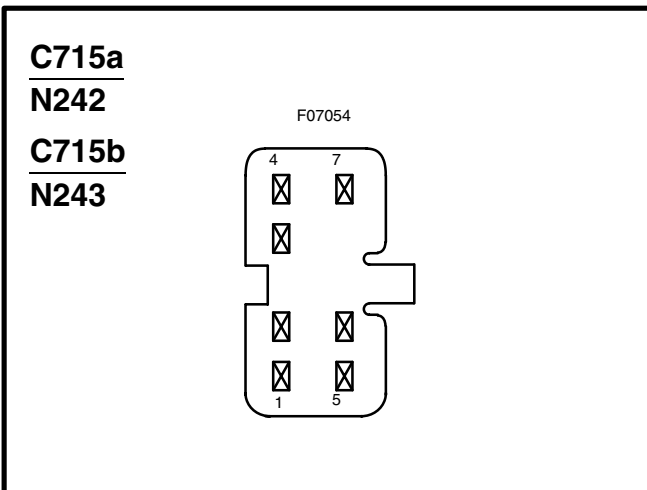
## Component testing procedure

<b>Circuit to test</b>	<b>Connect self-powered test light or ohmmeter to terminals</b>	<b>Move switch to these positions</b>	<b>A good switch will indicate</b>
<b>Power mirror, LH side</b>  <b>Up/down</b>	6 and 3	Rest	Open circuit
		Up	Closed circuit
		Down	Open circuit
	6 and 1 LHD 6 and 2 RHD	Rest	Open circuit
		Up	Open circuit
		Down	Closed circuit
<b>Power mirror, RH side</b>  <b>Up/down</b>	6 and 3	Rest	Open circuit
		Up	Closed circuit
		Down	Open circuit
	6 and 2 LHD 6 and 1 RHD	Rest	Open circuit
		Up	Open circuit
		Down	Closed circuit
<b>Power mirror, LH side</b>  <b>Left/right</b>	6 and 3	Rest	Open circuit
		Left	Closed circuit
		Right	Open circuit
	6 and 7 LHD 6 and 5 RHD	Rest	Open circuit
		Left	Open circuit
		Right	Closed circuit
<b>Power mirror, RH side</b>  <b>Left/right</b>	6 and 5 LHD 6 and 7 RHD	Rest	Open circuit
		Left	Open circuit
		Right	Closed circuit
	6 and 3	Rest	Open circuit
		Left	Closed circuit
		Right	Open circuit
<b>Up/down</b>	4 and 3	Rest	Open circuit
		Up	Open circuit
		Down	Closed circuit
<b>Left/right</b>	4 and 3	Rest	Open circuit
		Left	Open circuit
		Right	Closed circuit

Schematic



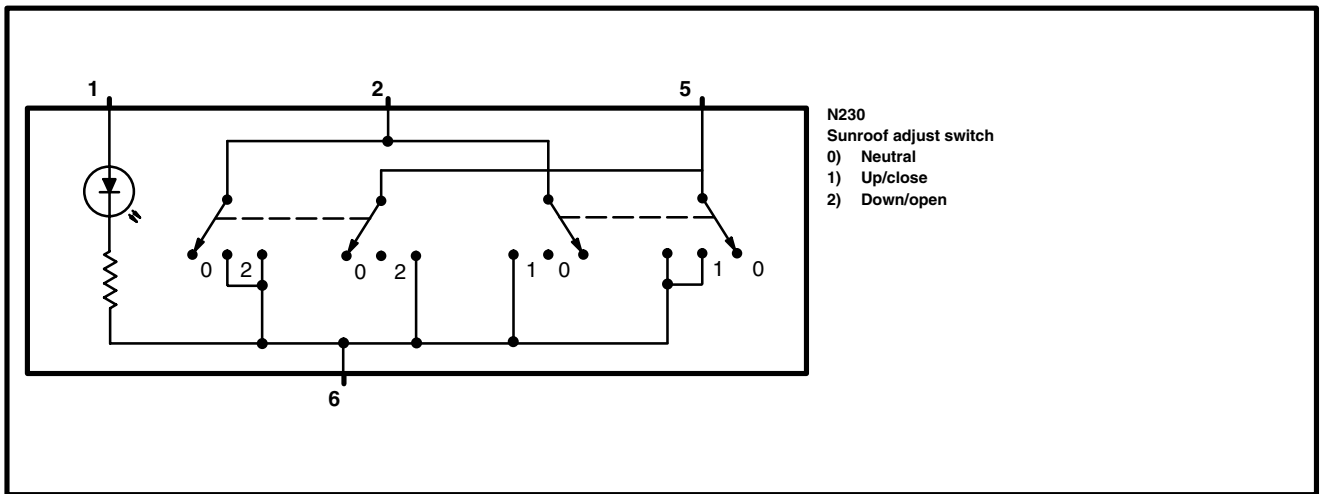
Terminal locations



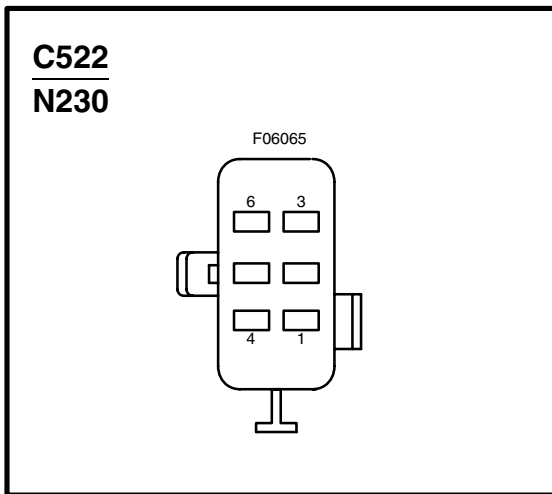
Component testing procedure

Circuit to test	Connect self-powered test light or ohmmeter to terminals	Move switch to these positions	A good switch will indicate
Height circuit	2 and 7	Rest	Open circuit
		Up	Open circuit
		Down	Closed circuit
	3 and 7	Rest	Closed circuit
		Up	Closed circuit
		Down	Open circuit
	2 and 1	Rest	Open circuit
		Up	Closed circuit
		Down	Open circuit
	6 and 1	Rest	Closed circuit
		Up	Open circuit
		Down	Closed circuit

Schematic



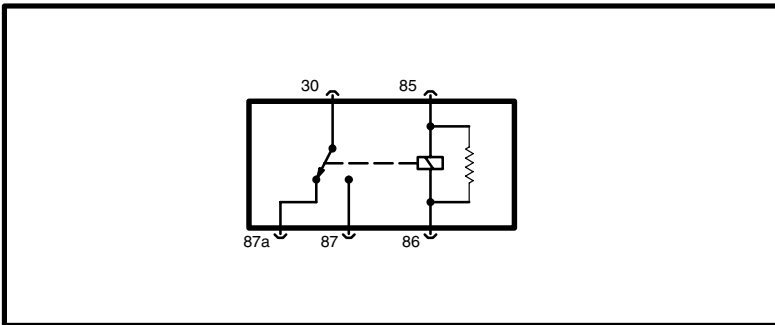
Terminal locations



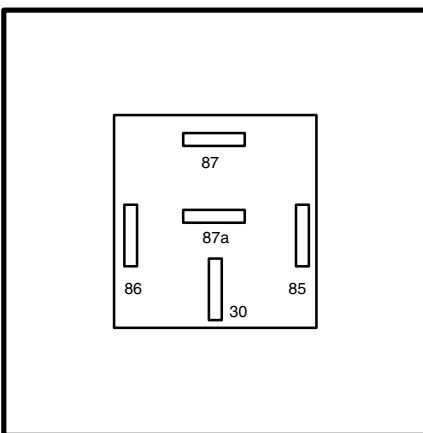
Component testing procedure

Circuit to test	Connect self-powered test light or ohmmeter to terminals	Move switch to these positions	A good switch will indicate
Sunroof circuit	2 and 6	Neutral	Open circuit
		Up/close	Closed circuit
		Down/open	Closed circuit
	5 and 6	Neutral	Open circuit
		Up/close	Closed circuit
		Down/open	Closed circuit

## Schematic



## Terminal locations



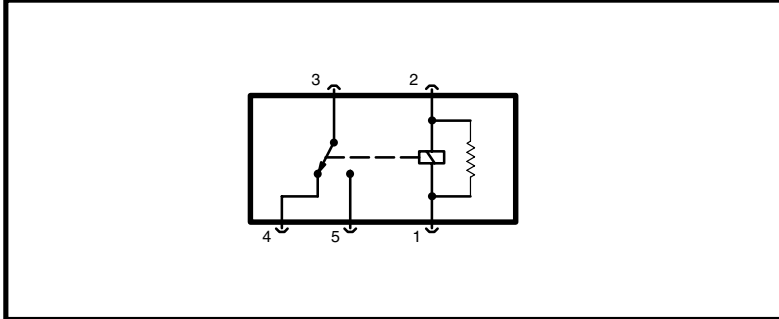
## Component testing procedure (no voltage applied)

Circuit to test	Connect ohmmeter to terminals	A good relay will indicate
<b>Coil</b>	85 and 86	50–100 $\Omega$
<b>Contact</b>	30 and 87a	Closed circuit
	30 and 87	Open circuit
<b>Coil – Contact</b>	86 and 30	Open circuit
	86 and 87a	Open circuit
	86 and 87	Open circuit

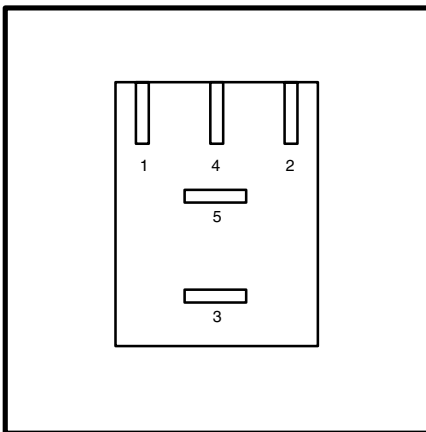
## Component testing procedure (voltage applied)

Disconnect the ohmmeter; connect pins 30 and 85 to 12 V DC power and pin 86 to ground. Measure voltage between pin 87 and pin 86. If the voltage is 12 V, continue with the test. If not, replace the relay. Disconnect power from pin 85 and measure voltage between pin 87a and pin 86. If the voltage is 12 V, the relay is okay. If not, replace the relay.

**Schematic**



**Terminal locations**



**Component testing procedure (no voltage applied)**

<b>Circuit to test</b>	<b>Connect ohmmeter to terminals</b>	<b>A good relay will indicate</b>
<b>Coil</b>	1 and 2	100–150 Ω
<b>Contact</b>	3 and 4	Closed circuit
	3 and 5	Open circuit
<b>Coil – Contact</b>	1 and 3	Open circuit
	1 and 4	Open circuit
	1 and 5	Open circuit

**Component testing procedure (voltage applied)**

Disconnect the ohmmeter; connect pins 2 and 3 to 12 V DC power and pin 1 to ground. Measure voltage between pin 5 and pin 1. If the voltage is 12 V, continue with the test. If not, replace the relay. Disconnect power from pin 2 and measure voltage between pin 4 and pin 1. If the voltage is 12 V, the relay is okay. If not, replace the relay.

