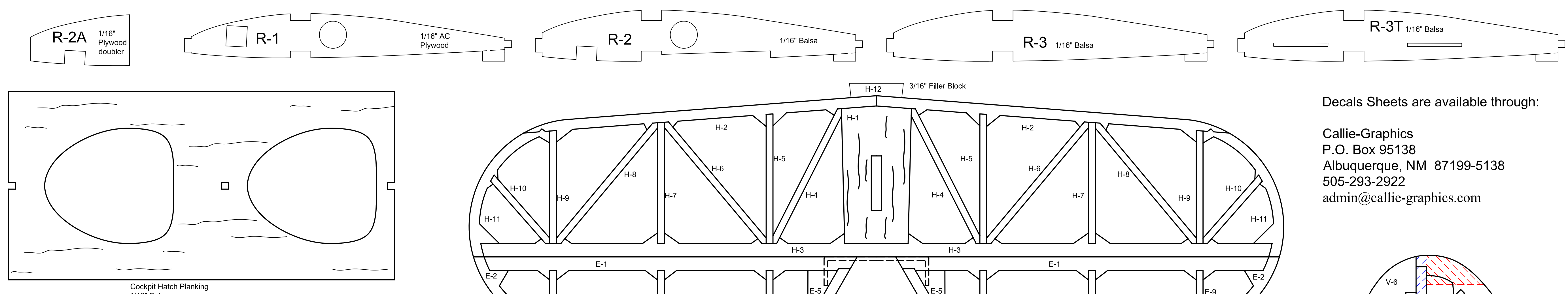
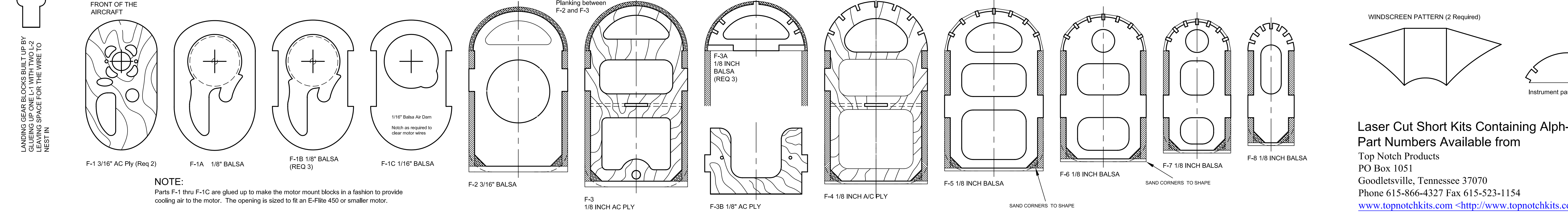
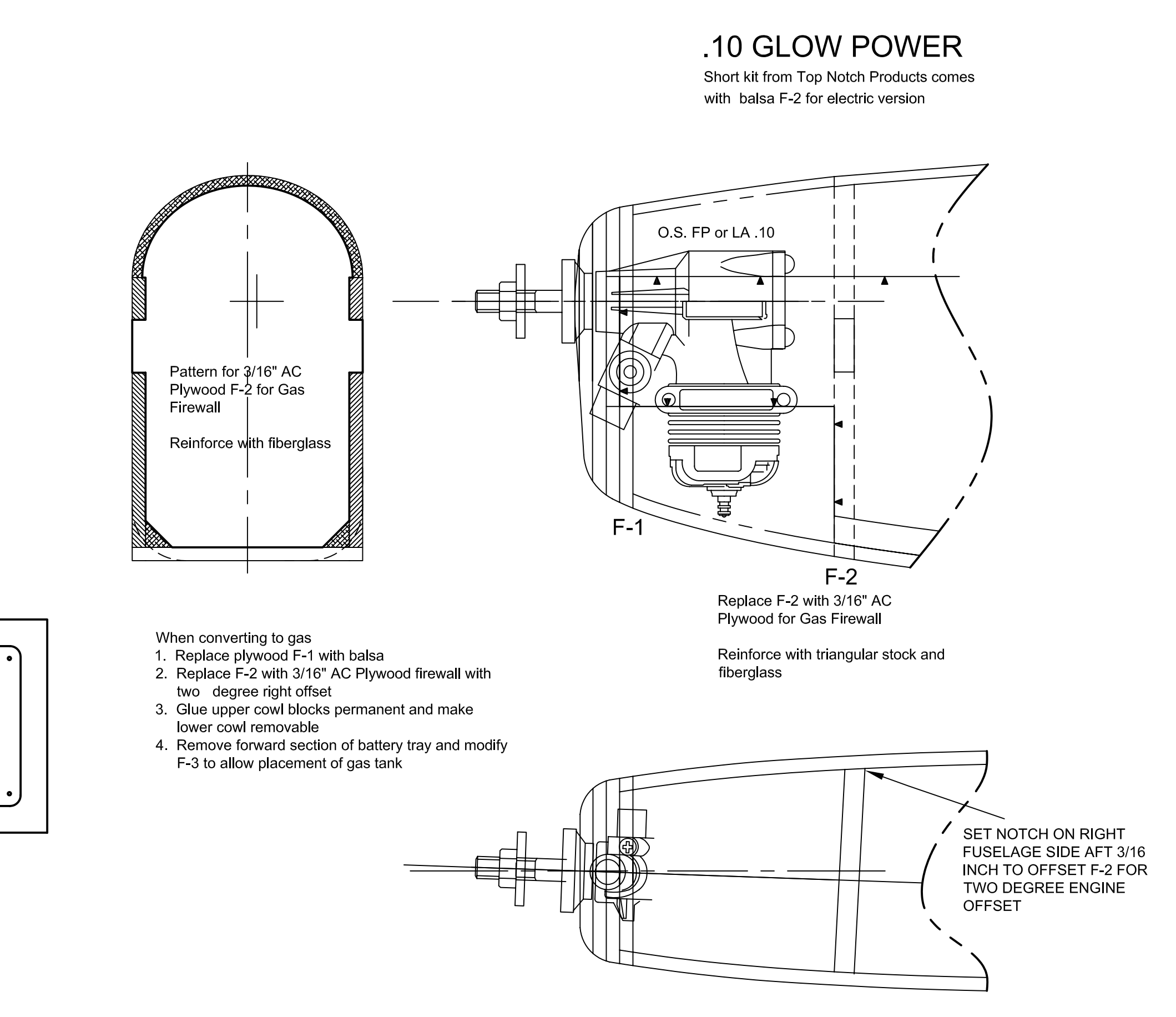
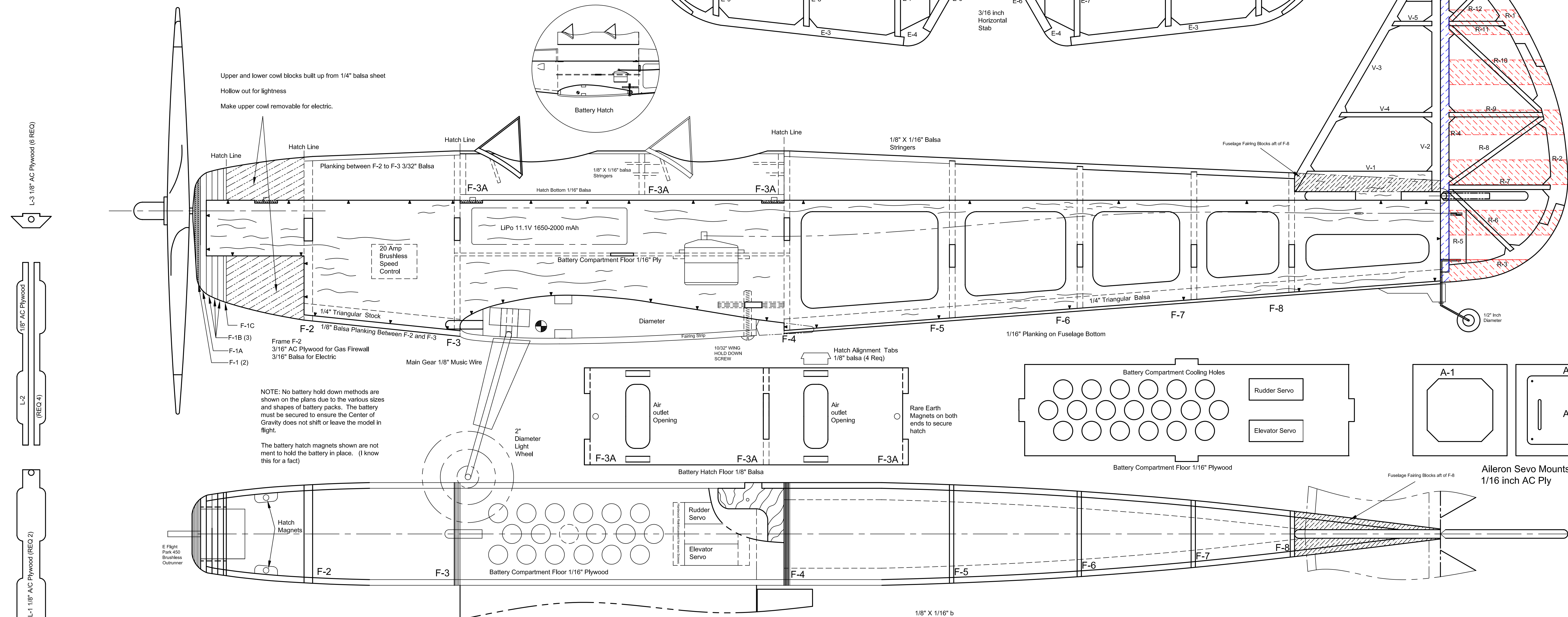
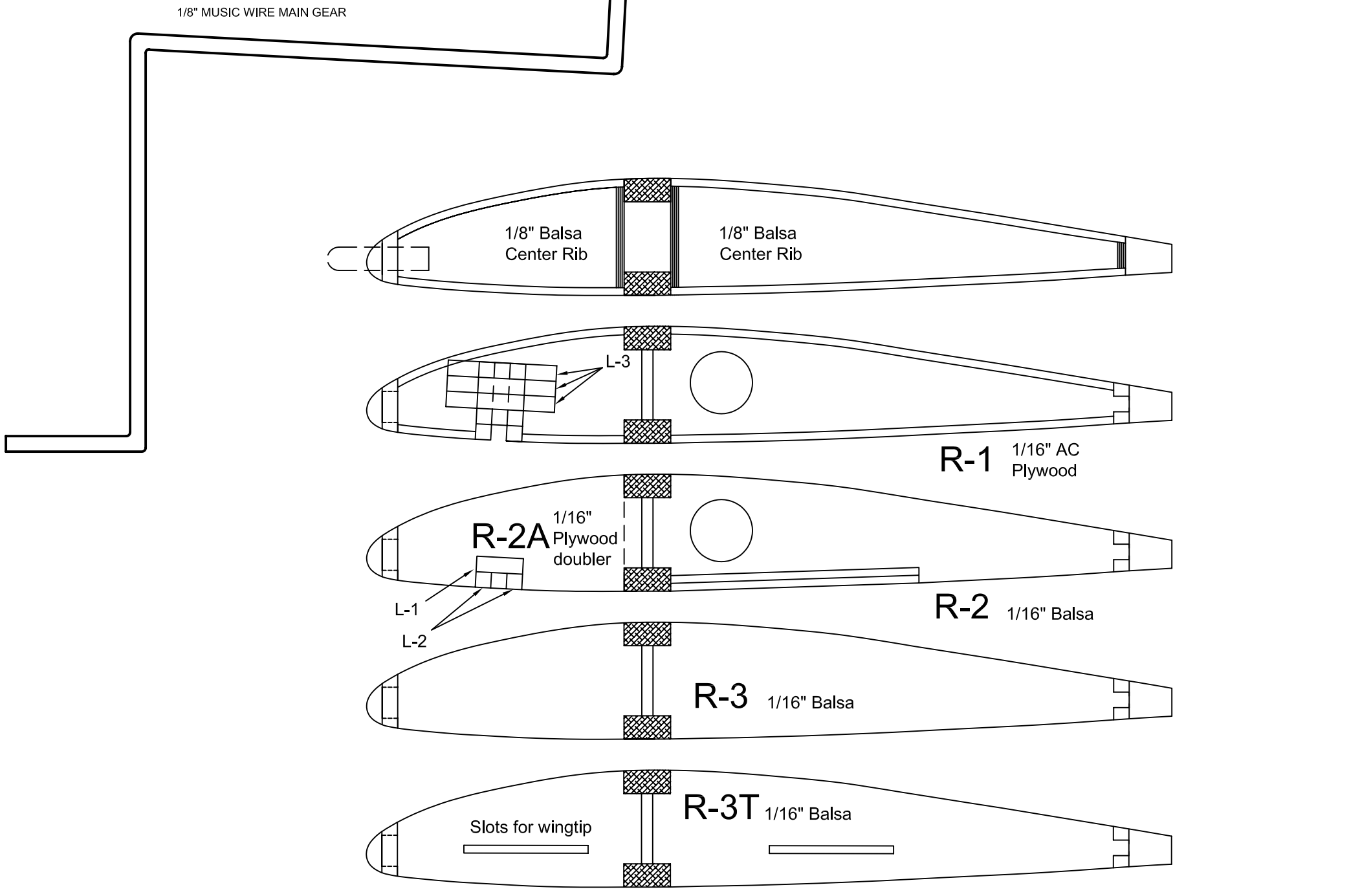


- Specifications**
- Wing Span.....40"
  - Wing Area.....300 sq. in.
  - Length.....30 in.
  - Weight.....22-24 oz.
  - Wing Loading.....11.5 oz. / sq. ft.
  - Radio Required.....4 channel
  - Motor Used...E Flight Park 400-450 Brushless Outrunner
  - Speed Control Used.....15 Amp
  - Battery.....1650-2000 3S li-poly (10C)
  - Propeller Used.....APC 10 X 5 Electric
  - Colors.....Insignia Blue/Yellow



Decals Sheets are available through:  
**Callie-Graphics**  
 P.O. Box 95138  
 Albuquerque, NM 87199-5138  
 505-293-2922  
 admin@callie-graphics.com



# SPEED 400 PT-19

Based on an Original Design by Robert Somers for .10 2C  
 Electric Conversion and detail drawings by  
 Charles Pipes  
 Drawing Revision M (2008)

Laser Cut Short Kits Containing Alpha-Numeric  
 Part Numbers Available from  
 Top Notch Products  
 PO Box 1051  
 Goodlettsville, Tennessee 37070  
 Phone 615-866-4327 Fax 615-523-1154  
[www.topnotchkits.com](http://www.topnotchkits.com) <<http://www.topnotchkits.com>>