

PL04MBS

Brushed Stainless 250/300ml Twin Bottle Holder



Product Features:

- Designed to hold x2 250/300ml Hand Soap Bottled
- Brushed Stainless Steel
- 304L Grade Stainless Steel / 240g
- Key Lockable

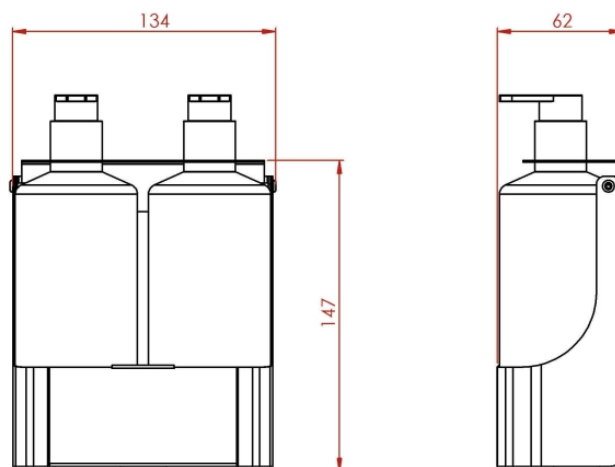
Manufactured in the UK

These lockable stainless steel bottle holders are designed to take either 250ml or 300ml hand soap bottles, constructed from a quality grade stainless steel the units are ideal for executive washrooms located in offices, hotels, bars and restaurants.

Available in a single or twin, the design incorporates an easy to use lock and key with a simple hinged cover that requires minimum effort to replace empty bottles. The unit is fixed to the wall with the fixing kit and adjustable back plate that is provided giving extra security. The lock is concealed underneath, away from the users view.

Made in a quality brushed stainless steel finish.

Product Dimensions:



Height: 147mm Width: 134mm Depth: 62mm Weight: 1Kg Capacity: x2 250/300ml Bottles