

PL07MWH

White Metal
Disposable Glove Dispenser



Product Features:

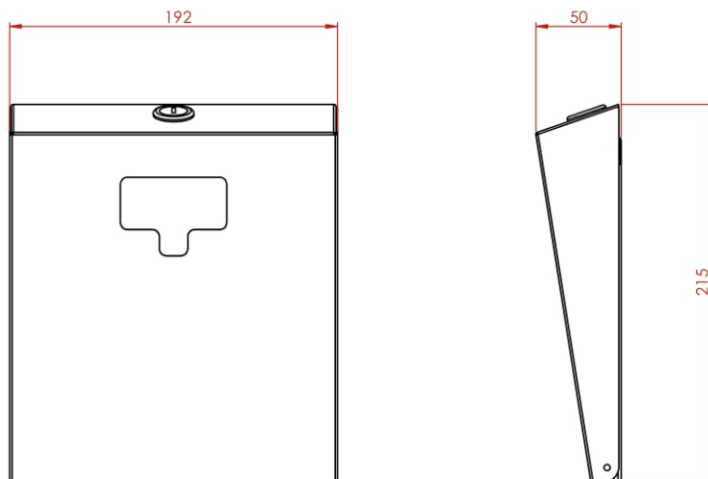
- Dispenses Polythene Gloves
- Mild Steel White Powder Coat Finish
- Key Lockable

Manufactured in the UK

Constructed from epoxy powder coated mild steel. This sturdy wall mounted Glove dispenser is designed to hold and dispense polythene gloves. The unit is key lockable for easy access to refill and also for extra security when left in use.

Made in an epoxy powder coated mild steel.

Product Dimensions:



Height: 215mm Width: 192mm Depth: 50mm Weight: 1Kg Capacity: 1000 Gloves