

This drawing is the property of L&T Construction, Power Transmission & Distribution and must not be passed on to any person or body not authorised by us to receive it nor be copied or otherwise made use either in full or in part by such person or body without our prior permission in writing.

DC CABLING:-

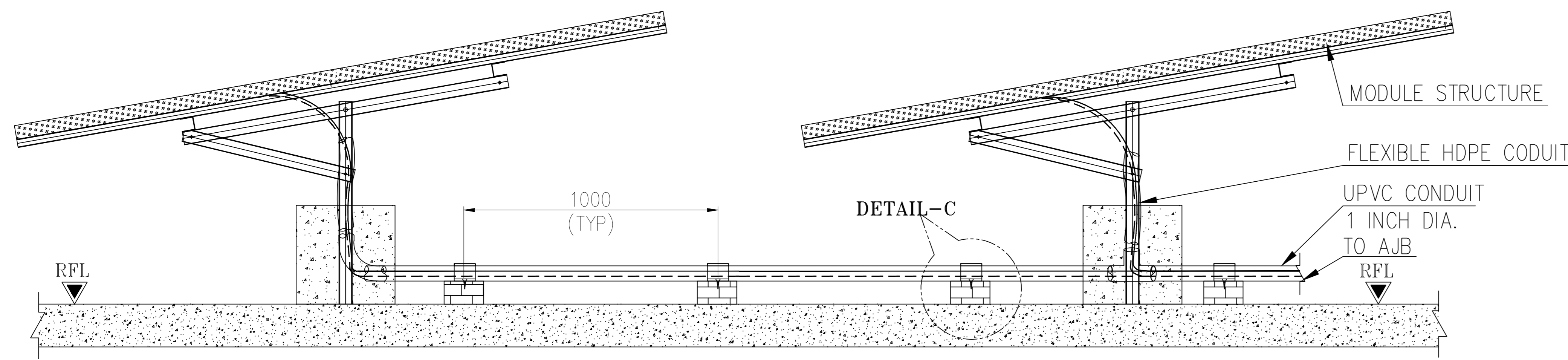


FIG-1: TYPICAL DC CABLE ARRANGEMENT

(SCALE: ENLARGED)

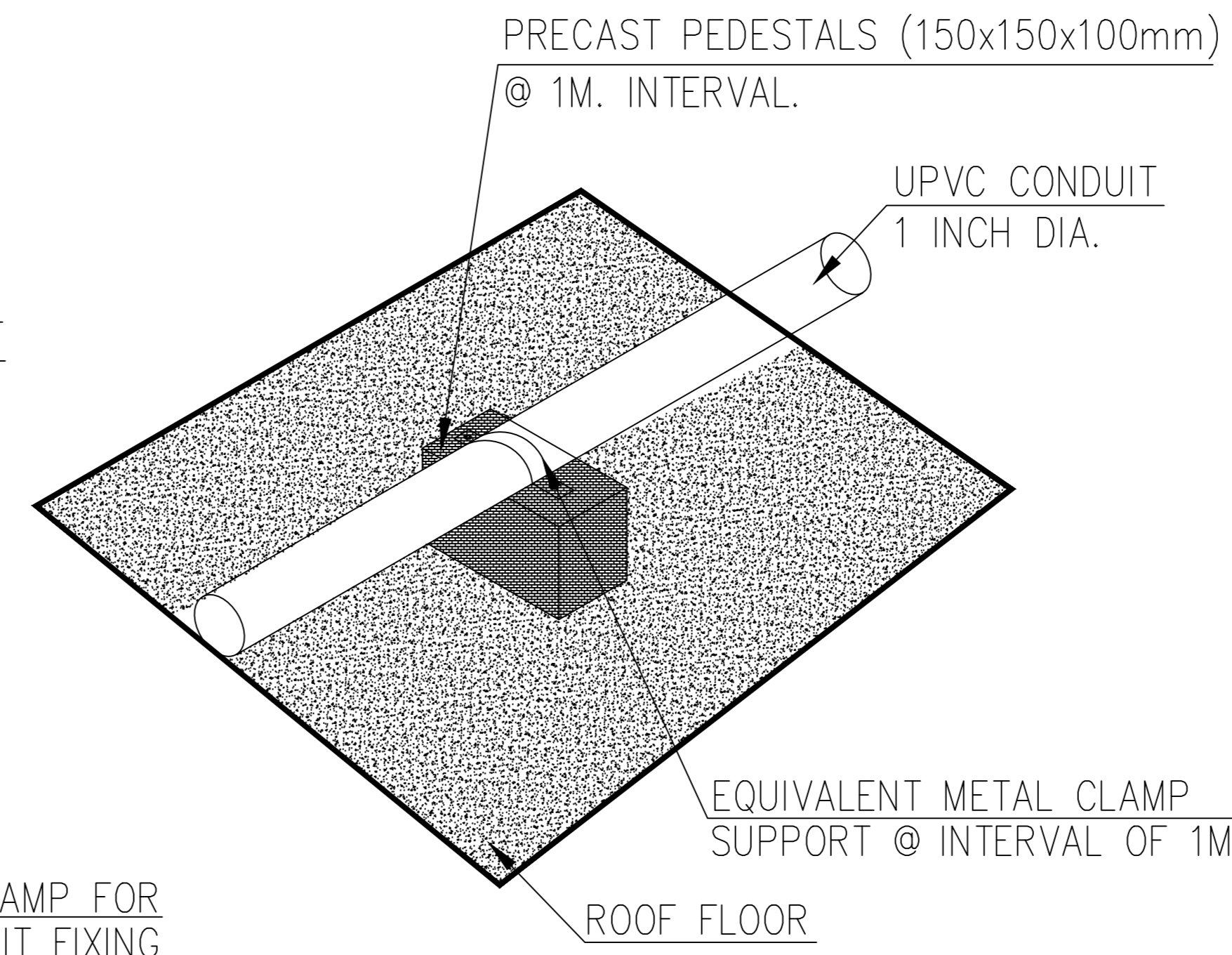
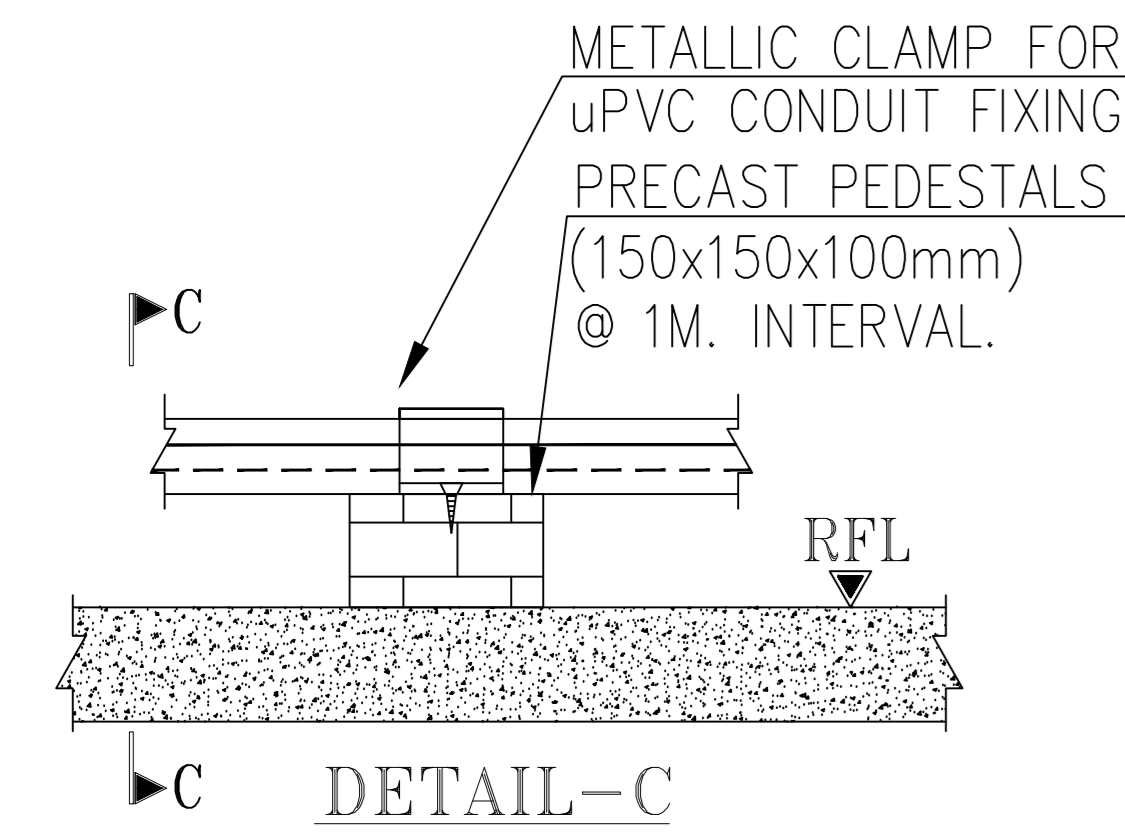
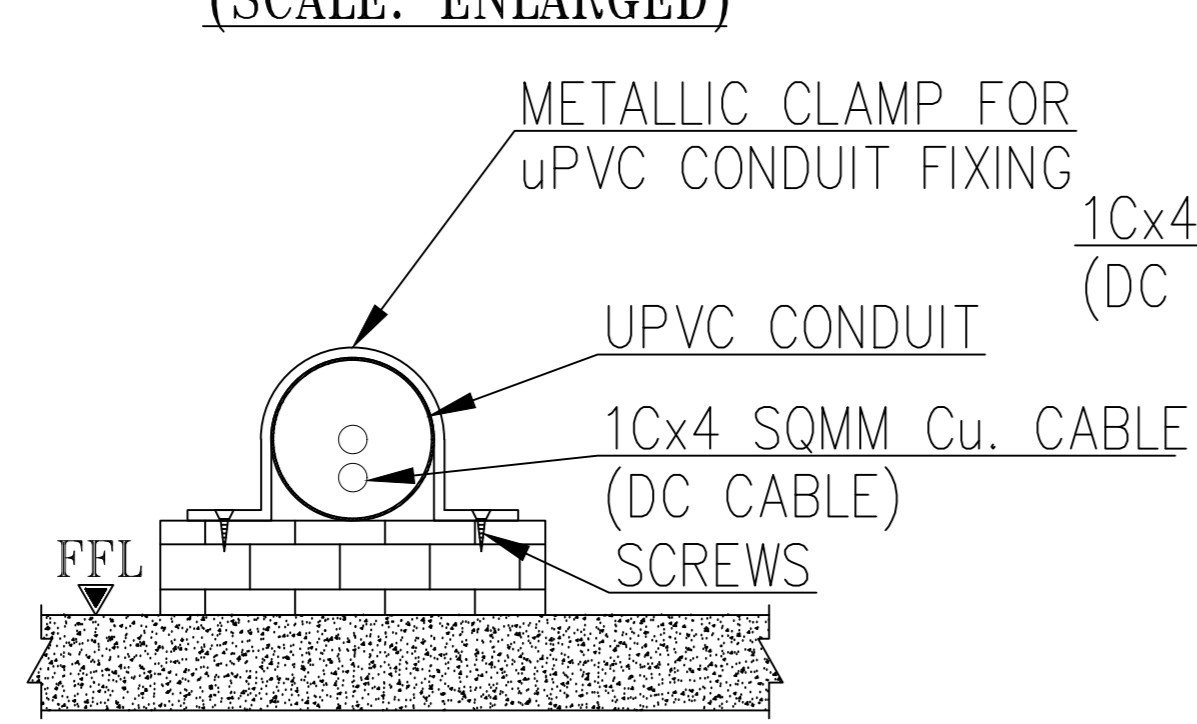


FIG-2: TYPICAL INSTALLATION DETAIL FOR CABLE CONDUIT LAID ON ROOF

(SCALE: ENLARGED)



DETAIL-C TYPICAL DC CABLE CONDUIT INSTALLATION ON ROOF



SECTION C-C uPVC CONDUIT WITH CLAMP SUPPORT

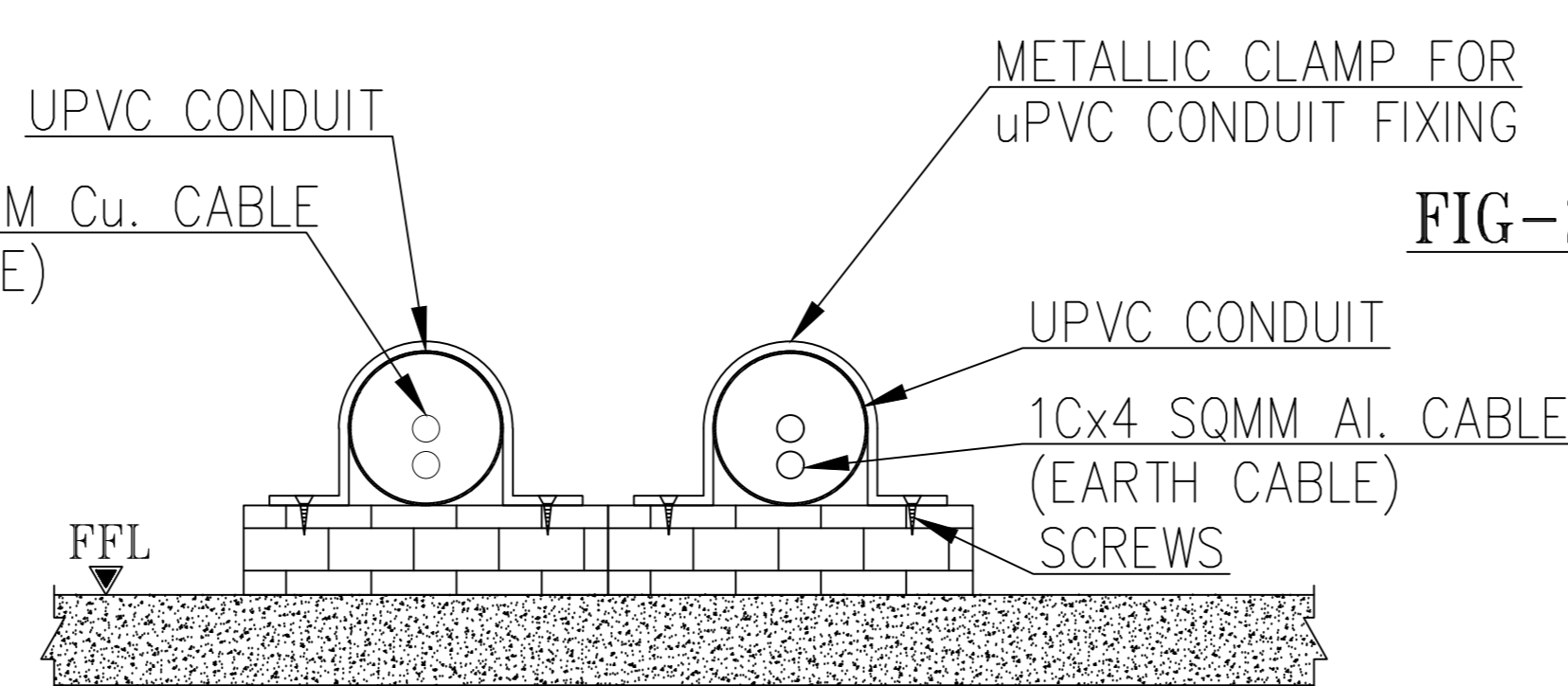


FIG-3: TYPICAL ARRANGEMENT OF DC CABLE & EARTHING CABLE WITH uPVC CONDUIT WITH CLAMP SUPPORT

NOTES:-

- CABLE CONDUIT SHALL BE SUPPORTED WITH PRECAST PEDESTALS ARRANGEMENT AT EVERY 1M INTERVAL TO AVOID SAG & BENDINGS AS SHOWN IN FIG-2.
- LOCATION OF INVERTER TO BE CHOSEN AS NEAR TO PV ARRAY AT STAIRCASE WALL (INDOOR) TO MINIMIZE THE CABLE LENGTH AS REQUIRED.
- CABLES FROM STRING(END MODULE) TO CONDUIT SHALL BE LAID IN FLEXIBLE HDPE CONDUIT.
- STRING INTERCONNECTED CABLES ON MMS SHALL BE PROPERLY LAID WITH SS CABLE TIES.
- STRINGS SIZE(NO OF MODULES) OF INDIVIDUAL MPPT SHOULD BE SAME.
- INTERCONNECTION CABLE SHALL BE LAID UNDER THE MODULE TILL THE CABLE CONDUIT WHERE STRING IS NOT TOGETHER.
- THE CABLE FROM INVERTER TO LT PANEL'S SHALL BE LAID IN CABLE CONDUIT ON ROOF AND CABLE TRAY ON WALL.
- ON WALL CABLE WILL BE LAID IN CABLE TRAY WITH CABLE TIES.
- EQUIPMENTS LOCATION & AC CABLE ROUTINGS ARE INDICATIVE ONLY. SAME SHALL VARY BASED ON SITE CONDITIONS.
- SPACING OF EQUIPMENT ON WALL INSIDE KIOSK SHALL VARY BASED ON VENDOR RECOMMENDATION.
- DC CABLE CONDUIT & EARTHING CABLE CONDUIT SHALL BE PLACED ON PEDESTALS ADJUST TO EACH OTHER AS PER SITE CONDITION.(REFER FIG:3)

AC CABLING :-

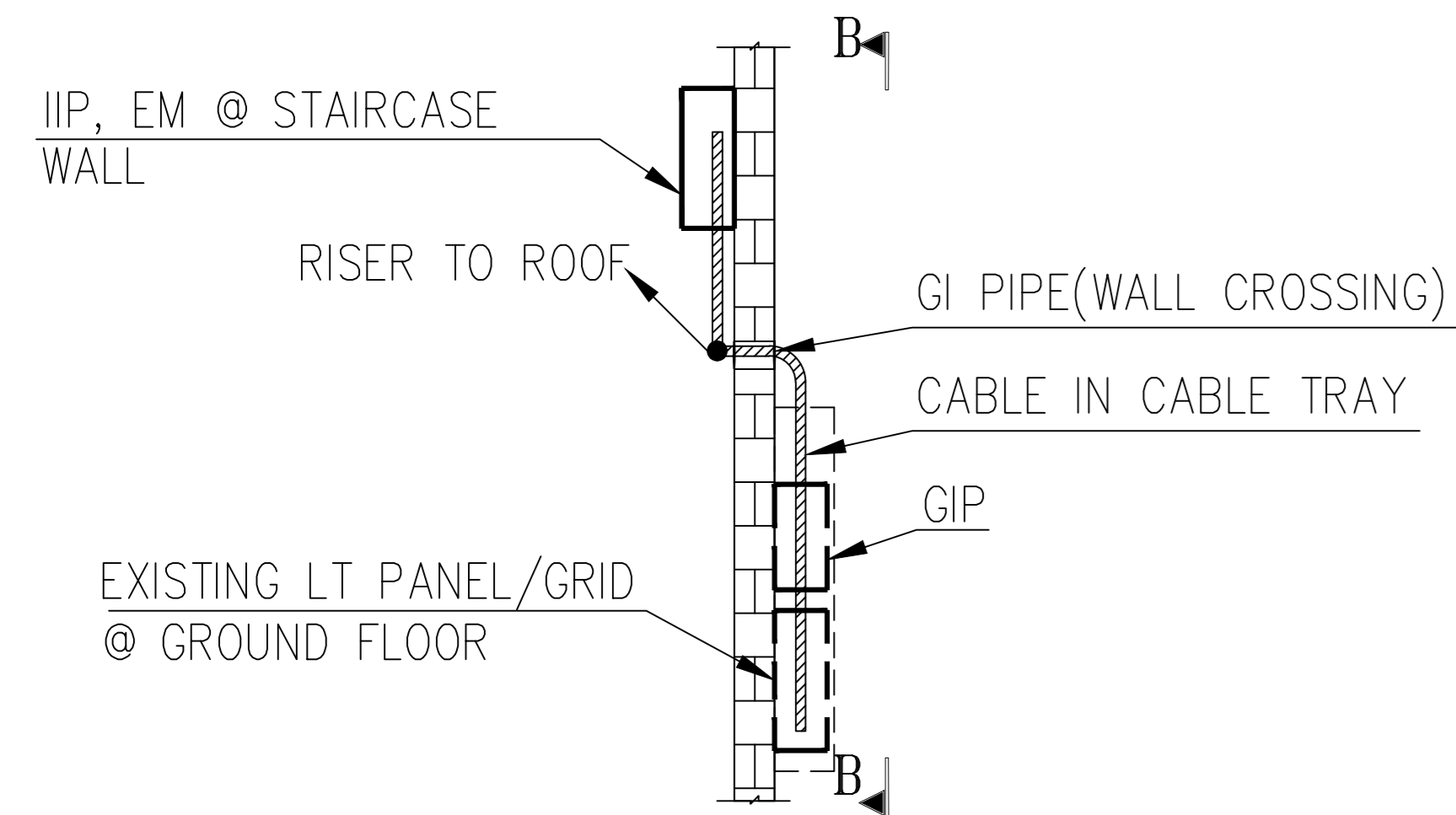
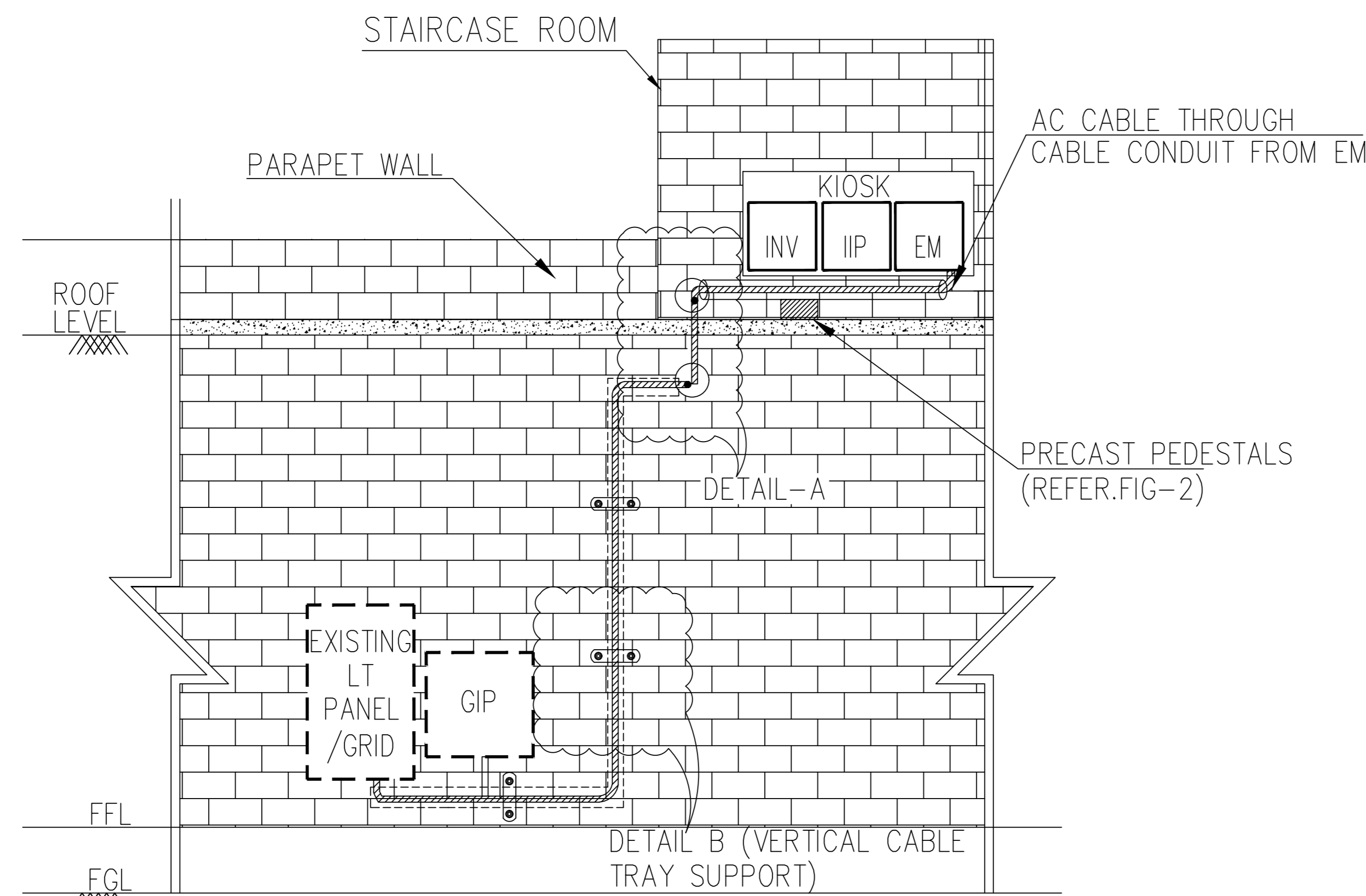
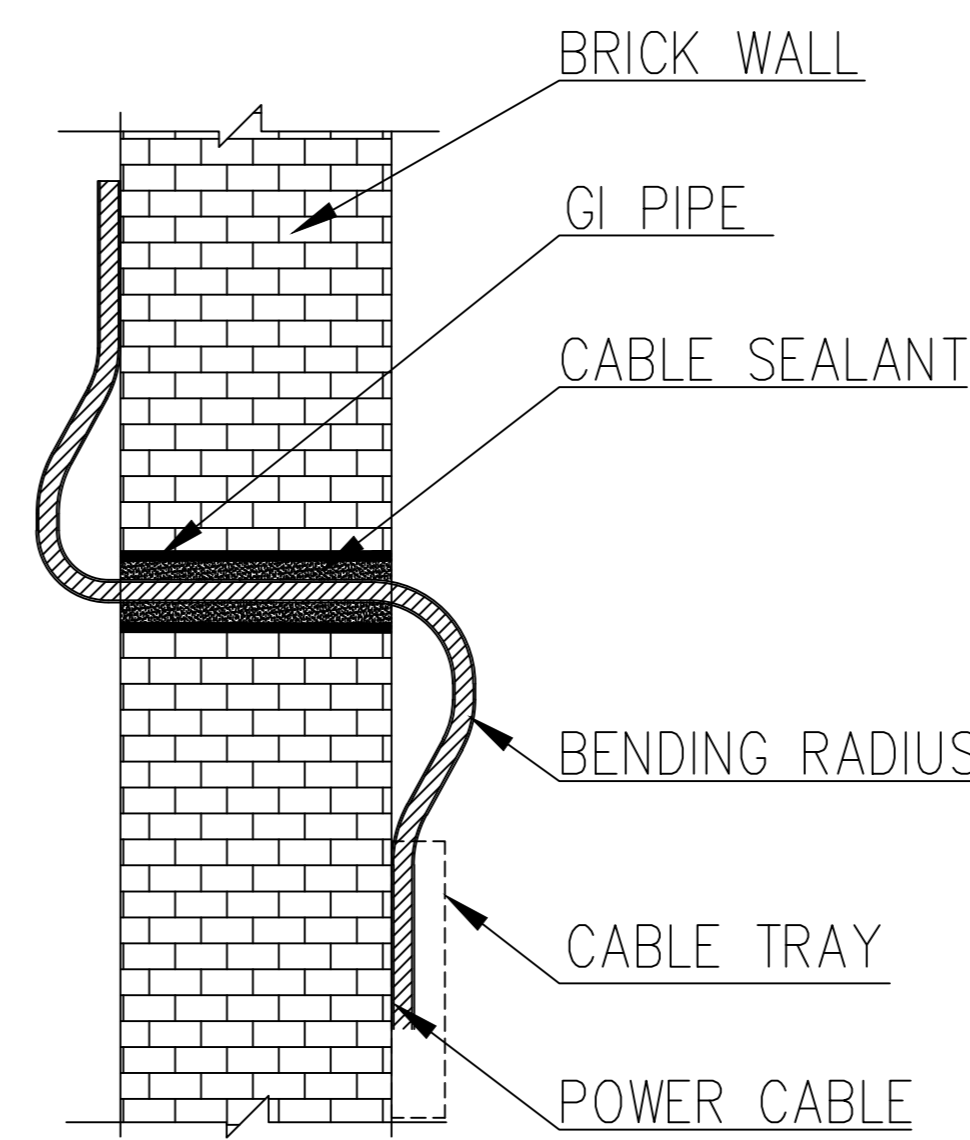


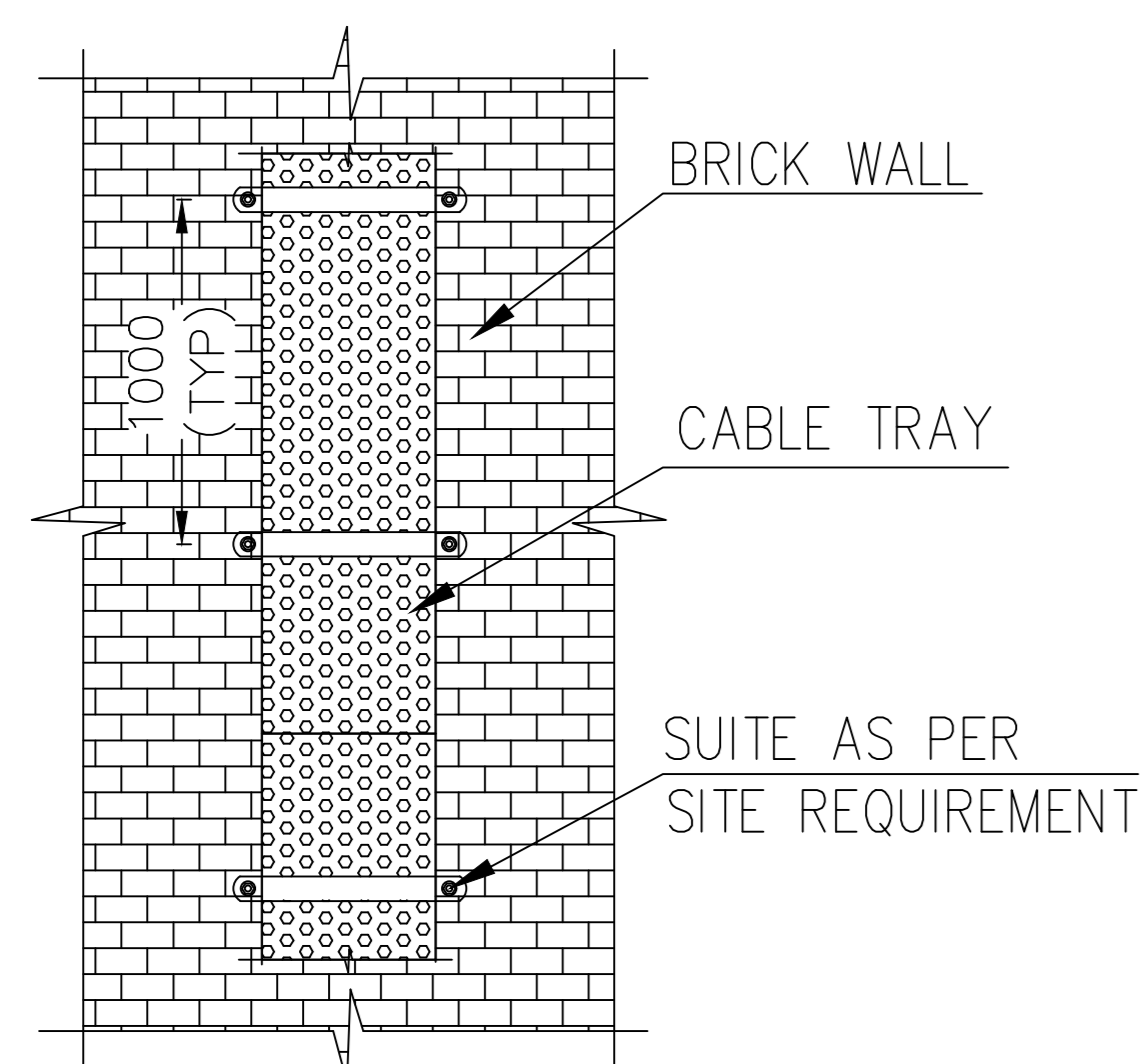
FIG-4: GROUND FLOOR PLAN LT PANEL - TOP VIEW (SCALE: ENLARGED)



FRONT VIEW (SECTION B-B) (SCALE: ENLARGED)



DETAIL-A: TYPICAL CABLE ENTRY THROUGH WALL (SCALE: ENLARGED)



DETAIL-B-VERTICAL CABLE TRAY FIXING ON WALL (FRONT VIEW) (SCALE: ENLARGED)

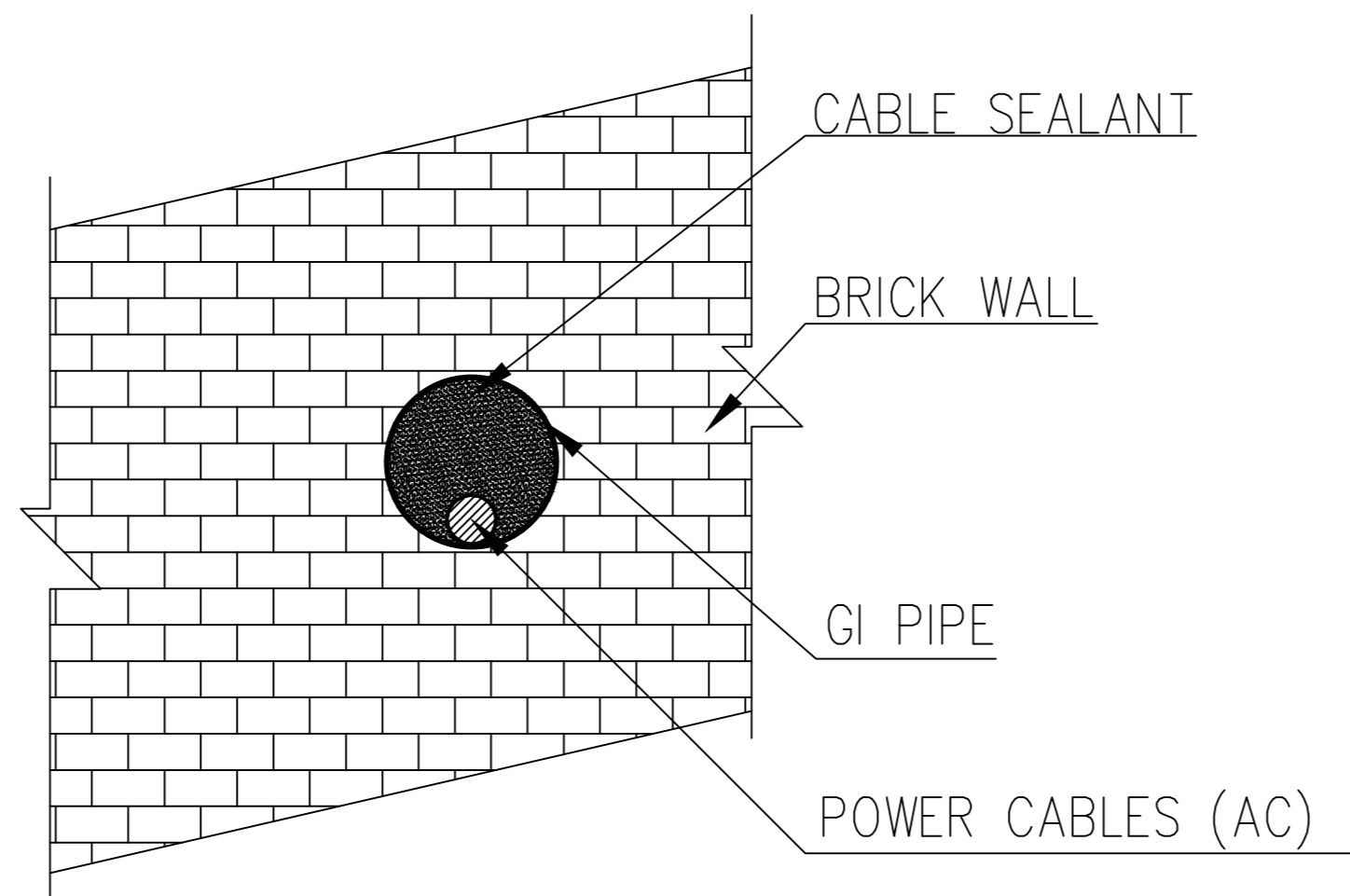


FIG-5: TYPICAL CONDUIT LAID THROUGH WALL (SCALE: ENLARGED)

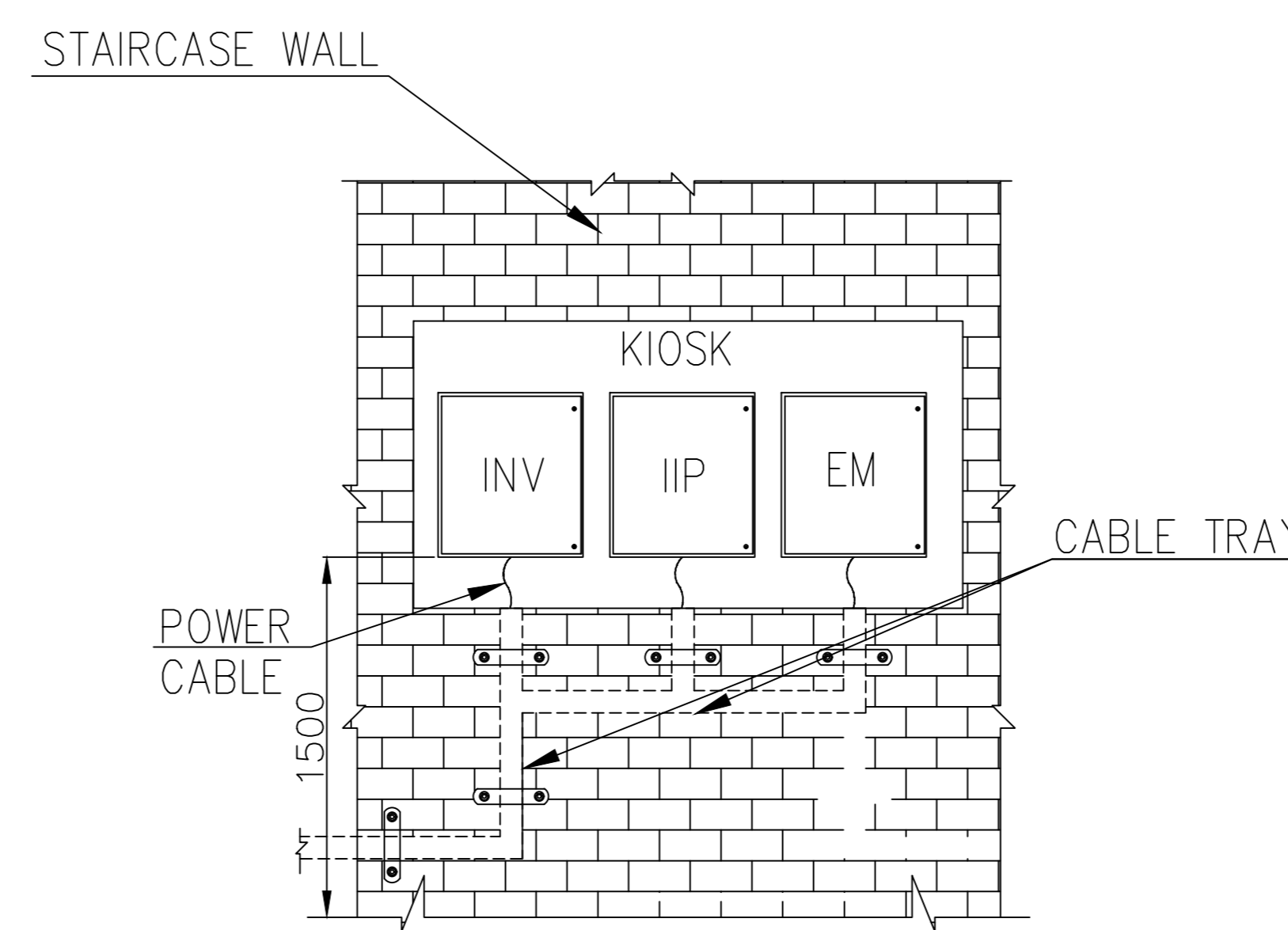


FIG-5: TYPICAL GENERAL ARRANGEMENT FOR INVERTER, IIP & EM CABLE TRAY (WALL MOUNTING) (SCALE: ENLARGED)

A		FOR APPROVAL	DSK	TS	RJR	RKJ
REV. No	DESCRIPTION	DESIGNED	DRAWN	CHECKED	APPROVED	
REVISIONS						

L&T Construction
Power Transmission & Distribution IC
(Solar Projects)

CLIENT : WEST BENGAL RENEWABLE ENERGY DEVELOPMENT AGENCY **CONSULTANT :** -

PROJECT : GRID CONNECTED ROOFTOP SOLAR PV POWER PLANTS (10 & 20 KWp)
AT VARIOUS LOCATIONS OF WEST BENGAL

SUPPLIER / CONTRACTOR : L&T Construction
Solar Projects

JOB No. : 019100-PTD-S			TITLE :		
NAME	SIGN	DATE	TYPICAL CABLING SCHEME		
DSGN	DSK	05.04.19			
DRWN	TS	05.04.19			
CHKD	RJR	05.04.19			
APPD	RKJ	05.04.19	PROJECTION		

DRG. No. : 019100-PTD-S-EL-CR-0003 **SIZE : A3** **REV. : D**
SHEET 02 OF 02

RELEASED FOR PRELIMINARY TENDER INFORMATION APPROVAL CONSTRUCTION