

Universal Online pH/ORP Analyzer

AC2000



AC2000C



AC2000D2



AC2000M

Typical Applications

The instrument is equipped with different types of pH sensors. Widely used in power plants, petrochemical industry, metallurgical electronics, mining, paper industry, biological fermentation engineering, medicine, food and beverage, environmental protection water treatment, aquaculture, modern agricultural planting and other industries`

Features

- 4-20mA/RS485 multiple connection modes
- Full color screen, multi line display
- Data recording/trend chart display
- Plate installation and wall mounted
- Multiple automatic calibration functions
- Three sets of relay control switches
- High limit, low limit, hysteresis control
- Password protection can be set to prevent misoperation

Alarm and Control

High & low alarm and hysteresis control. Various alarm outputs. In addition to the standard two-way normally open contact design, the option of normally closed contacts is also added to make the dosing control more targeted.

Industrial Grade

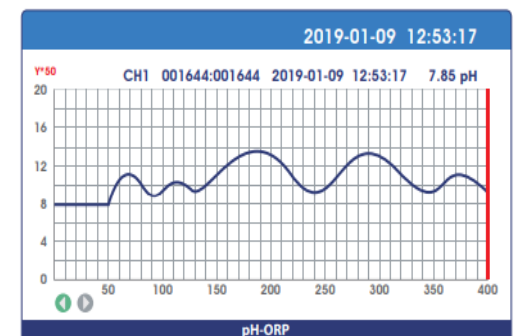
- The 3-terminal waterproof sealing joint effectively prevents water vapor from entering and isolates the input, output and power supply, and the stability is greatly improved.
- Shell coated with protective metal paint
- Safety capacitors are added to the power board improves the strong magnetic anti-interference for industrial applications
- Shell is made of PPS material for more corrosion resistance.
- Sealed and waterproof back cover effectively prevent water, vapor from entering, dustproof, waterproof, corrosion-proof, greatly improves the protection of the whole machine.



Measurement mode



Calibration Mode



Trend chart



Setting mode

Function

Industrial on-line PH/ORP transmitter is an on-line water quality dual channel monitoring and control instrument with microprocessor.

The pH (acid, alkalinity) ORP value and temperature value of aqueous solution were continuously monitored and controlled

Technical Specifications*

Descriptions	Specifications
Name of the Product	Universal 4 wire - Online pH/ORP Analyzer
Measuring range	pH:-2~16pH; ORP: ±2000mV
Unit	pH, mV
Resolution	pH:0.01pH; 0.1mV
Basic error	pH:±0.1pH; ±0.1mV
Temperature	-10~150.0 °C(Depend on the Sensor)
Temp. resolution	0.1 °C
Temp. accuracy	±0.0.3 °C
Temp. compensation	0~150.0 °C
Temp. compensation	Manual or automatic
Stability	pH:≤0.01pH/24h;
Current outputs	Two 4~20mA,20~4mA,0~20mA
Signal output	RS485 MODBUS RTU
Other functions	Data record &Curve display
Three relay control contacts	5A 250VAC,5A 30VDC
Optional power supply	85~265VAC,9~36VDC,power consumption≤3W
Working conditions	No strong magnetic field interference around except the geomagnetic field
Working temperature	-10~60 °C
Relative humidity	≤90%
Waterproof rating	IP65
Weight	Weight
Dimensions	144×144×118mm
Installation opening size	138×138mm
Installation methods	Panel & wall mounted or pipeline

Electrical connections

Electrical connection The connection between the instrument and the sensor: the power supply, output signal, relay alarm contact and the connection between the sensor and the instrument are all inside the instrument. The length of the lead wire for the fixed electrode is usually 5-10 meters, and the corresponding label or color on the sensor Insert the wire into the corresponding terminal inside the instrument and tighten it.

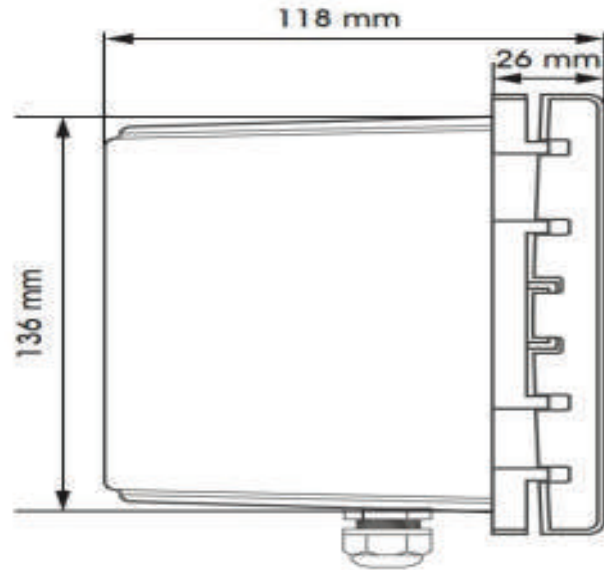
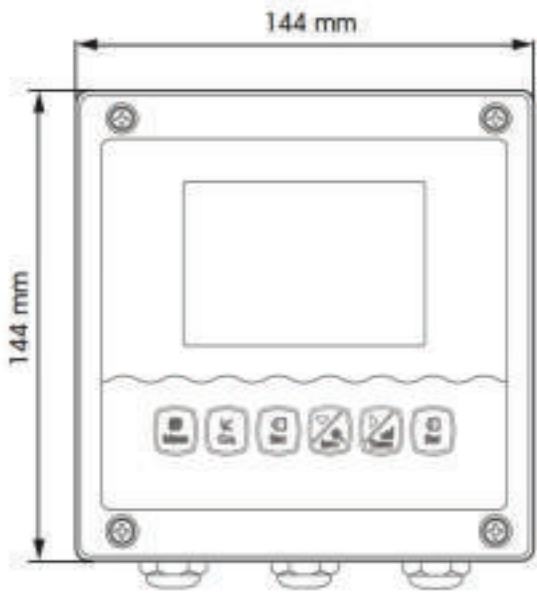
Ordering Informations

AC2000-1 : Universal Online pH/ORP Analyzer 1- Channel

AC2000-2 : Universal Online pH/ORP Analyzer 2- Channel

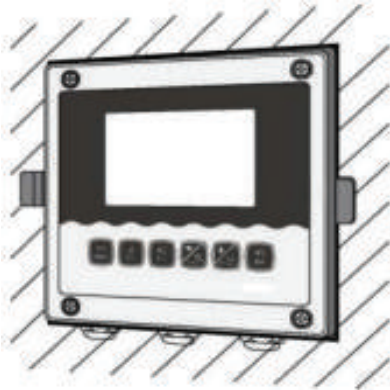
Please mention ther Application, Power Supply Options, Sensor Selections, Channel Size, Outputs, Temperature of the medium and Installation Methods while ordering for proper selectrion Controllers.

Dimensions



Instrument installation methods

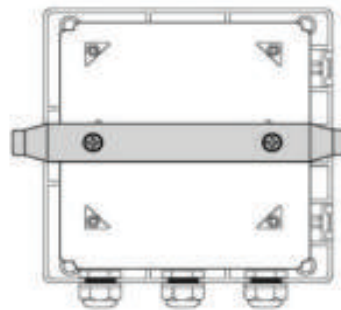
Embedded Installation



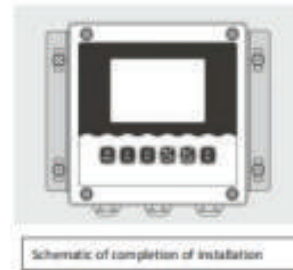
Schematic of completion of installation



- a. Embedded in an open hole
- B. Fix the instrument



Wall Mount Installation



Schematic of completion of installation

- A. Install a mounting bracket for the instrument
- B. Wall screw fixation

Top view of mounting bracket
Pay attention to installation direction



Coductivity/TDS/Salinity/Resistivity/ORP Sensors for AC2000



Labtech Electronics Private Limited

1/3, Kundrathur High Road, Periyapanicheri
Chennai-600128, TamilNadu, India

sales@labtech.co.in, www.labtech.co.in

+91 9840909211, 9840839875, 044-48605048

