

SURGICAL

CATALOGUE



PRODUCING QUALITY GOODS FOR 15 YEARS

We are Producers of quality surgical, dental, beauty and general stainless steel products in singleuse and multiuse type. We guarantee on our products and facilitate our customers with easy return policies.



For more information visit www.mjwintl.net

Manufacturers and Exporters of Surgical, Dental & Beauty Instruments

Head Office

BI24S 88/8 Bara Pathar
Christian Town, Sialkot
Pakistan (51310)
0092 524 264829

Branch Office

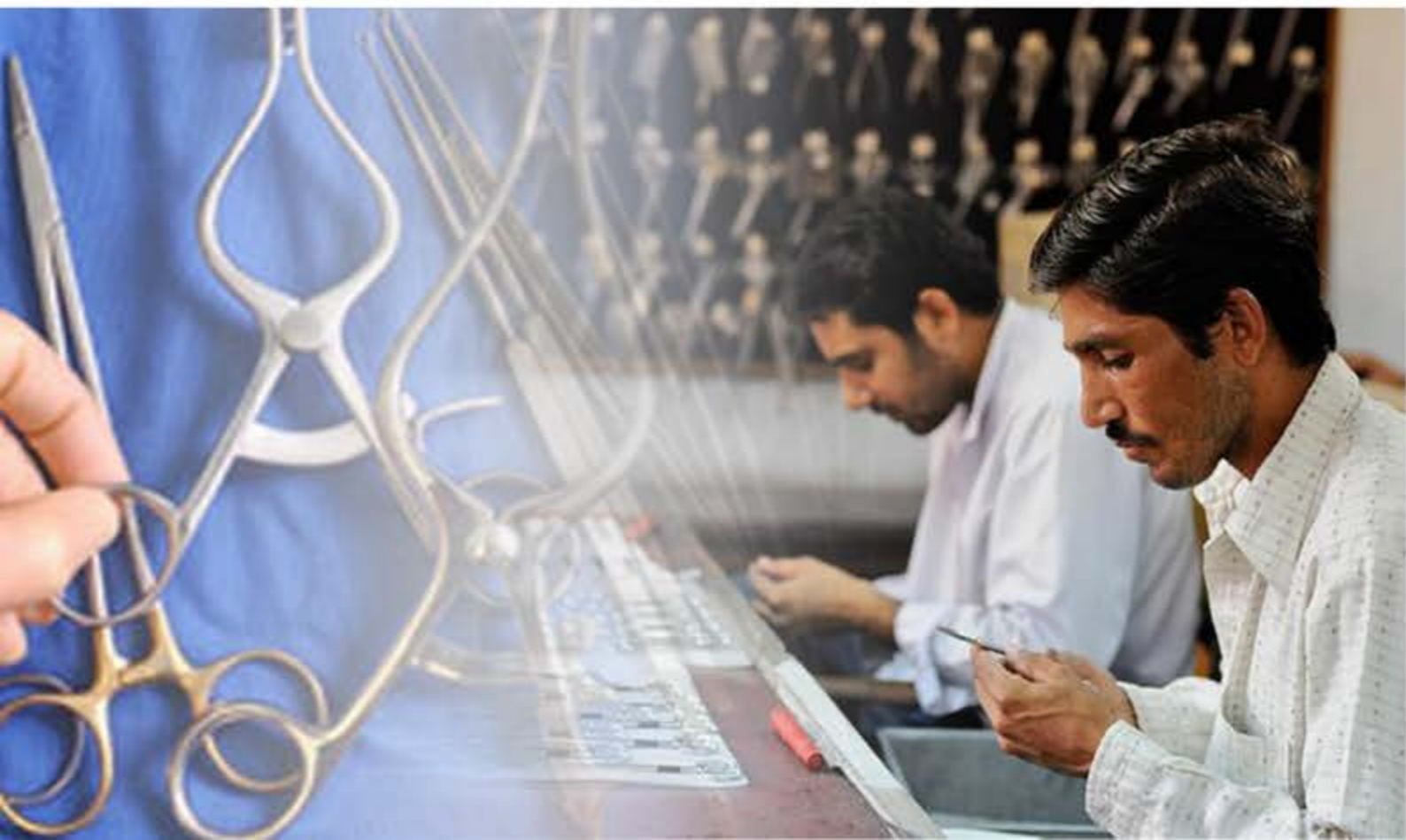
Flat 1, Kinsale Grange
57 Langley Park Road,
Sutton-Surrey SM2-5GZ UK.
Mob: 00447701084895

Contact Details

Email: info@mjwintl.net
mjwinternational2005@gmail.com
Mobile: 0092 321 712 1510
Mobile: 0092 333 371 3443



FACTORY OVERVIEW



INTRODUCTION

for fifteen years MJW Surgical has been supplying the Healthcare Industry with finest quality surgical instruments & innovative products for surgery. With our extensive knowledge and experience in the medical field, our products are specifically designed to offer both exceptional quality and value for money to Healthcare Professionals and Organisations. During the last few years there have been numerous developments within our company, with the Introduction of many new innovative products and services to our portfolio, which has allowed MJW Surgical to make a significant impact on the healthcare market. Our head office is based in Sialkot, Pakistan housing all Customer Service and Administrative functions. Additionally, we have an office in the UK covering Europe and the USA. Our range of specialised surgical instrumentation is uniquely manufactured in Sialkot to the highest standards of craftsmanship. Our goal is to continue to develop new, innovative medical products that will enhance the quality of surgical procedures.

OUR SERVICE COMMITMENT

QUALITY of All surgical instruments and products manufactured and distributed by MJW Surgical conform to the highest European and International Standards with all products bearing the relevant CE mark for their classification.

GUARANTEE OF SATISFACTION

All products undergo rigorous quality control assessment and are fully guaranteed. Any product proving unsatisfactory in normal use will be replaced or repaired free of charge following inspection.

VALUE FOR MONEY

We believe our surgical instruments and products to be competitively priced representing excellent value for money. We are happy to offer discounts for contracts.

QUOTATION SERVICE

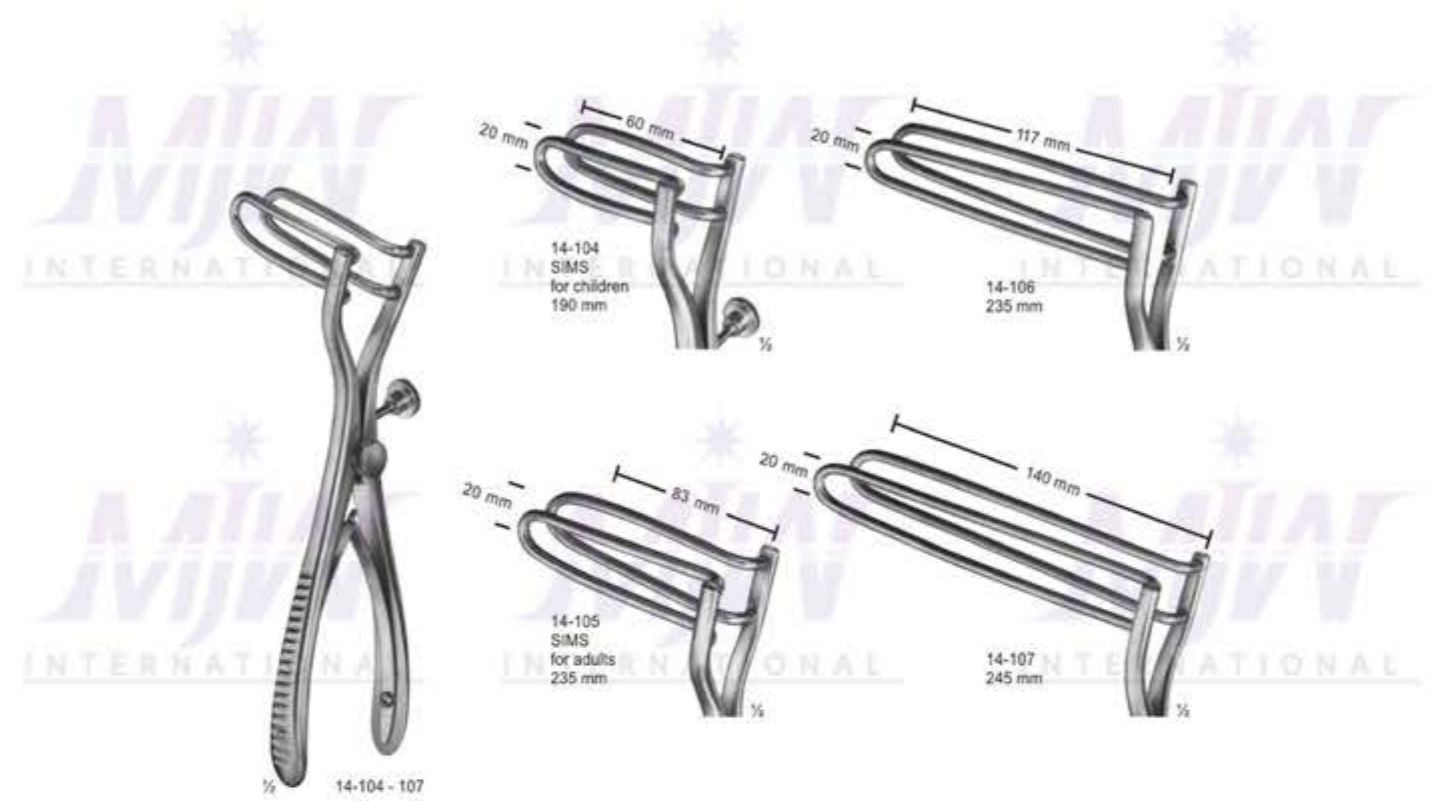
We offer a no obligation quotation service whereby we will specify, code and price your requirements using our extensive product library which enables us to cross-reference most products.

PRODUCT INFORMATION

Sectional catalogues are available for most surgical specialities.

INNOVATION

Our objective is to work in close conjunction with all medical and nursing personnel to develop new and innovative products and services.





14-110
IVES-FANSLER
Anuscope
145 mm
24mm ϕ



14-111
KELLY
Sphincteroscope
160 mm
21mm ϕ



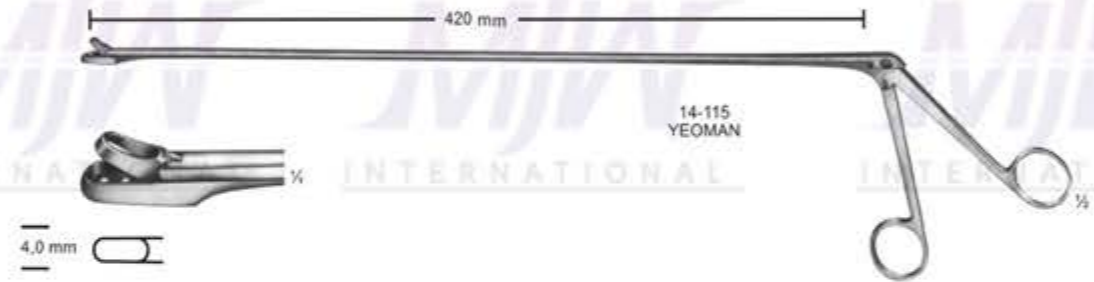
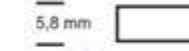
14-112
KELLY
Sphincteroscope
160 mm
27mm ϕ



14-113
KELLY
Proctoscope
140 mm
22mm ϕ



14-114



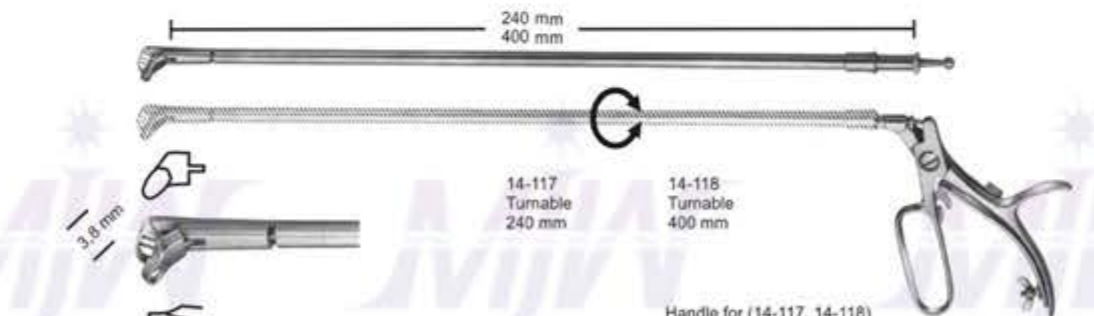
14-115
YEOMAN



14-116
HERGET



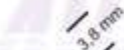
With Drawing Cut



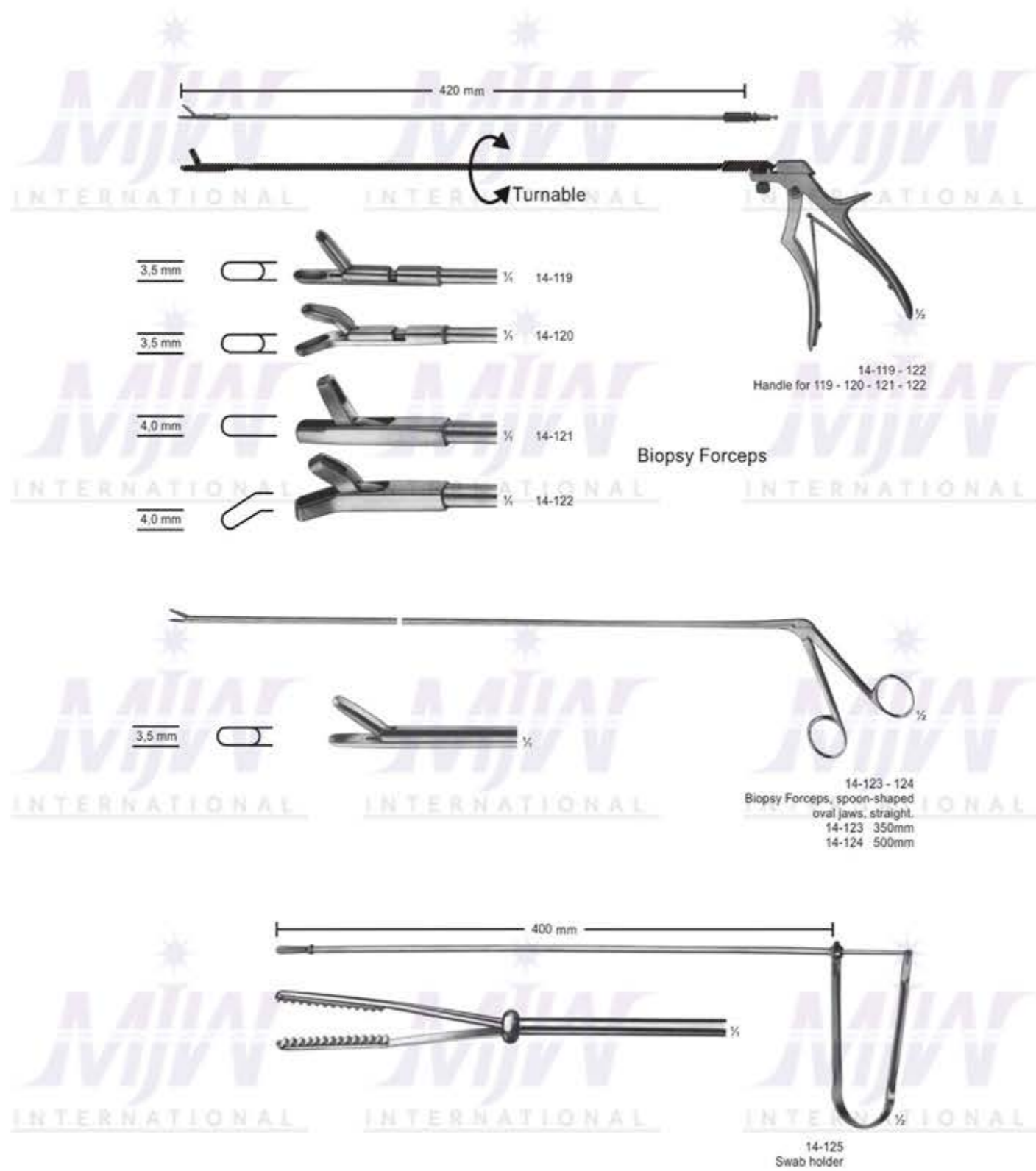
14-117
Turnable
240 mm

14-118
Turnable
400 mm

Handle for (14-117, 14-118)



With Drawing Cut,
Attachments only



Atraumata

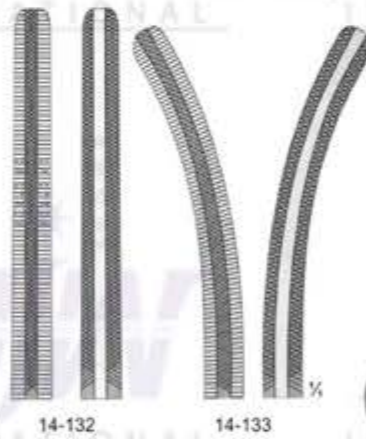


14-130
250 mm-14-131
270 mm



14-132 - 133
FERGUSSON
200 mm

Pressure Clamp



14-132 14-133



14-134
RUDD
Haemorrhoidal ligator
with loading
attachment and 100
ligature rubber rings
315 mm



14-135
LOWER
180 mm



14-136
LAHEY (SWEET)
190 mm



14-137
LAHEY
220 mm

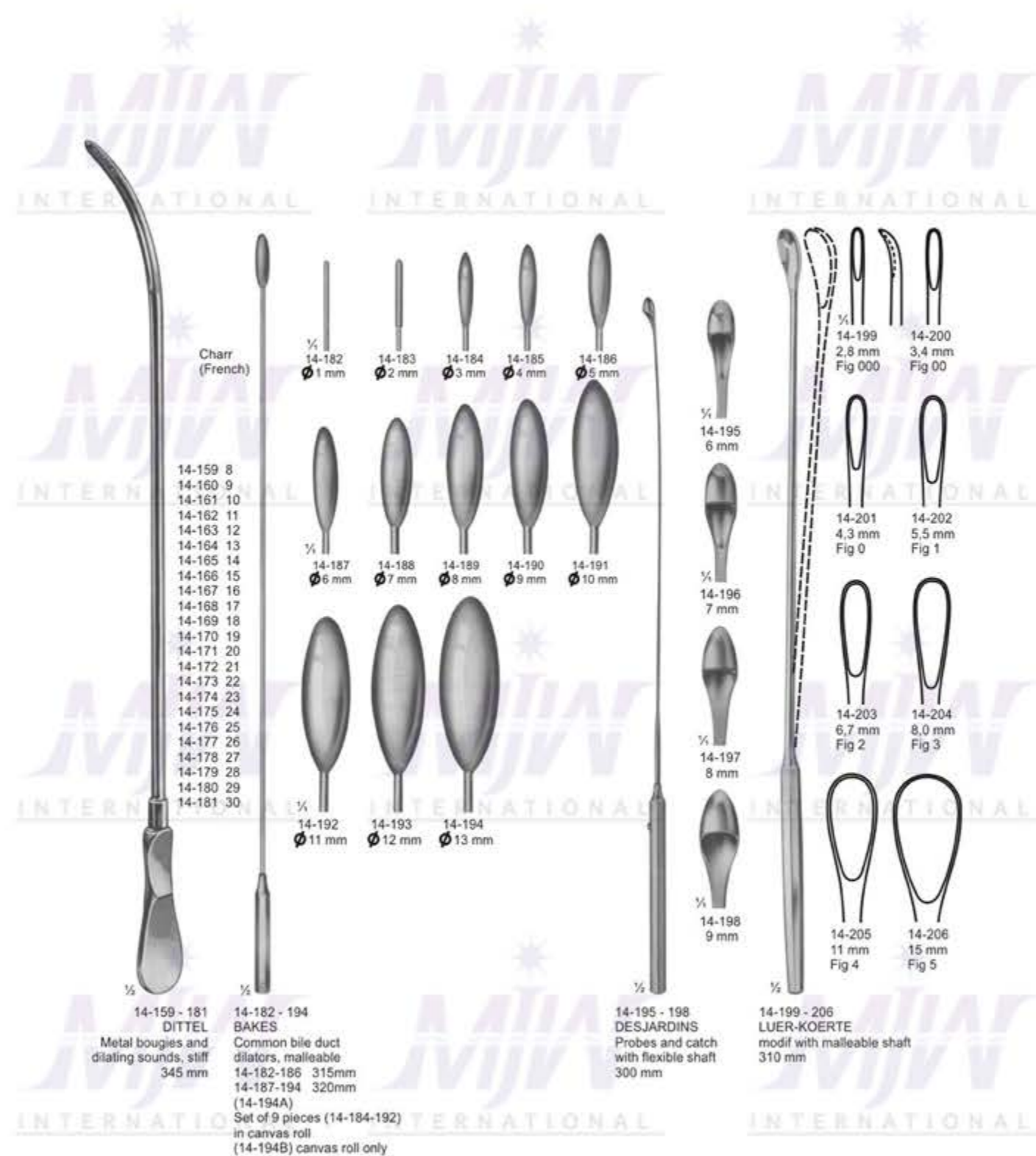
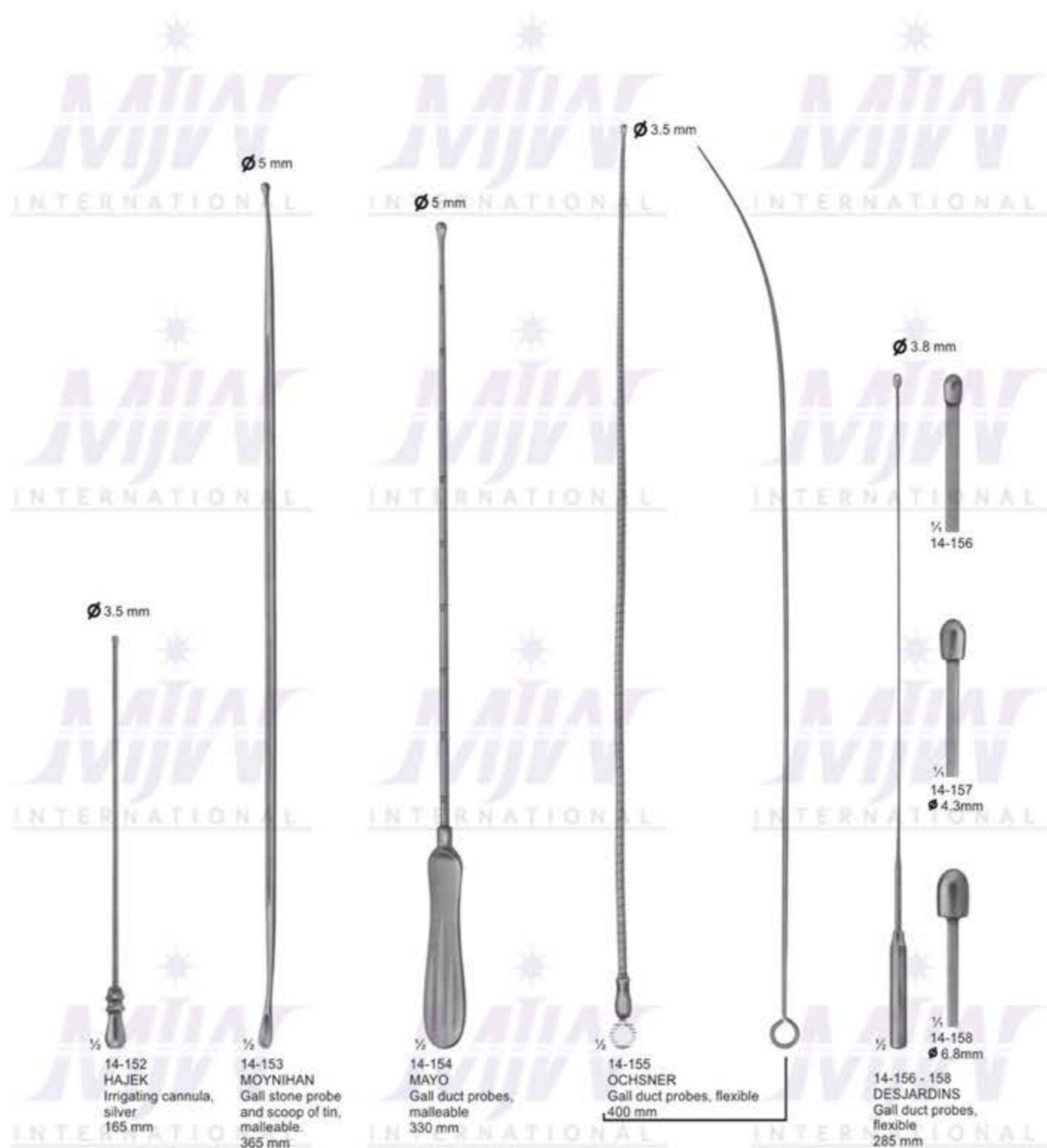


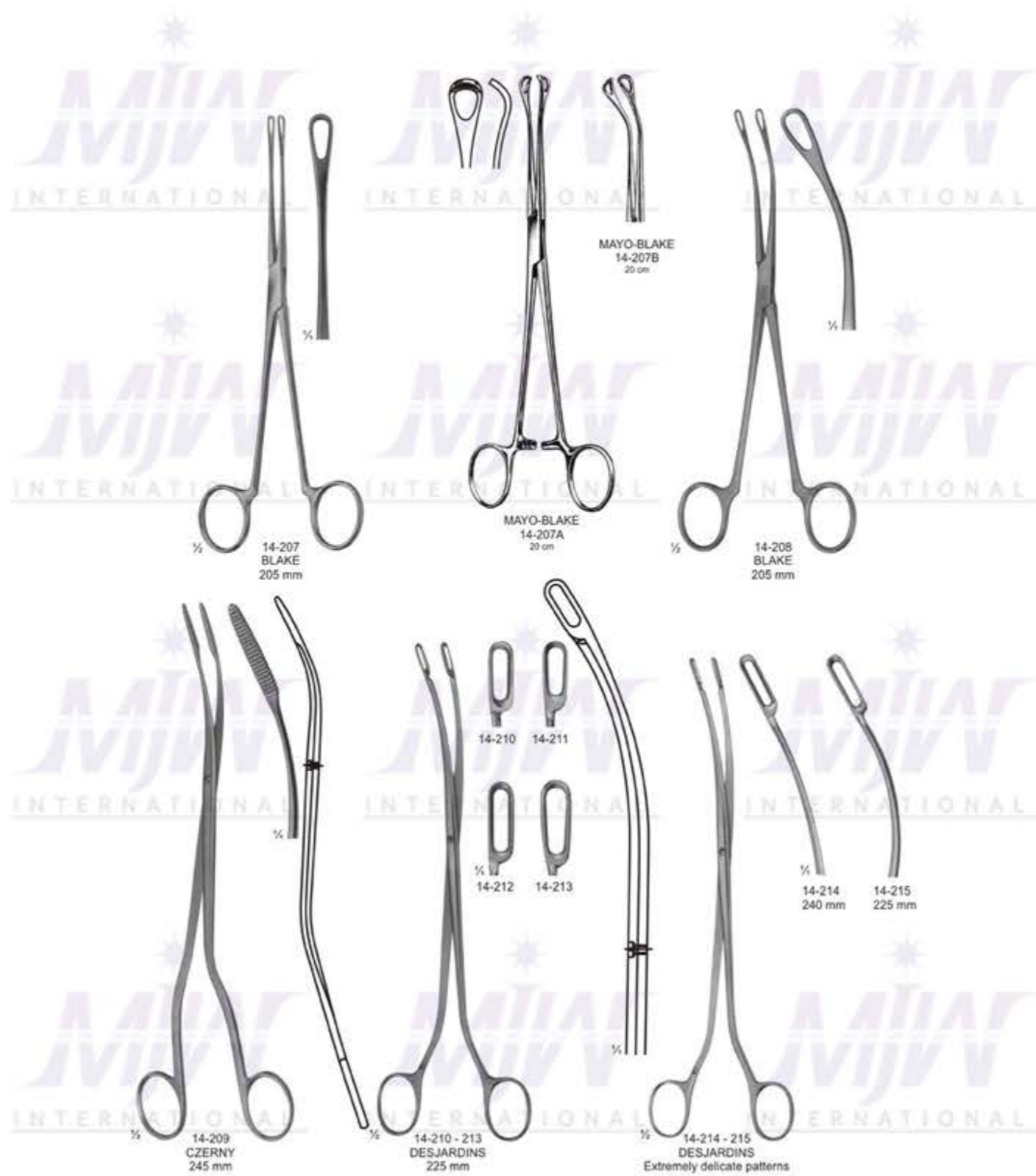
14-138
DESJARDINS
Gall duct-and cystic forceps
210 mm



14-139
NISSEN
Gall duct-and cystic forceps
215 mm









14-222
STILLE
220 mm



14-223
HERRICK
225 mm



14-224
WERTHEIM
225 mm



14-225
COLLIN
285 mm



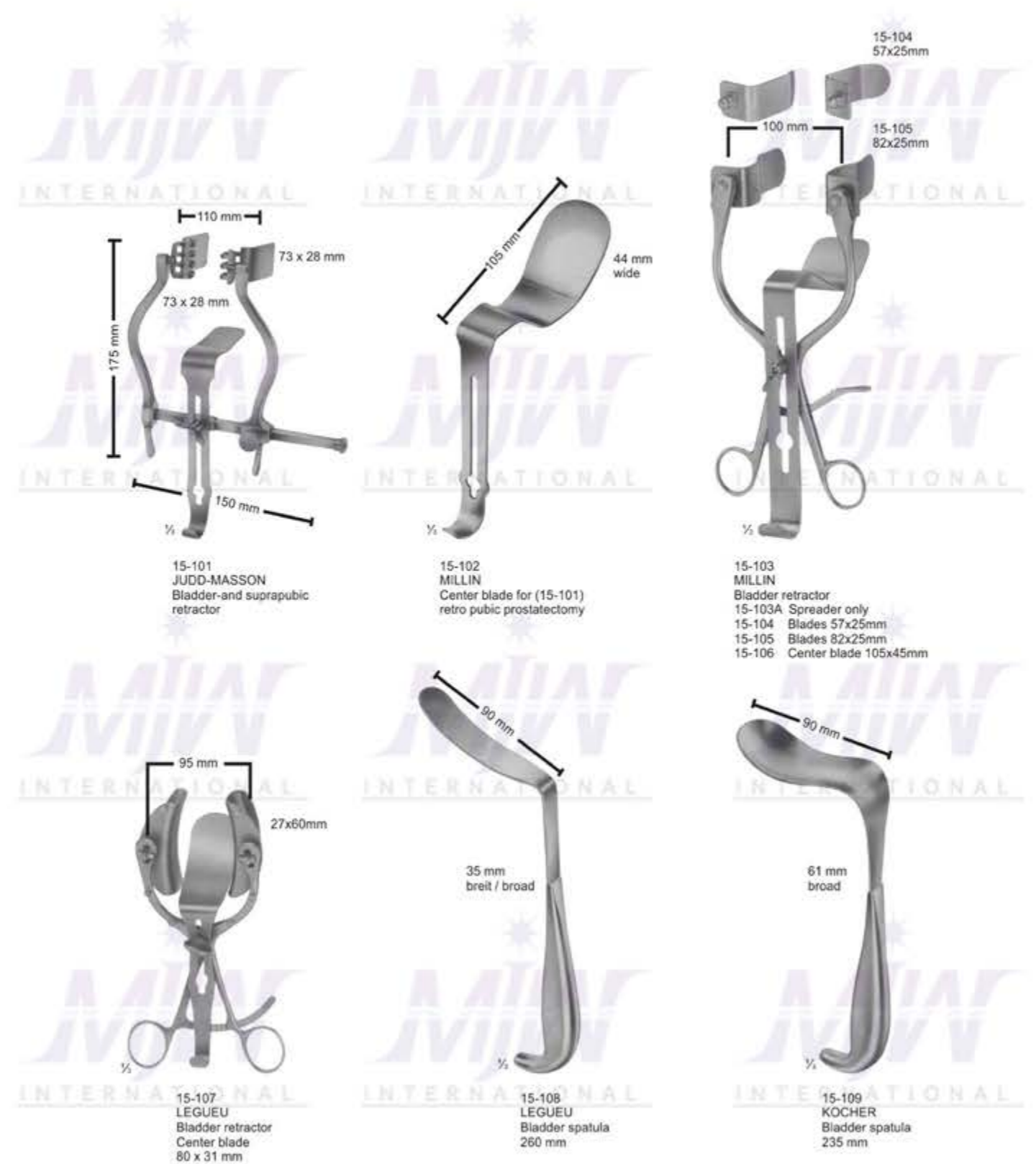
14-226
DARTIGUES
255 mm



ELSASSIER
14-226A
20 cm
Fig. 1



ELSASSIER
14-226B
20 cm
Fig. 2





15-110
MATHIEU
Foreign body forceps
Length of shaft
190 mm



15-111
MILLIN
Lobe grasping
forceps
235 mm



15-112
Ureter forceps
240 mm



15-113
MILLIN
Lobe grasping
forceps
245 mm



15-114
MILLIN
Bladder neck spreader
285 mm



15-115
GUYON
Catheter guide
(introducer)
365 mm



VEN BUREN
15-115-8 to 15-115-36
Set of 29



15-116 - 128
Female catheters,
metal
160 mm



15-129 - 151
DITTEL
Urethral bougies
and dilating sounds
345 mm



15-152 - 188
GUYON
Urethral bougies
and dilating sounds,
without filiform guides,
with thread in tip
255 mm

| Charr. (French) | Ben. (French) |
|-----------------|--------------------------|
| 15-129 8 | 15-152 Ben. 24/Charr. 12 |
| 15-130 9 | 15-153 Ben. 25 |
| 15-131 10 | 15-154 Ben. 26/Charr. 13 |
| 15-132 11 | 15-155 Ben. 27 |
| 15-133 12 | 15-156 Ben. 28/Charr. 14 |
| 15-134 13 | 15-157 Ben. 29 |
| 15-135 14 | 15-158 Ben. 30/Charr. 15 |
| 15-136 15 | 15-159 Ben. 31 |
| 15-137 16 | 15-160 Ben. 32/Charr. 16 |
| 15-138 17 | 15-161 Ben. 33 |
| 15-139 18 | 15-162 Ben. 34/Charr. 17 |
| 15-140 19 | 15-163 Ben. 35 |
| 15-141 20 | 15-164 Ben. 36/Charr. 18 |
| 15-142 21 | 15-165 Ben. 37 |
| 15-143 22 | 15-166 Ben. 38/Charr. 19 |
| 15-144 23 | 15-167 Ben. 39 |
| 15-145 24 | 15-168 Ben. 40/Charr. 20 |
| 15-146 25 | 15-169 Ben. 41 |
| 15-147 26 | 15-170 Ben. 42/Charr. 21 |
| 15-148 27 | 15-171 Ben. 43 |
| 15-149 28 | 15-172 Ben. 44/Charr. 22 |
| 15-150 29 | 15-173 Ben. 45 |
| 15-151 30 | 15-174 Ben. 46/Charr. 23 |
| | 15-175 Ben. 47 |
| | 15-176 Ben. 48/Charr. 24 |
| | 15-177 Ben. 49 |
| | 15-178 Ben. 50/Charr. 25 |
| | 15-179 Ben. 51 |
| | 15-180 Ben. 52/Charr. 26 |
| | 15-181 Ben. 53 |
| | 15-182 Ben. 54/Charr. 27 |
| | 15-183 Ben. 55 |
| | 15-184 Ben. 56/Charr. 28 |
| | 15-185 Ben. 57 |
| | 15-186 Ben. 58/Charr. 29 |
| | 15-187 Ben. 59 |
| | 15-188 Ben. 60/Charr. 30 |



| | | |
|-----------|-----------|-----------|
| Fr. | Fr. | Fr. |
| 15-189-08 | 15-189-19 | 15-189-30 |
| 15-189-09 | 15-189-20 | 15-189-31 |
| 15-189-10 | 15-189-21 | 15-189-32 |
| 15-189-11 | 15-189-22 | 15-189-33 |
| 15-189-12 | 15-189-23 | 15-189-34 |
| 15-189-13 | 15-189-24 | 15-189-35 |
| 15-189-14 | 15-189-25 | 15-189-36 |
| 15-189-15 | 15-189-26 | |
| 15-189-16 | 15-189-27 | |
| 15-189-17 | 15-189-28 | |
| 15-189-18 | 15-189-29 | |

Assisted by two haemostats or ligatures the foreskin is pushed over the bell-shaped protection - rod and the glass is placed into it.
By now, the wing - nut is tightened as close as possible, so the foreskin is annularly compressed. The foreskin is cut with a scalpel, right next to the compression ring. The circumcision clamp remains a few minutes to avoid bleeding. In case that any large vein, especially the frenular artery, is cut through, a ligature must be set.
The advantage of the method described is the cosmetically favourable scar which is left after rejection of the small necrotized portion.



Circumcision Clamps

| | |
|--------------|------|
| 15-190 - 192 | |
| WINKELMANN | |
| 15-190 | 12mm |
| 15-191 | 16mm |
| 15-192 | 20mm |



MOGEN 15-192A 7 cm



| | |
|----------|-------|
| 15-190 A | 8 mm |
| 15-190 B | 11 mm |
| 15-190 C | 13 mm |
| 15-190 D | 16 mm |
| 15-190 E | 21 mm |
| 15-190 F | 26 mm |
| 15-190 G | 32 mm |

Luer Lock



15-193 KLIMA ROSEGGER 35 X 1,8 mm Sternal puncture needle



15-194 Universal trocar with 4 tips

| | | |
|--------------|-------------|--------------|
| 15-195 - 199 | | |
| NELSON | Inside diam | Outside diam |
| 15-195 | 2,2 mm | 3,0 mm |
| 15-196 | 3,0 mm | 4,0 mm |
| 15-197 | 4,0 mm | 5,0 mm |
| 15-198 | 5,0 mm | 6,0 mm |
| 15-199 | 5,5 mm | 6,5 mm |

for hydrocele and abdominal puncture



| | | |
|--------------|-------------|--------------|
| 15-200 - 203 | Inside diam | Outside diam |
| 15-200 | 2,2 mm | 3,0 mm |
| 15-201 | 3,0 mm | 4,0 mm |
| 15-202 | 4,0 mm | 5,0 mm |
| 15-203 | 5,0 mm | 6,0 mm |

for abdominal puncture, with stop-cock and lateral drain



| | | |
|--------------|-------------|--------------|
| 15-204 - 205 | | |
| BUELAU | Inside diam | Outside diam |
| 15-204 | 6,5 mm | 8,0 mm |
| 15-205 | 9,0 mm | 10,0 mm |

Empyema trocar



| | | |
|--------------|-------------|--------------|
| 15-206 - 209 | | |
| OCHSNER | Inside diam | Outside diam |
| 15-206 | 3,0 mm | 4,0 mm |
| 15-207 | 3,6 mm | 4,6 mm |
| 15-208 | 4,3 mm | 5,3 mm |
| 15-209 | 5,0 mm | 6,0 mm |

Gall bladder trocars



15-210 PIERCE Antrum trocar 4,0 mm



15-211 COAKLEY Antrum trocar 3,0 mm