



PowerFlo® VS 300

»»» Above-Ground Variable-Speed Pump

VARIABLE-SPEED TECHNOLOGY THAT
PAYS FOR ITSELF IN ENERGY SAVINGS



EXPERT LINE

✓ PREMIUM PRODUCTS

✓ LONGER WARRANTIES

✓ ONLY FROM POOL PROS

See-through strainer cover lets you see when the basket needs emptying

Extra-large strainer basket holds more debris for less-frequent maintenance



Built-in controller features an LED screen and keypad for easy operation

Permanent magnet, totally enclosed fan-cooled (TEFC) motor provides maximum energy efficiency and long-lasting performance



VARIABLE-SPEED SAVINGS

PowerFlo® VS 300 is designed for maximum efficiency, providing up to 80% energy savings over single-speed pumps and paying for itself within two seasons of usage. Its ENERGY STAR® rating means local utility rebates may apply, too.



QUIETER THAN EVER

Minimize poolside noise and maximize relaxation with PowerFlo VS 300. Its industry-leading hydraulic design provides incredibly quiet operation especially at lower, energy-saving speeds.



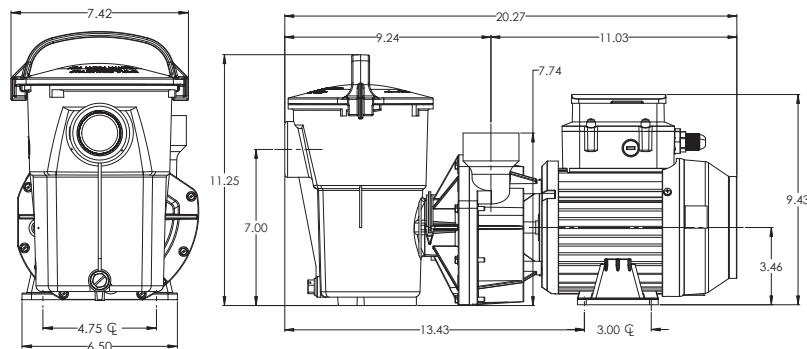
OPERATION MADE EASY

PowerFlo VS 300 is equipped with a built-in controller and an LED screen and keypad for simple, intuitive operation.

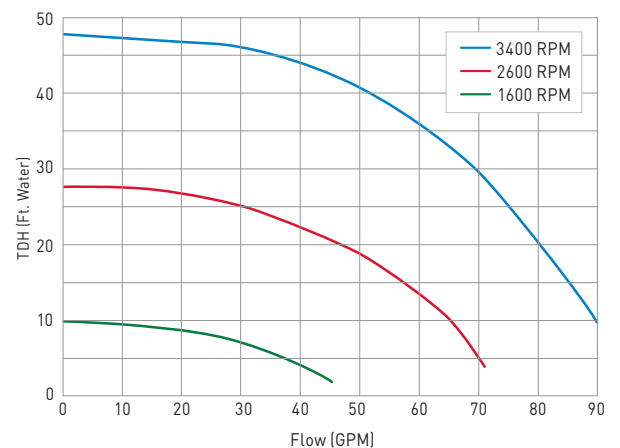


SPECIFICATIONS				
MODEL NUMBER	HORSEPOWER	VOLTAGE	CORD LENGTH	WARRANTY
SP1580X15VSP	1.5	115V	3 feet	2 years

POWERFLO VS 300 DIMENSIONS (INCHES)



POWERFLO VS 300 PERFORMANCE COMPARISON



* Compared to single-speed pumps.

» hayward.com » 1-888-HAYWARD

PowerFlo VS 300 pumps are listed by:

Pumps » Filters » Heaters » Cleaners » Sanitization » Automation » Lighting » Water Features » White Goods

Hayward, Hayward & Design, the H logo and PowerFlo are registered trademarks of Hayward Industries, Inc. ENERGY STAR is a registered mark owned by the U.S. government. All other trademarks not owned by Hayward are the property of their respective owners. Hayward is not in any way affiliated with or endorsed by those third parties. © 2018 Hayward Industries, Inc.



LITABGVSP18