

PowerFlo II™

SELF-PRIMING ABOVE-GROUND
POOL PUMP SERIES



Reliable performance and quiet operation

- Self-priming
- Heavy-duty motor with stainless steel motor shaft and automatic thermal overload protector for maintenance-free operation
- Durable corrosion-proof housing for all-weather performance and quiet operation
- Heat-resistant double sized seal for long motor life
- Unique, integral diffuser ensures rapid priming



Clear Cover
lets you see when the basket needs cleaning

Extra Large Basket
extends time between cleaning

Heavy Duty Motor
offers proven performance and quiet operation

Integrated Self-Priming
capability



ABOVE-GROUND POOL PUMP SERIES

The Power-Flo II is a versatile, self-priming pump designed to meet the varying specifications of above-ground and on-ground swimming pools.

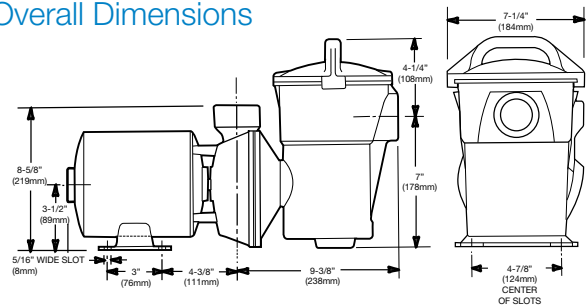
The Power-Flo II incorporates features usually found only on higher priced in-ground pumps such as self-priming ability, a large 91 cubic-inch strainer basket, a heavy duty motor with stainless steel shaft, and a quick-release “see-thru” strainer cover.

Durable and economical, the Power-Flo II continues to set the standard for value and performance for above-ground pumps.

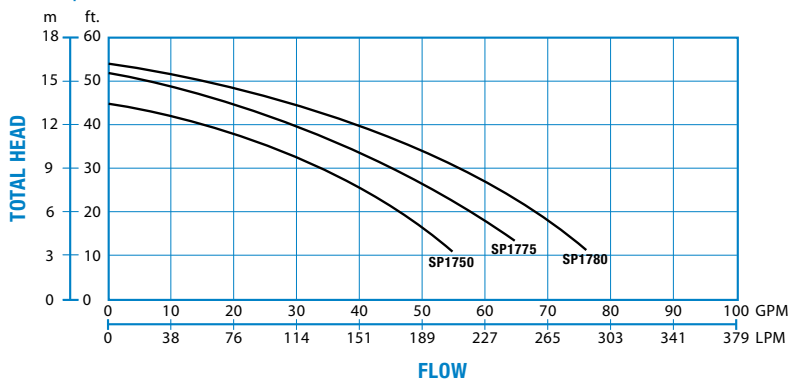
Power-Flo II Specifications

Model	Motor HP	Power KW	Inlet/Outlet
SP1750	1/2	0.37	1 1/2"
SP1775	3/4	0.56	1 1/2"
SP1780	1	0.75	1 1/2"

Overall Dimensions



Pump Performance



Super-size 91-cubic-inch basket has extra leaf-holding capacity and extends time between cleanings. Rigid construction with load-extender ribbing ensures free-flowing operation for heavy debris loads.

To take a closer look at Hayward Pumps or other Hayward products, go to www.hayward.com or call 1-888-HAYWARD.



620 Division Street | Elizabeth, NJ 07201