

6208

1113

992

1018

1018

1018

1018

150

450

**M20 PCC BLOCK
SIZE : 450X300X150**

278

1956

1436

242

660

15°

300

990

1450

220

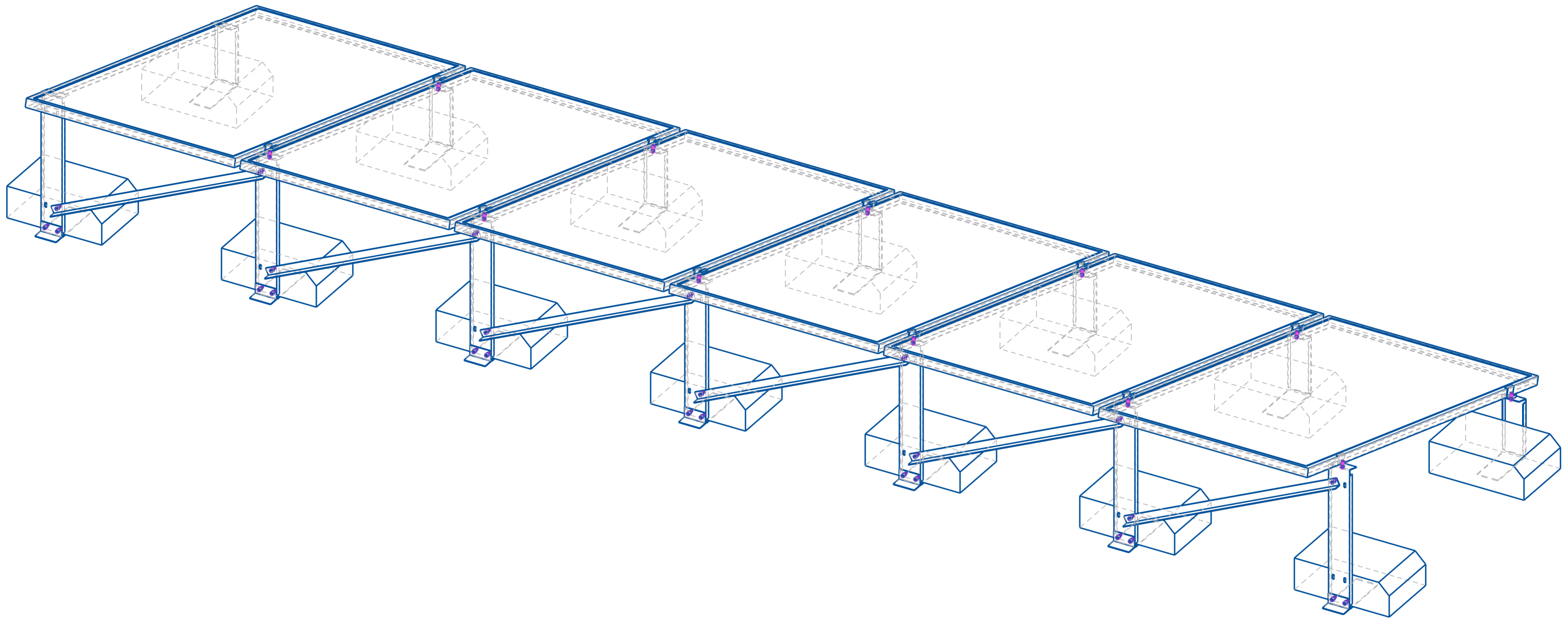
EPDM RUBBER SHEET

1889

COPYRIGHT:- This Drawing/Information is Copyright,
 and the Property of ARS Solar Tech Pvt. Ltd. It Must
 not be Copied, Reproduced or Used for any Purpose
 without the Written Consent of the Company.

D:\back up e\MAYUR\CREO\STRUCTURES\ENQUIRY\HF-EN-201809002380\REENTECH ENERGY\CREO\				TOLERANCE - (EXCEPT AS NOTED) AS PER ISO 2768-C		LINEAR DIMENSIONS		ANGULAR DIMENSIONS			
ARS SOLAR TECH PVT.LTD				DIMENSION		TOLERANCE		LENGTH		TOLERANCE	
				0-30		± 0.2		0-10		± 1° -30'	
				30-120		± 0.8		10-50		± 1°	
				120-400		± 1.2		50-120		± 0.30'	
ALL DIMENSIONS ARE IN mm.				400-1000		± 2.0		120-400		± 0.15'	
				1000-2000		± 3.0		400above		± 0.10'	
DRN. BY		SRB		SIGN		DATE		CLIENT:		SCALE: NTS	
CHKD. BY		MJ		SIGN		DATE		PROJECT NAME:		SHEET NO.: 01 OF 02	
APPRD. BY		SSS		SIGN		DATE		TITLE:		DRG. NO.:	
								RAPIDFIX 2.0 15°			
								ASSEMBLY-1			

NO.	DATE	ALTERATIONS	DRN. BY	APPRD. BY



ITEM NO	PART NAME	QTY	DESCRIPTION	MATERIAL
1	BACK-BRACING	6	L-ANGLE 35X35X2.5THK	E-250 IS-2062:2011-HDG
2	BASE_SUPPORT	7	L-ANGLE 50X50X2.5X100	E-250 IS-2062:2011-HDG
3	ENDCLAMP	4	42MM	AL- 6063 T6
4	HEX_NUT	38	M8	SS:304
5	LEG_LARGE	7	SHEET 766X180X2.5THK.	E-250 IS-2062:2011-HDG
6	LEG_SMALL	7	SHEET 382X180X2.5THK.	E-250 IS-2062:2011-HDG
7	M8_SHCS	12	M8X25	SS:304
8	M8X25MM_HHCS	26	M8X25MM_HHCS	SS:304
9	MIDCLAMP	10	26MM	AL- 6063 T6

D:\back up e\MAYUR\CREO\STRUCTURES\ENQUIRY\HF-EN-201809002380 REENTECH ENERGY\CREO				TOLERANCE - (EXCEPT AS NOTED) AS PER ISO 2768-C		LINEAR DIMENSIONS		ANGULAR DIMENSIONS	
ARS SOLAR TECH PVT.LTD				DIMENSION	TOLERANCE	LENGTH	TOLERANCE		
				0-30	± 0.2	0-10	± 1° -30'		
				30-120	± 0.8	10-50	± 1'		
				120-400	± 1.2	50-120	± 0.30'		
ALL DIMENSIONS ARE IN mm.				400-1000	± 2.0	120-400	± 0.15'		
				1000-2000	± 3.0	400above	± 0.10'		
DRN. BY	SRB		06.12.18	CLIENT:				SCALE: NTS	
CHKD. BY	MJ		06.12.18	PROJECT NAME: RAPIDFIX 2.0 15°				SHEET NO.: 02 OF 02	
APPRD. BY	SSS		06.12.18	TITLE: ASSEMBLY-2				DRG. NO.:	

NO.	DATE	ALTERATIONS	DRN. BY	APPRD. BY

COPYRIGHT: This Drawing/Information is Copyright and the Property of ARS Solar Tech Pvt. Ltd. It Must not be Copied, Reproduced or Further Used for any Purpose without the Written Consent of the Company.