

# Table of Contents



Astragal .....	5
Backband.....	6
Bar Rail.....	7
Base Caps.....	8
Base.....	9
Brick Molding.....	32
Bullnose.....	32
Casing.....	33
Chair Rail.....	54
Closet Pole.....	56
Column Base .....	57
Cove.....	57
Crown.....	58
Dentil Block.....	101
Drip Cap.....	101
Half Rounds.....	102
Hand Railing.....	102
Mantle Molding.....	105
Nose and Cove.....	105
Panel.....	106
Pencil.....	109
Picture.....	110
Plinth Block.....	110
Porch Floor.....	112
Quarter Round.....	112
Ship Lap.....	113
Shoe.....	114
Sill .....	115
Stop.....	116
Tongue & Groove .....	117
Mantles.....	119
Columns and Rails.....	120



*Serving the Professional Builder and Remodeler with a full line of building products*

***Serving builders, contractors and the general public for over 60 years***

Kleet Lumber was founded by Maxwell Kleet in 1946 and has been serving developers, custom builders, remodeling contractors and homeowners ever since. Now owned by Maxwell's twin sons, Howard and Warren, the company supplies lumber, millwork, roofing, siding, windows and a full line of building products throughout Long Island and metro New York. Whatever your building needs, you can rely on Kleet for quality products, experienced advice, timely deliveries and professional follow-up.



***The widest selection of engineered lumber cut to order***

We stock a broad range of Boise brand I Joists, LVLs to 52 feet in length, Power Beams, posts and rim board. Simpson Strong Ties are on hand for just about every possible application both for engineered wood and conventional framing. Made-to-order headers and beams are just a few of the engineered lumber products that we offer. For a complete list of our engineered wood products and specifications, please check our website at [www.kleet.com](http://www.kleet.com).

***Roof Trusses, Floor Trusses and Wall Panel Assemblies***

We offer custom made-to-order floor, roof and wall systems. Working with our manufacturers, a certified system can be designed for your residential single family, multifamily or commercial project. We offer both wood I beam and open web style designs.

Mouldings in photos constructed by



Photos by Robert Lowell Photography

## ***Windows and Exterior Doors for All Purposes***

We deal in aluminum, wood, vinyl and composite windows and exterior doors. We offer major brands such as Marvin made-to-order, Kolbe, Integrity by Marvin, Capitol vinyl, Quaker windows and doors in aluminum, vinyl and wood for both residential and commercial applications. We offer plan take-off service and can competitively bid many solutions for your window and door needs. In our millwork shop, we can match and assemble units not normally offered by manufacturers. Wood or PVC trim, both interior and exterior can be custom made to complement your windows for that architectural look you wish to achieve. We have a professional field service staff who can solve all field related situations normally



associated with windows and doors. In addition to sliding, French and traditional hinged styled doors offered by these manufacturers, we carry Thermo-Tru and Masonite fiberglass entry doors, sidelight and window transom systems, Simpson, Jeldwren, Buffelen doors and IWP wood doors in several species. Prefinishing of many of our offerings is available.



## ***Exterior Trim***

Today many builders, remodeling contractors and homeowners are asking for more choices in exterior trims. We carry Azek PVC trim products in 1" and 5/4" stock thickness and in widths to 12". Prime Pine, Fypon, Clear and STK cedar, mahogany and common pine complete our stocking choices. All of our products can be custom milled to your every requirement. PVC Azek can be milled and heat shaped to just about any building specification. We can, at your request, apply any of our trim choices to your millwork order.

## ***Interior Doors***

We distribute all leading brands of interior doors. Doors produced from Masonite, Jeld-Wen, Simpson just to name a few are available in every imaginable style, width, thickness and species. You can purchase pre-hung and a variety of jamb configurations for whatever jobsite condition you might encounter. Our millwork shop can hang your

---

order to your specification regarding jambs and hardware. We carry Kwitset, Schlage, Baldwin, Emtek and many other quality brand locksets that can be keyed to your request.

### ***Custom Moulding and Millwork***

Kleet Lumber custom mill shop offers customers the advantage of custom specialty millwork created by our skilled and talented craftsmen. Our custom moulding machines are specially designed to produce a variety of mouldings. These include moulding profiles up to 10" in width in species such as poplar, pine, mahogany, cedar, PVC, cherry and oak. In addition, we can produce mantels, specialty rails, columns, raised panels and just about anything you can draw. Decorative accents, entranceway components and specialty shelving PVC are just a few examples of our capabilities. We deliver our window and millwork products in our box van truck fleet.

### ***Siding and Related Products***

Kleet Lumber provides siding and accessory items from a number of leading manufacturers in a variety of materials. Our siding options include vinyl siding from Georgia-Pacific, fiber cement from James Hardie, Western red cedar clapboard and shingles, Eastern cedar from Maibec and man-made stone from Owens-Corning. We have on hand all of the popular accessories such as Tyvek house wrap, Dow insulation boards, sealants and corner boards.

### ***Designer Showroom***

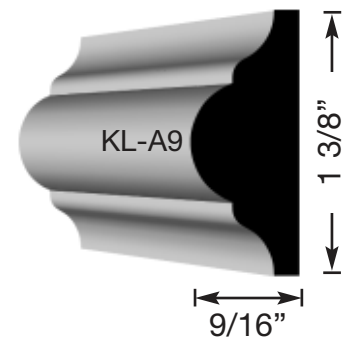
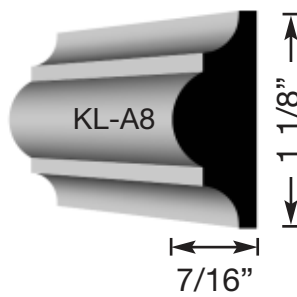
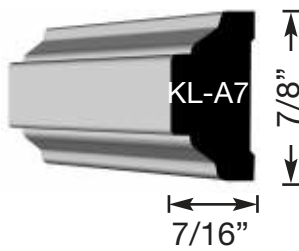
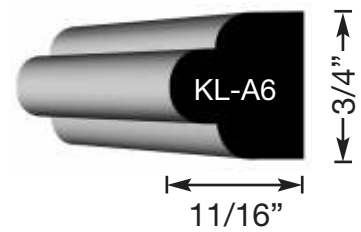
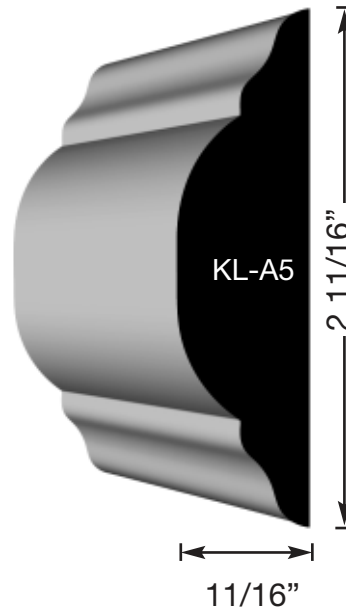
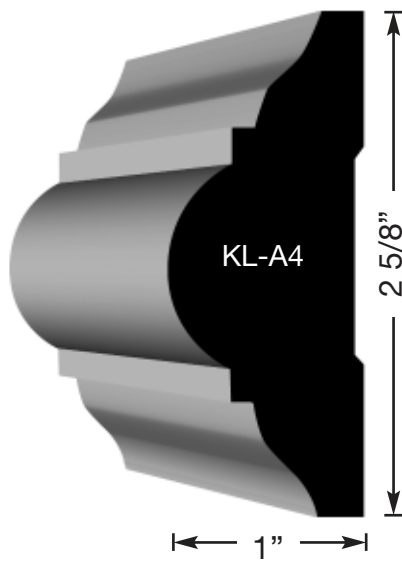
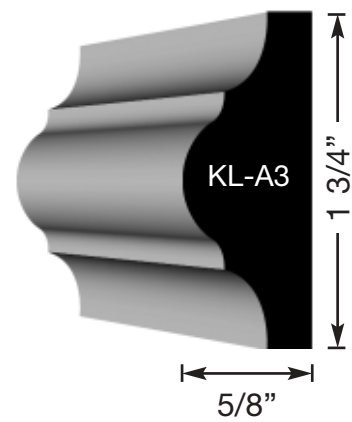
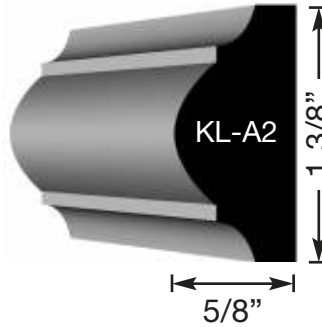
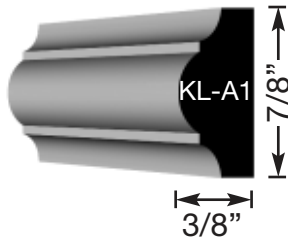
Kleet Lumber welcomes you to visit our award winning designer showroom where you will find product displays as well as information to help your clients decide exactly what will work best for their project. Our professional staff with many years experience is well informed and eager to discuss and explain the products we carry and services we offer. We have our website, [www.kleet.com](http://www.kleet.com), with all of the product links available for your use as you view full size displays in our showroom. We continually change our displays with the latest edition products.

### ***Unsurpassed Services***

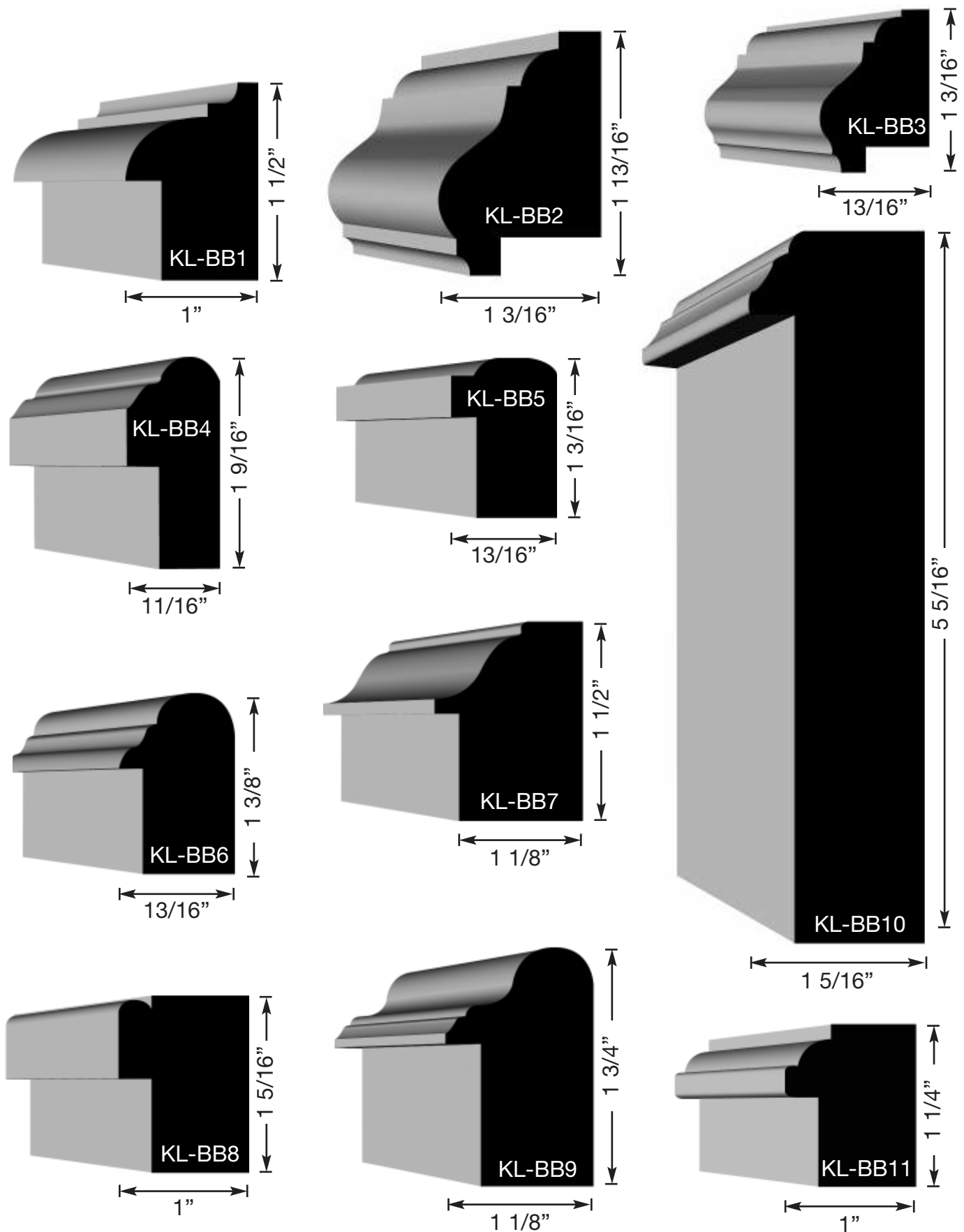
Our experienced service personnel at Kleet promises every client unsurpassed service in every situation. This includes our personalized outside field sales force. Blueprint takeoffs and recommendations for specific products are typical of the special attention each of our employees give to you. Recently voted "Lumber Dealer of the Year" by *Pro-Sales* magazine assures you of the highest level of professional help and service. ■

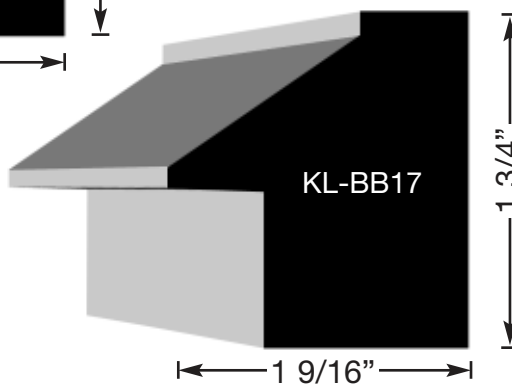
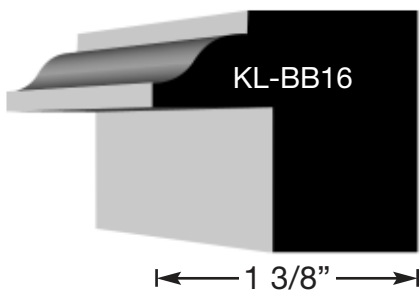
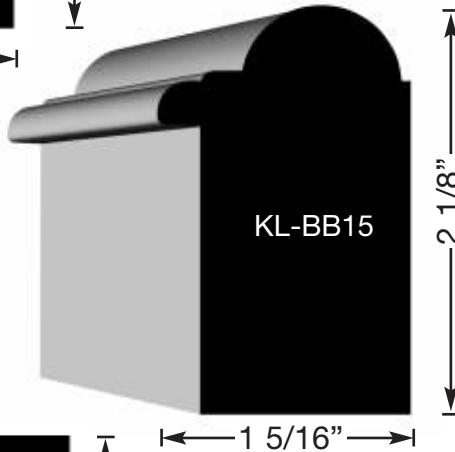
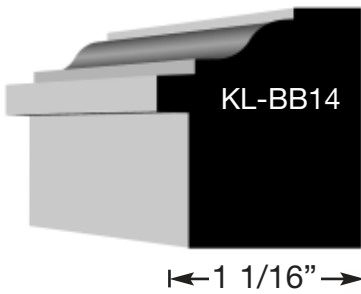
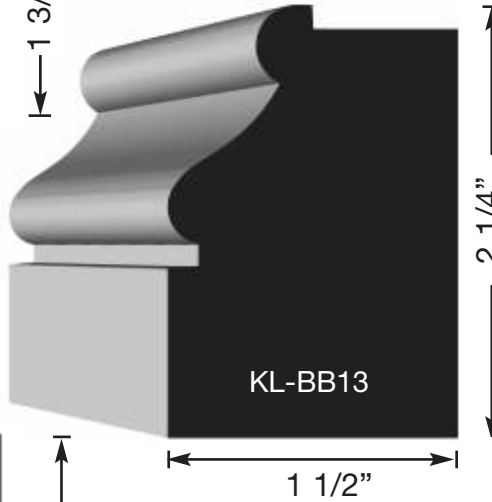
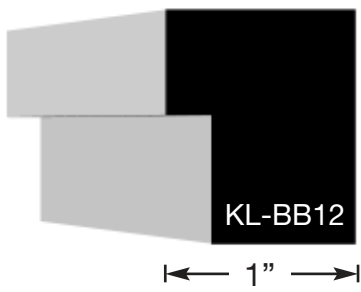


# Astragal



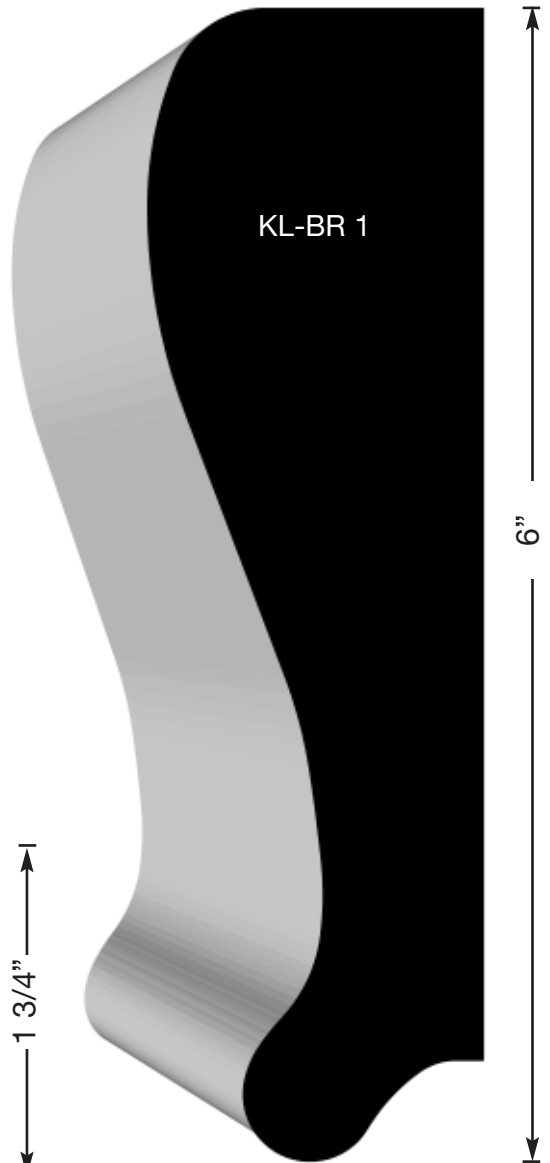
# Backband



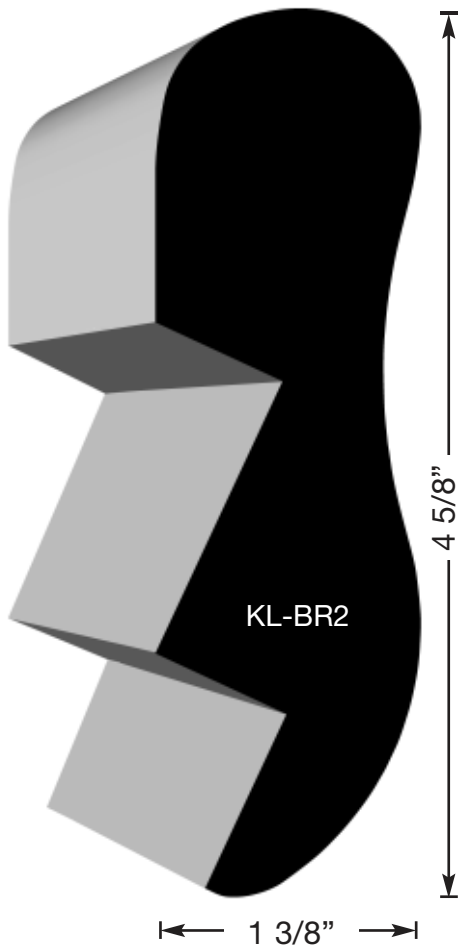


*Bar Rail*

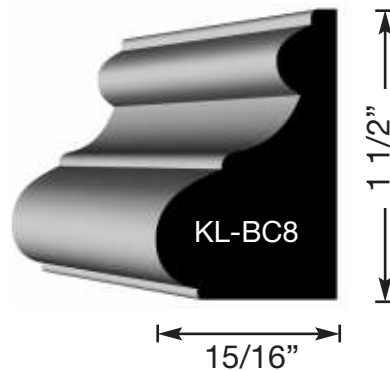
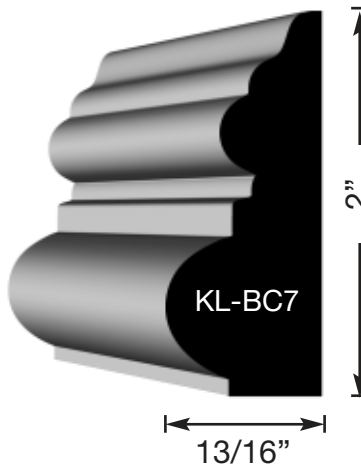
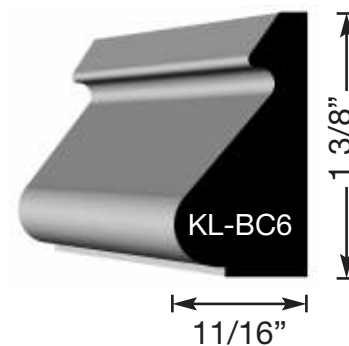
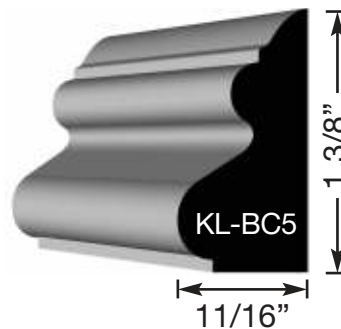
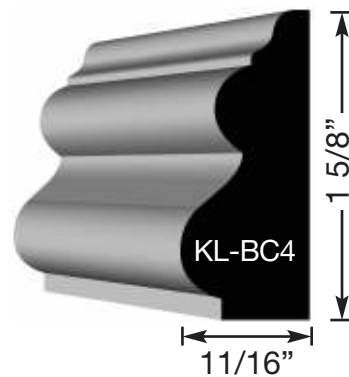
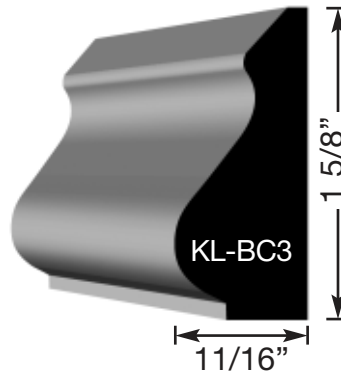
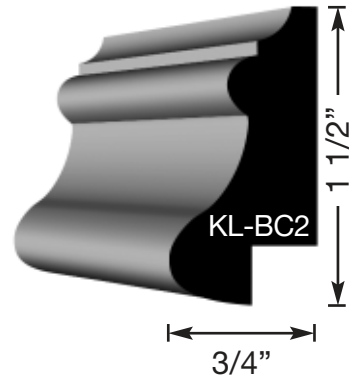
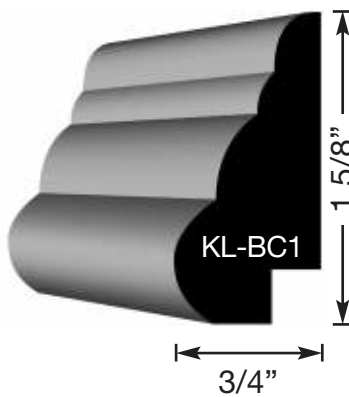
1 3/4"



# Bar Rail



# Base Cap



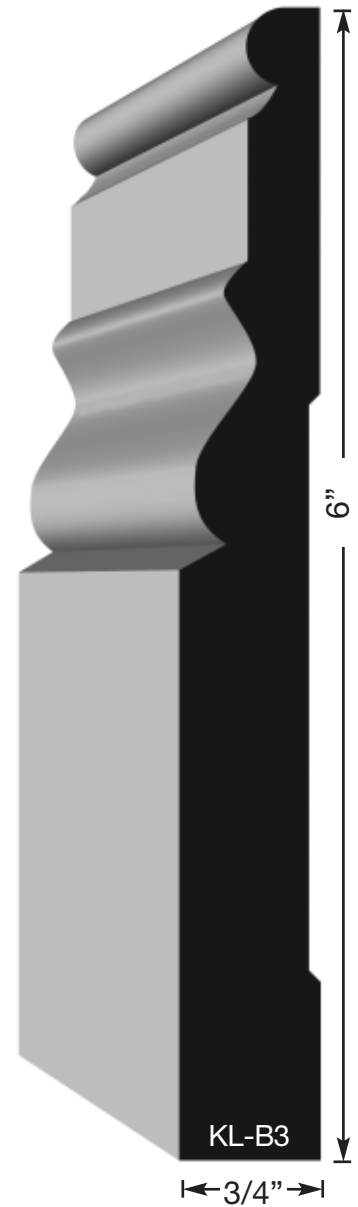
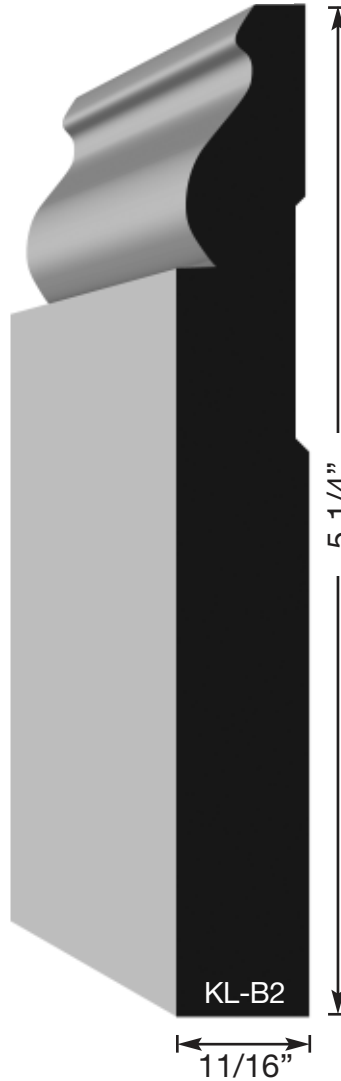
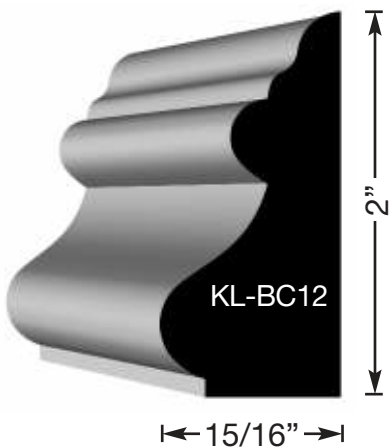
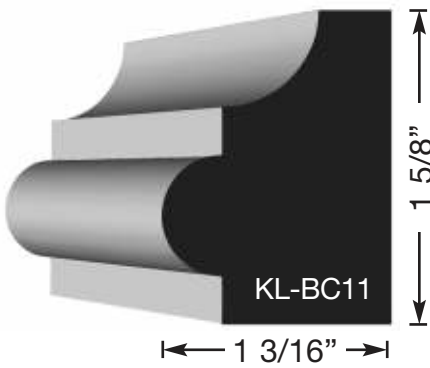
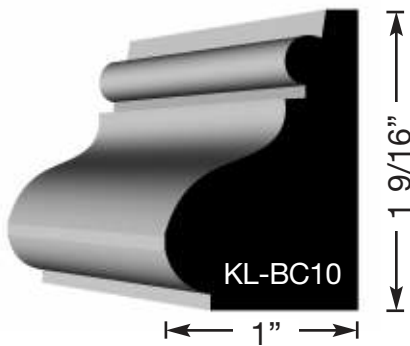
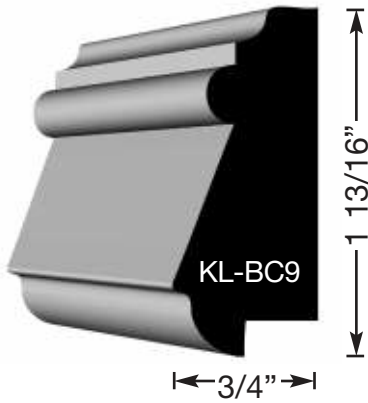
At Kleet Lumber Company, we pride ourselves on the quality we produce. Our quality enables contractors and homeowners to complete their project with confidence.



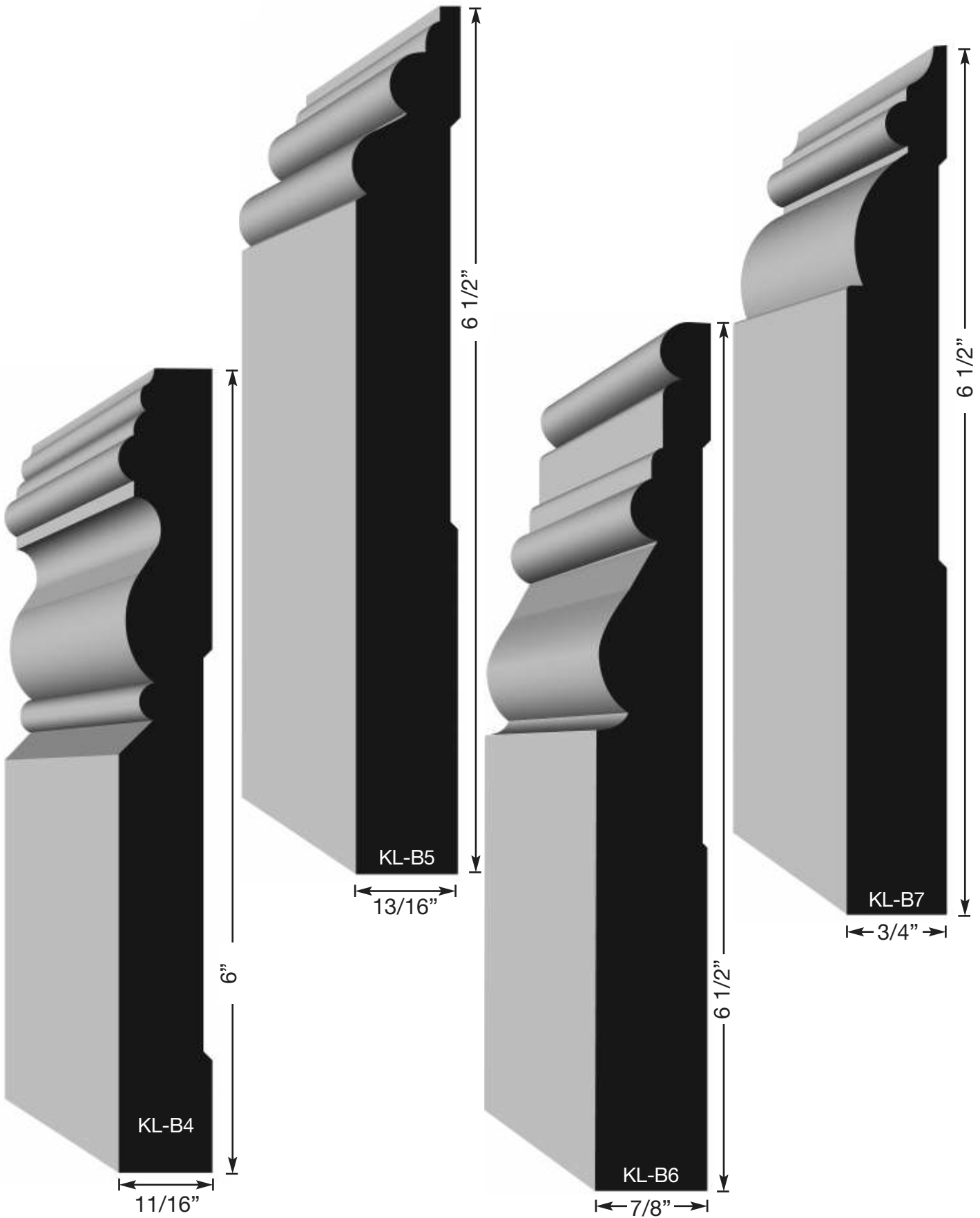


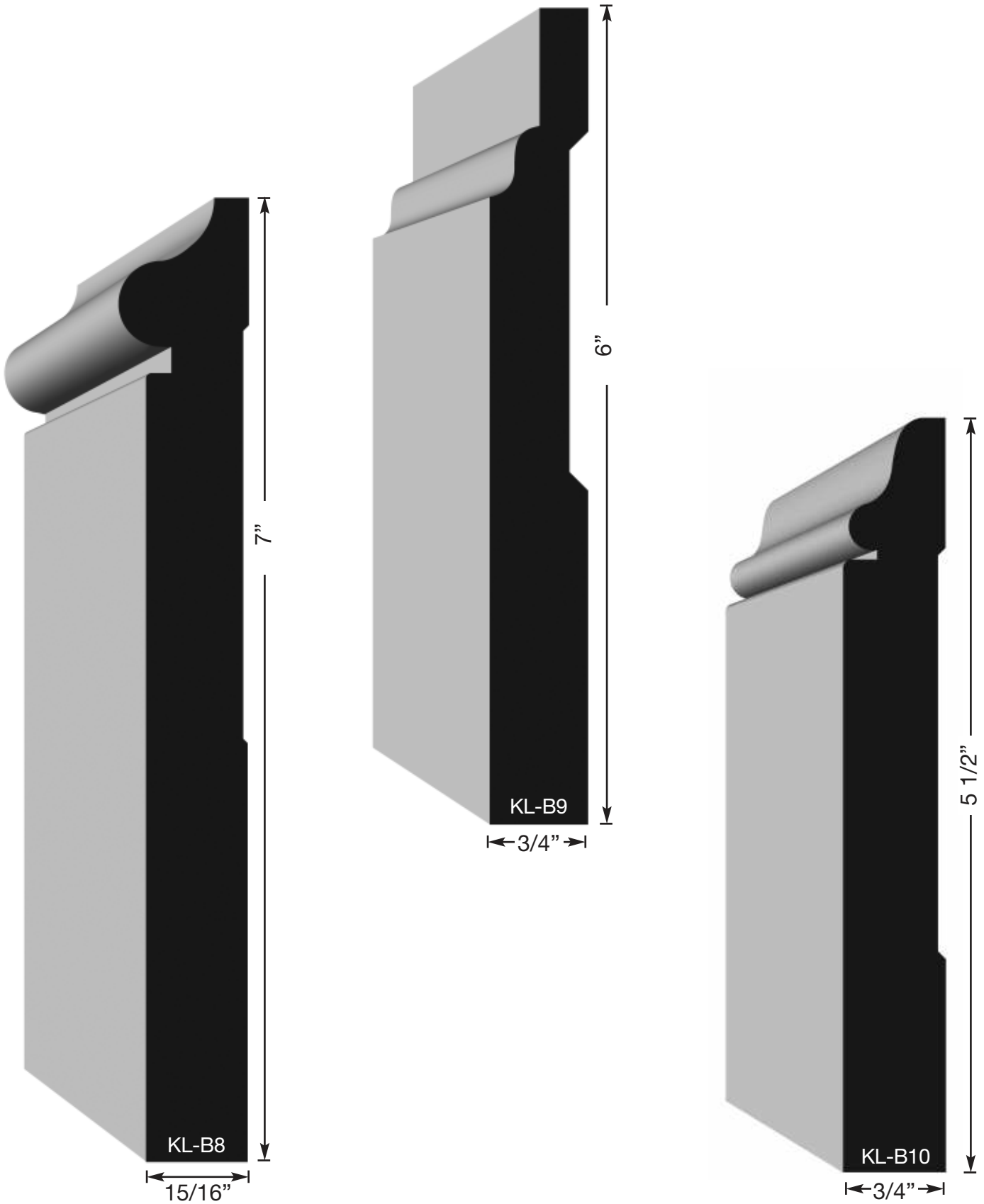
# Base Cap

# Base

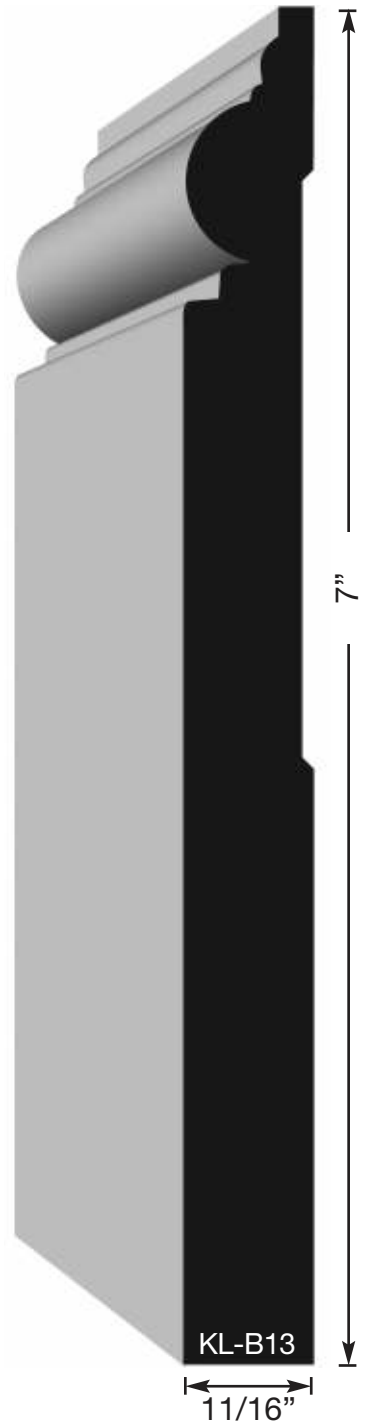
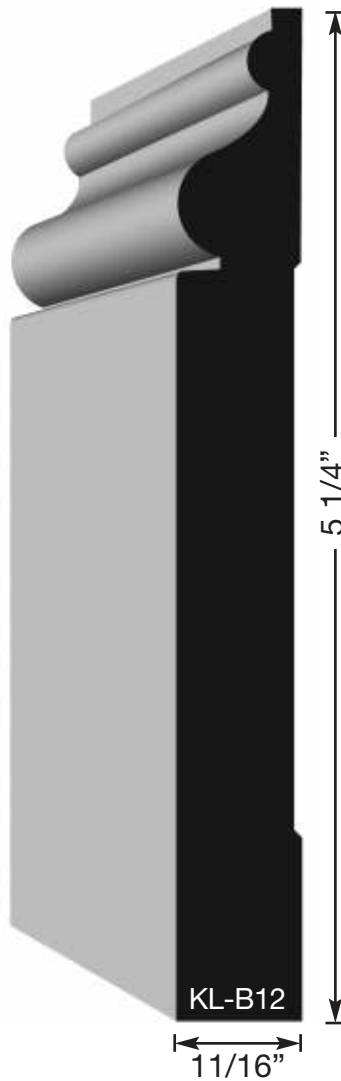
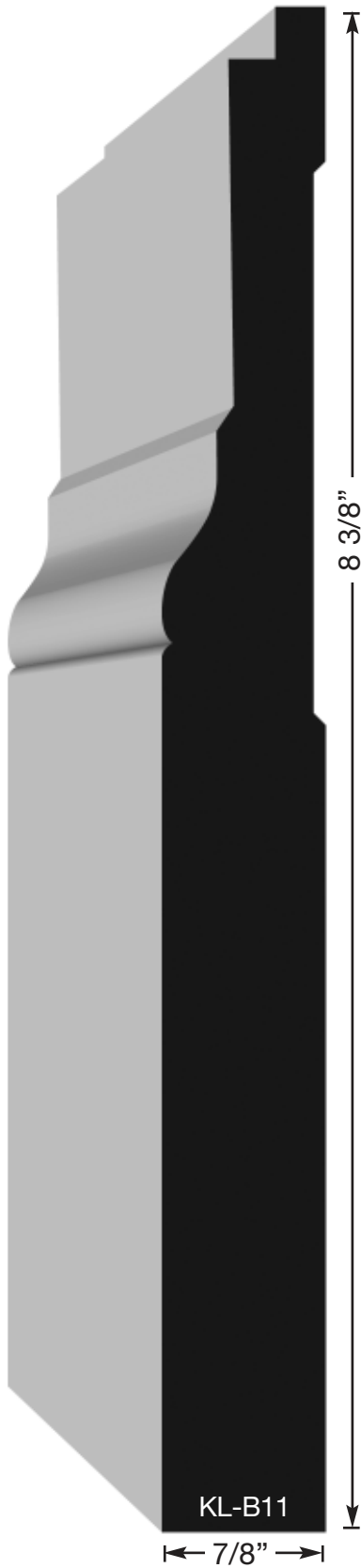


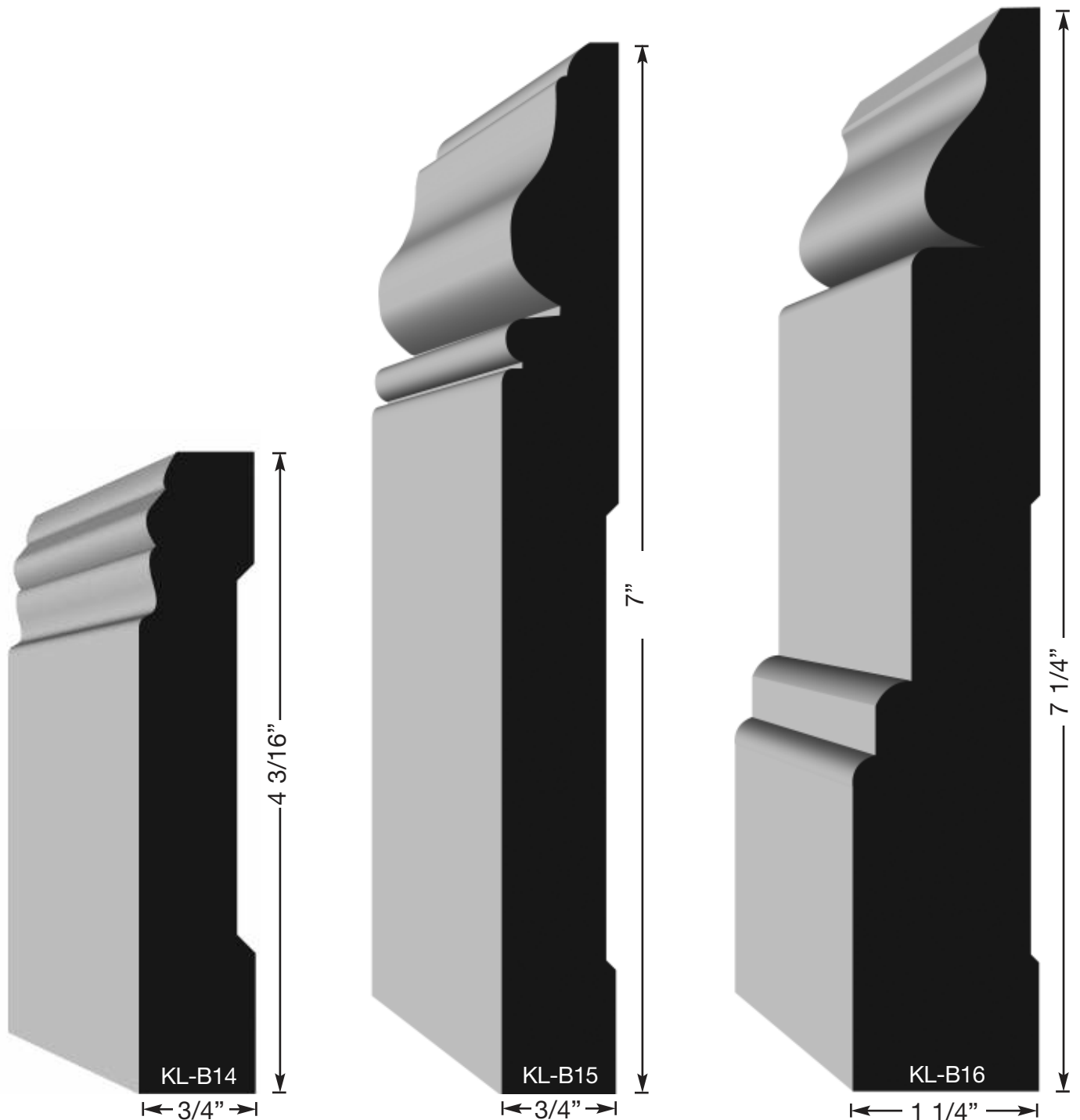
# Base





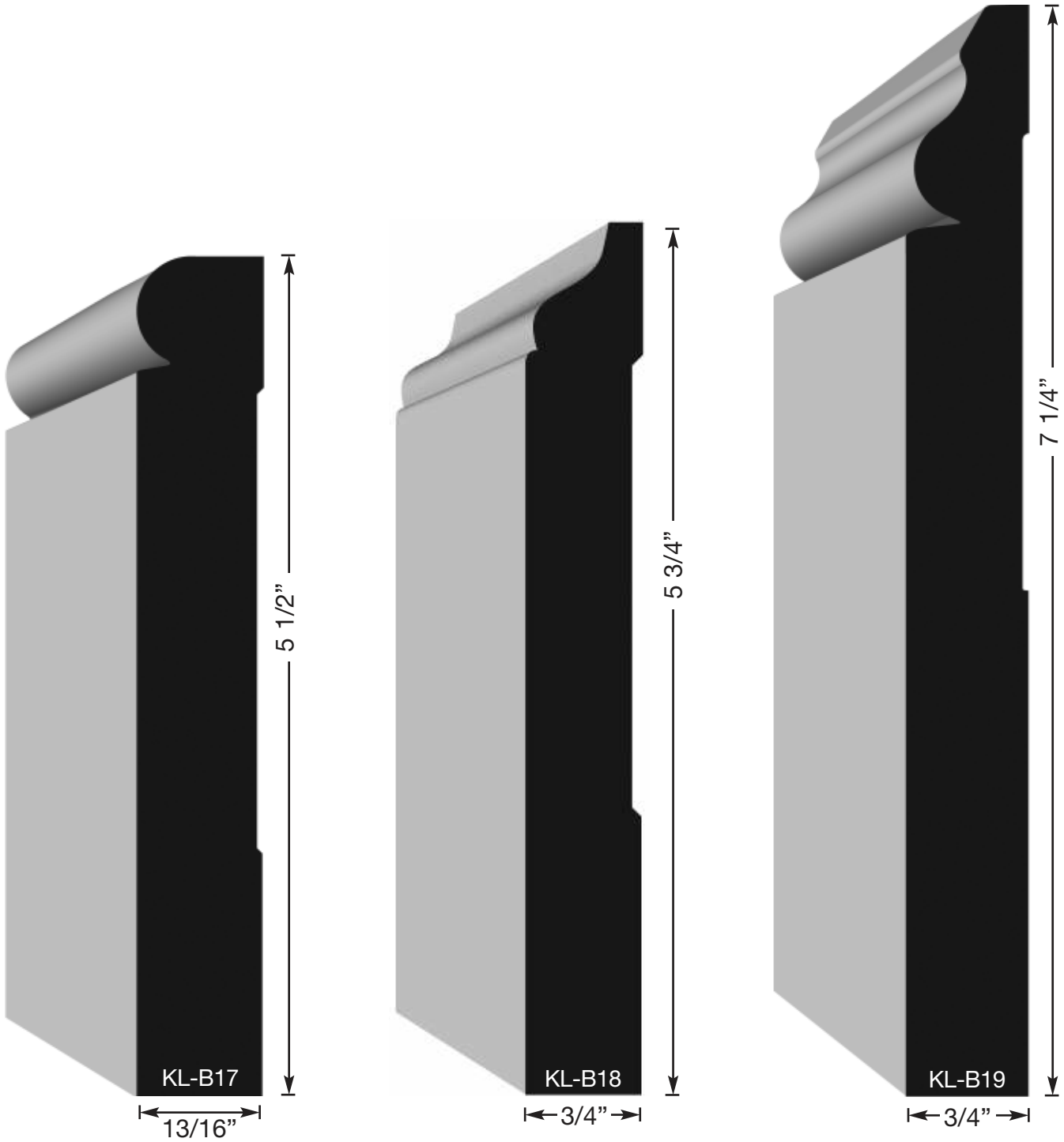
# Base

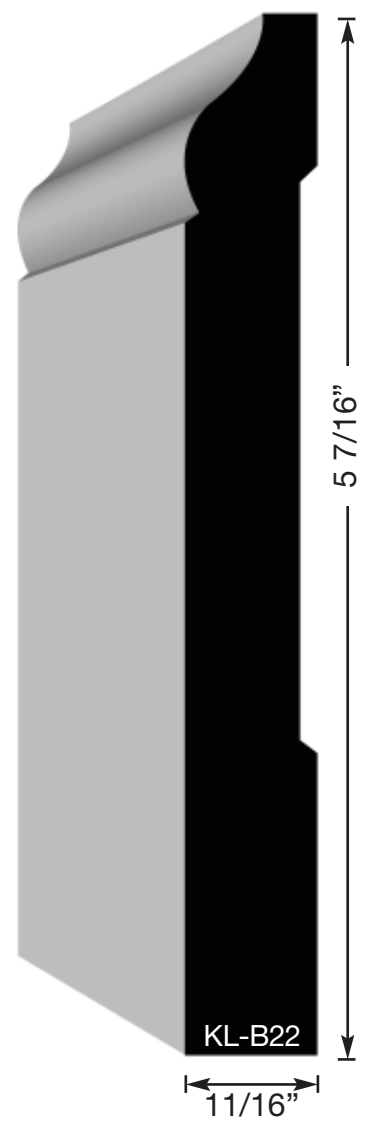
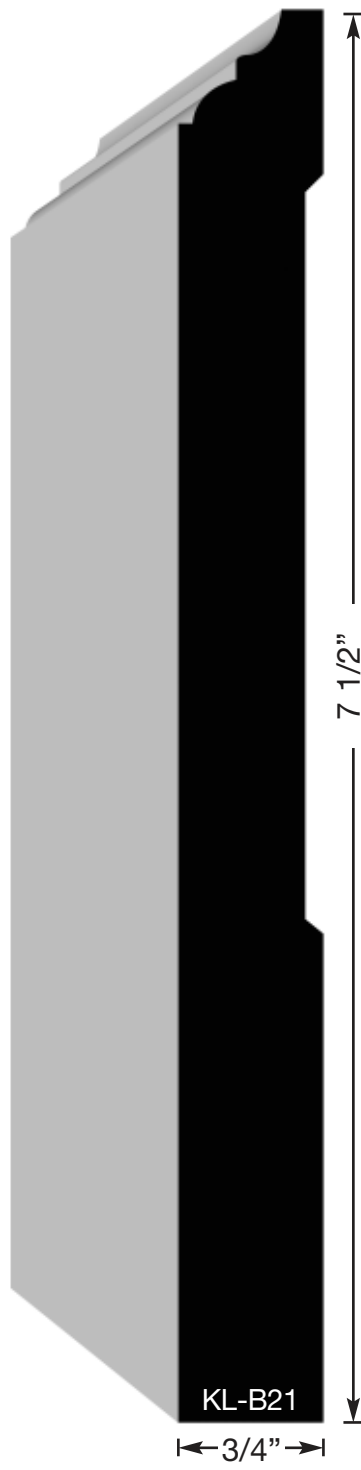
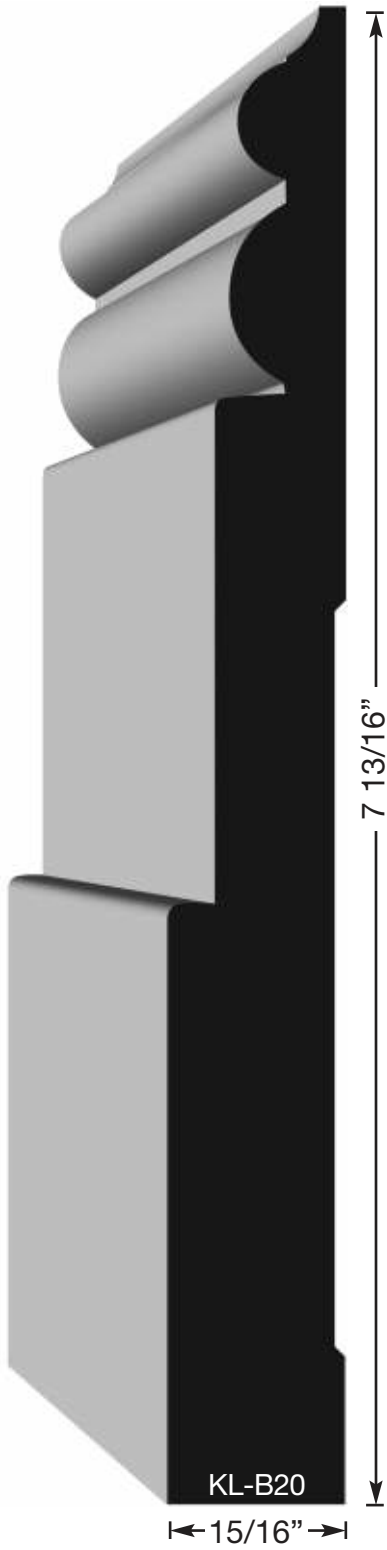




# Base

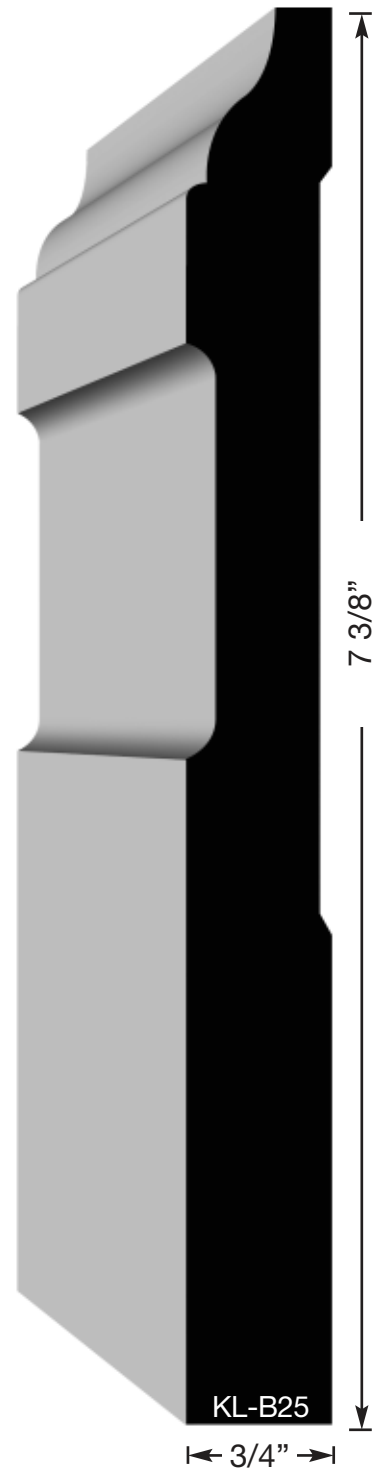
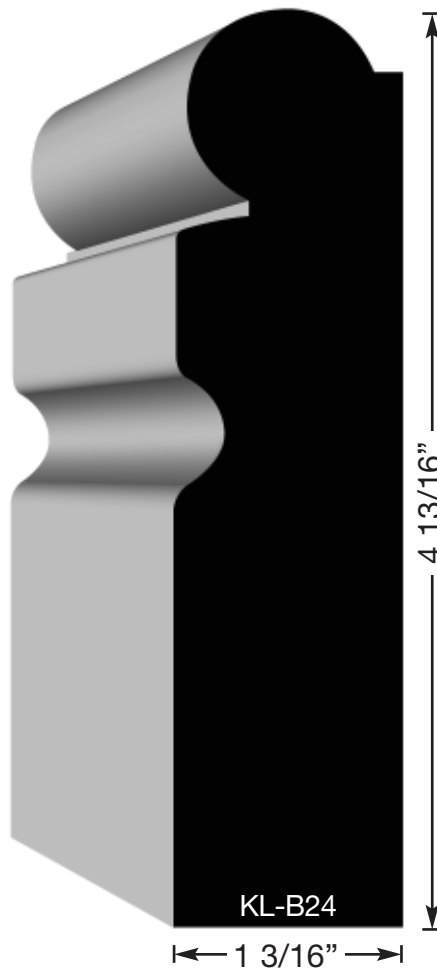
---



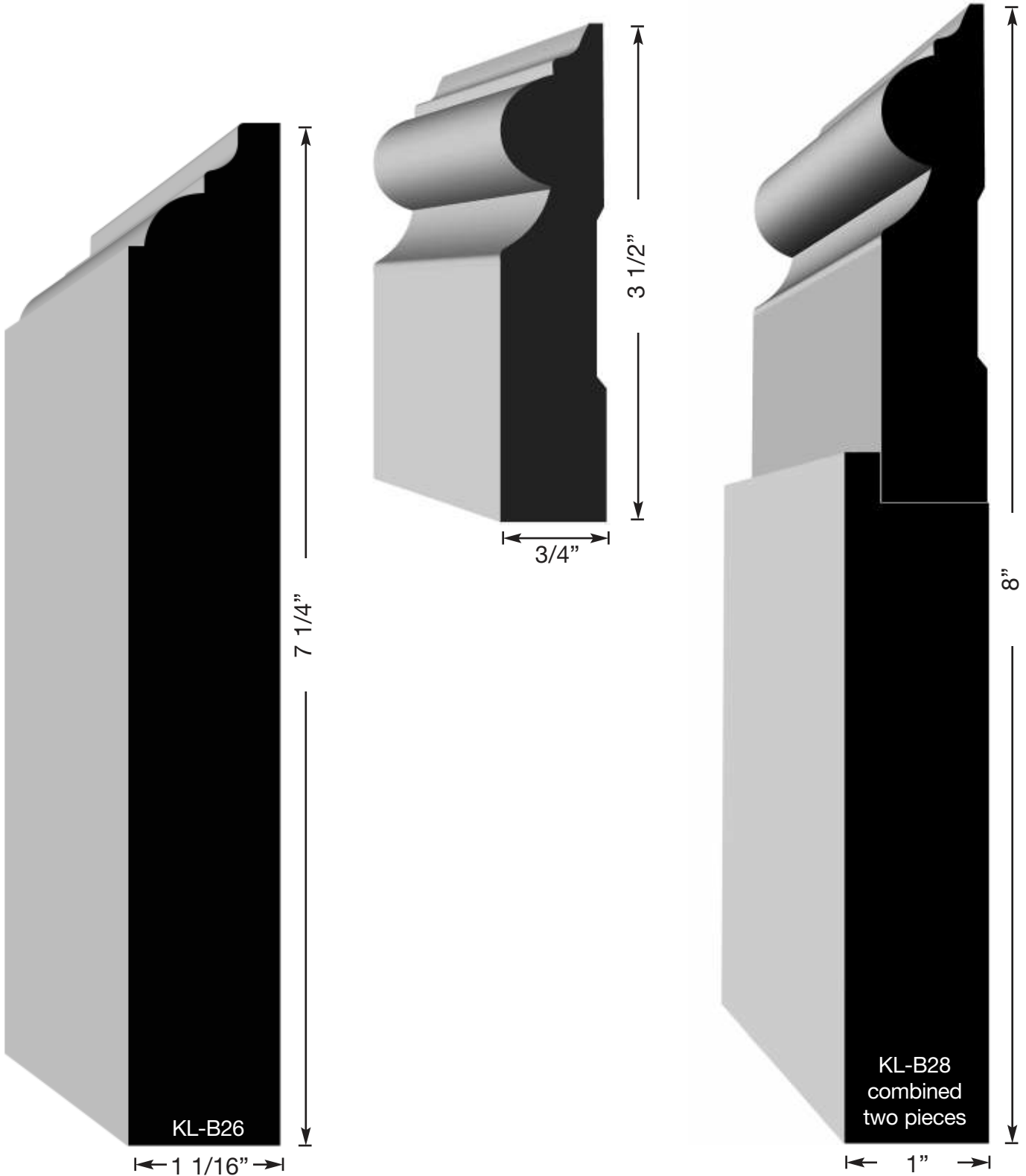


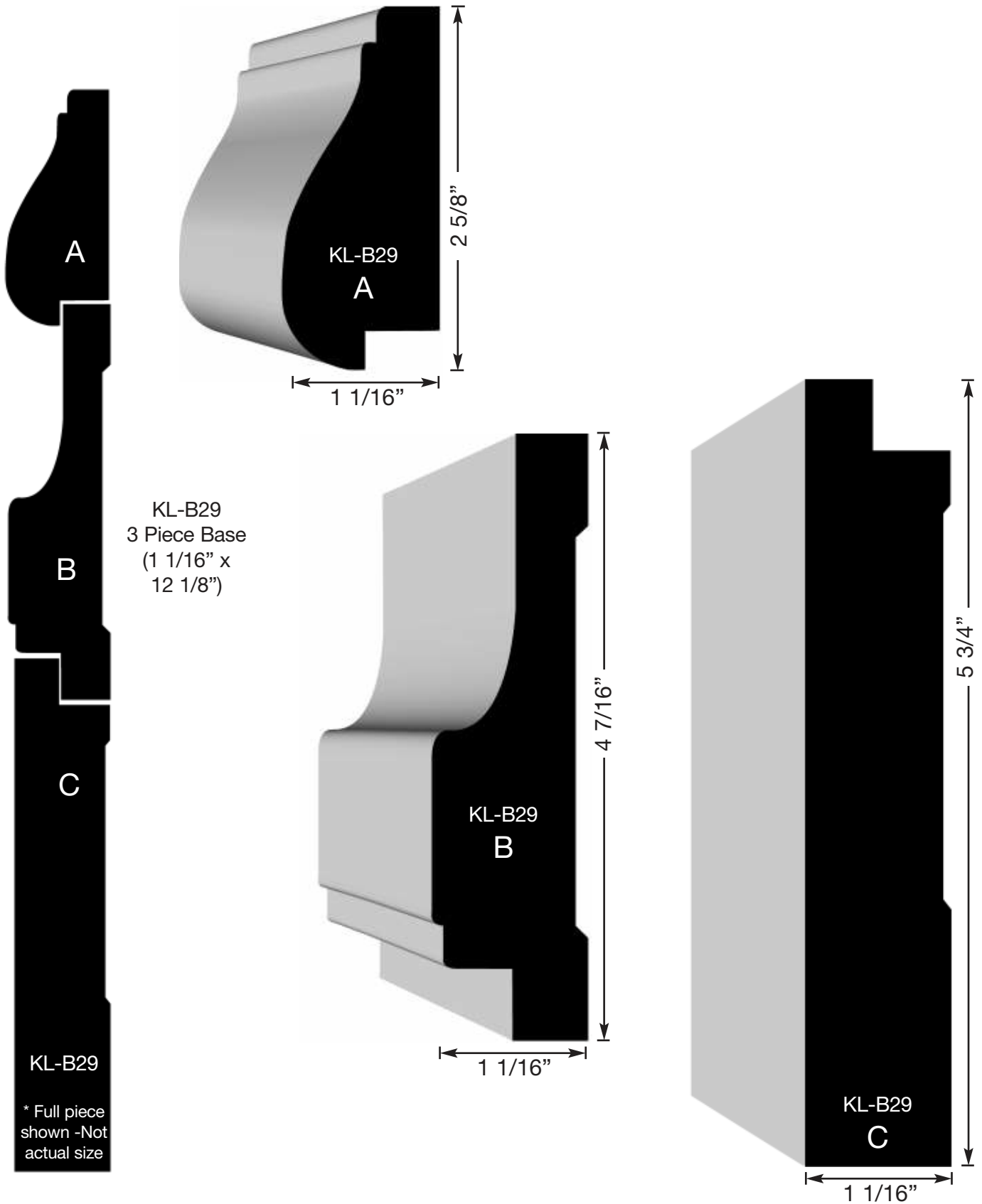
# Base

---

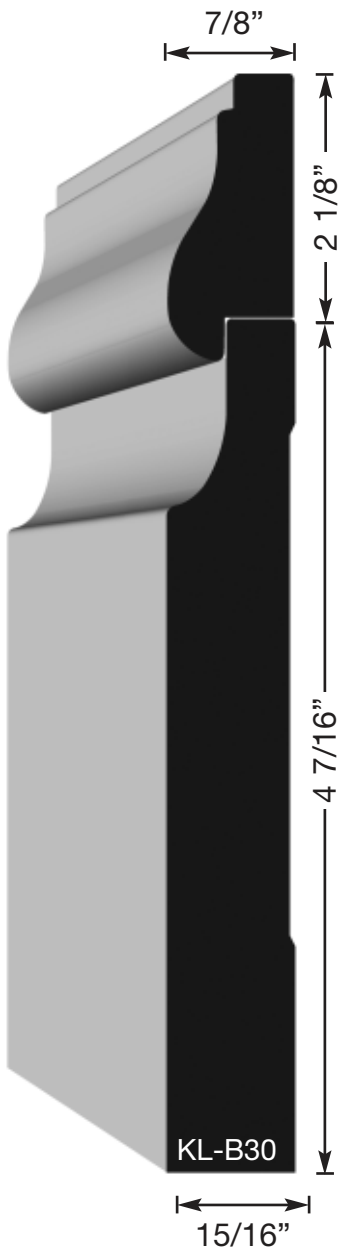




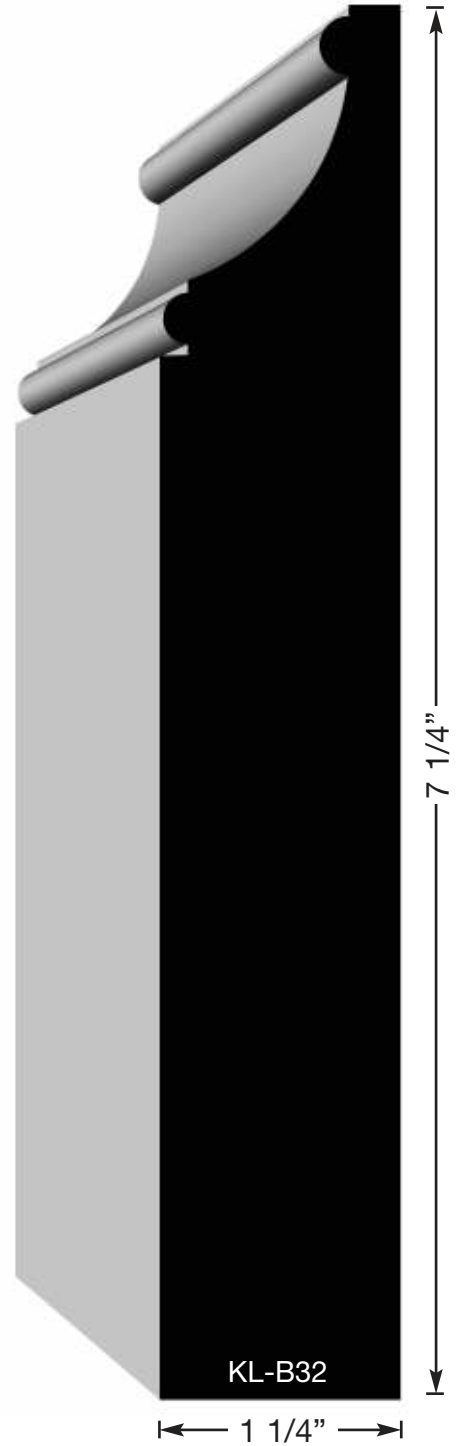
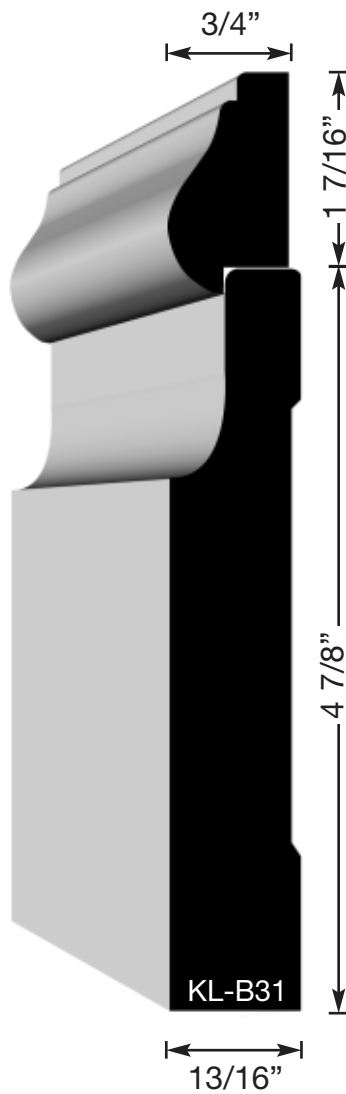




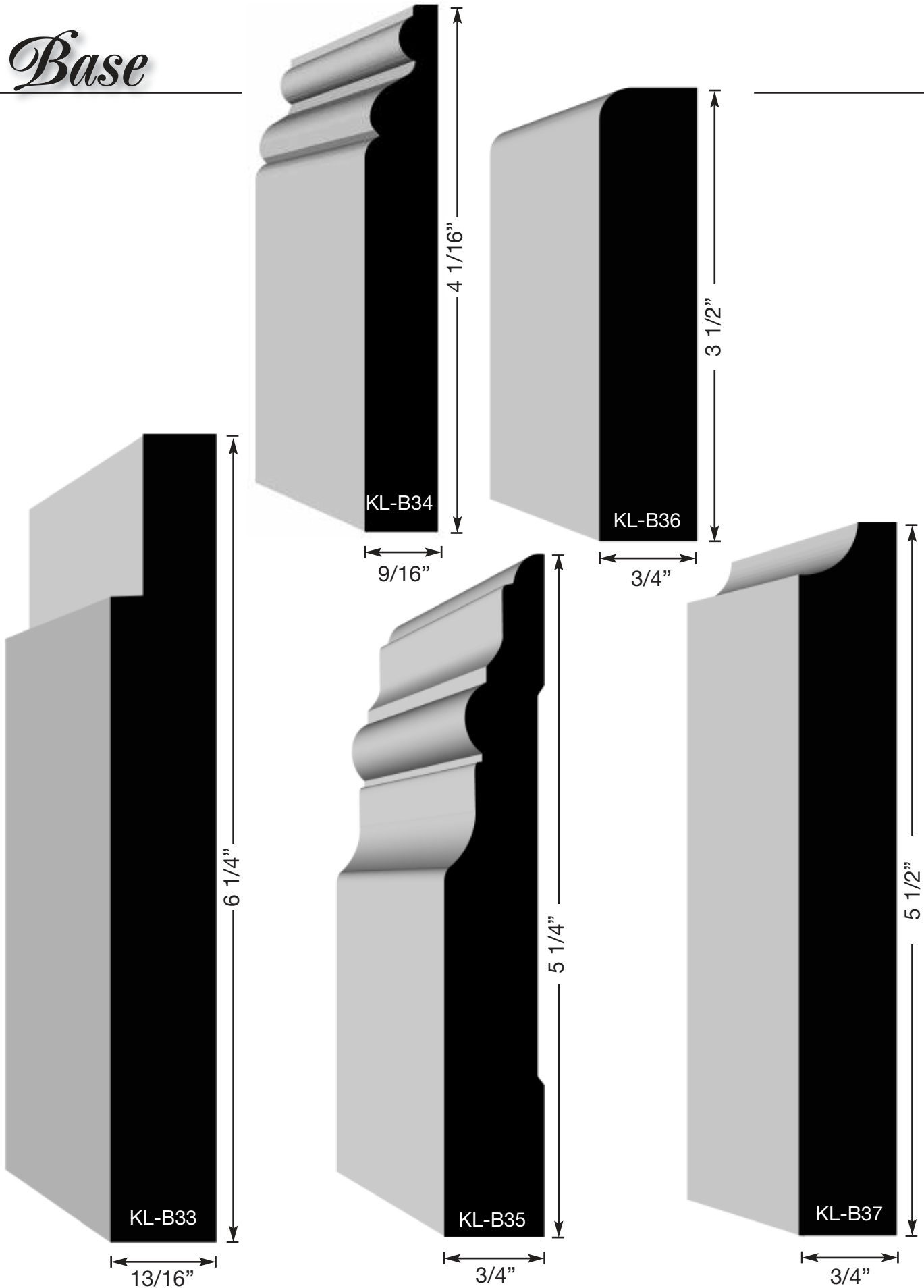
2 pc base  
15/16" x 8 3/8"

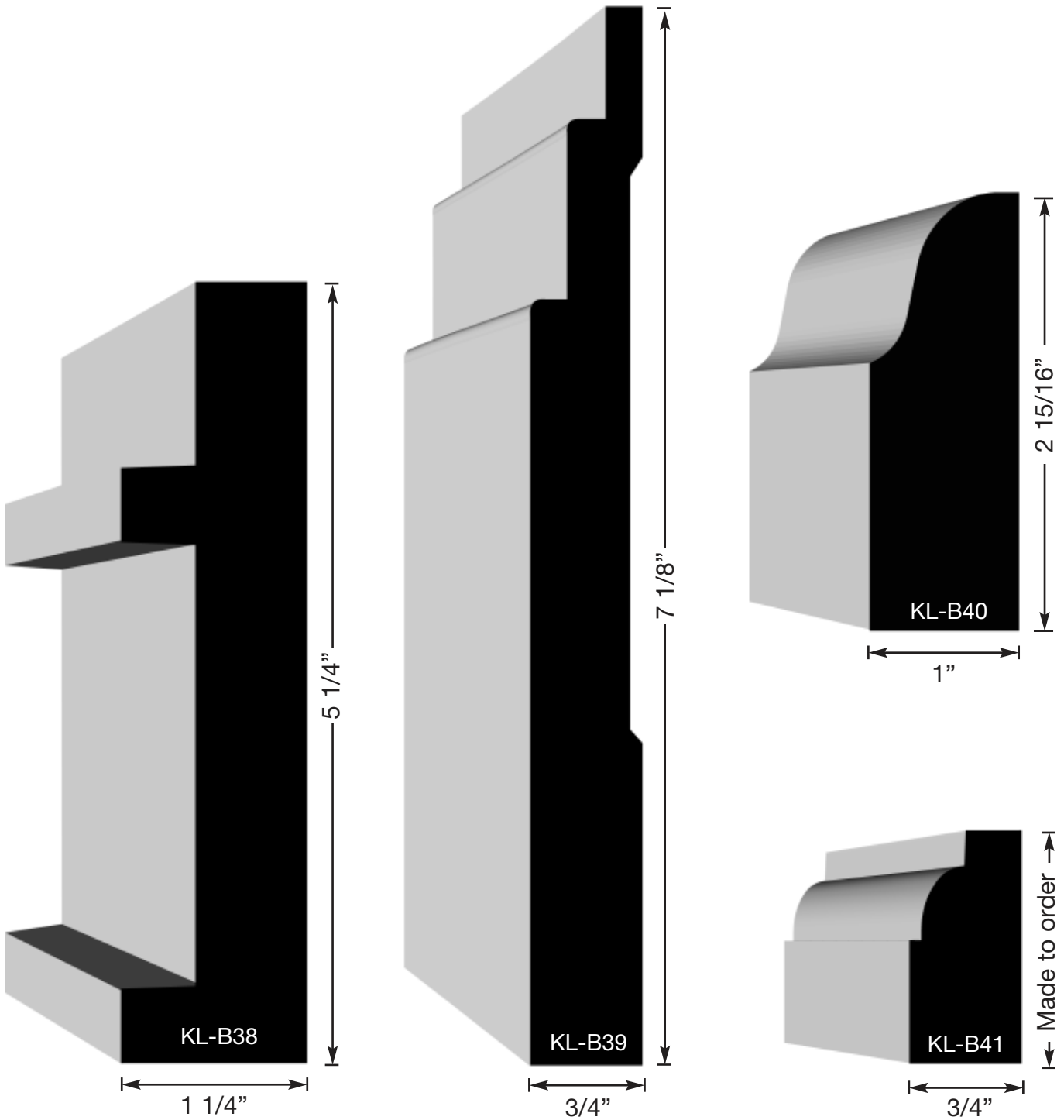


2 pc base  
13/16" x 6 5/16"

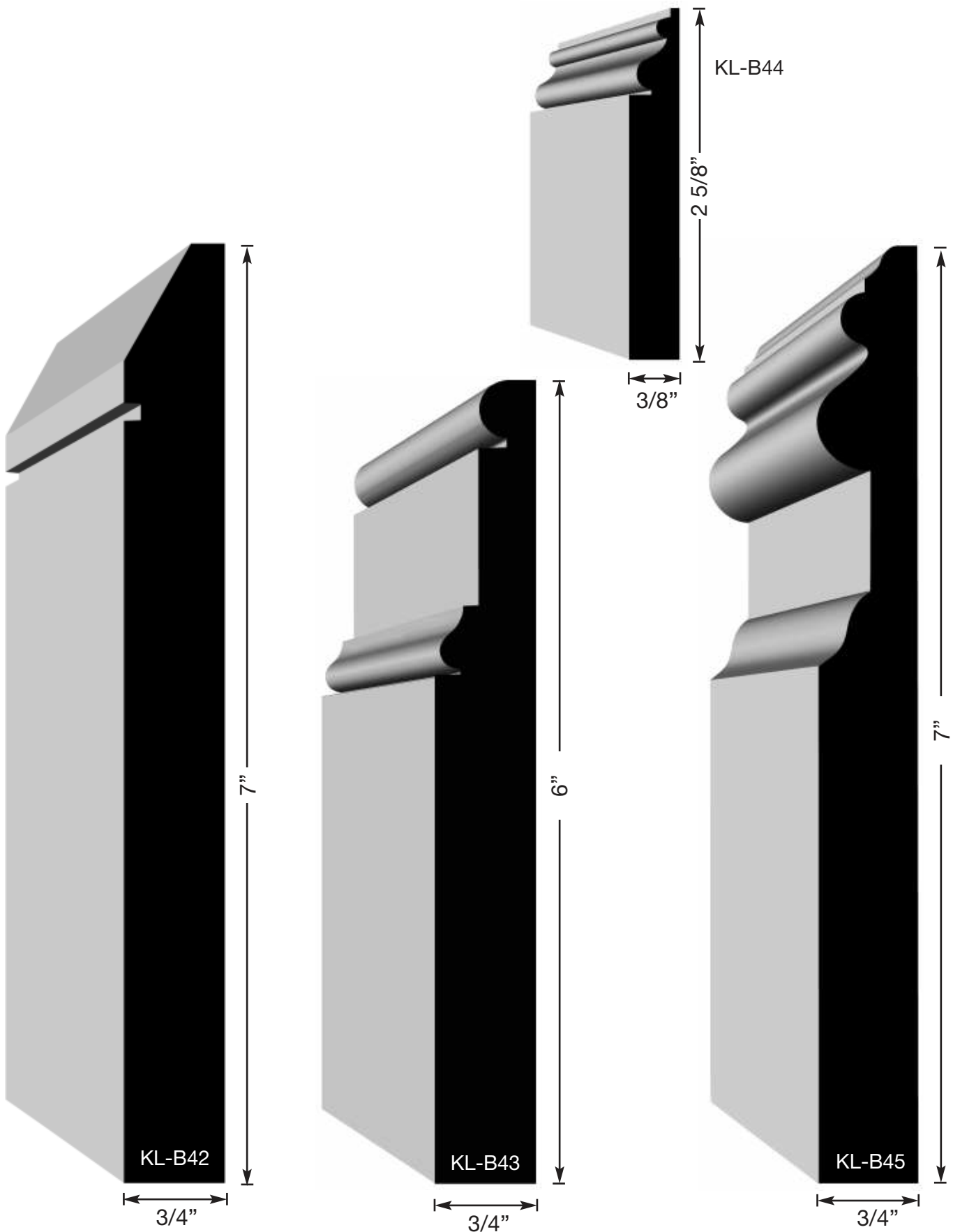


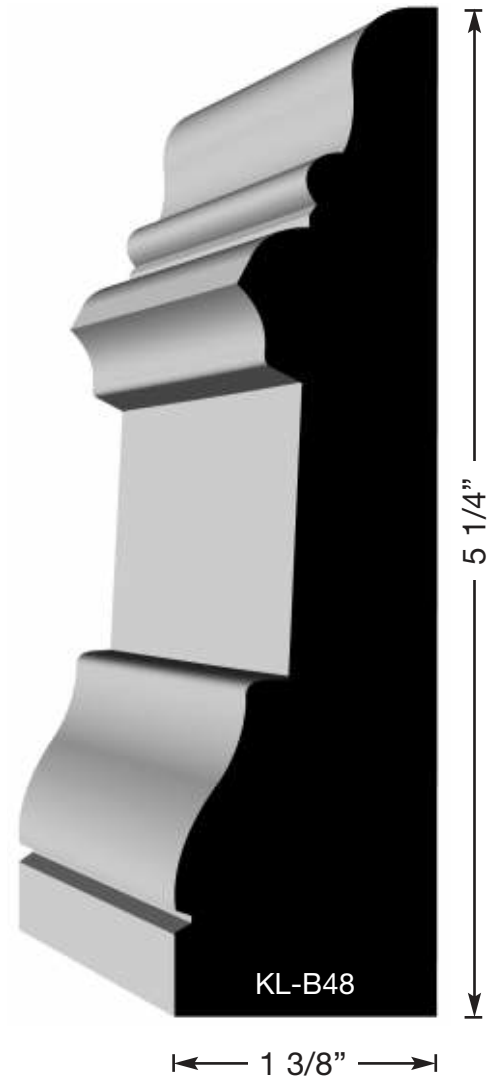
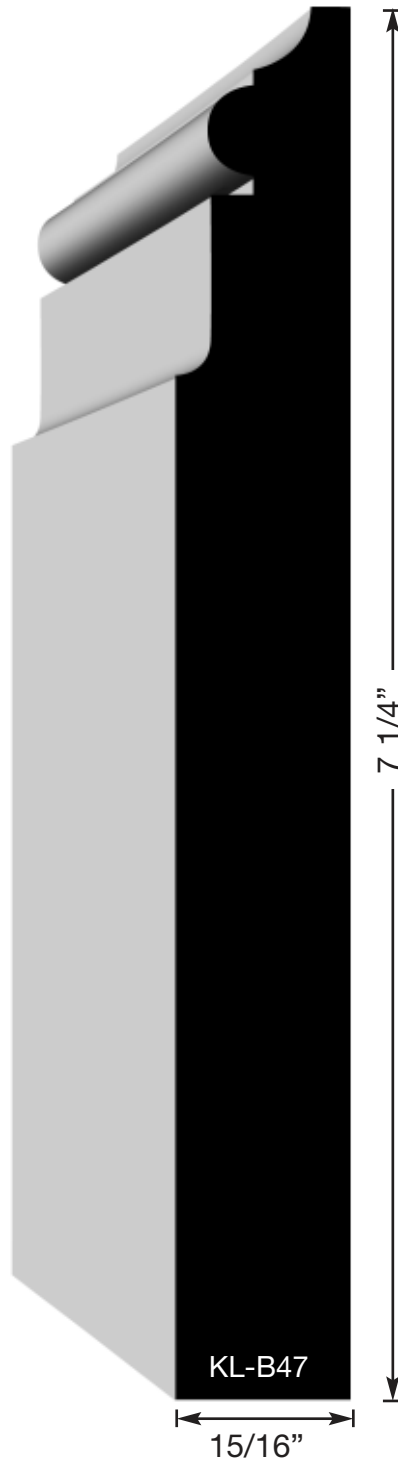
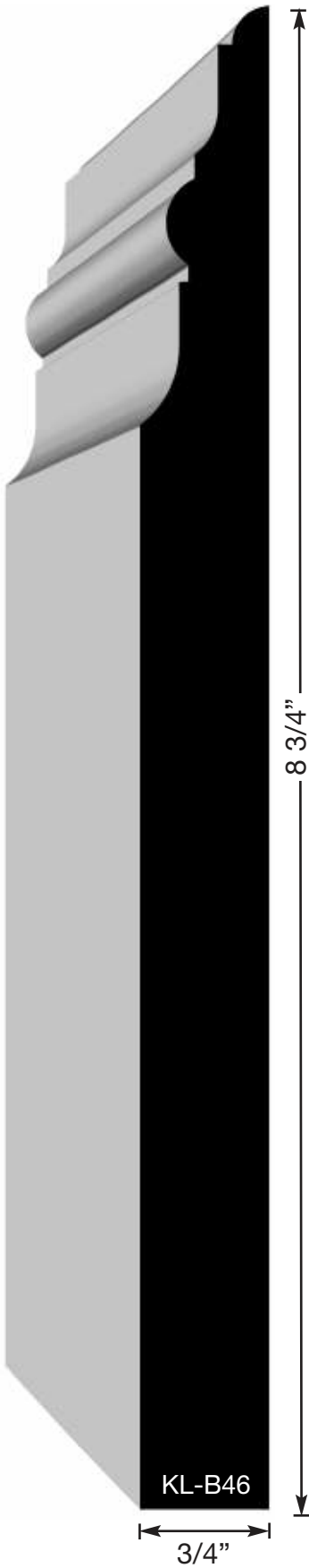
# Base



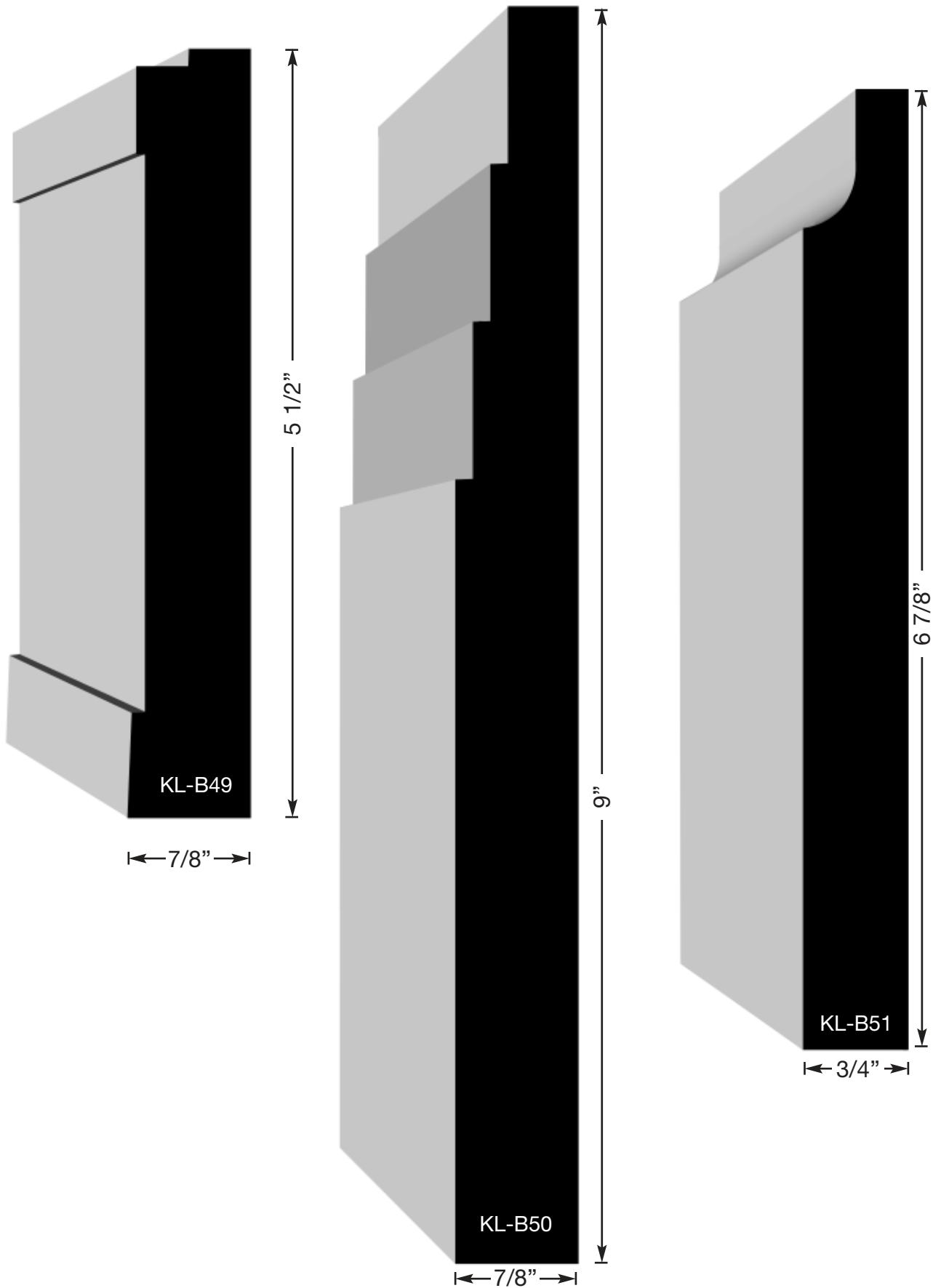


# Base

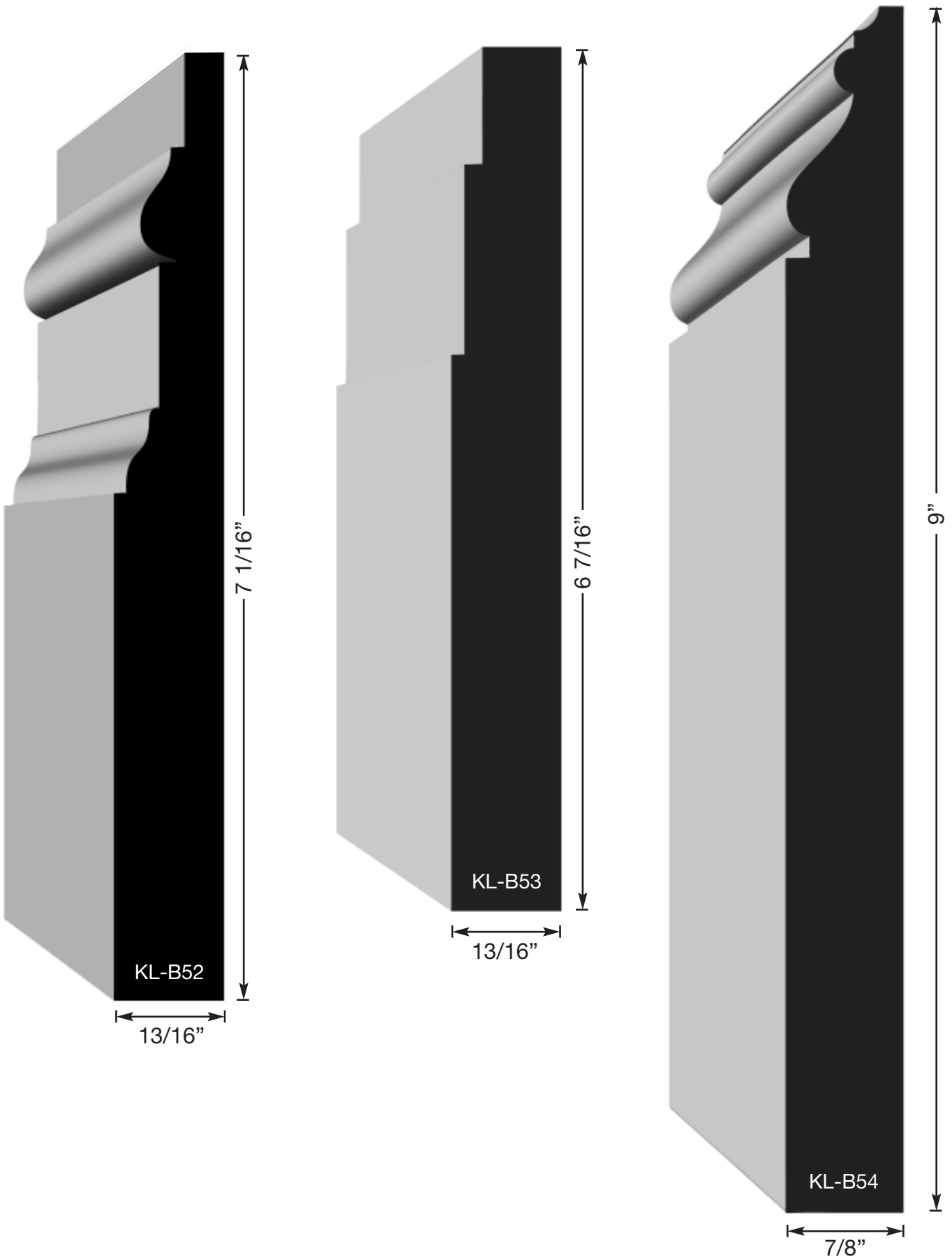




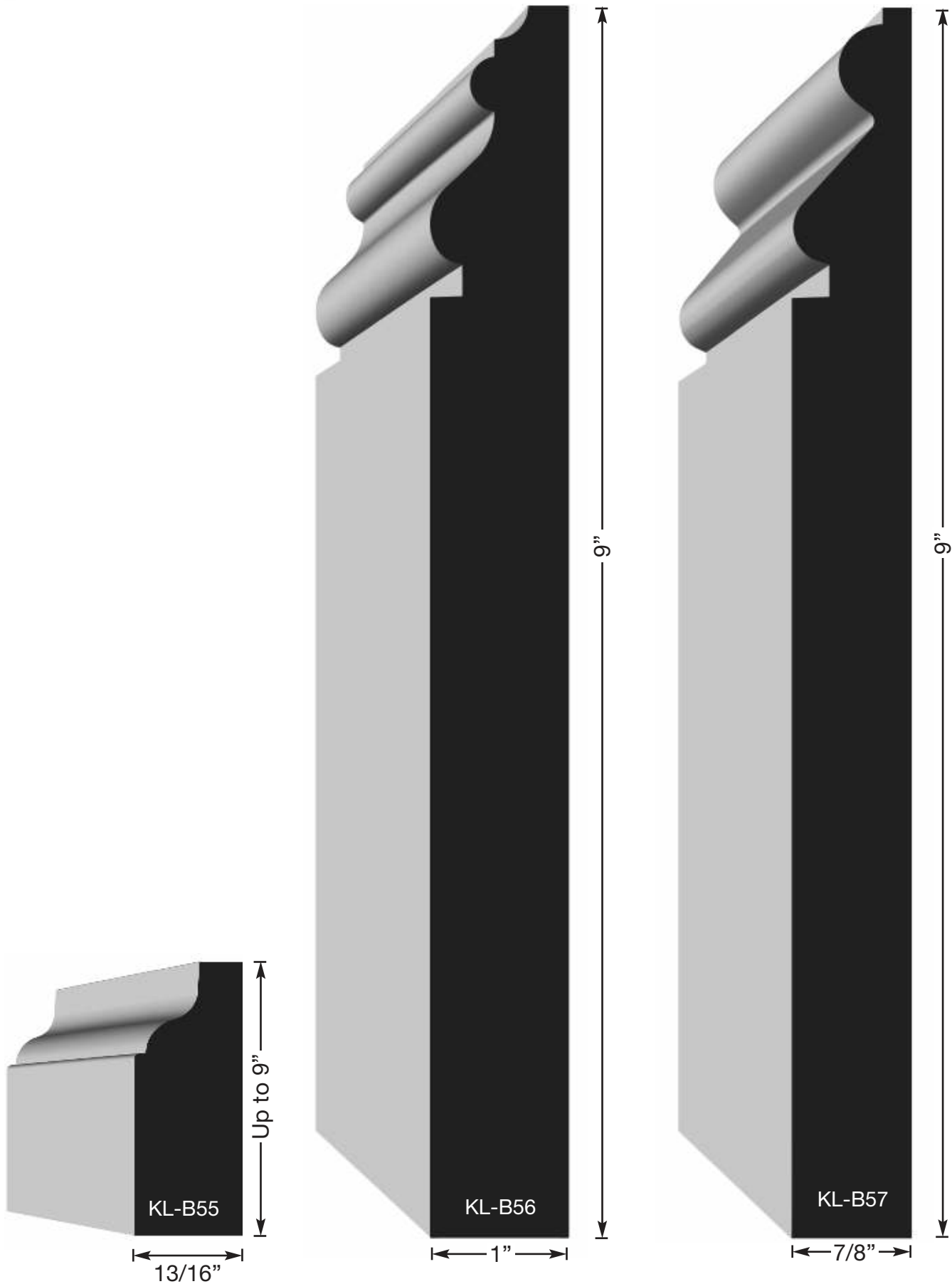
# Base

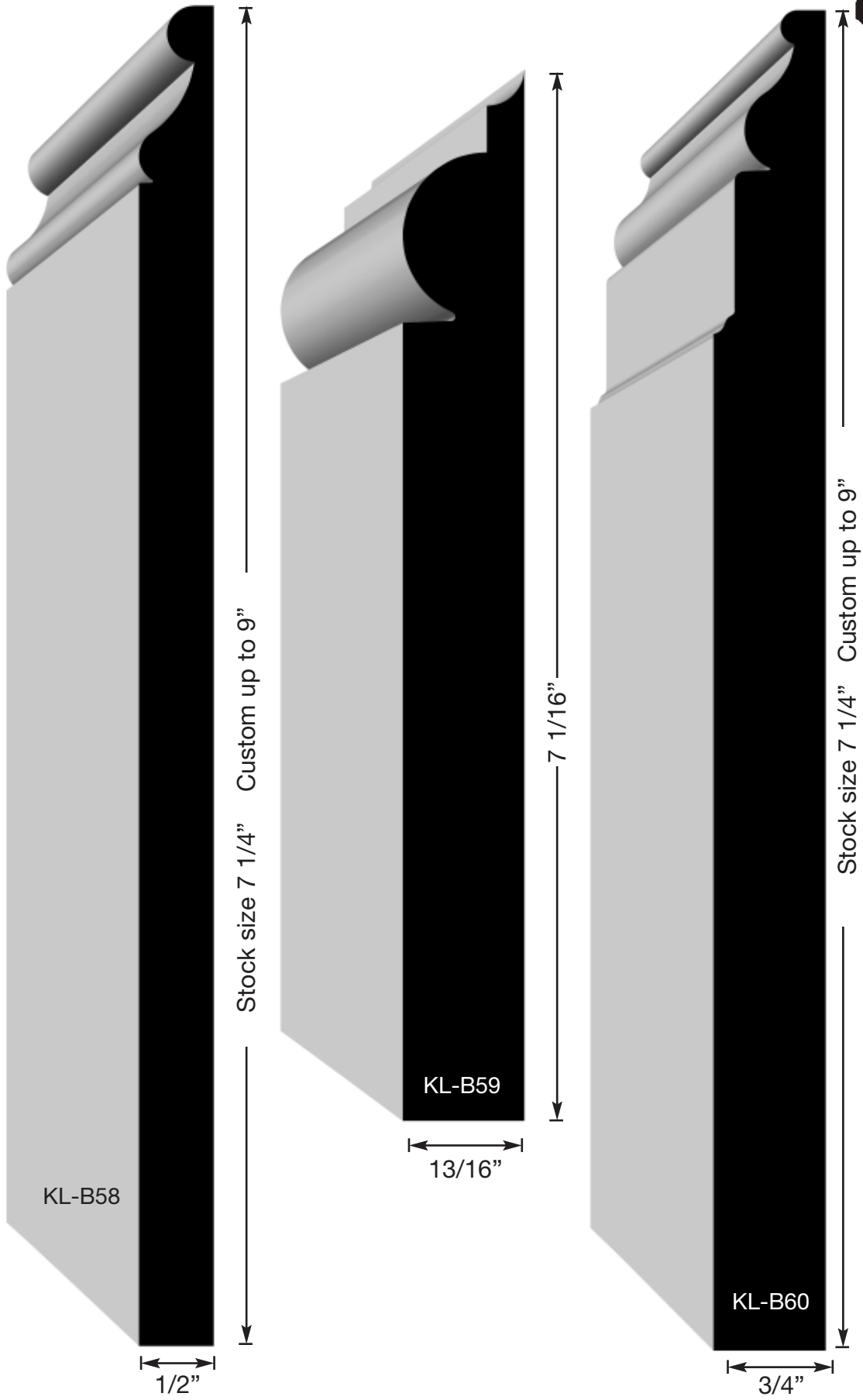




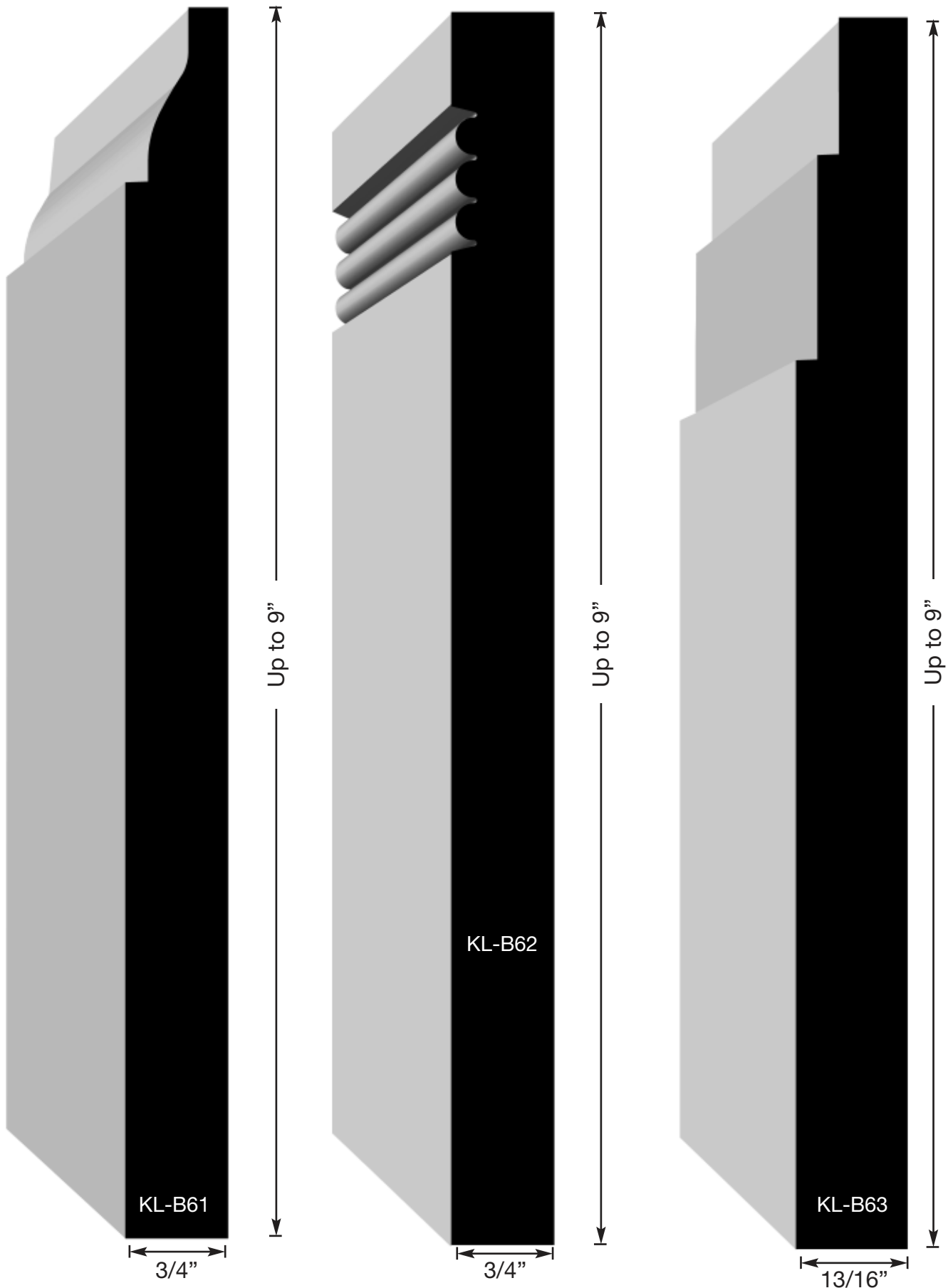


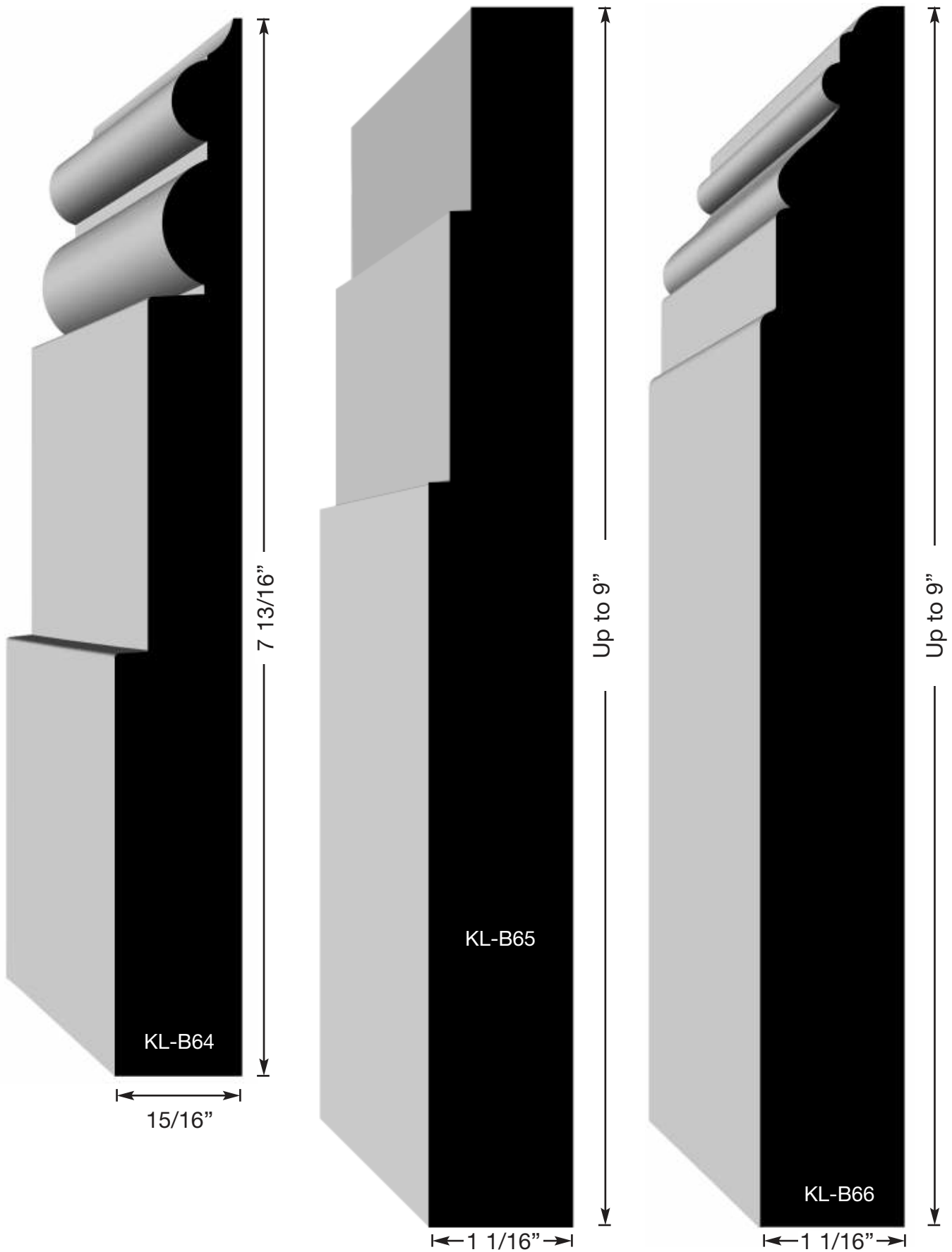
# Base



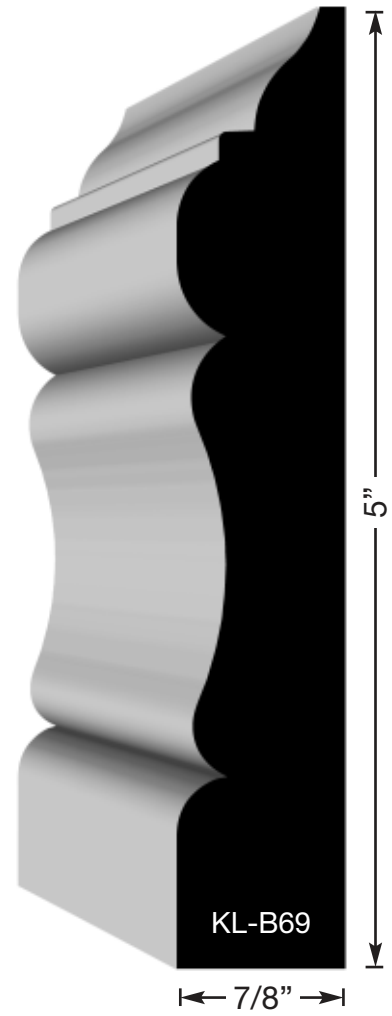
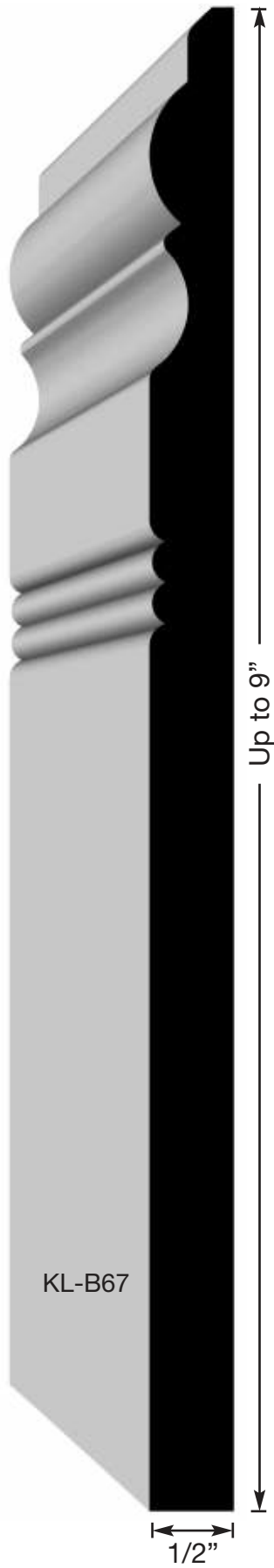


# Base

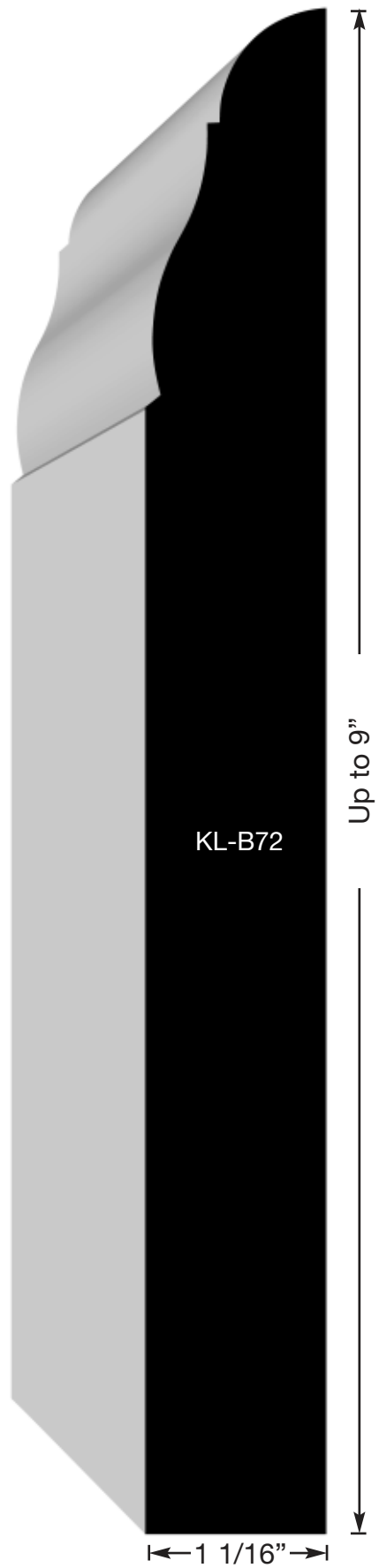
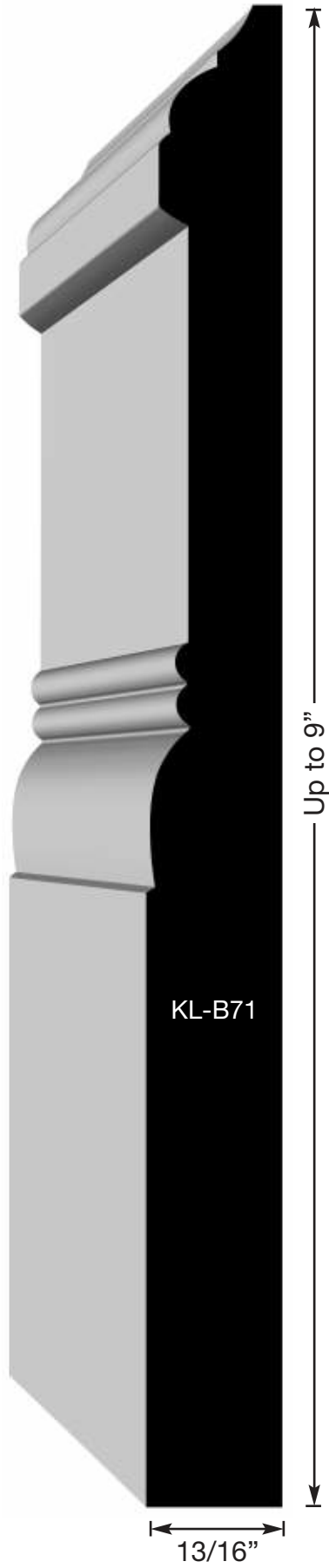
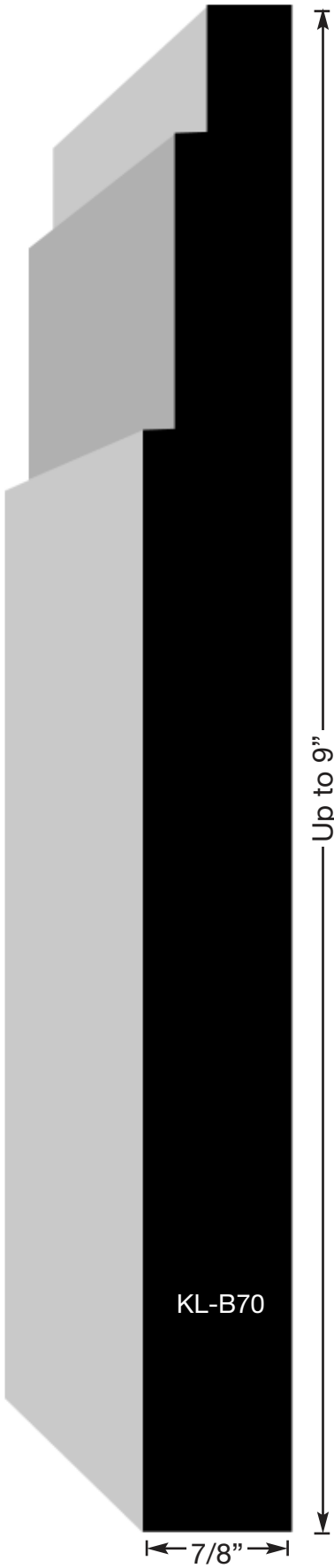




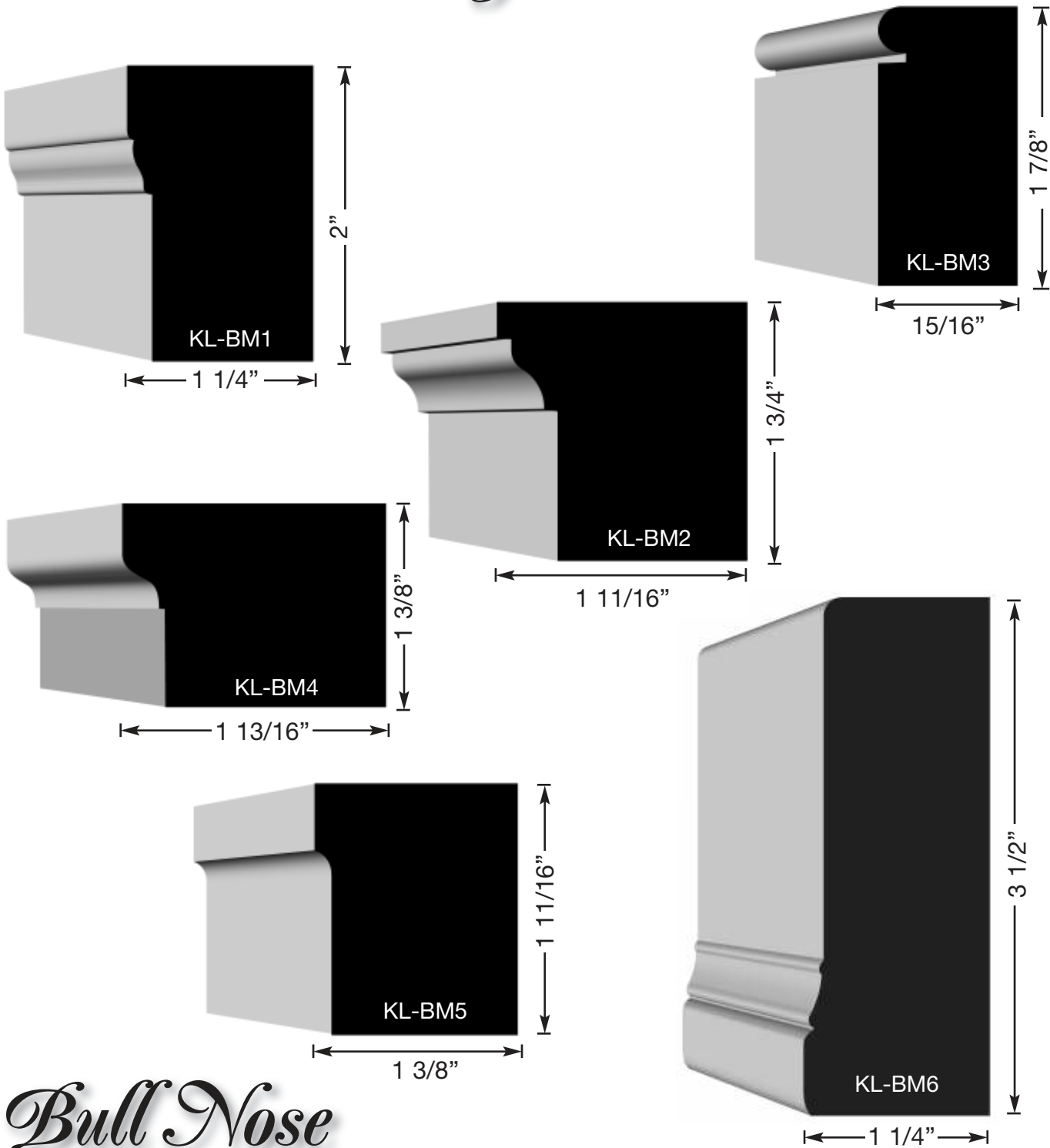
# Base



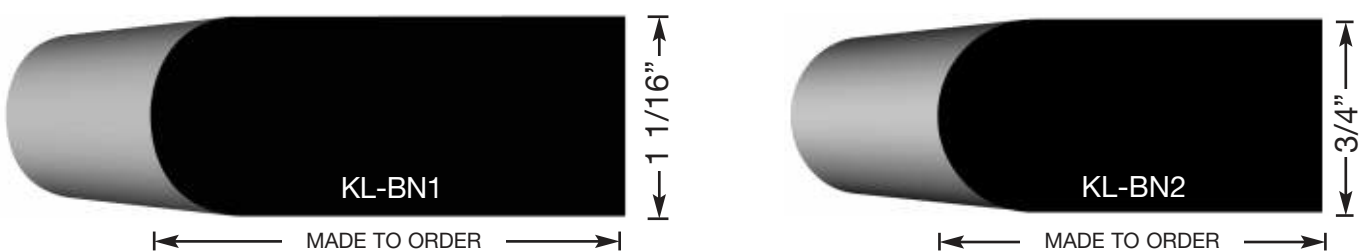
**KLEET**  
**LUMBER CO., INC.**  
**SINCE 1946**



# Brick Moulding

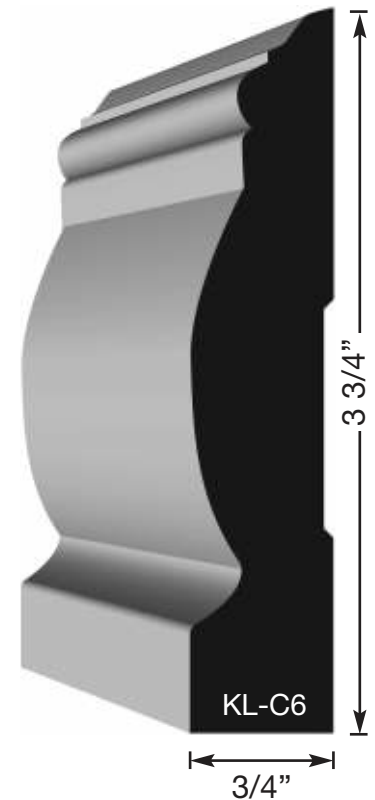
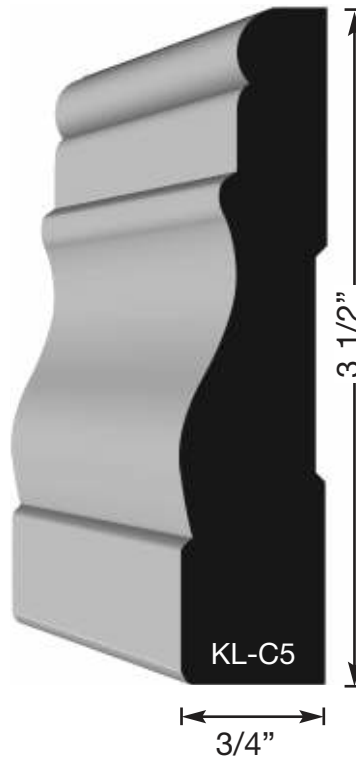
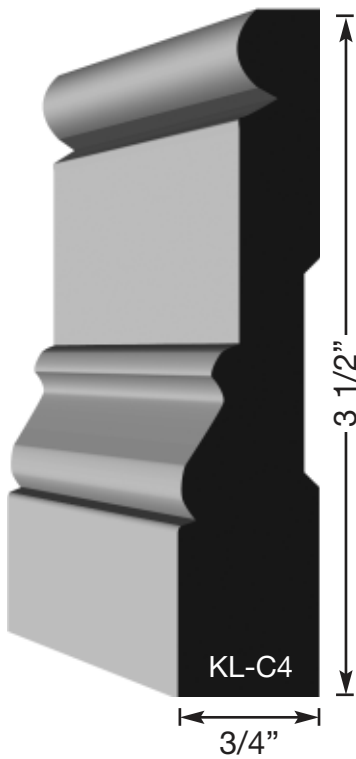
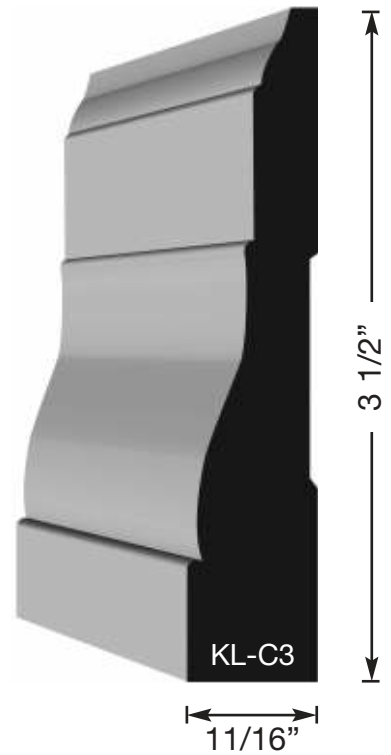
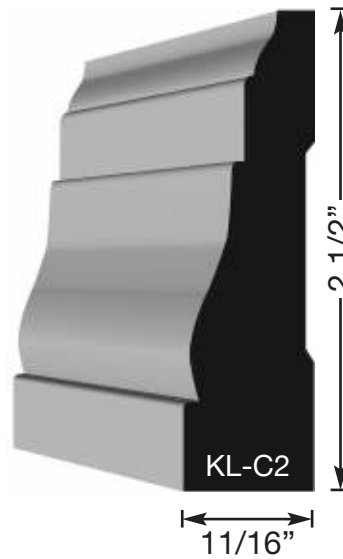
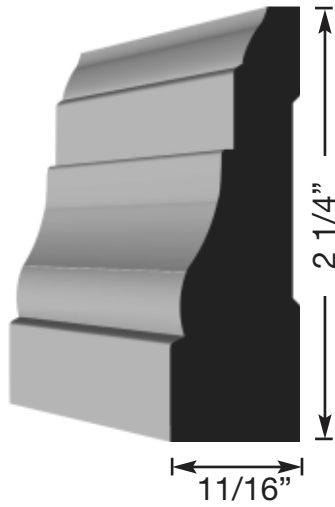


# Bull Nose

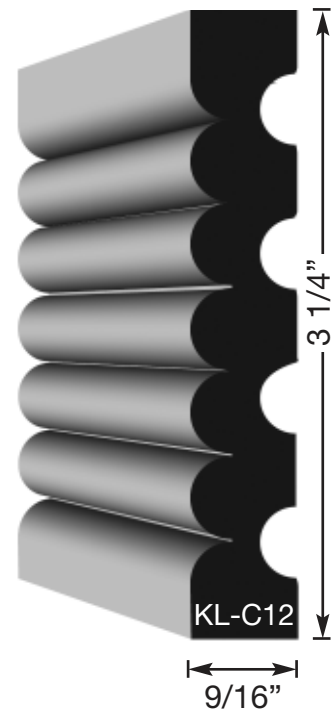
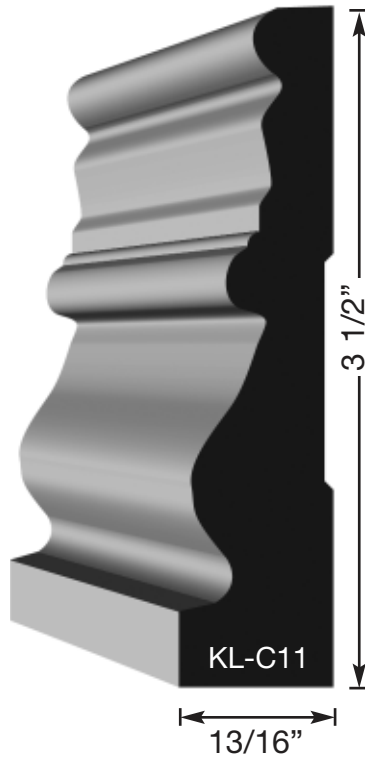
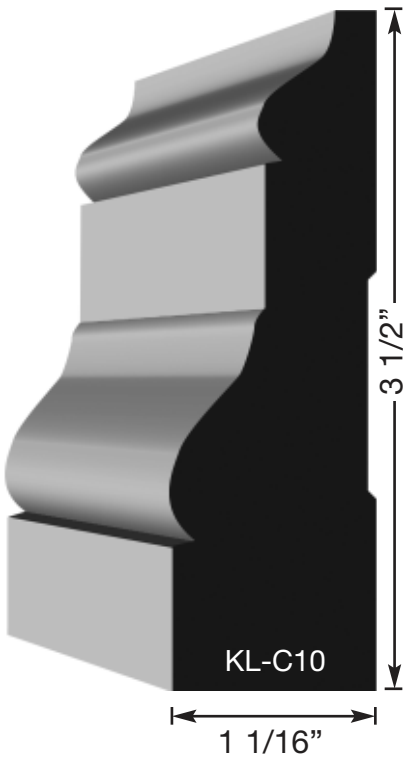
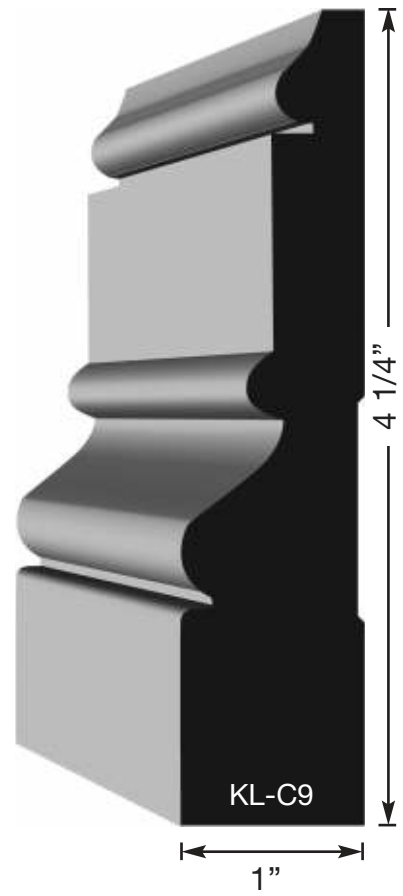
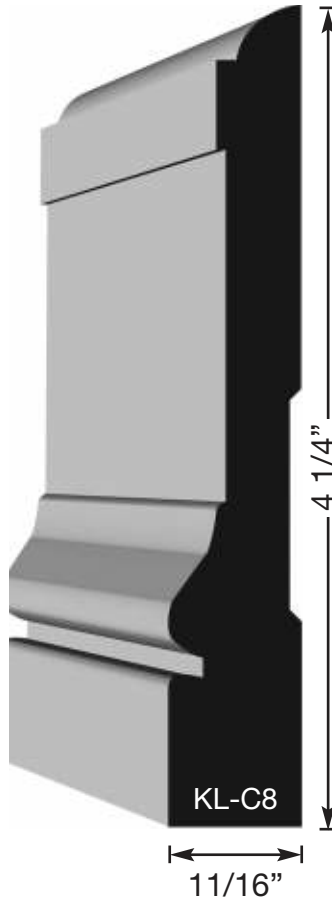
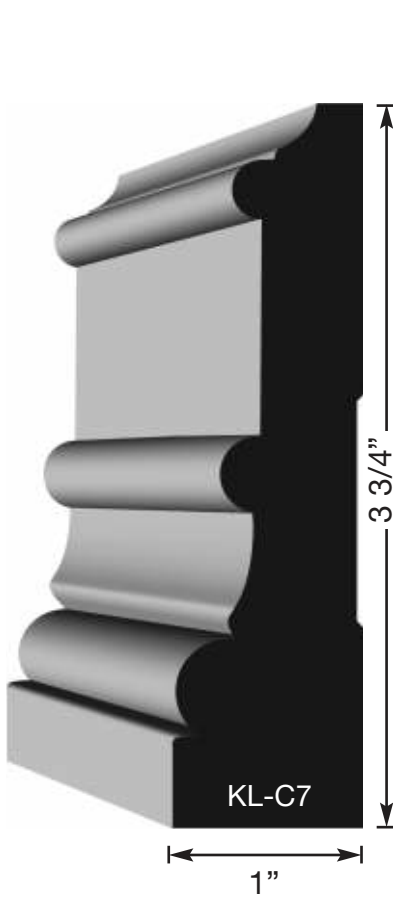


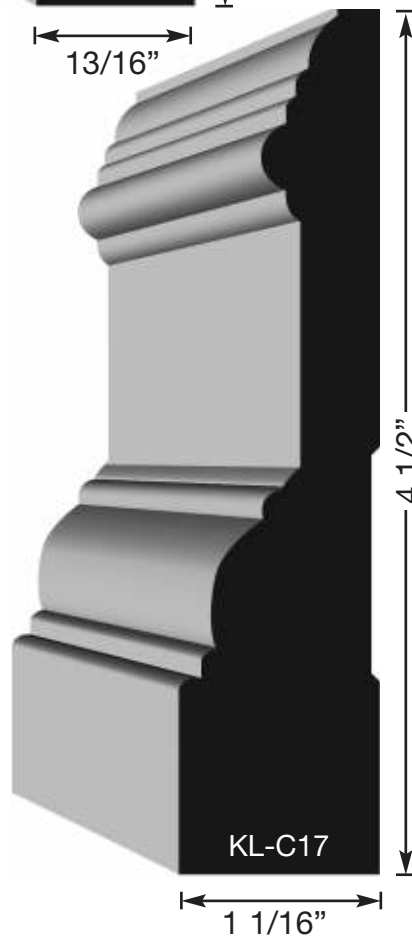
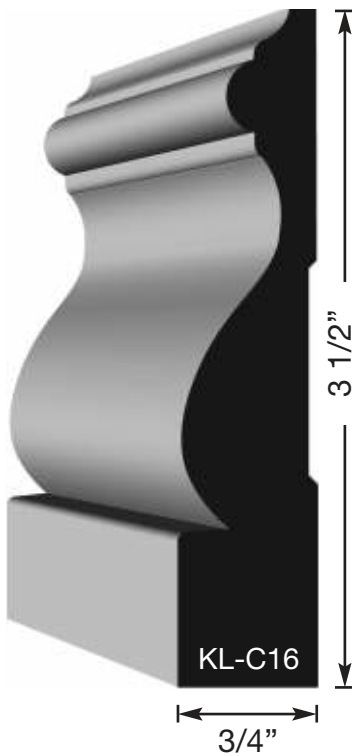
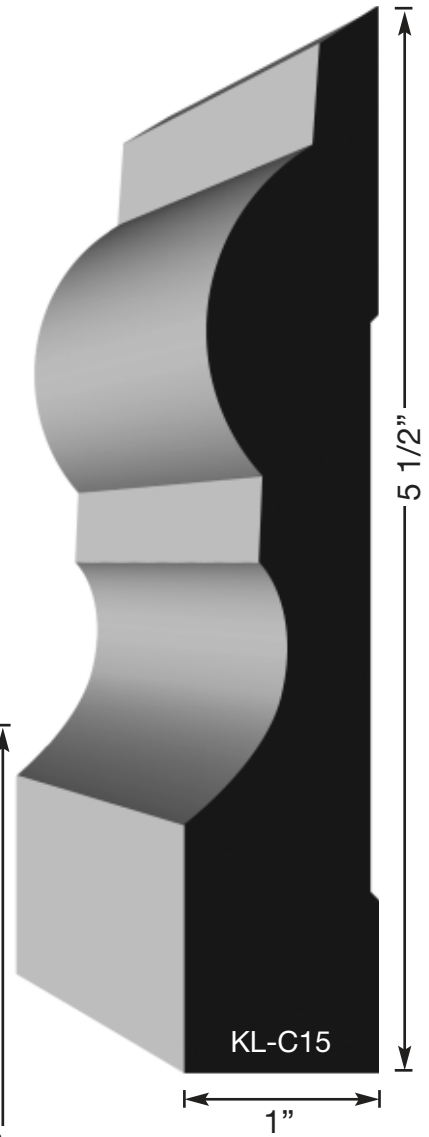
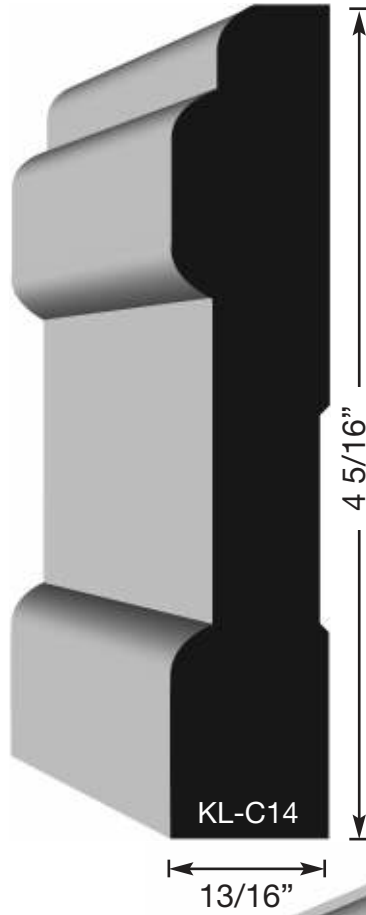
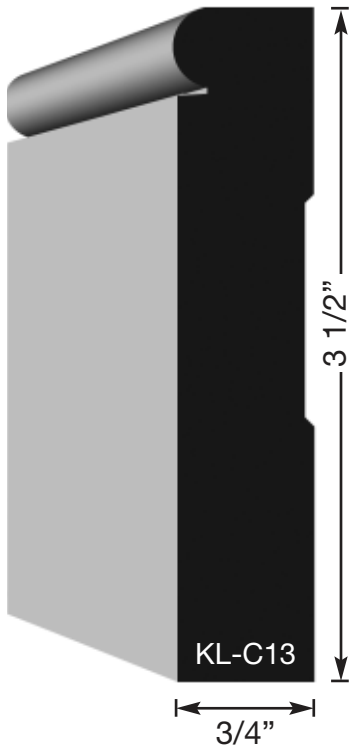


# Casing

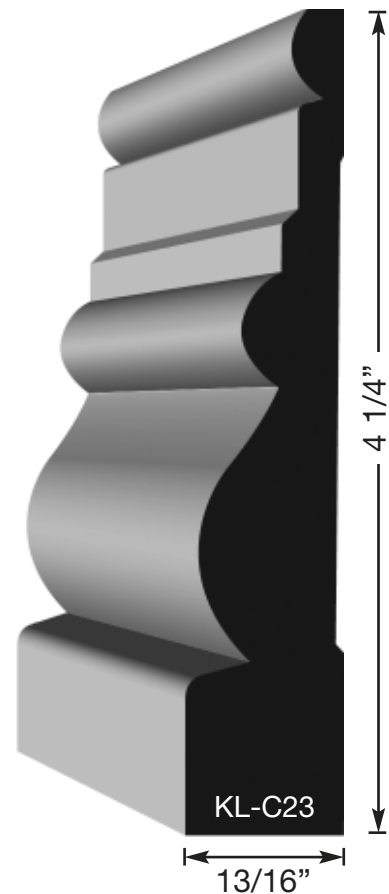
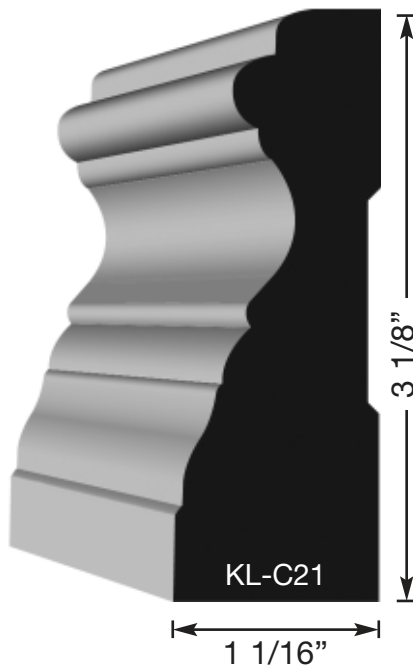
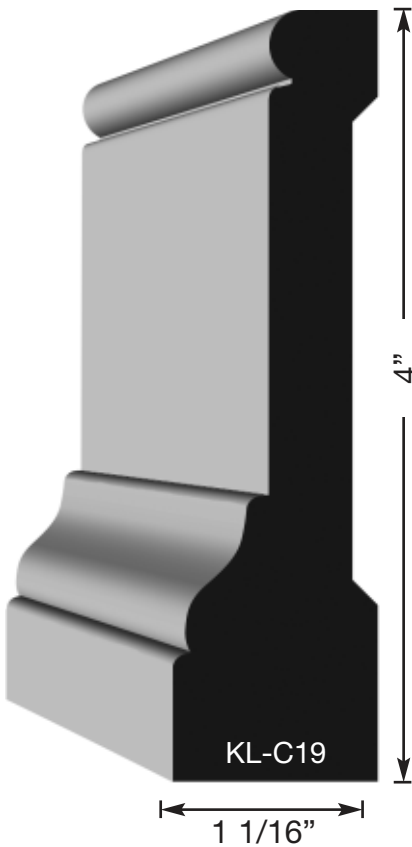
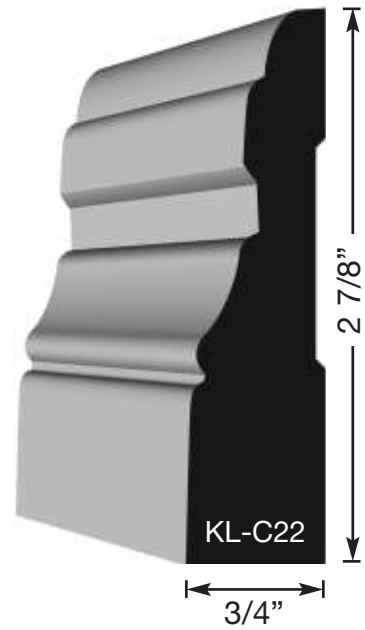
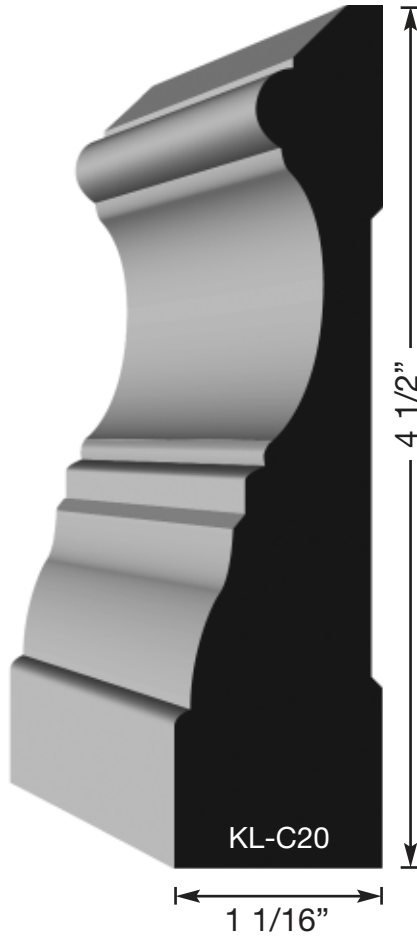
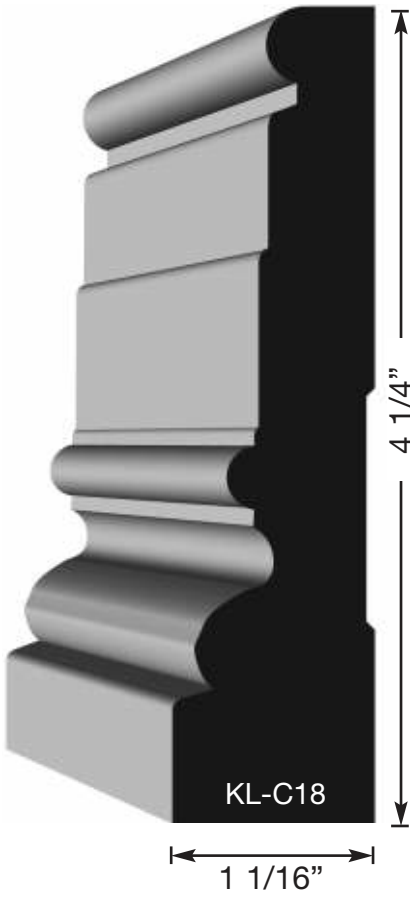


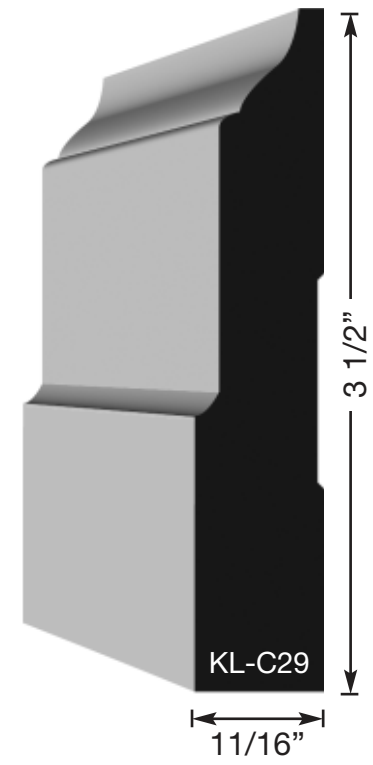
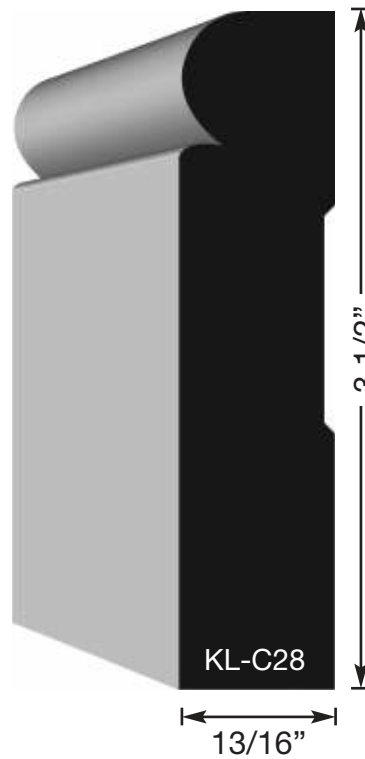
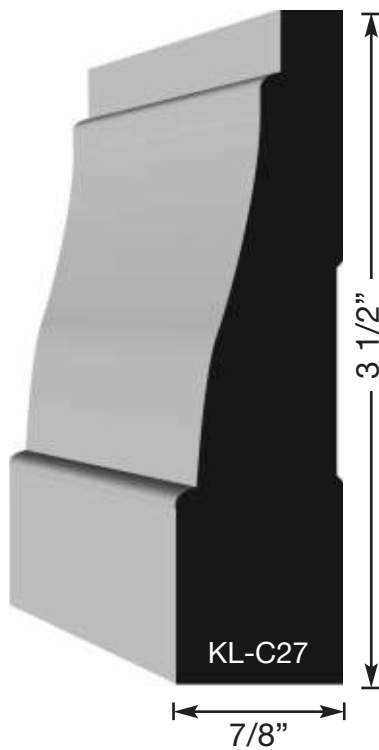
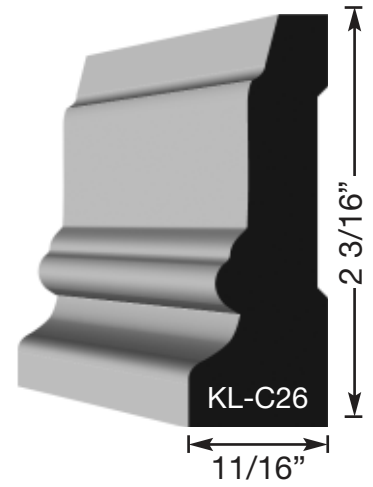
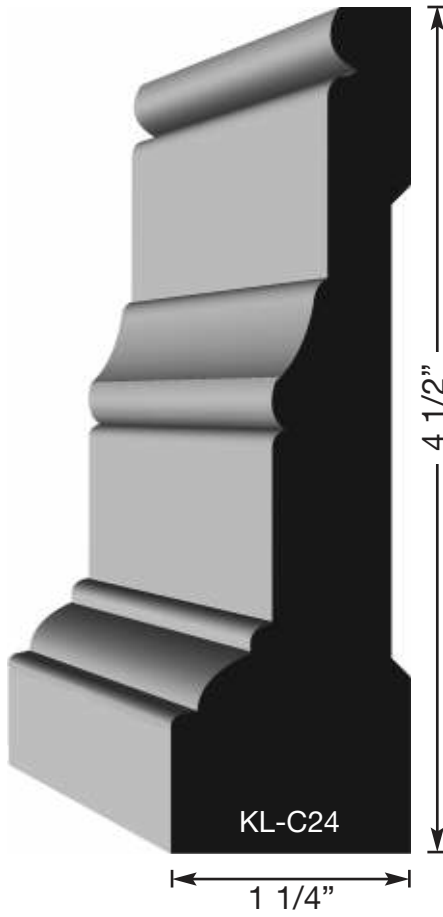
# Casing



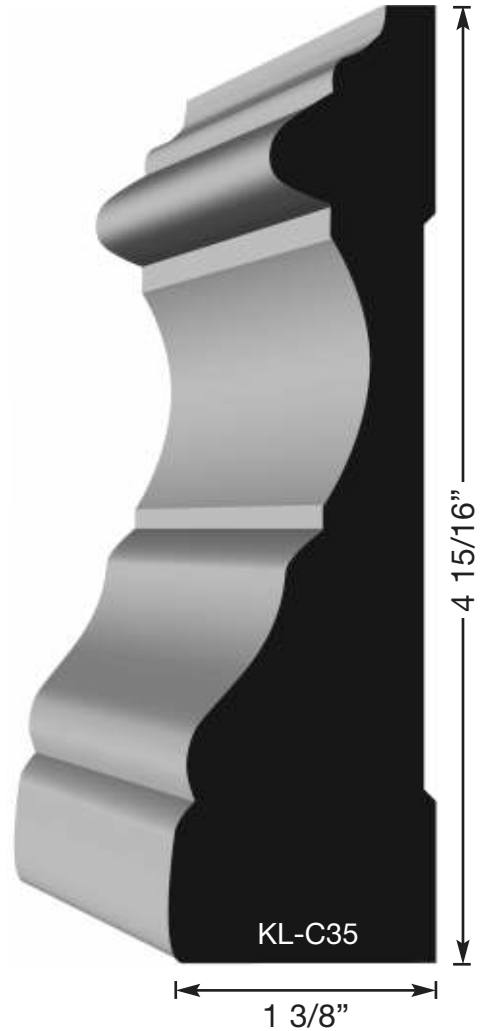
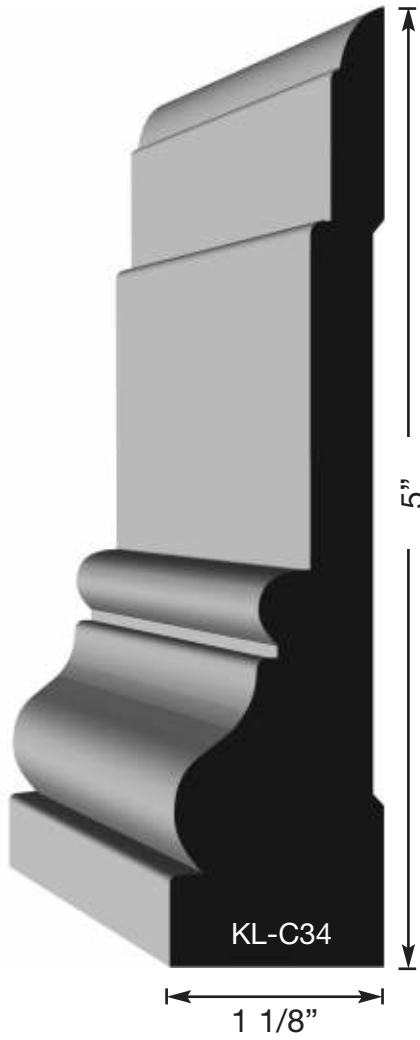
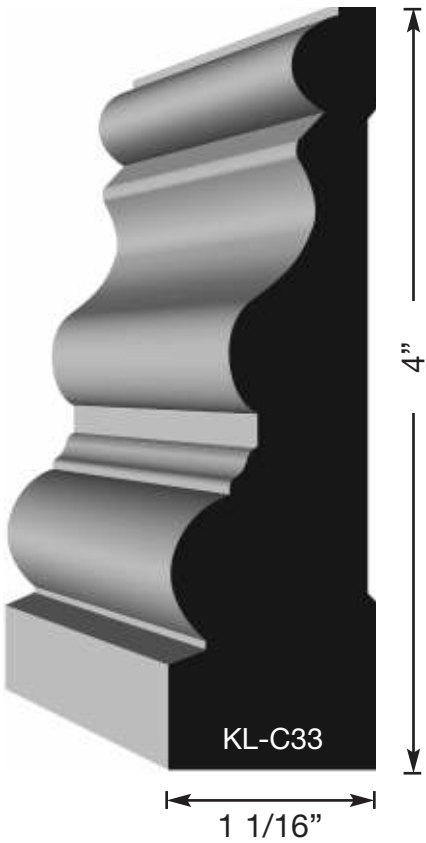
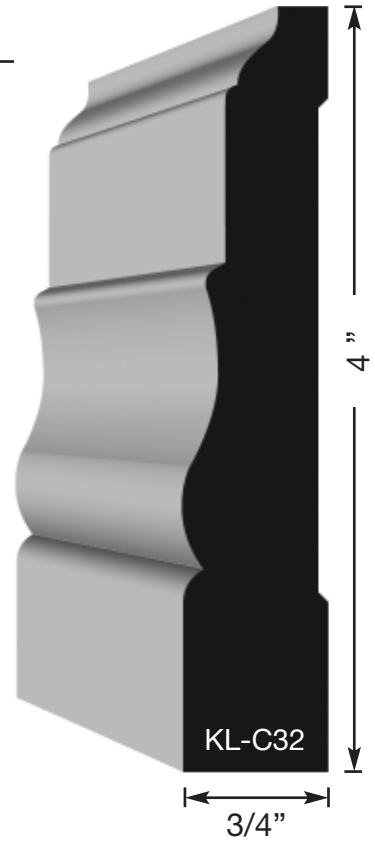
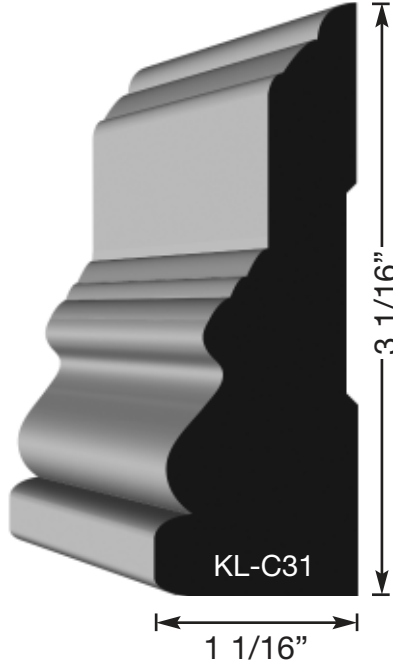
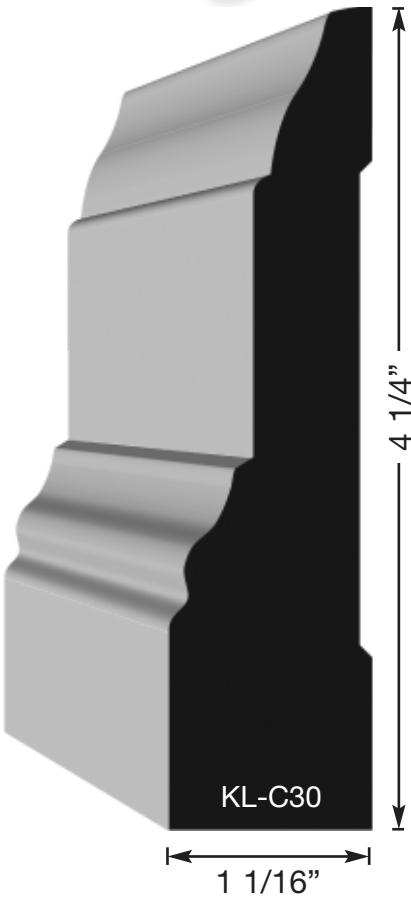


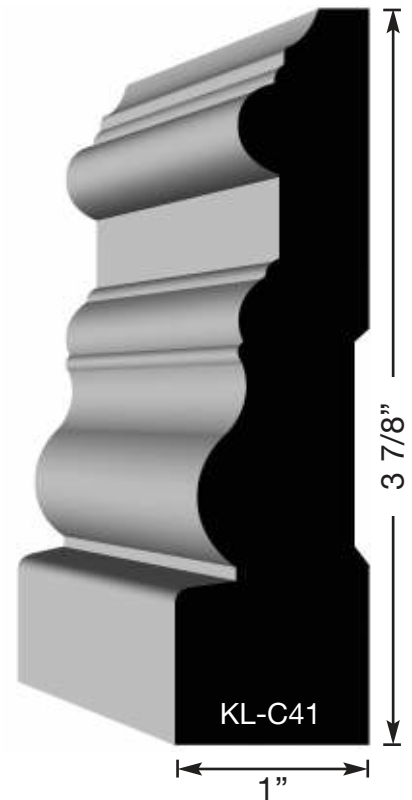
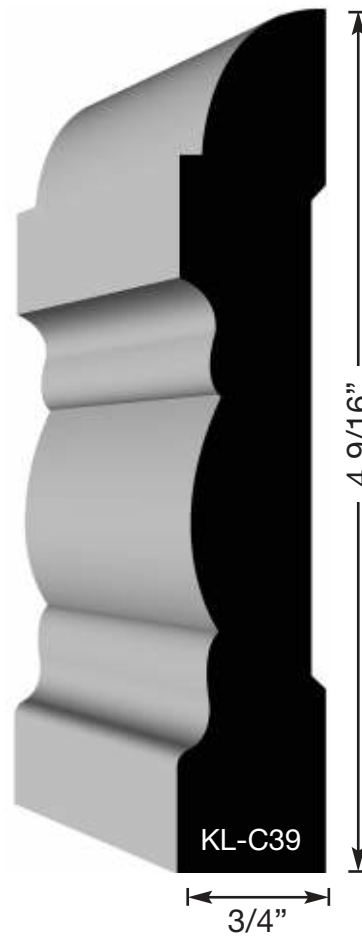
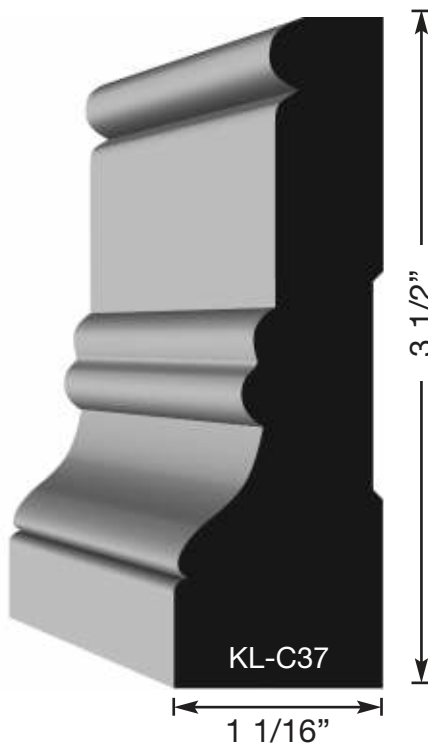
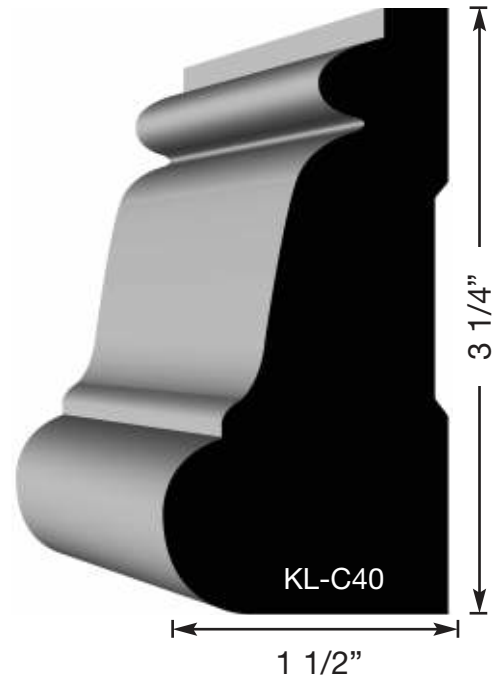
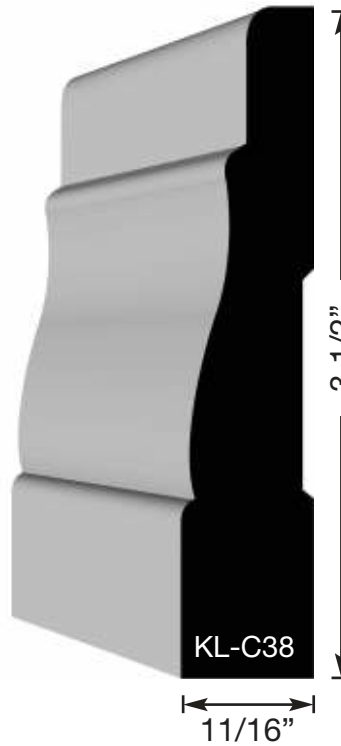
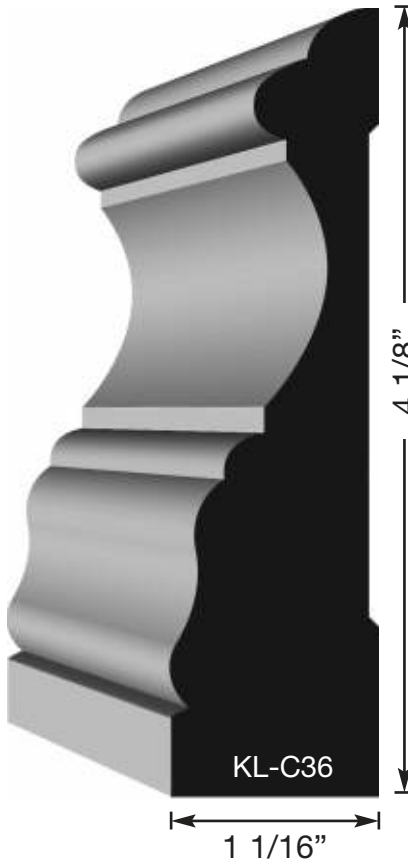
# Casing



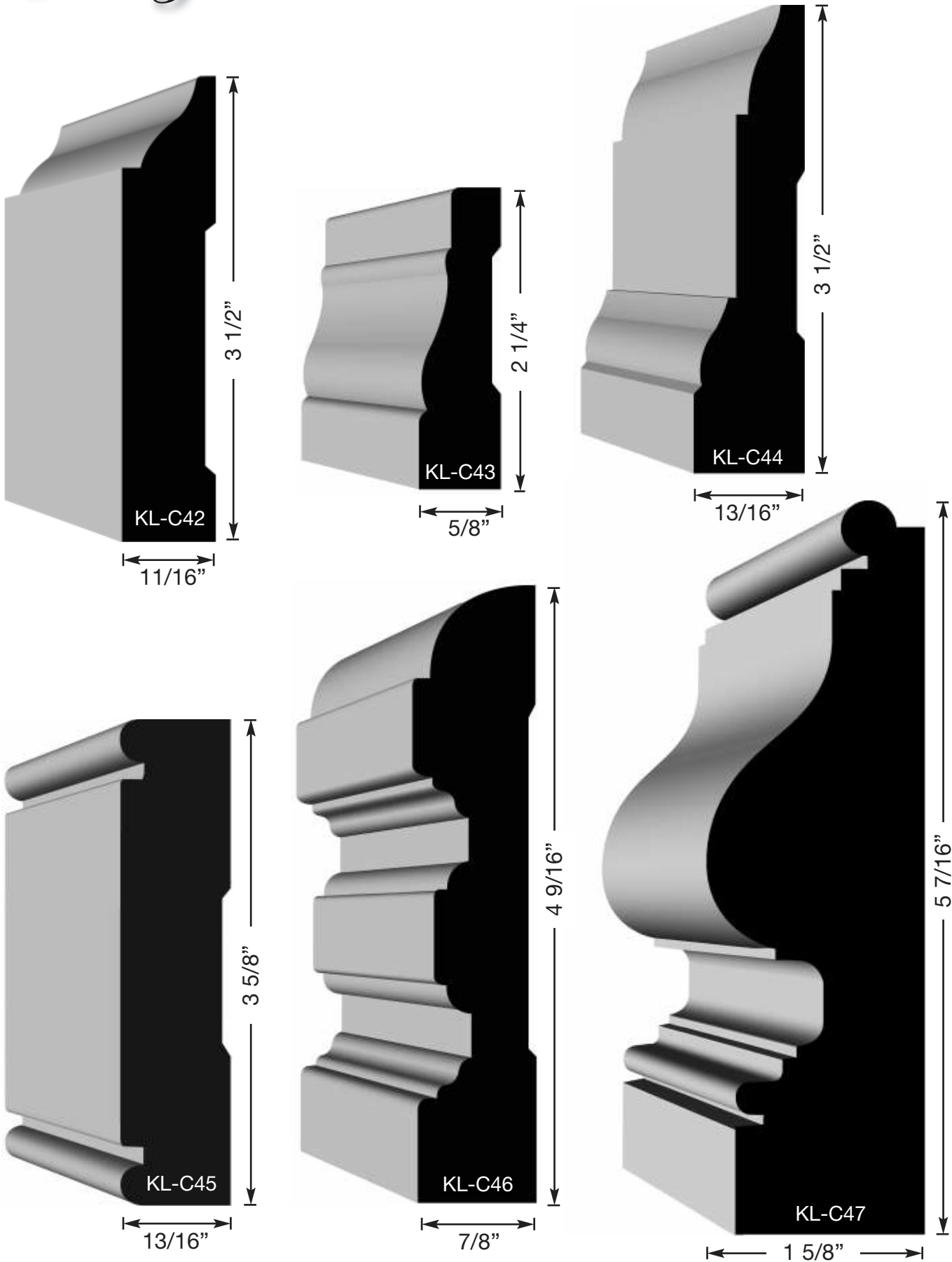


# Casing

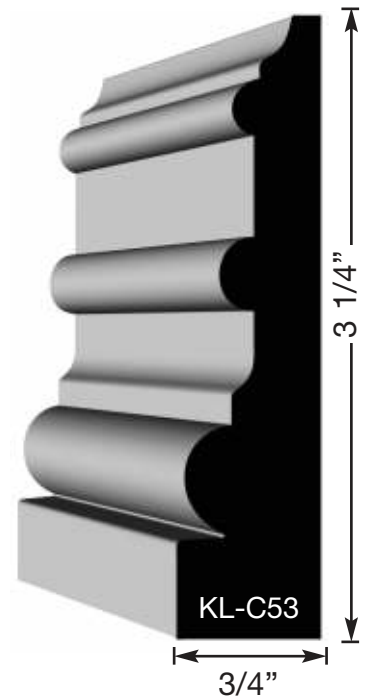
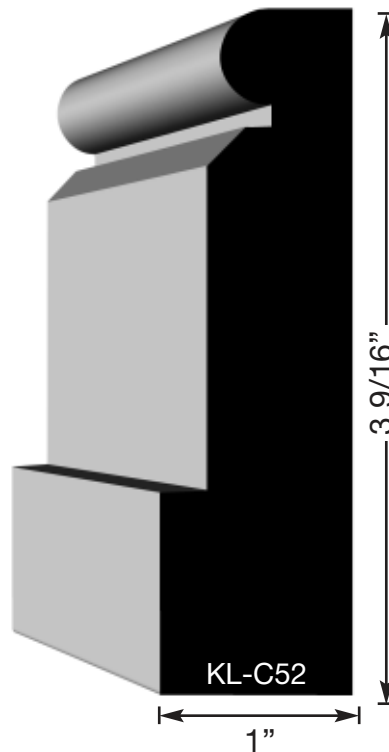
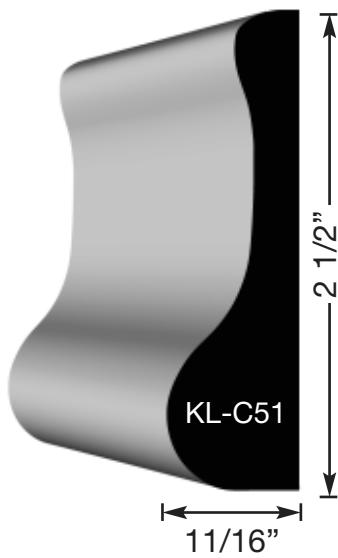
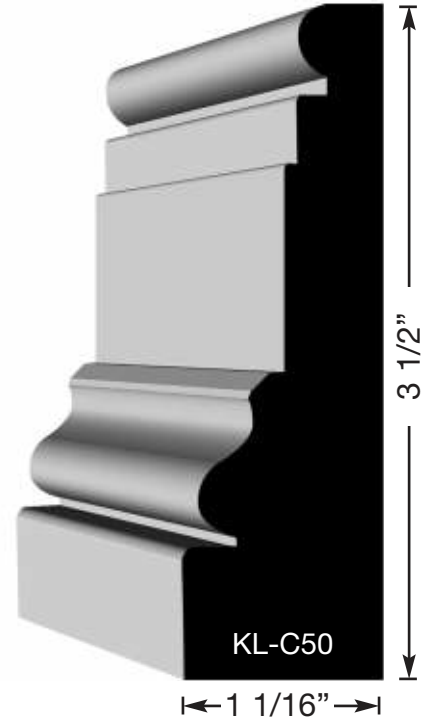
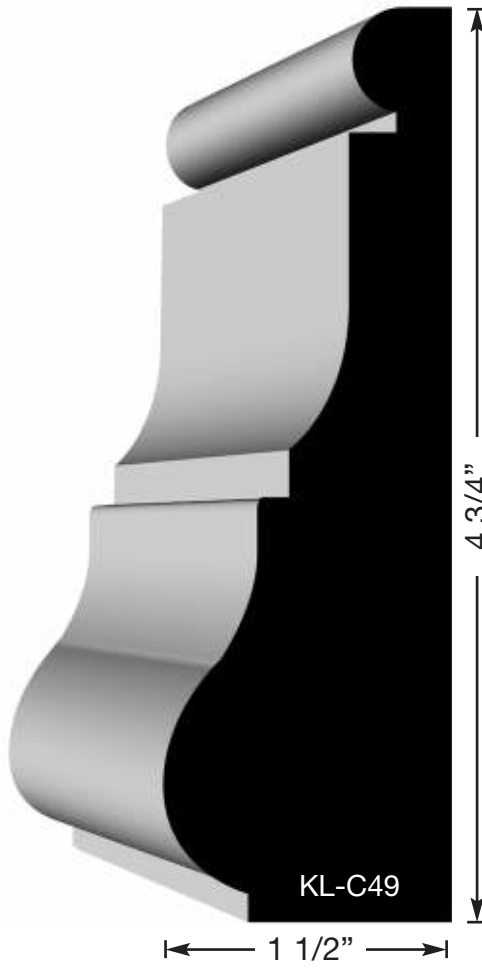
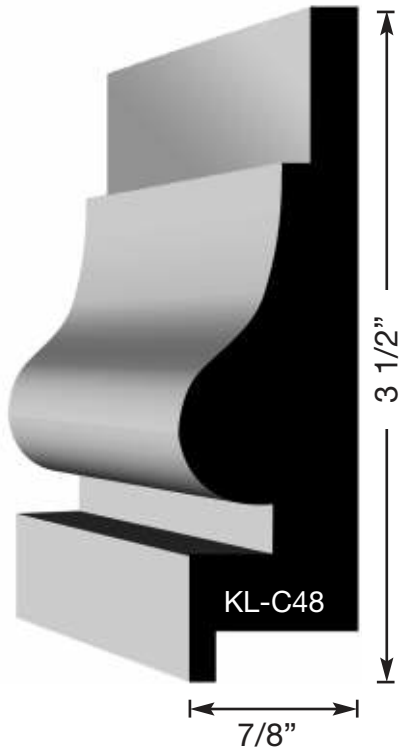




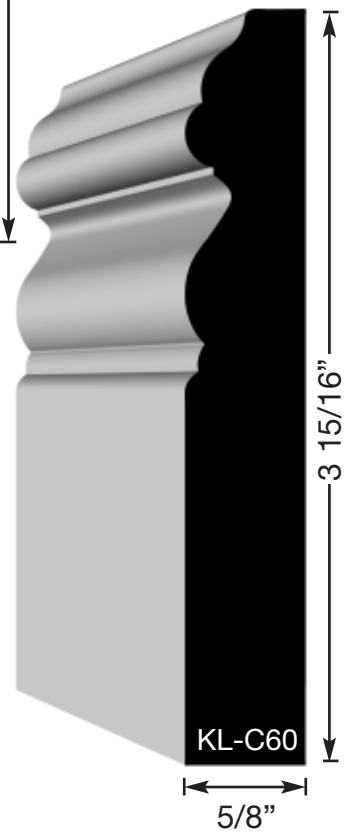
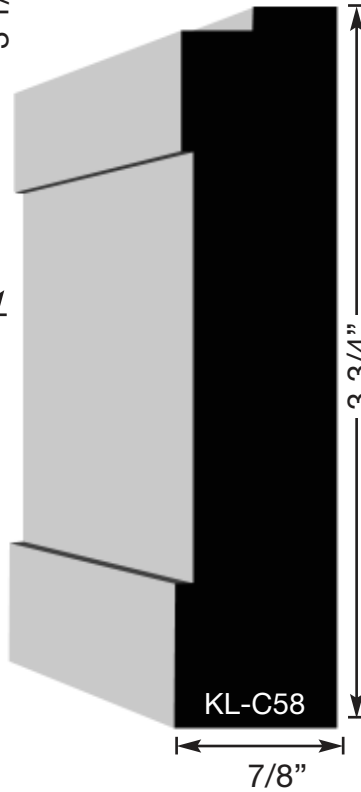
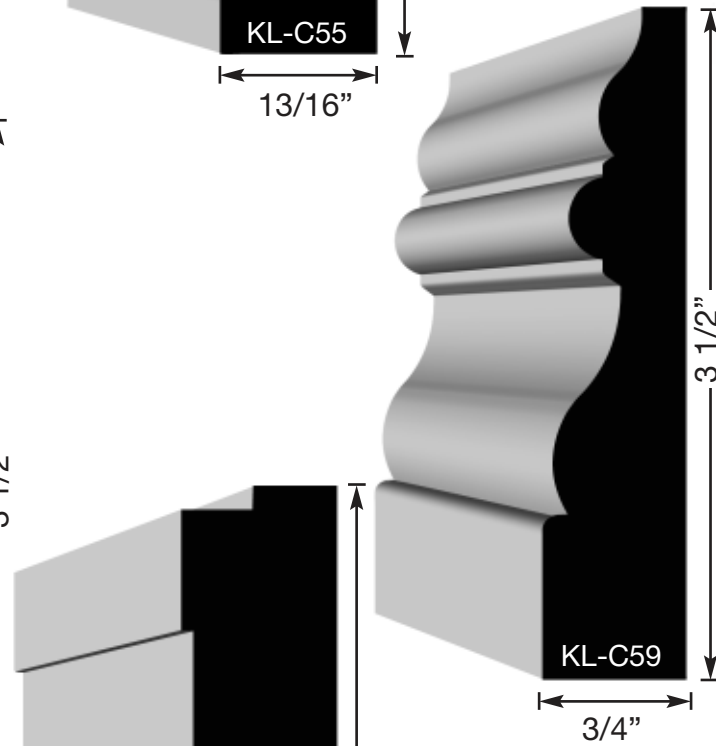
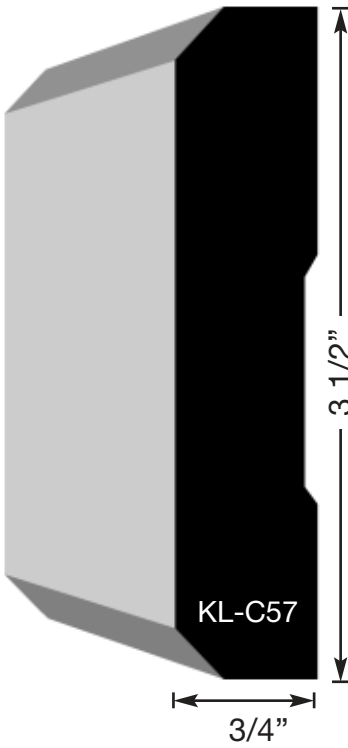
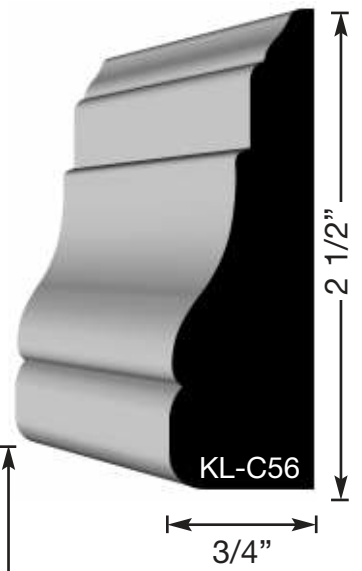
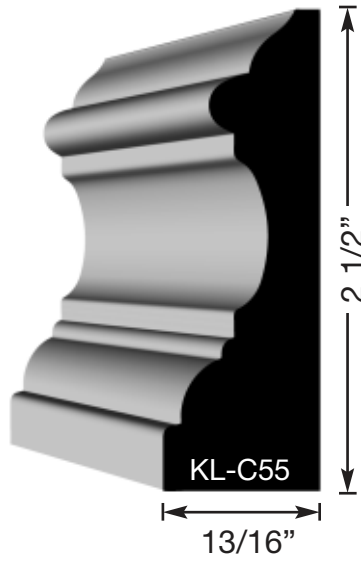
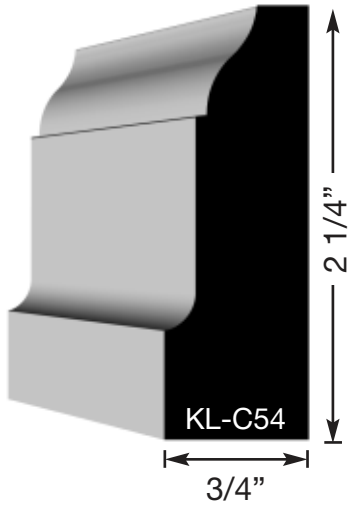
# Casing

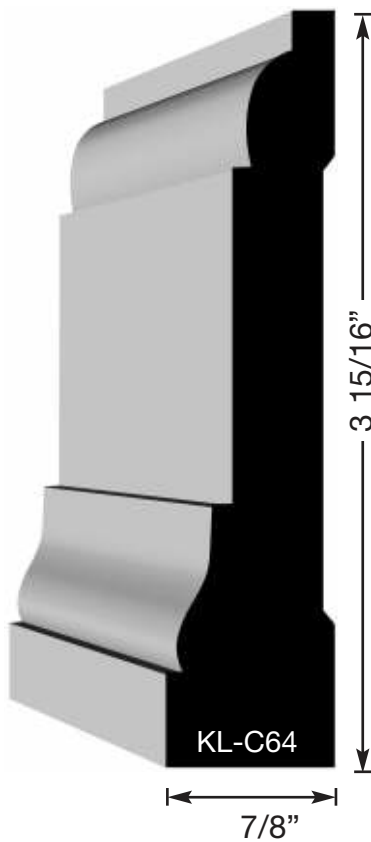
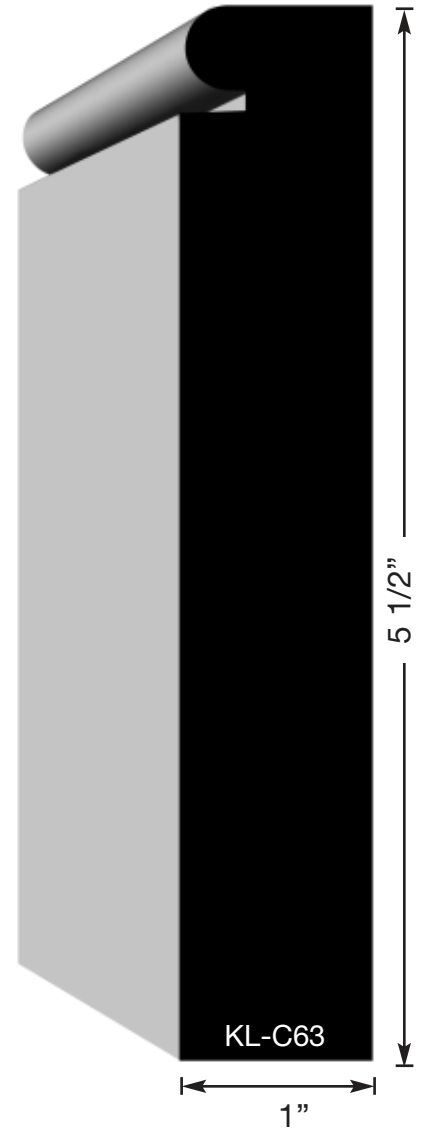
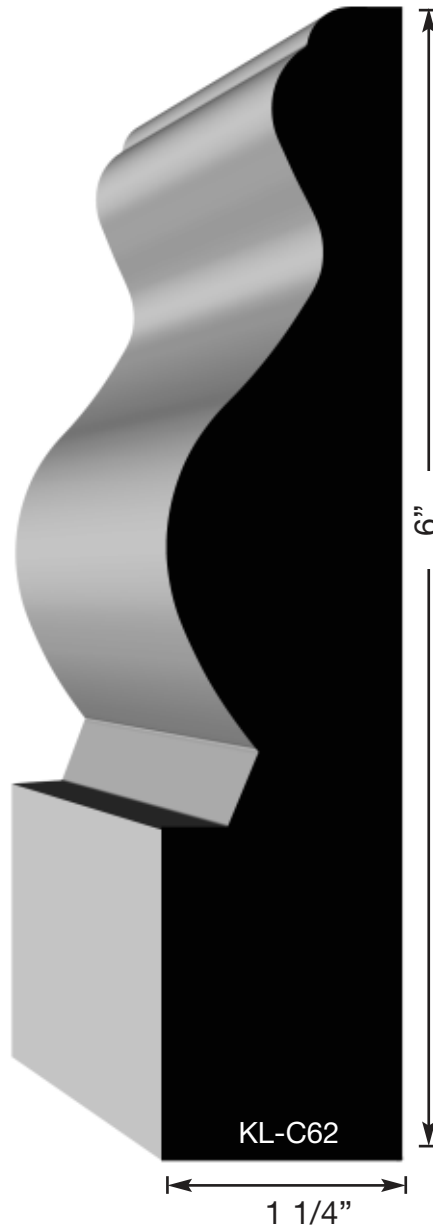
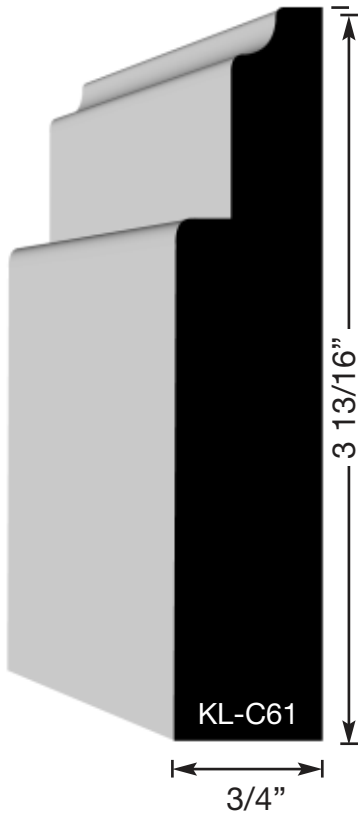




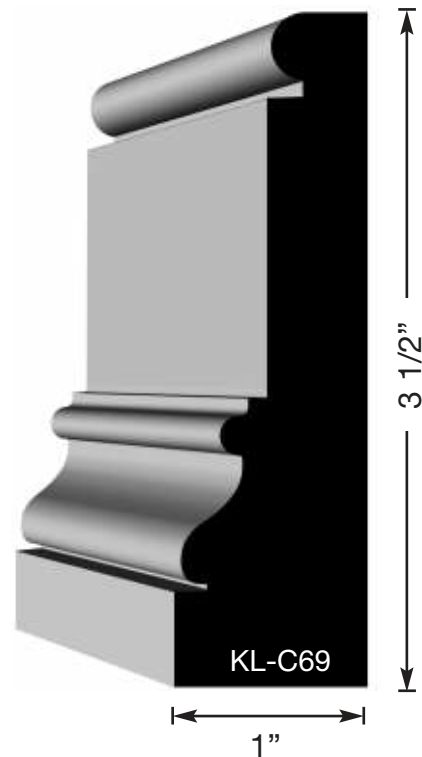
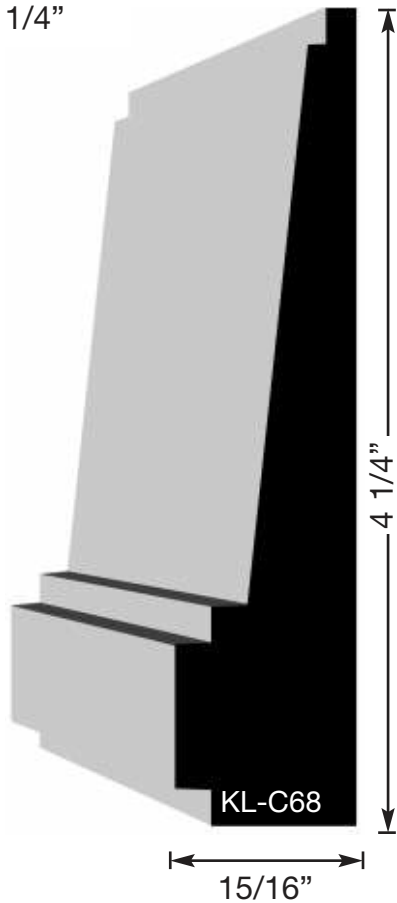
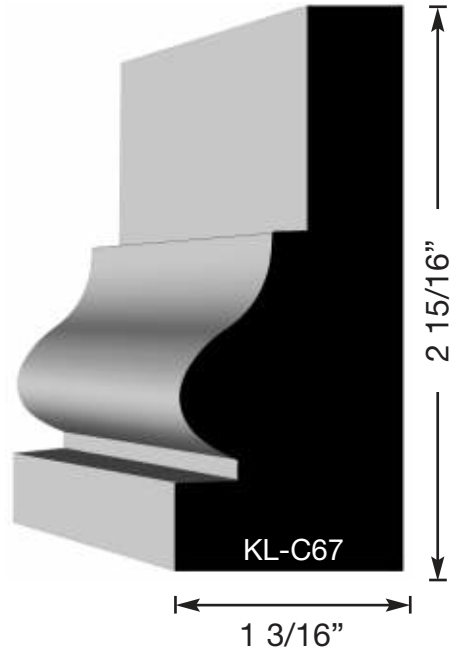
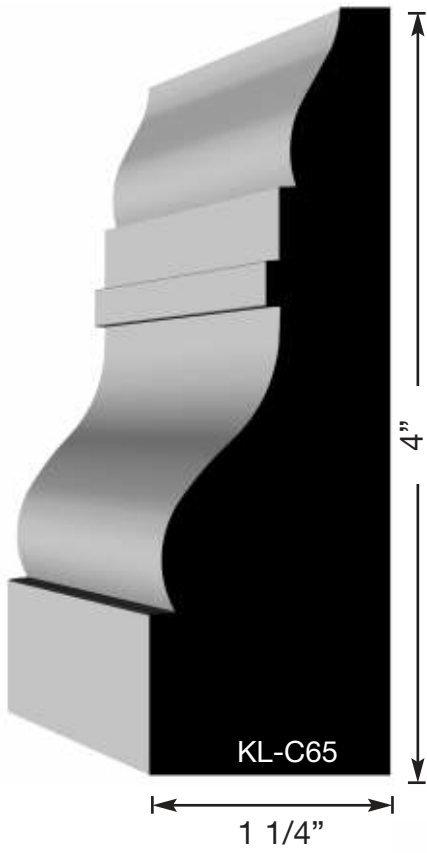


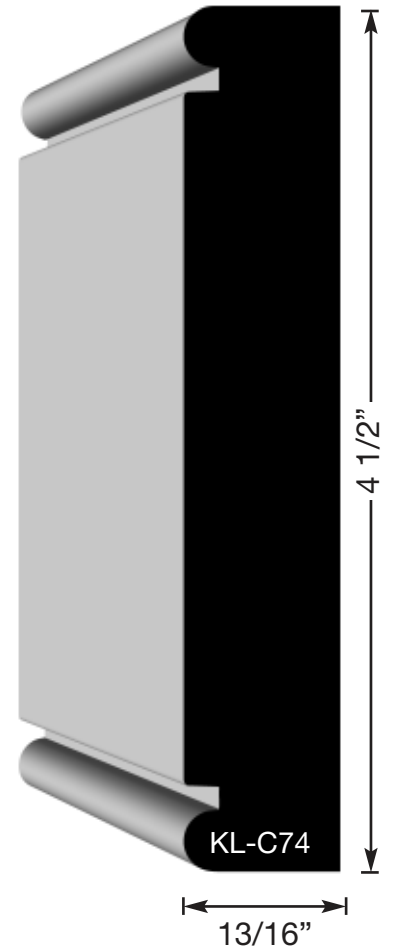
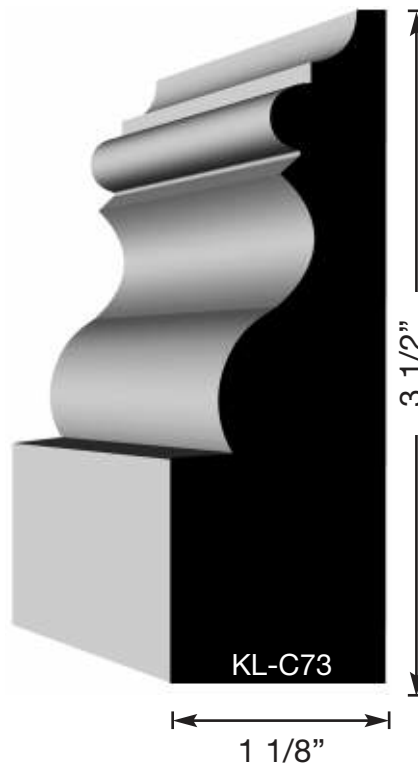
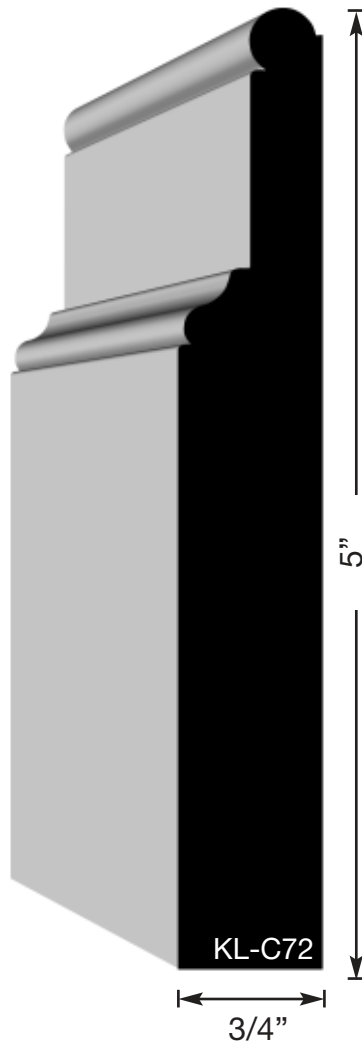
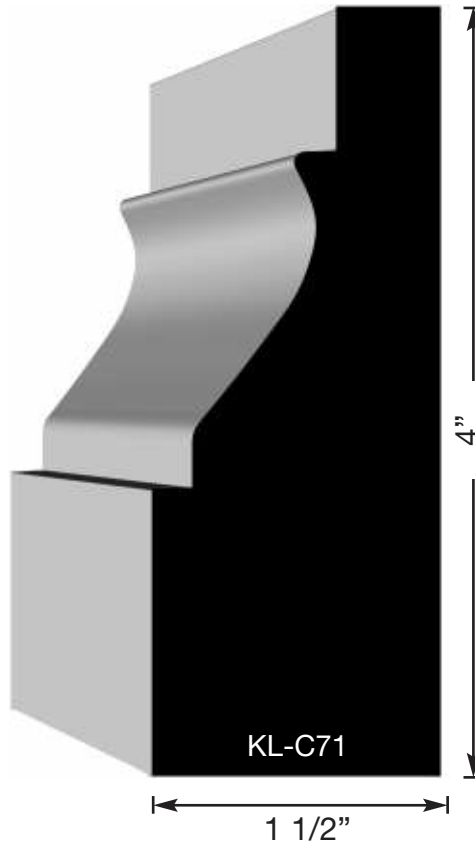
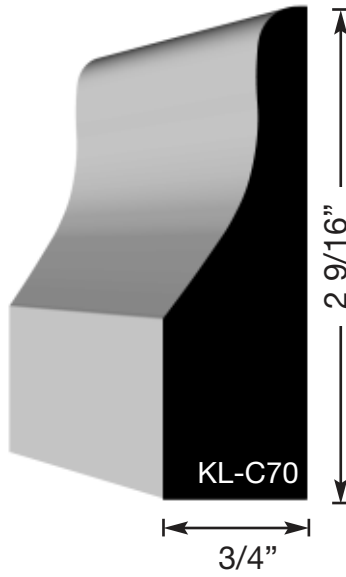
# Casing



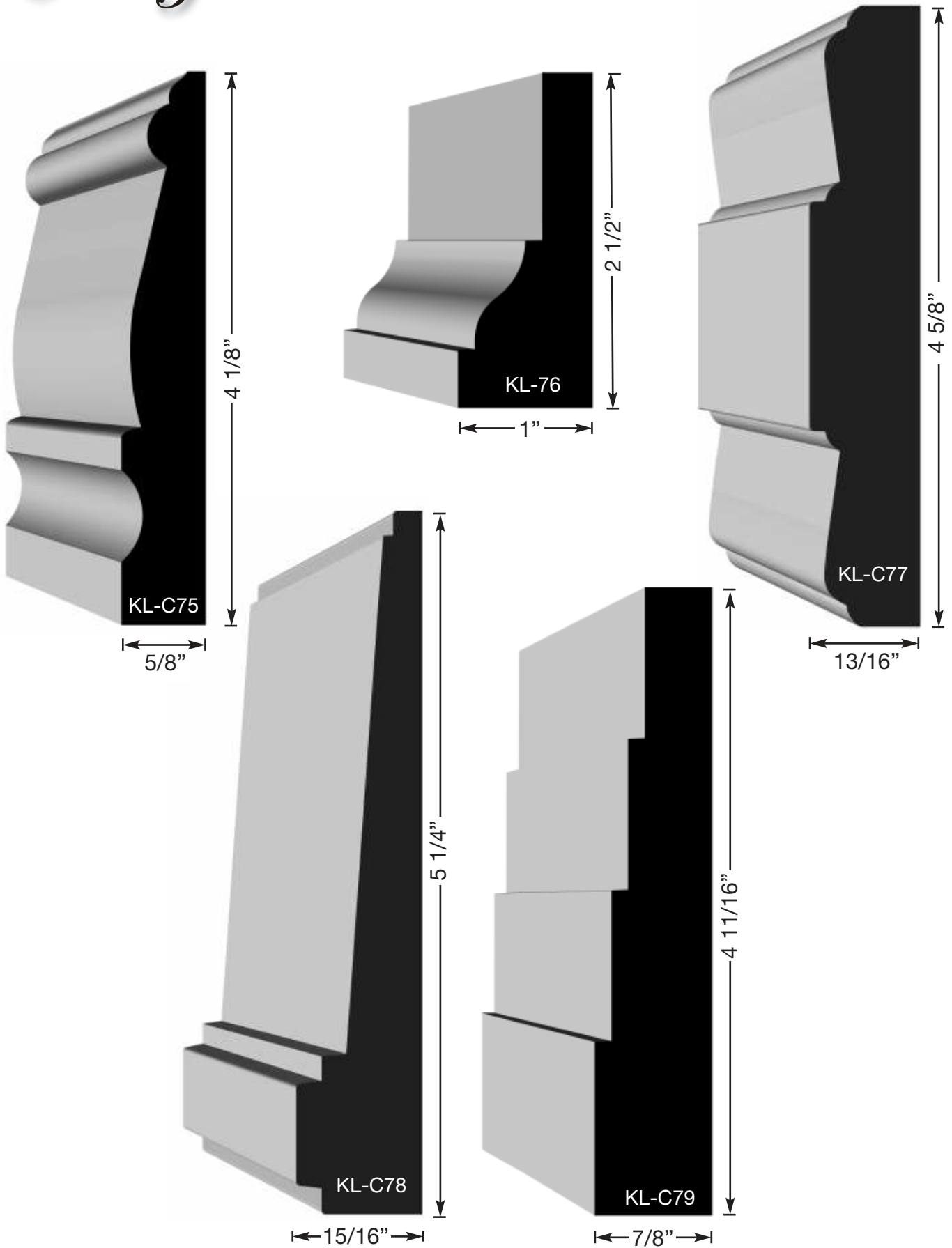


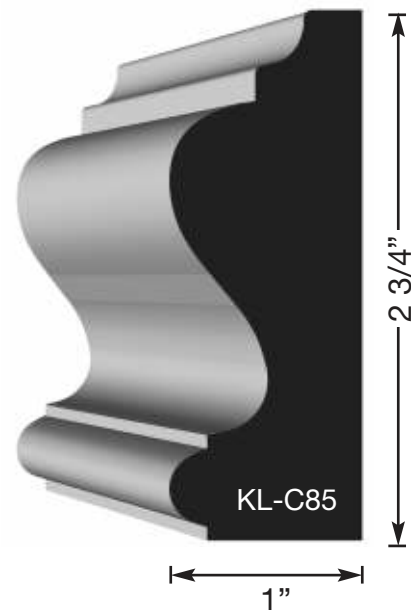
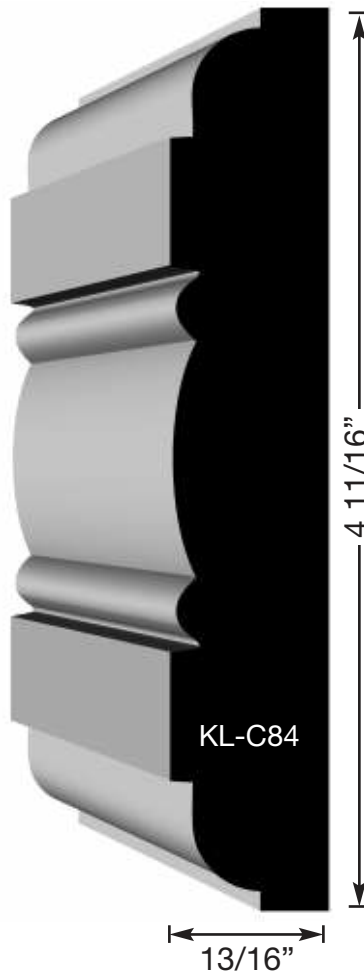
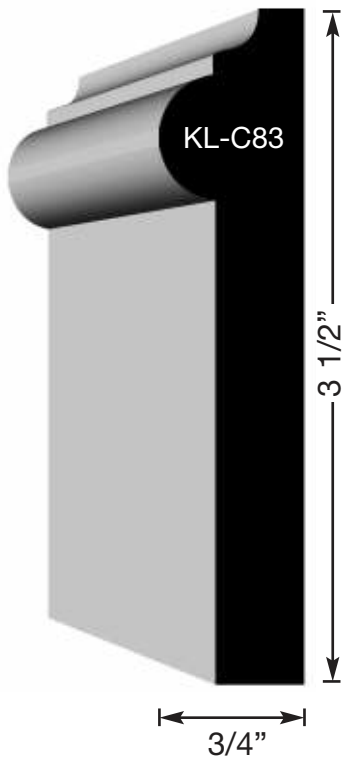
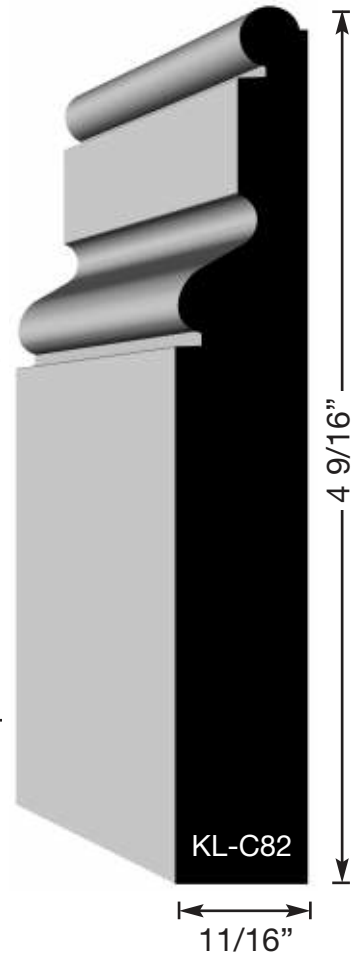
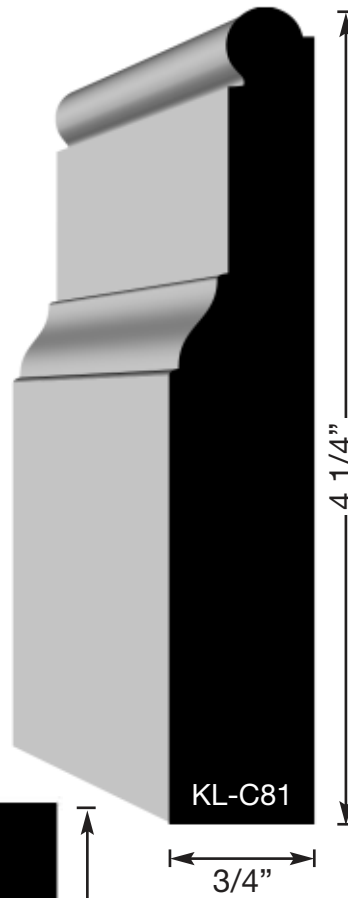
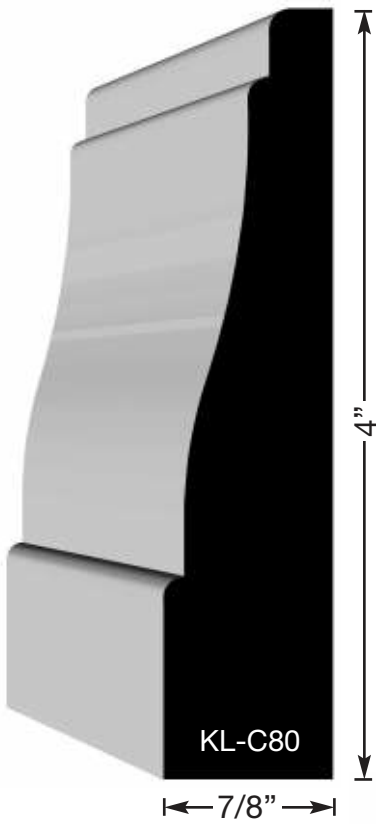
# Casing



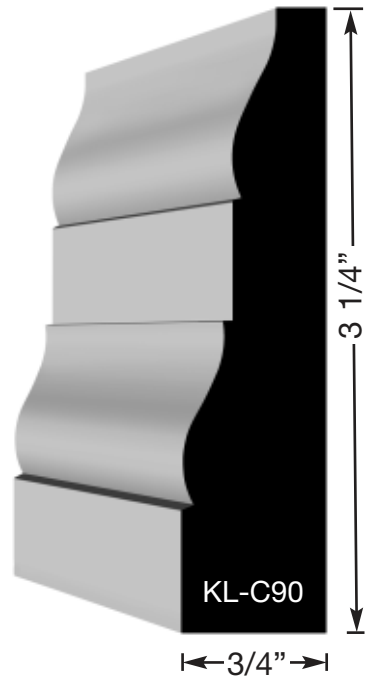
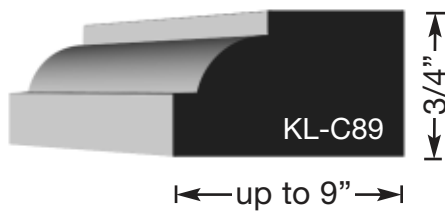
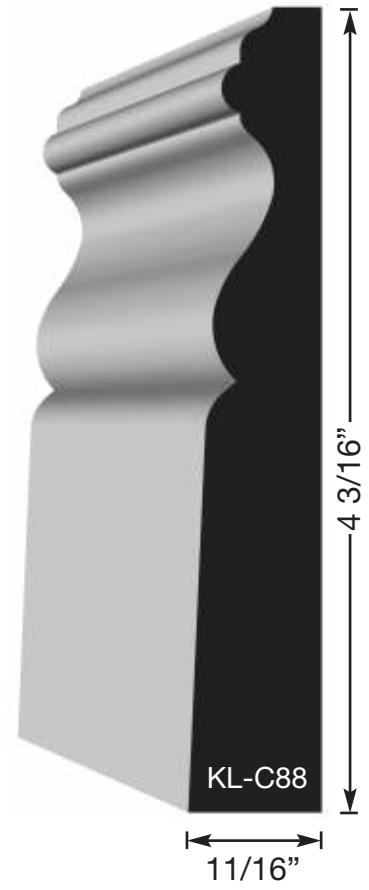
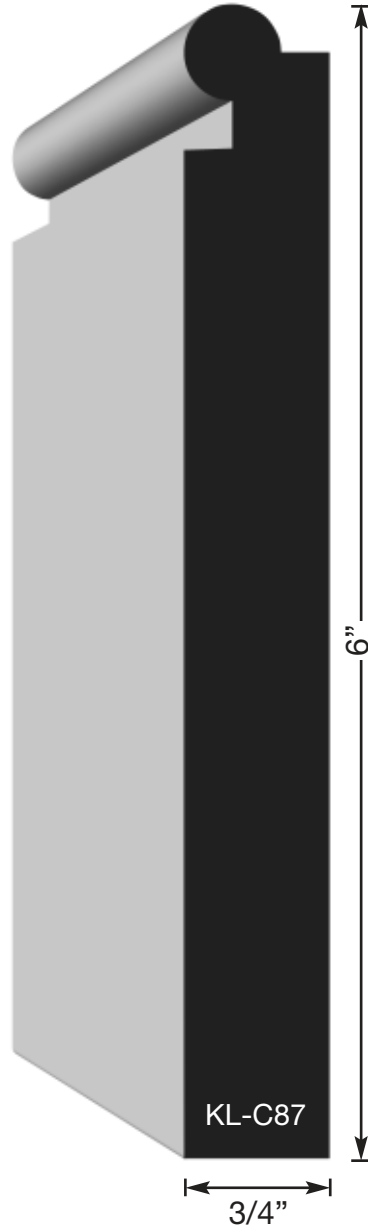
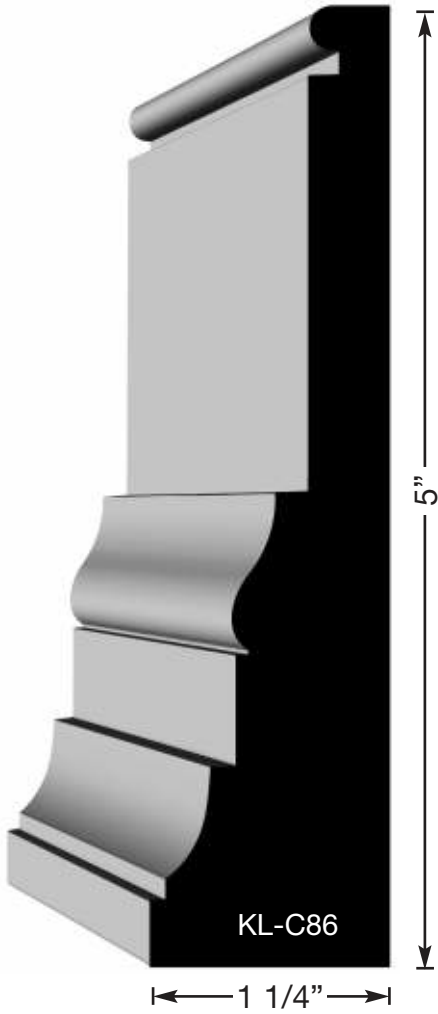


# Casing

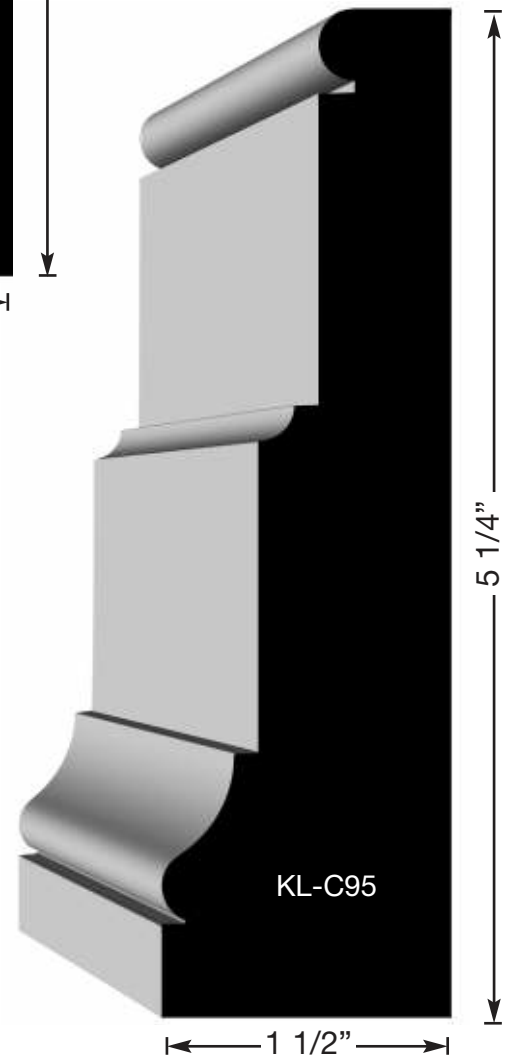
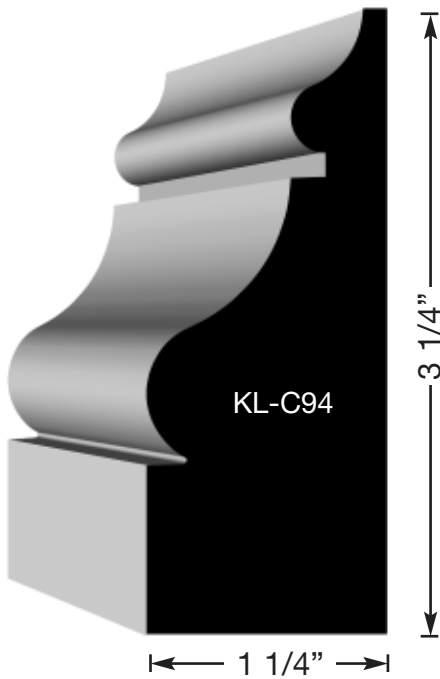
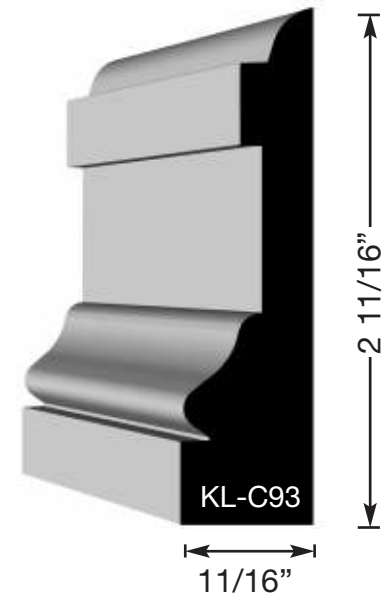
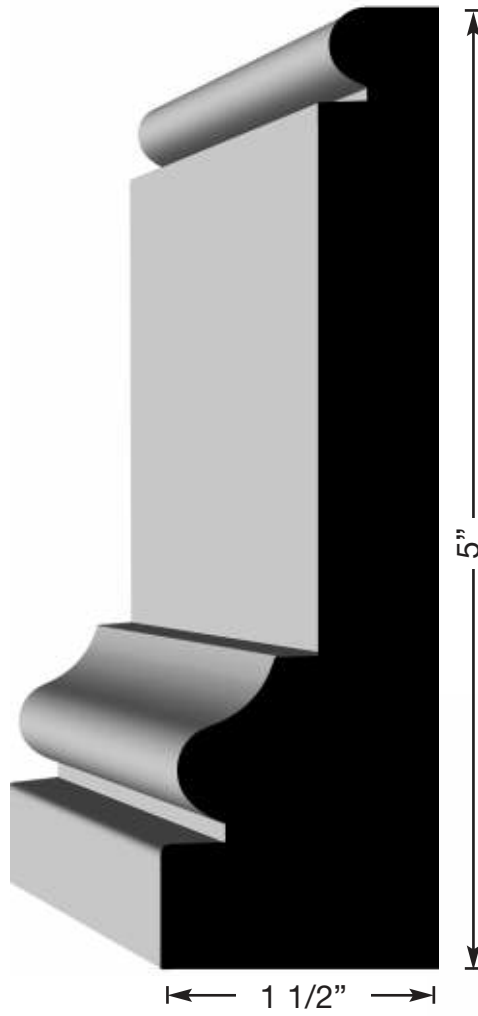
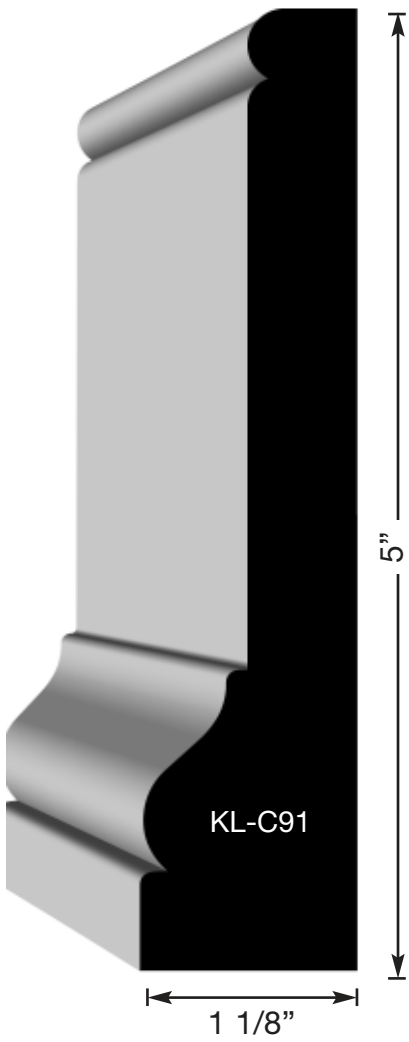




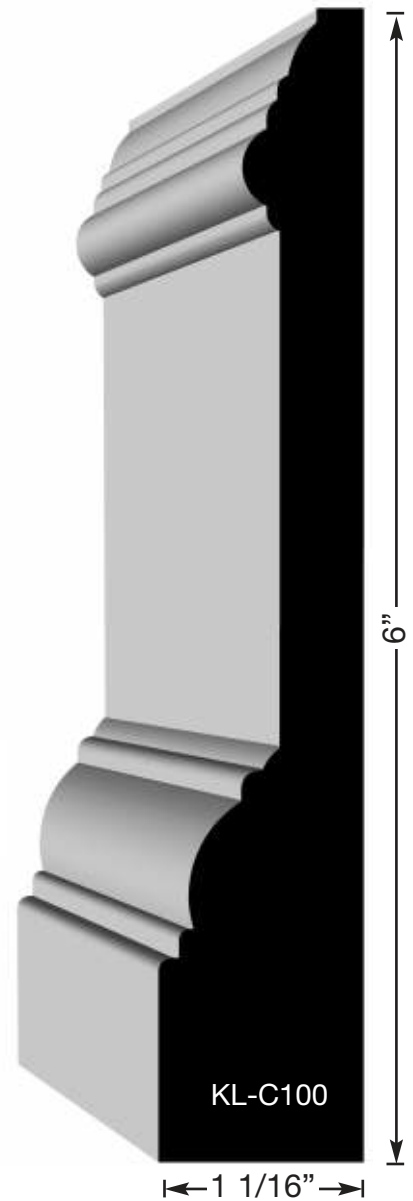
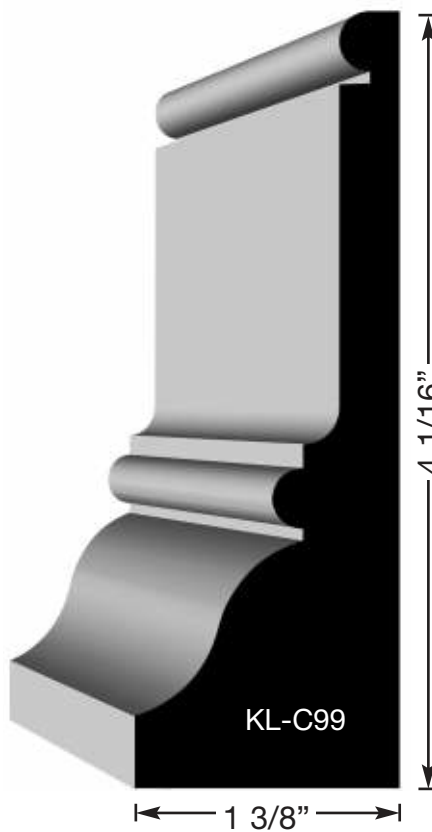
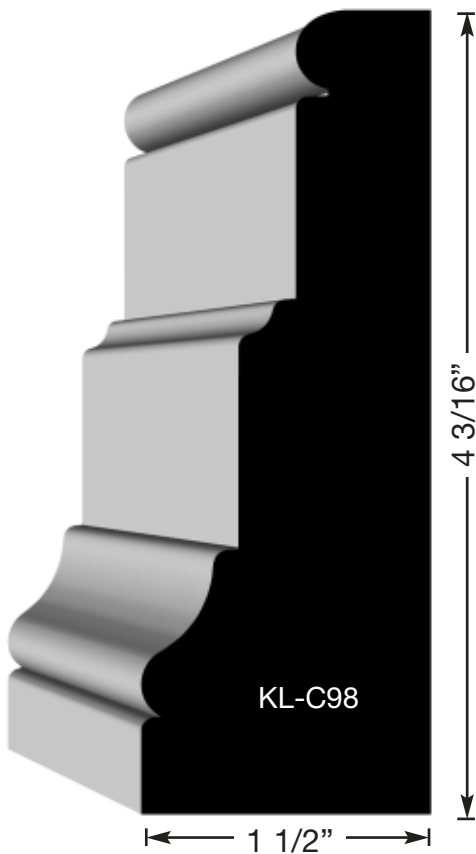
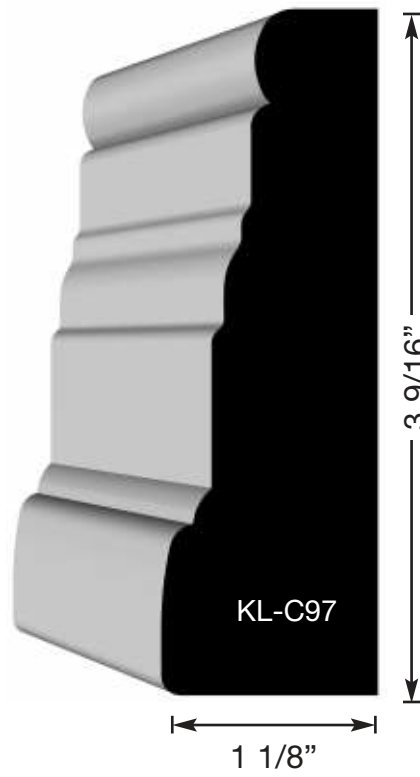
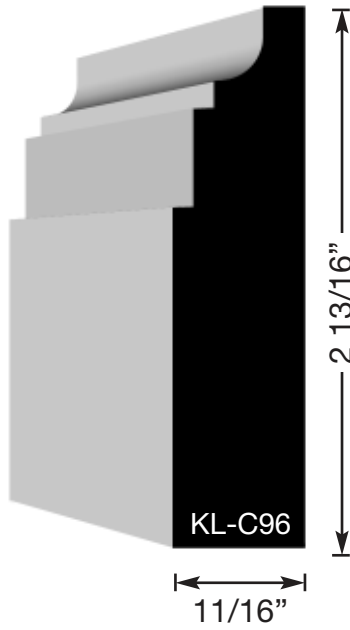
# Casing

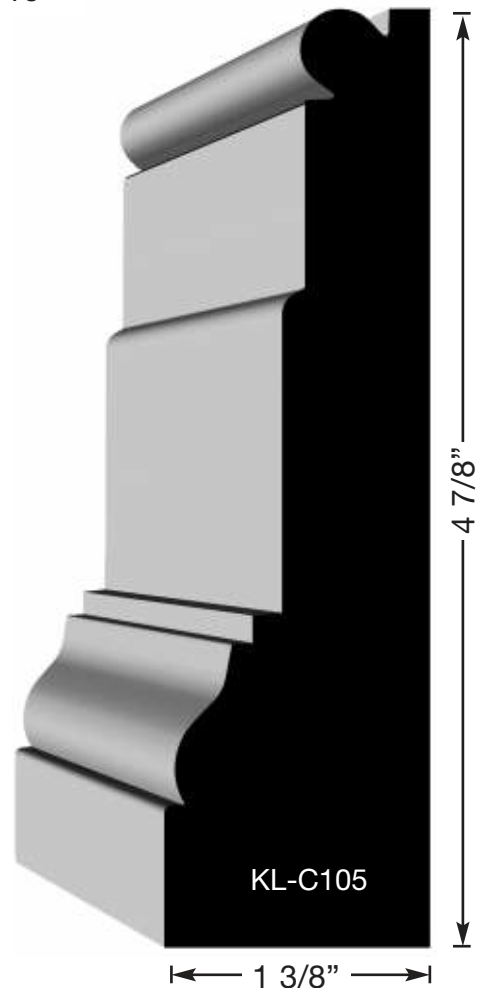
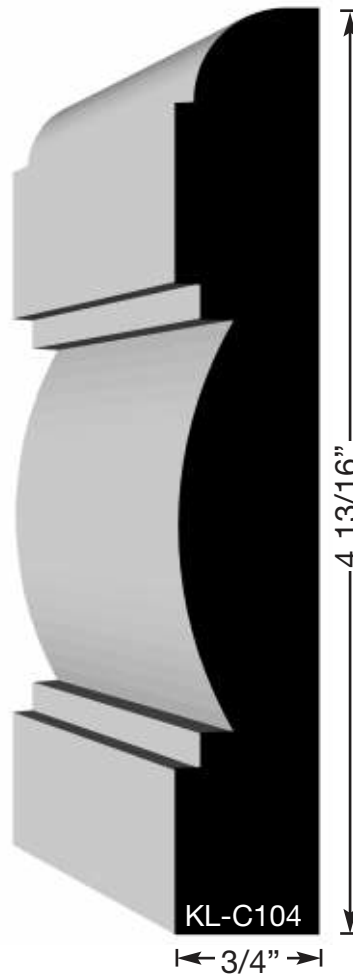
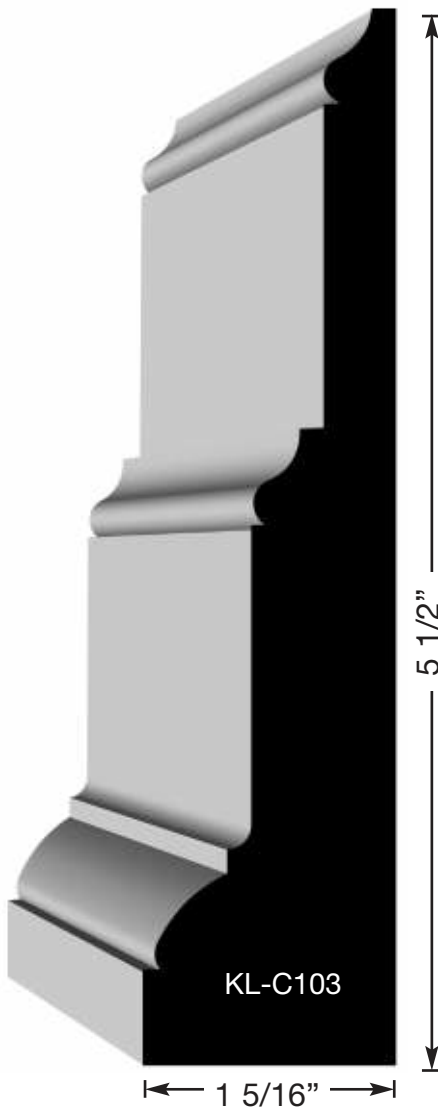
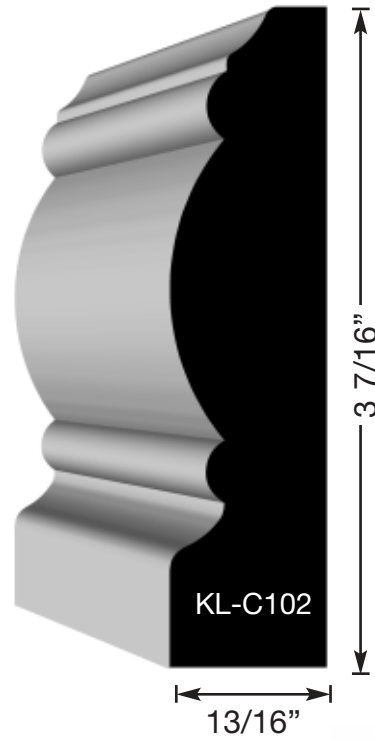
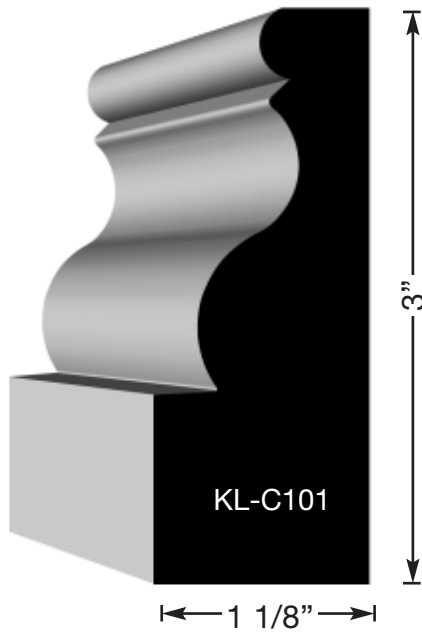




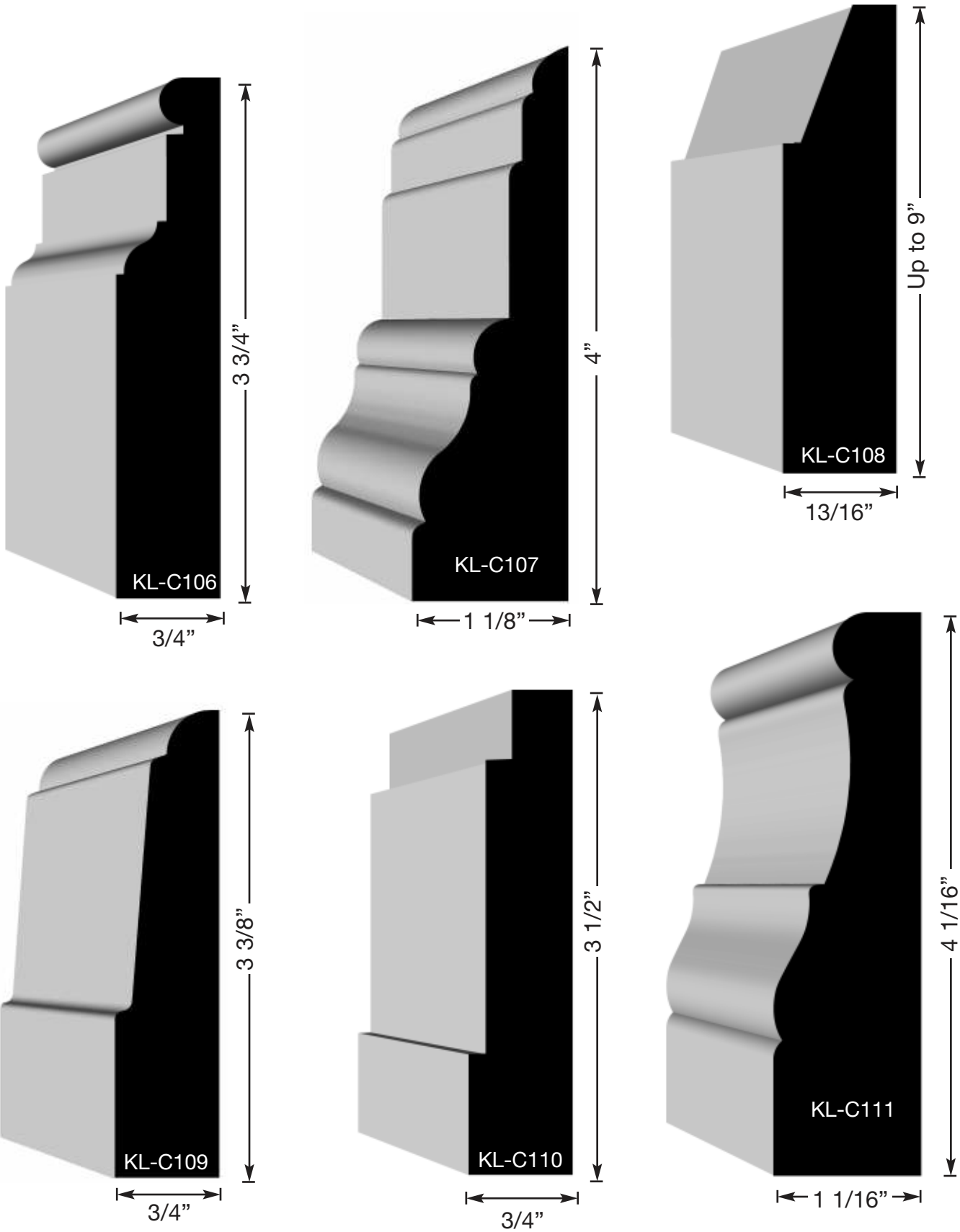


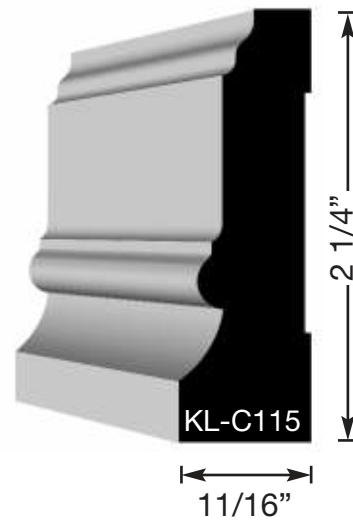
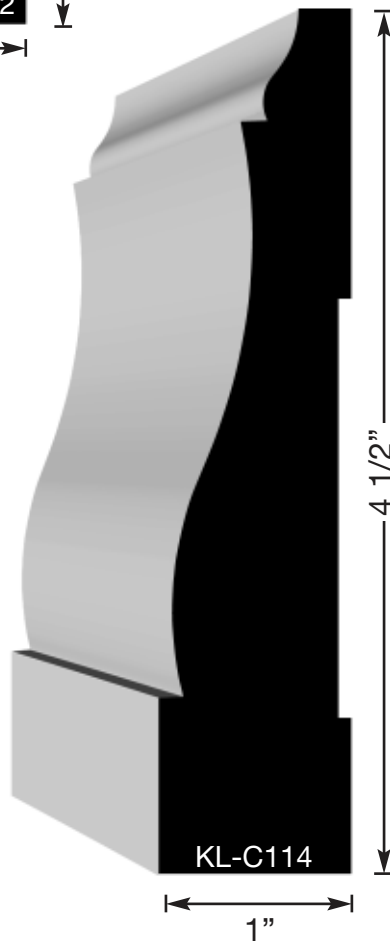
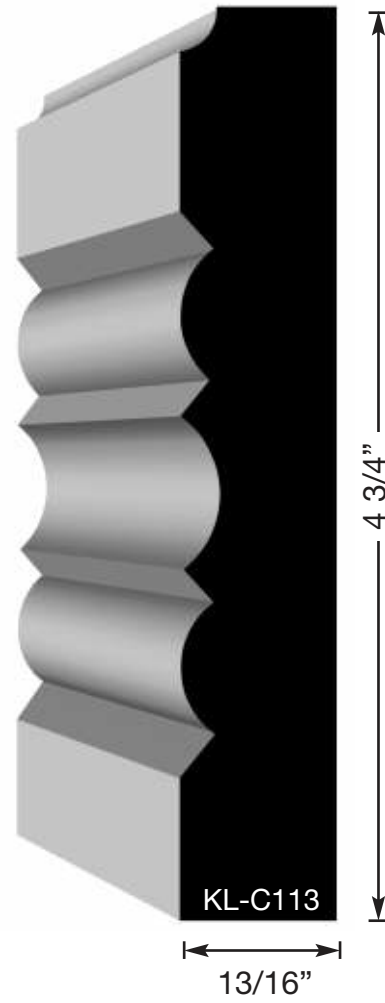
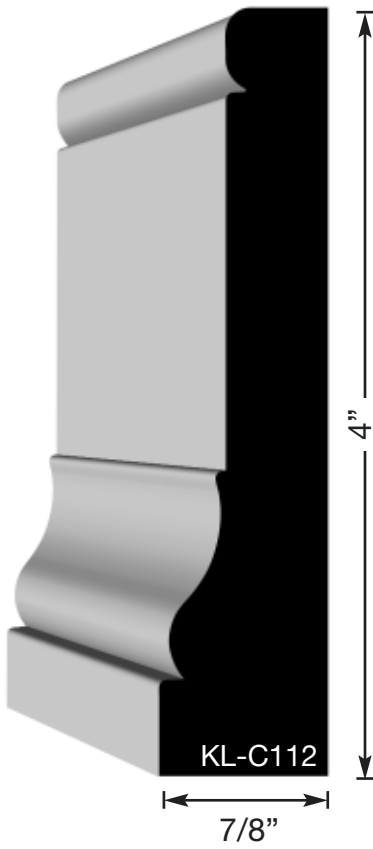
# Casing



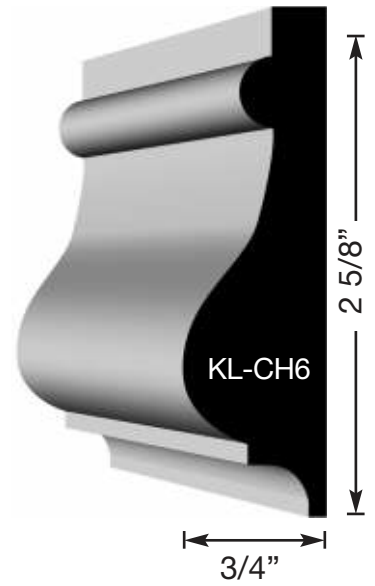
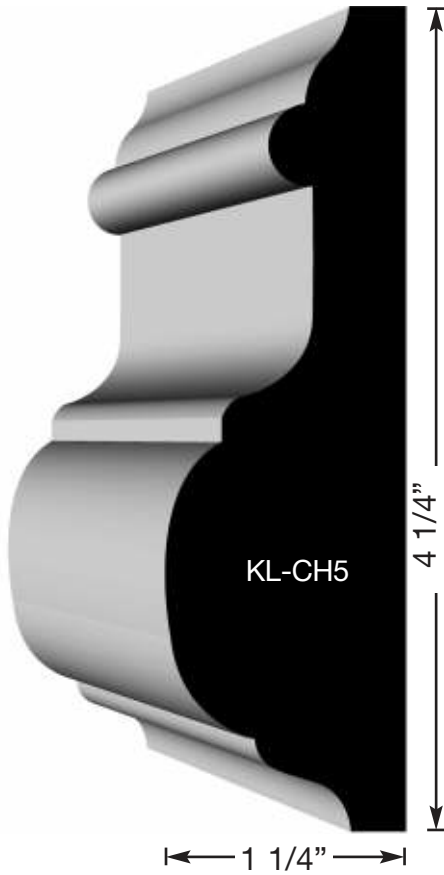
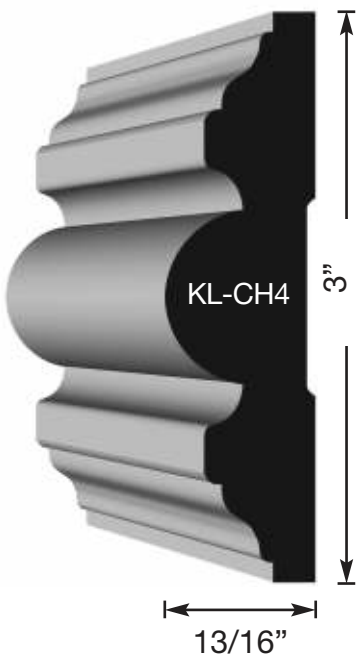
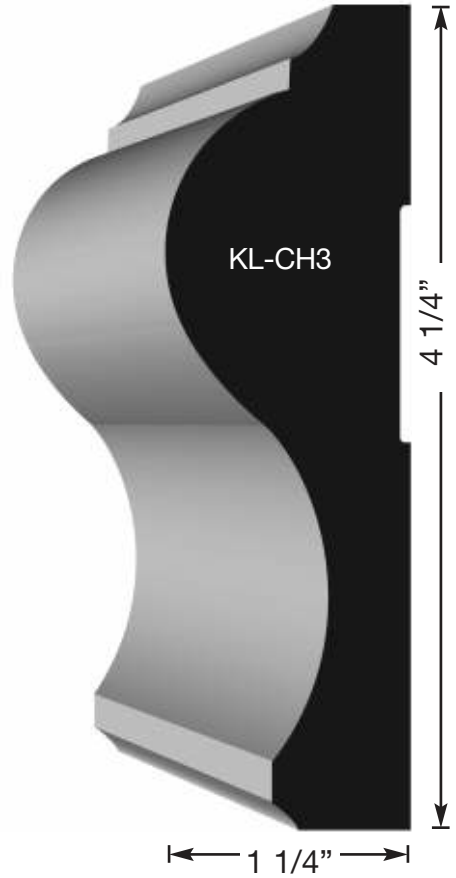
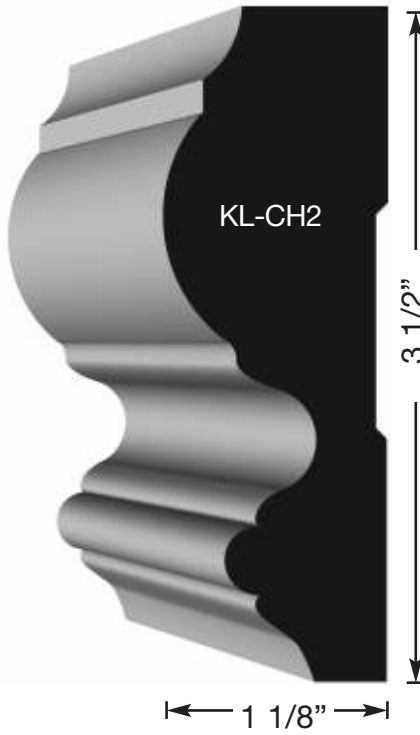
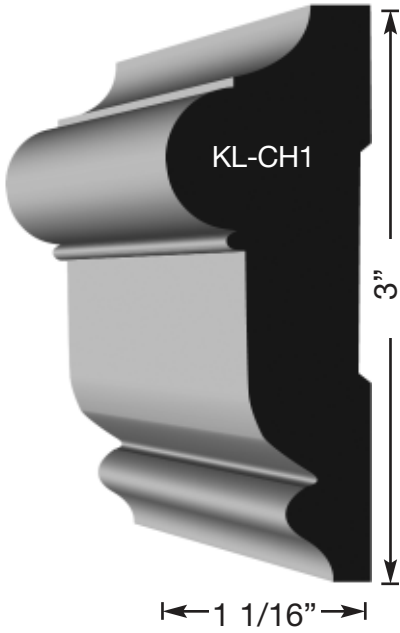


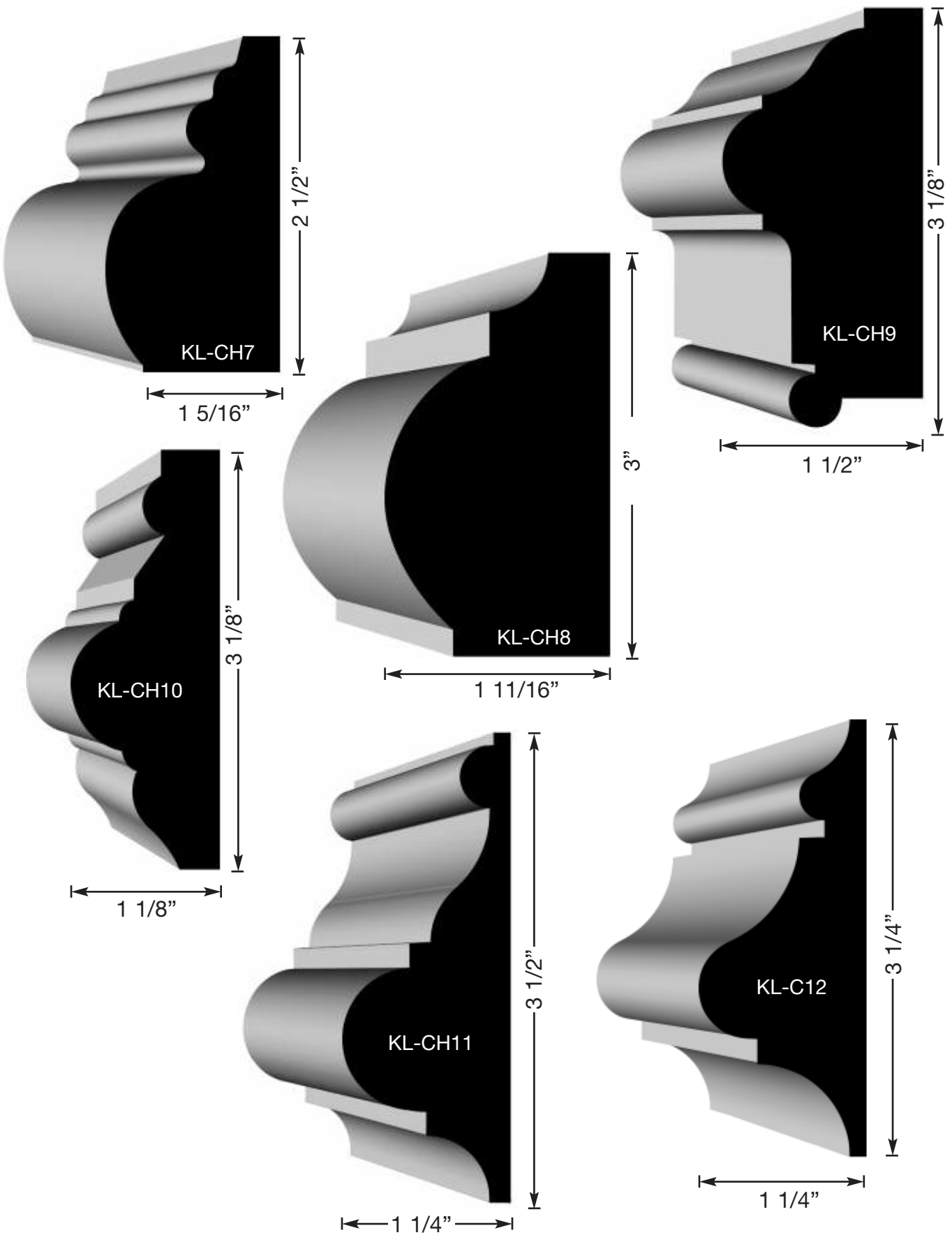
# Casing





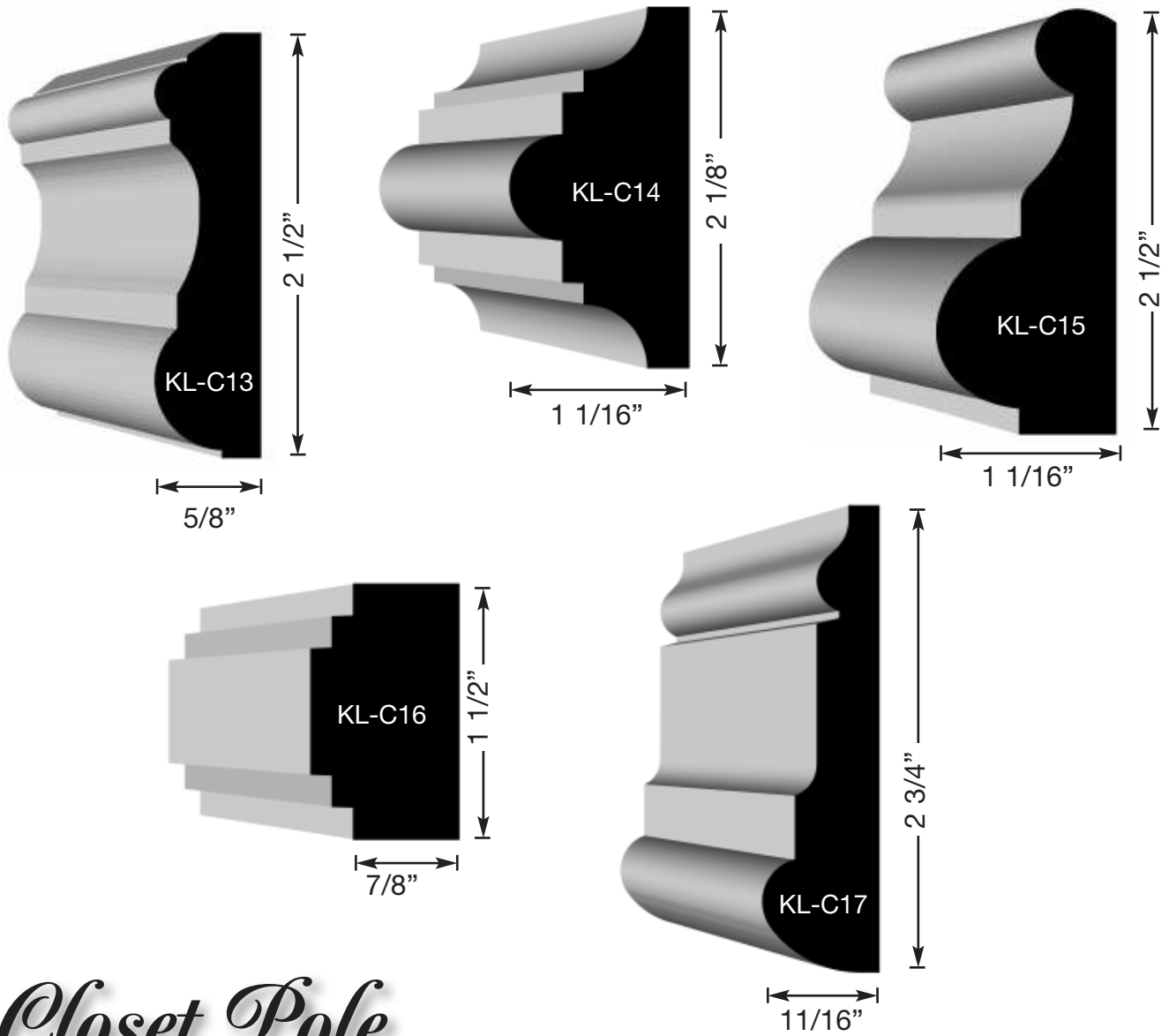
# Chair Rail





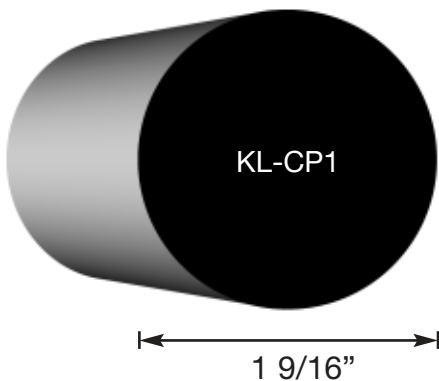
# Chair Rail

---



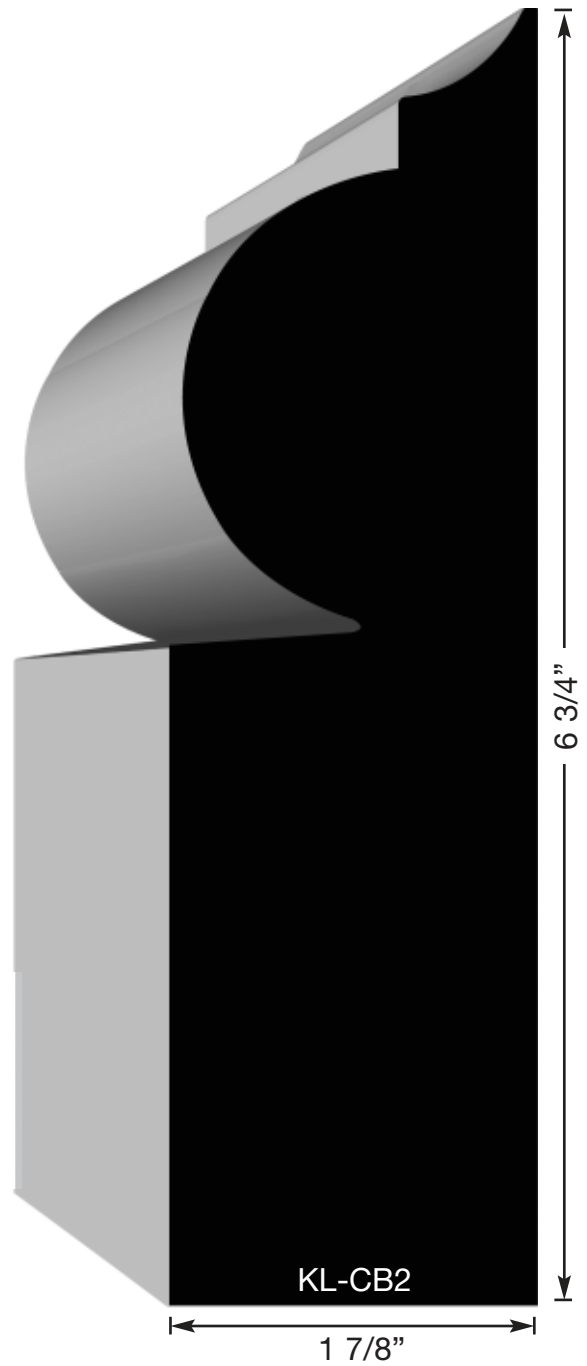
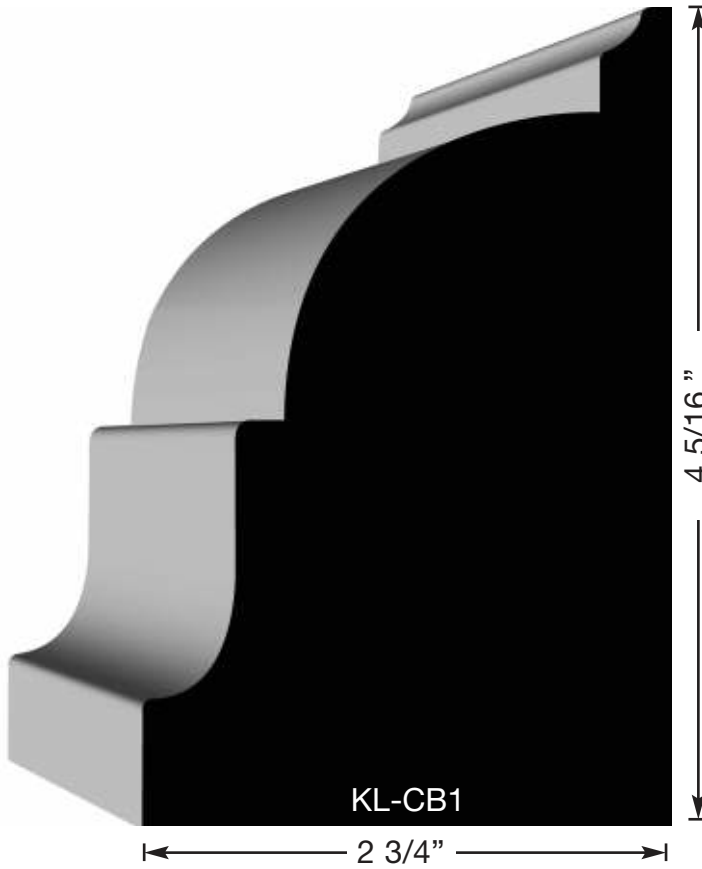
# Closet Pole

---

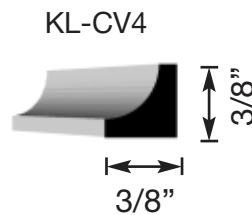
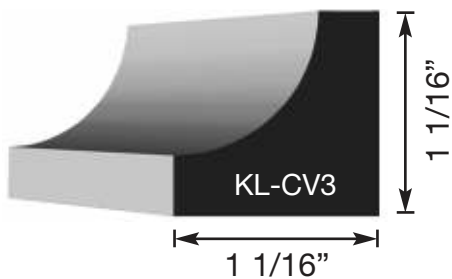
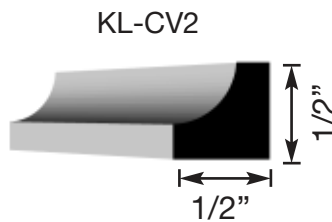
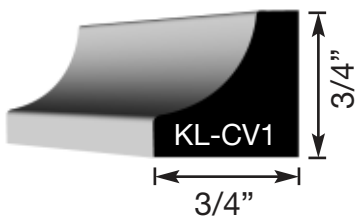




# Column Base



# Coves

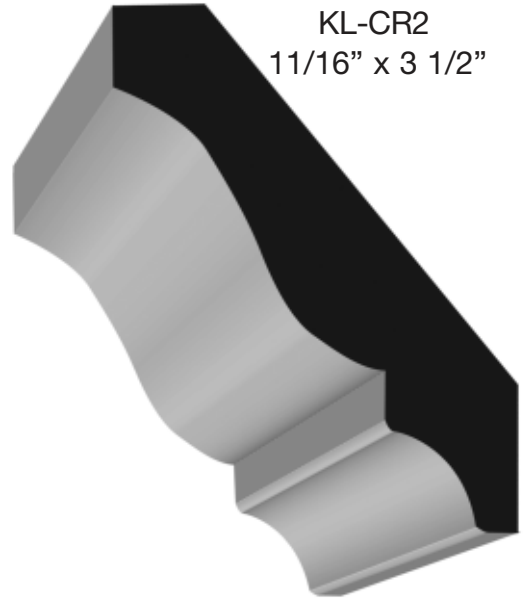


# Crown

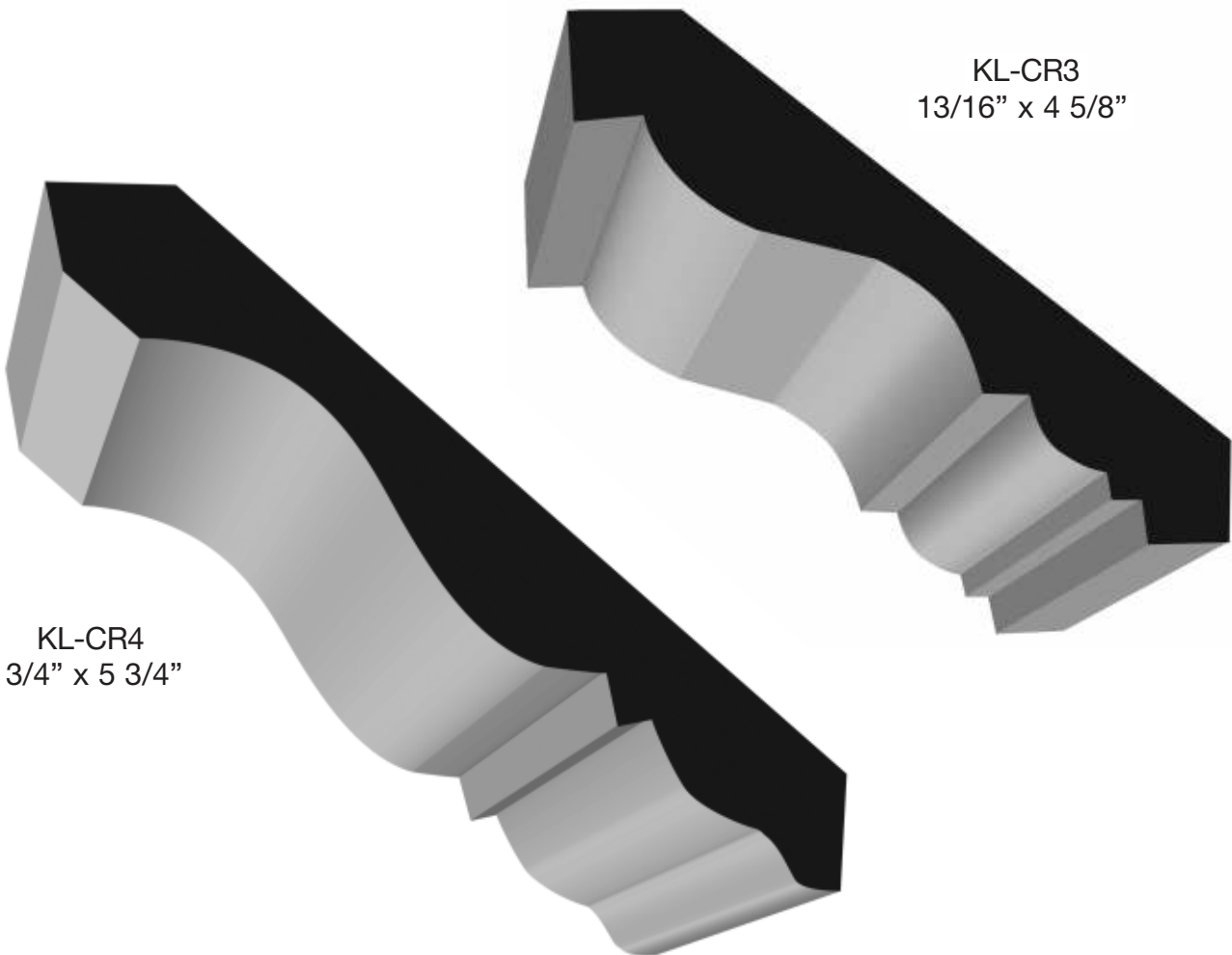
---



KL-CR1  
1 1/16" x 3 1/2"



KL-CR2  
1 1/16" x 3 1/2"



KL-CR3  
1 3/16" x 4 5/8"

KL-CR4  
3/4" x 5 3/4"

# See the difference.

Architecturally correct designs and exclusive glass options.  
Crisp, rich embossments and the look of real wood.



# Feel the difference.

Heavier construction provides excellent stability and security.  
Enhanced weather resistance helps prevent moisture penetration.  
Higher R-Values produce more energy efficiency.



# Experience the difference.

Classic-Craft® has five unique collections that offer authentic details along with an inspired blend of precision engineering to produce an entryway that performs as exceptionally as it looks.

**THERMA TRU**  
DOORS

Therma-Tru® doors are distributed through Reeb® Millwork and available through Kleet Lumber. Order yours today.

**REEB**



**BECAUSE IT'S  
EASIER TO SIZE  
THE WINDOW  
THAN RESIZE  
THE HOUSE.**

ULTREX® PULTRUDED FIBERGLASS. THE ULTREX ADVANTAGE.



**A remodel shouldn't mean a complete rebuild.** That's why Wood-Ultrex windows and doors made from our Ultrex pultruded fiberglass just make sense. Your customers get to restore toughness back into their homes with strong and durable windows that are sized to precisely what they need. Whether real wood or an Ultrex interior, each is teamed with a tough, patented acrylic finish that doesn't crack, chalk, streak or fade. All of which mean you're installing a brand that is tough, sized right and Built to Perform.

See how tough Integrity Windows really are.  
Watch videos testing the strength and durability of Ultrex  
and get your free t-shirt at [IntegrityWindows.com/Tough](http://IntegrityWindows.com/Tough).

©2012 Marvin® Windows and Doors. All rights reserved. ®Registered trademark of Marvin Windows and Doors.

 **Integrity**  
from **MARVIN**  
Windows and Doors

Built to perform:™

©2014 Marvin Windows and Doors. All rights reserved. ®Registered trademark of Marvin Windows and Doors.



HANDCRAFTED  
IN AMERICA. 

Ultimate Sliding French Door (IZ rated), Pine Interior,  
Ashley Norton Satin Nickel handle sets,  
Ultimate Casement Awning (IZ rated), Pine Interior,  
Custom windows created by Marvin Signature Services

Builder: Michael K. Walker & Associates Inc.  
Architect: Sweet Sparkman Architects

# TRUST IS A BEAUTIFUL THING.

ALMOST AS BEAUTIFUL AS OUR WINDOWS.

*Our knowledgeable dealers provide personal attention and individual solutions for each of your projects, because we know that every job counts. This level of service, combined with four generations of product innovation, and high-quality windows and doors, means peace of mind at every stage in your project. At Marvin, every detail makes a difference.*

**MARVIN**   
Windows and Doors  
Built around you.®

Experience the Marvin difference at [MARVIN.COM](http://MARVIN.COM)



**Energy Efficiency, Beauty, and Peace of Mind**

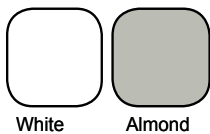
The 1650 Double-Hung Window offers superior style with traditional craftsmanship with features like beveled exterior edges and a five degree true sloped sill. This crafted style is made even stronger through advanced engineering details like steel reinforced meeting rails and multi-chamber mainframe design.

The MI Windows and Doors 1600 Series is a complete line of windows and doors designed for energy efficiency, comfort, beauty and peace of mind. 1600 Series windows are available in double-hung, slider, casement, awning, picture window and architectural shapes configurations.

The 1650 window is now available with an optional Paintable/Stainable interior finish and multiple laminate finishes to complement any room.

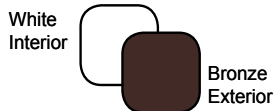
**See your local experts at Kleet Lumber to learn more today**

**Color Options**



White Almond

**Optional Exterior Laminate**



Actual colors may vary.

**Optional Interior Woodgrains**



Natural Oak Hillside Oak Colonial Cherry



Paintable/Stainable Pine



(Paintable/Stainable)

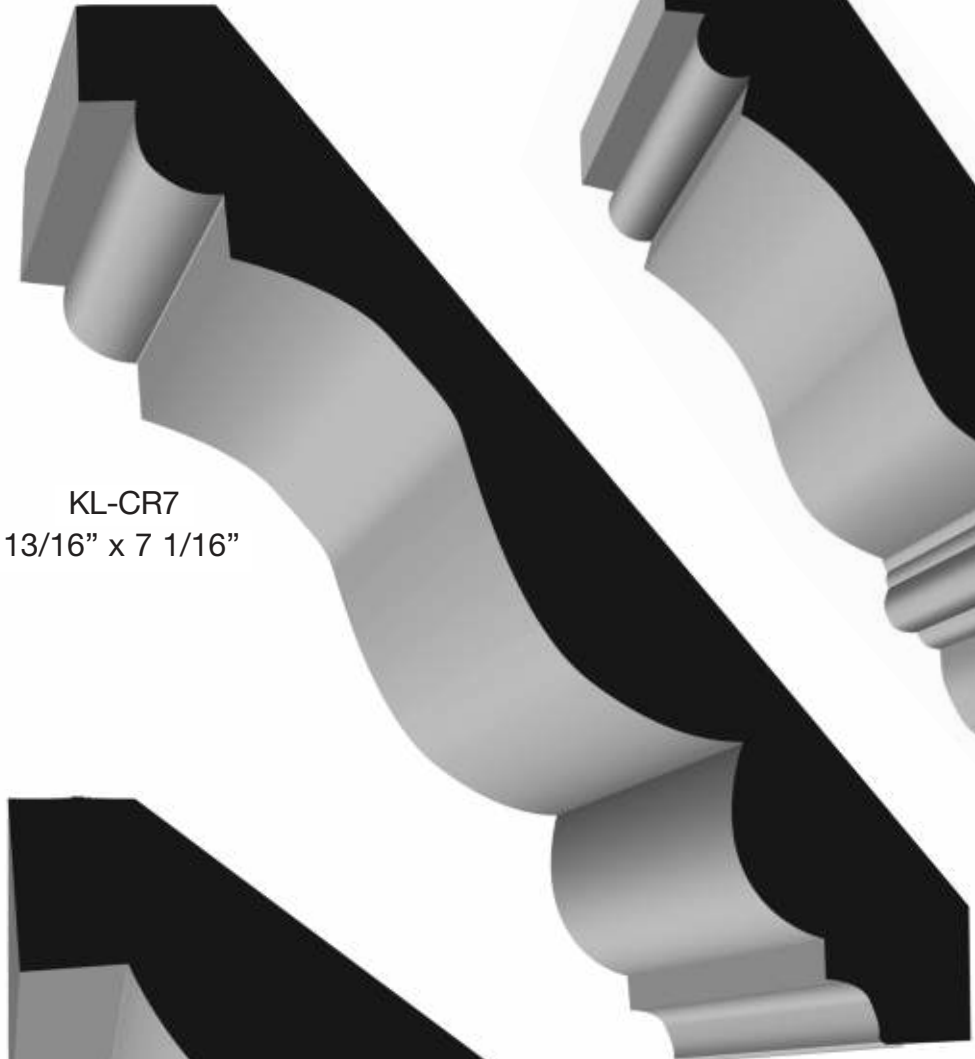
*Paintable/Stainable*

- Allows homeowner to paint or stain the interior to match existing trim
- Real look of wood without the maintenance
- Will not rot or warp like wood
- Thermal and structural ratings of vinyl
- Available with white exterior
- Available with Paintable / Stainable SDL grid on interior and White SDL grid on exterior
- Available in finless or slide in mounting fin

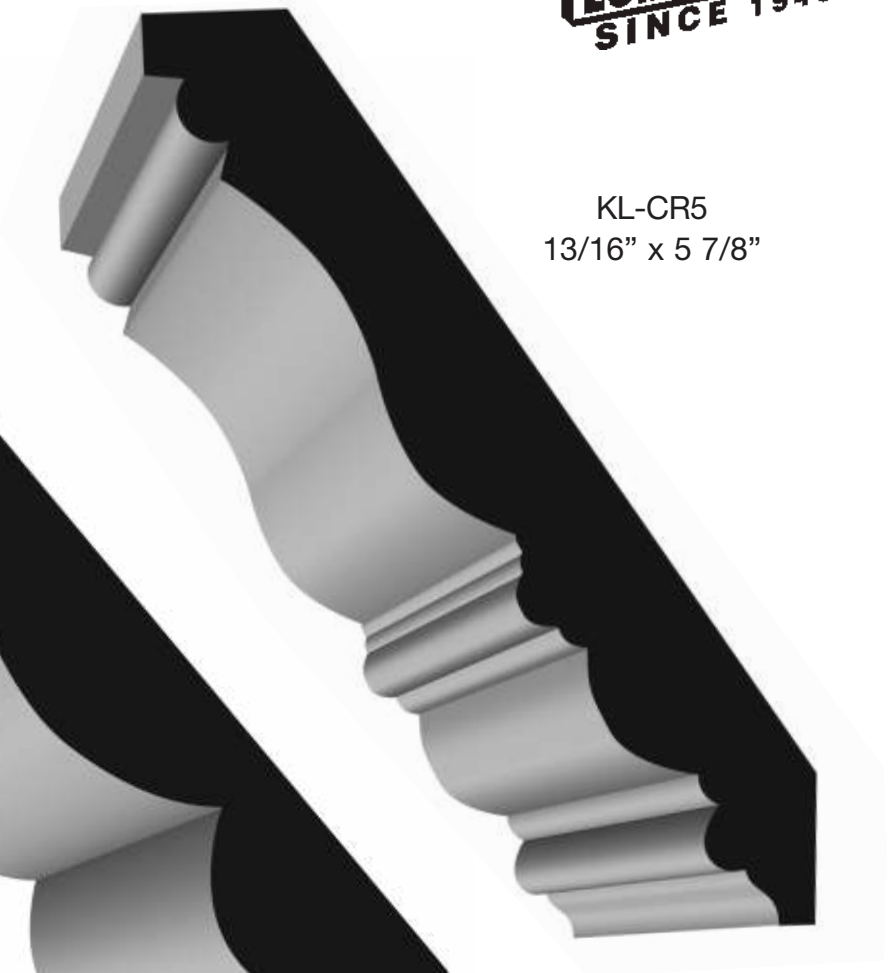


Hours:  
Monday–Friday: 7am–5pm  
Saturday: 7am–2pm

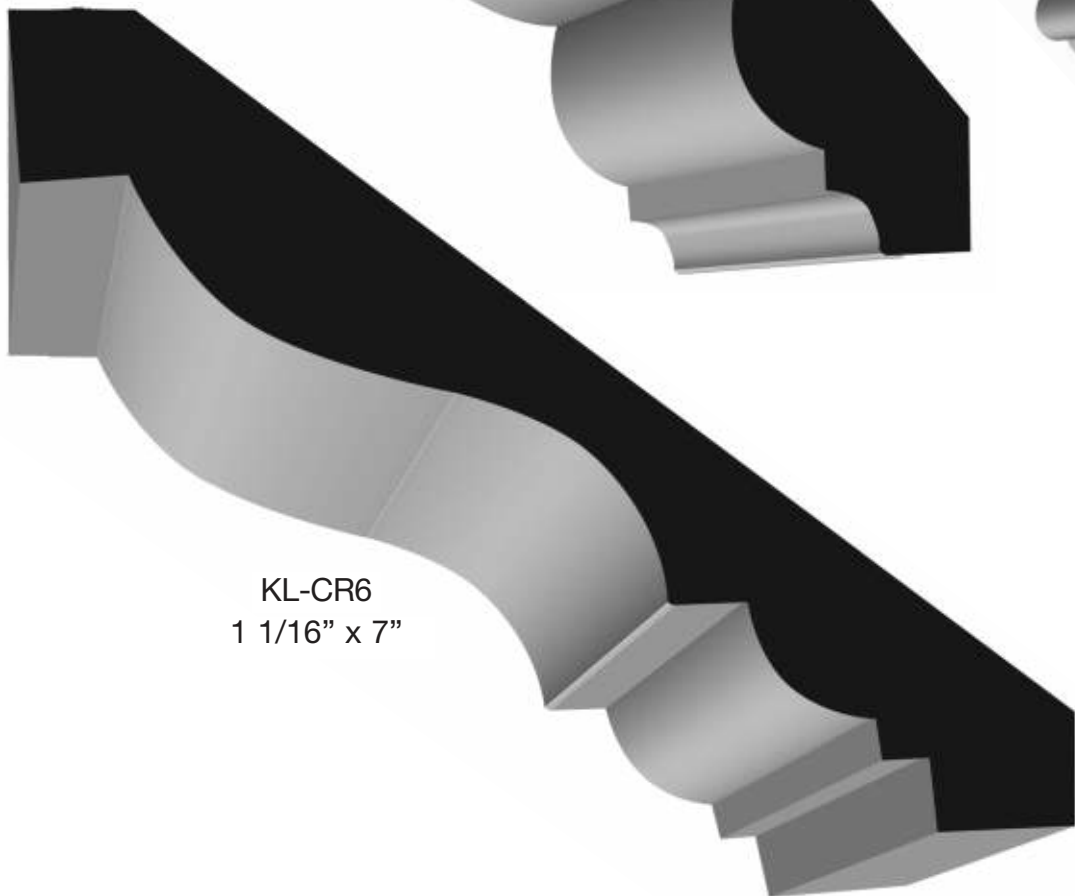
777 Park Ave., Huntington, NY  
631-427-7060



KL-CR7  
13/16" x 7 1/16"



KL-CR5  
13/16" x 5 7/8"

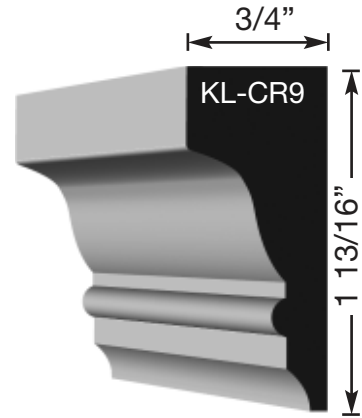


KL-CR6  
1 1/16" x 7"

# Crown



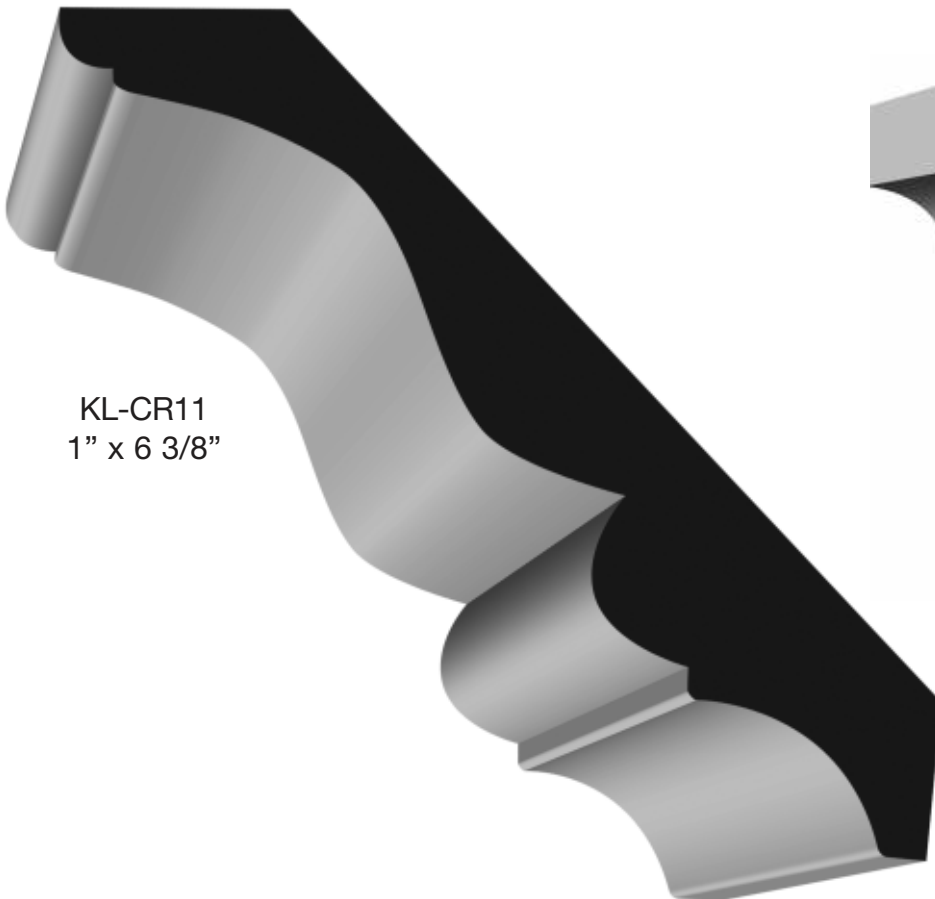
KL-CR8  
3/4" x 4 3/4"



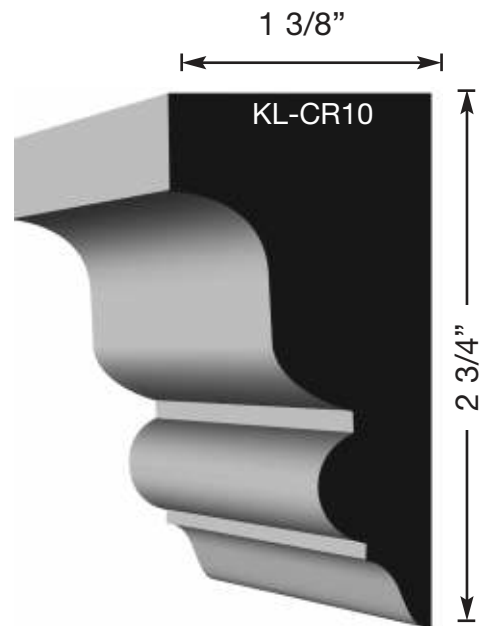
3/4"

KL-CR9

1 13/16"



KL-CR11  
1" x 6 3/8"

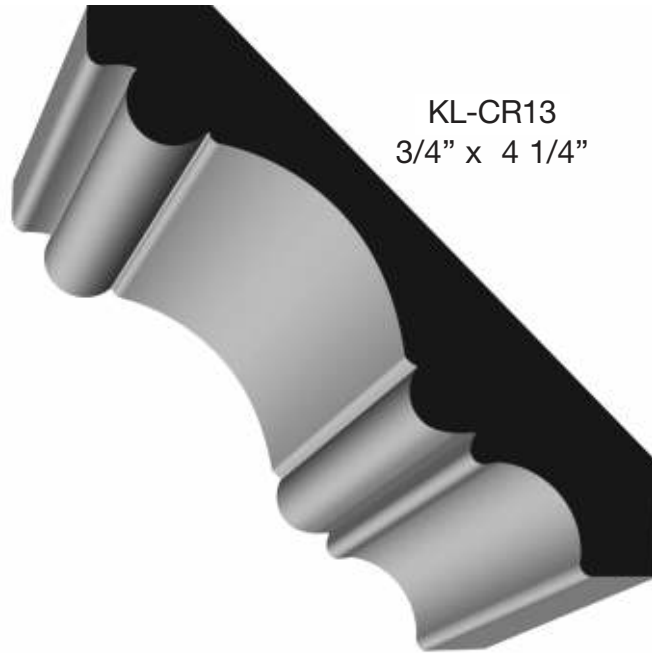


1 3/8"

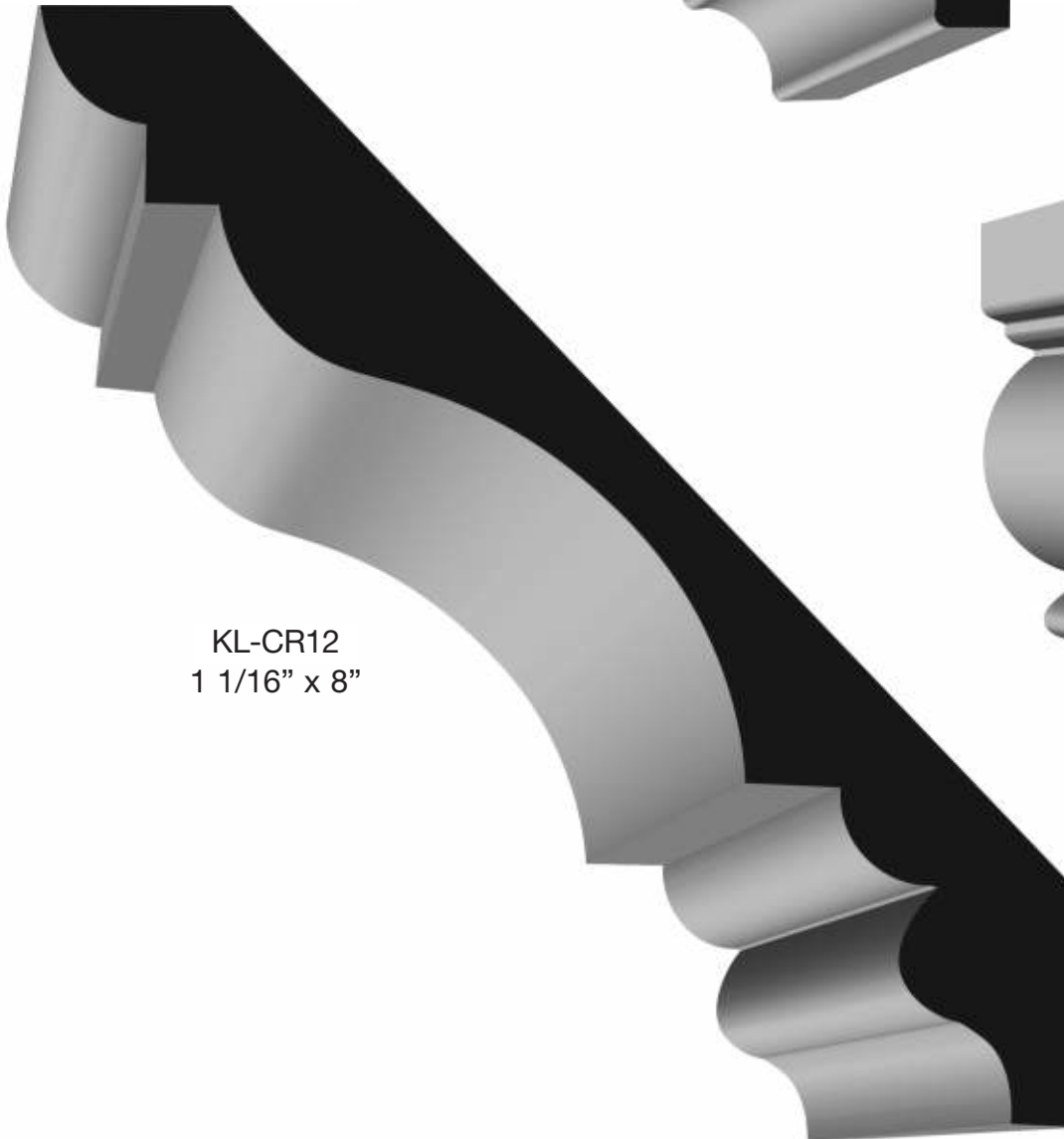
KL-CR10

2 3/4"

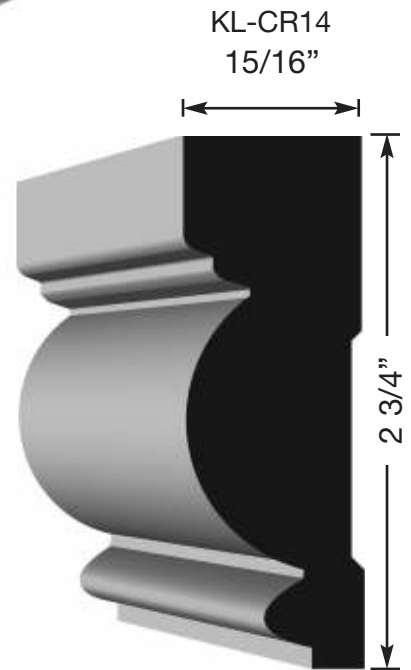




KL-CR13  
3/4" x 4 1/4"



KL-CR12  
1 1/16" x 8"



KL-CR14  
15/16"

2 3/4"

# Crown

---

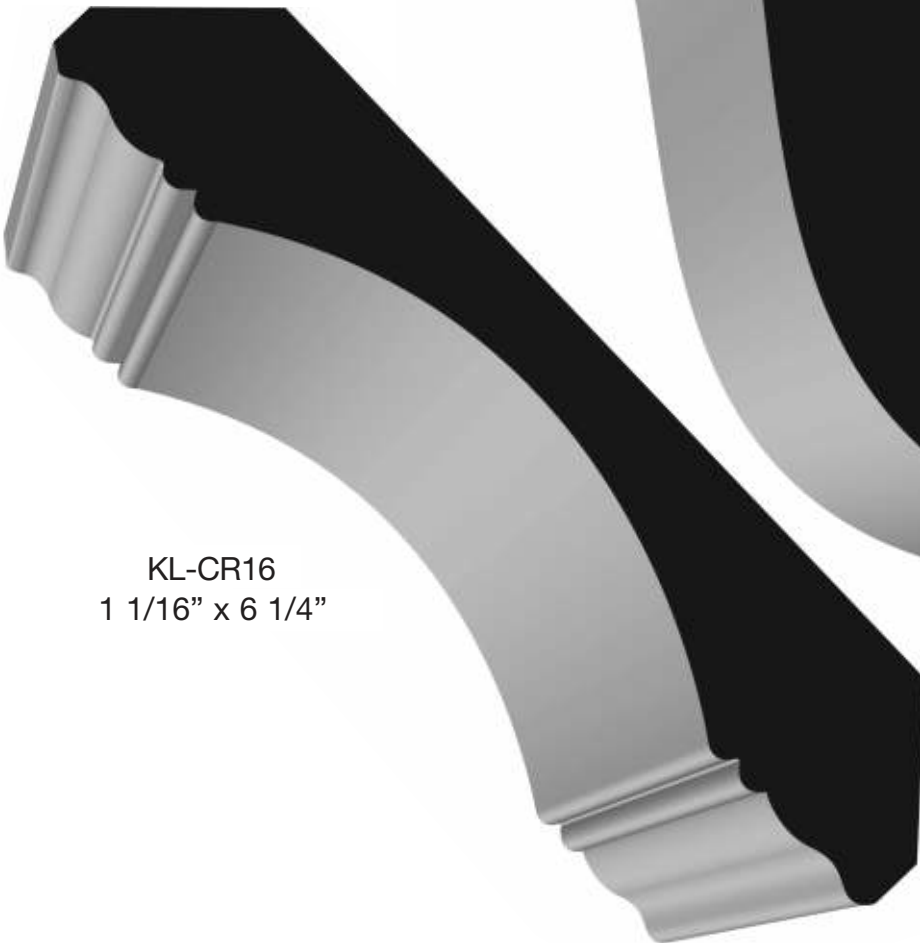
KL-CR15  
1 1/16" x 5 1/4"

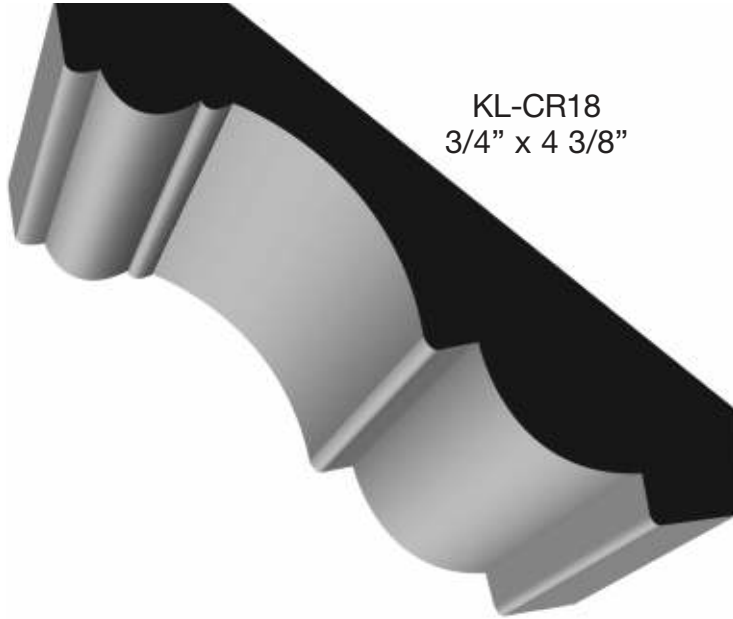


KL-CR17  
1 3/4" x 8 11/16"

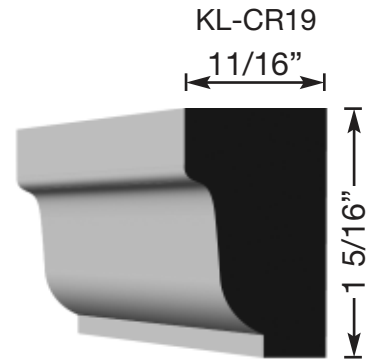


KL-CR16  
1 1/16" x 6 1/4"





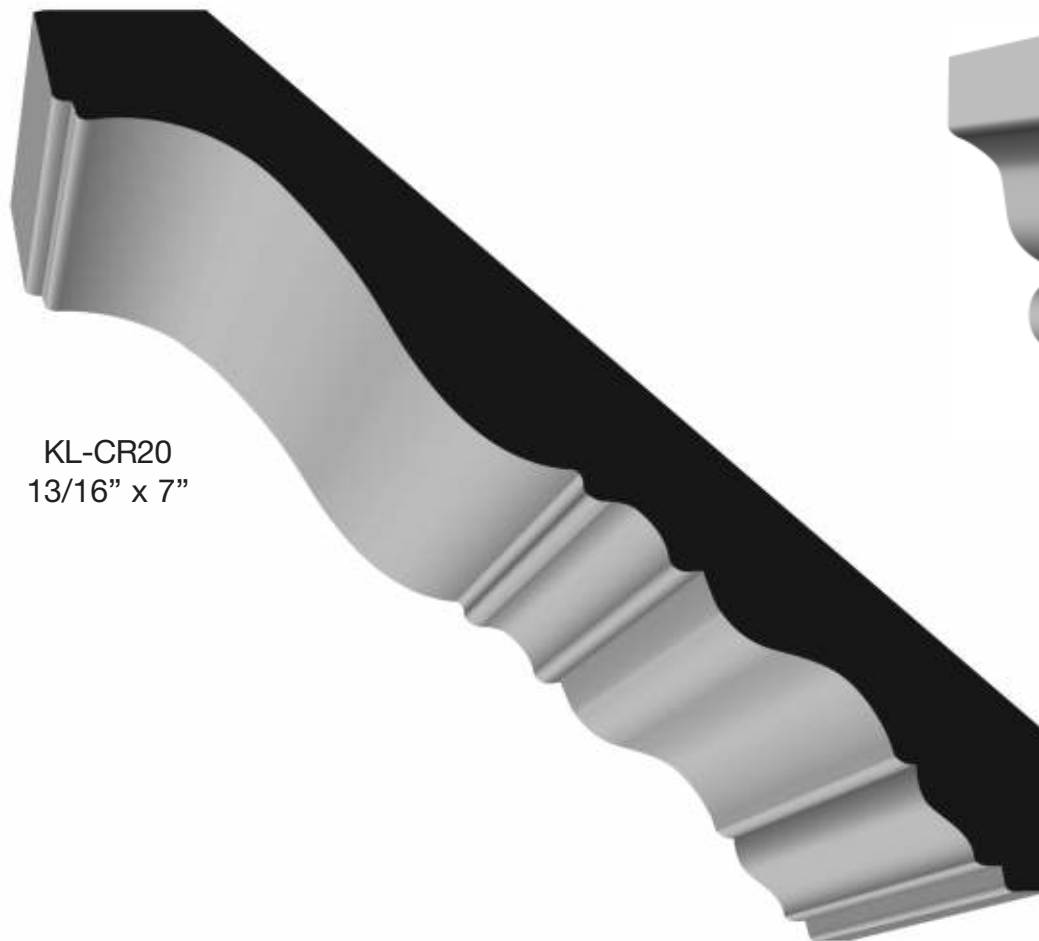
KL-CR18  
3/4" x 4 3/8"



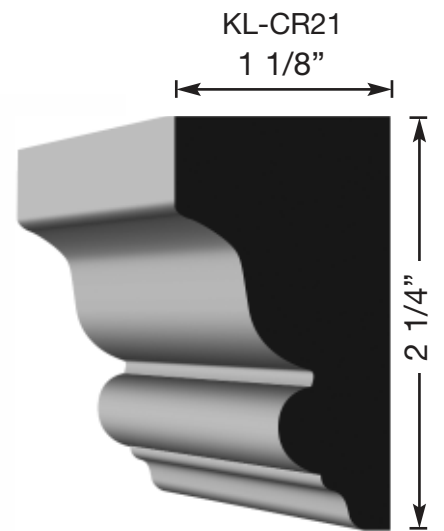
KL-CR19

1 1/16"

1 5/16"



KL-CR20  
13/16" x 7"



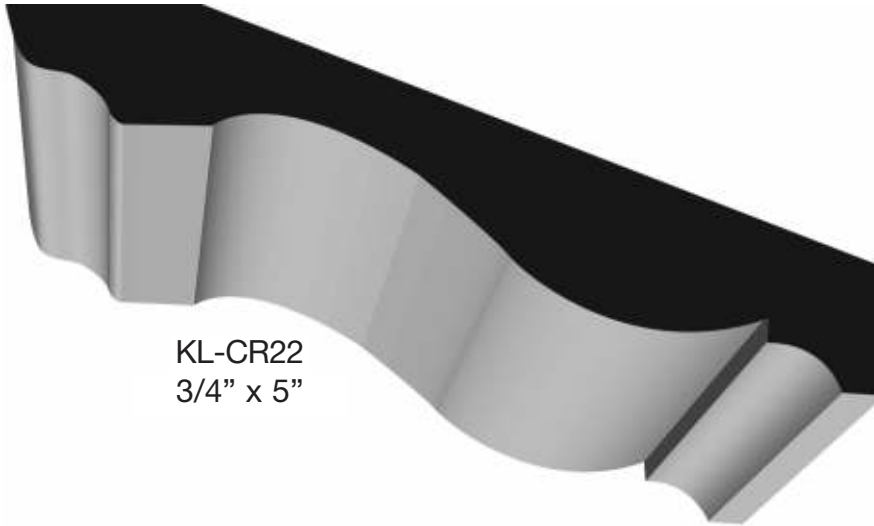
KL-CR21

1 1/8"

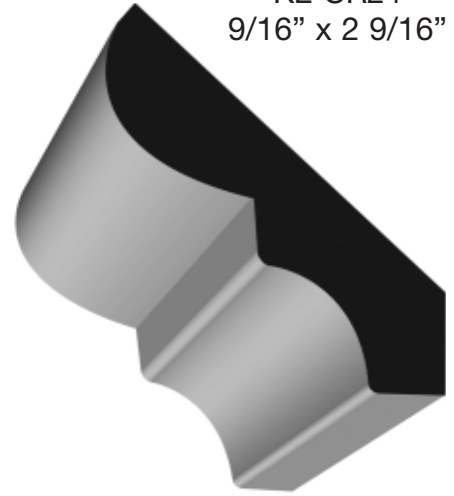
2 1/4"

# Crown

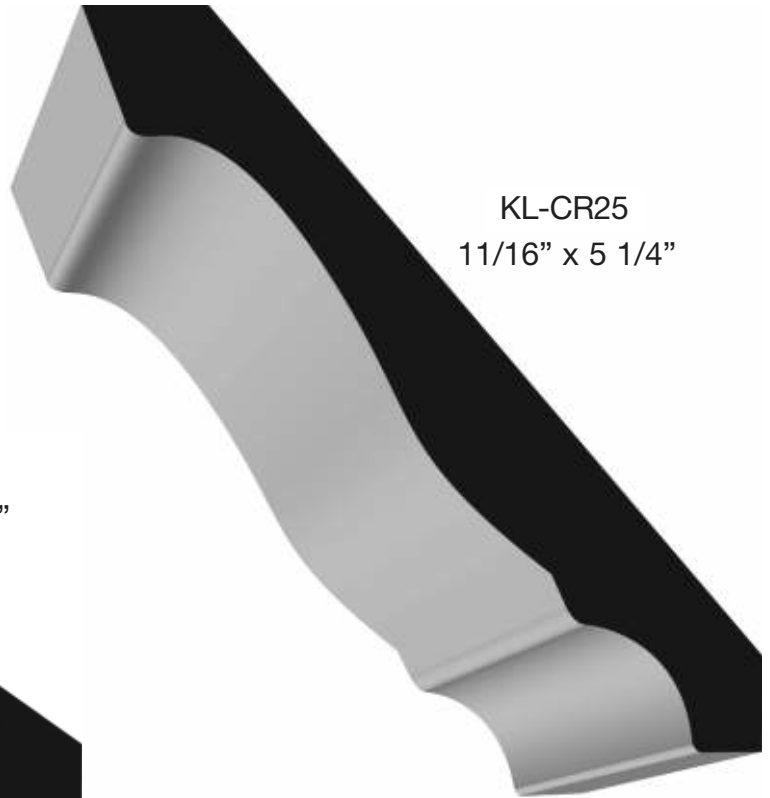
---



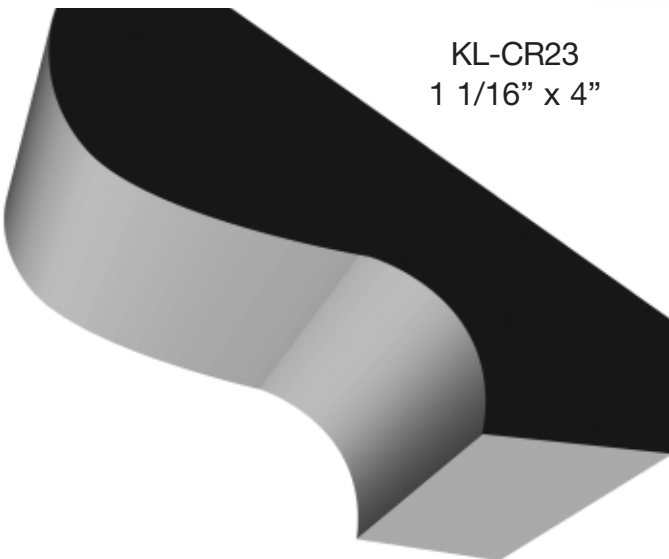
KL-CR22  
3/4" x 5"



KL-CR24  
9/16" x 2 9/16"



KL-CR25  
11/16" x 5 1/4"



KL-CR23  
1 1/16" x 4"

KL-CR27  
13/16" x 5 5/8"



KL-CR26  
11/16" x 4 1/4"



KL-CR29  
3/4" x 4 1/2"




KL-CR28  
3/4" x 3 1/2"



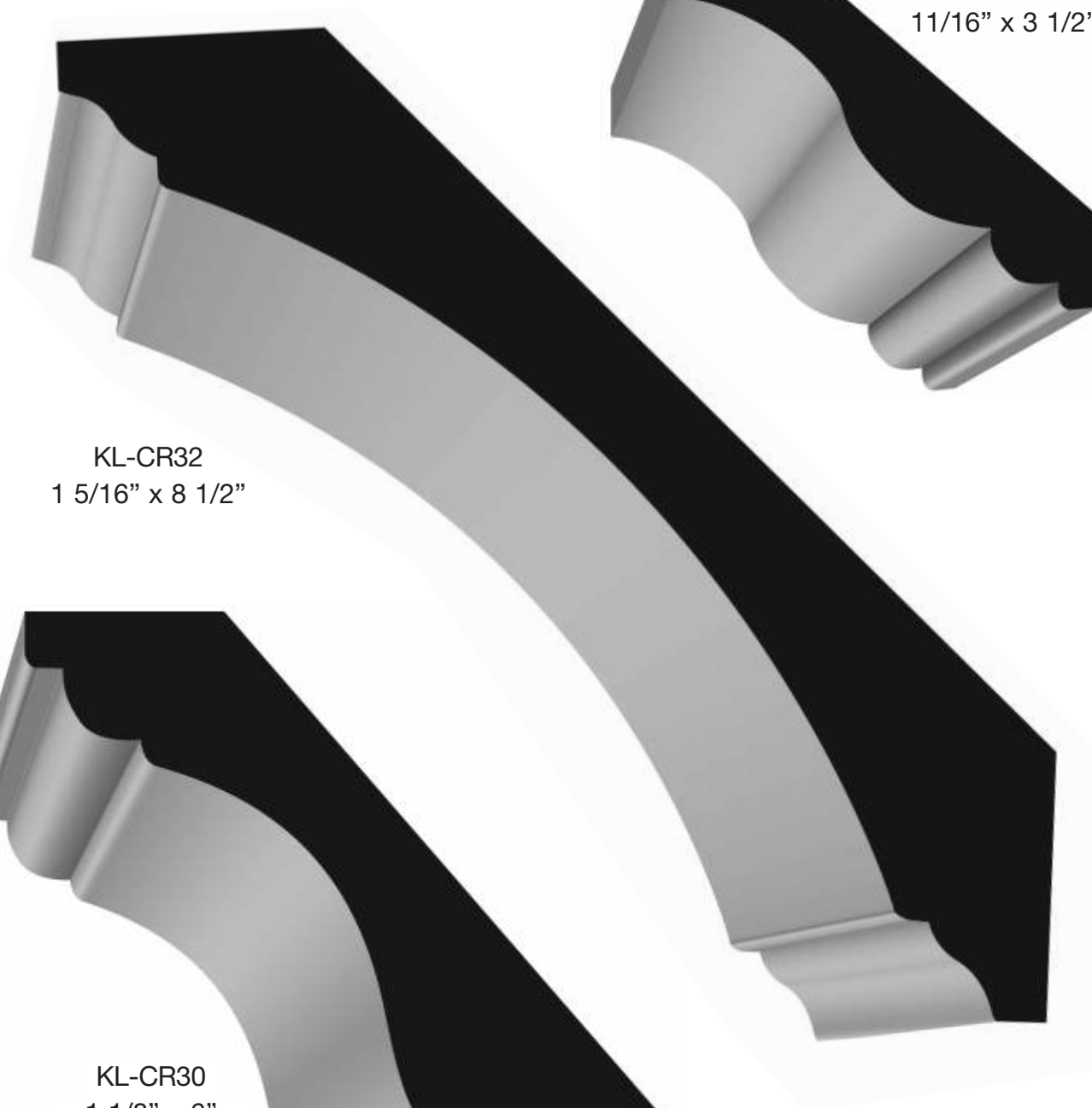
# Crown

---




KL-CR31  
1 1/16" x 3 1/2"

A 3D rendering of a crown molding piece, model KL-CR31. The molding has a decorative, multi-tiered profile with a curved top edge and a flared base. It is shown in a perspective view against a white background.



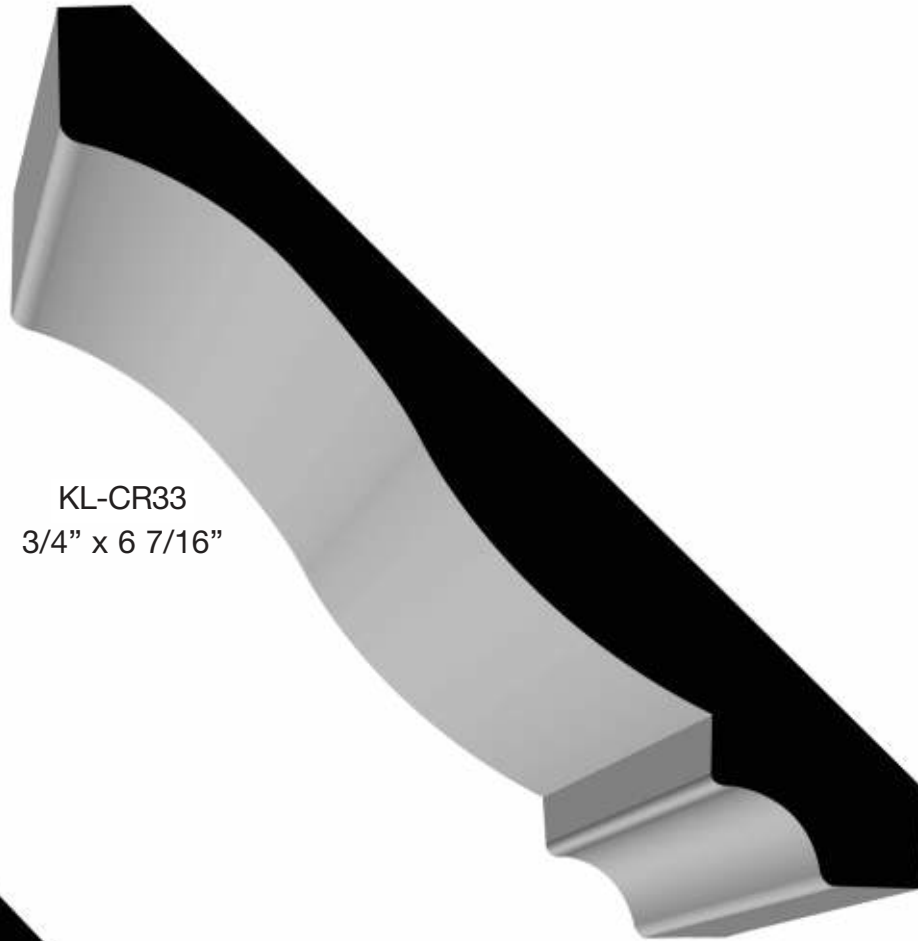
KL-CR32  
1 5/16" x 8 1/2"

A 3D rendering of a crown molding piece, model KL-CR32. This is a long, curved section of the molding, showing its profile from a perspective view. It features a decorative, multi-tiered design with a curved top and a flared base.



KL-CR30  
1 1/8" x 6"

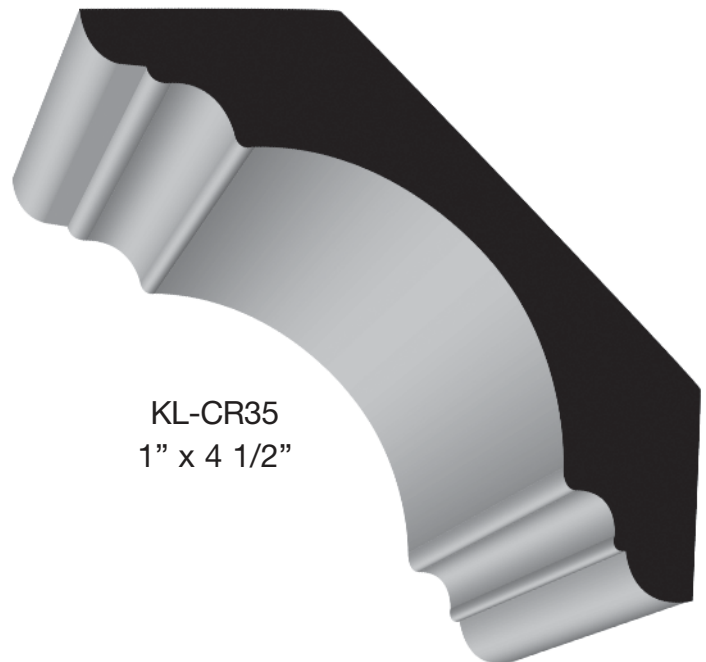
A 3D rendering of a crown molding piece, model KL-CR30. This is a shorter, curved section of the molding, showing its profile from a perspective view. It features a decorative, multi-tiered design with a curved top and a flared base.



KL-CR33  
3/4" x 6 7/16"



KL-CR34  
13/16" x 2 7/8"



KL-CR35  
1" x 4 1/2"

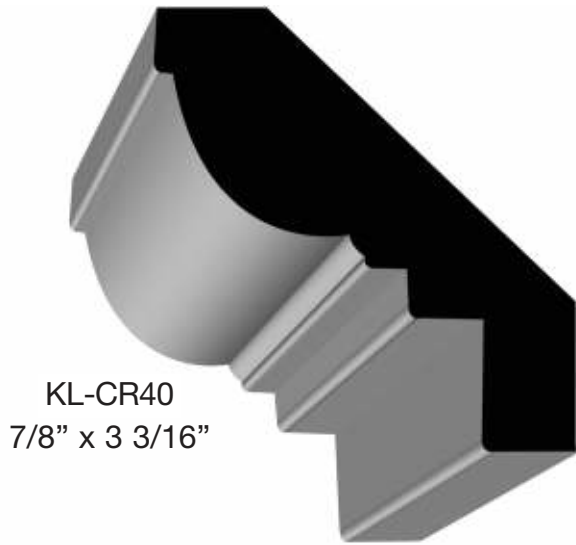
KL-CR39  
1 3/16" x 3 3/8"

KL-CR38  
1 3/16" x 5 13/16"

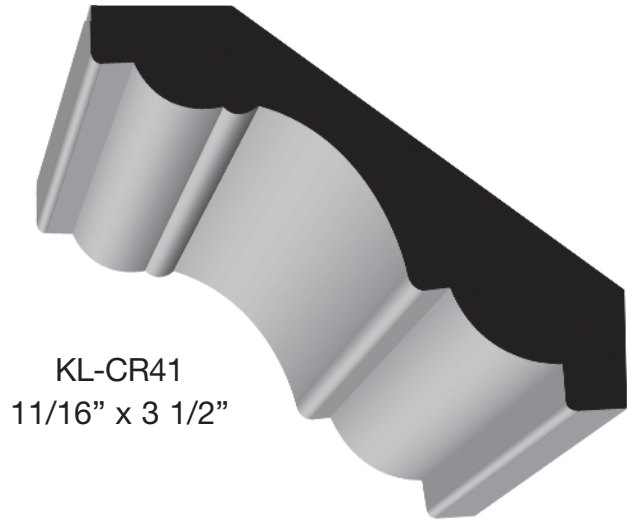
KL-CR36  
1" x 8 1/2"

KL-CR37  
15/16" x 3 3/8"

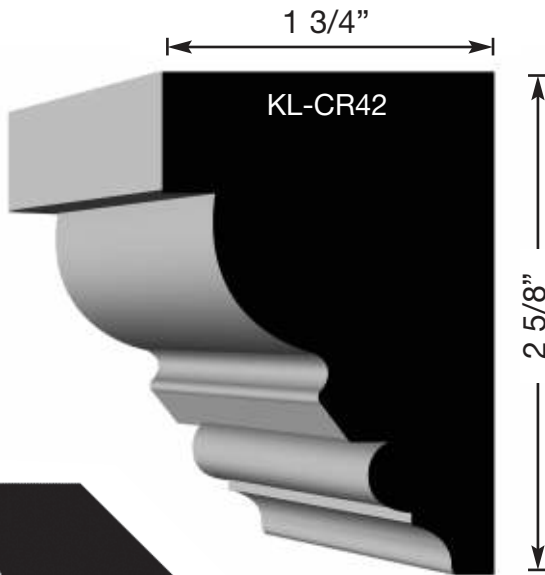




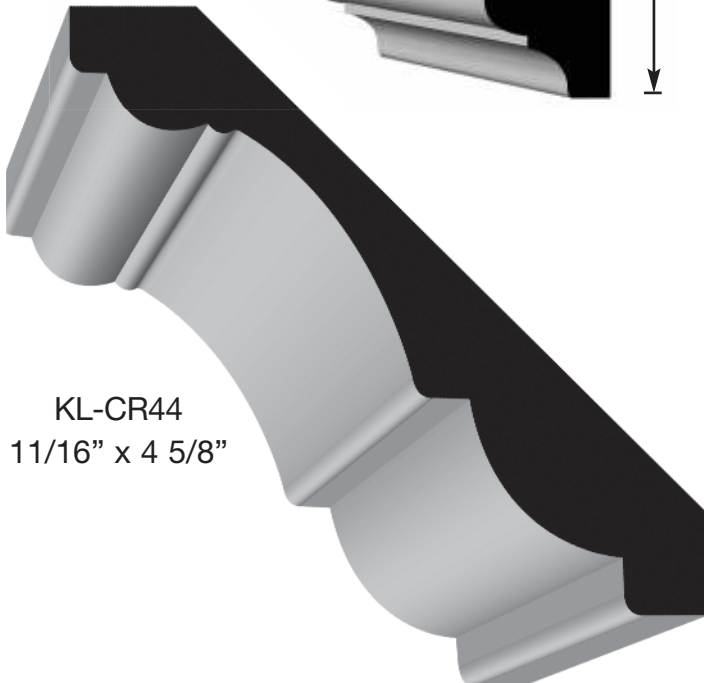
KL-CR40  
7/8" x 3 3/16"



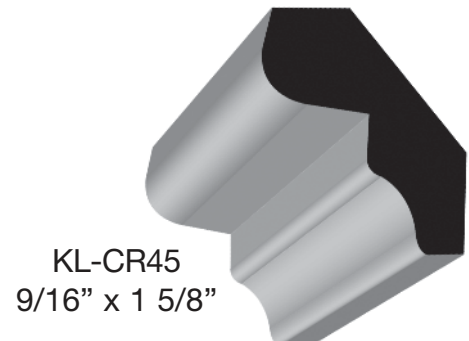
KL-CR41  
11/16" x 3 1/2"



KL-CR43  
11/16" x 3 3/4"

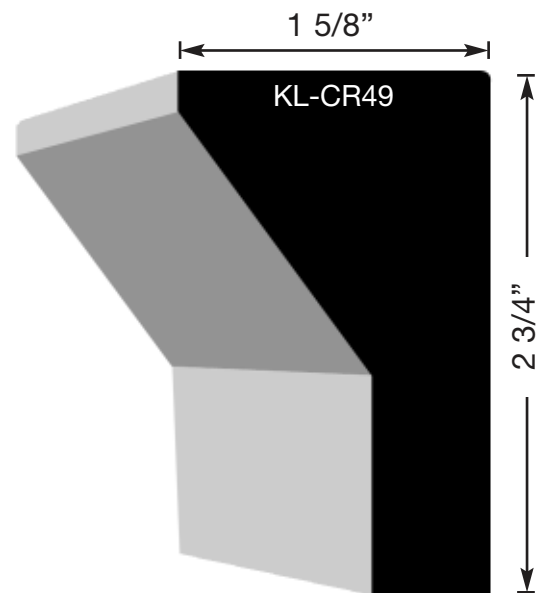
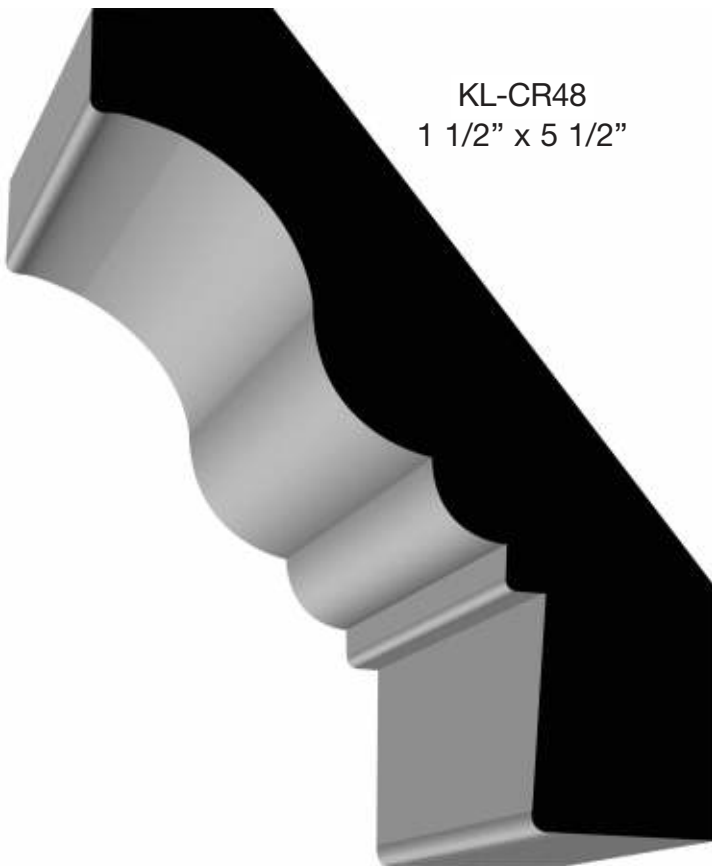
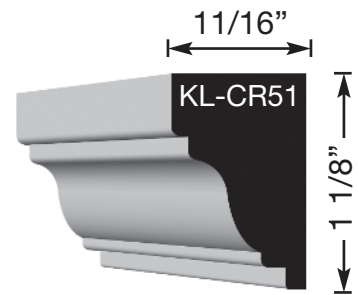
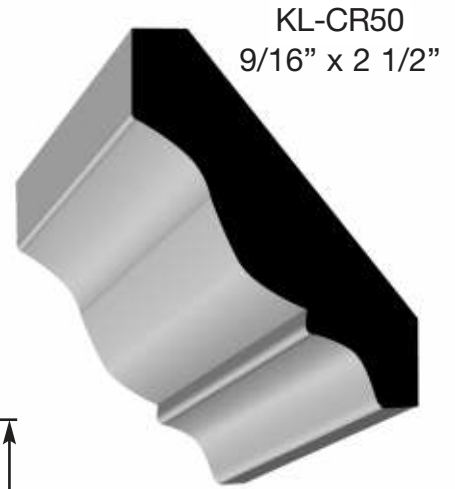
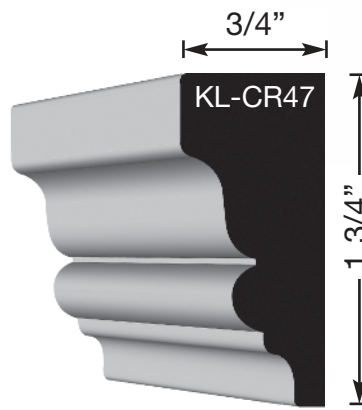
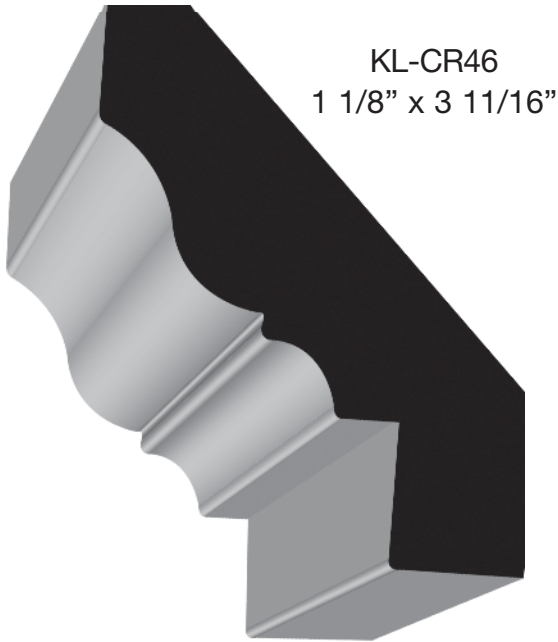


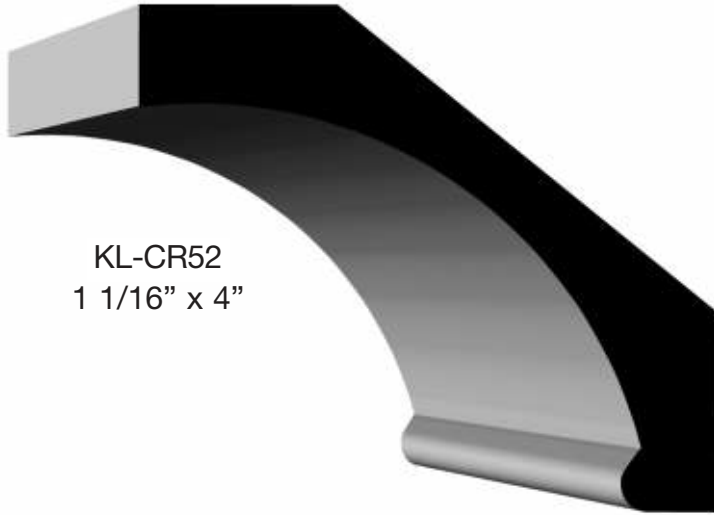
KL-CR44  
11/16" x 4 5/8"



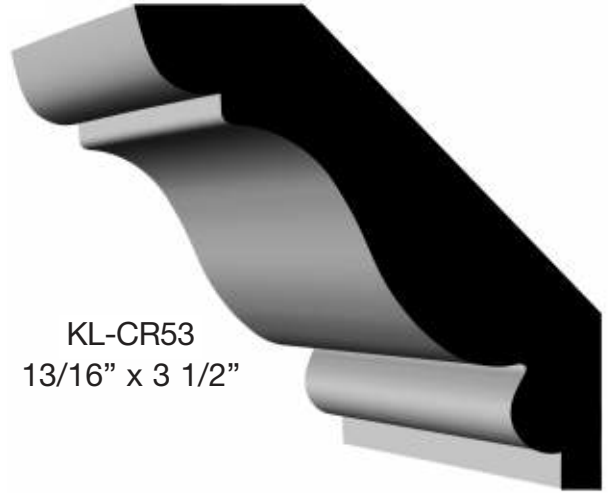
KL-CR45  
9/16" x 1 5/8"

# Crown

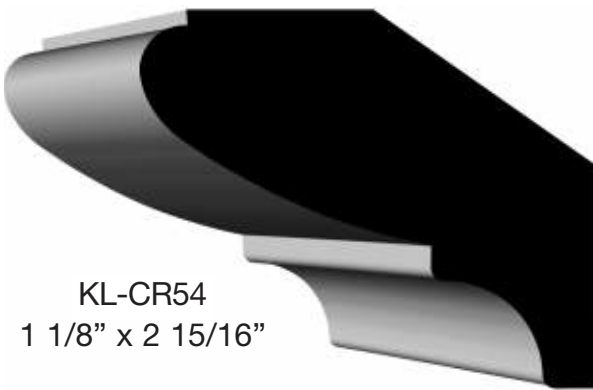




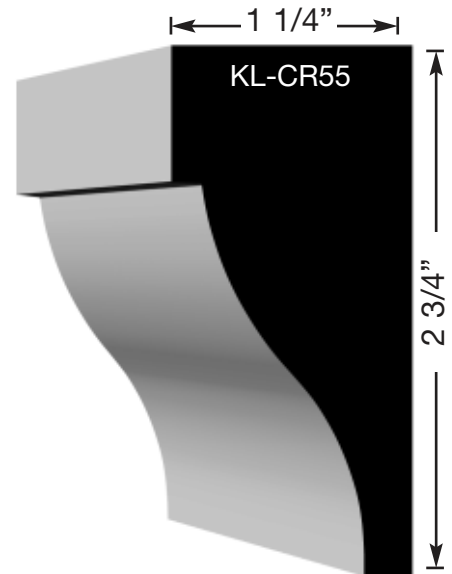
KL-CR52  
1 1/16" x 4"



KL-CR53  
13/16" x 3 1/2"



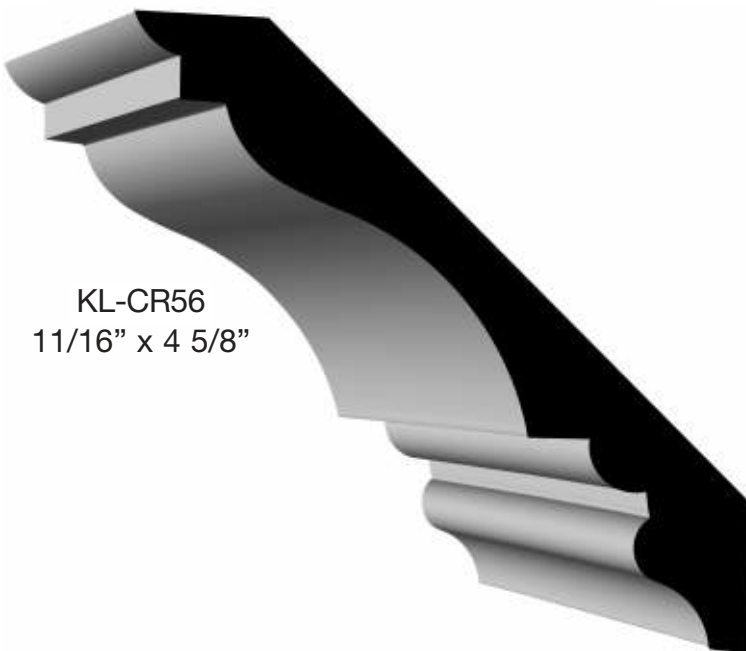
KL-CR54  
1 1/8" x 2 15/16"



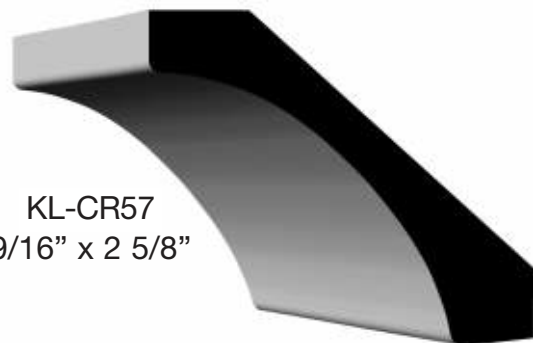
KL-CR55

1 1/4"

2 3/4"



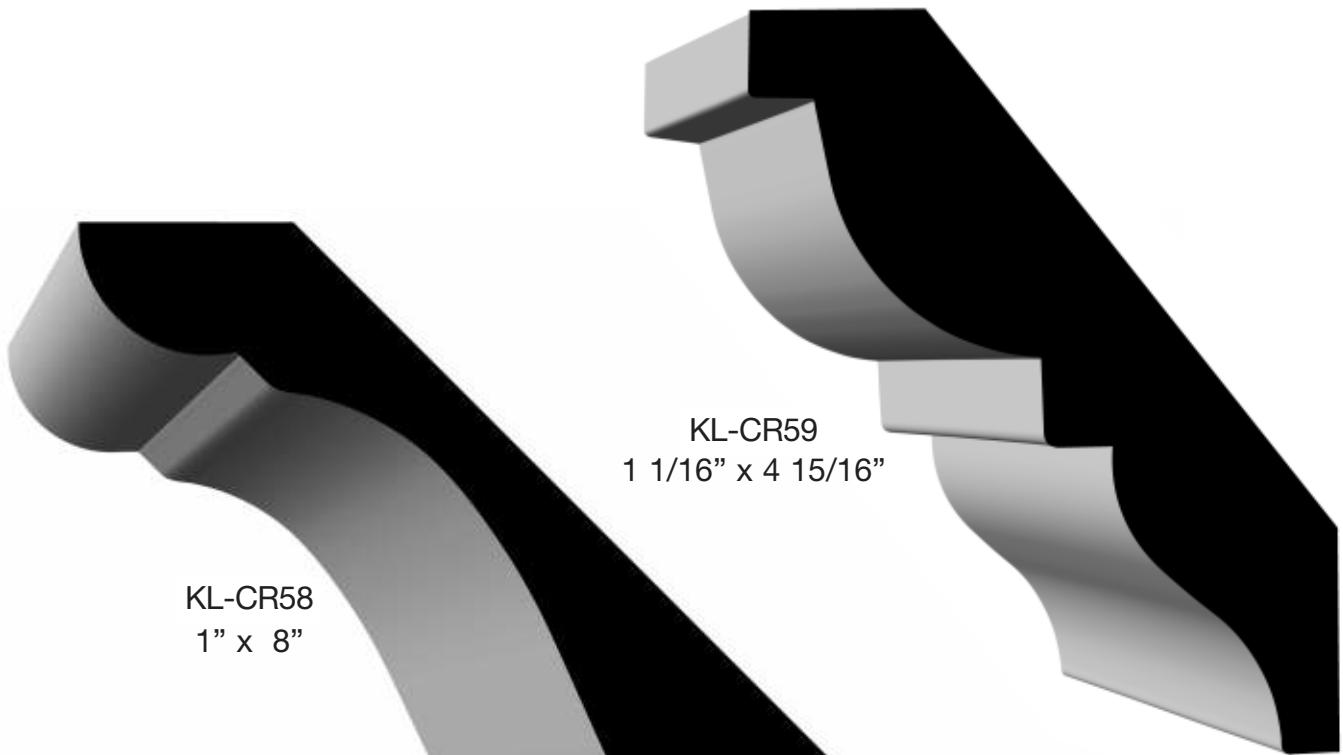
KL-CR56  
11/16" x 4 5/8"



KL-CR57  
9/16" x 2 5/8"

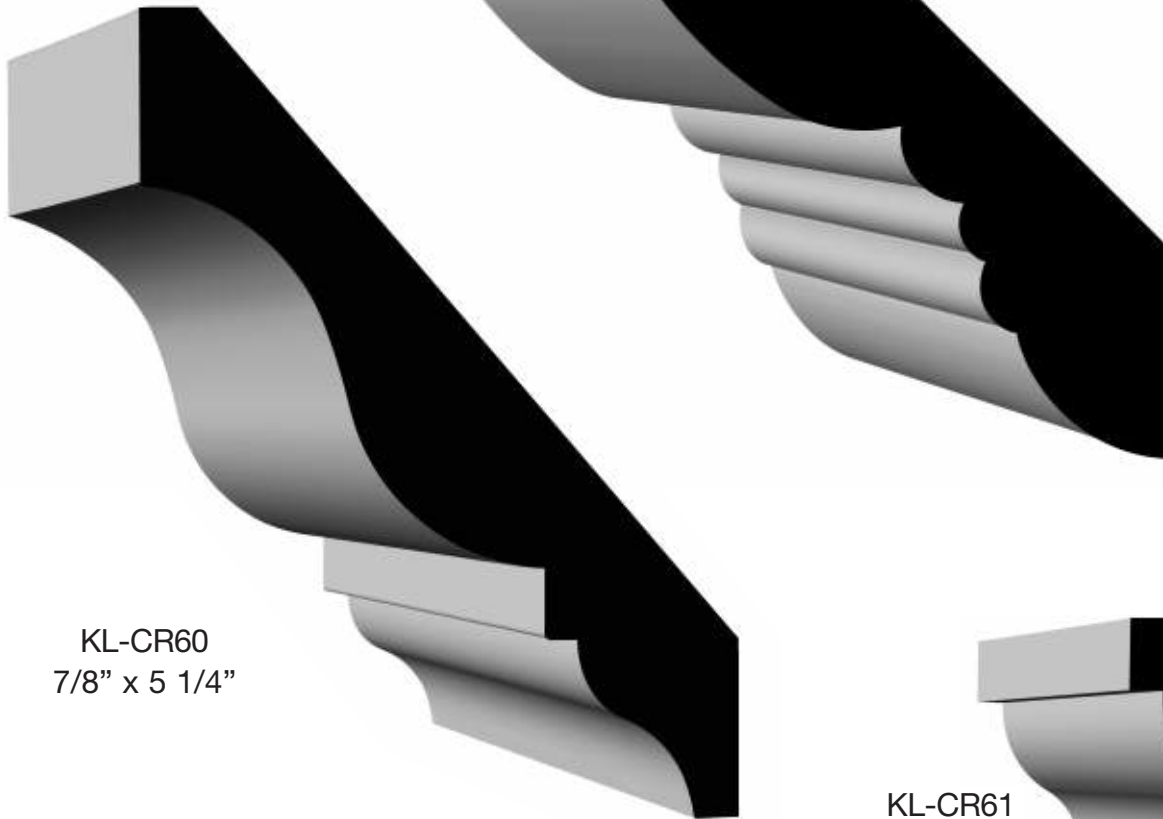
# Crown

---

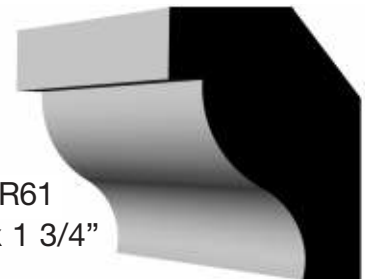


KL-CR58  
1" x 8"

KL-CR59  
1 1/16" x 4 15/16"



KL-CR60  
7/8" x 5 1/4"

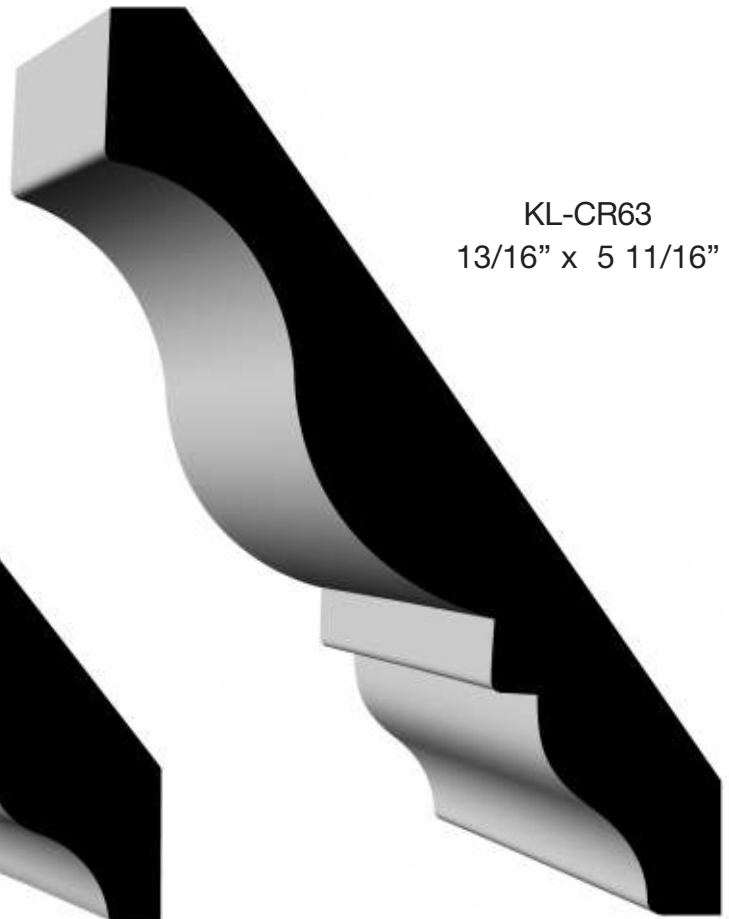


KL-CR61  
13/16" x 1 3/4"

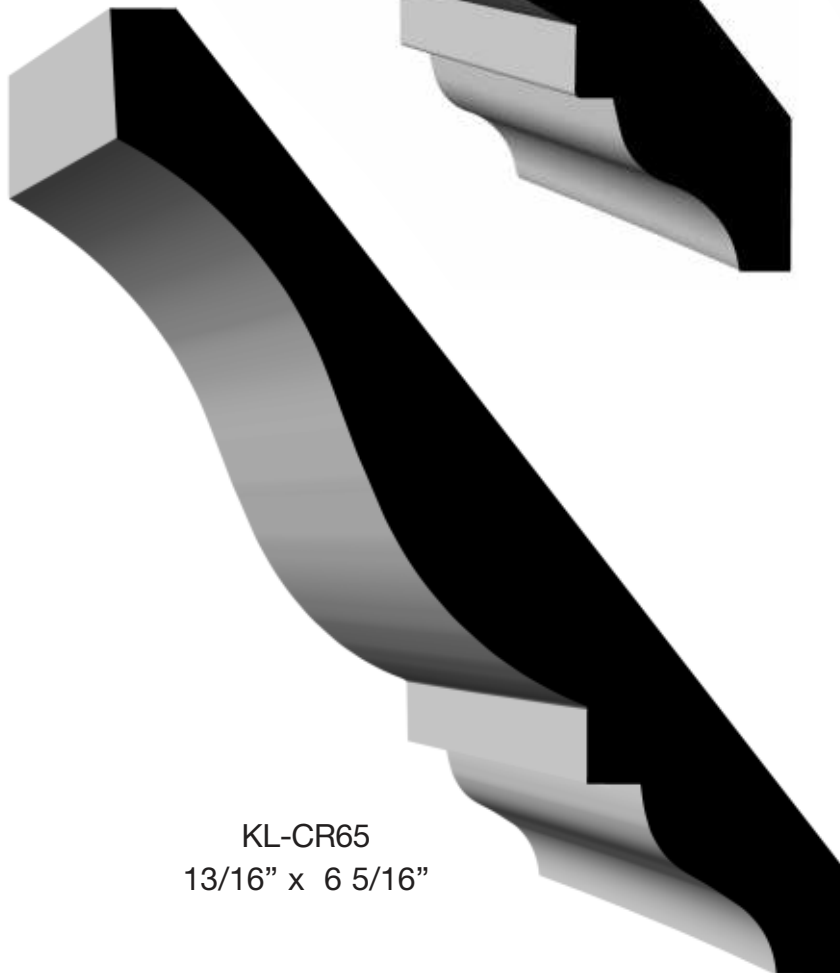
KL-CR62  
13/16" x 5 7/8"



KL-CR63  
13/16" x 5 11/16"



KL-CR65  
13/16" x 6 5/16"

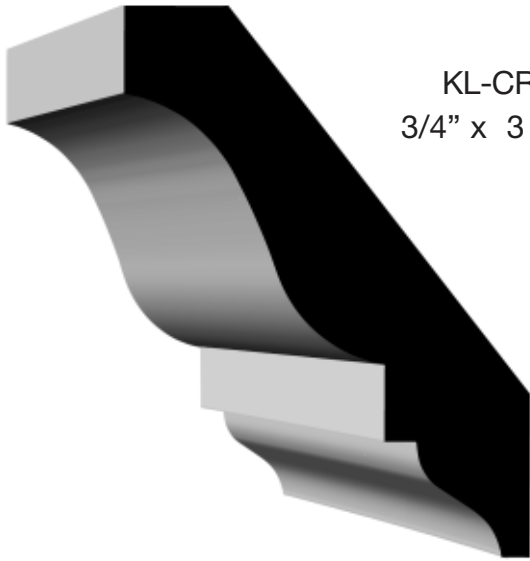


KL-CR64  
11/16" x 1 15/16"

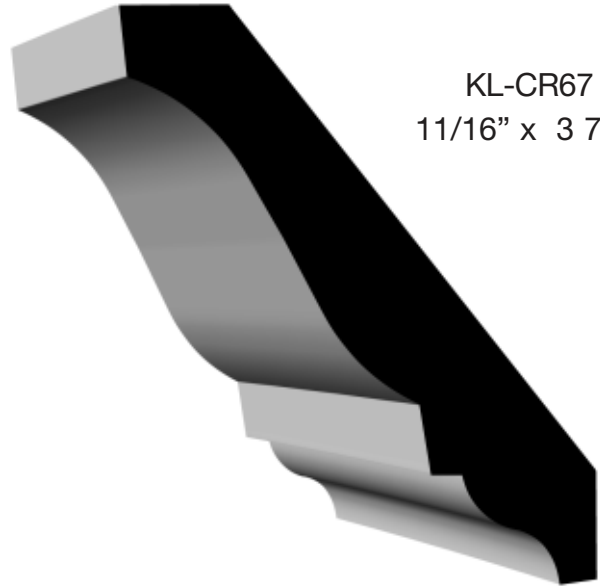


# Crown

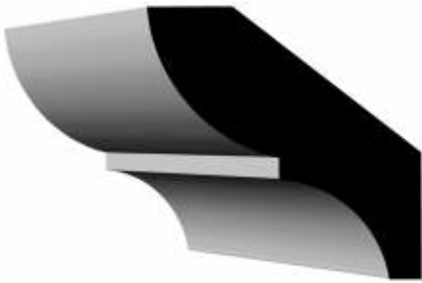
---



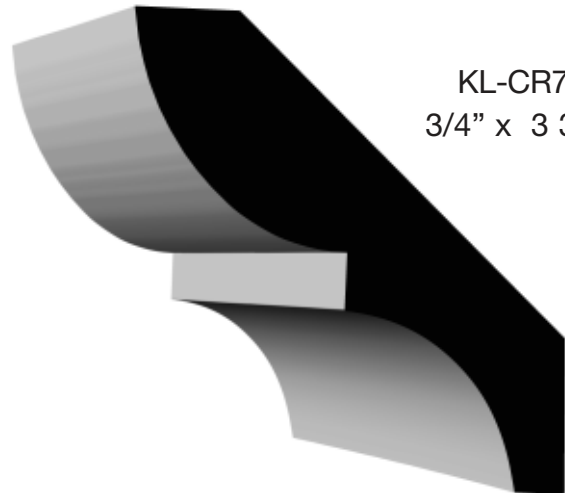
KL-CR66  
3/4" x 3 9/16"



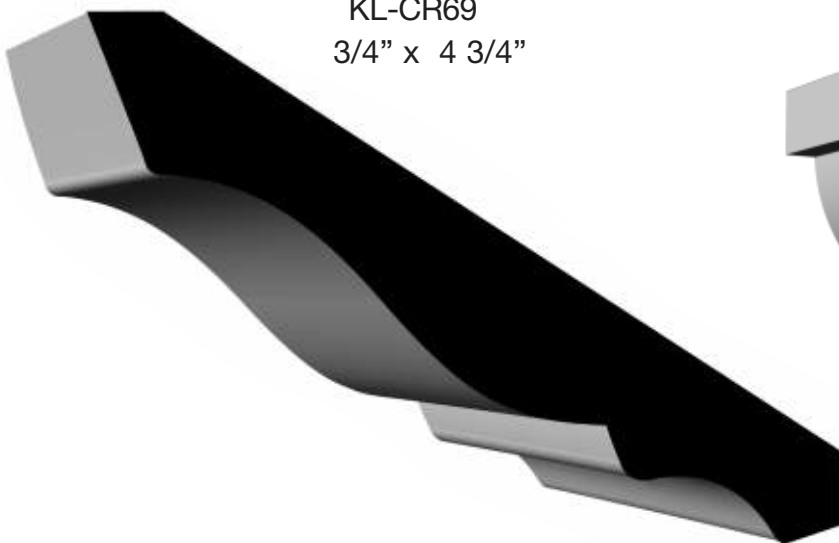
KL-CR67  
11/16" x 3 7/8"



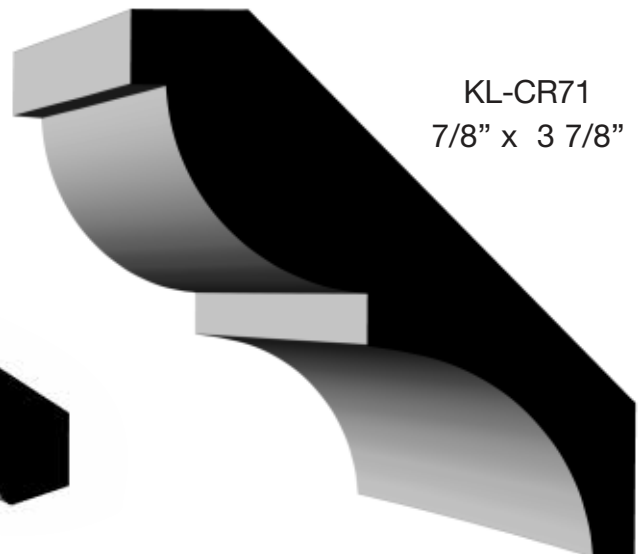
KL-CR68  
5/8" x 2"



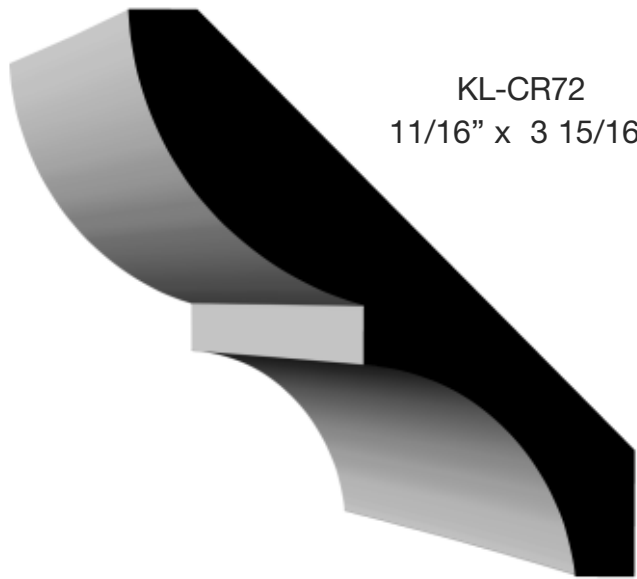
KL-CR70  
3/4" x 3 3/8"



KL-CR69  
3/4" x 4 3/4"



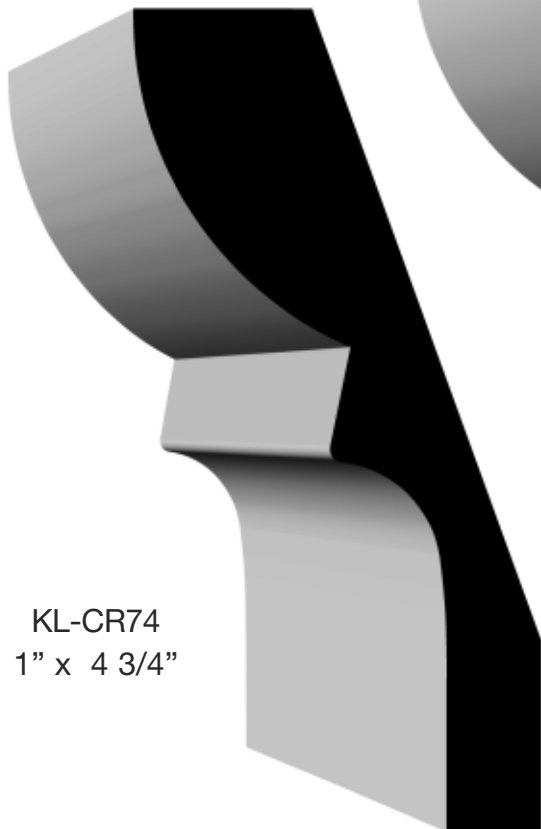
KL-CR71  
7/8" x 3 7/8"



KL-CR72  
1 1/16" x 3 15/16"



KL-CR73  
5/8" x 2 1/2"



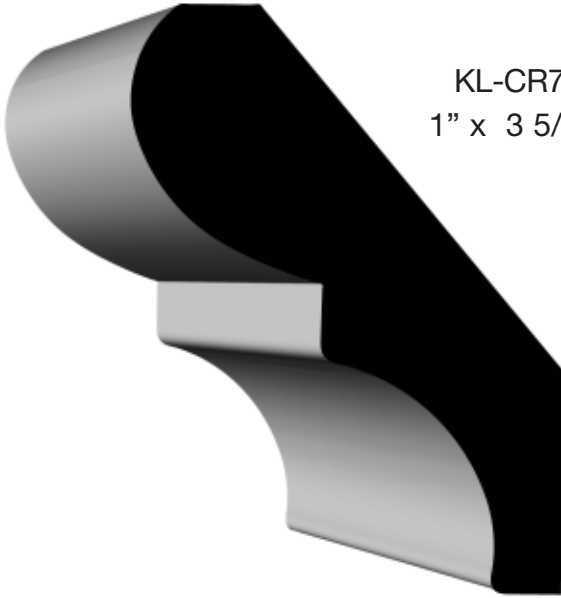
KL-CR74  
1" x 4 3/4"



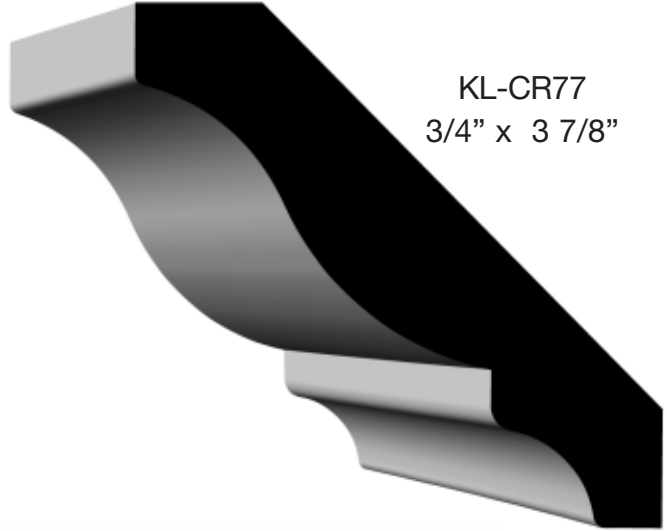
KL-CR75  
1 1/4" x 6 1/8"

# Crown

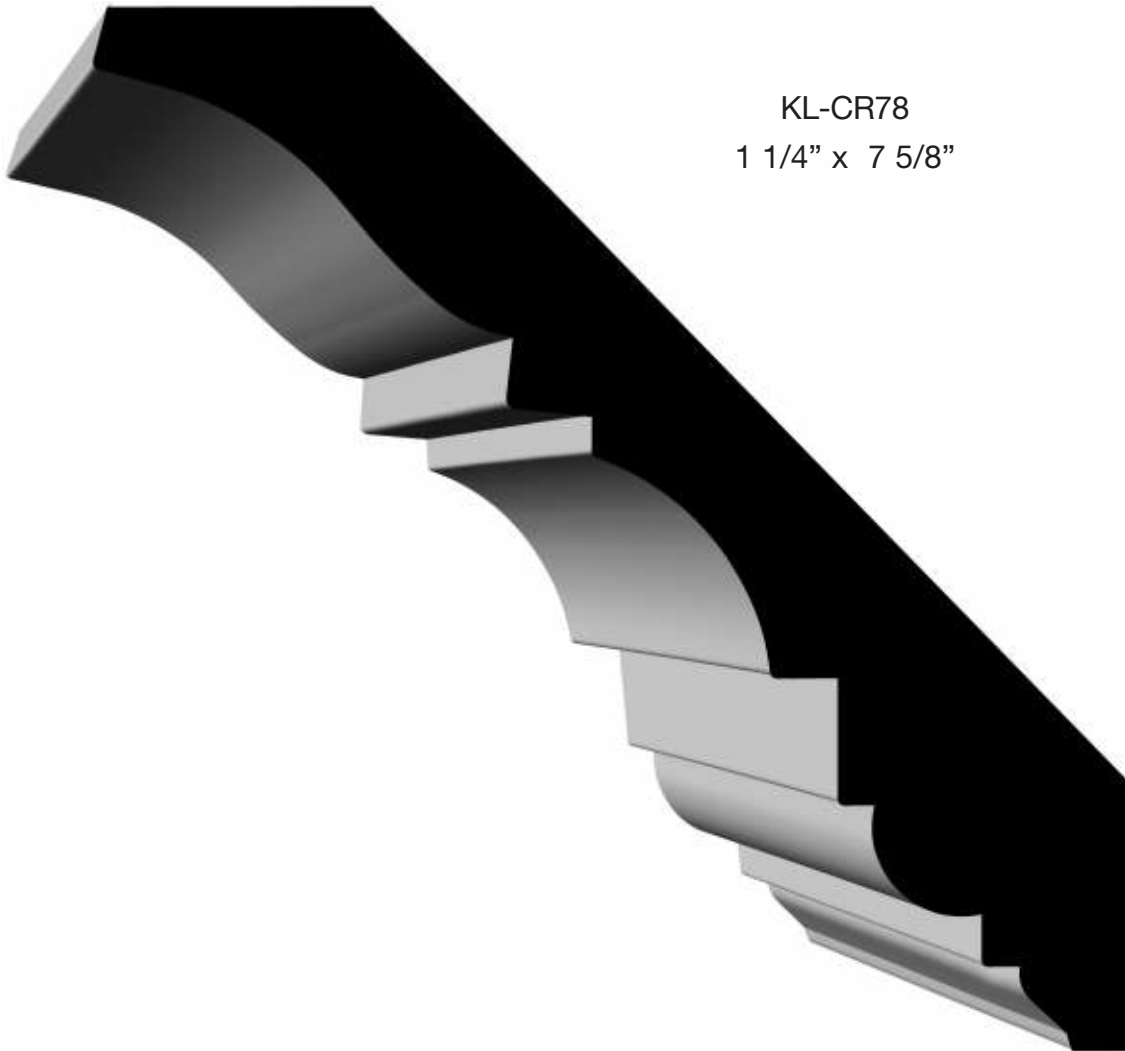
---



KL-CR76  
1" x 3 5/8"

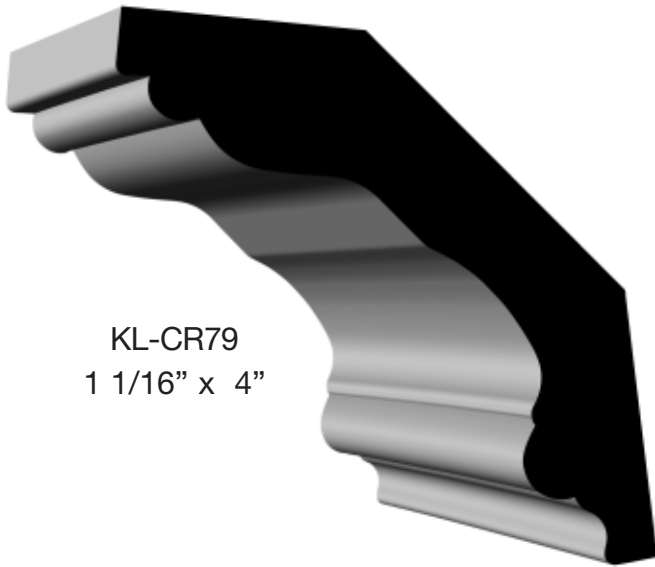


KL-CR77  
3/4" x 3 7/8"

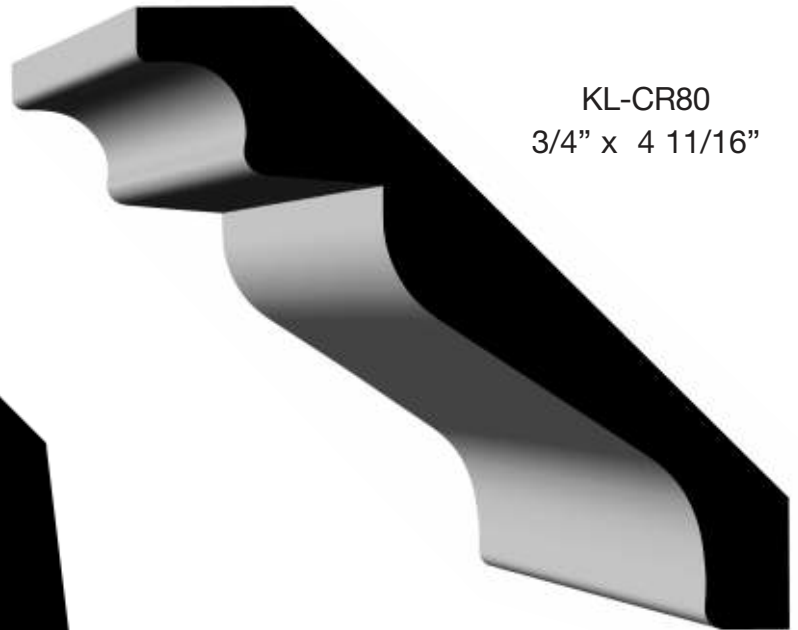


KL-CR78  
1 1/4" x 7 5/8"

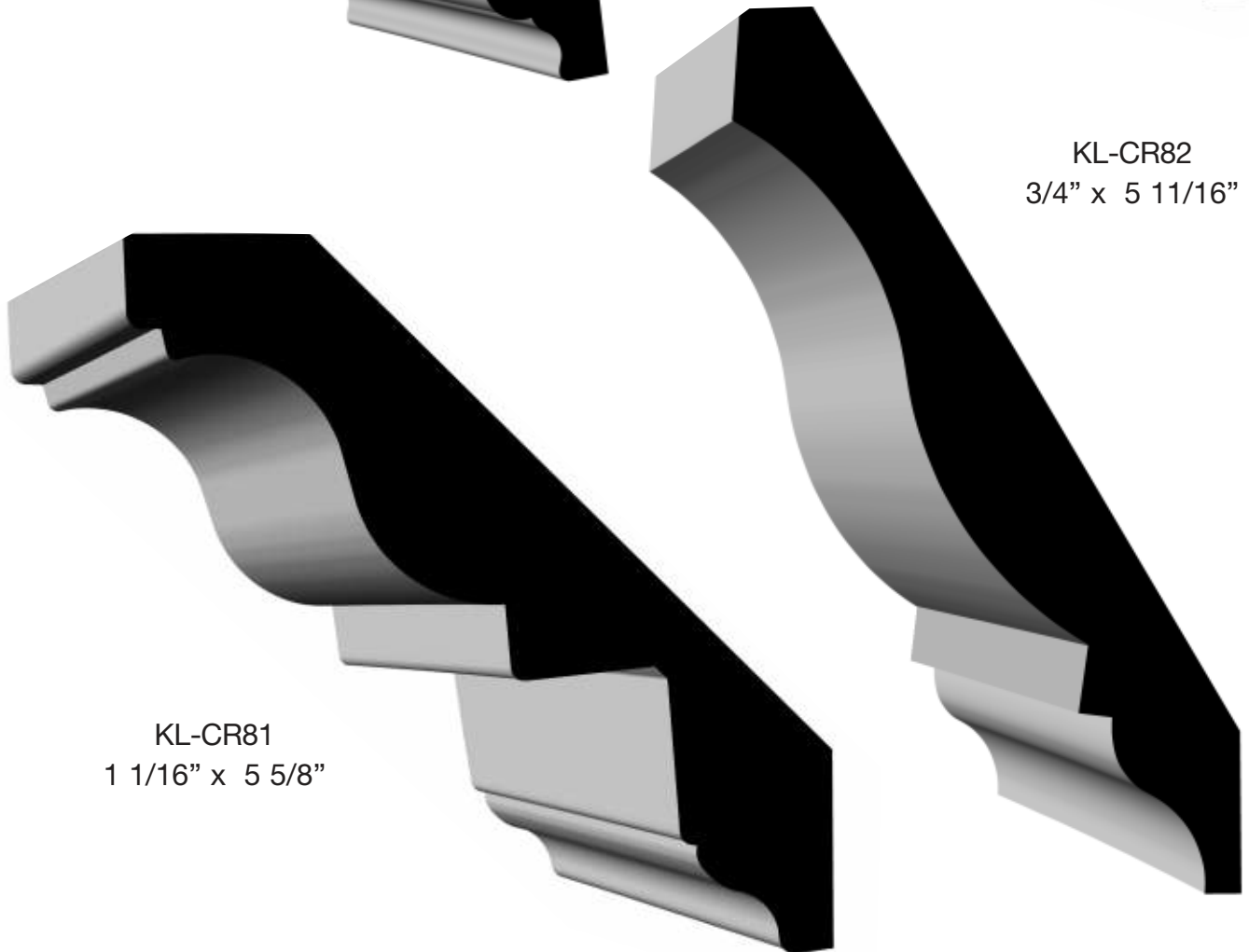




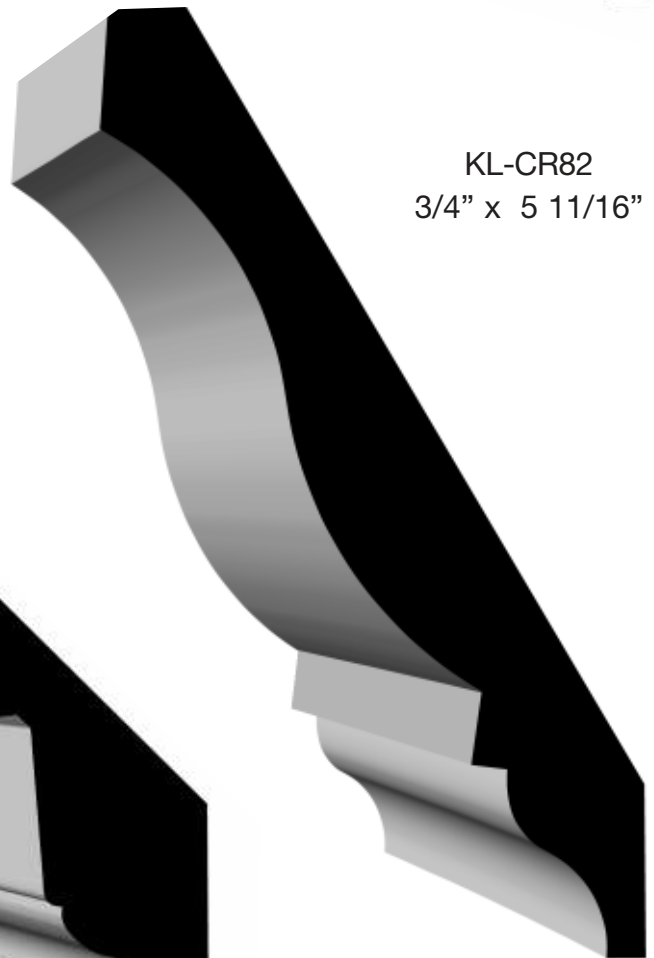
KL-CR79  
1 1/16" x 4"



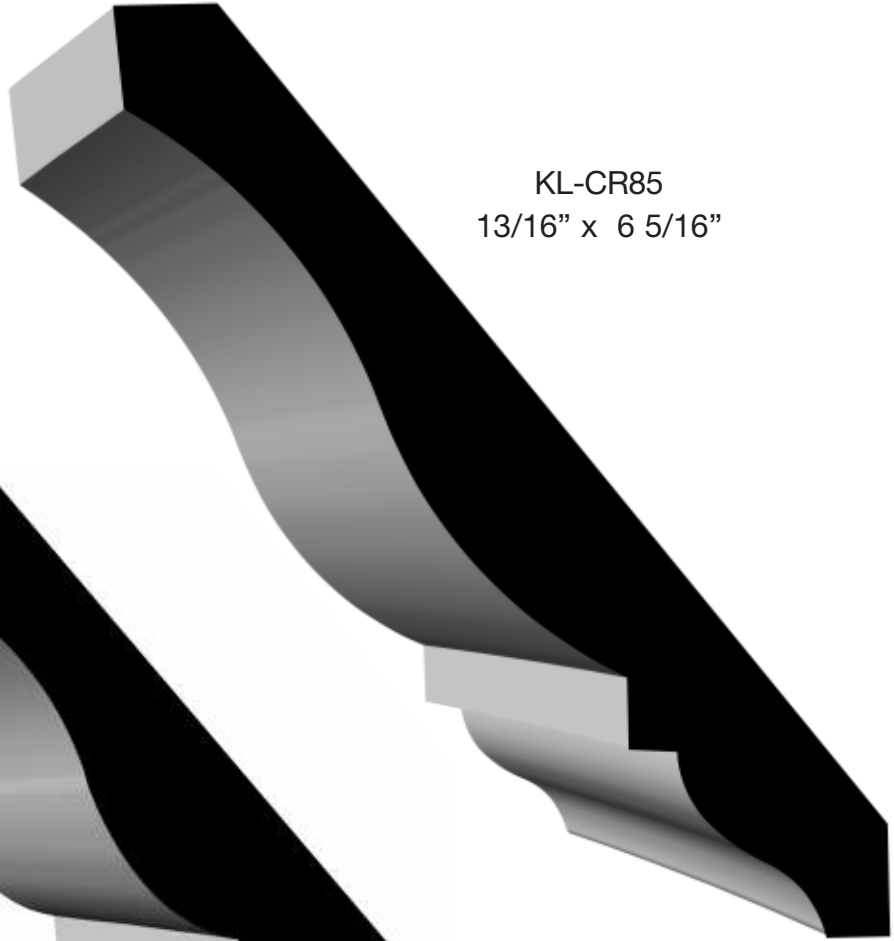
KL-CR80  
3/4" x 4 11/16"



KL-CR81  
1 1/16" x 5 5/8"



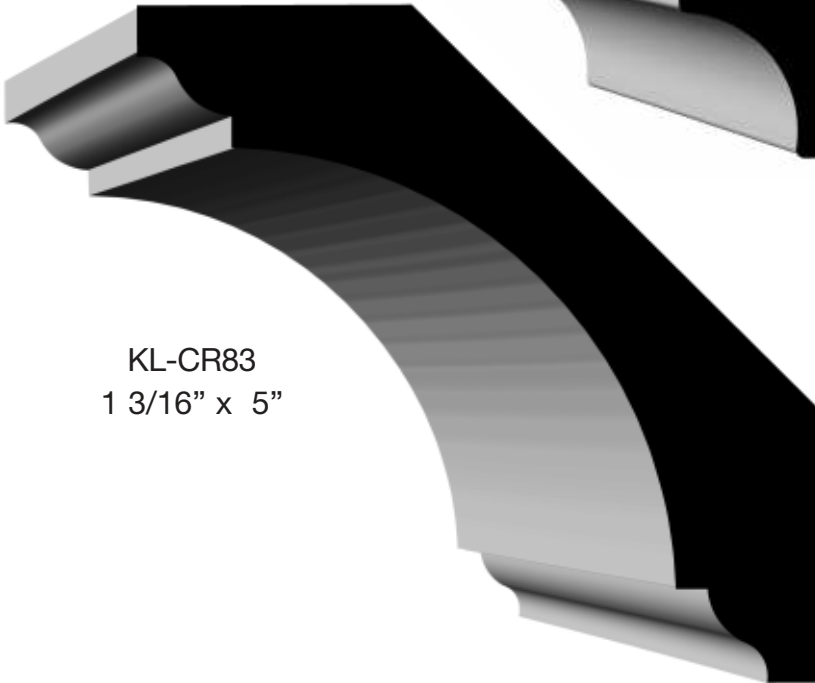
KL-CR82  
3/4" x 5 11/16"



KL-CR85  
13/16" x 6 5/16"

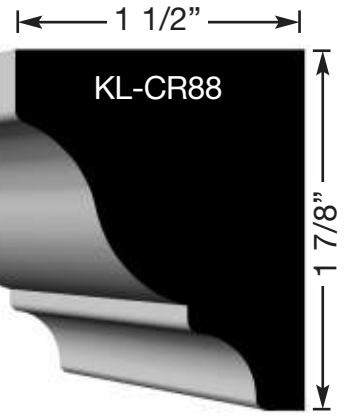


KL-CR84  
13/16" x 4 5/8"

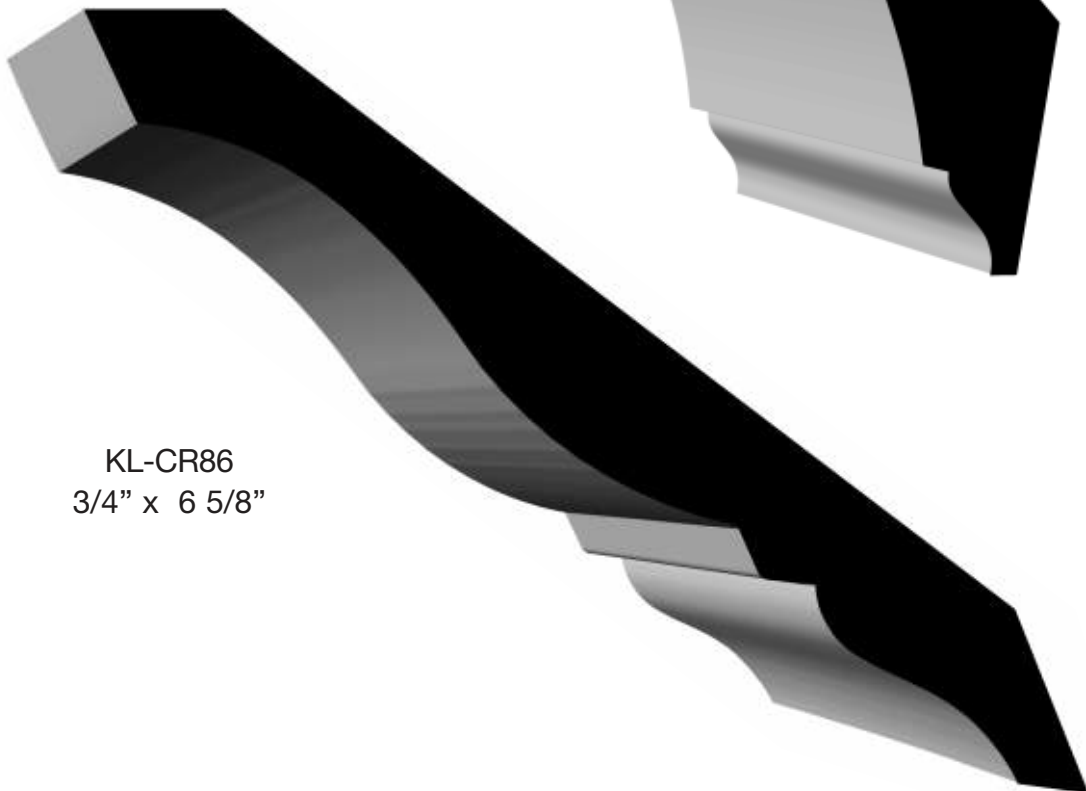


KL-CR83  
1 3/16" x 5"

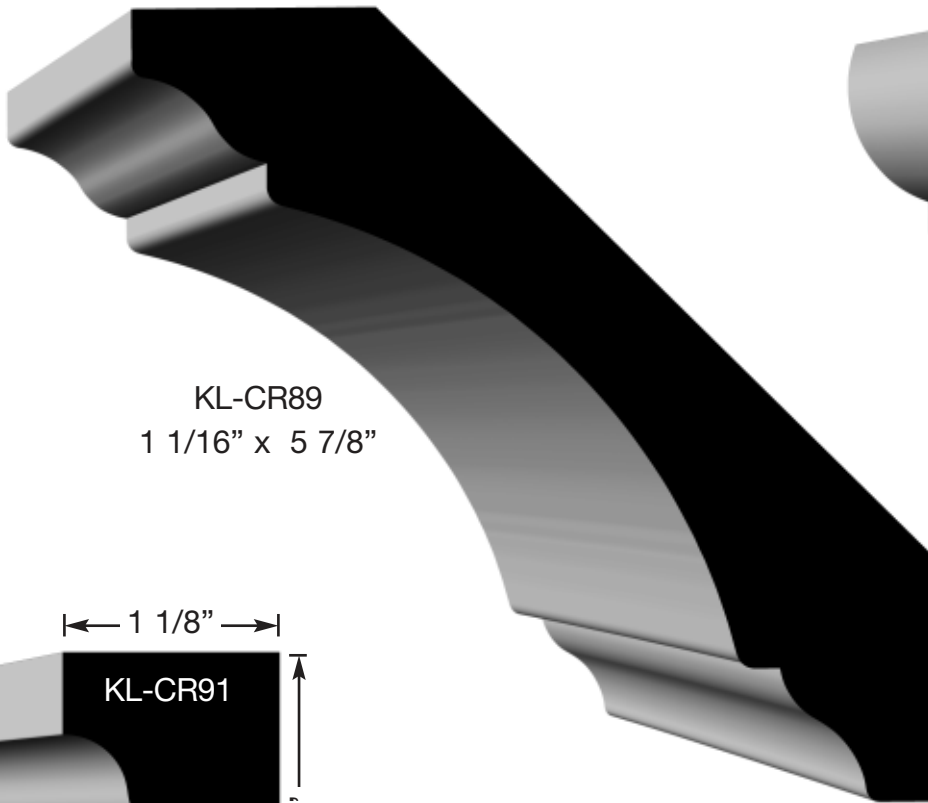
KL-CR87  
1 1/8" x 5 7/8"



KL-CR86  
3/4" x 6 5/8"



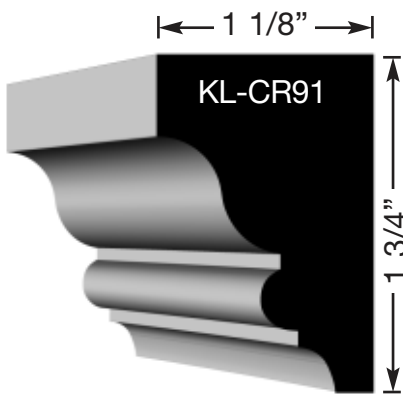
# Crown



KL-CR89  
1 1/16" x 5 7/8"



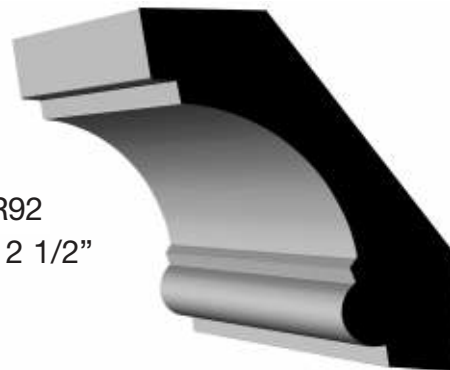
KL-CR90  
9/16" x 2 1/4"



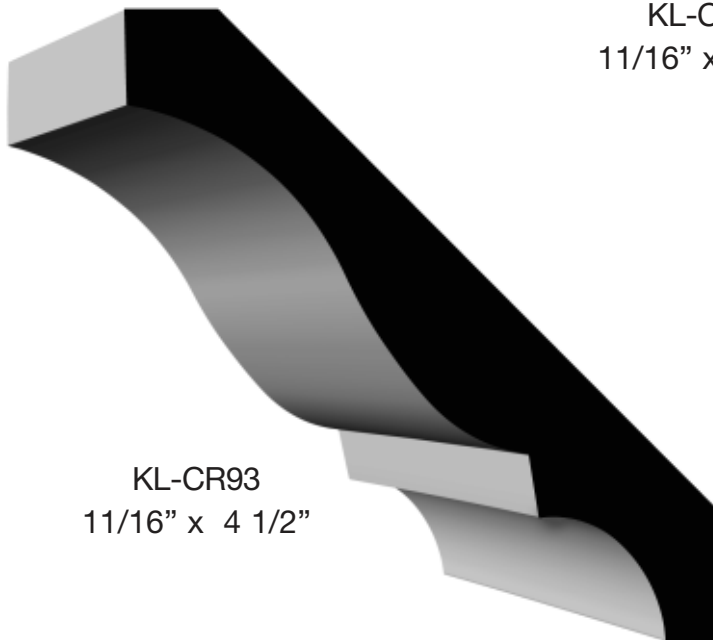
KL-CR91

1 1/8"

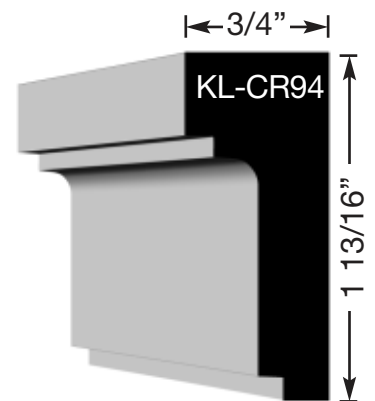
1 3/4"



KL-CR92  
1 1/16" x 2 1/2"



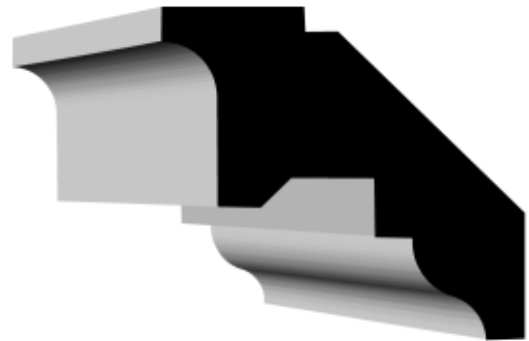
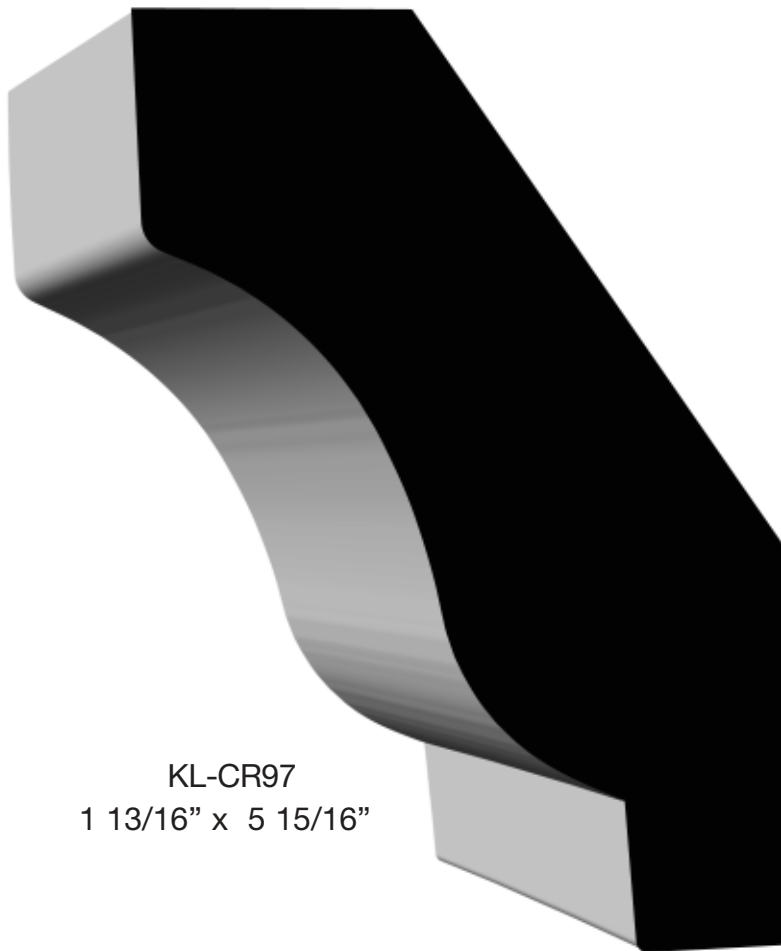
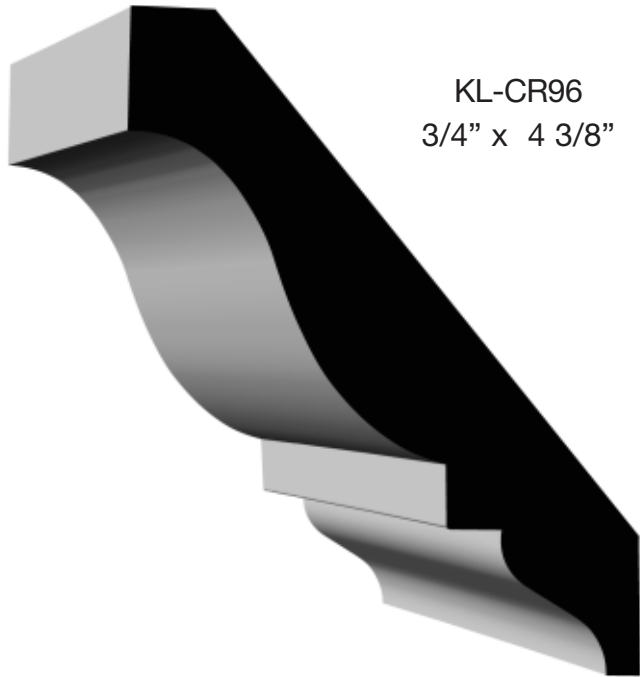
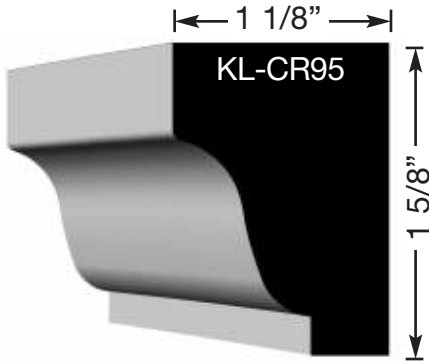
KL-CR93  
1 1/16" x 4 1/2"



KL-CR94

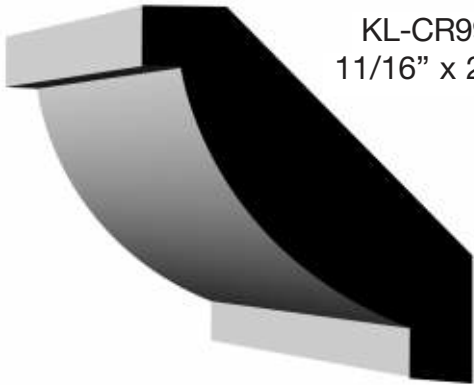
3/4"

1 13/16"



# Crown

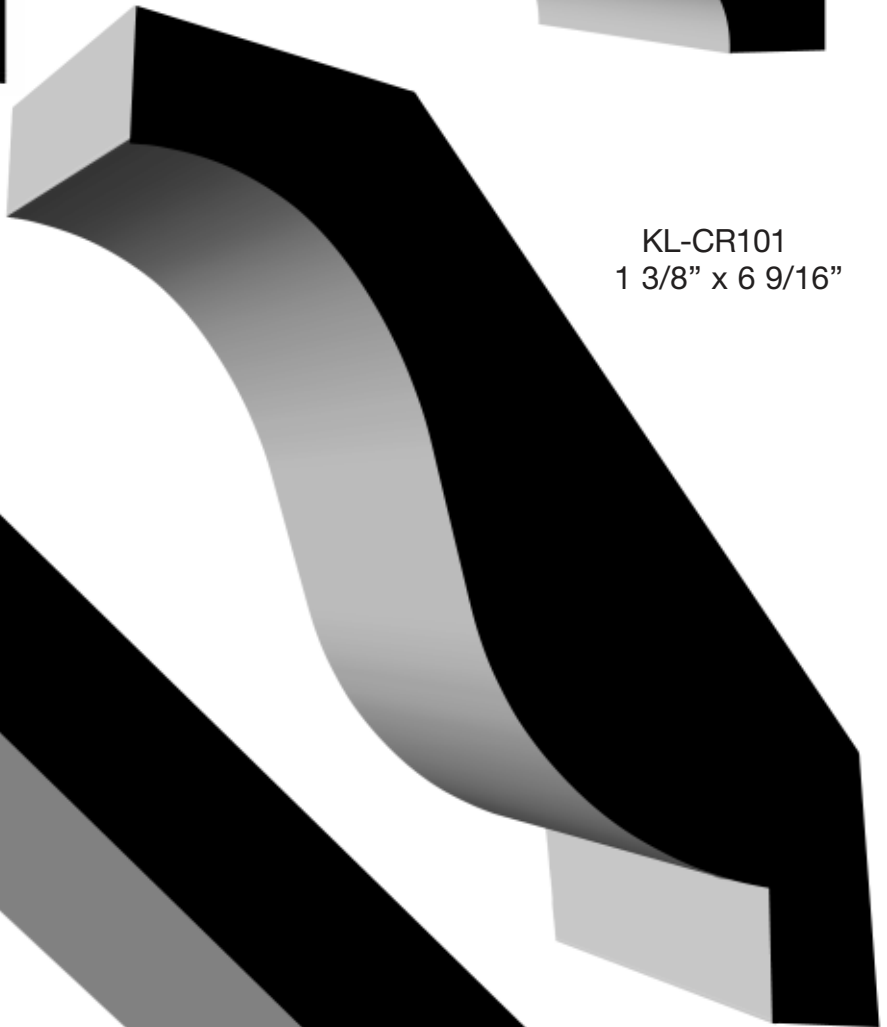
---



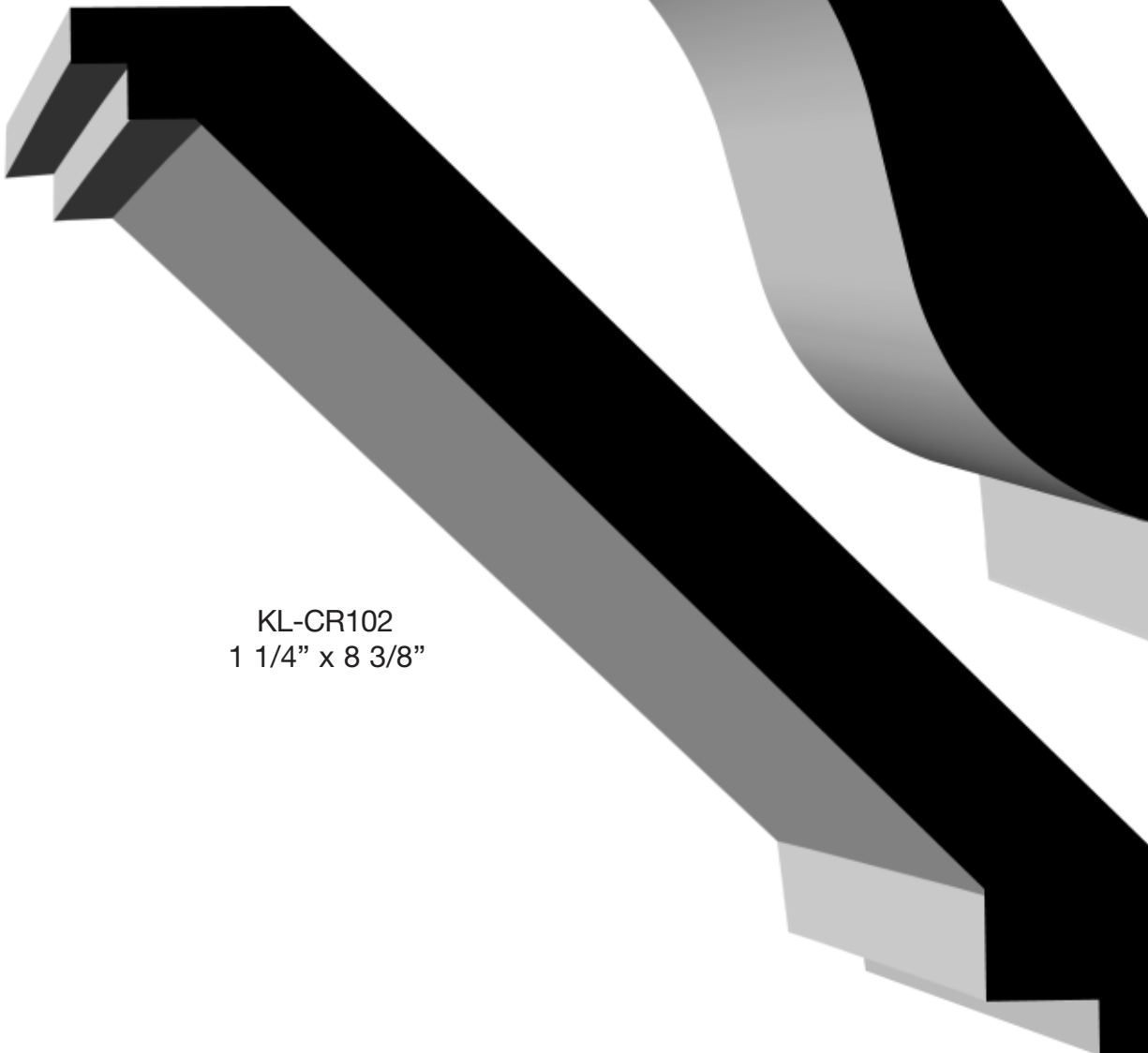
KL-CR99  
1 1/16" x 2 5/8"



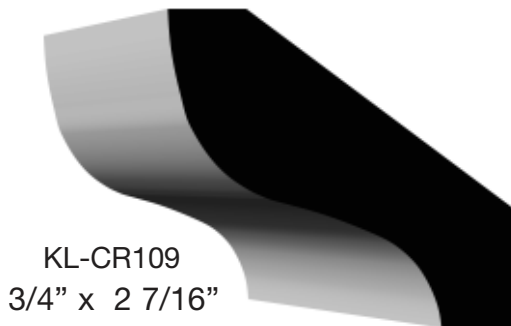
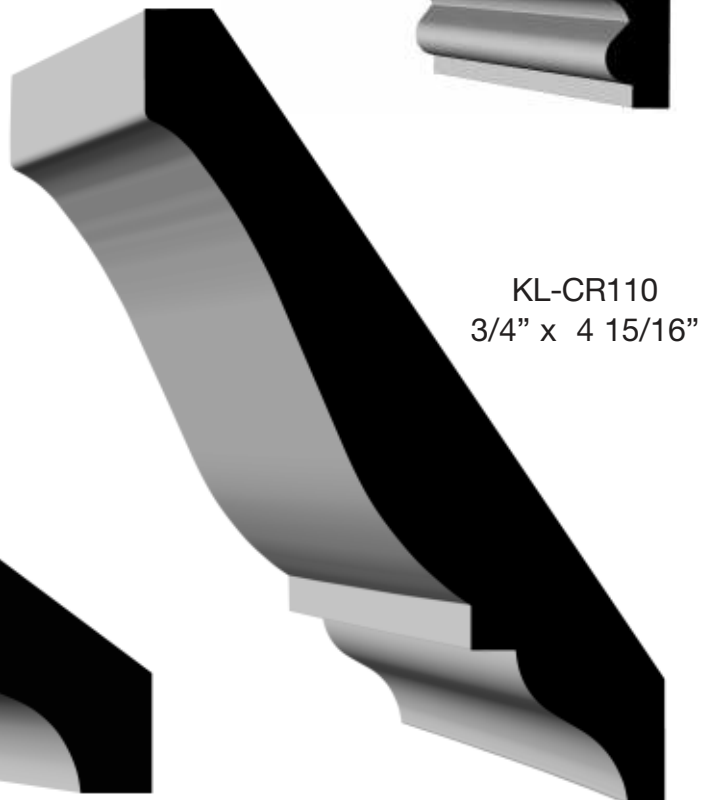
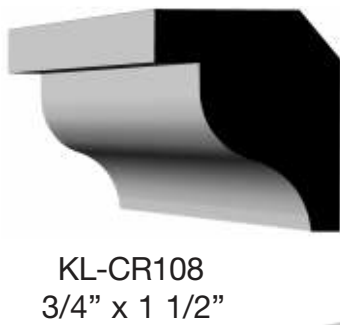
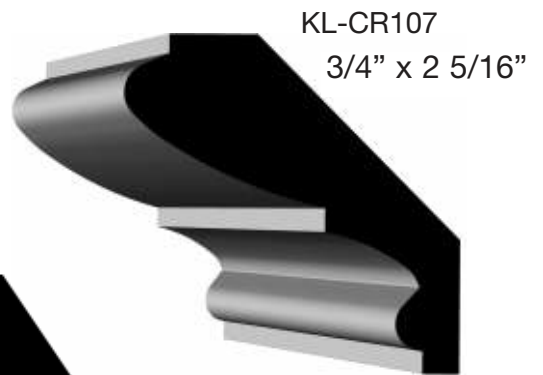
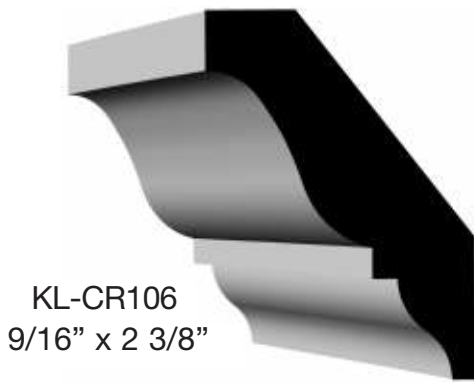
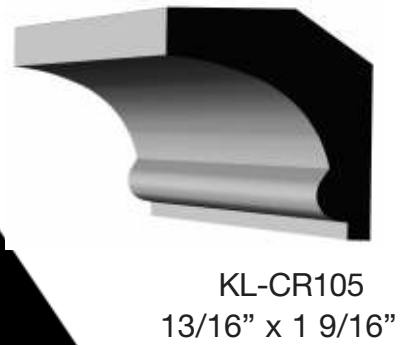
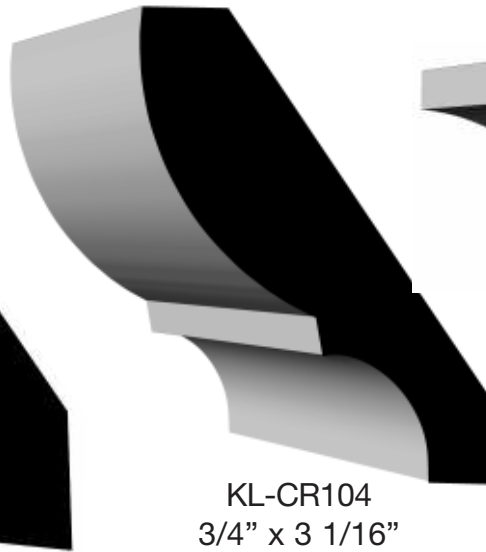
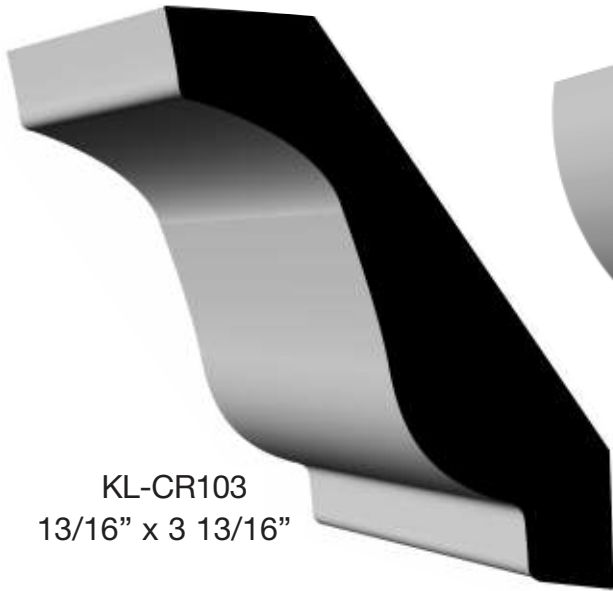
KL-CR100  
5/8" x 2 1/8"



KL-CR101  
1 3/8" x 6 9/16"

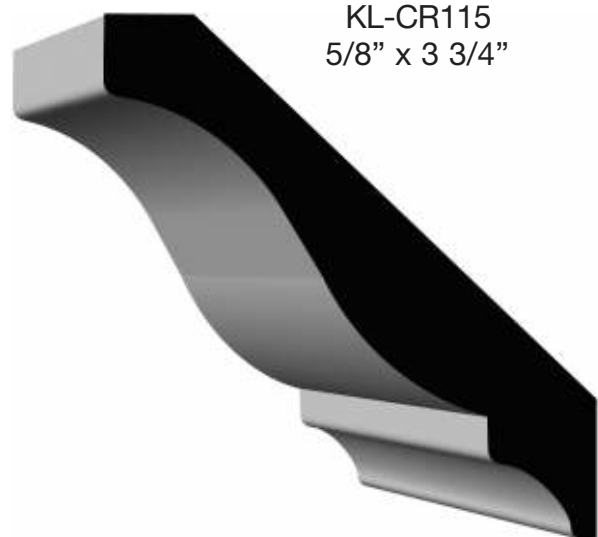
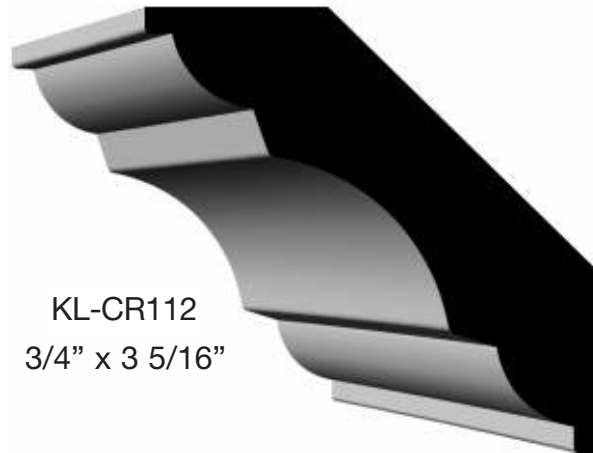
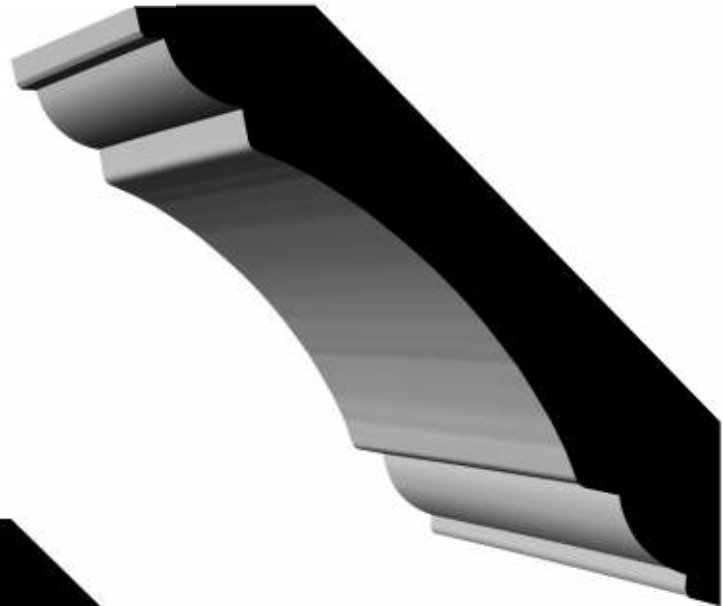
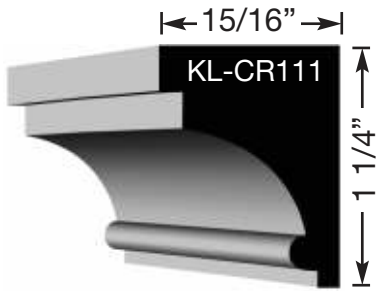


KL-CR102  
1 1/4" x 8 3/8"

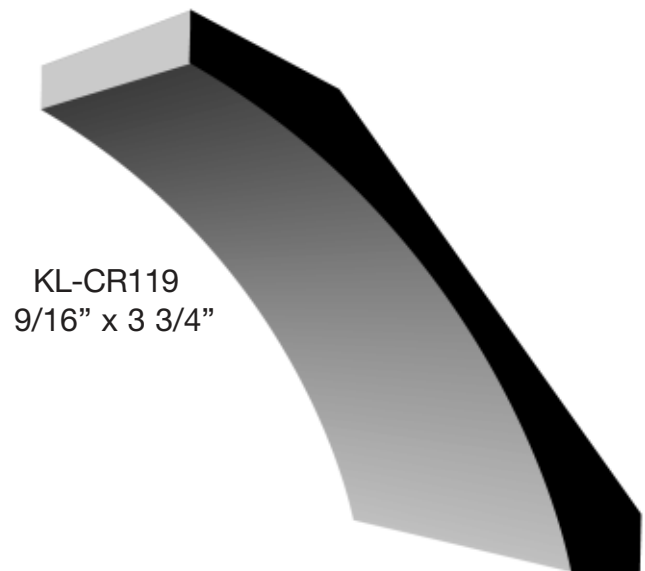


# Crown

---

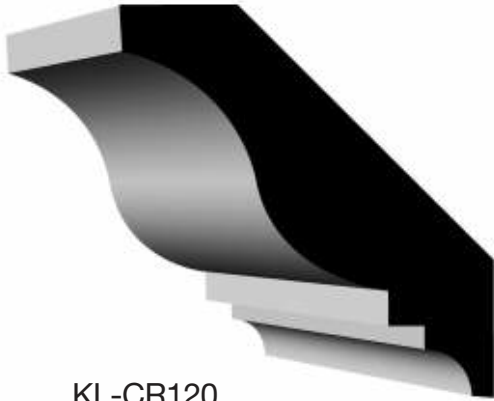




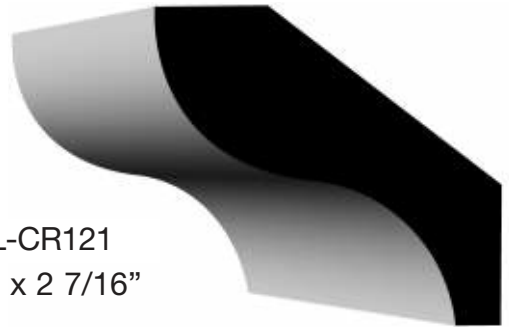


# Crown

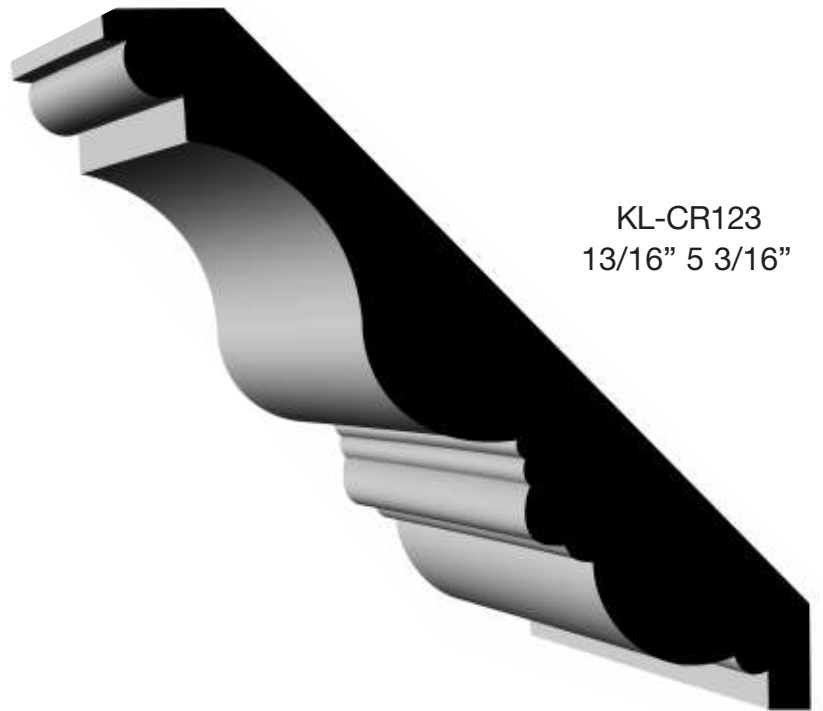
---



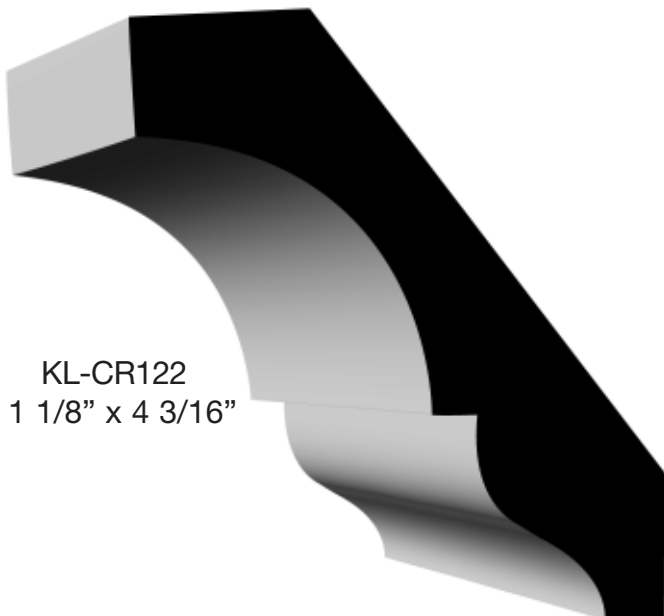
KL-CR120  
1 1/16" x 2 13/16"



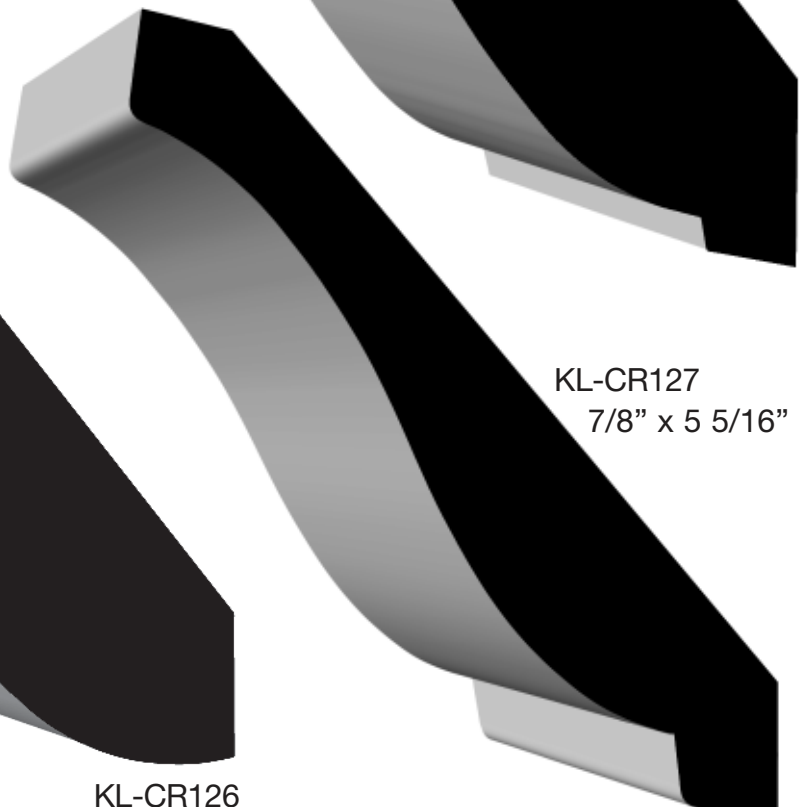
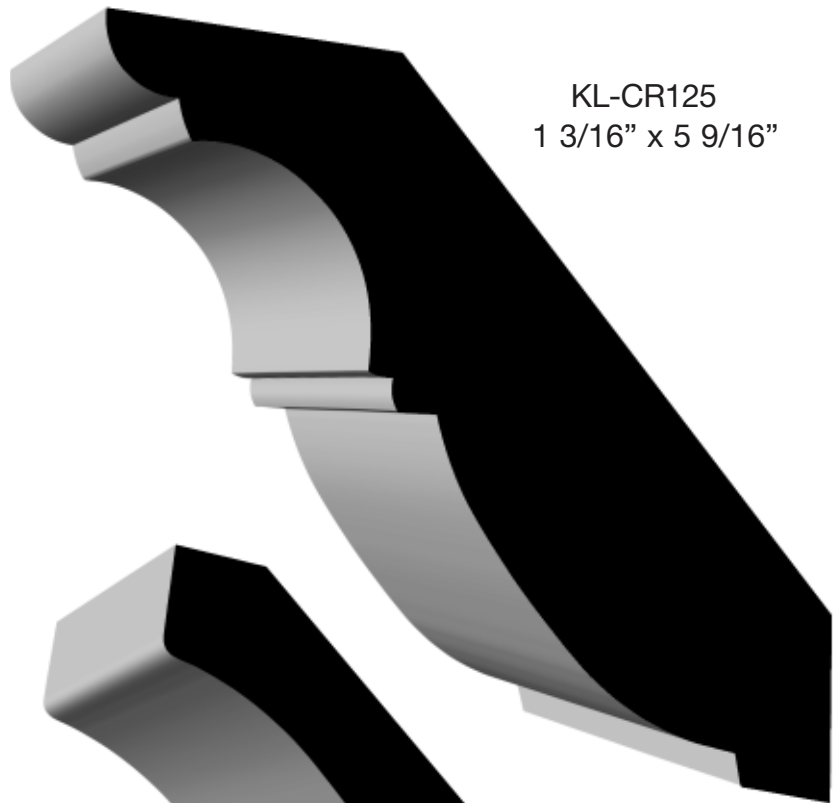
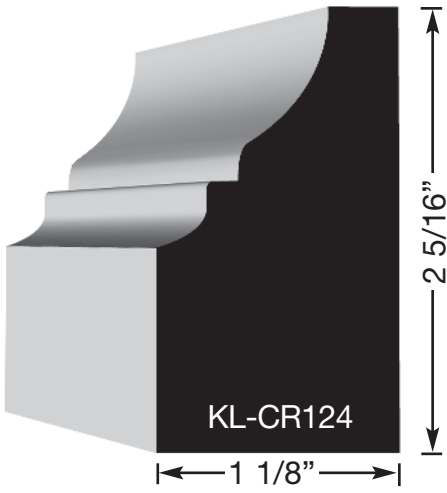
KL-CR121  
3/4" x 2 7/16"



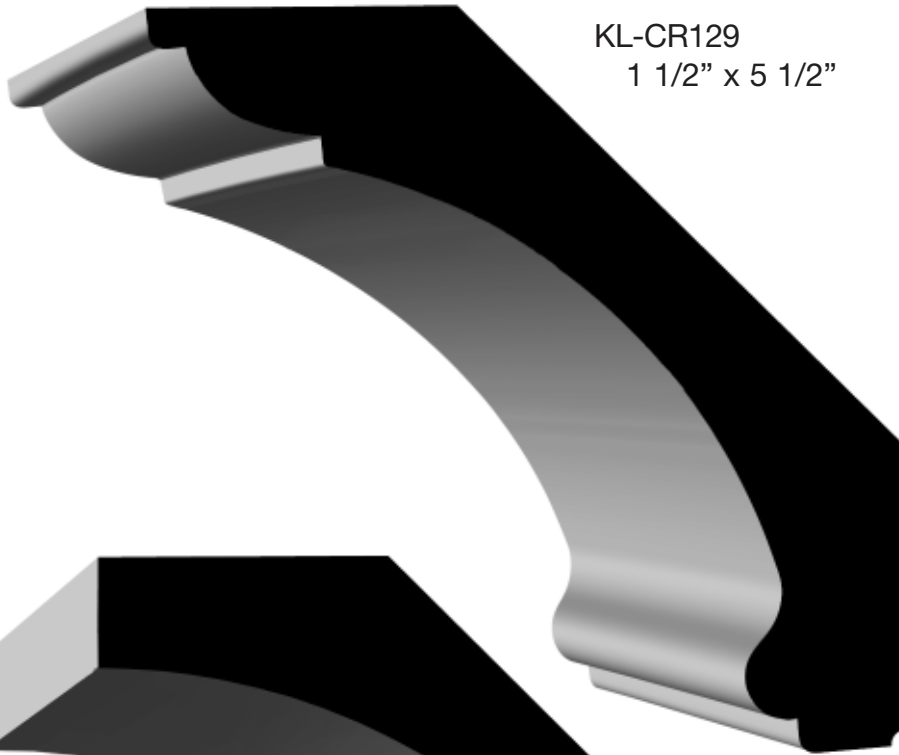
KL-CR123  
13/16" x 5 3/16"



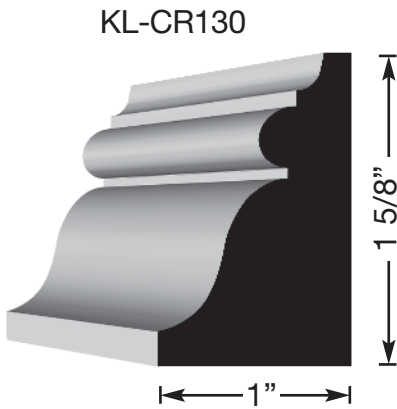
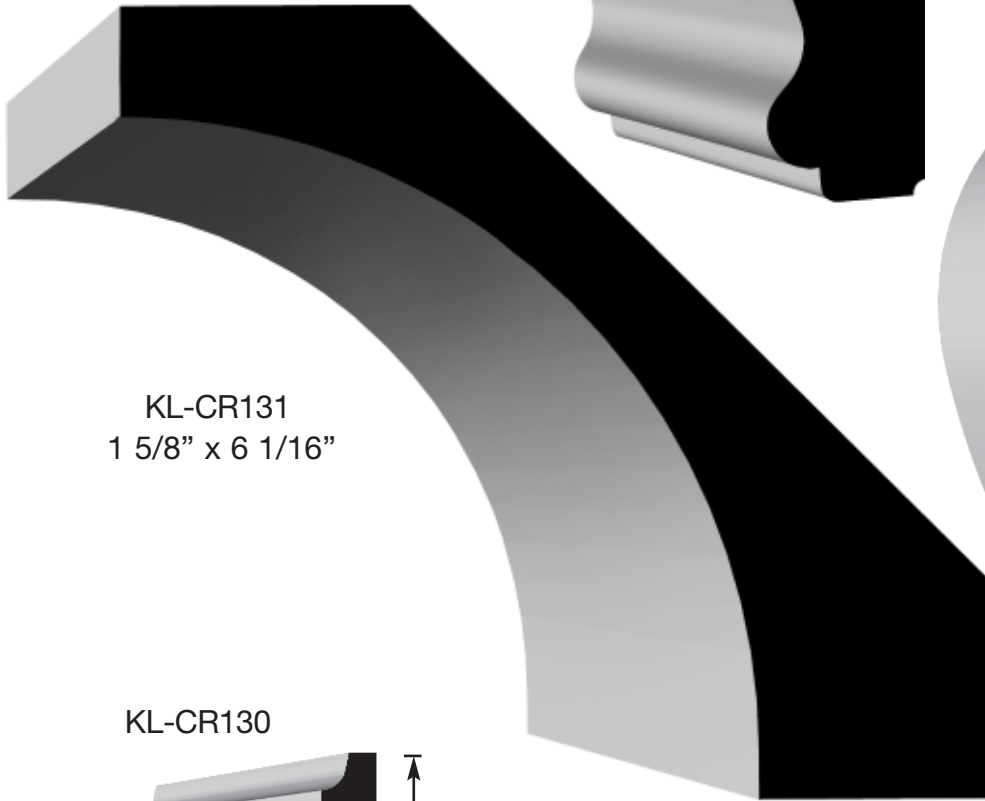
KL-CR122  
1 1/8" x 4 3/16"

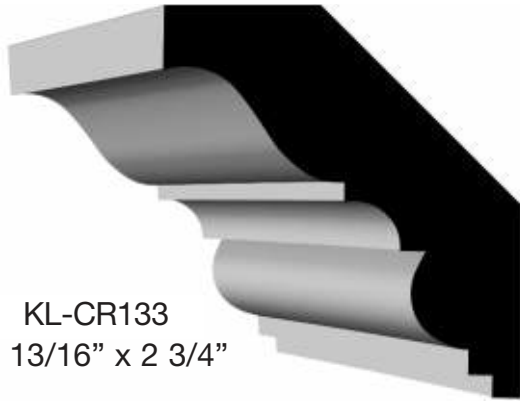


# Crown

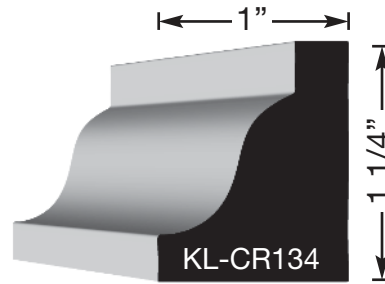


← 1 5/16" →

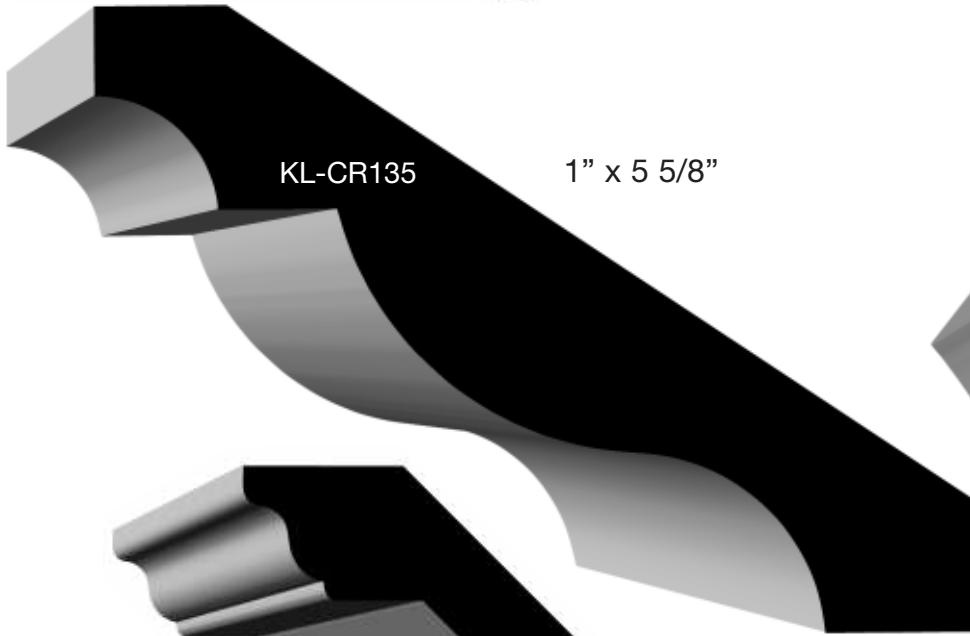




KL-CR133  
13/16" x 2 3/4"

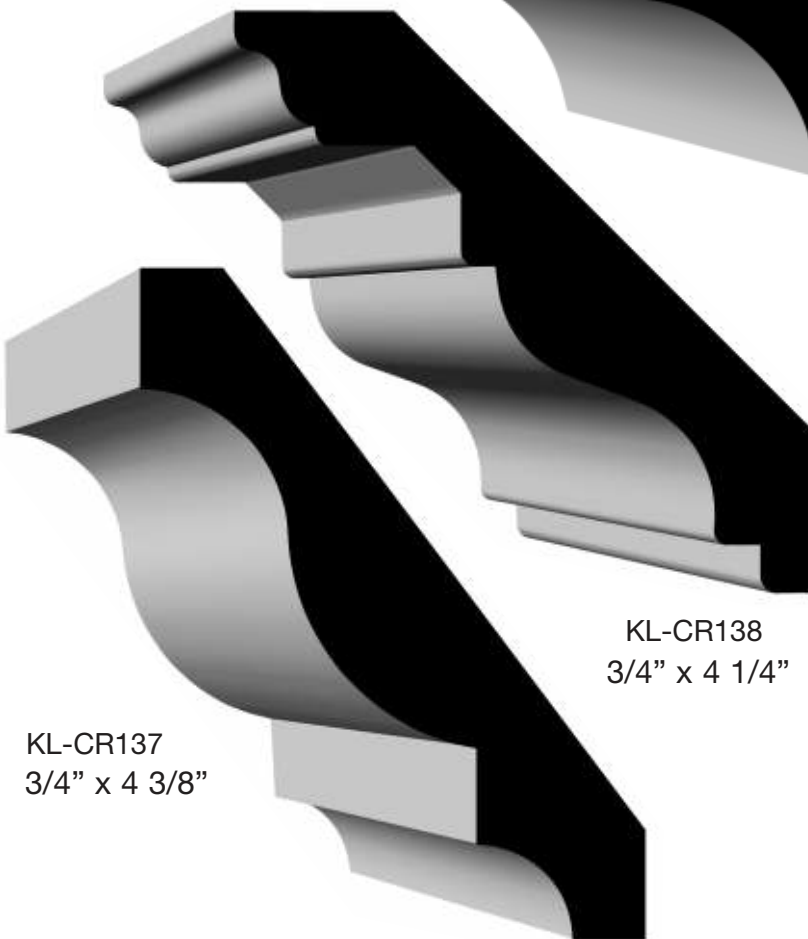


KL-CR134



KL-CR135

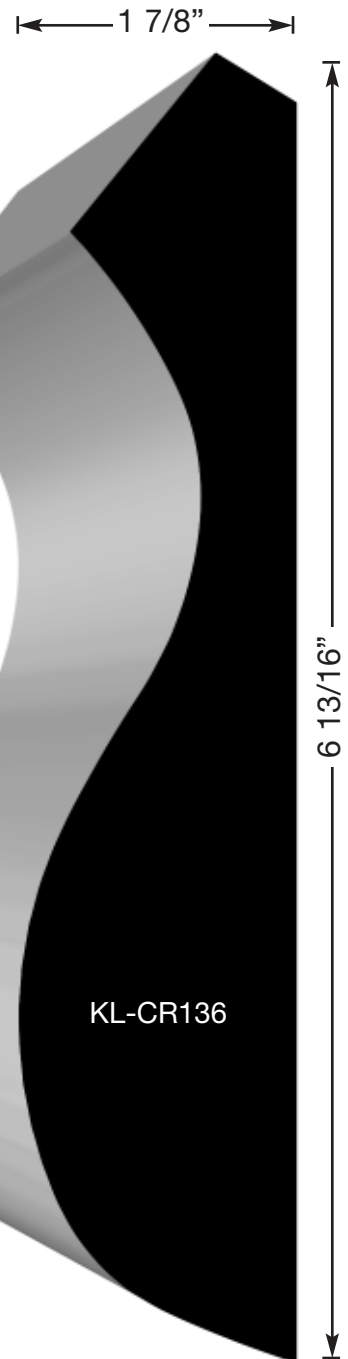
1" x 5 5/8"



KL-CR137  
3/4" x 4 3/8"



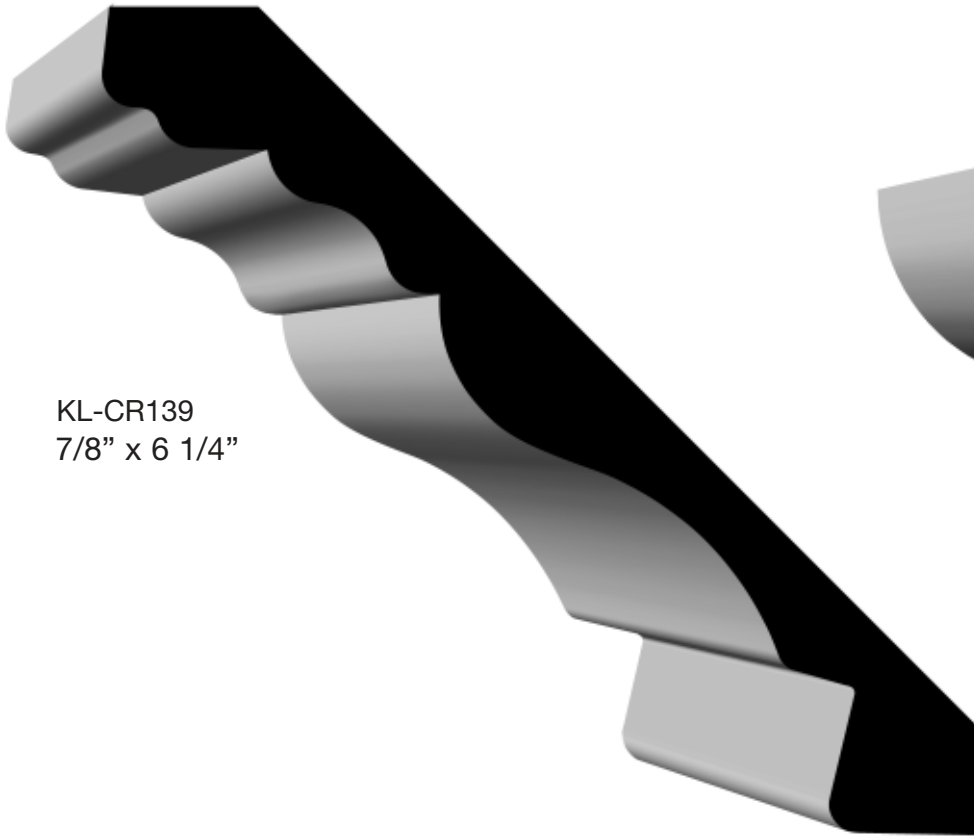
KL-CR138  
3/4" x 4 1/4"



KL-CR136

# Crown

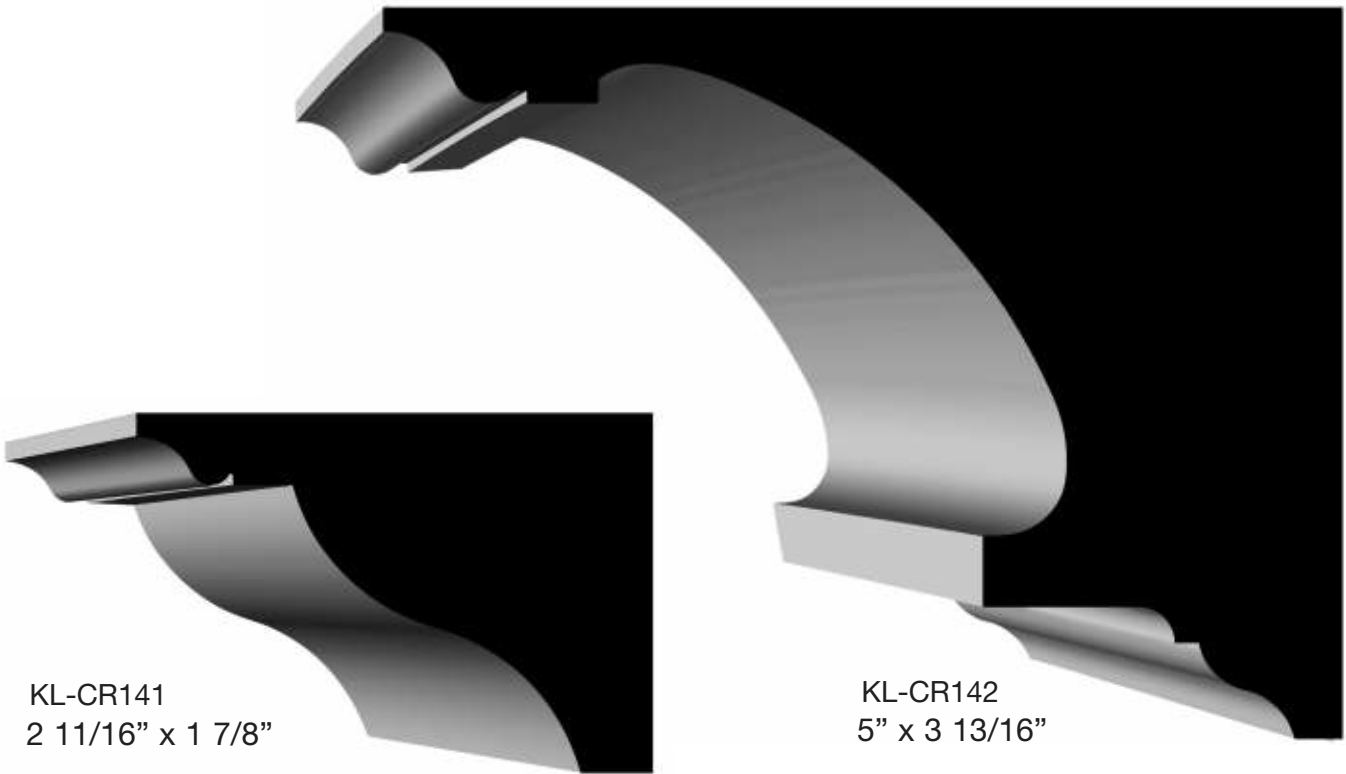
---



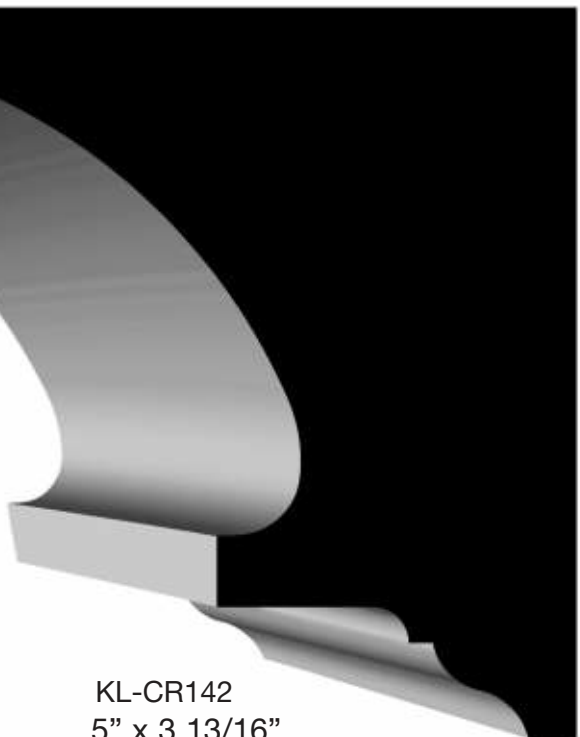
KL-CR139  
7/8" x 6 1/4"



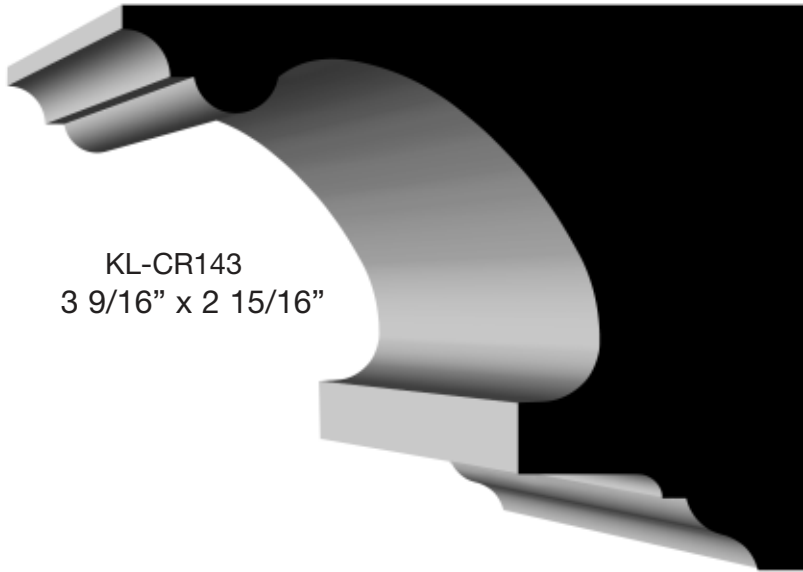
KL-CR140  
1 11/16" x 1 13/16"



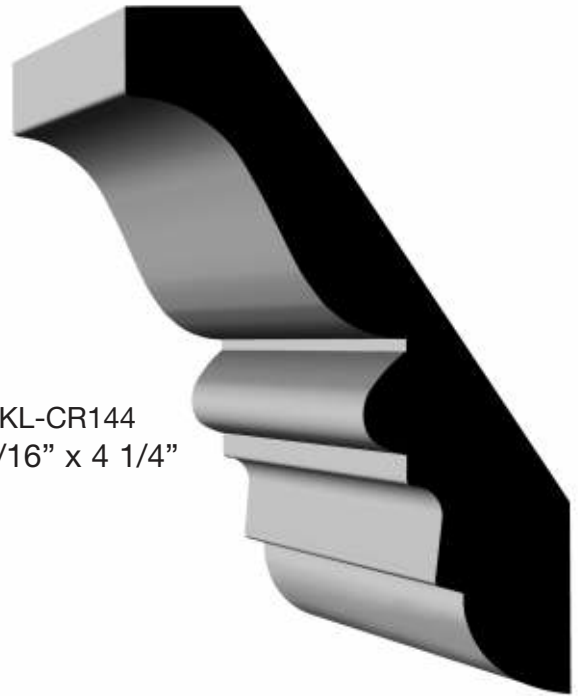
KL-CR141  
2 11/16" x 1 7/8"



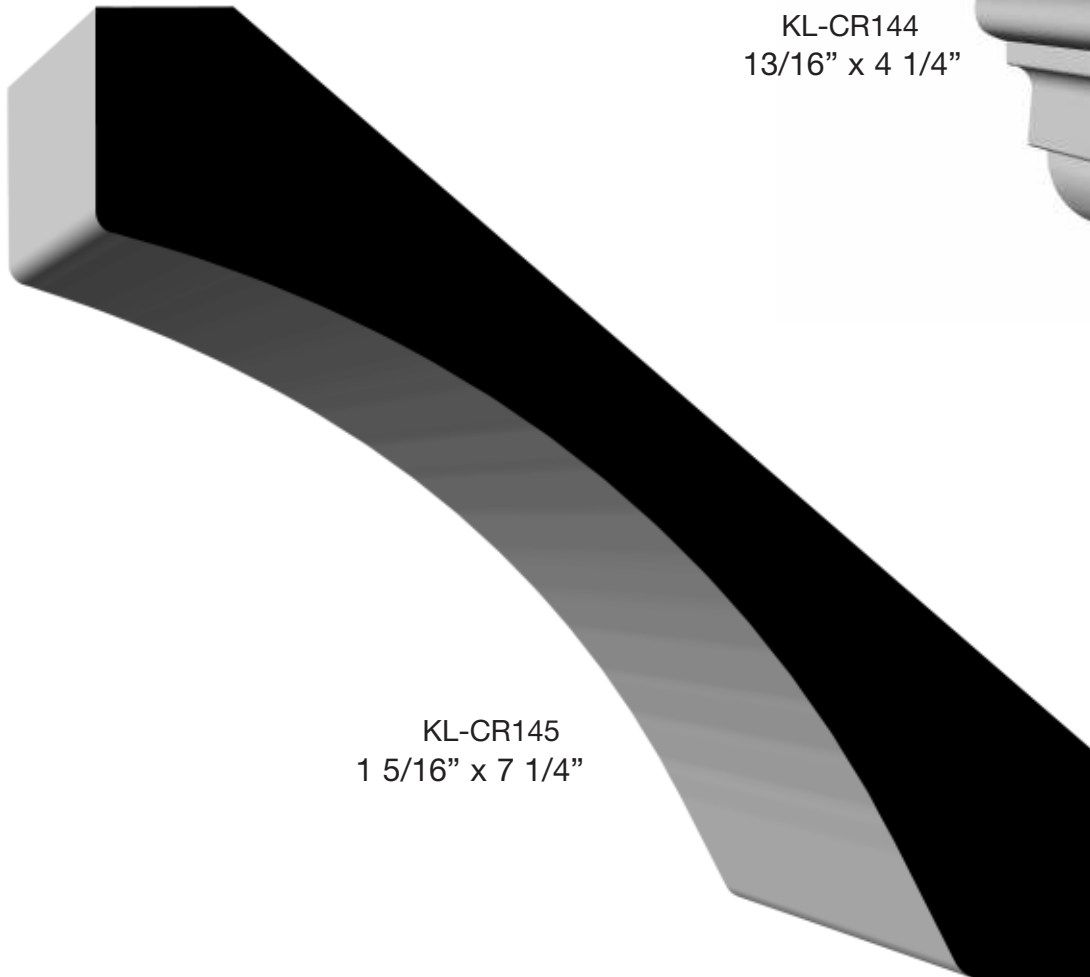
KL-CR142  
5" x 3 13/16"



KL-CR143  
3 9/16" x 2 15/16"



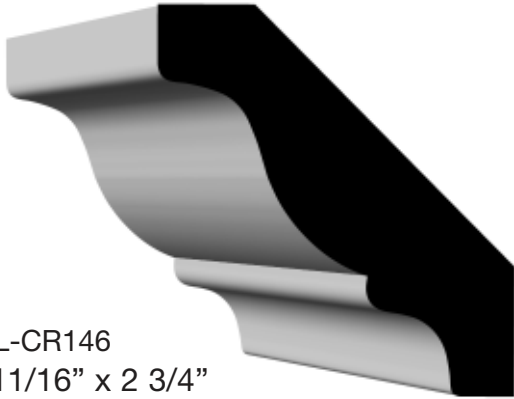
KL-CR144  
13/16" x 4 1/4"



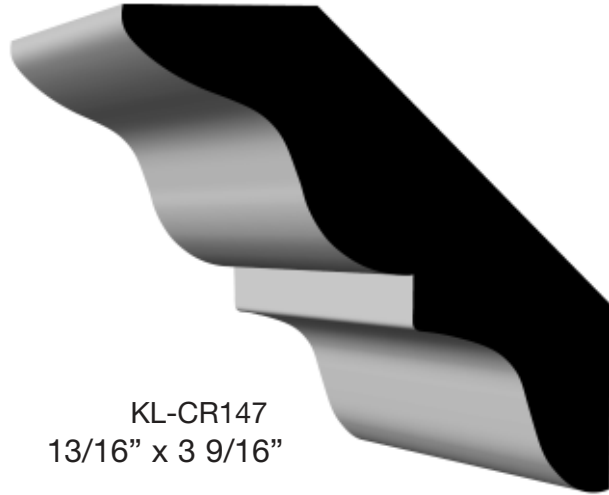
KL-CR145  
1 5/16" x 7 1/4"

# Crown

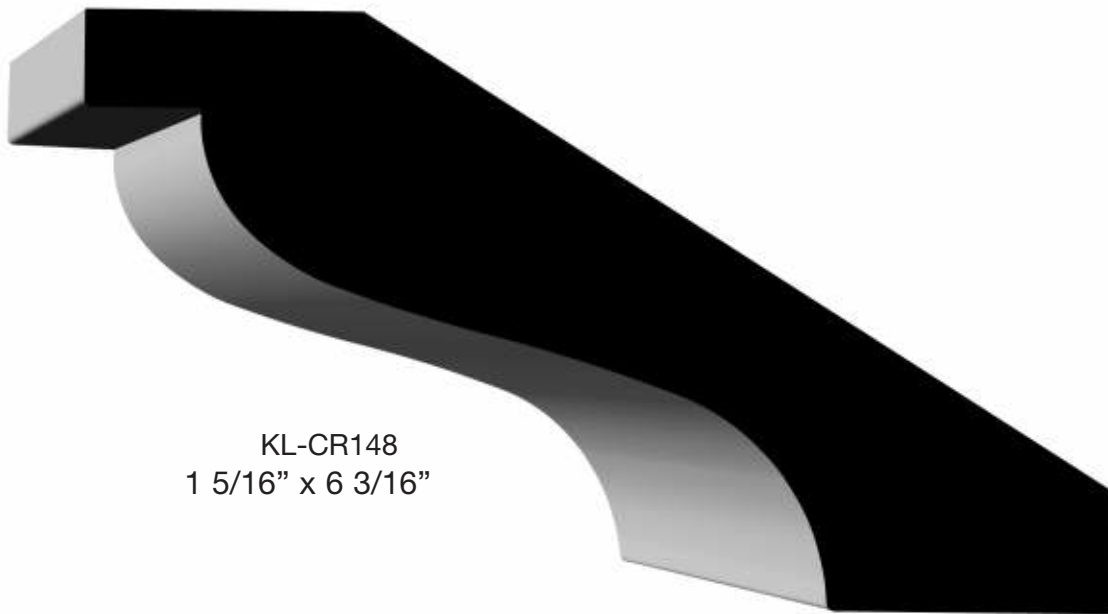
---



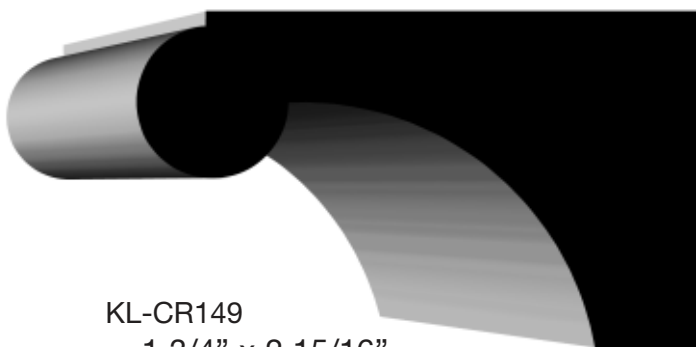
KL-CR146  
1 1/16" x 2 3/4"



KL-CR147  
1 3/16" x 3 9/16"



KL-CR148  
1 5/16" x 6 3/16"

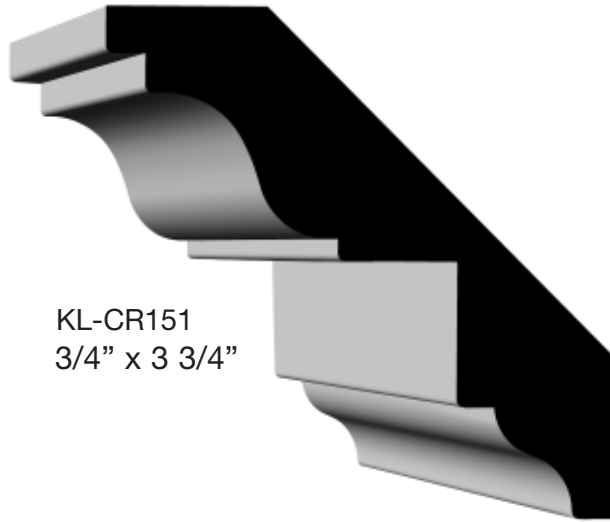


KL-CR149  
1 3/4" x 2 15/16"

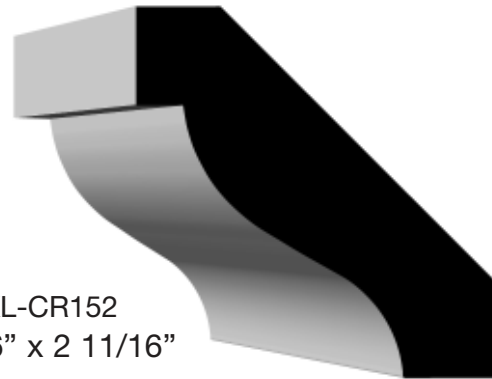




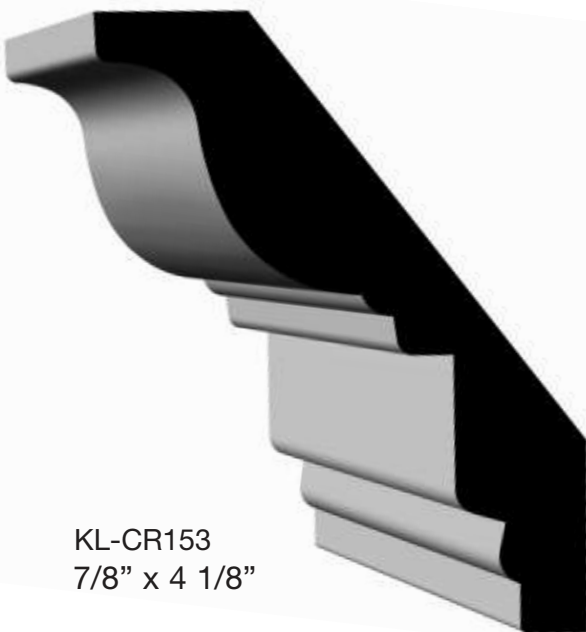
KL-CR150  
1 7/8" x 3 15/16"



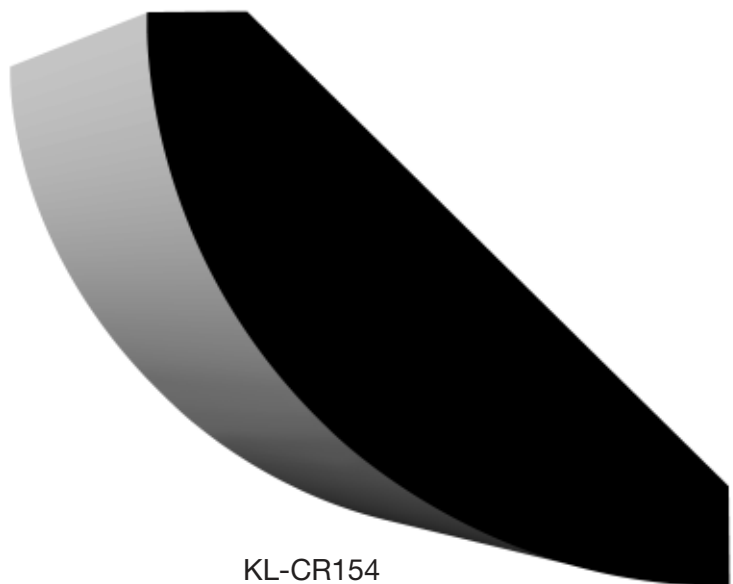
KL-CR151  
3/4" x 3 3/4"



KL-CR152  
1 1/16" x 2 11/16"



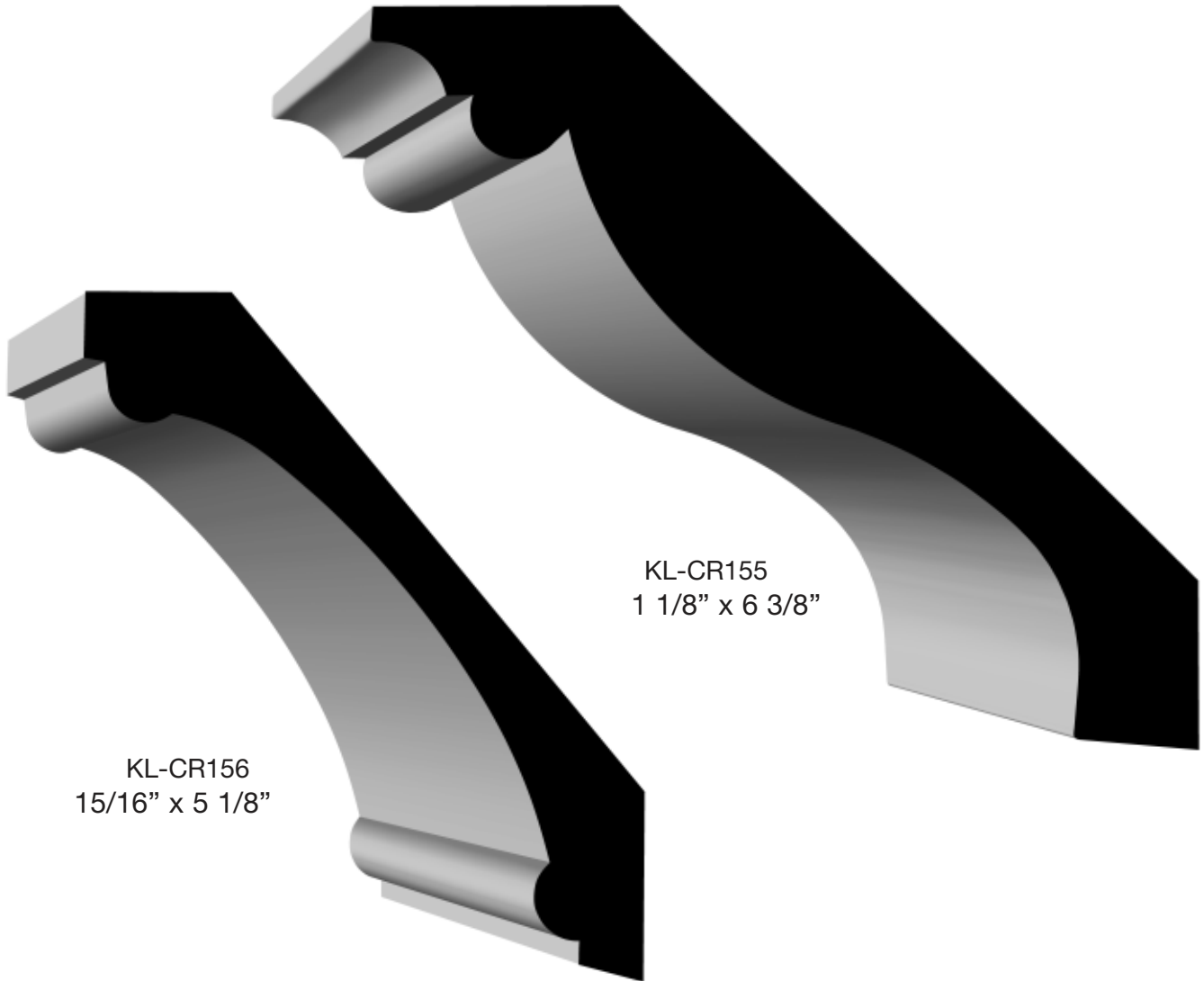
KL-CR153  
7/8" x 4 1/8"



KL-CR154  
1 1/4" x 4 1/4"

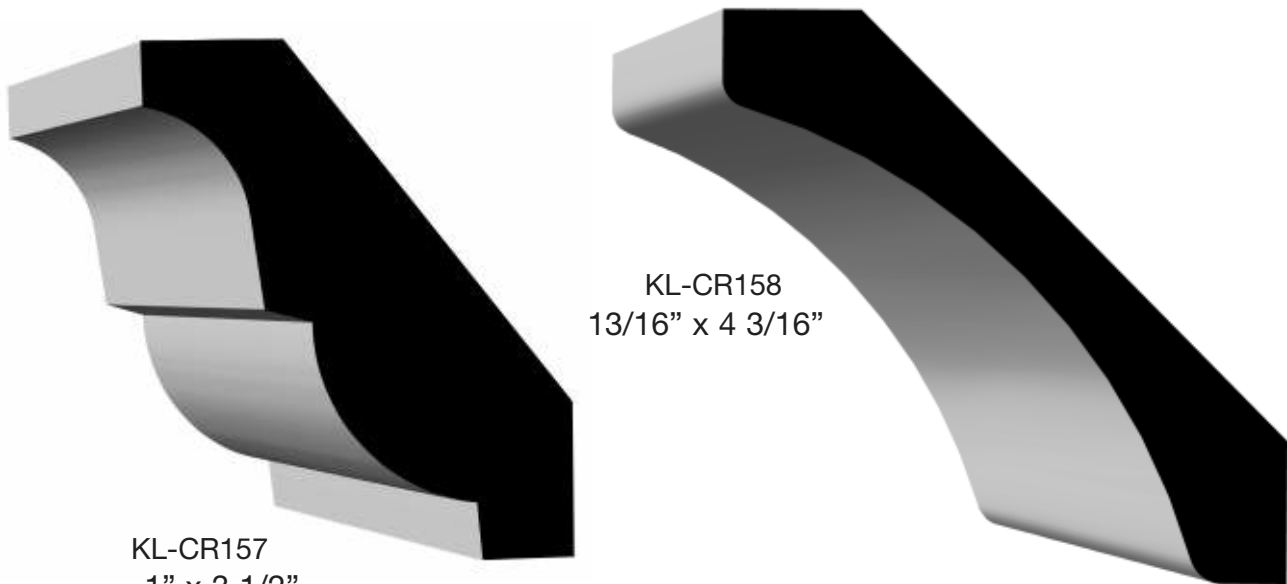
# Crown

---



KL-CR155  
1 1/8" x 6 3/8"

KL-CR156  
15/16" x 5 1/8"



KL-CR158  
13/16" x 4 3/16"

KL-CR157  
1" x 3 1/2"

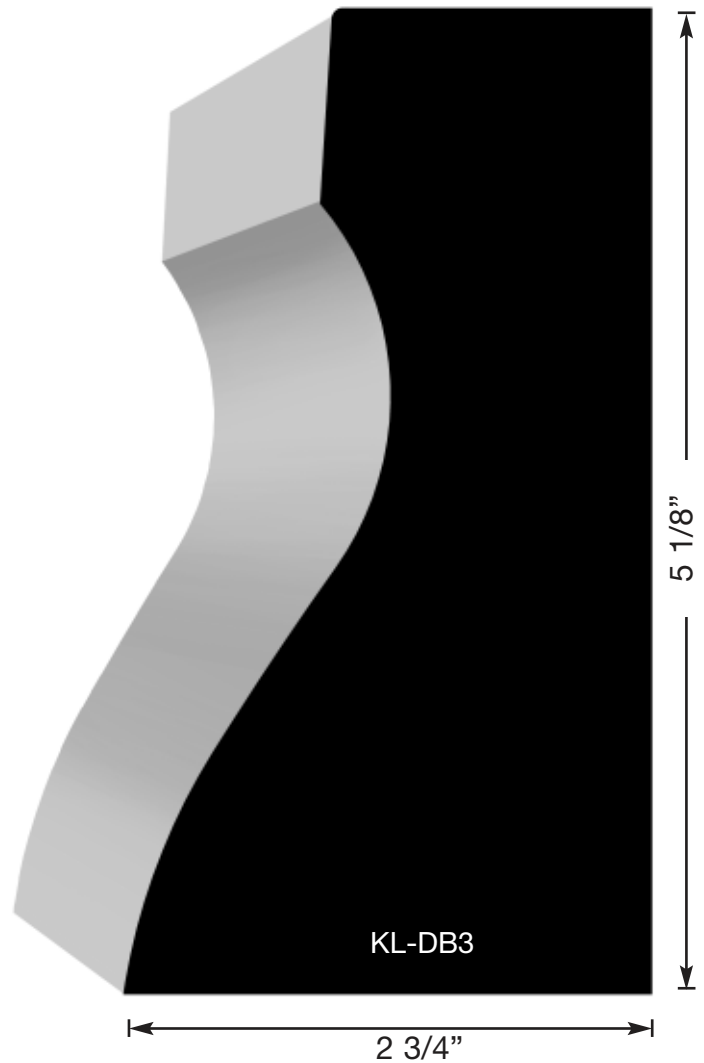
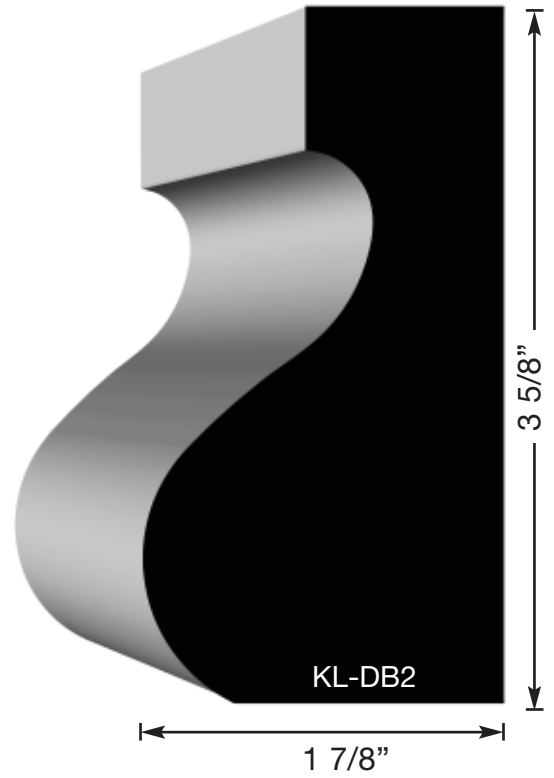
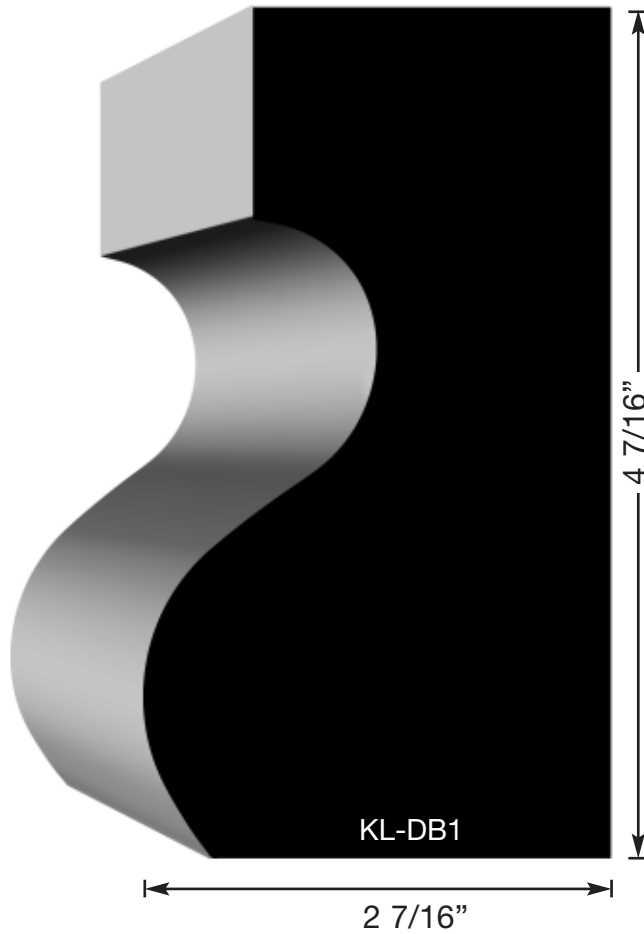
# Crown Projections

<u>CROWN #</u>	<u>PROJECTION</u>	<u>HEIGHT</u>	<u>CROWN #</u>	<u>PROJECTION</u>	<u>HEIGHT</u>
KL-CR1	2 1/2	2 1/2	KL-CR41	2 3/4	2 3/16
KL-CR2	2 1/16	2 13/16	KL-CR42	1 3/4	2 5/8
KL-CR3	3 1/2	3 1/16	KL-CR43	2 3/16	3 1/8
KL-CR4	4 1/2	3 9/16	KL-CR44	3 7/16	3 1/4
KL-CR5	3 7/16	4 3/4	KL-CR45	1 1/16	1 5/16
KL-CR6	5 3/16	4 5/8	KL-CR46	2 7/16	3
KL-CR7	4 7/16	5 1/2	KL-CR47	3/4	1 3/4
KL-CR8	3	3 5/8	KL-CR48	3 1/2	4 1/4
KL-CR9	3/4	1 13/16	KL-CR49	1 5/8	2 3/4
KL-CR10	1 3/8	2 3/4	KL-CR50	1 1/2	1 15/16
KL-CR11	4 1/2	4 9/16	KL-CR51	11/16	1 1/8
KL-CR12	5 5/8	5 3/4	KL-CR52	3 1/16	2 3/4
KL-CR13	2 15/16	3	KL-CR53	2 1/2	2 1/2
KL-CR14	15/16	2 3/4	KL-CR54	2 3/16	2
KL-CR15	3 3/8	4	KL-CR55	1 1/4	2 3/4
KL-CR16	4 9/16	4 9/16	KL-CR56	3 3/16	3 3/16
KL-CR17	4 13/16	7 1/16	KL-CR57	2	1 13/16
KL-CR18	3 7/16	2 13/16	KL-CR58	5 13/16	5 5/8
KL-CR19	11/16	1 5/16	KL-CR59	3 1/8	4
KL-CR20	4 15/16	4 15/16	KL-CR60	2 7/8	4 1/2
KL-CR21	1 1/8	2 1/4	KL-CR61	1 1/16	1/16
KL-CR22	4 5/8	2	KL-CR62	3 3/16	5 1/16
KL-CR23	3 1/4	2 5/16	KL-CR63	3 1/4	4 3/4
KL-CR24	1 3/4	2	KL-CR64	1 1/4	1 5/8
KL-CR25	3 1/2	3 7/8	KL-CR65	3 11/16	5 1/4
KL-CR26	2 13/16	3 3/16	KL-CR66	2 1/16	3
KL-CR27	3 7/8	4	KL-CR67	2 3/8	3 1/8
KL-CR28	2 1/2	2 1/2	KL-CR68	1 1/2	1 7/16
KL-CR29	3 7/8	3	KL-CR69	3 13/16	2 15/16
KL-CR30	3 7/8	4 9/16	KL-CR70	2 5/16	2 1/2
KL-CR31	2 5/8	2 1/4	KL-CR71	2 5/8	2 15/16
KL-CR32	6 1/16	6 1/16	KL-CR72	2 11/16	3
KL-CR33	4 5/8	4 1/2	KL-CR73	1 3/4	1 7/8
KL-CR34	1 11/16	2 3/8	KL-CR74	2 1/4	4 5/16
KL-CR35	3 1/8	3 1/4	KL-CR75	4 3/16	4 7/16
KL-CR36	6 1/16	6 1/16	KL-CR76	2	3 1/16
KL-CR37	2 1/4	2 13/16	KL-CR77	2 3/4	2 7/8
KL-CR38	4 1/4	4	KL-CR78	5 3/8	5 1/2
KL-CR39	2 9/16	2 1/4	KL-CR79	2 1/2	3 1/4
KL-CR40	2 1/4	2 3/8	KL-CR80	3 1/4	3 1/2

<u>CROWN #</u>	<u>PROJECTION</u>	<u>HEIGHT</u>	<u>CROWN #</u>	<u>PROJECTION</u>	<u>HEIGHT</u>
KL-CR81	4	4 3/16	KL-CR120	1 15/16	2 1/8
KL-CR82	2 3/4	5 1/16	KL-CR121	1 13/16	1 11/16
KL-CR83	3 9/16	3 9/16	KL-CR122	2 3/4	3 1/4
KL-CR84	3	3 9/16	KL-CR123	3 11/16	3 11/16
KL-CR85	4	5	KL-CR124	1 1/8	2 5/16
KL-CR86	3 1/2	5 11/16	KL-CR125	3 7/8	4 1/8
KL-CR87	4 3/16	4 3/16	KL-CR126	3 13/16	3 13/16
KL-CR88	1 1/2	1 7/8	KL-CR127	3 5/16	4 3/8
KL-CR89	4 1/4	4 1/4	KL-CR128	2 1/16	2 7/8
KL-CR90	1 7/16	1 13/16	KL-CR129	3 7/8	3 15/16
KL-CR91	1 1/8	1 3/4	KL-CR130	1	1 5/8
KL-CR92	1 5/8	1 15/16	KL-CR131	4 1/8	4 1/2
KL-CR93	3 1/16	3 5/16	KL-CR132	4 1/8	6 3/8
KL-CR94	3/4	1 13/16	KL-CR133	1 7/8	2 1/16
KL-CR95	1 1/8	1 5/8	KL-CR134	1	1 1/4
KL-CR96	2 11/16	3 1/2	KL-CR135	3 1/4	4 5/8
KL-CR97	3 3/8	4 15/16	KL-CR136	5 1/4	3 1/2
KL-CR98	1 7/8	1 11/16	KL-CR137	2 5/8	3 1/2
KL-CR99	1 11/16	1 15/16	KL-CR138	3	3
KL-CR100	1 11/16	1 7/16	LK-CR139	4 3/8	4 3/16
KL-CR101	3 1/2	5 9/16	KL-CR140	1 11/16	1 13/16
KL-CR102	5 7/8	5 7/8	KL-CR141	1 7/8	2 11/16
KL-CR103	2 7/16	3 1/16	KL-CR142	3 13/16	5
KL-CR104	1 13/16	2 9/16	KL-CR143	2 15/16	3 9/16
KL-CR105	1 1/8	1 1/4	KL-CR144	2 5/16	3 9/16
KL-CR106	1 3/8	2	KL-CR145	5 1/4	5
KL-CR107	1 1/2	1 13/16	KL-CR146	1 7/8	2
KL-CR108	1	1 3/16	KL-CR147	2 9/16	2 7/16
KL-CR109	1 13/16	1 3/4	KL-CR148	3	5 7/16
KL-CR110	2 3/4	4 1/8	KL-CR149	1 3/4	2 15/16
KL-CR111	15/16	1 1/8	KL-CR150	1 7/8	3 15/16
KL-CR112	2 5/16	2 7/16	KL-CR151	2 5/8	2 5/8
KL-CR113	3 1/8	3 1/8	KL-CR152	1 7/8	1 7/8
KL-CR114	2 1/4	2 5/8	KL-CR153	2 5/8	3 1/4
KL-CR115	2 1/2	2 13/16	KL-CR154	3	3
KL-CR116	4 3/8	6 1/4	KL-CR155	4 1/4	4 13/16
KL-CR117	1 9/16	2 11/16	KL-CR156	3 15/16	3 15/16
KL-CR118	1 15/16	4 15/16	KL-CR157	2 11/16	2 1/4
KL-CR119	2 7/16	2 15/16	KL-CR158	2 15/16	2 15/16

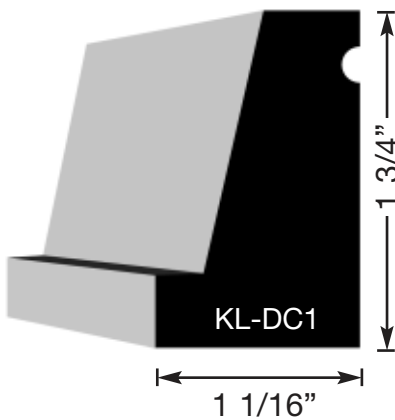
# *Dentil Block*

---



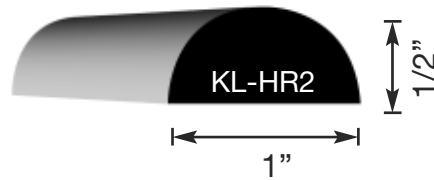
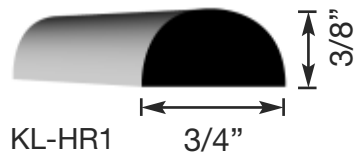
# *Drip Cap*

---



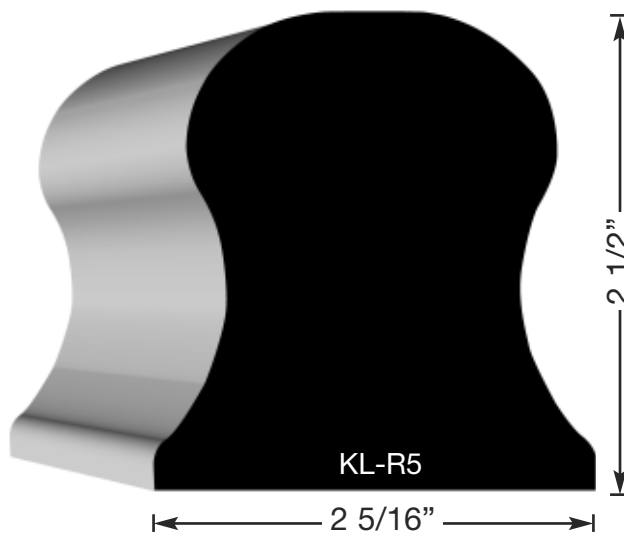
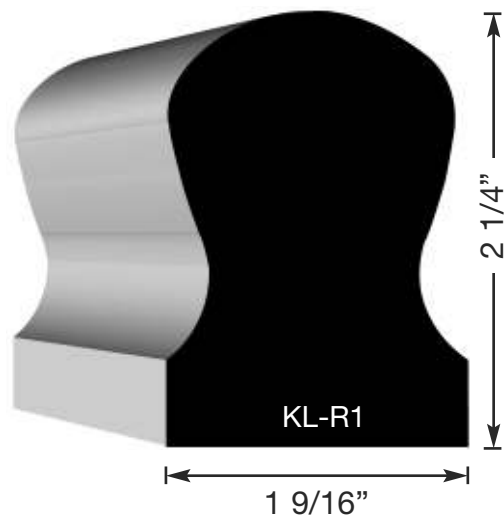
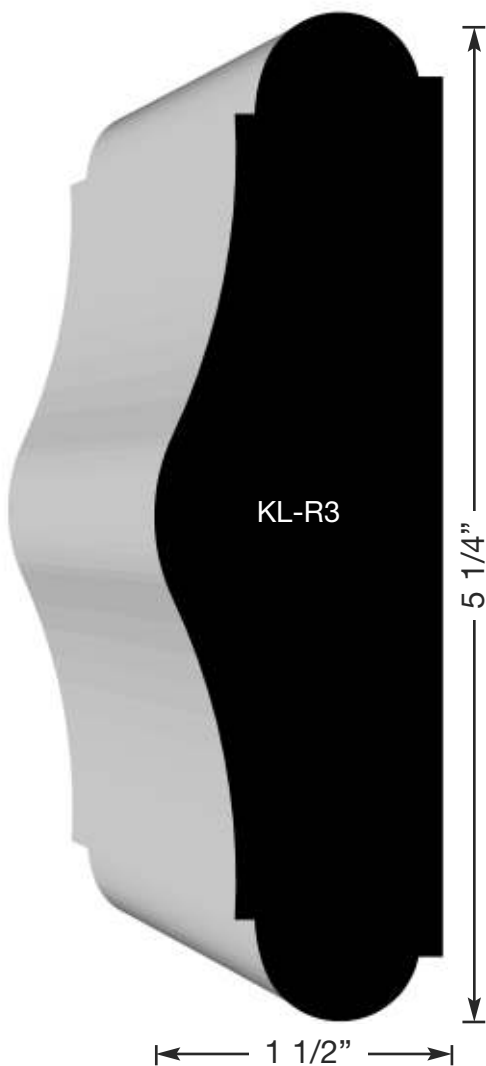
# Half Rounds

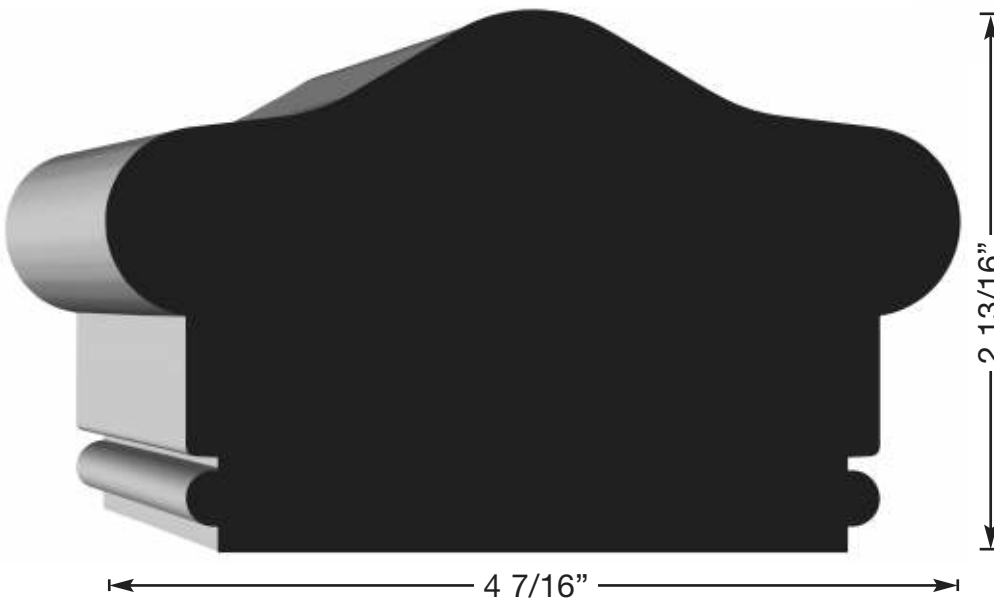
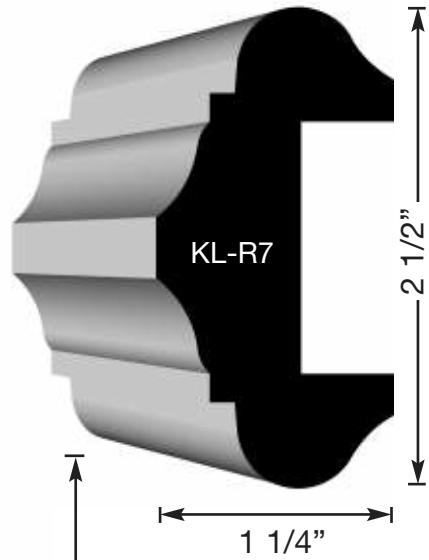
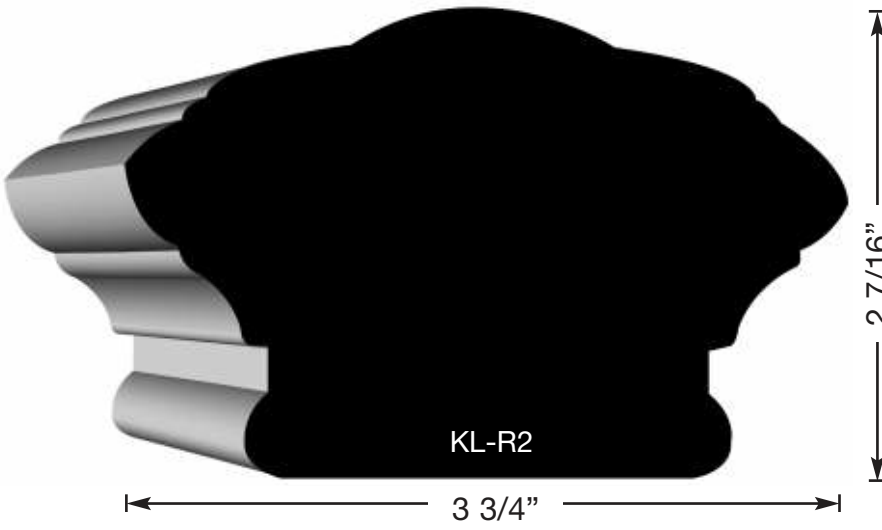
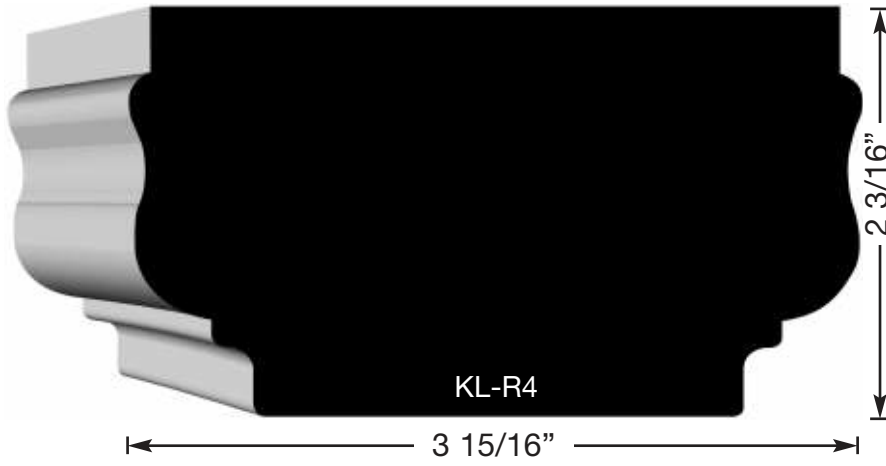
---



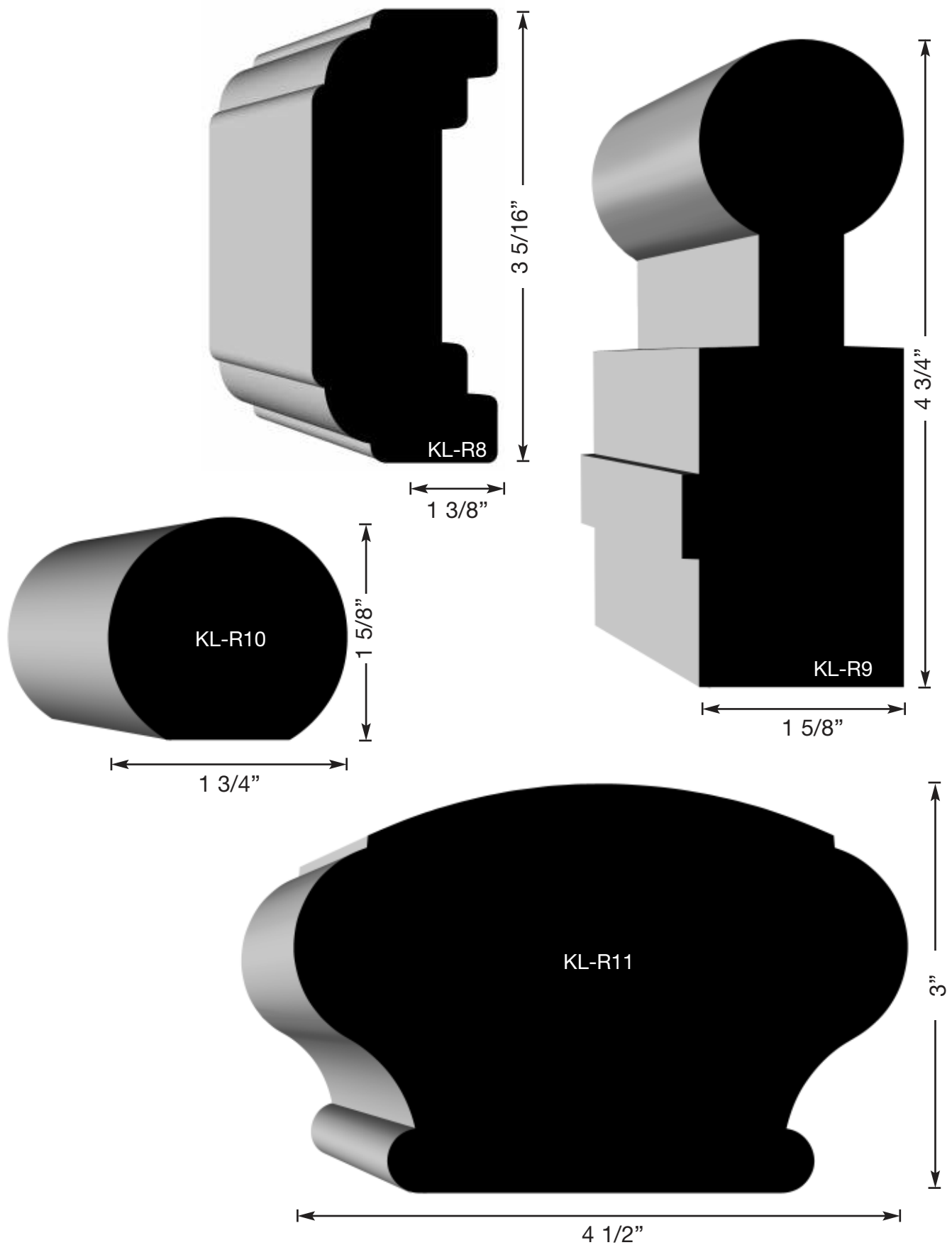
# Hand Railings

---

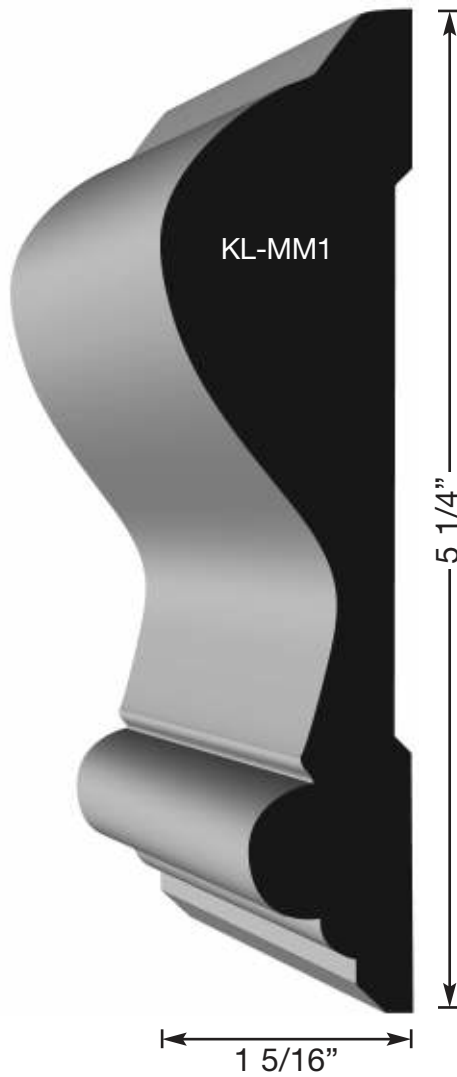




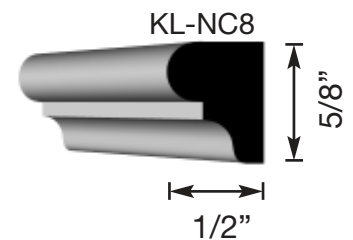
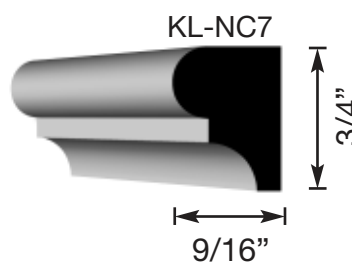
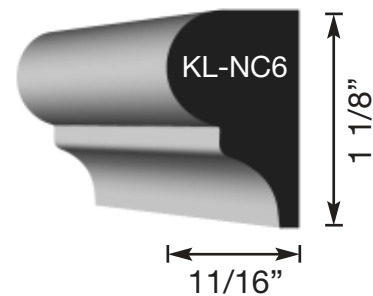
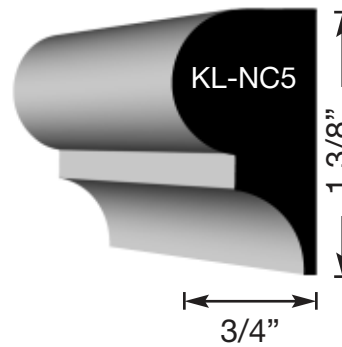
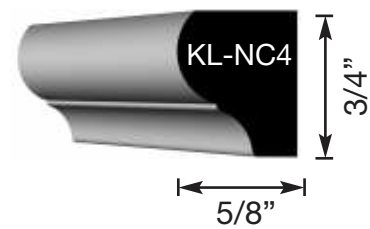
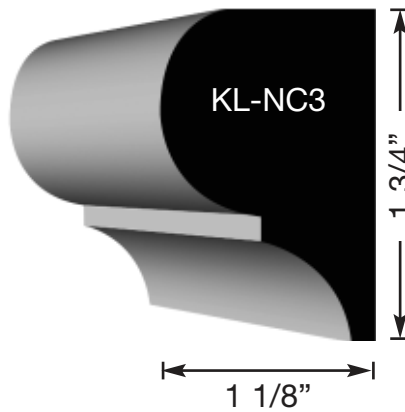
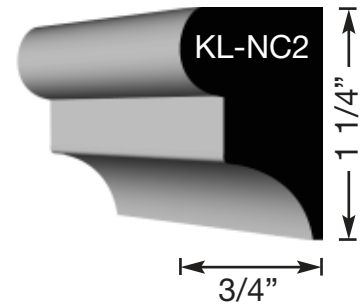
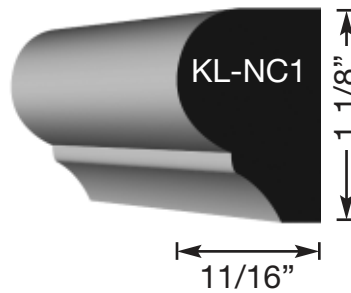
# Hand Railings





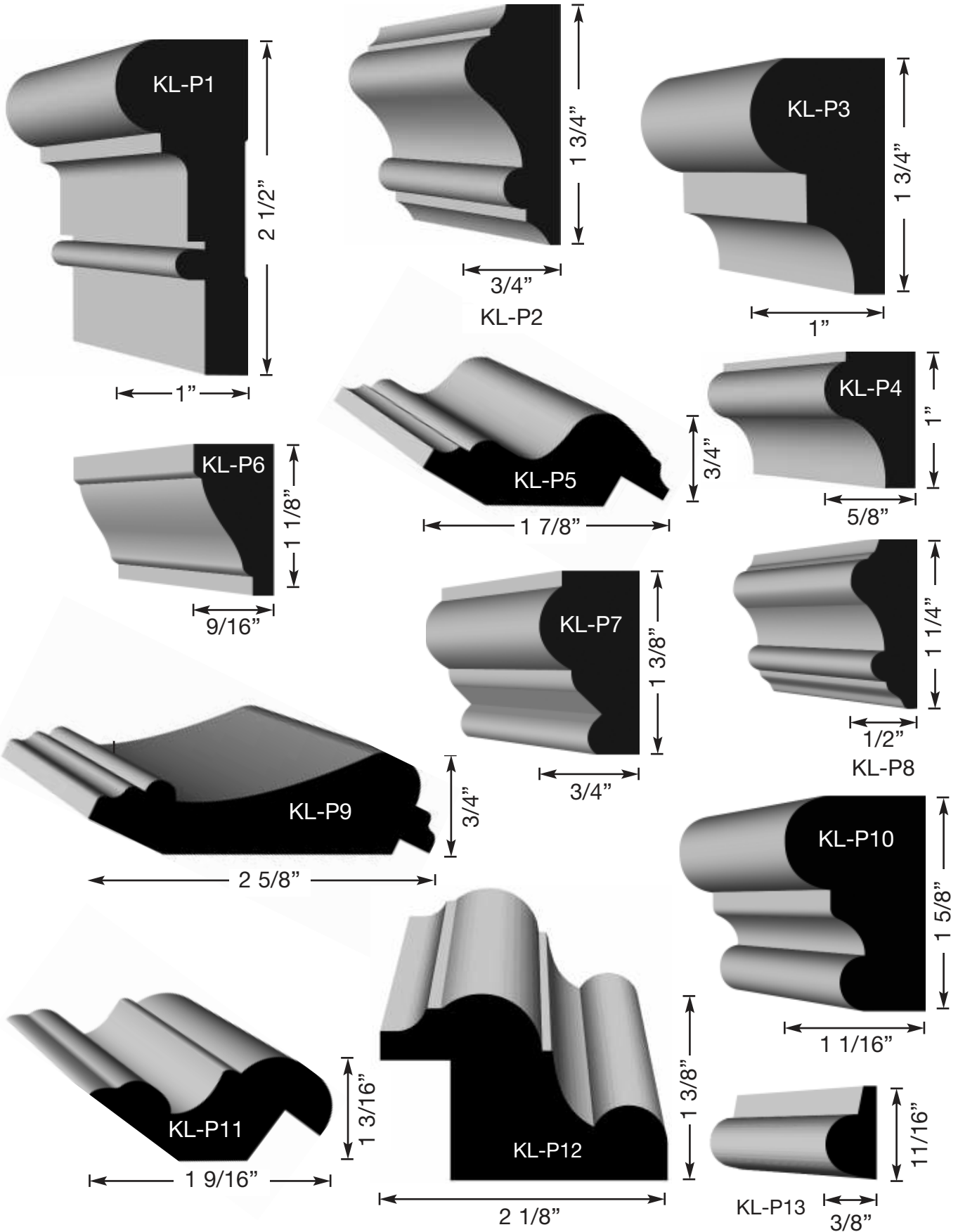


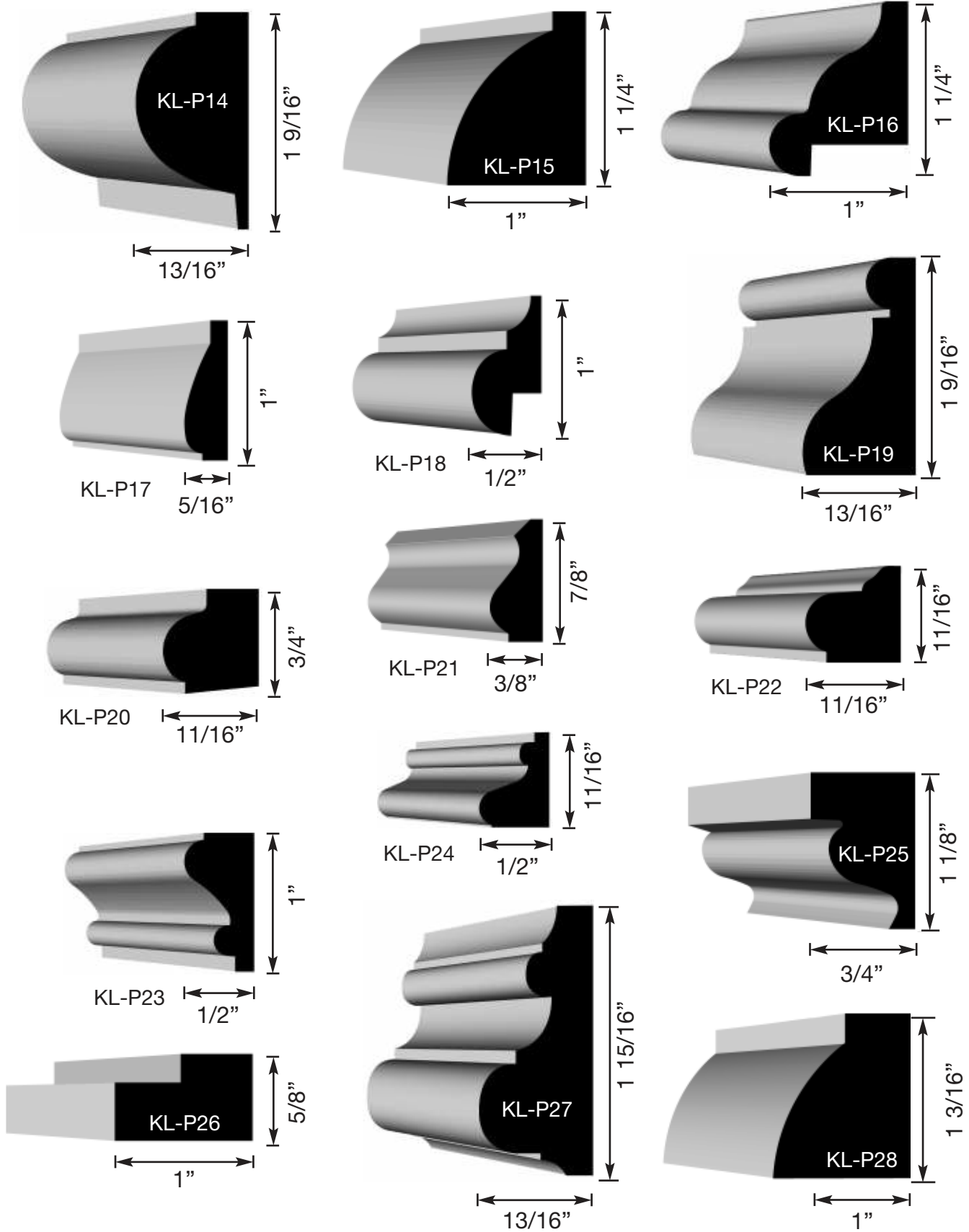
## Nose & Cove



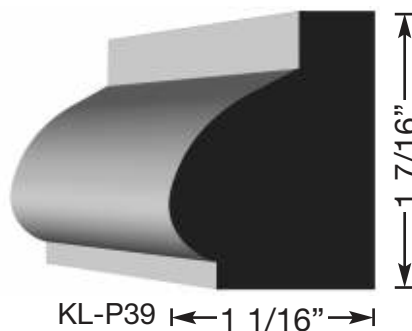
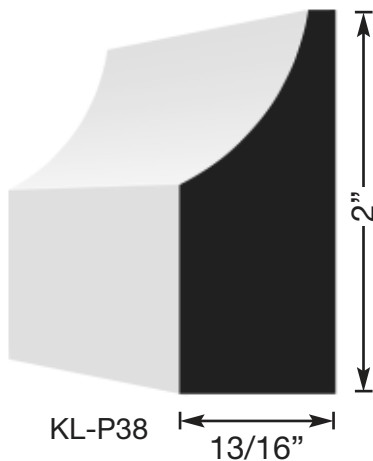
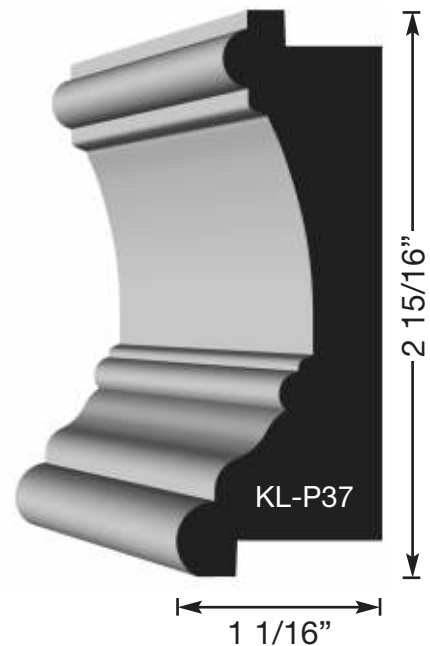
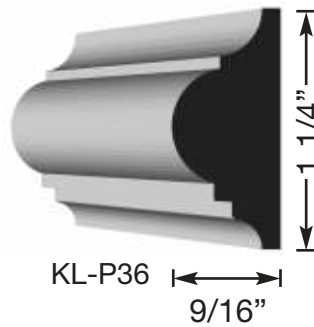
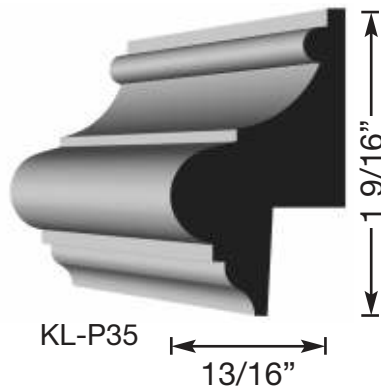
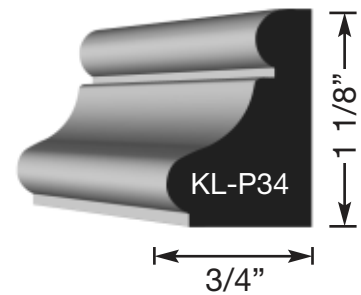
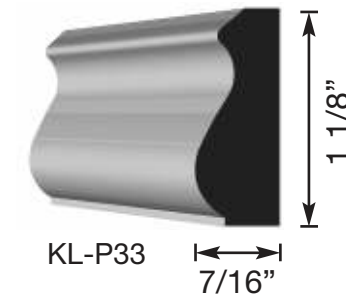
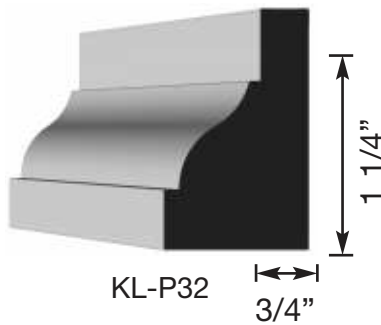
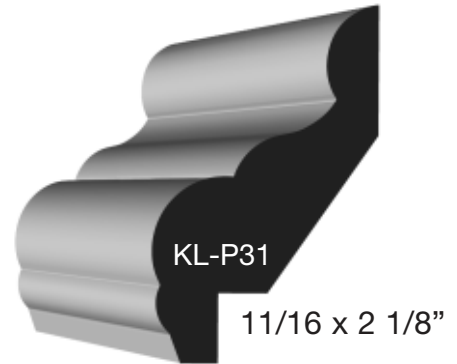
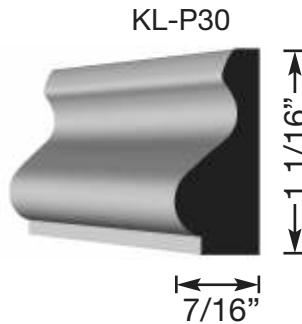
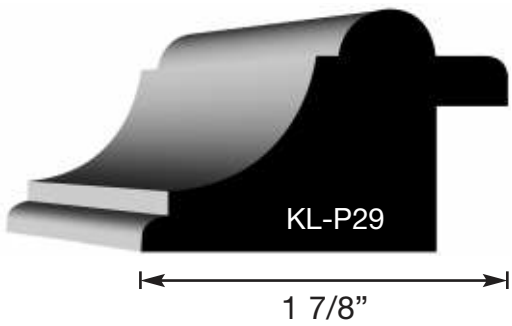
*All Kleet mouldings are shaped from the finest woods available to aid in helping you get the results you expect.*

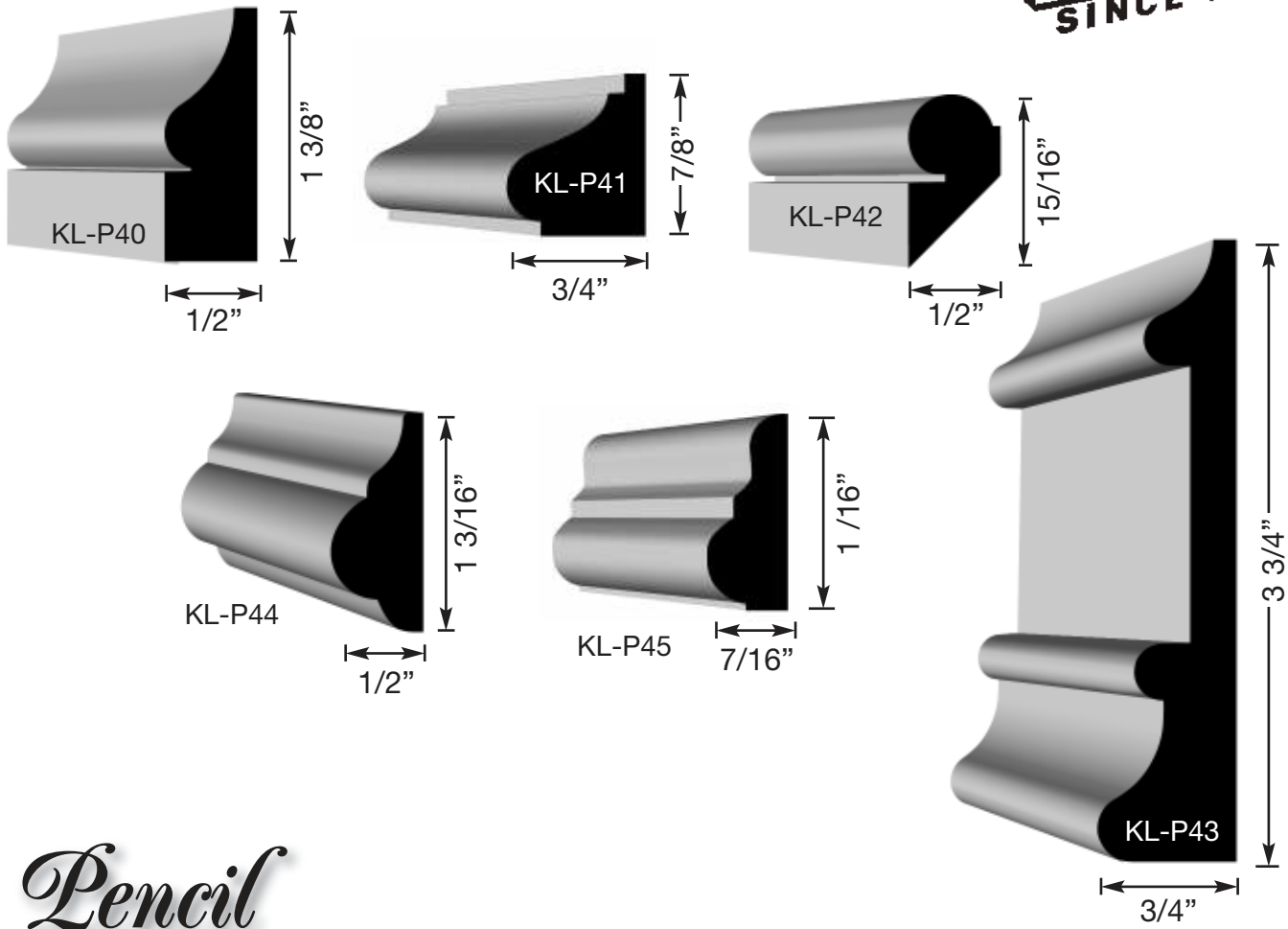
# Panel



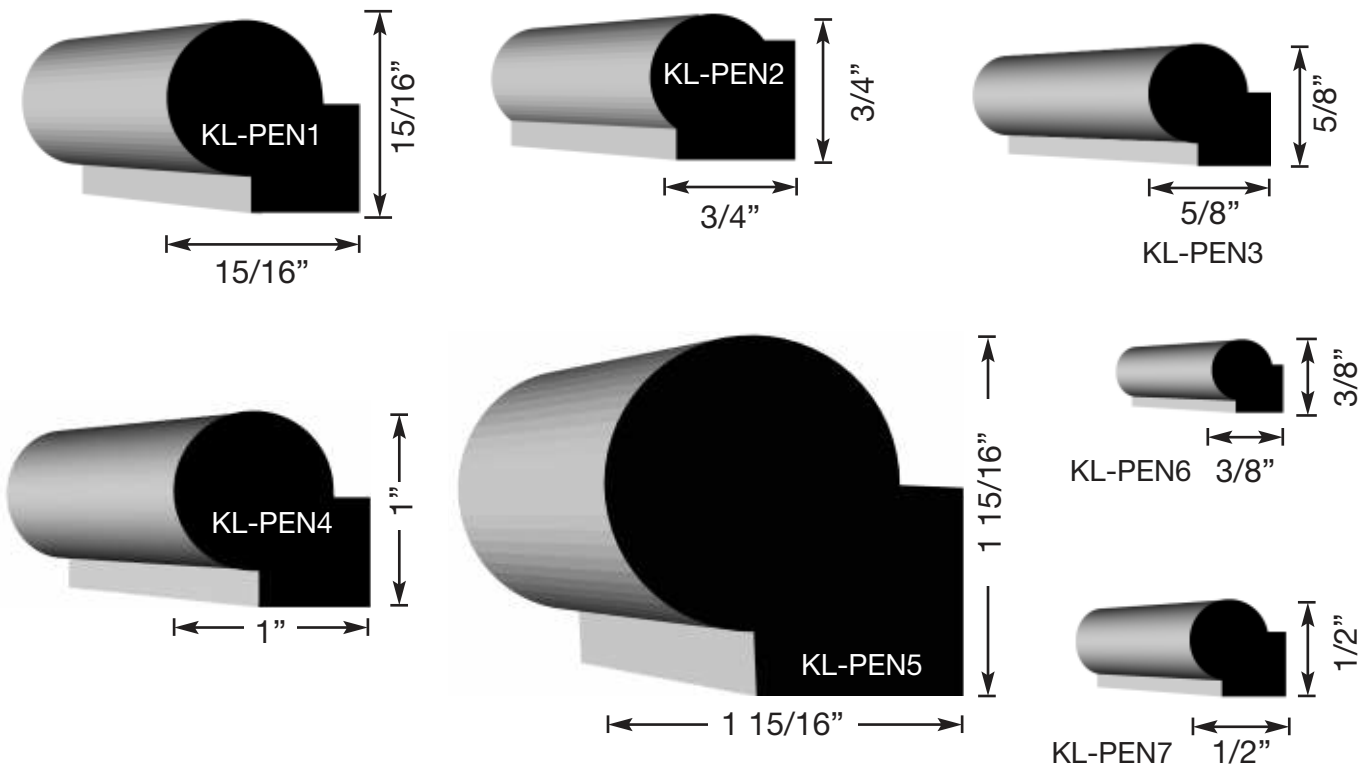


# Panel

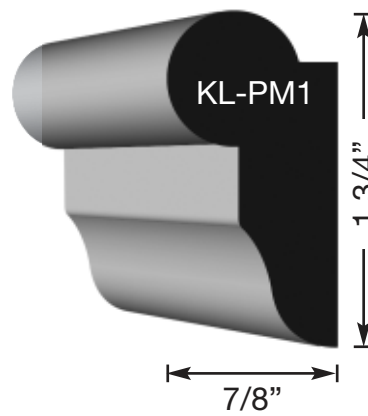




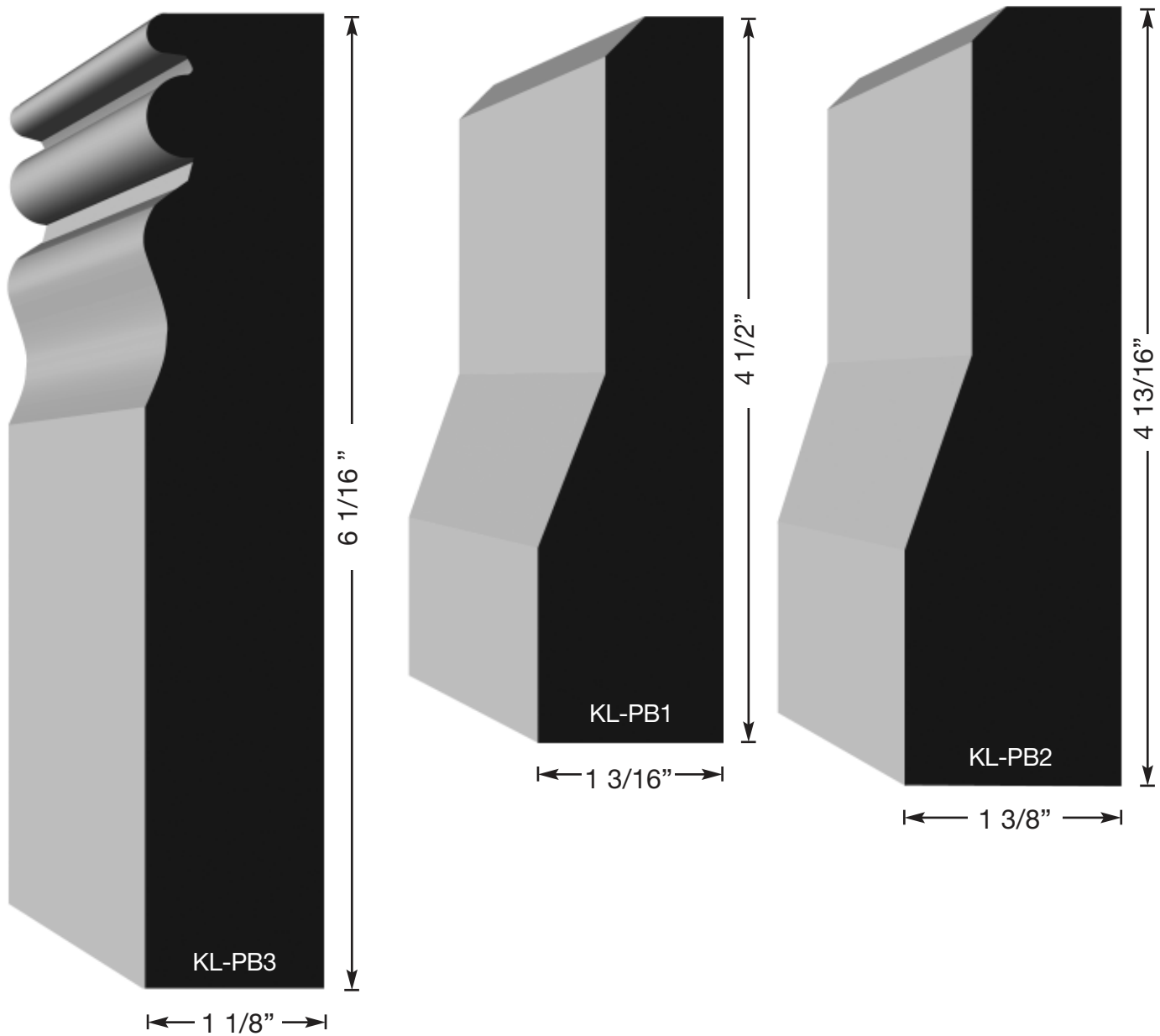
*Pencil*



# *Picture Moulding*

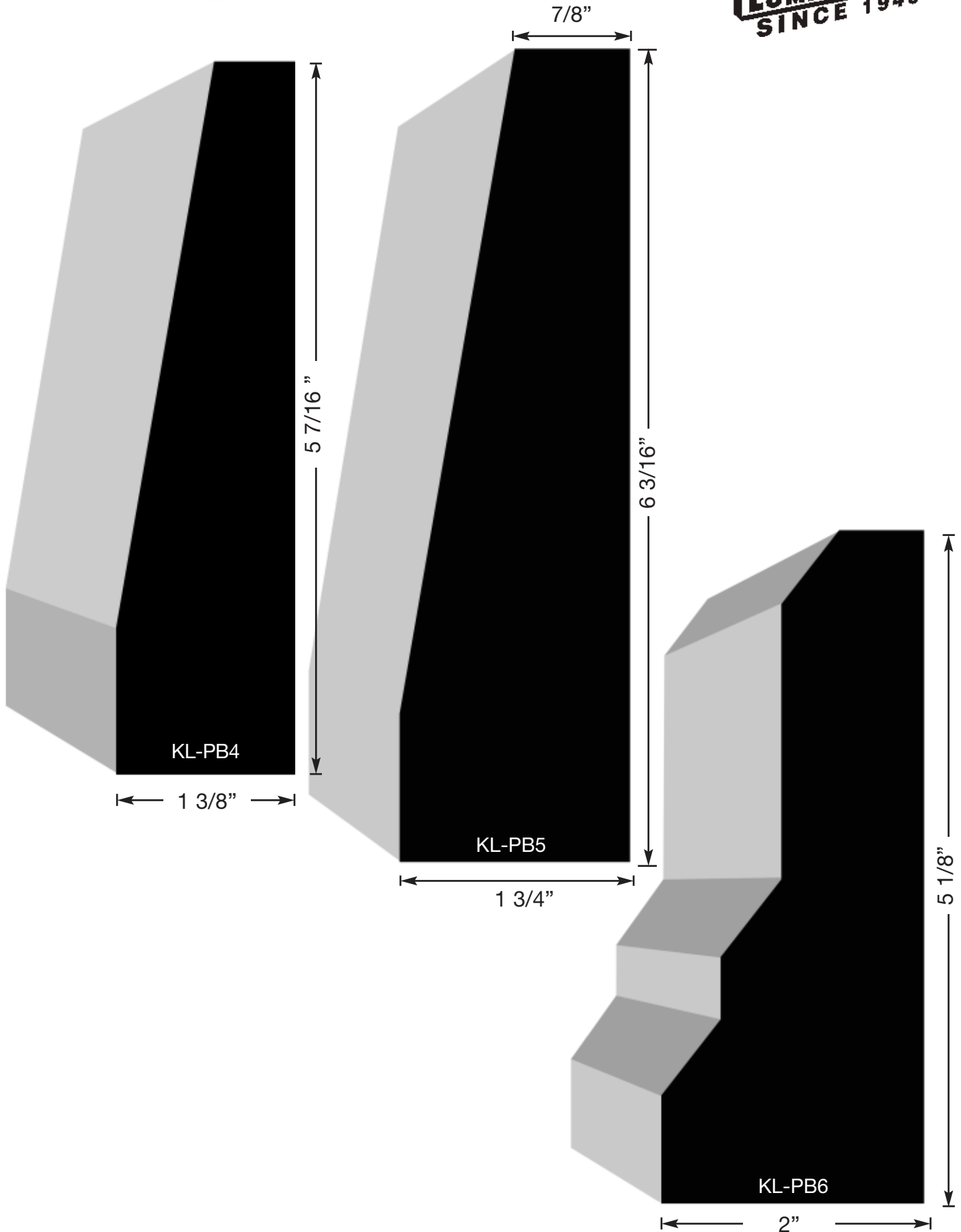


# *Plinth Block*



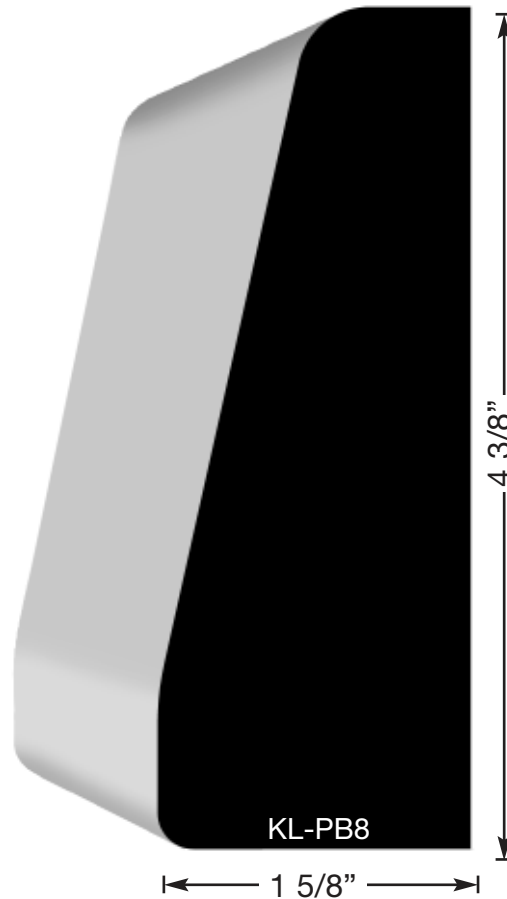
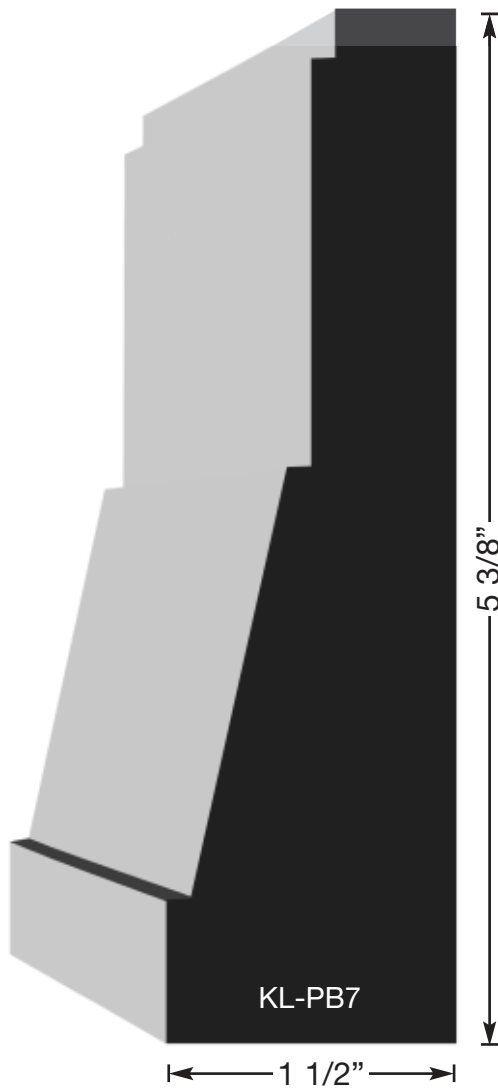
# *Plinth Block*

**KLEET**  
LUMBER CO., INC.  
SINCE 1946



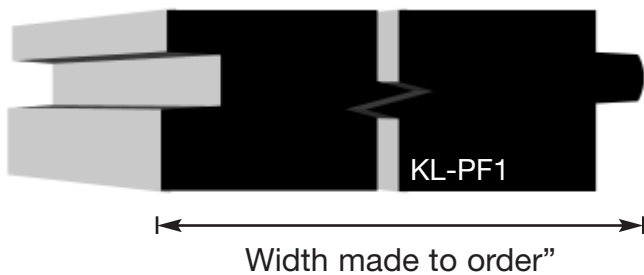
# *Plinth Block*

---



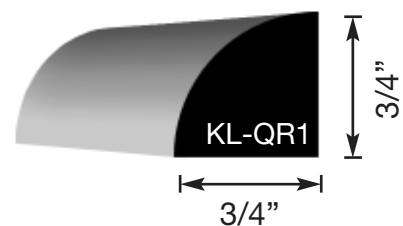
# *Porch Floor*

---



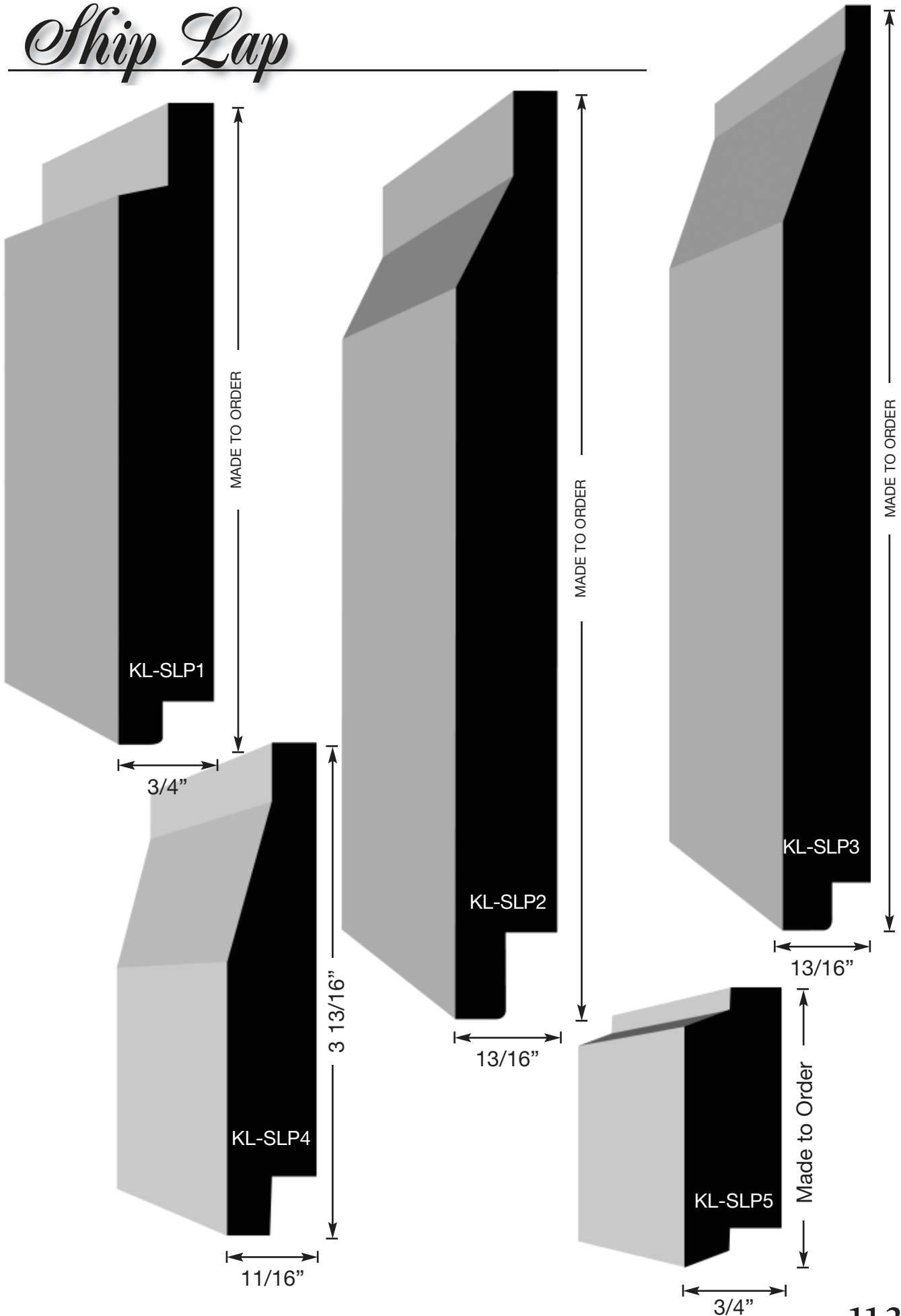
# *Quarter Round*

---

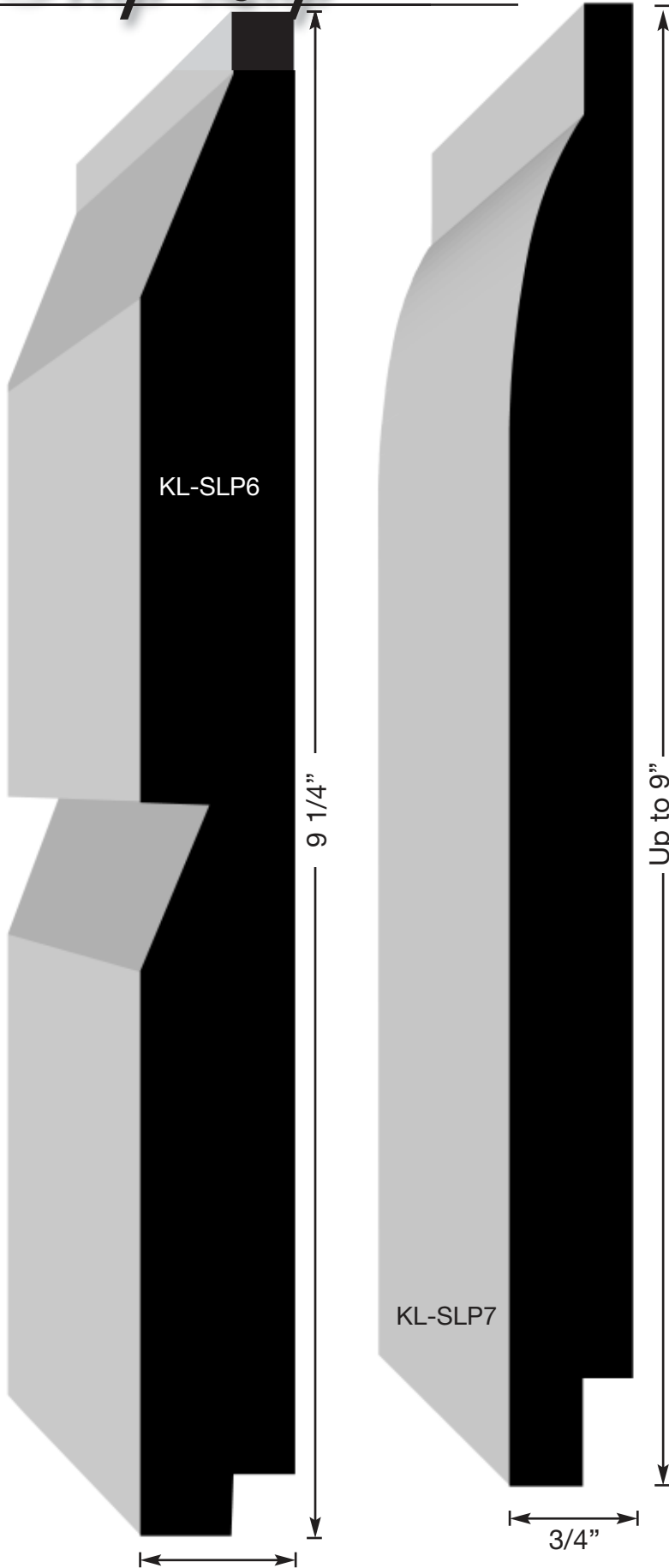




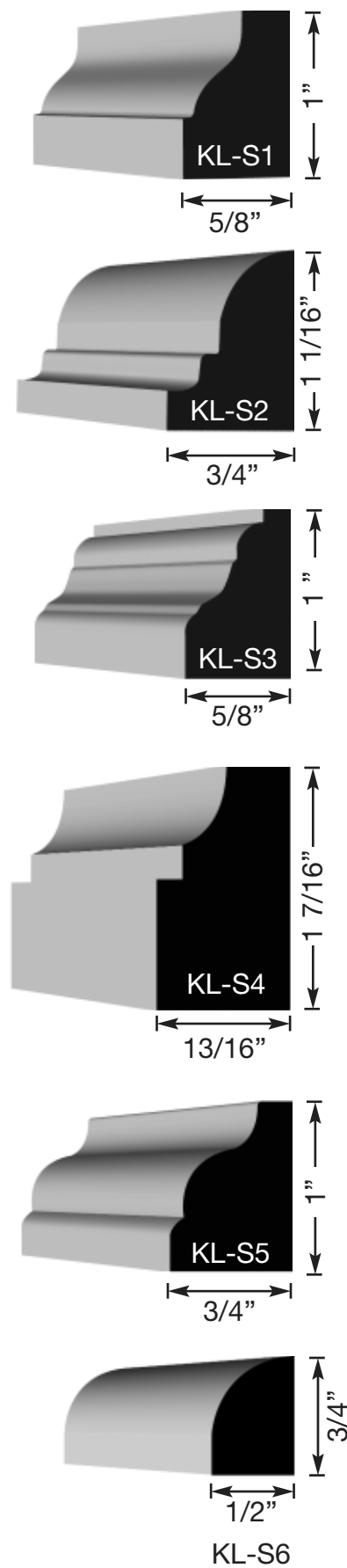
# Ship Lap



# Ship Lap

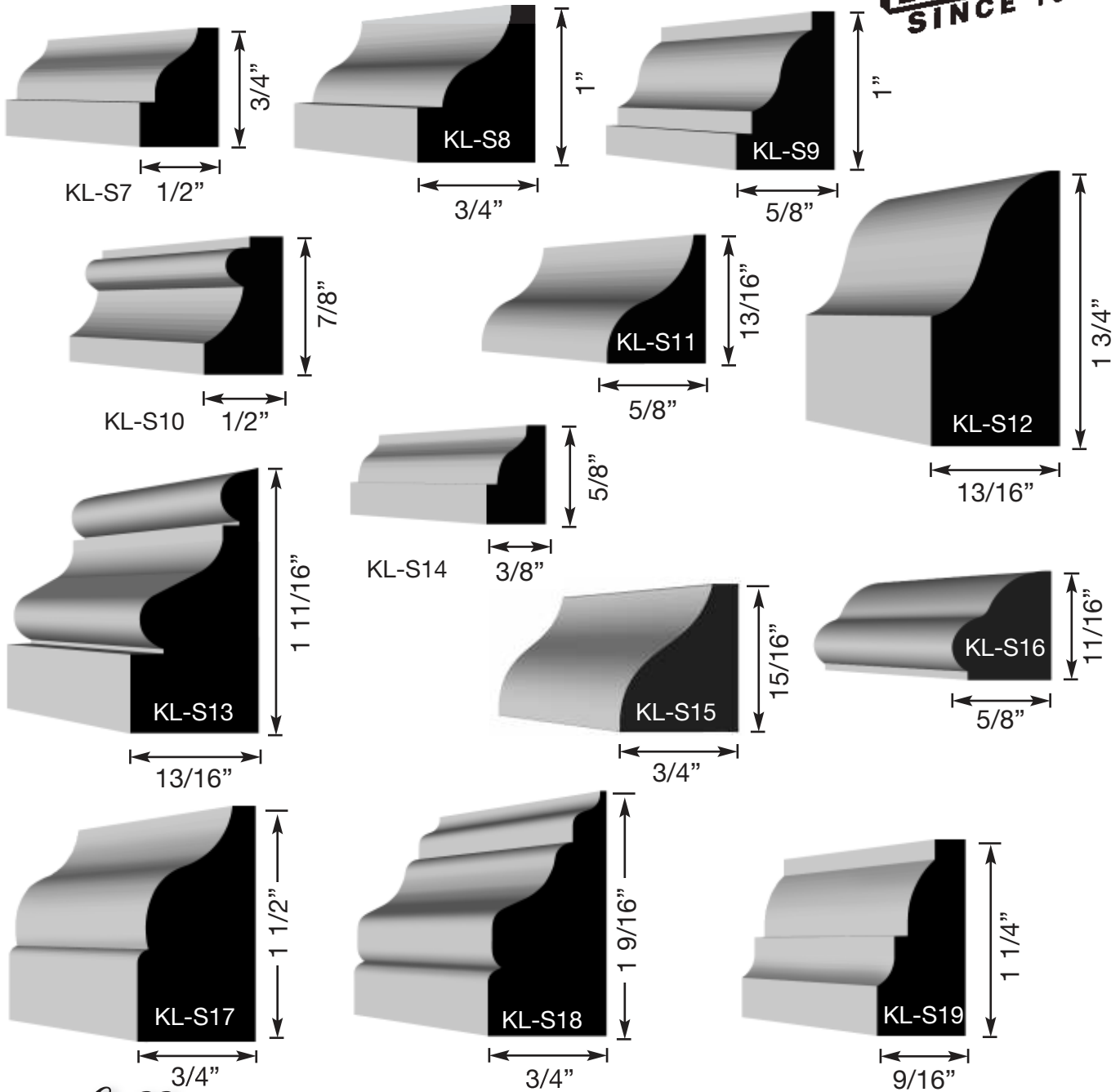


# Shoe

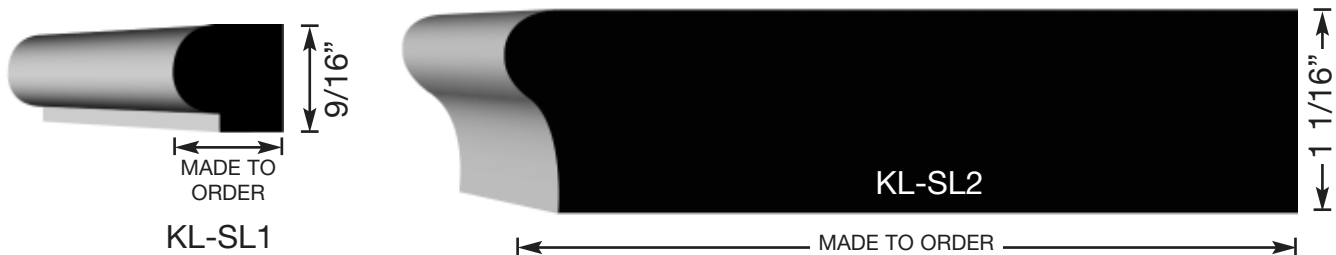


# Shoe

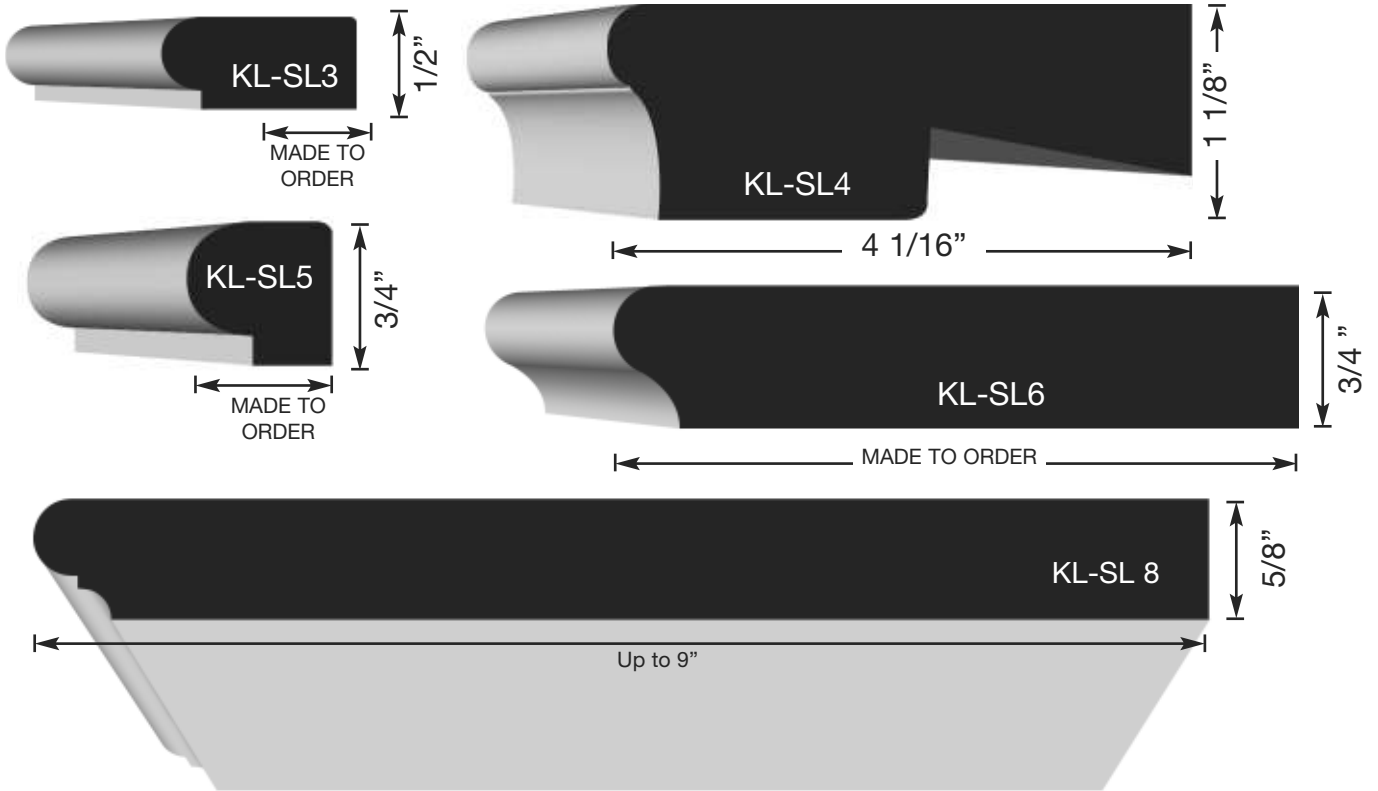
**KLEET**  
LUMBER CO., INC.  
SINCE 1946



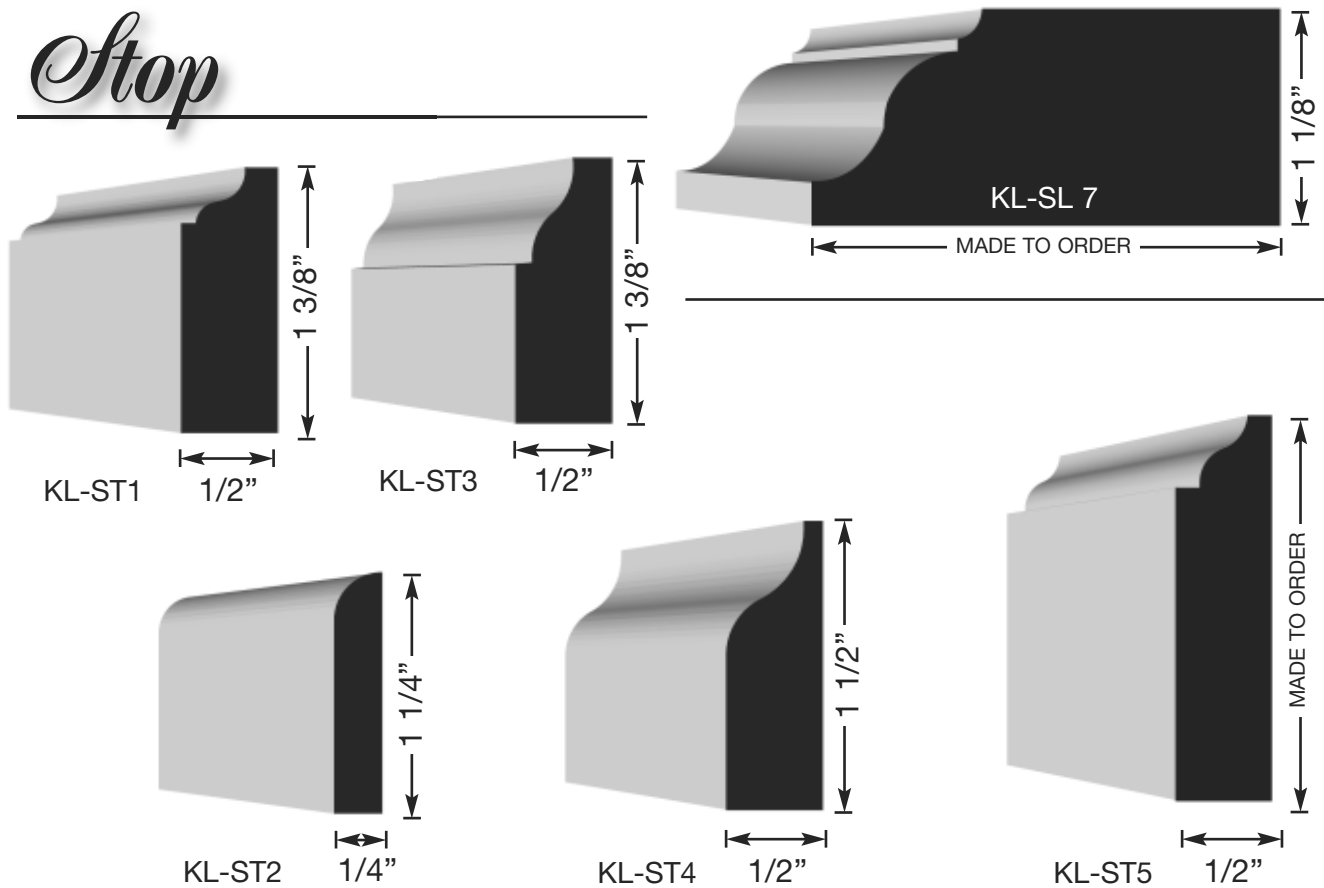
# Sill



# Sill

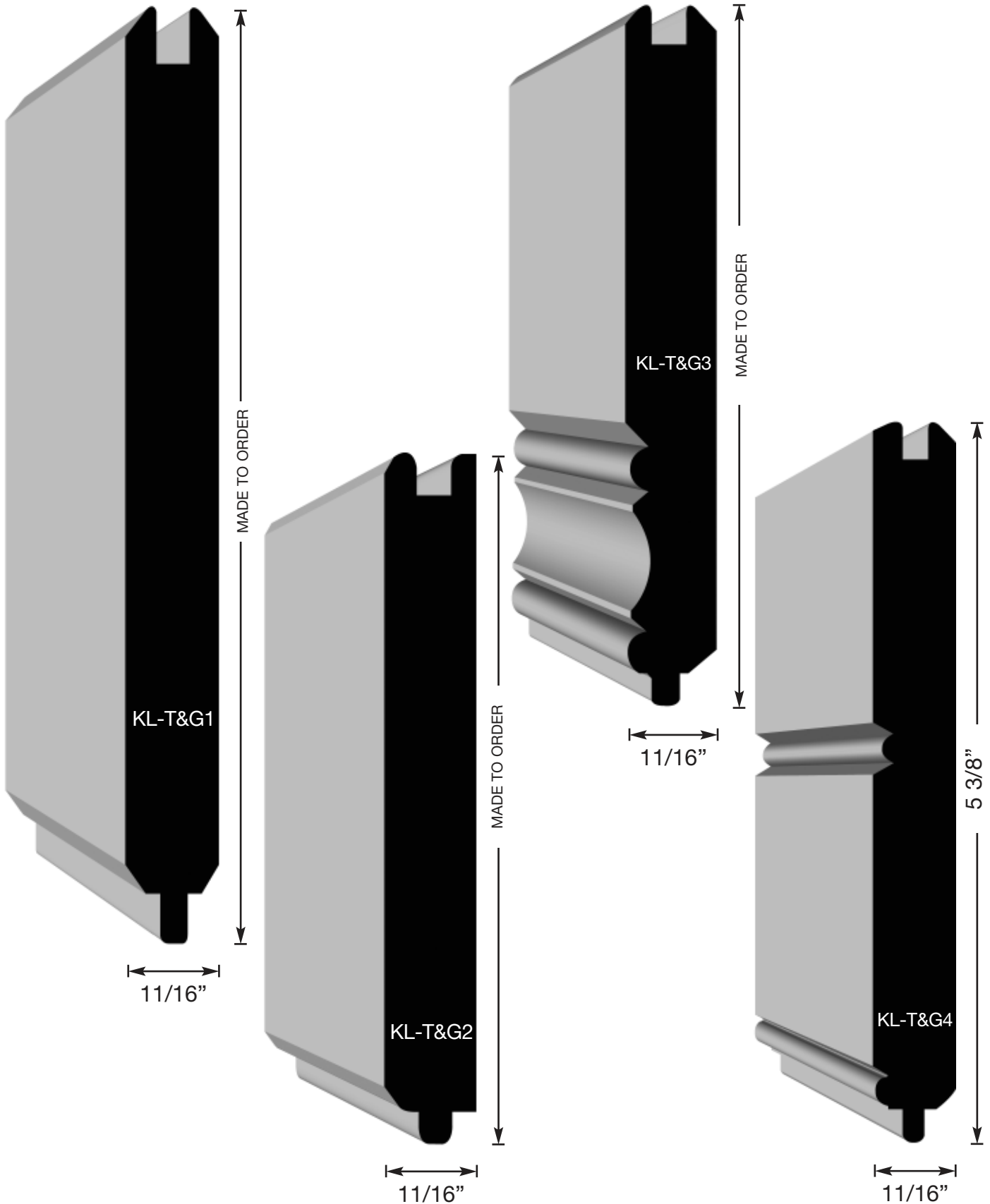


# Stop

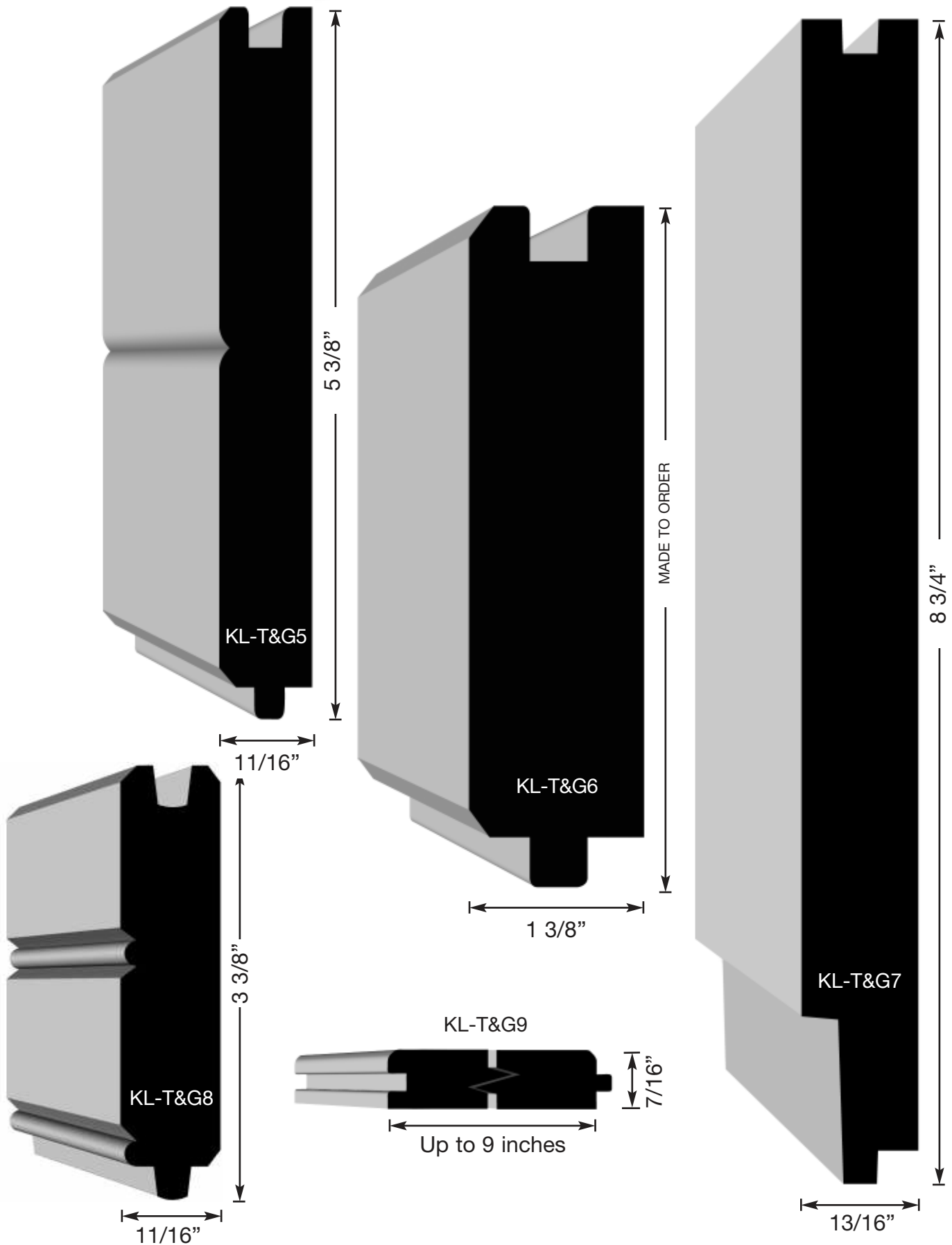


# Tongue & Groove

**KLEET**  
LUMBER CO., INC.  
SINCE 1946



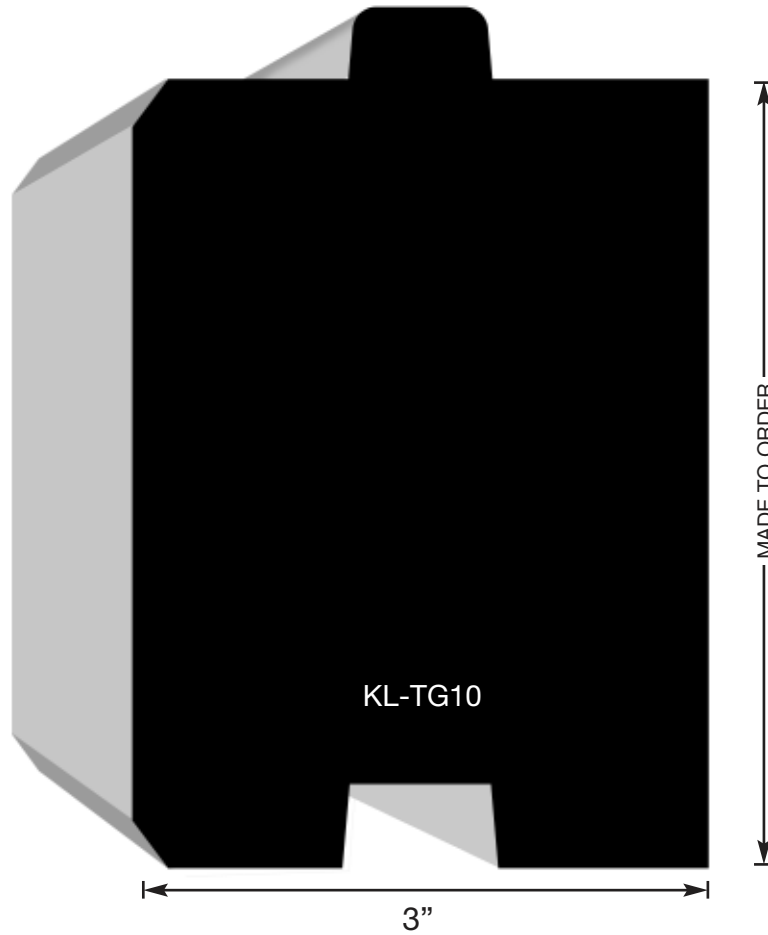
# Tongue & Groove



# Tongue & Groove

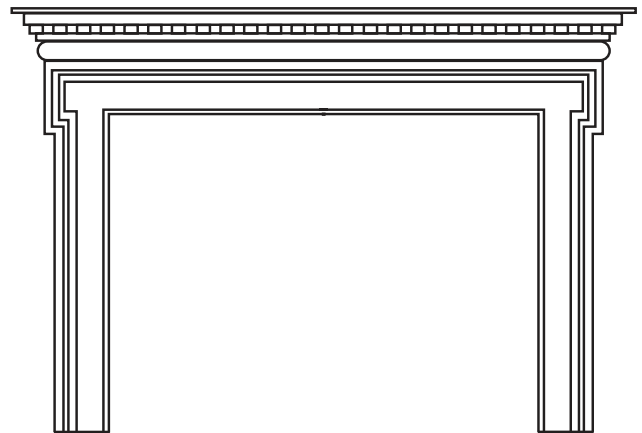
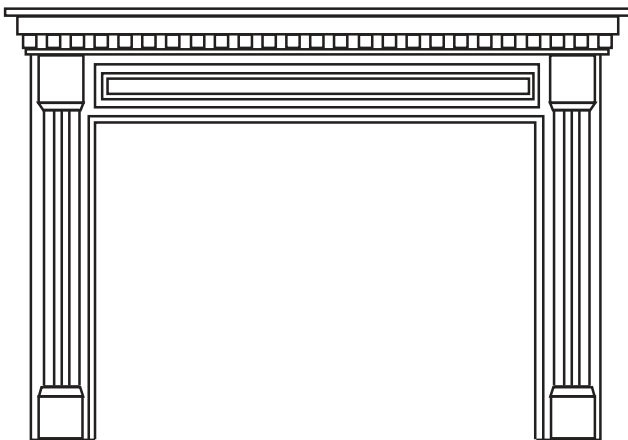
---

**KLEET**  
LUMBER CO., INC.  
SINCE 1946



# Mantles

---



**All mantles are made to order**

# *Columns & Rails*

---

