



Northstar Surfaces

Bring Nature Home

STAINLESS STEEL SINKS
DOUBLE BOWL DROP-IN



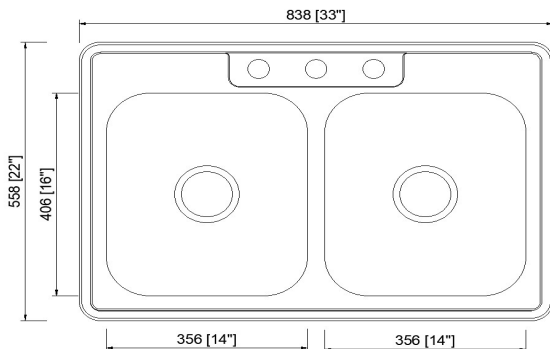
DROP-IN 50/50
(Available in 20G)

This equal double bowl drop-in sink is manufactured from 20 gauge 304 stainless steel with a brushed satin finish, center drain placement.

Sized to fit in nearly any space, its rectangular shape and generous 8" deep basin accommodates a range of cookware and dishes with ease.

With sound deaden pads that make for a quiet washing experience to a beautiful brushed satin finish that minimizes water spots and small scratches, this sink works overtime to ensure your satisfaction. Strainer and stainless steel grid available as an option.

Line Drawing:



Northstar Surfaces - Ohio
2233 Westbrooke Drive, Columbus, OH 43228
Phone: 614-541-9155

SPECIFICATIONS:

Overall Size: 33" x 22"

Bowl Size: 14" x 16" and 14" x 16"

Depth: 8" / 8"

Thickness: 20 gauge

Drain Opening: 3-1/2"

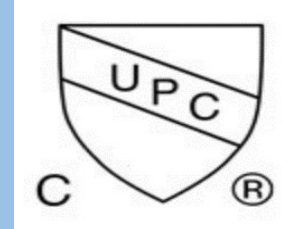
Installation type: drop-in

Finish: Satin Brushed

Stainless Steel Grade: 304

Minimum Cabinet Size: 33"

Full spray sides and bottom with bottom pads.



These sinks are listed by IAPMO, as meeting the applicable requirements of the Uniform Plumbing Code, and National Plumbing Code of Canada.

ASME A112.19.3

CSA B45.4

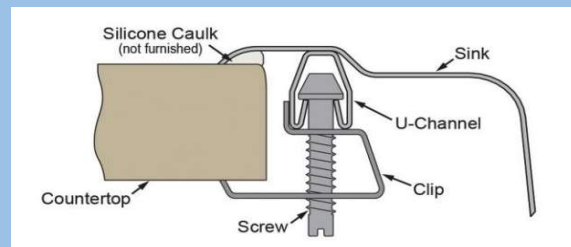
Installation Profile:

(Download DXF file from www.northstarsurfaces.com)

Cutout Dimensions for Drop-in Installation:

32-3/8" x 21-3/8" with 1-1/2" corner radius

822mm x 543mm with 38mm corner radius



Northstar Surfaces - Indiana
7345 West 200 North, Greenfield, IN 46410
Phone: 463-777-6779

www.northstarsurfaces.com