

ELECTRICAL SYMBOL LEGEND

GENERAL NOTES

DRAWING INDEX

Table with columns for symbols and descriptions. Includes sections for CIRCUIT RELATED, LIGHTING, POWER OUTLETS, TELEPHONE/DATA, EQUIPMENT, and REMODEL.

- 1. THE CONTRACTOR SHALL VISIT THE SITE INCLUDING ALL AREAS INDICATED ON THE DRAWINGS. HE SHALL THOROUGHLY FAMILIARIZE HIMSELF WITH THE EXISTING CONDITIONS AND BY SUBMITTING A BID, ACCEPTS THE CONDITIONS UNDER WHICH HE SHALL BE REQUIRED TO PERFORM HIS WORK.

- 22. ALL 120V POWER REQUIRED FOR THE FUNCTIONALITY OF ALL LOW VOLTAGE / TECHNOLOGY SYSTEMS SHALL BE A DEDICATED CIRCUIT AND ON EMERGENCY POWER WHEN AVAILABLE. CABLING CONTRACTOR SHALL COORDINATE ALL 120V POWER REQUIREMENTS AND LOCATIONS WITH ELECTRICAL CONTRACTOR FOR ALL EQUIPMENT.

Table with columns SHEET and DESCRIPTION. Lists sheets E0.00 through E0.01 and their corresponding descriptions.

UTILITY PENETRATIONS NOTE

UTILITY PENETRATIONS OF ANY KIND IN FIRE AND SMOKE PARTITIONS AND CEILING ASSEMBLIES SHALL BE FIRESTOPPED AND SEALED WITH AN APPROVED UL LISTED SYSTEM OR MATERIAL.

EQUIPMENT ANCHORAGE NOTES

MEP COMPONENT ANCHORAGE NOTES: ALL MECHANICAL, PLUMBING AND ELECTRICAL COMPONENTS SHALL BE ANCHORED AND INSTALLED PER THE DETAILS ON THE DSA APPROVED CONSTRUCTION DOCUMENTS.

DIAGRAMMATIC NOTE: DRAWINGS ARE DIAGRAMMATIC AND DO NOT INDICATE DETAILED CONDUIT ROUTING OR LENGTHS REQUIRED FOR COMPLETE INSTALLATION.

DEVICE LOCATIONS NOTE: THE LOCATION OF ALL ELECTRICAL DEVICES AND EQUIPMENT SHALL BE COORDINATED WITH THE ARCHITECTURAL ELEVATIONS, DETAILS, OR SECTIONS PRIOR TO INSTALLATION.

APPLICABLE CODES

PARTIAL LIST OF APPLICABLE CODES AS OF JANUARY 1, 2020: 2022 CALIFORNIA ADMINISTRATIVE CODE (CAC), PART 1, TITLE 24 CCR * 2022 CALIFORNIA BUILDING CODE (CBC), PART 2, TITLE 24 CCR

STRUCTURAL NOTE

UNLESS SPECIFICALLY SHOWN ON THESE PLANS, STRUCTURAL MEMBERS SHALL NOT BE CUT, DRILLED, OR NOTCHED WITHOUT PRIOR WRITTEN AUTHORIZATION FROM THE STRUCTURAL ENGINEER AND THE DIVISION OF THE STATE ARCHITECT.

MOUNTING OVER OBSTRUCTION DETAIL: A technical drawing showing a person standing next to a wall-mounted device. Dimensions include 24" MAX, 48" MAX, 34" MAX, 46" MAX SIDE APPROACH, 44" MAX FRONT APPROACH WITH KNEE AND TOE CLEARANCE, and 15" MIN.

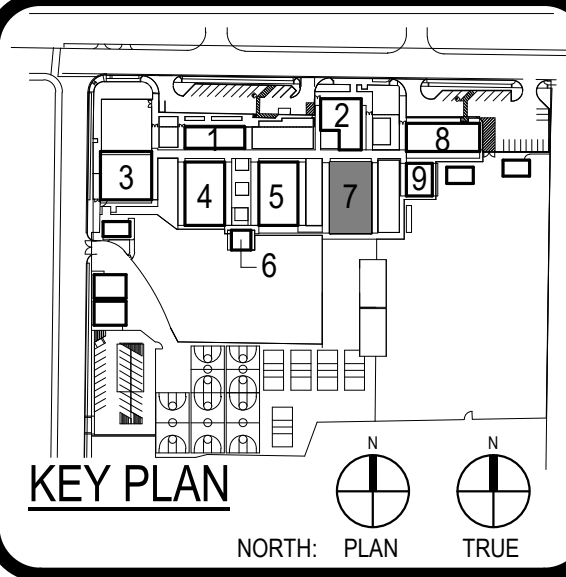
UL LISTINGS NOTE: ALL ELECTRICAL MATERIALS AND EQUIPMENT SHALL BE NEW AND SHALL BE LISTED BY UNDERWRITER'S LABORATORIES (UL) AND BEAR THEIR LABEL OR LISTED AND CERTIFIED BY A NATIONALLY RECOGNIZED TESTING AUTHORITY.

IDENTIFICATION STAMP DIV. OF THE STATE ARCHITECT APP: 03-123048 INC. REVIEWED FOR DATE: 10/05/2023

ARCHITECT PRK Architects, Inc. 8163 Rochester Avenue, Suite 100 Rancho Cucamonga, California 91709

CONSULTANT LEAF ENGINEERS 8163 Rochester Avenue, Suite 100 Rancho Cucamonga, CA 91730

PROJECT ADDRESS: 614 E. Yuma Ave. West Covina, CA 91790 DSA BACKCHECK DSA APPL. NO. 03-123048 DSA FILE NO. 19-110



Consultant REGISTERED PROFESSIONAL ENGINEER No. E2376 State of California ELECTRICAL ENGINEER

Architect WEST COVINA USD CLIENT DATE 02/22/2023 PROJECT NUMBER 220117

Table with columns No., Description, Date. Includes a section for REVISIONS.

DSA BACKCHECK ELECTRICAL SYMBOLS, NOTES, AND ABBREVIATIONS

STATE OF CALIFORNIA
Indoor Lighting CALIFORNIA ENERGY COMMISSION
 CERTIFICATE OF COMPLIANCE NRCC-LTI-E
 Project Name: Walnut Grove IS - Science Lab Mod Report Page: (Page 3 of 7)
 Project Address: 614 E. Vine Ave. West Covina, CA. 91790 Date Prepared: 2023-02-15T18:06:29-05:00

A. GENERAL INFORMATION			
01 Project Location (city)	West Covina	04 Total Conditioned Floor Area (ft ²)	2,700
02 Climate Zone	9	05 Total Unconditioned Floor Area (ft ²)	0
03 Occupancy Types Within Project (select all that apply):		06 # of Stories (Habitable Above Grade)	1
<input checked="" type="checkbox"/> Classroom			

B. PROJECT SCOPE
 This table includes any lighting systems that are within the scope of the permit application and are demonstrating compliance using the prescriptive path outlined in 140.6 / 170.2(e) or 141.0(b)2 / 180.2(b)4 for alterations.

Scope of Work	Conditioned Spaces	Unconditioned Spaces		
01	02	03	04	05
My Project Consists of (check all that apply):	Calculation Method	Area (ft ²)	Calculation Method	Area (ft ²)
<input type="checkbox"/> New Lighting System	N/A	0	N/A	0
<input type="checkbox"/> New Lighting System - Parking Garage	N/A	0	N/A	0
<input checked="" type="checkbox"/> Altered Lighting System	Area Category Method	2700	N/A	0
Total Area of Work (ft²)		2700		

Registration Number: Generated Date/Time: Documentation Software: Energy Code Ace
 CA Building Energy Efficiency Standards - 2022 Nonresidential Compliance Report Version: 2022.0.000 Compliance ID: 89511-0223-0002
 Schema Version: rev 20220101 Report Generated: 2023-02-15 15:06:32

STATE OF CALIFORNIA
Indoor Lighting CALIFORNIA ENERGY COMMISSION
 CERTIFICATE OF COMPLIANCE NRCC-LTI-E
 Project Name: Walnut Grove IS - Science Lab Mod Report Page: (Page 4 of 7)
 Project Address: 614 E. Vine Ave. West Covina, CA. 91790 Date Prepared: 2023-02-15T18:06:29-05:00

H. INDOOR LIGHTING CONTROLS (Not including PAFs)

Area Level Controls	05	06	07	08	09	10	11	12
Area Description	Complete Building or Area Category Primary Function Area	Manual Area Controls 130.1(a) / 160.5(b)4A	Multi-Level Controls 130.1(b) / 160.5(b)4B	Shut-Off Controls 130.1(c) // 160.5(b)4C	Primary/Sky lit Daylighting 130.1(d) / 160.5(b)4D	Secondary Daylighting 130.1(d) / 160.5(b)4D	Interlocked Systems 140.6(a)1 / 170.2(e)2A	Field Inspector
Classroom	Classroom, Lecture, or Training Vocational	Readily Accessible	Dimmer	Occupancy Sensor	Included	NA: Not daylight zone	No	<input type="checkbox"/> Pass <input type="checkbox"/> Fail
13 Plan Sheet Showing Daylit Zones: E3.02								

I. LIGHTING POWER ALLOWANCE: COMPLETE BUILDING OR AREA CATEGORY METHODS
 Each area complying using the Complete Building or Area Category Methods per 140.6(b) are included in this table. Column 06 indicates if additional lighting power allowances per 140.6(c) or adjustments per 140.6(a) are being used.

Conditioned Spaces	01	02	03	04	05	06
Area Description	Complete Building or Area Category Primary Function Area	Allowed Density (W/ft ²)	Area (ft ²)	Allowed Wattage (Watts)	Additional Allowance / Adjustment Area Category	PAF
Classroom	Classroom, Lecture, or Training Vocational	0.6	2,700	1,620	No	No
TOTALS:			2,700	1,620	See Tables J, or P for detail	

J. ADDITIONAL ALLOWANCE: AREA CATEGORY METHOD QUALIFYING LIGHTING SYSTEM
 This section does not apply to this project.

Registration Number: Generated Date/Time: Documentation Software: Energy Code Ace
 CA Building Energy Efficiency Standards - 2022 Nonresidential Compliance Report Version: 2022.0.000 Compliance ID: 89511-0223-0002
 Schema Version: rev 20220101 Report Generated: 2023-02-15 15:06:32

STATE OF CALIFORNIA
Indoor Lighting CALIFORNIA ENERGY COMMISSION
 CERTIFICATE OF COMPLIANCE NRCC-LTI-E
 Project Name: Walnut Grove IS - Science Lab Mod Report Page: (Page 7 of 7)
 Project Address: 614 E. Vine Ave. West Covina, CA. 91790 Date Prepared: 2023-02-15T18:06:29-05:00

DOCUMENTATION AUTHOR'S DECLARATION STATEMENT
 I certify that this Certificate of Compliance documentation is accurate and complete.

Documentation Author Name: Nicole Oropeza	Documentation Author Signature: <i>Nicole Oropeza</i>
Company: LEAF Engineers	Signature Date: 02-15-2023
Address: 8163 Rochester Avenue	CEA/HERS Certification Identification (if applicable):
City/State/Zip: Rancho Cucamonga, CA. 91730	Phone: 909-987-0909

RESPONSIBLE PERSON'S DECLARATION STATEMENT
 I certify the following under penalty of perjury, under the laws of the State of California:
 1. The information provided on this Certificate of Compliance is true and correct.
 2. I am eligible under Division 3 of the Business and Professions Code to accept responsibility for the building design or system design identified on this Certificate of Compliance (responsible designer)
 3. The energy features and performance specifications, materials, components, and manufactured devices for the building design or system design identified on this Certificate of Compliance conform to the requirements of Title 24, Part 1, and Part of the California Code of Regulations.
 4. The building design features or system design features identified on this Certificate of Compliance are consistent with the information provided on other applicable compliance documents, worksheets, calculations, plans and specifications submitted to the enforcement agency for approval with this building permit application.
 5. I will ensure that a completed signed copy of this Certificate of Compliance shall be made available with the building permit(s) issued for the building, and made available to the enforcement agency for all applicable inspections. I understand that a completed signed copy of this Certificate of Compliance is required to be included with the documentation the building provides to the building owner at occupancy.

Responsible Designer Name: Ronald Datta Cruz	Responsible Designer Signature: <i>Ronald Datta Cruz</i>
Company: LEAF Engineers	Date Signed: 02-15-2023
Address: 8163 Rochester Avenue	License: E 23576
City/State/Zip: Rancho Cucamonga, CA. 91730	Phone: 909-987-0909

Registration Number: Generated Date/Time: Documentation Software: Energy Code Ace
 CA Building Energy Efficiency Standards - 2022 Nonresidential Compliance Report Version: 2022.0.000 Compliance ID: 89511-0223-0002
 Schema Version: rev 20220101 Report Generated: 2023-02-15 15:06:32

STATE OF CALIFORNIA
Indoor Lighting CALIFORNIA ENERGY COMMISSION
 CERTIFICATE OF COMPLIANCE NRCC-LTI-E
 Project Name: Walnut Grove IS - Science Lab Mod Report Page: (Page 2 of 7)
 Project Address: 614 E. Vine Ave. West Covina, CA. 91790 Date Prepared: 2023-02-15T18:06:29-05:00

C. COMPLIANCE RESULTS
 If any cell on this table says "DOES NOT COMPLY" or "COMPLIES with Exceptional Conditions" refer to Table D, for guidance.

Lighting in conditioned and unconditioned spaces must not be combined for compliance per 140.6(b)1 / 170.2(e)	Allowed Lighting Power per 140.6(b) / 170.2(e) (Watts)					Adjusted Lighting Power per 140.6(a) / 170.2(e) (Watts)			Compliance Results
	01	02	03	04	05	06	07	08	
	Complete Building 140.6(c)1	Area Category 140.6(c)2 / 170.2(e)4	Area Category Additional 140.6(c)5 / 170.2(e)4Av (+)	Tailored 140.6(c)3 / 170.2(e)4B (-)	=	Total Allowed (Watts)	Total Designed (Watts)	Adjustments PAF Lighting Control Credits 140.6(a)2 / 170.2(e)1B (-)	
(See Table I)	(See Table I)	(See Table J)	(See Table K)	=	1,620	1,080		=	1080
Conditioned				=				=	
Unconditioned				=				=	
Controls Compliance (See Table H for Details)									COMPLIES
Rated Power Reduction Compliance (See Table Q for Details)									COMPLIES

D. EXCEPTIONAL CONDITIONS
 This table is auto-filled with uneditable comments because of selections made or data entered in tables throughout the form.

E. ADDITIONAL REMARKS
 This table includes remarks made by the permit applicant to the Authority Having Jurisdiction.

Registration Number: Generated Date/Time: Documentation Software: Energy Code Ace
 CA Building Energy Efficiency Standards - 2022 Nonresidential Compliance Report Version: 2022.0.000 Compliance ID: 89511-0223-0002
 Schema Version: rev 20220101 Report Generated: 2023-02-15 15:06:32

STATE OF CALIFORNIA
Indoor Lighting CALIFORNIA ENERGY COMMISSION
 CERTIFICATE OF COMPLIANCE NRCC-LTI-E
 Project Name: Walnut Grove IS - Science Lab Mod Report Page: (Page 5 of 7)
 Project Address: 614 E. Vine Ave. West Covina, CA. 91790 Date Prepared: 2023-02-15T18:06:29-05:00

K. TAILORED METHOD GENERAL LIGHTING POWER ALLOWANCE
 This section does not apply to this project.

L. ADDITIONAL LIGHTING ALLOWANCE: TAILORED WALL DISPLAY
 This section does not apply to this project.

M. ADDITIONAL LIGHTING ALLOWANCE: TAILORED FLOOR AND TASK LIGHTING
 This section does not apply to this project.

N. ADDITIONAL LIGHTING ALLOWANCE: TAILORED DECORATIVE /SPECIAL EFFECTS
 This section does not apply to this project.

O. ADDITIONAL LIGHTING ALLOWANCE: TAILORED VERY VALUABLE MERCHANDISE
 This section does not apply to this project.

P. POWER ADJUSTMENT: LIGHTING CONTROL CREDIT (POWER ADJUSTMENT FACTOR (PAF))
 This section does not apply to this project.

Q. RATED POWER REDUCTION COMPLIANCE FOR ONE-FOR-ONE ALTERATIONS
 This section does not apply to this project.

R. 80% LIGHTING POWER FOR ALL ALTERATIONS - CONTROLS EXCEPTIONS
 This section does not apply to this project.

Registration Number: Generated Date/Time: Documentation Software: Energy Code Ace
 CA Building Energy Efficiency Standards - 2022 Nonresidential Compliance Report Version: 2022.0.000 Compliance ID: 89511-0223-0002
 Schema Version: rev 20220101 Report Generated: 2023-02-15 15:06:32

STATE OF CALIFORNIA
Indoor Lighting CALIFORNIA ENERGY COMMISSION
 CERTIFICATE OF COMPLIANCE NRCC-LTI-E
 Project Name: Walnut Grove IS - Science Lab Mod Report Page: (Page 6 of 7)
 Project Address: 614 E. Vine Ave. West Covina, CA. 91790 Date Prepared: 2023-02-15T18:06:29-05:00

F. INDOOR LIGHTING FIXTURE SCHEDULE
 This table includes all planned permanent and portable lighting other than dwelling unit/motel room lighting. Multifamily dwelling unit and hotel/motel room lighting is documented in Table T. If using Table T to document lighting in multifamily common use areas providing shared provisions for living, eating, cooking or sanitation, those luminaires are not included here.

Designed Wattage: Conditioned Spaces									
01	02	03	04	05	06	07	08	09	10
Name or Item Tag	Complete Luminaire Description	Modular (Track) Fixture	Small Aperture & Color Change	Watts per luminaire ²	How is Wattage determined	Total Number of Luminaires	Excluded per 140.6(a)3 / 170.2(e)2C	Design Watts	Field Inspector
FX-A	2x4 Troffer	No	NA	30	Mfr. Spec	36	No	1,080	<input type="checkbox"/> Pass <input type="checkbox"/> Fail
Total Designed Watts: CONDITIONED SPACES								1,080	

²FOOTNOTE: Design Watts for small aperture and color changing luminaires which qualify per 140.6(a)4B / 170.2(e)2D is adjusted to be 75%/80% of their rated wattage. Table F automatically makes this adjustment, the permit applicant should enter full rated wattage in column 05.
³Authority Having Jurisdiction may ask for Luminaire cut sheets to confirm wattage used for compliance per 130.0(c) / 160.5(b). Wattage used must be the maximum rated for the luminaire, not the lamp.

G. MODULAR LIGHTING SYSTEMS
 This section does not apply to this project.

H. INDOOR LIGHTING CONTROLS (Not including PAFs)
 This table includes lighting controls for conditioned and unconditioned spaces.

Building Level Controls		
01	02	03
Mandatory Demand Response 130.1(c)	Shut-off controls 130.1(c) / 160.5(b)4C	Field Inspector
NA < 4,000W subject to multilevel	See Area/Space Level Controls	<input type="checkbox"/> Pass <input type="checkbox"/> Fail

Registration Number: Generated Date/Time: Documentation Software: Energy Code Ace
 CA Building Energy Efficiency Standards - 2022 Nonresidential Compliance Report Version: 2022.0.000 Compliance ID: 89511-0223-0002
 Schema Version: rev 20220101 Report Generated: 2023-02-15 15:06:32

STATE OF CALIFORNIA
Indoor Lighting CALIFORNIA ENERGY COMMISSION
 CERTIFICATE OF COMPLIANCE NRCC-LTI-E
 Project Name: Walnut Grove IS - Science Lab Mod Report Page: (Page 6 of 7)
 Project Address: 614 E. Vine Ave. West Covina, CA. 91790 Date Prepared: 2023-02-15T18:06:29-05:00

S. DAYLIGHT DESIGN POWER ADJUSTMENT FACTOR (PAF)
 This section does not apply to this project.

T. DWELLING UNIT LIGHTING
 This section does not apply to this project.

U. DECLARATION OF REQUIRED CERTIFICATES OF INSTALLATION
 Form/Title
 NRCC-LTI-E - Must be submitted for all buildings.

V. DECLARATION OF REQUIRED CERTIFICATES OF ACCEPTANCE
 Form/Title
 Systems/Spaces To Be Field Verified
 NRCA-LTI-02-A - Must be submitted for occupancy sensors and automatic time switch controls.
 NRCA-LTI-03-A - Must be submitted for automatic daylight controls.

Registration Number: Generated Date/Time: Documentation Software: Energy Code Ace
 CA Building Energy Efficiency Standards - 2022 Nonresidential Compliance Report Version: 2022.0.000 Compliance ID: 89511-0223-0002
 Schema Version: rev 20220101 Report Generated: 2023-02-15 15:06:32

IDENTIFICATION STAMP
 DIV. OF THE STATE ARCHITECT
 APP: 03-123048 INC.
 REVIEWED FOR
 SS FLS ACS
 DATE: 10/05/2023



ARCHITECT PBK Architects, Inc.
 RANCHO CUCAMONGA
 8163 Rochester Avenue, Suite 100
 Rancho Cucamonga
 California 91730
 P 909-987-0909

CONSULTANT LEAF Engineers

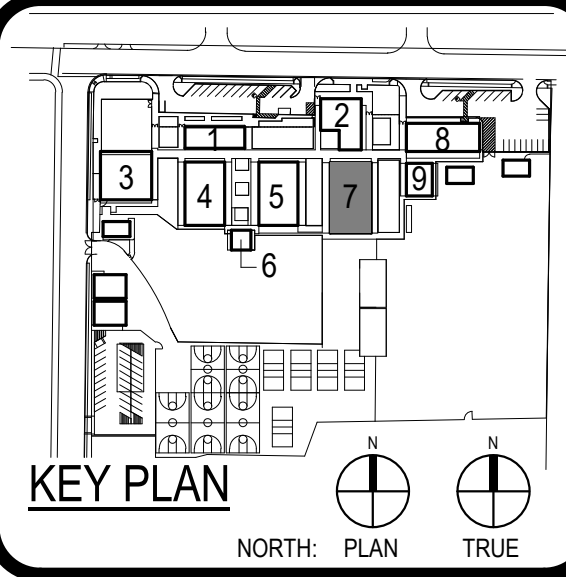
 8163 Rochester Avenue, Suite 100
 Rancho Cucamonga, CA 91730
 909-987-0909
 leafengineers.com

WALNUT GROVE I.S. - SCIENCE LAB MOD.

PROJECT ADDRESS:
 614 E. Vine Ave.
 West Covina, CA 91790

DSA BACKCHECK
 DSA APPL. NO. 03-123048 DSA FILE NO. 19-110

WEST COVINA
 Unified School District



Architect

CLIENT WEST COVINA USD
 DATE 02/22/2023 PROJECT NUMBER 220117

REVISIONS		
No.	Description	Date

DSA BACKCHECK

ELECTRICAL TITLE 24 FORMS

- 1 AREA OF WORK
- 2 PROVIDE 120V DUPLEX GFCI RECEPTACLE FOR NEW DRINKING FOUNTAIN. INSTALL 20A/1P GFCI TYPE CIRCUIT BREAKER IN PANEL L2. CONTRACTOR TO FIELD VERIFY CIRCUIT AVAILABILITY PRIOR TO ROUGH-IN.

IDENTIFICATION STAMP
 DIV. OF THE STATE ARCHITECT
 APP: 03-123048 INC.
 REVIEWED FOR
 SS FLS ACS
 DATE: 10/05/2023



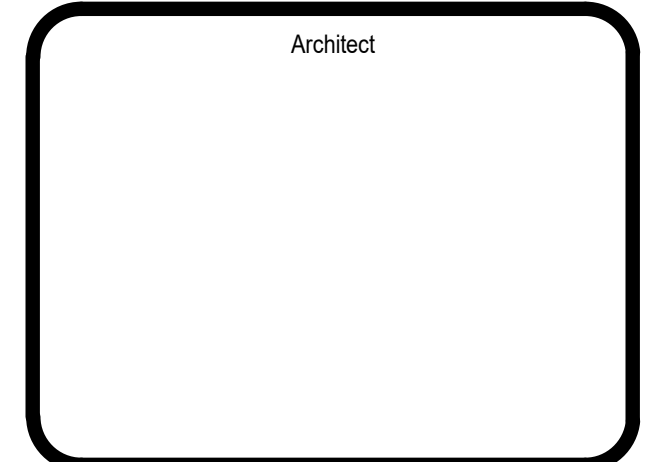
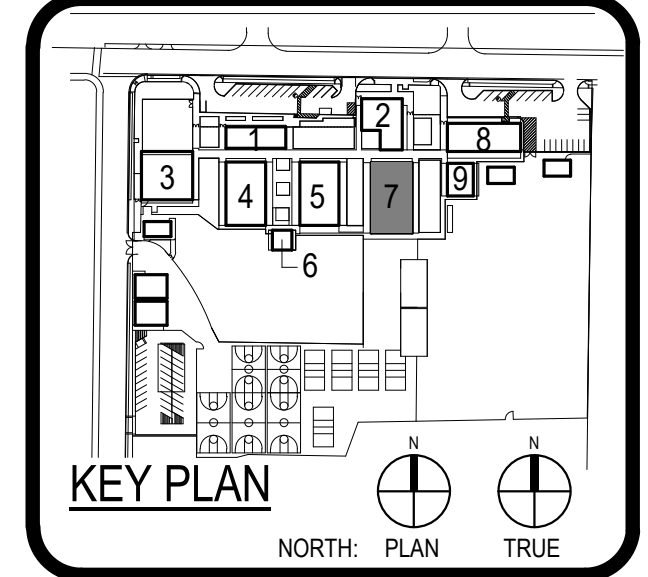
ARCHITECT PRK Architects, Inc.
 RANCHO CUCAMONGA
 8163 Rochester Avenue, Suite 100
 Rancho Cucamonga
 California 91730
 P 909-987-0909

CONSULTANT LEAF ENGINEERS
 8163 Rochester Avenue, Suite 100
 Rancho Cucamonga, CA 91730
 909-987-0909
 leafengineers.com

WALNUT GROVE I.S. - SCIENCE LAB MOD.

PROJECT ADDRESS:
 614 E. Vine Ave.
 West Covina, CA 91790

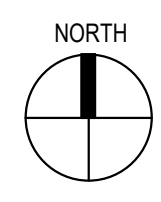
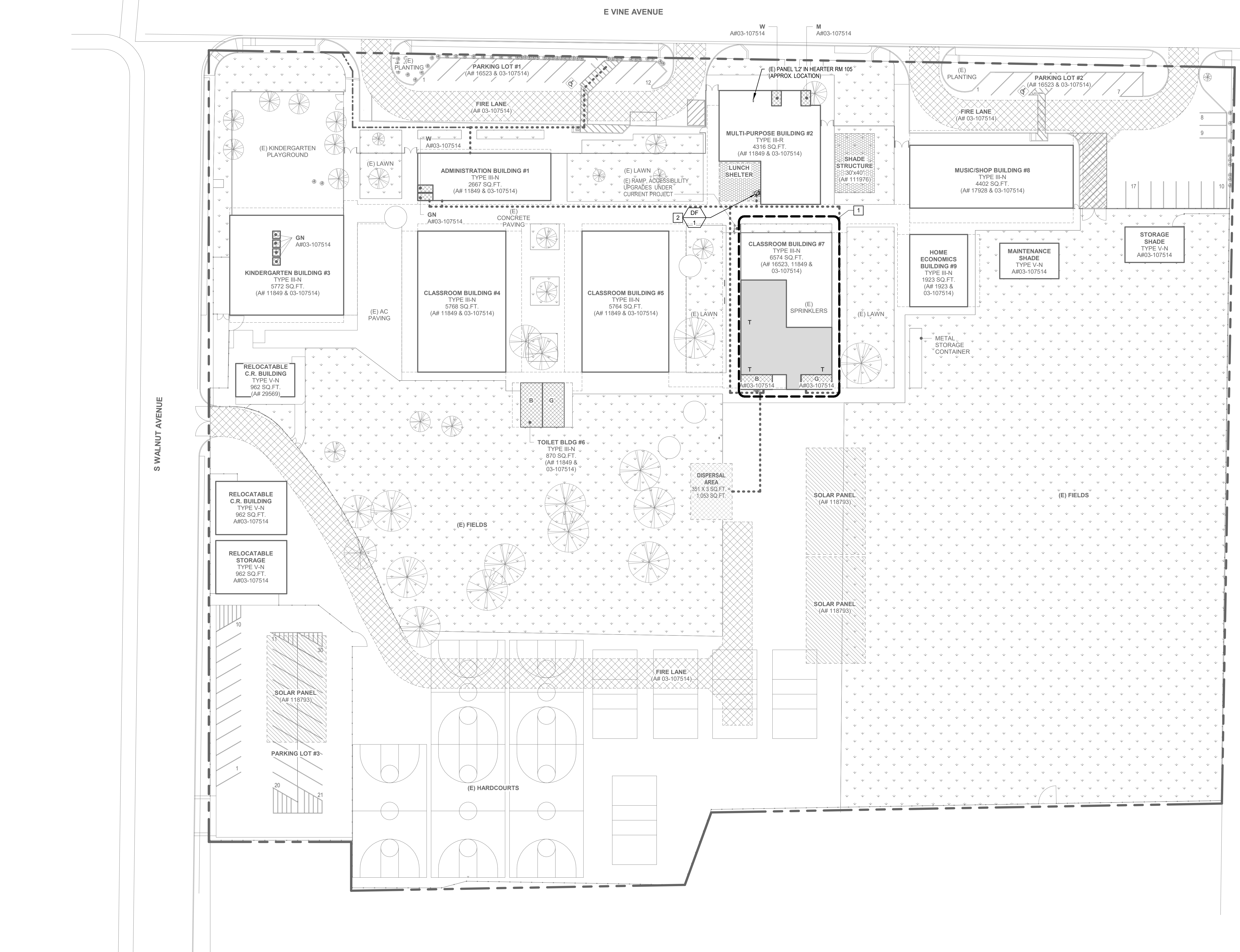
DSA BACKCHECK
 DSA APP. NO. 03-123048 DSA FILE NO. 19-110

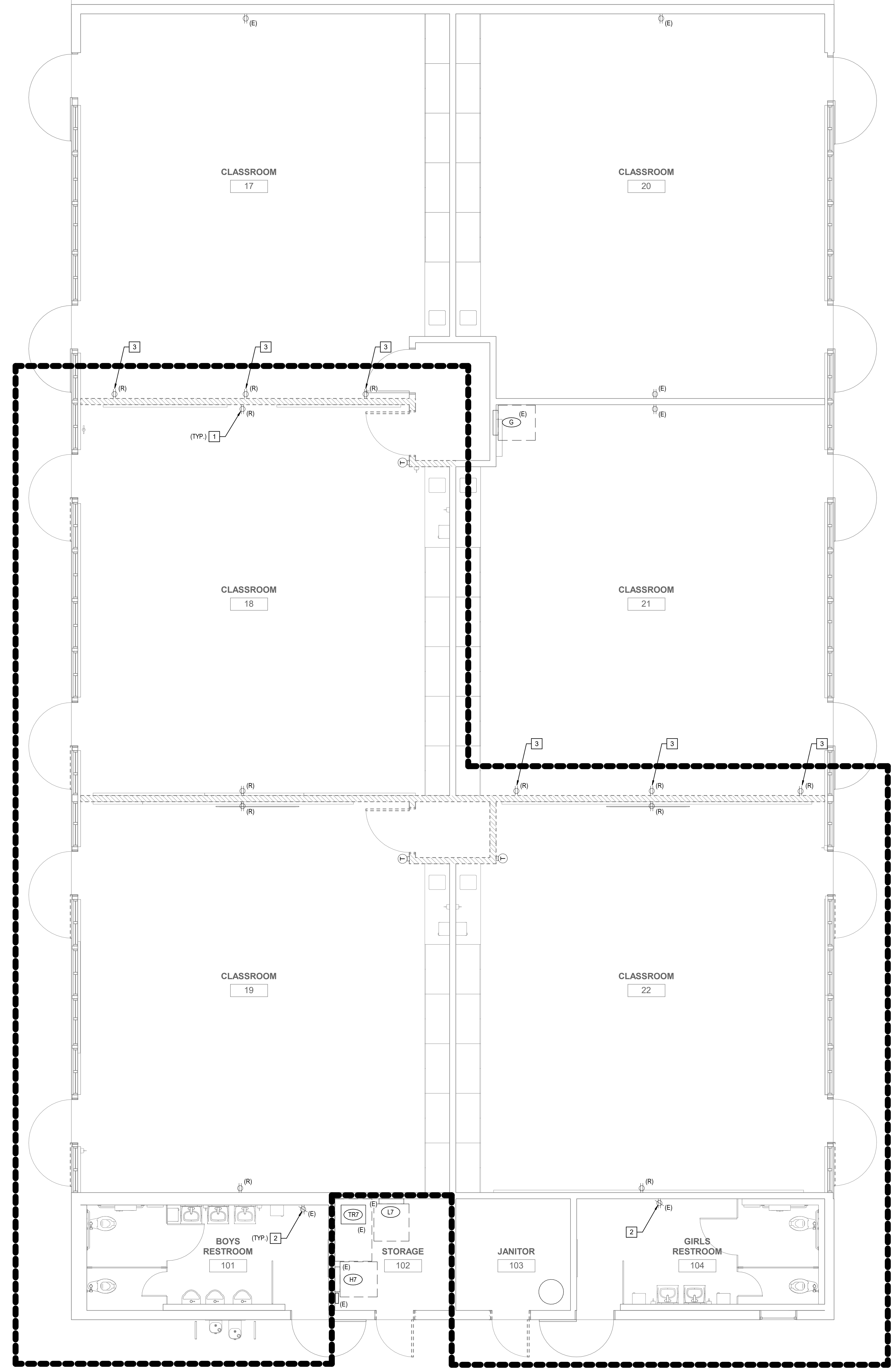


CLIENT		
WEST COVINA USD		
DATE	PROJECT NUMBER	
02/22/2023	220117	
REVISIONS		
No.	Description	Date

DSA BACKCHECK

ELECTRICAL SITE PLAN





GENERAL NOTES

1. THE EXISTING BUILDING INCLUDING PORTIONS OF THE RENOVATED AREA SHALL REMAIN IN SERVICE DURING THE CONSTRUCTION PHASE OF THIS PROJECT. ANY MODIFICATIONS TO THE EXISTING ELECTRICAL SYSTEMS THAT MAY REQUIRE THE TEMPORARY INTERRUPTION OF EXISTING SERVICES SHALL BE COORDINATED AND PRE-SCHEDULED WITH THE OWNER'S REPRESENTATIVE PRIOR TO STARTING ANY WORK.
2. ELECTRICAL ENGINEERING FOR THIS PROJECT IS BASED ON EXISTING DRAWINGS AND A FIELD VISIT OF THE ELECTRICAL SYSTEM. IN CASE OF ANY DISCREPANCIES WITH EXISTING FIELD CONDITIONS, ELECTRICAL CONTRACTOR SHALL VERIFY THE EXACT DIFFERENCES AND NOTIFY THE ELECTRICAL ENGINEER FOR POSSIBLE REVISION TO THESE DOCUMENTS.

KEY NOTES

1. EXISTING RECEPTACLE TO BE DEMOLISHED. ALL ASSOCIATED CONDUIT, SUPPORTS AND WIRING SHALL BE DEMOLISHED BACK TO NEAREST JUNCTION BOX. MAINTAIN CIRCUIT CONTINUITY OF DOWNSTREAM DEVICES TO REMAIN.
2. EXISTING GFCI RECEPTACLE SHALL REMAIN AND BE PROTECTED IN PLACE.
3. EXISTING RECEPTACLE TO BE REMOVED AND REPLACED WITH NEW. DEMOLISH ALL ASSOCIATED CONDUIT AND WIRING BACK TO SOURCE. EXISTING CIRCUITS SHALL BE RE-USED FOR NEW CONSTRUCTION.

IDENTIFICATION STAMP
DIV. OF THE STATE ARCHITECT
APP: 03-123048 INC.
REVIEWED FOR
SS FLS ACS
DATE: 10/05/2023

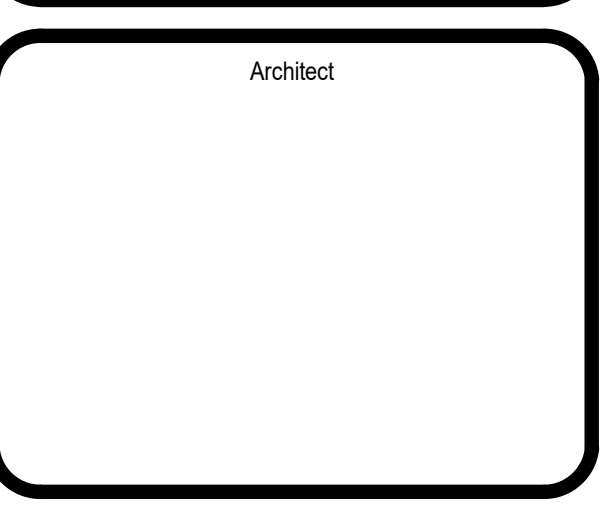
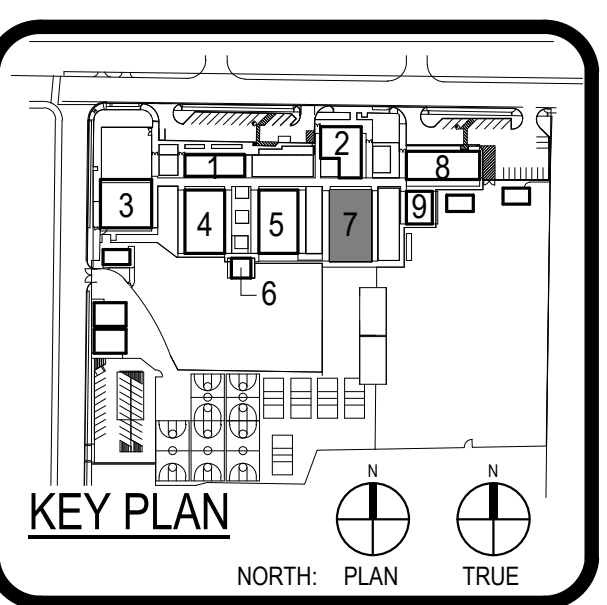
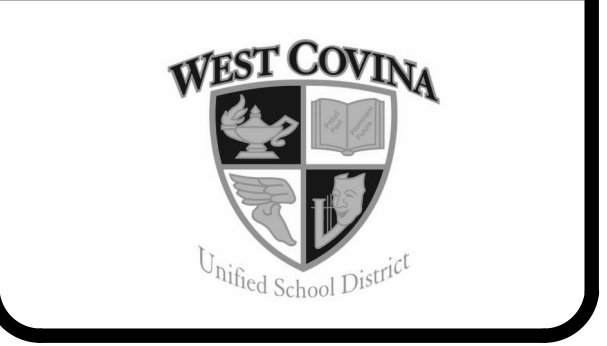


ARCHITECT PBK Architects, Inc.
RANCHO CUCAMONGA
8163 Rochester Avenue, Suite 100
Rancho Cucamonga
California 91730
P 909-987-0909

CONSULTANT LEAF ENGINEERS
8163 Rochester Avenue, Suite 100
Rancho Cucamonga, CA 91730
909.987.0909
leafengineers.com

WALNUT GROVE I.S. - SCIENCE LAB MOD.

PROJECT ADDRESS:
614 E. Yuma Ave.
West Covina, CA 91790
DSA BACKCHECK
DSA APPL. NO. 03-123048 DSA FILE NO. 19-110



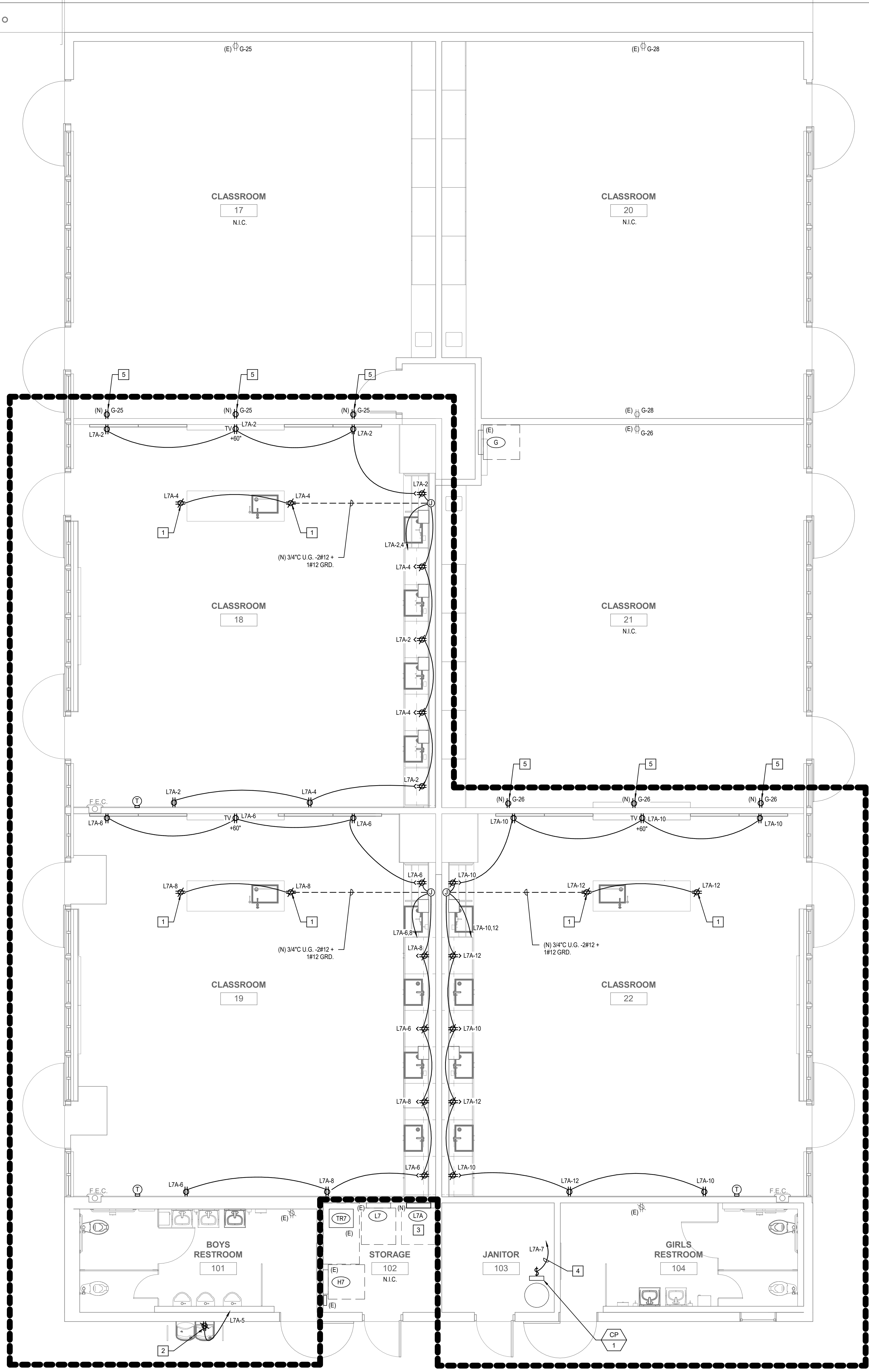
REVISIONS		
No.	Description	Date

CLIENT WEST COVINA USD
DATE 02/22/2023 PROJECT NUMBER 220117

DSA BACKCHECK

ELECTRICAL DEMOLITION FLOOR PLAN - BLDG 7

E2.01



GENERAL NOTES

- FOR EQUIPMENT OR DEVICES SHOWN ON ARCHITECTURAL DRAWINGS THAT REQUIRE POWER AND NOT IDENTIFIED ON ELECTRICAL PLANS, ASSUME AT A MINIMUM A DUPLEX OUTLET, A DEDICATED CIRCUIT WITH 20' 1/2" 3/4" WITH HOMERUN TO NEAREST 200/208V PANEL. ITEMS SUCH AS BUT NOT LIMITED TO ROLL DOWN DOORS, COUNTER DOORS, OVERHEAD GRILLES, DISPLAY CASES, HAND DRYERS, WATER COOLERS, ICE MAKERS, GARBAGE DISPOSALS, OSCILLATING FANS, LCD'S, PROJECTORS, DISHWASHERS, MOTORIZED PROJECTION SCREENS, ETC.
- ELECTRICAL ENGINEERING FOR THIS PROJECT IS BASED ON EXISTING DRAWINGS DATED JANUARY 01, 19xx, AND A FIELD VISIT OF THE ELECTRICAL SYSTEM. IN CASE OF ANY DISCREPANCIES WITH EXISTING FIELD CONDITIONS, ELECTRICAL CONTRACTOR SHALL VERIFY THE EXACT DIFFERENCES AND NOTIFY THE ELECTRICAL ENGINEER FOR POSSIBLE REVISION TO THESE DOCUMENTS.
- ANY ELECTRICAL AND/OR SIGNAL UTILITY SHUTDOWNS WITHIN THE AREA OF WORK SHALL BE COORDINATED AND SCHEDULED IN ADVANCE WITH THE OWNER'S REPRESENTATIVE.

KEY NOTES

- INSTALL RECEPTACLE RECESSED INTO LAB DESK. STUB UP INTO MILLWORK. CONCEAL AS MUCH AS POSSIBLE. PROVIDE GROMMETS AS REQUIRED. COORDINATE EXACT LOCATION AND HEIGHT WITH ARCHITECT PRIOR TO ROUGH-IN.
- PROVIDE 120V CONNECTION TO NEW DRINKING FOUNTAIN. INSTALL NEW GFCI TYPE RECEPTACLE AND GFCI TYPE CIRCUIT BREAKER AT PANEL L7A. CONTRACTOR SHALL COORDINATE EXACT MOUNTING HEIGHT WITH MANUFACTURER PRIOR TO ROUGH-IN.
- PROVIDE AND INSTALL NEW 100A PANEL. SUB FEED FROM PANEL L7. RELOCATE (2) 20A/1P CIRCUIT BREAKERS TO NEW PANEL AND PROVIDE NEW 60A/2P CIRCUIT BREAKER IN (E) PANEL L7. SEE SINGLE LINE DIAGRAM AND PANEL SCHEDULES ON SHEET ES.01 FOR ADDITIONAL INFORMATION.
- PROVIDE LOCAL DISCONNECT WITH 120V CONNECTION TO NEW CIRC PUMP, 3/4" 2" 12" 1/2" GRD. SEE PLUMBING PLANS FOR ADDITIONAL INFORMATION.
- REPLACED EXISTING RECEPTACLE WITH NEW, RE-USE EXISTING CIRCUITS. PROVIDE ALL NEW CONDUIT & WIRING BACK TO SOURCE.

IDENTIFICATION STAMP
 DIV. OF THE STATE ARCHITECT
 APP: 03-123048 INC.
 REVIEWED FOR
 SS FLS ACS
 DATE: 10/05/2023



ARCHITECT PBK Architects, Inc.
 RANCHO CUCAMONGA
 8163 Rochester Avenue, Suite 100
 Rancho Cucamonga
 California 91730
 P 909-987-0909

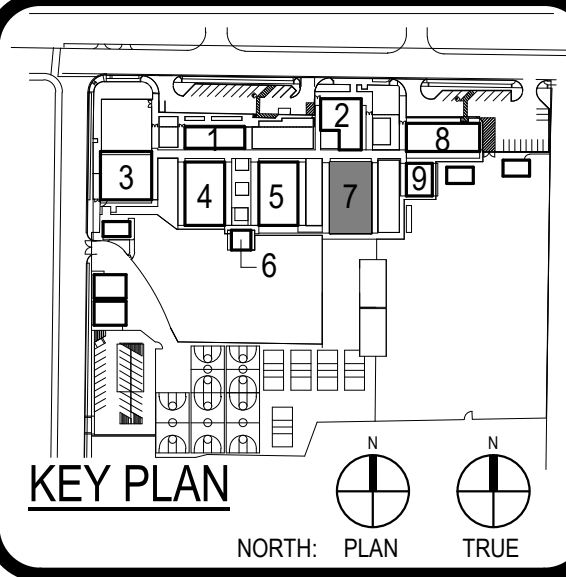
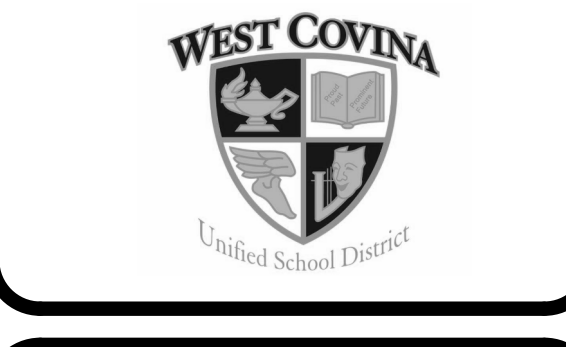
CONSULTANT LEAF ENGINEERS

 8163 Rochester Avenue, Suite 100
 Rancho Cucamonga, CA 91730
 909.987.0909
 leafengineers.com

WALNUT GROVE I.S. - SCIENCE LAB MOD.

PROJECT ADDRESS:
 614 E. Yuma Ave.
 West Covina, CA 91790

DSA BACKCHECK
 DSA APPL. NO. 03-123048 DSA FILE NO. 19-110



Architect

CLIENT WEST COVINA USD

DATE 02/22/2023 PROJECT NUMBER 220117

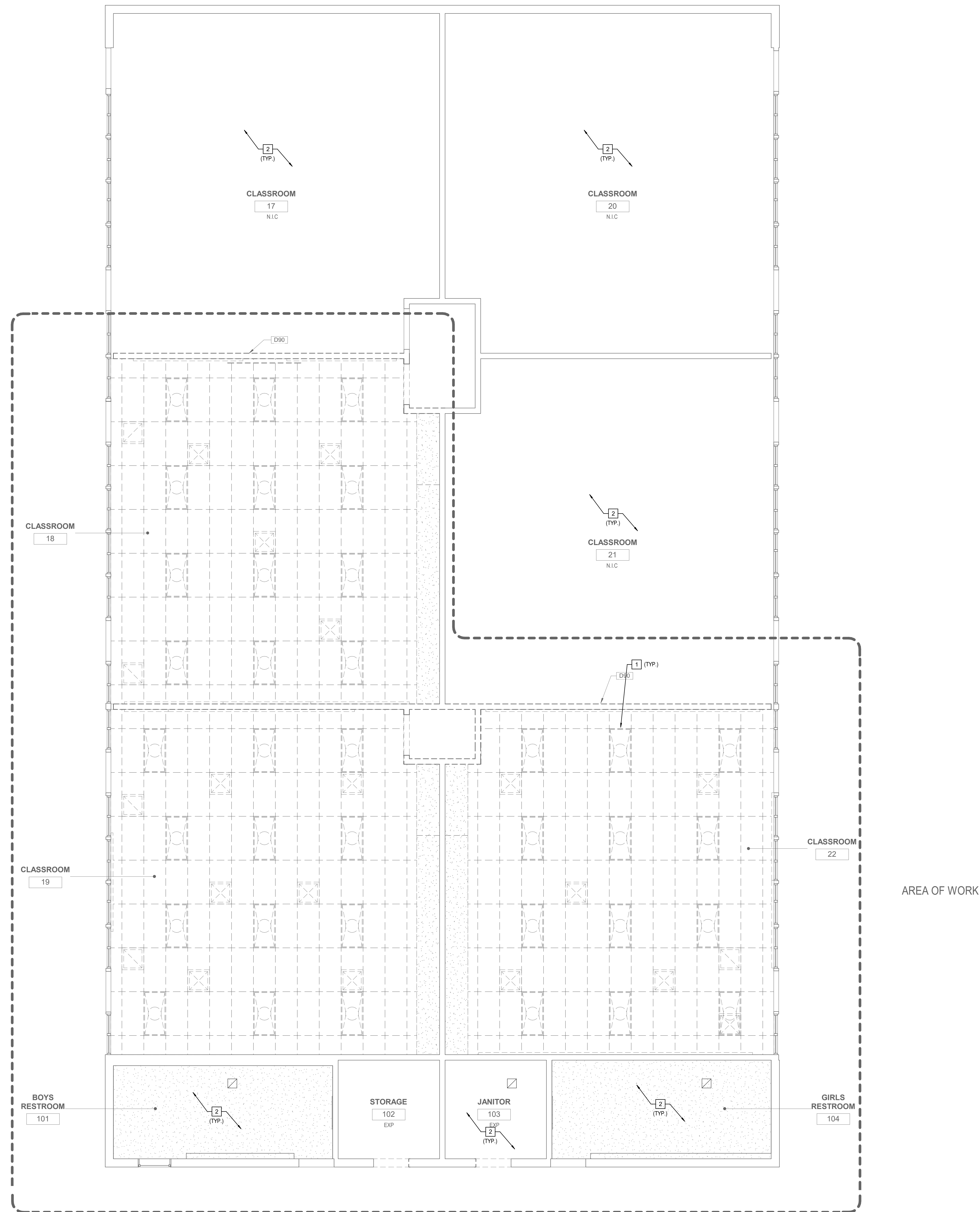
REVISIONS		
No.	Description	Date

DSA BACKCHECK

ELECTRICAL NEW FLOOR PLAN - BLDG 7

E2.02

1 ELECTRICAL DEMOLITION LIGHTING PLAN - BLDG 7
1/4" = 1'-0"



GENERAL NOTES

1. THE EXISTING BUILDING INCLUDING PORTIONS OF THE RENOVATED AREA SHALL REMAIN IN SERVICE DURING THE CONSTRUCTION PHASE OF THIS PROJECT. ANY MODIFICATIONS TO THE EXISTING ELECTRICAL SYSTEMS THAT MAY REQUIRE THE TEMPORARY INTERRUPTION OF EXISTING SERVICES SHALL BE COORDINATED AND PRE-SCHEDULED WITH THE OWNER'S REPRESENTATIVE PRIOR TO STARTING ANY WORK.
2. ELECTRICAL ENGINEERING FOR THIS PROJECT IS BASED ON EXISTING DRAWINGS AND A FIELD VISIT OF THE ELECTRICAL SYSTEM IN CASE OF ANY DISCREPANCIES WITH EXISTING FIELD CONDITIONS, ELECTRICAL CONTRACTOR SHALL VERIFY THE EXACT DIFFERENCES AND NOTIFY THE ELECTRICAL ENGINEER FOR POSSIBLE REVISION TO THESE DOCUMENTS.

KEY NOTES

1. DISCONNECT AND REMOVE EXISTING LIGHT FIXTURES WITHIN THE AREA OF DEMOLITION. ALL ASSOCIATED CONTROL AND POWER CONNECTIONS SHALL BE DEMOLISHED BACK TO NEAREST EXISTING J-BOX ABOVE CEILING. MAINTAIN LIGHTING CIRCUIT CONTINUITY OF ALL ADJACENT AND/OR DOWNSTREAM LIGHTING FIXTURES/DEVICES TO REMAIN.
2. EXISTING LIGHT FIXTURES AND CONTROLS TO REMAIN AND BE PROTECTED IN-PLACE.

IDENTIFICATION STAMP
DIV. OF THE STATE ARCHITECT
APP: 03-123048 INC.
REVIEWED FOR
SS FLS ACS
DATE: 10/05/2023



ARCHITECT PBK Architects, Inc.
RANCHO CUCAMONGA
8163 Rochester Avenue, Suite 100
Rancho Cucamonga
California 91730
P 909-987-0909

CONSULTANT LEAF ENGINEERS

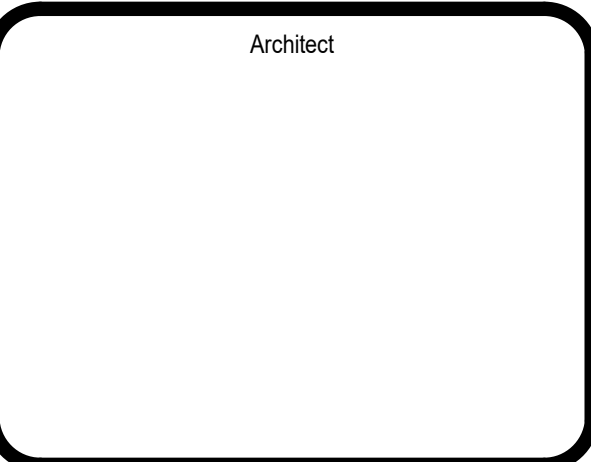
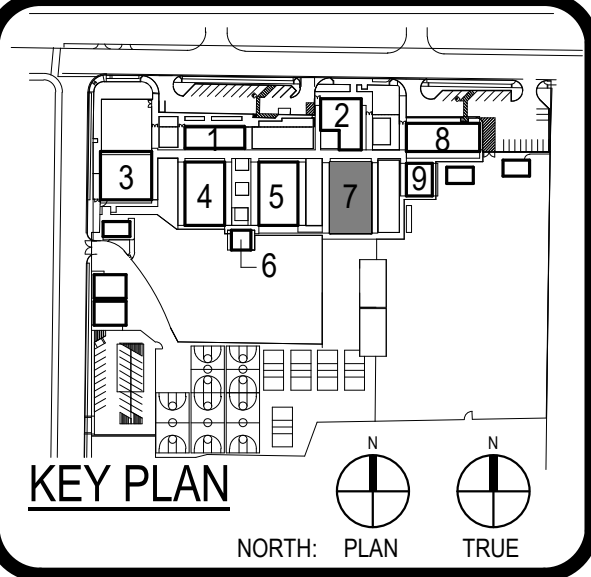


8163 Rochester Avenue, Suite 100
Rancho Cucamonga, CA 91730
909.987.0909
leafengineers.com

WALNUT GROVE I.S. - SCIENCE LAB MOD.

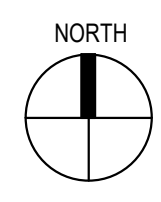
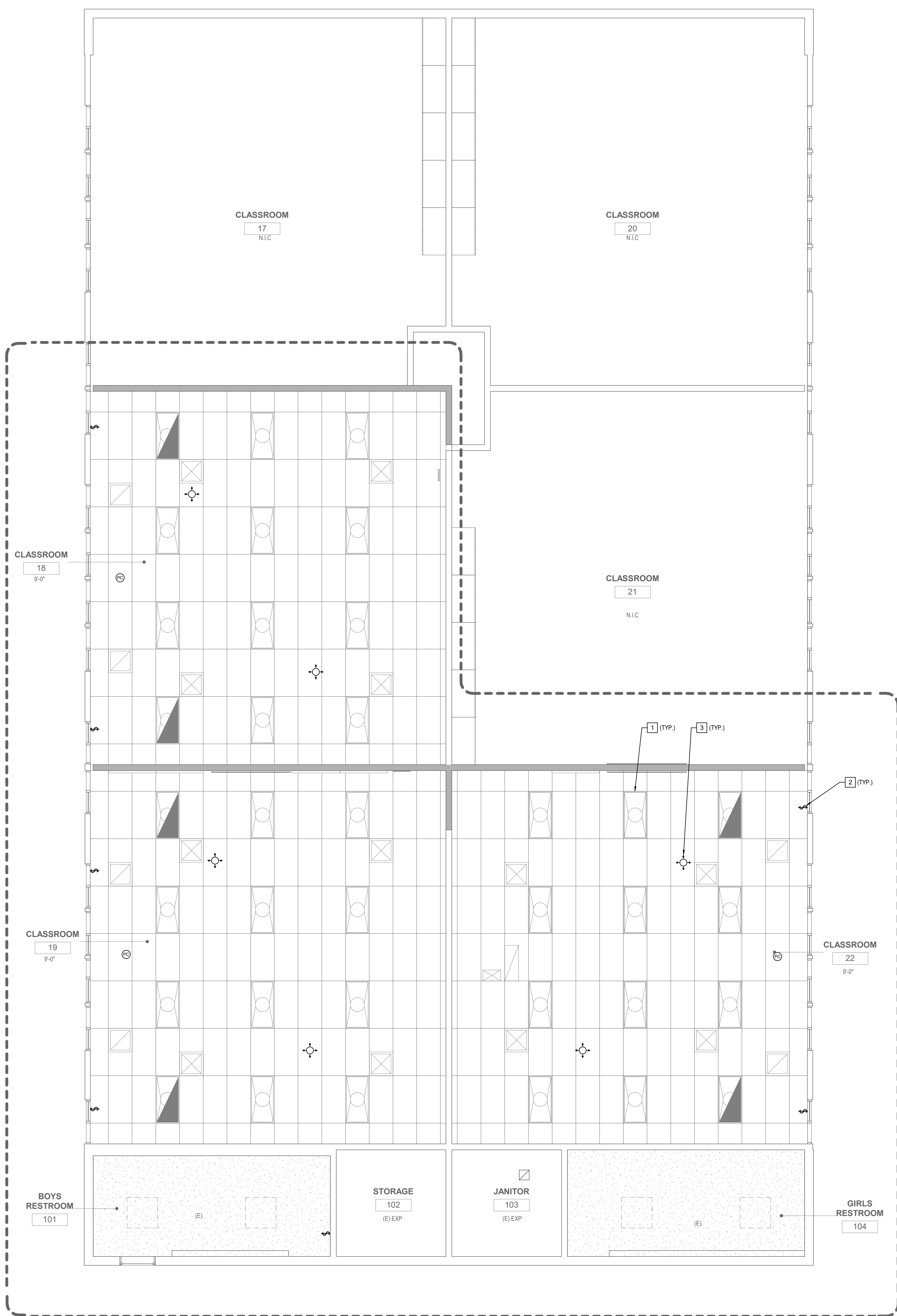
PROJECT ADDRESS:
614 E. Yuma Ave.
West Covina, CA 91790

DSA BACKCHECK
DSA APPL. NO. 03-123048 DSA FILE NO. 19-110



REVISIONS		
No.	Description	Date

CLIENT WEST COVINA USD
DATE 02/22/2023 PROJECT NUMBER 220117
DSA BACKCHECK
ELECTRICAL DEMOLITION LIGHTING PLAN



GENERAL NOTES

1. PROVIDE A COMPLETE AND OPERATIONAL SYSTEM OF OCCUPANCY SENSORS FOR ON/OFF CONTROL OF ALL LIGHT FIXTURES INCLUDING BUT NOT LIMITED TO POWER PACKS, WIRING, ETC. RE: DIVISION 26 SPECIFICATIONS FOR ADDITIONAL INFORMATION.
2. PROVIDE EMERGENCY BATTERY PACKS FOR ALL LIGHTING FIXTURES DESIGNATED TO BE ON EMERGENCY POWER. PROVIDE UNSWITCHED HOT TO BATTERY SO THAT LAMPS CAN BE SWITCHED OFF AND ON WITHOUT DRAINING BATTERY. RE: DIVISION 26 SPECIFICATIONS FOR ADDITIONAL INFORMATION.
3. THE EXISTING BUILDING INCLUDING PORTIONS OF THE RENOVATED AREA SHALL REMAIN IN SERVICE DURING THE CONSTRUCTION PHASE OF THIS PROJECT. ANY MODIFICATIONS TO THE EXISTING ELECTRICAL SYSTEMS THAT MAY REQUIRE THE TEMPORARY INTERRUPTION OF EXISTING SERVICES SHALL BE COMPLETED AFTER NORMAL WORKING HOURS. PRE-SCHEDULE ANY SERVICE INTERRUPTIONS WITH THE OWNER PRIOR TO STARTING ANY WORK. DO NOT DISTURB THE EXISTING DEPARTMENTS IN THE EXISTING BUILDING COMPLEX.

KEY NOTES

1. NEW LED LIGHT FIXTURE. PROVIDE ALL NEW CONDUIT AND WIRING. REUSE EXISTING CIRCUITS, UNLESS OTHERWISE NOTED. ALL 2X4'S ARE 'FX-A' (LITHONIA LIGHTING - STAMP 2X4 400LM 80CRI 40K COLT MIN10 2T MVOLT) 'EM' FIXTURES ARE PROVIDED WITH 90 MIN EMERGENCY BATTERY BACKUP (E10W/LCP).
2. LOW VOLTAGE WALL ON/OFF SWITCH WITH DIMMING.
3. LOW VOLTAGE CEILING MOUNTED OCCUPANCY SENSOR.
4. LOW VOLTAGE CEILING MOUNTED DAYLIGHT HARVESTING SENSOR WITH DIMMING.

IDENTIFICATION STAMP
DIV. OF THE STATE ARCHITECT
APP: 03-123048 INC.
REVIEWED FOR:
SS FLS ACS
DATE: 10/05/2023

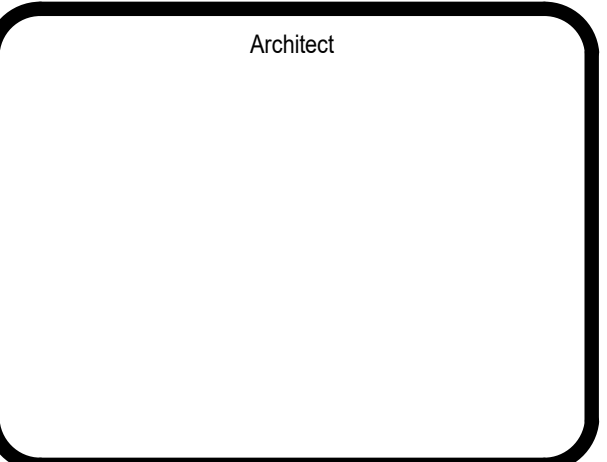
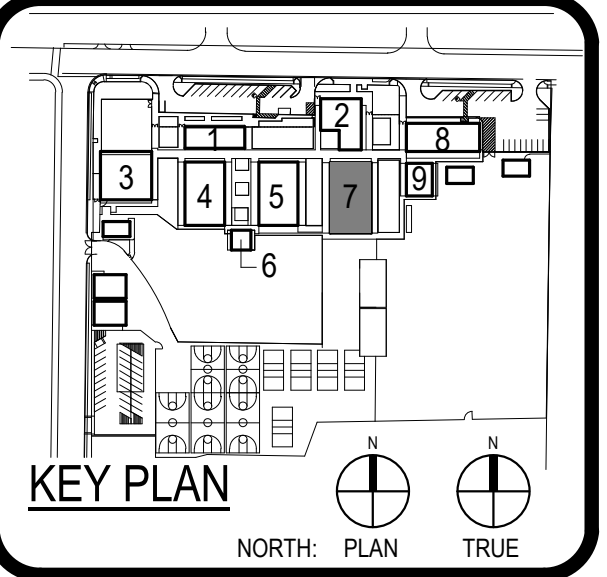


ARCHITECT PBK Architects, Inc.
RANCHO CUCAMONGA
8163 Rochester Avenue, Suite 100
Rancho Cucamonga
California 91730
P 909-987-0909

CONSULTANT LEAF ENGINEERS
8163 Rochester Avenue, Suite 100
Rancho Cucamonga, CA 91730
909.987.0909
leafengineers.com

WALNUT GROVE I.S. - SCIENCE LAB MOD.

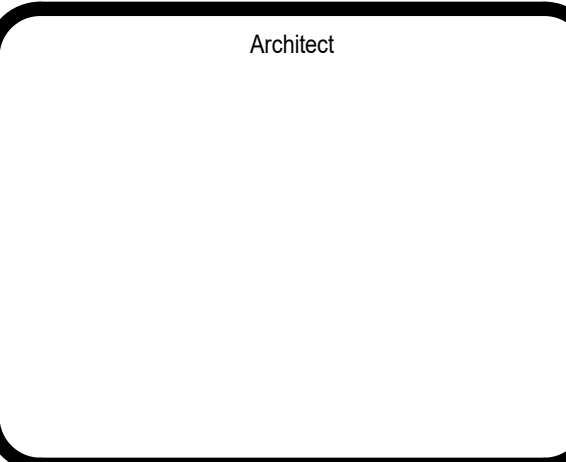
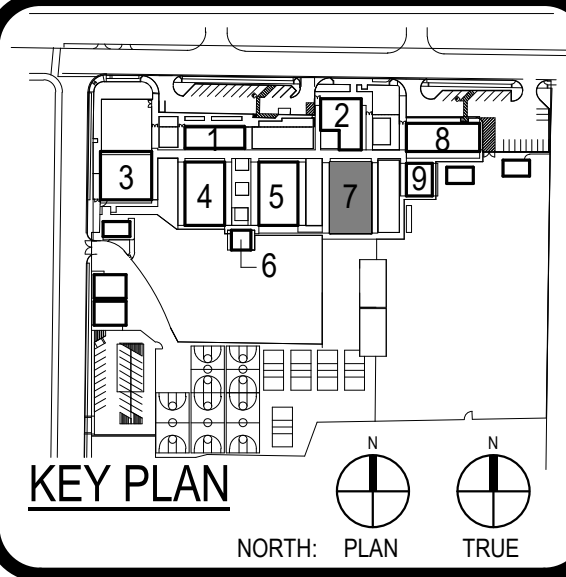
PROJECT ADDRESS:
614 E. Yuma Ave.
West Covina, CA 91790
DSA BACKCHECK
DSA APP. NO. 03-123048 DSA FILE NO. 19-110



REVISIONS		
No.	Description	Date

CLIENT WEST COVINA USD
DATE 02/22/2023 PROJECT NUMBER 220117
DSA BACKCHECK

ELECTRICAL NEW LIGHTING PLAN - BLDG 7



CLIENT		
WEST COVINA USD		
DATE	PROJECT NUMBER	
02/22/2023	220117	
REVISIONS		
No.	Description	Date

DSA BACKCHECK

ELECTRICAL SCHEDULES & DETAILS

Job: Walnut Grove IS - Science Lab Mod. Job No. 220117 A/C Rating 10000

Mounting SURFACE
 Main Type MCB, 100A
 Neutral 100%

Voltage: 208Y/120V-1PH 4W
 Main Size: 100 AMPS
 Ground/Equipment Ground
 Lugs SINGLE

PANEL: L7

ALL LOADS IN VA																									
Ltg	Recept	Motor	Heat	Cool	Other	Kitchen	SIS	Description	Amp/P	Wire	Cr. No.	Ph.	Cr. No.	Wire	Amp/P	Description	Ltg	Recept	Motor	Heat	Cool	Other	Kitchen	SIS	
								SPARE		EX.	1	A	2	EX.		MAIN								0.00	
										EX.	3	B	4	EX.	1000									0.00	
										EX.	6	C	6	EX.										0.00	
								SPARE		EX.	7	A	8	EX.										1.00	
										EX.	9	B	10	EX.	200									100	
										EX.	11	C	12	EX.										100	
								SPARE		EX.	13	A	14	EX.	201	TEACHER RECEPT		720						0.00	
								SPARE		EX.	15	B	16	EX.	201	EF-3								800	
								EF-4		EX.	17	C	18	EX.	201	EXISTING LOAD								100	
								EF-5		EX.	19	A	20	EX.	201	EXISTING LOAD								100	
								BOYS RR RECEPT		EX.	21	B	22	EX.	1000	SURGE								0.00	
								GIRLS RR RECEPT		EX.	23	C	24	EX.										0.00	
								PANEL L7A		EX.	25	A	26	EX.										0.00	
								FAPS-7		EX.	27	B	28	EX.	201	SPARE								100	
										EX.	29	C	30	EX.	201	ROOF RECEPTS								360	
										EX.	31	A	32	EX.	201	TIMECLOCK								200	
										EX.	33	B	34	EX.	201	SPARE								100	
										EX.	35	C	36	EX.	201	SPARE								100	
										EX.	37	A	38	EX.	201	SURGE								100	
										EX.	39	B	40	EX.	201	SURGE								100	
										EX.	41	C	42	EX.	201	SURGE								100	
										EX.	43	A	44	EX.	201	SPARE								100	
										EX.	45	B	46			DO NOT REMOVE									
										EX.	47	C	48			DO NOT REMOVE									
										EX.	49	A	50			DO NOT REMOVE									
										EX.	51	B	52			DO NOT REMOVE									
										EX.	53	C	54			DO NOT REMOVE									
0	666	600	0	0	0	1600	0									TOTALS	0	1290	800	0	0	0	1200	0	5.00

LOAD SUMMARY

Ltg	Recept	Motor	Heat	Cool	Other	Kitchen	SIS	Description	Phase Load
0.0	1.9	1.4	0.0	0.0	2.8	0.0	17.0	Connected KVA	A 2.2
1.25	**	1.00	1.00	1.00	0.65	0.50		Design Factors	B 1.9
0.0	1.9	1.4	0.0	0.0	2.8	0.0	8.5	Design KVA	C 1.7

Panel Remarks:
 ** - INDICATES NEW LOAD

DATE: 2/15/2023 BY: N. OROPEZA

Job: Walnut Grove IS - Science Lab Mod. Job No. 220117 A/C Rating 10000

Mounting SURFACE
 Main Type MLD
 Neutral 100%

Voltage: 208Y/120V-1PH 3W
 Main Size: 100 AMPS
 Ground/Equipment Ground
 Lugs SINGLE

PANEL: L7A

ALL LOADS IN VA																								
Ltg	Recept	Motor	Heat	Cool	Other	Kitchen	SIS	Description	Amp/P	Wire	Cr. No.	Ph.	Cr. No.	Wire	Amp/P	Description	Ltg	Recept	Motor	Heat	Cool	Other	Kitchen	SIS
								Relocated Load		EX.	12	A	2	EX.	201	Classroom 18 Rec.								900
								Relocated Load		EX.	12	B	4	EX.	201	Classroom 18 Rec.								900
								Drinking Fountain		EX.	12	B	6	EX.	201	Classroom 19 Rec.								900
								Cin Pump		EX.	12	B	8	EX.	201	Classroom 19 Rec.								900
								Spare		EX.	9	A	10	EX.	201	Classroom 22 Rec.								900
								Spare		EX.	11	B	12	EX.	201	Classroom 22 Rec.								900
0	700	0	40	0	0	0	0									TOTALS	0	5400	0	0	0	0	0	0.00

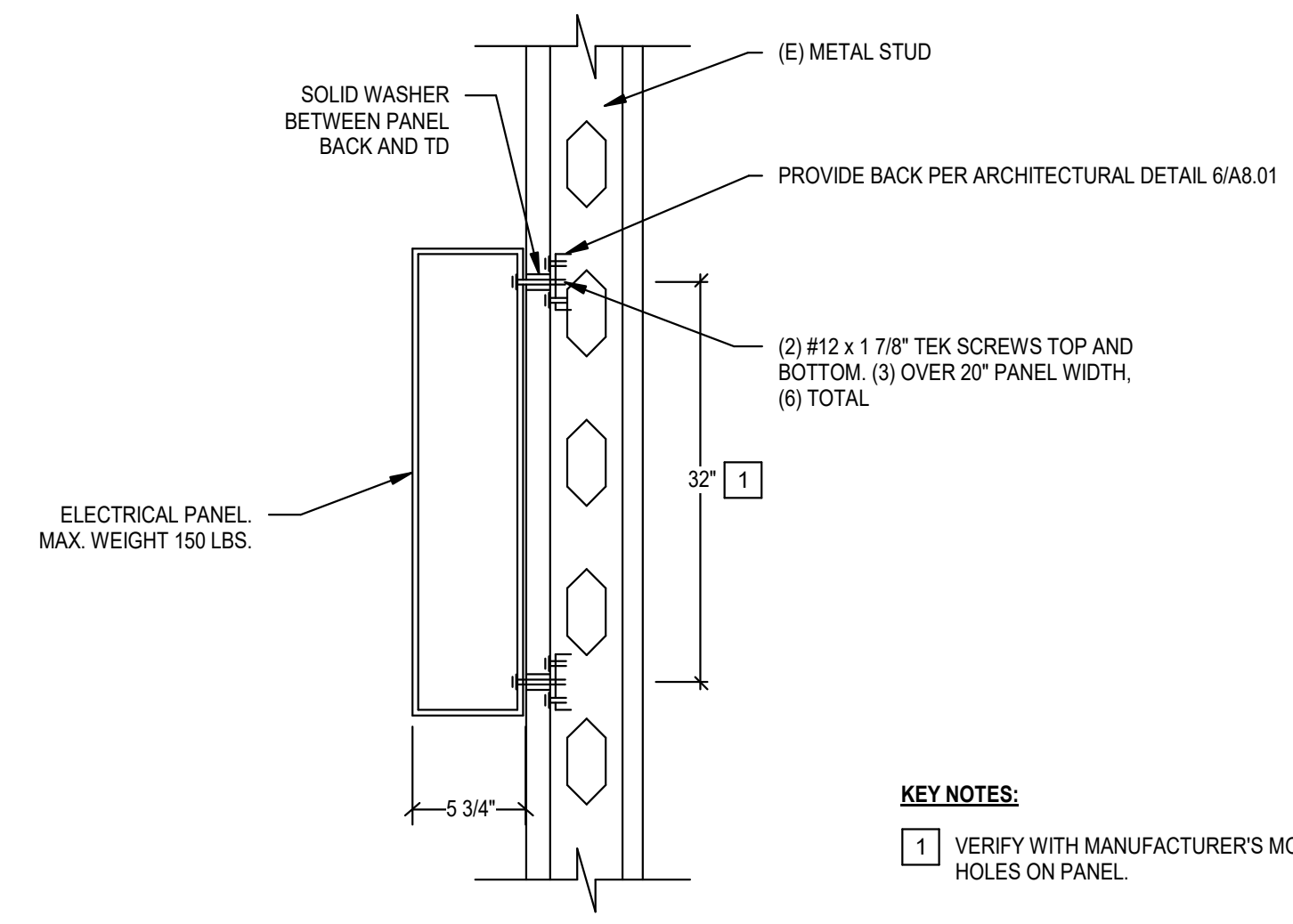
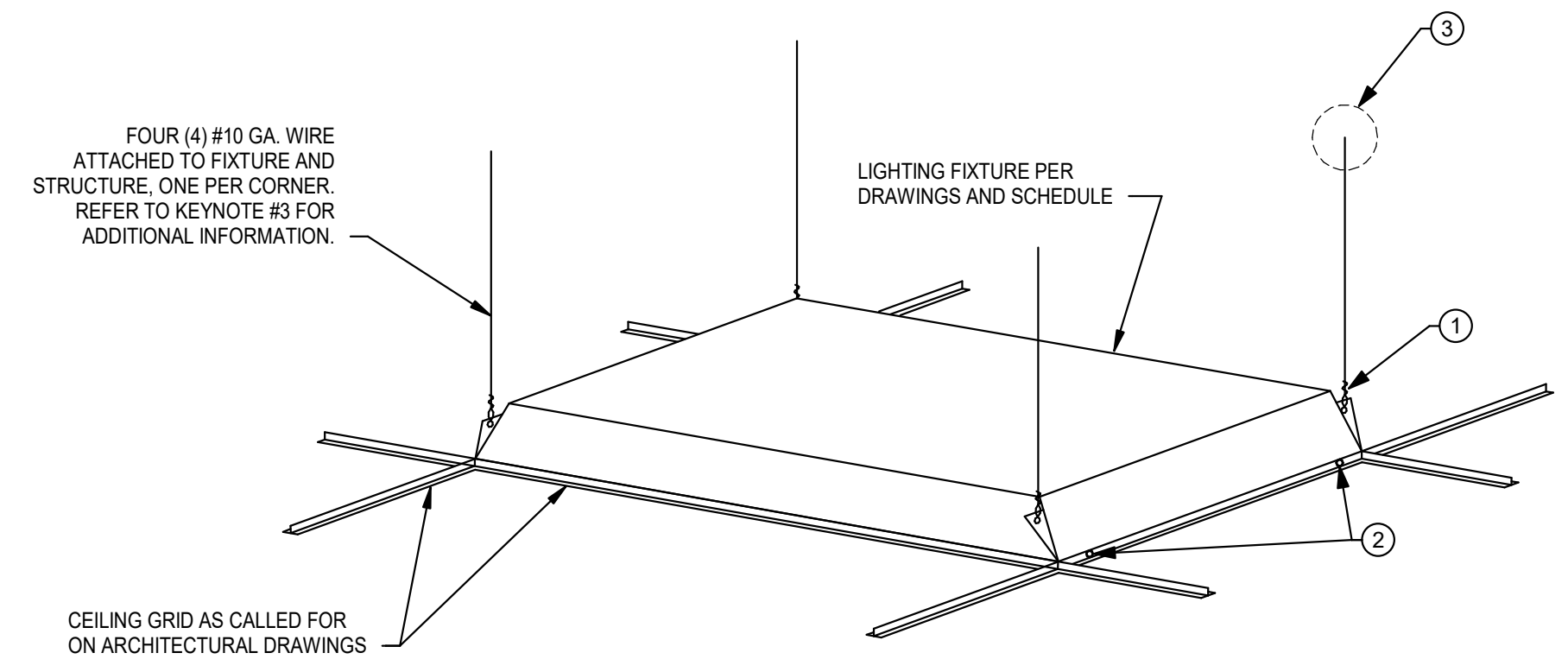
LOAD SUMMARY

Ltg	Recept	Motor	Heat	Cool	Other	Kitchen	SIS	Description	Phase Load
0.0	6.1	0.0	0.0	0.0	0.0	0.0	2.0	Connected KVA	A 3.3
1.25	**	1.00	1.00	1.00	0.65	0.50		Design Factors	B 2.6
0.0	6.1	0.0	0.0	0.0	0.0	0.0	1.0	Design KVA	

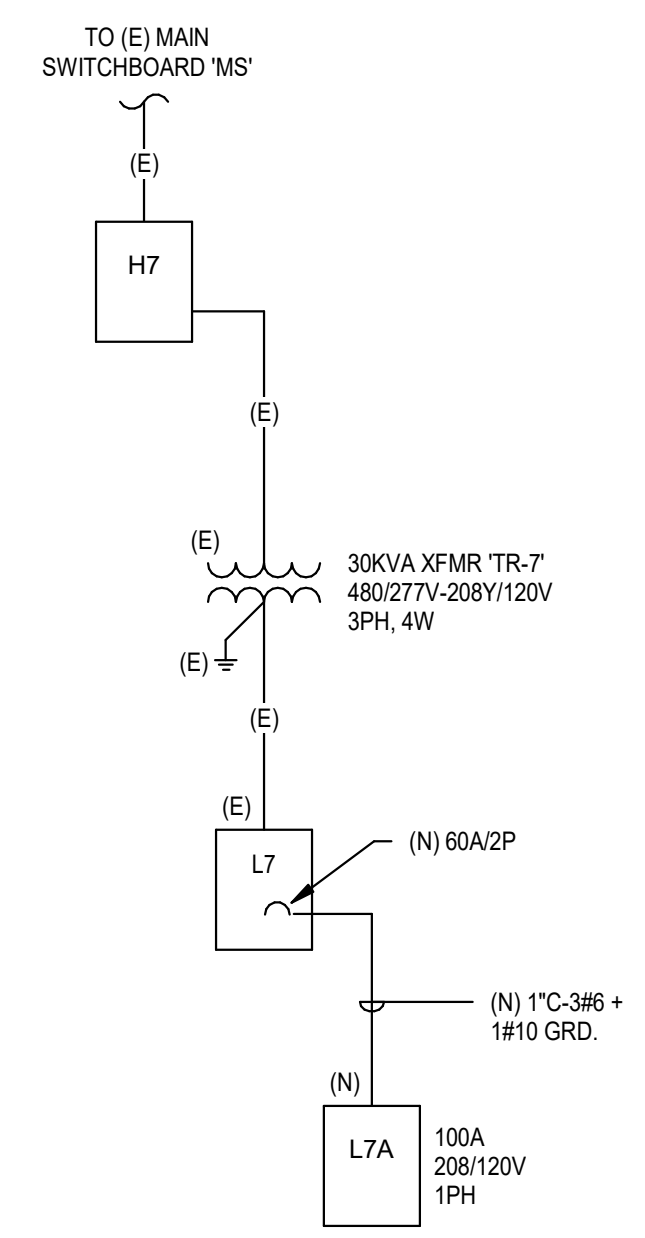
Panel Remarks:
 ** - NEW PANEL FED FROM L7
 - Provide GFCI type circuit breaker for drinking fountain.

DATE: 2/15/2023 BY: N. OROPEZA

- KEY NOTES:
- ATTACH WIRE TO FIXTURE (3 TIGHT TURNS MIN. IN 1/2" MAX.)
 - MIN #8 TEK® SCREW GRID TO FIXTURE @ EACH CORNER.
 - ATTACH HANGER WIRES TO STRUCTURE AS PER ARCHITECTURAL DETAIL 231A10.02.



- KEY NOTES:
- VERIFY WITH MANUFACTURER'S MOUNTING HOLES ON PANEL.



AUDIO & VIDEO GENERAL NOTES	
1.	ALL 120V POWER REQUIRED FOR THE FUNCTIONALITY OF EACH SYSTEM SHALL BE A DEDICATED CIRCUIT AND ON EMERGENCY POWER WHEN AVAILABLE. THE INSTALLING CONTRACTOR FOR EACH SYSTEM SHALL BE RESPONSIBLE FOR PROVIDING THEIR OWN 120V POWER REQUIREMENTS FOR ALL REMOTE POWER SUPPLIES. THE INSTALLING CONTRACTORS LICENSED ELECTRICAL SUBCONTRACTOR SHALL COORDINATE ELECTRICAL PANEL LOCATIONS AND AVAILABLE SPACE DEDICATED FOR THE CONTRACTOR'S SYSTEM REQUIREMENTS (TYPICAL). PROJECTS ELECTRICAL CONTRACTOR SHALL BE RESPONSIBLE FOR ALL POWER TO MAIN CONTROL PANELS AND ALL HEAD END EQUIPMENT. SYSTEM INSTALLERS SHALL COORDINATE LOCATION AND CONNECTION OF CONTROL PANEL AND HEAD END POWER WITH THE PROJECTS ELECTRICAL CONTRACTOR.
2.	THE PROJECTS ELECTRICAL CONTRACTOR SHALL BE RESPONSIBLE FOR ALL IN WALL CONDUITS, BELOW GRADE CONDUITS, BELOW SLAB CONDUITS, CONDUITS ACROSS OPEN AREAS BACK BOXES, SLEEVES, AND OTHER RACEWAY REQUIRED FOR DEVICES AND PATHWAYS SHOWN ON THE FLOOR PLANS AND DETAIL SHEETS. ANY ADDITIONAL CONDUITS, SLEEVES, AND RACEWAY REQUIREMENTS FOR EACH SYSTEM SHALL BE THE RESPONSIBILITY OF EACH SYSTEM INSTALLER.
3.	ALL EXPOSED SYSTEMS WIRING OR WIRING ROUTING ACROSS NON ACCESSIBLE CEILING SHALL BE ROUTED IN CONDUIT. SIZE CONDUIT AS REQUIRED TO ROUTE SYSTEMS WITH 40% CABLE FILL RATIO. MINIMUM CONDUIT SIZE SHALL BE 3/4".
4.	AV CONTRACTOR SHALL BE RESPONSIBLE FOR ENSURING ALL EXTERIOR WALL PENETRATIONS ARE PROPERLY SEALED TO PREVENT ANY MOISTURE FROM ENTERING BUILDING.
5.	NO CONDUITS SHALL BE INSTALLED ON THE EXTERIOR OF THE BUILDING. IF EXTERIOR CONDUITS ARE REQUIRED FOR A COMPLETE INSTALLATION, EACH SYSTEM CONTRACTOR SHALL COORDINATE WITH THE PROJECTS CONSULTANT PRIOR TO ANY ROUGH-IN.
6.	EACH SYSTEM CONTRACTOR SHALL PROVIDE AND INSTALL PROTECTIVE BUSHINGS ON ALL CONDUIT STUB OUTS AND SLEEVES TO PREVENT CABLE DAMAGE. BUSHING TO BE INSTALLED PRIOR TO CABLE INSTALLATION. CUTTING BUSHING AND INSTALLING AFTER CABLE IS INSTALLED WILL NOT BE EXCEPTED.
7.	ALL CABLE SHALL BE ROUTED DOWN CORRIDORS, PARALLEL AND PERPENDICULAR TO THE BUILDING WALLS AND STRUCTURE. CABLE TO EACH DEVICE SHALL BRANCH OFF OF A MAIN CORRIDOR/TRUNK ROUTING CABLES THROUGH CLASSROOMS, OFFICES, STORAGE ROOMS, RESTROOMS, OR ANY TYPE OF ROOM OTHER THAN A CORRIDOR WILL NOT BE ACCEPTED. ENTER ALL ROOMS ABOVE THE ASSOCIATED ROOM DOORWAY.
8.	THE SYSTEM INSTALLER SHALL PROPERLY SUPPORT ALL INSTALLED SYSTEM CABLING FROM AN APPROVED CABLE SUPPORT SYSTEM AS DETAILED IN SPECIFICATIONS. NO CABLING SHALL BE ROUTED AND TIED DIRECTLY TO BUILDING STEEL, CEILING GRID SUPPORT, CONDUIT, PIPING, OR DUCTWORK. THE CABLE SUPPORT SYSTEM SHALL BE DIRECTLY CONNECTED TO THE BUILDING'S STEEL JOIST. AT LOCATIONS WHERE THE BOTTOM OF THE JOIST IS MORE THAN 5' ABOVE THE CEILING, THE SYSTEM INSTALLER SHALL PROVIDE AND INSTALL THREADED ROD AND ALL REQUIRED MATERIALS TO CONNECT THE THREADED ROD TO THE BUILDING STEEL AND THE CABLE SUPPORT SYSTEM TO THE THREADED ROD. CABLE PATHWAY SHALL NOT BE HIGHER THAN 5' ABOVE THE CEILING AT ANY LOCATIONS.
9.	ALL EXTERIOR AND WALL MOUNTED SPEAKERS SHALL BE MOUNTED AT 10'-0" UNLESS OTHERWISE NOTED.
10.	EXTERIOR SPEAKERS SHALL BE ON A SEPARATE LOW VOLTAGE CIRCUIT FROM INTERIOR SPEAKERS.
11.	AV CONTRACTOR SHALL COORDINATE ALL MOUNTING LOCATIONS OF ALL AV DEVICES TO PROVIDE EVEN AND BALANCED AUDIO COVERAGE OF INTENDED LISTENING AREAS AND UNOBSTRUCTED, SQUARE, AND PLUMB VIDEO IMAGE DISPLAYS.
12.	ALL LAY-IN CEILING MOUNTED SPEAKERS SHALL BE INSTALLED UTILIZING A TILE BRIDGE SUPPORT SYSTEM. AT NO POINT SHOULD THE WEIGHT OF A CEILING MOUNTED SPEAKER BE SUPPORTED BY A CEILING TILE ONLY.
13.	AV CONTRACTOR TO COORDINATE WITH ELECTRICAL CONTRACTOR FOR ALL CONDUIT AND BACK BOX REQUIREMENTS.
14.	AV CONTRACTOR TO COORDINATE WITH ALL OTHER TRADES WITH REGARD TO BLOCKING AND PROPER SUPPORT OF ALL AV DEVICES.

TECHNOLOGY PLAN GENERAL NOTES	
1.	120V POWER REQUIRED FOR THE FUNCTIONALITY OF THE STRUCTURED CABLING SYSTEM (SCS), COMMUNICATIONS, SECURITY, AND AUDIO/VIDEO EQUIPMENT SHALL BE A DEDICATED CIRCUIT AND ON EMERGENCY POWER WHEN AVAILABLE. CONTRACTOR SHALL COORDINATE AND INSTALL ALL POWER REQUIREMENTS AND LOCATIONS AS REQUIRED FOR ALL EQUIPMENT (TYPICAL).
2.	CONTRACTOR SHALL COORDINATE WITH TECHNOLOGY DESIGNER PRIOR TO THE INSTALLATION OF RACKS AND RACK EQUIPMENT. NO RACKS SHALL BE PERMANENTLY INSTALLED WITHOUT WRITTEN APPROVAL OF THE PROPOSED LOCATIONS.
3.	THE PROJECTS ELECTRICAL CONTRACTOR SHALL BE RESPONSIBLE FOR ALL CONDUITS, PULL STRING, SLEEVES FOR CABLING THROUGH ALL CMU AND RATED WALLS, BACK BOXES, CONDUIT SLEEVES, PROTECTIVE BUSHING ON EXPOSED ENDS OF CONDUIT STUB OUTS AND SLEEVES, AND OTHER RACEWAY REQUIRED FOR DEVICES AND PATHWAYS SHOWN ON THE FLOOR PLANS AND DETAIL SHEETS. CONDUITS SHALL NOT SHARE WITH OTHER BUILDING TRADES. ANY ADDITIONAL CONDUITS, SLEEVES, AND RACEWAY REQUIREMENTS NOT DISCLOSED BEFORE WALLS ARE COMPLETE SHALL BE THE RESPONSIBILITY OF THE SCS INSTALLER.
4.	BUSHING SHALL BE INSTALLED PRIOR TO CABLE INSTALLATION. CUT BUSHING INSTALLED AFTER THE CABLE IS INSTALLED WILL NOT BE EXCEPTED. CONTRACTOR TO MAINTAIN A 40% MAXIMUM FILL RATIO ON ALL SLEEVES INSTALLED.
5.	EXPOSED CABLING OR CABLING ROUTING ACROSS NON-ACCESSIBLE CEILING SHALL BE INSTALLED IN CONDUIT. CONDUIT SHALL BE PROPERLY SIZED TO MAINTAIN THE 40% FILL RATIO.
6.	THE SELECTED, INSTALLING CONTRACTOR MUST BE A CERTIFIED INTEGRATOR/INSTALLER AUTHORIZED BY THE SPECIFIED SYSTEM MANUFACTURER TO INSTALL THE CABLE PLANT AND CONNECTIVITY PRODUCTS. REFER TO SPECIFICATIONS FOR PRODUCT TYPE AND DESCRIPTION.
7.	SYSTEM WIRING AND EQUIPMENT INSTALLATION SHALL BE IN ACCORDANCE WITH ENGINEERING BEST PRACTICES AS ESTABLISHED BY ANSI/EIA/TIA, BICSI, AND THE CEC.
8.	WIRING SHALL MEET ALL STATE AND LOCAL ELECTRICAL CODES.
9.	(SCS), COMMUNICATIONS, AND SECURITY SYSTEMS EQUIPMENT AND MOUNTING LOCATIONS SHALL BE IN COMPLIANCE WITH ADA ACCESSIBILITY STANDARDS.
10.	INDUSTRY STANDARD CATEGORY 6 CABLING PRACTICES MUST BE FOLLOWED FOR ALL DATA CABLING.
11.	DATA CABLES SHALL BE INSTALLED WITH A MINIMUM OF 12-INCHES OF SEPARATION FROM AC POWER CABLES, INTERCOM, FIRE ALARM, SECURITY CABLES IN ANY PARALLEL OPEN WIRE RUN.
12.	TECHNOLOGY CONTRACTOR SHALL SEAL OPEN CONDUIT ENDS WITH RATED SEALING COMPOUND/UMCA AFTER COMPLETION OF WORK. SEALANT SHALL BE APPROPRIATELY RATED FOR THE WALLS IN WHICH IT IS USED.
13.	ALWAYS CROSS OTHER SYSTEM CABLES AT A 90-DEGREE ANGLE.
14.	CABLES AND TERMINATION COMPONENTS SHALL BE MACHINE LABELED AT BOTH ENDS. LABEL ALL CABLES PER DETAIL DRAWINGS AND/OR SPECIFICATIONS. FINAL CABLE/OUTLET IDENTIFICATION LABELS SHALL BE COORDINATED WITH THE OWNER.
15.	EXPOSED CABLING ROUTED IN PLENUM SHALL BE PLENUM-RATED. ALL NON-PLENUM RATED CABLING INSTALLED IN PLENUM SPACES SHALL BE INSTALLED IN CONDUIT.
16.	NO TERMINATION OR SPLICES SHALL BE INSTALLED IN OR ABOVE CEILING UNLESS NOTED OTHERWISE.
17.	CONTRACTOR SHALL MAINTAIN WALL RATING WITH PROPER FIRE BLOCKING METHODS.
18.	CONTRACTOR SHALL ROUTE ALL FIBER/OPTIC/DATA AND COMMUNICATIONS CABLING DOWN CORRIDORS AND PERPENDICULAR OR PARALLEL TO BUILDING WALLS AND ENTER INTO ROOMS ABOVE THE MAIN DOORWAY.
19.	STRUCTURED CABLING SYSTEM (SCS), COMMUNICATIONS, AND SECURITY CABLE INSTALLED SHALL ROUTE TO THE CENTER OF THE ROOM IN WHICH IT SERVES AND THEN TO THE OUTLET LOCATION AS INTENDED. EACH CABLE SHALL HAVE A 10' SERVICE LOOP AT THE CENTER OF EACH ROOM AND A 3' SERVICE LOOP ABOVE EACH OUTLET LOCATION.
20.	THE SYSTEM INSTALLER SHALL PROPERLY SUPPORT ALL INSTALLED SYSTEM CABLING FROM A PANDUIT J-MOD CABLE SUPPORT SYSTEMS AS DETAILED IN SPECIFICATIONS. NO CABLING SHALL BE ROUTED OR TIED DIRECTLY TO BUILDING STEEL, CEILING GRID SUPPORT, CONDUIT, PIPING, OR DUCTWORK. PANDUIT J-MOD SUPPORT SYSTEM SHALL BE CONNECTED DIRECTLY TO THE BUILDING'S STEEL JOIST. IN LOCATION WHERE THE BOTTOM OF THE JOIST IS MORE THAN 5' ABOVE THE CEILING, THE SYSTEM INSTALLER SHALL PROVIDE AND INSTALL THREADED ROD AND ALL REQUIRED MATERIALS TO CONNECT THE THREADED ROD TO THE BUILDING STEEL AND THE CABLE SUPPORT SYSTEM TO THE THREADED ROD. CABLE PATHWAY SHALL NOT BE HIGHER THAN 5' ABOVE THE CEILING AT ANY LOCATIONS.
21.	CONTRACTOR SHALL FURNISH CATEGORY 6 DATA CABLING UNLESS OTHERWISE SPECIFIED

DATA SYSTEM LEGEND		
GROUP	SYMBOL	DESCRIPTION
DEVICES	▽	INDICATES THE LOCATION OF A NEW TECHNOLOGY OUTLET. ELECTRICAL CONTRACTOR SHALL FURNISH 2-GANG BOX WITH 1-GANG REDUCER RING AT 18" A.F.F., FLUSH MOUNT WITH A 1" CONDUIT STUBBED OUT ABOVE NEAREST ACCESSIBLE CEILING AND RACEWAY AS SPECIFIED AND DESIGNATED IN THE ELECTRICAL CONTRACT DOCUMENTS. DW INDICATES THE NUMBER OF PORTS. CONTRACTOR SHALL PROVIDE A MINIMUM 4-PORTS FACEPLATE WITH ID WINDOWS AT EACH LOCATION UNLESS OTHERWISE NOTED. PROVIDE BLANK COVERS ON UNUSED PORTS.
	●	INDICATES THE LOCATION OF CEILING MOUNTED OUTLET. DW INDICATES THE NUMBER OF PORTS. CONTRACTOR SHALL PROVIDE PLENUM BOX WITH A MINIMUM OF 2-PORTS 12" ABOVE CEILING WITHIN VIEW FROM CEILING GRID AT EACH LOCATION UNLESS OTHERWISE NOTED. PROVIDE BLANK COVERS ON UNUSED PORTS.
	'AP'	INDICATES WIRELESS ACCESS POINT. CONTRACTOR SHALL PROVIDE AND INSTALL A 2-PORT MINIMUM BOX WITH ID WINDOWS, LABELS, AND OTHER MATERIALS AS REQUIRED AT EACH LOCATION WITH (2) 15' PLENUM PATCH CABLES. (2) DATA CABLES ROUTED TO THE NEAREST MDF/IDF WITH A 10' SERVICE LOOP UPSTREAM OF TERMINATION POINT. WALL MOUNTED ACCESS POINTS SHALL BE WALL MOUNTED AT 108" A.F.F. ELECTRICAL CONTRACTOR SHALL PROVIDE 1 GANG BOX AT 108" A.F.F., FLUSH MOUNT. CONNECT 1" EMT CONDUIT STUBBED OUT ABOVE CEILING.
	'CMP'	INDICATES CEILING MOUNTED PROJECTOR
DEVICES	'LCD'	INDICATES THE LOCATION OF HDMI WALL PLATE. ELECTRICAL CONTRACTOR SHALL PROVIDE (1) RACO 260 BOX WITH A 2-GANG REDUCER RING, FLUSH MOUNT AT 60" A.F.F., CONNECTED TO A 2" CONDUIT ROUTED ABOVE ASSOCIATED ACCESSIBLE CEILING. INSTALL ADJACENT TO (1) 20AMP DEDICATED CIRCUIT. CONTRACTOR SHALL FURNISH A DATA CABLE ROUTED TO THE NEAREST MDF/IDF.
	'PS'	INDICATES THE LOCATION OF A PRESENTATION STATION HDMI INPUT WALL PLATE. ELECTRICAL CONTRACTOR SHALL PROVIDE (1) RACO 260 BOX WITH A 2-GANG REDUCER RING, FLUSH MOUNT IN DEMONSTRATION COUNTER ADJACENT TO (1) 20AMP DEDICATED CIRCUIT. WITH A 2" CONDUIT ROUTED ABOVE ASSOCIATED ACCESSIBLE CEILING. CONTRACTOR SHALL FURNISH A DATA CABLE ROUTED TO THE NEAREST MDF/IDF.

INTERCOM AND CLOCK LEGEND		
GROUP	SYMBOL	DESCRIPTION
DEVICES	Ⓢ	INTERCOM SPEAKER, FLUSH MOUNTED IN CEILING. SUBSCRIPT 'L' INDICATES A LOCAL SOUND SYSTEM SPEAKER.
	'L'Ⓢ	INTERCOM SPEAKER, FLUSH MOUNTED MOUNTED IN WALL. PROVIDE EXTERIOR RATED SPEAKERS INSTALLED ON BUILDING EXTERIOR. SUBSCRIPT 'L' INDICATES A LOCAL SOUND SYSTEM SPEAKER.
	'V'	SPEAKER VOLUME CONTROL, FLUSH MOUNTED IN WALL. 2 GANG EXTRA DEEP BACK BOX WITH SINGLE GANG REDUCER RING AT PROJECT SWITCH HEIGHT WITH (1) 3/4" CONDUIT STUBBED OUT ABOVE ACCESSIBLE CEILING IN SAME ROOM.
	'CB'	INTERCOM CALL BUTTON, FLUSH MOUNTED IN WALL. 2 GANG EXTRA DEEP BACK BOX WITH SINGLE GANG REDUCER RING AT PROJECT SWITCH HEIGHT WITH (1) 3/4" CONDUIT STUBBED OUT ABOVE ACCESSIBLE CEILING IN SAME ROOM.
	'<1 XXX'	INTERCOM COMMUNICATIONS CONTROL SYSTEM HANDSET. 'ACS' INDICATES ADMINISTRATOR CONTROL SYSTEM HANDSET. 'MCS' INDICATES MASTER CONTROL SYSTEM HANDSET. 'RCS' INDICATES RESCUE AREA CONTROL SYSTEM HANDSET. 2 GANG EXTRA DEEP BACK BOX WITH SINGLE GANG REDUCER RING AT PROJECT SWITCH HEIGHT WITH (1) 3/4" CONDUIT STUBBED OUT ABOVE ACCESSIBLE CEILING IN SAME ROOM.
	'L'Ⓢ	SINGLE FACE CLOCK. 2 GANG EXTRA DEEP BACK BOX WITH SINGLE GANG REDUCER RING AT PROJECT CLOCK HEIGHT WITH (1) 3/4" CONDUIT STUBBED OUT ABOVE NEAREST ACCESSIBLE CEILING.
'R'Ⓢ	DOUBLE FACE CLOCK. 2 GANG EXTRA DEEP BACK BOX WITH SINGLE GANG REDUCER RING AT PROJECT CLOCK HEIGHT WITH (1) 3/4" CONDUIT STUBBED OUT ABOVE NEAREST ACCESSIBLE CEILING.	

SECURITY SYSTEMS' LEGEND		
GROUP	SYMBOL	DESCRIPTION
DEVICES	☒	SHOWN FOR REFERENCE ONLY. CAMERAS ARE OWNER FURNISHED, OWNER INSTALLED. (OFO)
	☒	SHOWN FOR REFERENCE ONLY. CAMERAS ARE OFOI.
	☒	WALL MOUNTED MOTION DETECTOR. MOUNT AT 12'-0" A.F.F.
	☒	360 DEGREE CEILING MOUNTED MOTION DETECTOR.
	☒	INTRUSION DETECTION SYSTEM ARM/DISARM KEYPAD WITH LOCKING VANDAL RESISTANT COVER.
	☒	PANIC BUTTON TO BE TIED TO EMERGENCY GENERATOR.
	☒	INTRUSION DETECTION CONTROL PANELS MOUNTED ON WALL. ELECTRICAL CONTRACTOR TO PROVIDE 120V. POWER TO PANEL. PROVIDE (1) TELEPHONE LINE AND (1) NETWORK CABLE TO PANEL. COORDINATE WITH DISTRICT TECHNOLOGY DEPARTMENT ON ACTIVATING VOICE LINE AND ACQUIRING AN IP ADDRESS.
	☒	ACCESS CONTROL PROXIMITY CARD READER. MOUNT AT 42" A.F.F.
	☒	DOOR RELEASE BUTTON (TO BE CONNECTED TO DOOR INDICATED).
	☒	DOOR CONTACT

NOTE:
1. EVERY SYMBOL SHOWN ON LEGEND MAY NOT APPEAR ON DRAWINGS. REFER TO GENERAL ELECTRICAL NOTES FOR WALL-MOUNTED DEVICE MOUNTING HEIGHTS.
2. REFERENCE SPECIFICATIONS FOR MATERIALS AND METHODS.
3. COMPLETE INSTALLATION OF ALL PRODUCTS SHALL BE IN COMPLIANCE WITH ALL CODES, INDUSTRY STANDARDS, COMMON PRACTICES AND MANUFACTURER'S INSTRUCTIONS.
4. ALL CONDUIT STUB-OUTS SHALL BE EQUIPPED WITH A PLASTIC PROTECTIVE BUSHING TO PREVENT CABLE DAMAGE.

DRAWING INDEX	
SHEET	DESCRIPTION
T0.00	TECHNOLOGY SYMBOLS, NOTES, AND ABBREVIATIONS
T1.01	TECHNOLOGY SITE PLAN
T2.01	TECHNOLOGY DEMOLITION FLOOR PLAN - BLDG 7
T2.02	TECHNOLOGY NEW FLOOR PLAN - BLDG 7
T6.01	TECHNOLOGY DETAILS

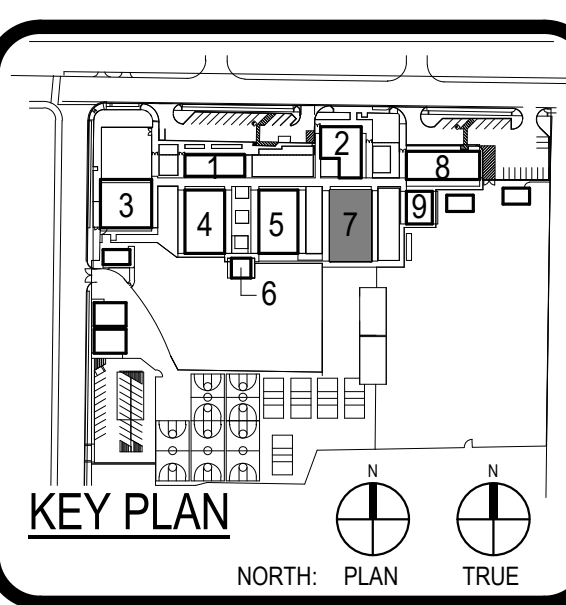
IDENTIFICATION STAMP
DIV. OF THE STATE ARCHITECT
APP: 03-123048 INC.
REVIEWED FOR
DATE: 10/05/2023



ARCHITECT PBK Architects, Inc.
8163 Rochester Avenue, Suite 100
Rancho Cucamonga, California 91730
P: 909-987-0909

CONSULTANT LEAF Engineers
8163 Rochester Avenue, Suite 100
Rancho Cucamonga, CA 91730
909-987-0909
leafengineers.com

PROJECT ADDRESS:
614 E. Yuma Ave.
West Covina, CA 91790
909-857-0909
DSA BACKCHECK
DSA APPL. NO. 03-123048 DSA FILE NO. 19-110



Architect

CLIENT		
WEST COVINA USD		PROJECT NUMBER
DATE	220117	
02/22/2023		
REVISIONS		
No.	Description	Date

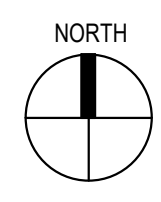
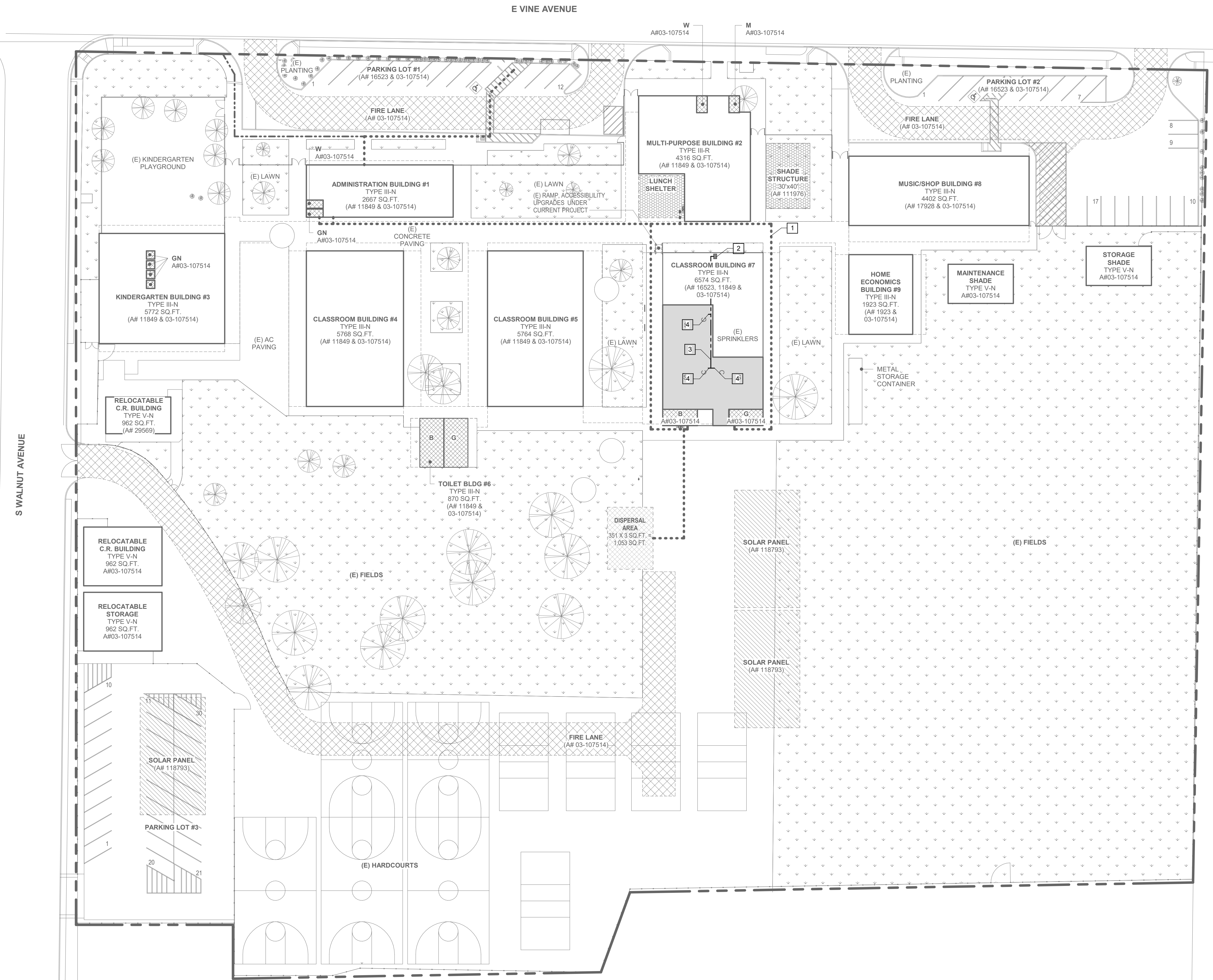
DSA BACKCHECK
TECHNOLOGY SYMBOLS, NOTES, AND ABBREVIATIONS

TECHNOLOGY SCOPE NOTES

- A. CONTRACTOR SHALL REMOVE SCS AND CLASSROOM AUDIO/VIDEO DEVICES, CABLING, MOUNTS, WIRE MOLDING, FACEPLATES, AND OTHER APPARATUS BACK TO THEIR SOURCE. PATCH PANEL OR HEAD END, AND FURNISH NEW AS INDICATED IN THESE DRAWINGS. DEMOLISHED OUTLETS SHALL BE COVERED WITH BLANK STAINLESS-STEEL PLATES. PATCH AND PAINT TO MATCH AS REQUIRED.
- B. EXISTING INTERCOM (PA) AND CLOCK DEVICES SHALL BE TESTED PRIOR TO REMOVAL AND STORED BY THE CONTRACTOR. CABLING SHALL REMAIN AND BE PROTECTED THROUGHOUT DEMOLITION AND REINSTALLED. CONTRACTOR SHALL BE RESPONSIBLE FOR PROPER FUNCTIONALITY.
- C. MOTION DETECTORS SHALL BE REPLACED WITH HONEYWELL MOTION SENSORS. CABLING SHALL REMAIN AND BE PROTECTED THROUGHOUT DEMOLITION AND REINSTALLED. CONTRACTOR SHALL BE RESPONSIBLE FOR PROPER FUNCTIONALITY.
- D. DISPLAYS AND MOUNTS SHALL BE PROVIDED BY THE OWNER AND INSTALLED BY THE CONTRACTOR (OFC)

SITE KEY NOTES

- 1 INDICATES THE AREA OF WORK.
- 2 INDICATES AN EXISTING IDF RACK. CONTRACTOR SHALL ROUTE DATA CABLES IN THE AREA OF WORK TO THIS LOCATION.
- 3 INDICATES THE APPROXIMATE OVERHEAD PATHWAY OF NEW DATA CABLES.
- 4 INDICATES APPROXIMATE LOCATION OF STUBOUT TO COUNTER



IDENTIFICATION STAMP
 DIV. OF THE STATE ARCHITECT
 APP: 03-123048 INC:
 REVIEWED FOR
 SS FLS ACS
 DATE: 10/05/2023

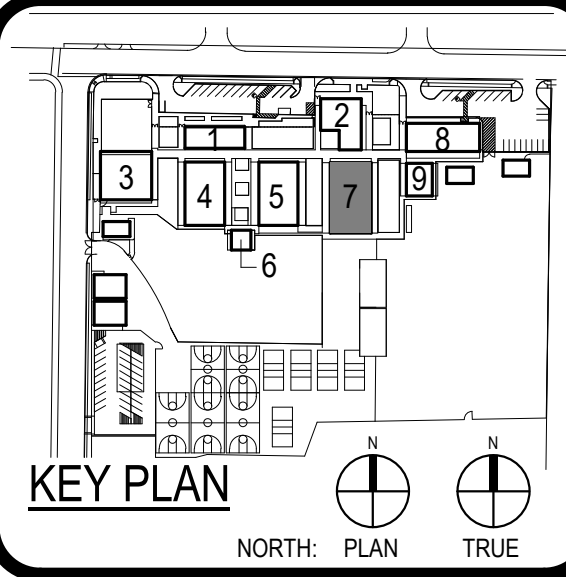


ARCHITECT PRK Architects, Inc.
 RANCHO CUCAMONGA
 8163 Rochester Avenue, Suite 100
 Rancho Cucamonga
 California 91730
 P 909-987-0909

CONSULTANT LEAF ENGINEERS
 8163 Rochester Avenue, Suite 100
 Rancho Cucamonga, CA 91730
 909-987-0909
 leafengineers.com

WALNUT GROVE I.S. - SCIENCE LAB MOD.

PROJECT ADDRESS:
 614 E. VINE AVE
 WEST COVINA, CA 91790



Consultant
 REGISTERED PROFESSIONAL ENGINEER
 No. E 2225
 Exp. 03/31/2025
 ELECTRICIAN
 STATE OF CALIFORNIA

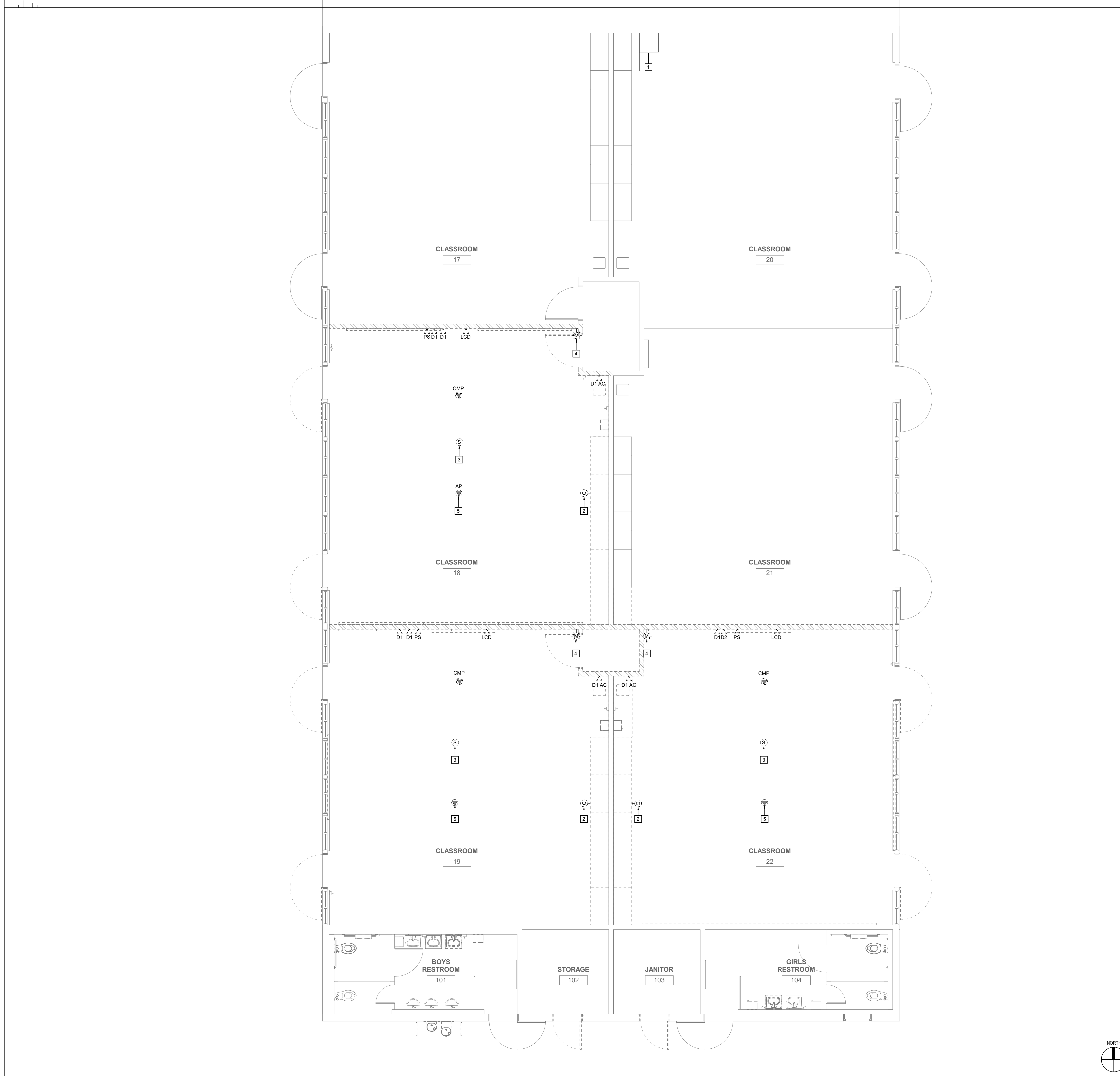
Architect

CLIENT WEST COVINA USD
 DATE 02/22/2023 PROJECT NUMBER 220117

REVISIONS		
No.	Description	Date

DSA BACKCHECK

TECHNOLOGY SITE PLAN



TECHNOLOGY SCOPE NOTES

- A. CONTRACTOR SHALL REMOVE SCSS AND CLASSROOM AUDIO/VIDEO DEVICES, CABLING, MOUNTS, WIRE MOLDING, FACEPLATES, AND OTHER APPARATUS BACK TO THEIR SOURCE, PATCH PANEL, OR HEAD-END, AND FURNISH A NEW FULLY FUNCTIONING EXTENSION OF THE EXISTING SYSTEM AS INDICATED IN THESE DRAWINGS.
- B. DEMOLISHED OUTLETS SHALL PATCHED AND PAINT TO MATCH AS REQUIRED.
- C. CONTRACTOR SHALL FURNISH FIBER AND COPPER PATCH CABLES, PATCH MODULES, AND OTHER COMPONENTS, AND INSTALL ADDITIONAL OWNER FINISHED (OFCI) NETWORK SWITCH WITH FIBER MODULES AS REQUIRED. CONTRACTOR SHALL ALL REQUIRED FIBER PATCH CABLE. CONTRACTOR SHALL FURNISH 110 % COPPER PATCH CABLES REQUIRED.
- D. EXISTING INTERCOM (PA) AND CLOCK DEVICES SHALL BE TESTED PRIOR TO REMOVAL AND STORED BY THE OWNER. CABLING SHALL REMAIN AND BE PROTECTED THROUGHOUT DEMOLITION AND REINSTALLED. CONTRACTOR SHALL BE RESPONSIBLE FOR PROPER FUNCTIONALITY.
- E. MOTION DETECTORS SHALL BE REPLACED WITH HONEYWELL DTR850M MOTION SENSORS. CABLING SHALL REMAIN AND BE PROTECTED THROUGHOUT DEMOLITION AND REINSTALLED. CONTRACTOR SHALL BE RESPONSIBLE FOR PROPER FUNCTIONALITY.
- F. DISPLAYS AND MOUNTS SHALL BE PROVIDED BY THE OWNER AND INSTALLED BY THE CONTRACTOR (OFCI)

DEMOLITION NOTES

- A. CONTRACTOR SHALL REMOVE SCSS, CLASSROOM AUDIO/VIDEO, AND INTRUSION EXISTING MOUNTS, SURFACE MOUNTED PATHWAY, DEVICES AND CABLING IN ITS ENTIRETY BACK TO THEIR ORIGIN, PATCH PANEL, OR HEAD-END. REMOVE ABANDONED LOW VOLTAGE CABLING UNLESS OTHERWISE NOTED.
- B. DEVICES, CABLING, MOUNTS, AND OTHER APPARATUS BACK TO THEIR SOURCE, PATCH PANEL, OR HEAD-END.
- C. THE CONTRACTORS SHALL COORDINATE WITH THE DIVISION 27 AND 28 SUBCONTRACTORS PRIOR TO ANY DEMOLITION.
- D. ONLY CONTRACTORS CERTIFIED AND/OR LICENSED FOR EACH SPECIFIC LOW VOLTAGE SYSTEM SHALL BE ALLOW TO SERVICE, RELOCATE, OR DEMOLISH ANY DIVISION 27 OR 28 SYSTEM COMPONENTS. PROGRAMMING MAY ONLY BE DONE BY A FACTORY APPROVED VENDOR AND TECHNICIAN.
- E. THE CONTRACTOR SHALL REFERENCE ARCHITECTURAL DRAWINGS FOR FULL EXTENT OF THE DEMOTION TO BE PERFORMED.
- F. PATCH ALL WALLS REQUIRED TO BE MODIFIED BY DEMOLITION OF RACEWAYS AND BACK BOXES FOR LOW VOLTAGE AND SPECIALTY SYSTEMS. REMOVE EDGE STRUCTURED CABLING, AUDIO VISUAL, INTERCOM, INTRUSION, AND ANY OTHER NON-FUNCTIONING CABLING, IN ITS ENTIRETY FROM END TO END FOR DEVICES THAT WILL BE REMOVED DURING SELECTIVE DEMOLITION.
- G. COORDINATE ALL DEMOLITION ACTIVITIES WITH OWNER, ARCHITECT, AND ENGINEER. PROVIDE NO LESS THAN 10 WORKING DAYS NOTICE PRIOR TO ANY SCHEDULED OUTAGES FOR ANY COMMUNICATION (DIV 27) AND LIFE SAFETY AND SECURITY (DIV 28) OUTAGES.
- H. THE CONTRACTOR SHALL REPORT ANY DAMAGED DEVICES THAT ARE SHOWN AS EXISTING TO REMAIN TO THE OWNER, ARCHITECT, AND ENGINEER PRIOR TO THE COMMENCEMENT OF WORK. ALL DEVICES FOUND TO BE DAMAGED AT THE TIME OF SUBSTANTIAL COMPLETION THAT HAVE NOT BEEN REPORTED PRIOR TO THE STARTING WORK SHALL BE REPLACED BY THE CONTRACTOR AT NO COST TO THE OWNER. ANY REPROGRAMMING OF THE HEAD END OR END POINT DEVICES AS A RESULT OF DAMAGE OR REPLACEMENT OF THE DEVICE SHALL BE THE RESPONSIBILITY OF THE CONTRACTOR AS WELL.
- I. NEW DEVICES THAT ARE SHOWN ON CMU OR MASONRY WALLS IT IS PREFERRED THAT BACK BOXES AND RACEWAYS ARE CONCEALED WITHIN WALL. IF INSTALLATION WITHIN WALL IS NOT ATTAINABLE, THEN THE SECOND PREFERENCE IS TO PROVIDE SURFACE MOUNTED CONDUIT IN ADJACENT MECHANICAL, ELECTRICAL, CUSTODIAL, OR STORAGE SPACE, THEN PENETRATE THE WALL TO THE DESIRED LOCATION. PROVIDE SURFACE MOUNTED BACK BOX AT DEVICE LOCATION. IF THE SECONDARY PREFERENCE IS NOT ATTAINABLE, THEN AND ONLY THEN IS SURFACE MOUNT RACEWAY ACCEPTABLE. CONTRACTOR SHALL PROVIDE METALLIC RACEWAY AND MECHANICALLY FASTEN IT TO WALL IN THESE INSTANCES. ALL USED EQUIPMENT IS PROPERTY OF THE OWNER.
- J. CONTRACTOR SHALL BE RESPONSIBLE FOR THE REMOVAL OF ALL LOW VOLTAGE CABLE, RACEWAYS, WIREMOLD, OR OTHER UNUSED CABLE MANAGEMENT IN AFFECTED ROOMS.

DEMOLITION KEY NOTES

- 1 INDICATES APPROXIMATE LOCATION OF EXISTING IDF RACK.
- 2 (CLOCKS) INDICATES APPROPRIATE LOCATION OF EXISTING DEVICES TO BE REMOVED, RELOCATED, AND REINSTALLED. EXISTING CABLING SHALL BE PROTECTED AND TO REMAIN. SEE DETAIL T6.0109
- 3 (INTERCOM PA) INDICATES APPROPRIATE LOCATION OF EXISTING DEVICES TO BE REMOVED AND REINSTALLED. EXISTING CABLING SHALL BE PROTECTED AND TO REMAIN. SEE DETAIL T6.0107
- 4 (MOTION) INDICATES APPROXIMATE LOCATION OF EXISTING DEVICES TO BE REMOVED AND REPLACED WITH NEW. EXISTING CABLING SHALL BE PROTECTED AND TO REMAIN. SEE DETAIL T6.0109
- 5 (AP) INDICATES APPROXIMATE LOCATION OF EXISTING DEVICES TO BE DEMOLISHED AND REPLACED WITH NEW. CABLING SHALL BE DEMOLISHED BACK TO ITS ORIGIN, PATCH PANEL, OR HEAD-END. SEE DETAIL T6.0104

IDENTIFICATION STAMP
DIV. OF THE STATE ARCHITECT
APP: 03-123048 INC.
REVIEWED FOR
SS FLS ACS
DATE: 10/05/2023

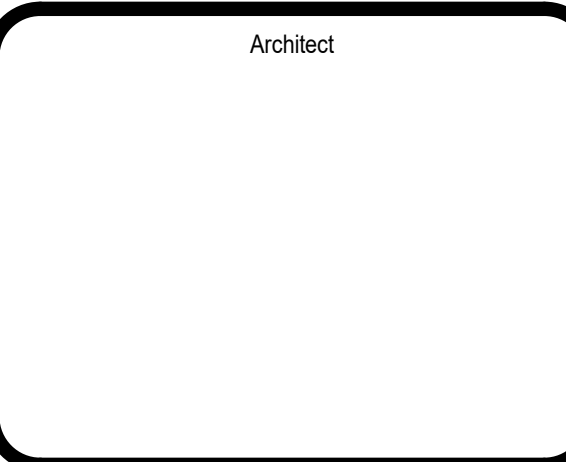
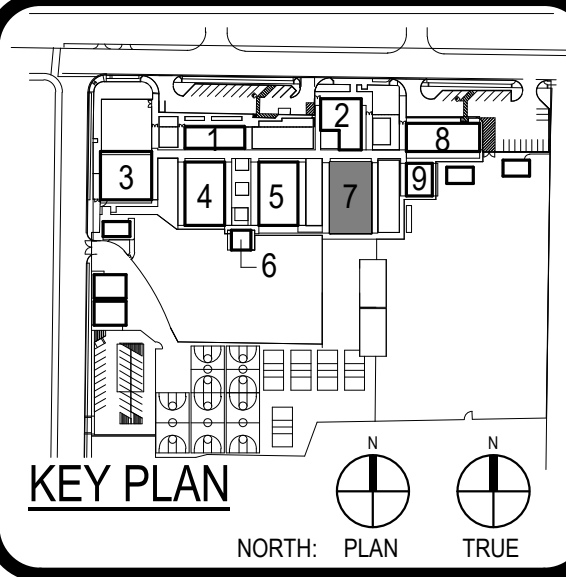


ARCHITECT PRBK Architects, Inc.
RANCHO CUCAMONGA
8163 Rochester Avenue, Suite 100
Rancho Cucamonga
California 91730
P 909-987-0909

CONSULTANT LEAF ENGINEERS
8163 Rochester Avenue, Suite 100
Rancho Cucamonga, CA 91730
909-987-0909
leafengineers.com

WALNUT GROVE I.S. - SCIENCE LAB MOD.

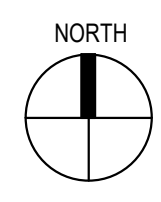
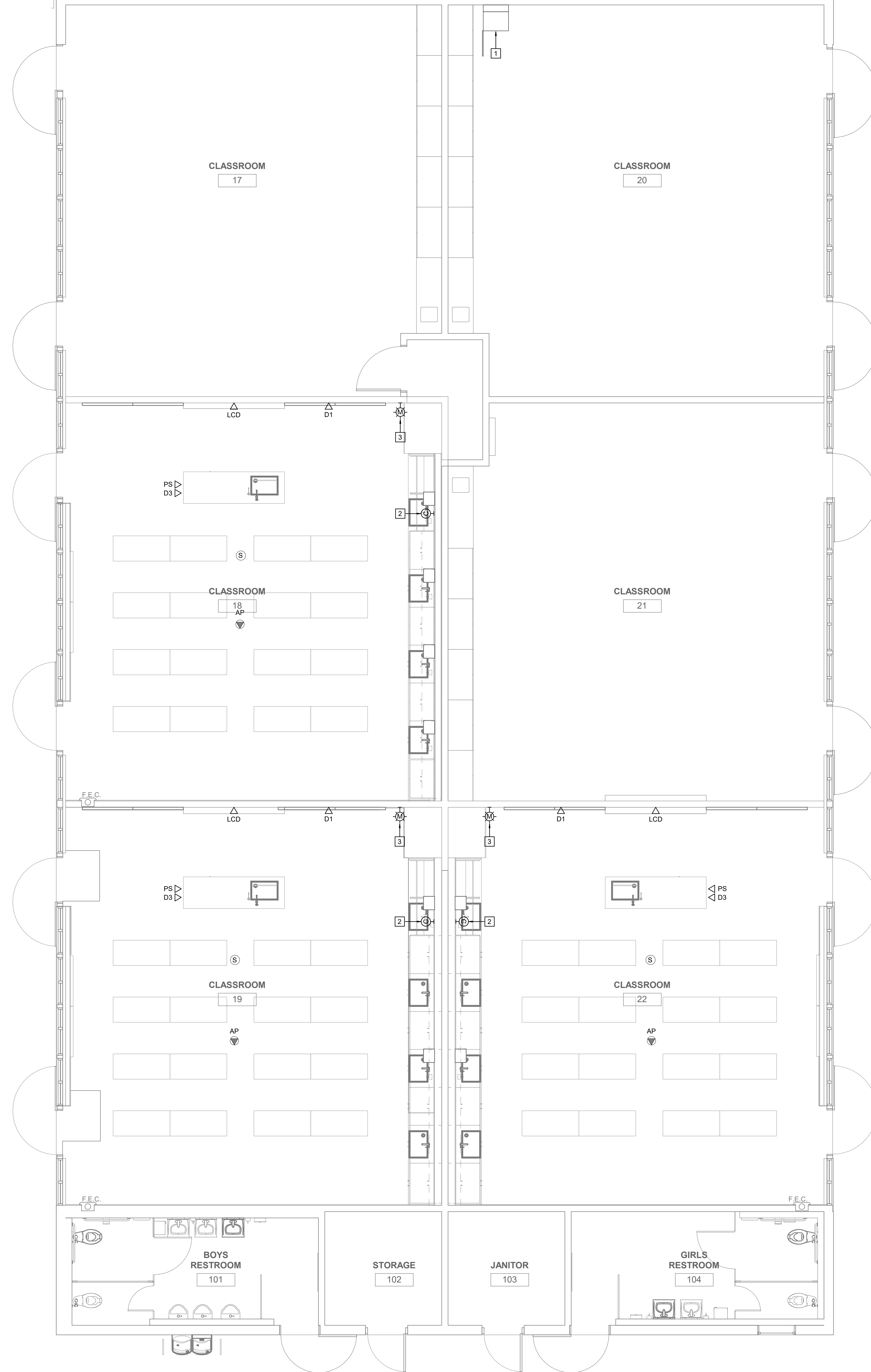
PROJECT ADDRESS:
614 E. Yuma Ave.
West Covina, CA 91790
DSA BACKCHECK
DSA APPL. NO. 03-123048 DSA FILE NO. 19-110



CLIENT WEST COVINA USD
DATE 02/22/2023 PROJECT NUMBER 220117

REVISIONS		
No.	Description	Date

DSA BACKCHECK
TECHNOLOGY DEMOLITION FLOOR PLAN - BLDG 7



GENERAL NOTES

HALFTONED DEVICES ARE EXISTING TO REMAIN

KEY NOTES

- 1** INDICATES APPROXIMATE LOCATION OF EXISTING IDF RACK. CONTRACTOR SHALL FURNISH LC-DUPLEX FIBER PATCH CABLE FOR NEW (OFC) NETWORK SWITCH AND 110 % COPPER PATCH CABLES REQUIRED.
- 2** (CLOCK) INDICATES APPROPRIATE LOCATION OF RELOCATED EXISTING DEVICE WITH EXISTING CABLING. SEE DETAIL T6.01/06
- 3** (MOTION) INDICATES APPROXIMATE LOCATION OF NEW DEVICE WITH REROUTED EXISTING CABLING. SEE DETAIL T6.01/09

IDENTIFICATION STAMP
 DIV. OF THE STATE ARCHITECT
 APP: 03-123048 INC.
 REVIEWED FOR
 SS FLS ACS
 DATE: 10/05/2023



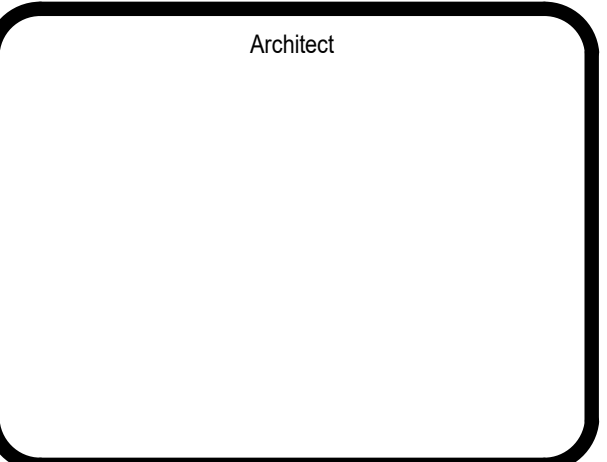
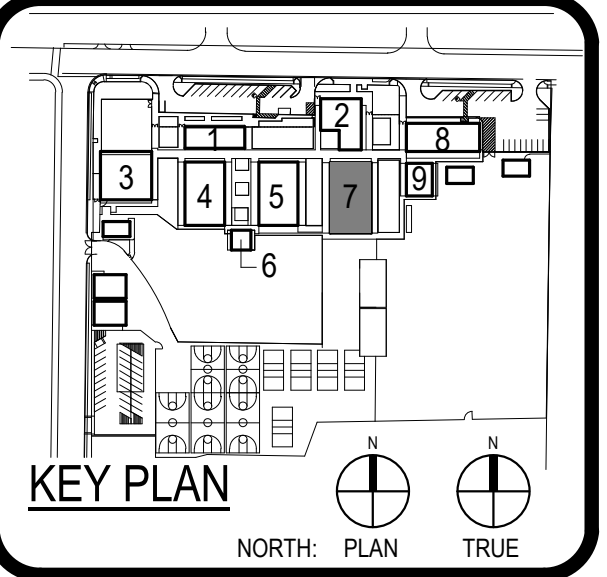
ARCHITECT PRK Architects, Inc.
 RANCHO CUCAMONGA
 8163 Rochester Avenue, Suite 100
 Rancho Cucamonga
 California 91730
 P 909-987-0909

CONSULTANT LEAF ENGINEERS

 8163 Rochester Avenue, Suite 100
 Rancho Cucamonga, CA 91730
 909.987.0909
 leafengineers.com

WALNUT GROVE I.S. - SCIENCE LAB MOD.

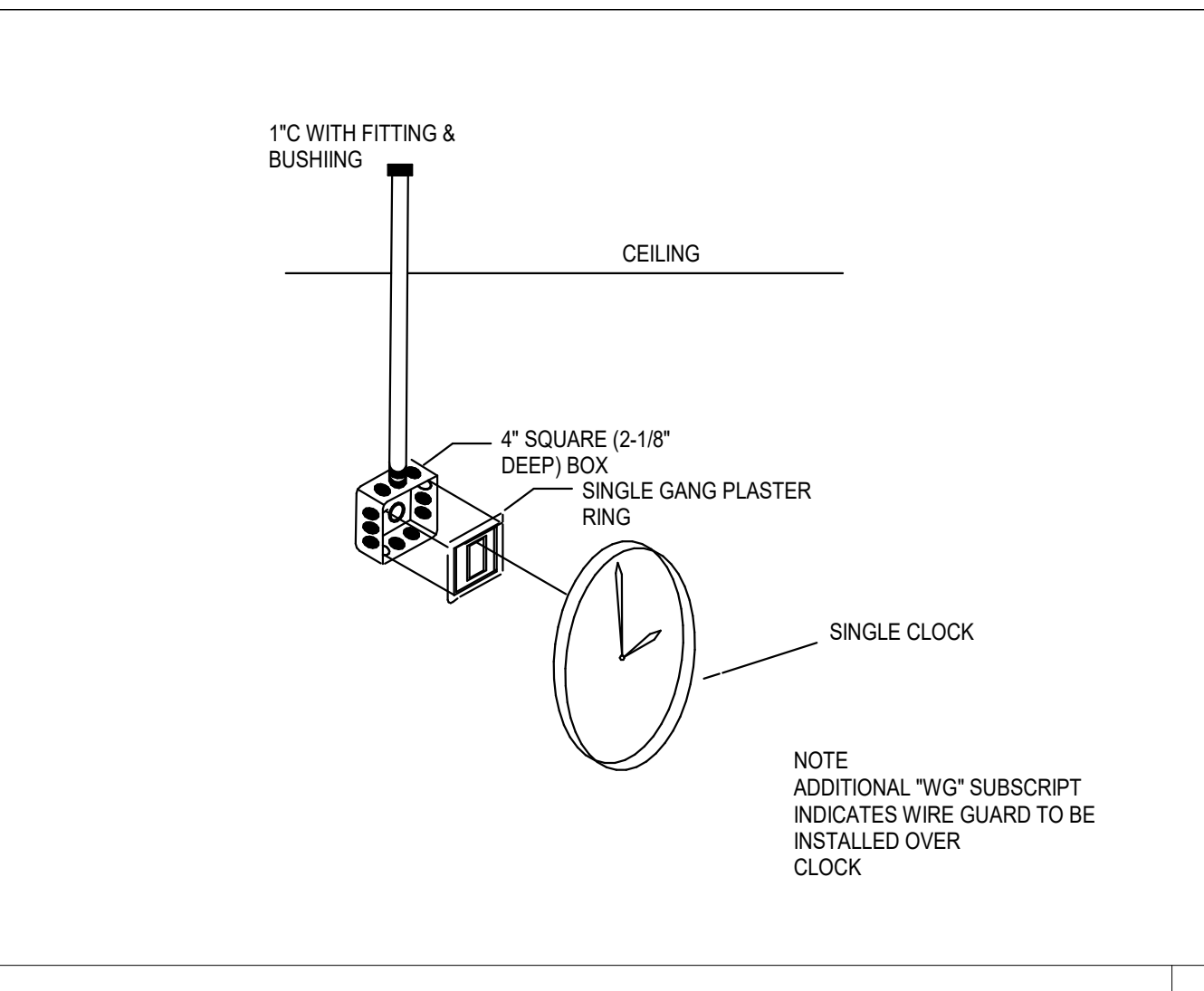
PROJECT ADDRESS:
 614 E Yuma Ave
 West Covina, CA 91790
 DSA BACKCHECK
 DSA APPL. NO. 03-723948 DSA FILE NO. 19-110



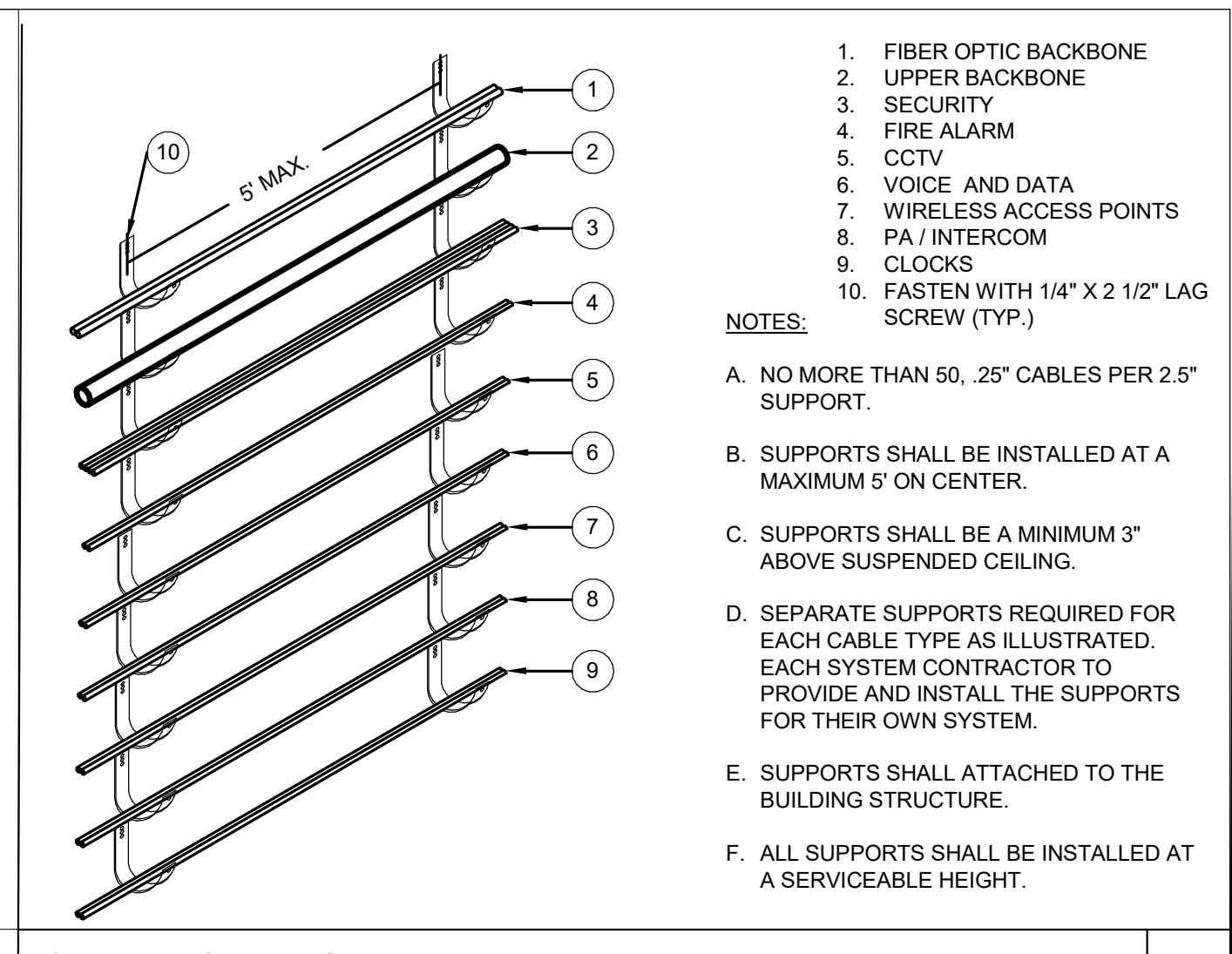
REVISIONS		
No.	Description	Date

CLIENT WEST COVINA USD
 DATE 02/22/2023 PROJECT NUMBER 220117
 DSA BACKCHECK

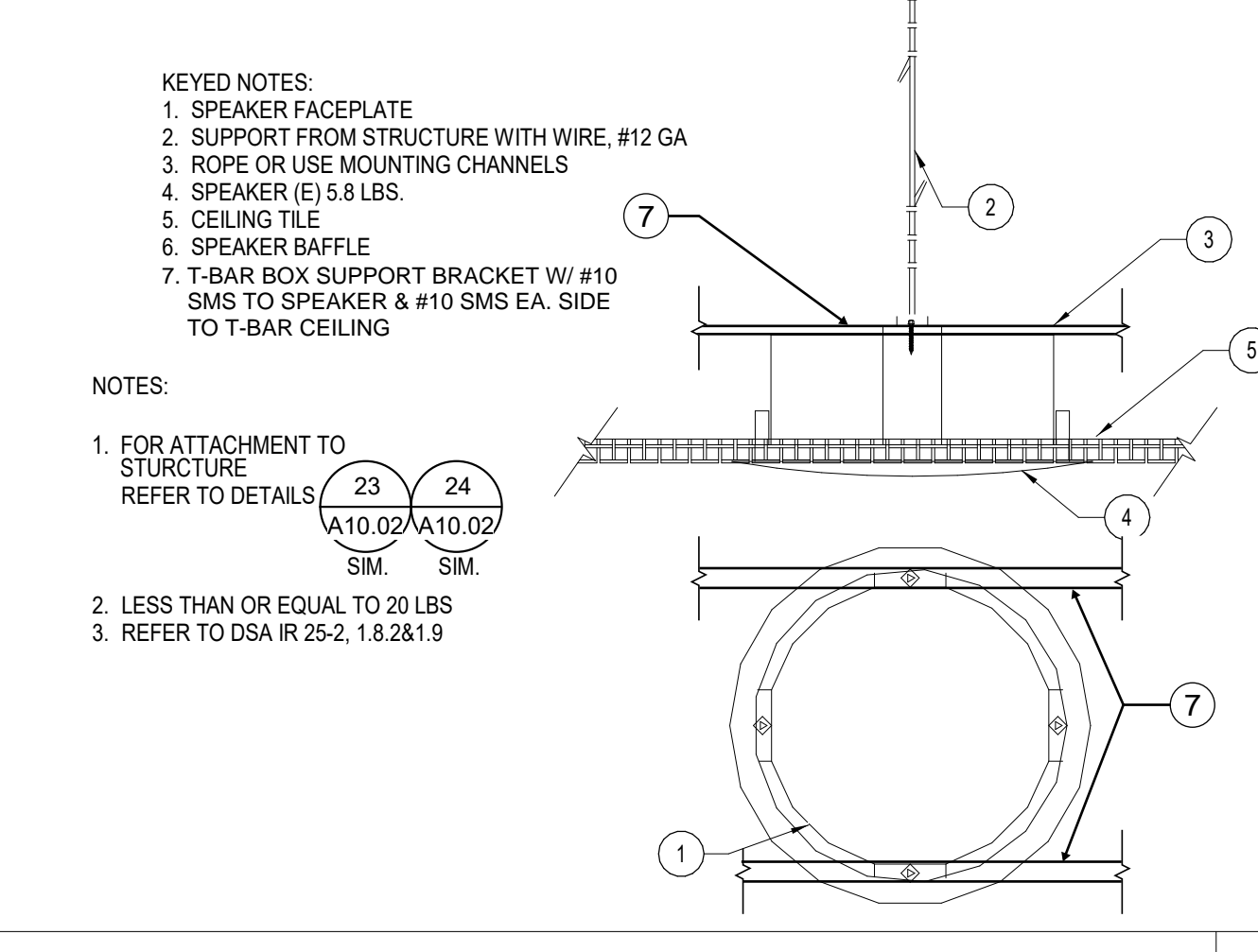
TECHNOLOGY NEW FLOOR PLAN - BLDG 7



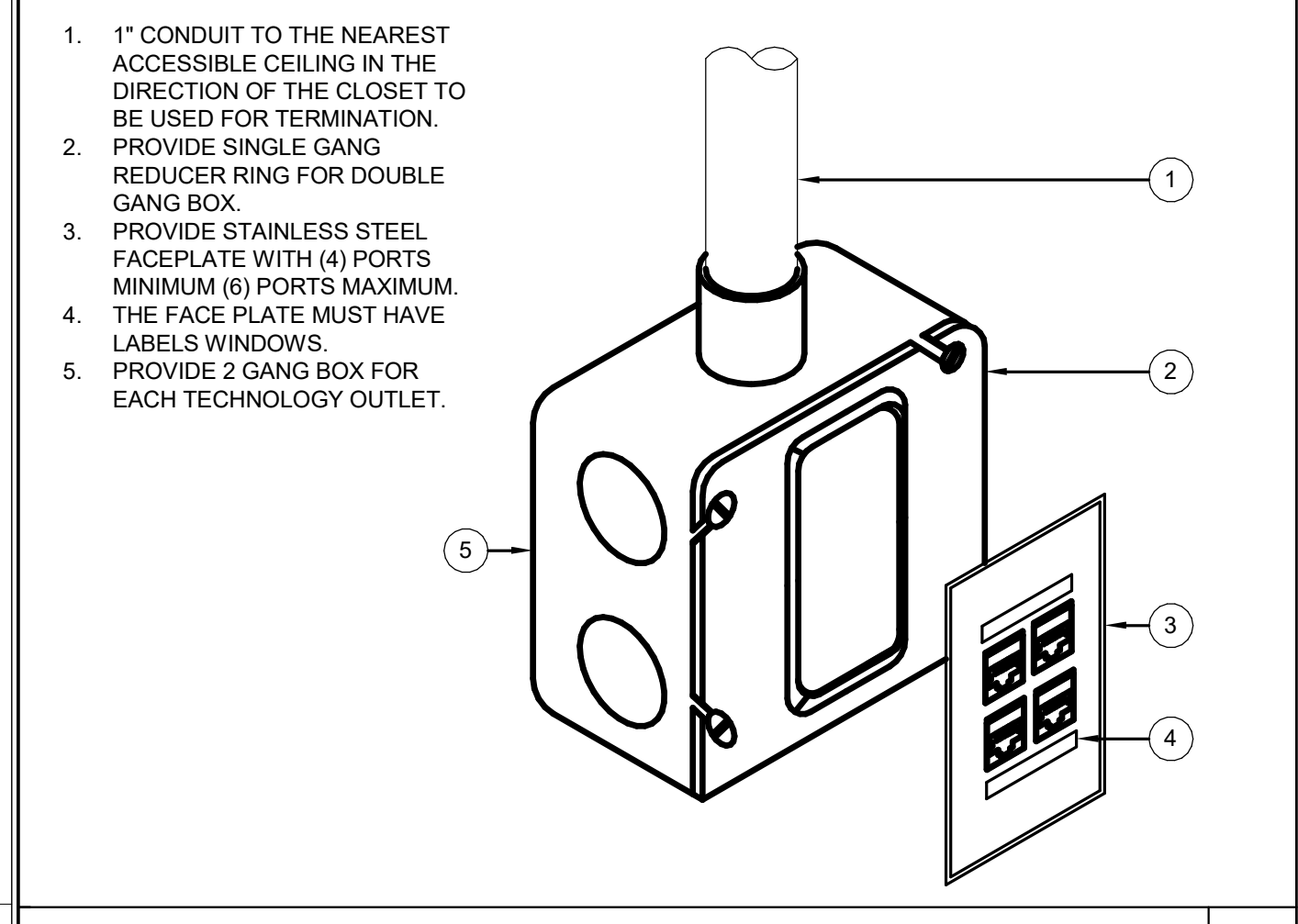
SINGLE DIGITAL CLOCK MOUNTING N.T.S 06



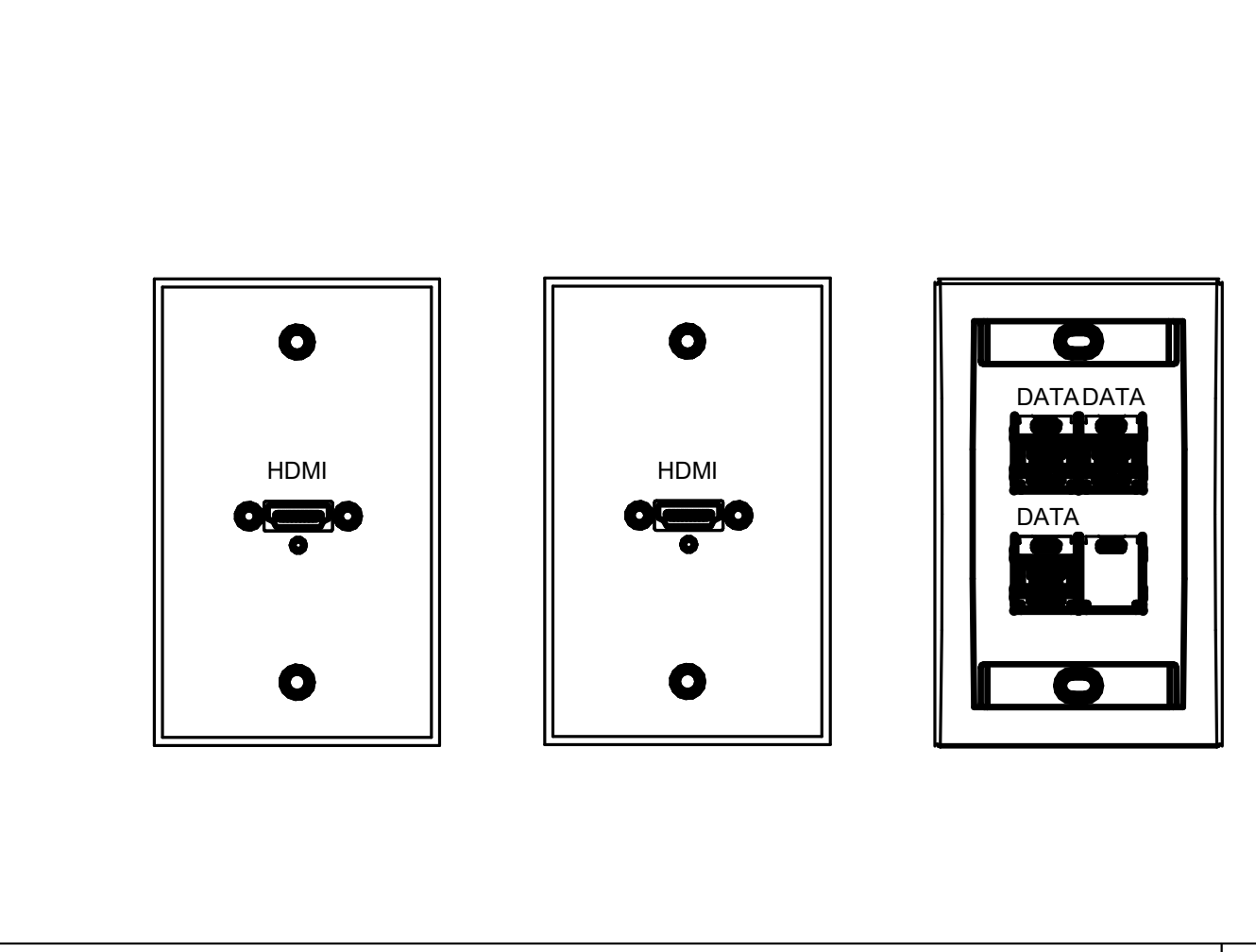
CABLE SUPPORT DETAIL N.T.S 01



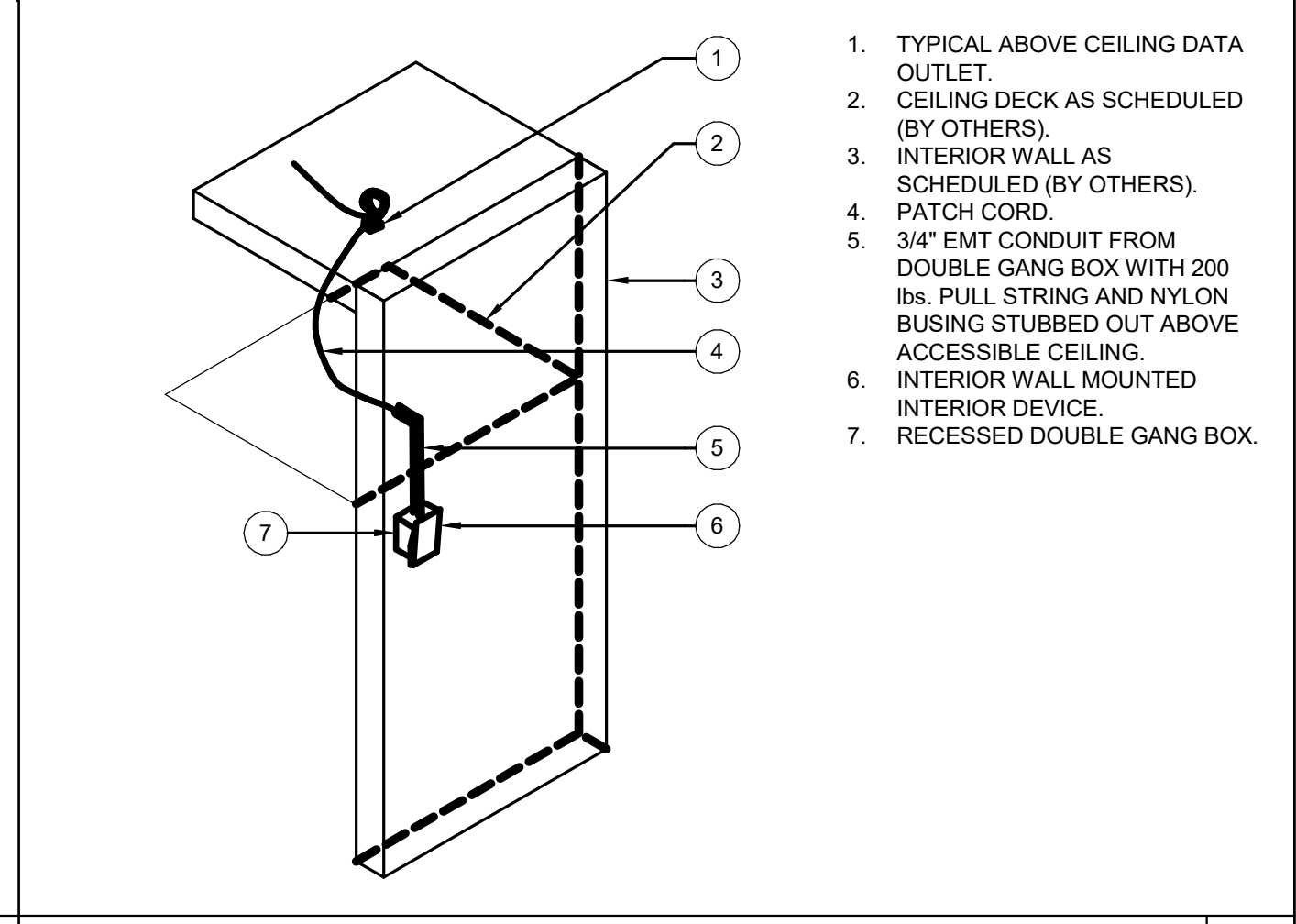
70V IN-CEILING RECESSED SPEAKER N.T.S 07



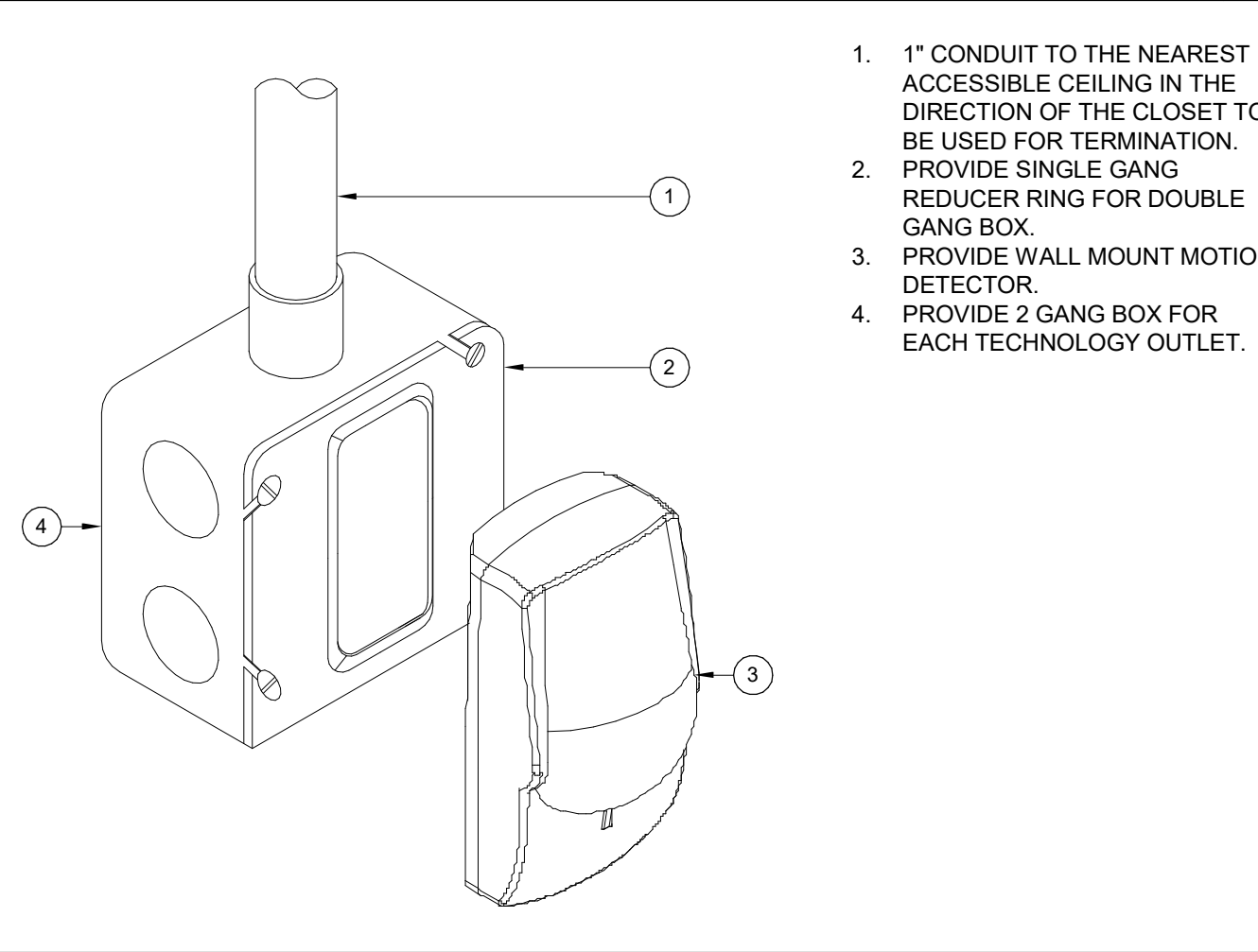
TECHNOLOGY OUTLET BOX DETAIL N.T.S 02



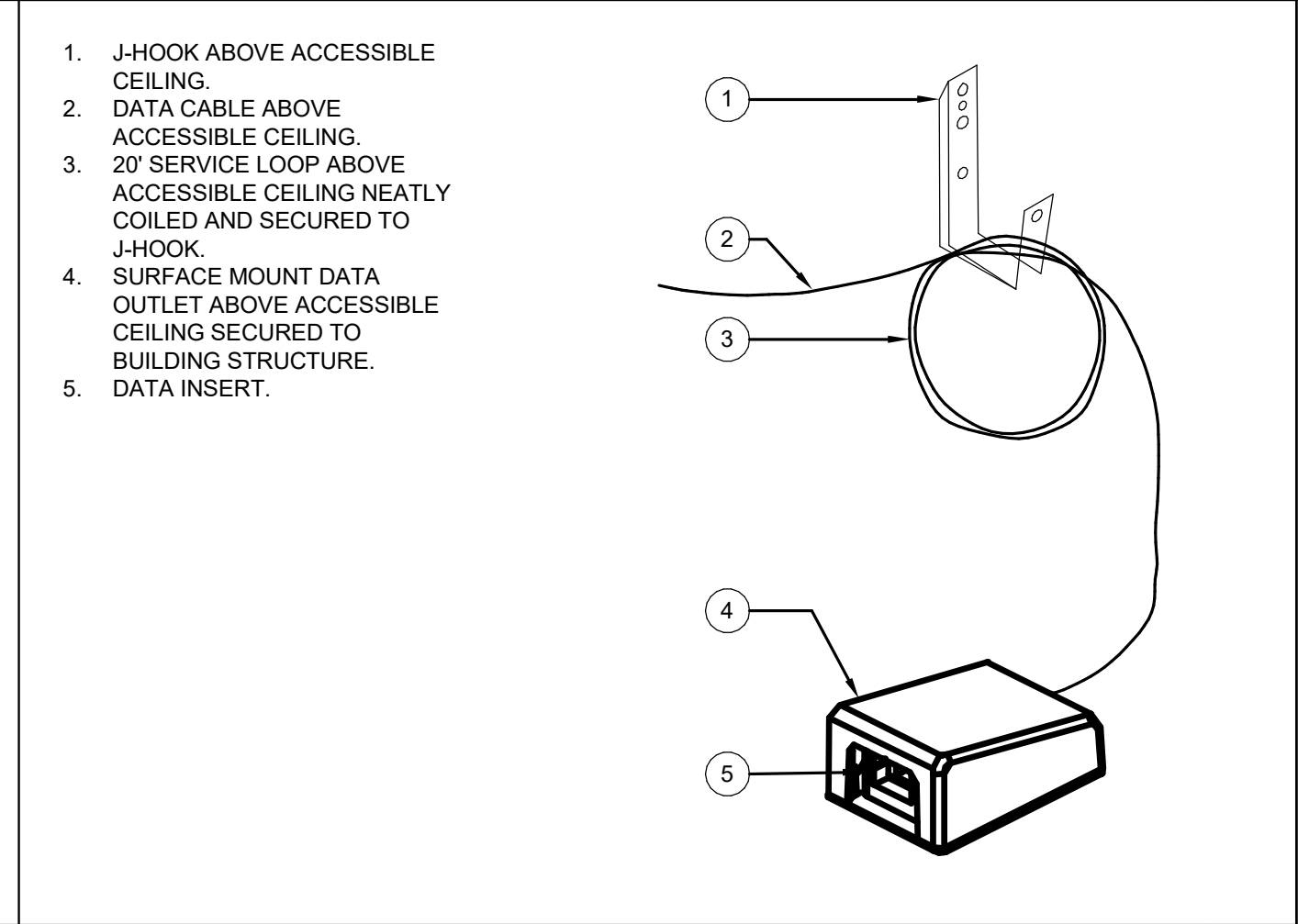
LCD / PS / D3 OUTLET DETAIL N.T.S 08



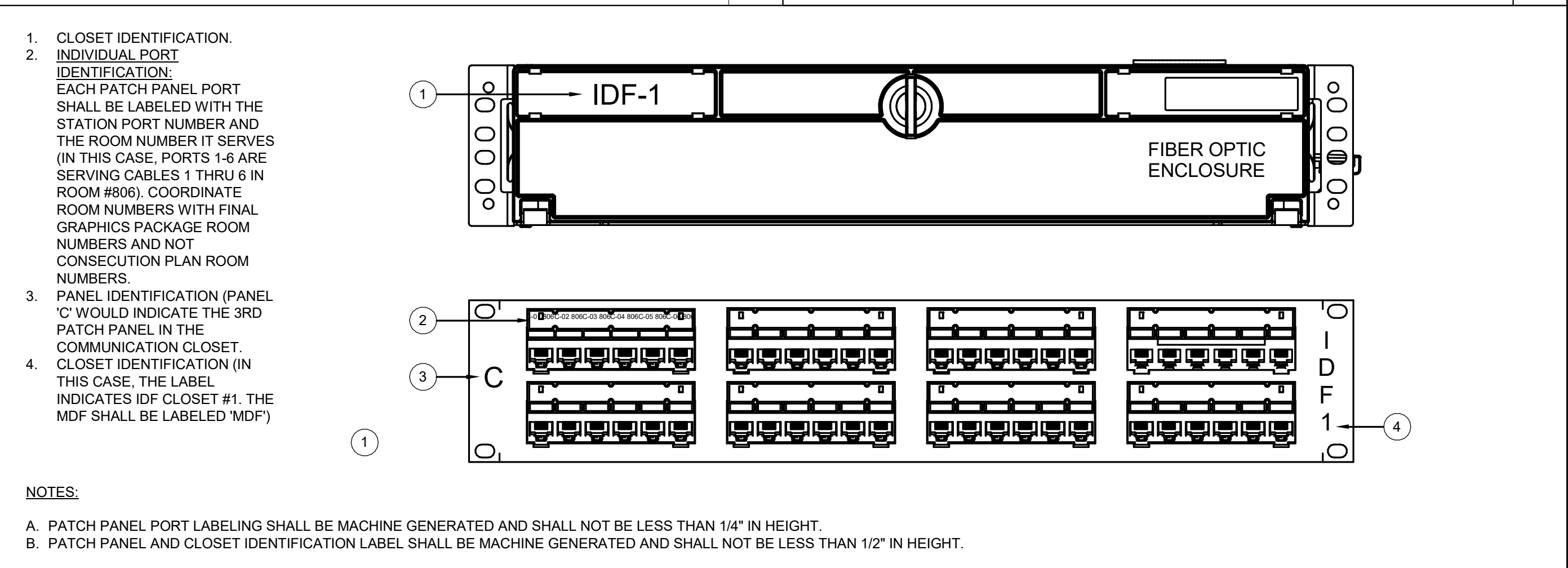
INTERIOR WALL MOUNTED DEVICE N.T.S 03



TECHNOLOGY OUTLET BOX DETAIL N.T.S 09



ABOVE CEILING DATA OUTLET N.T.S 04



FIBER ENCLOSURE / PATCH PANEL LABELING DETAIL N.T.S 05

IDENTIFICATION STAMP
DIV. OF THE STATE ARCHITECT
APP: 03-123048 INC.
REVIEWED FOR
SS FLS ACS
DATE: 10/05/2023

PRK

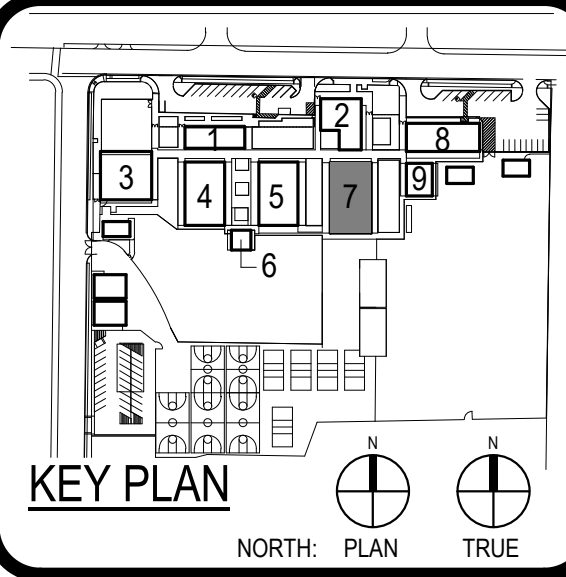
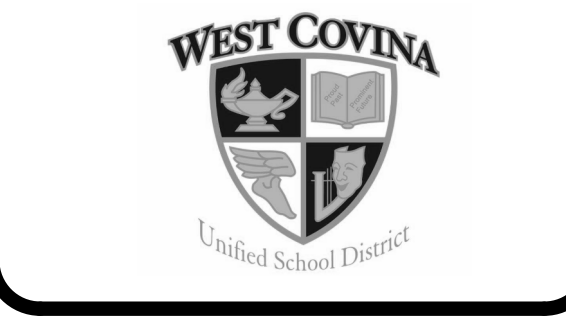
ARCHITECT PRK Architects, Inc.
RANCHO CUCAMONGA
8163 Rochester Avenue, Suite 100
Rancho Cucamonga
California 91730
P 909-987-0909

CONSULTANT LEAF ENGINEERS

LEAF ENGINEERS
8163 Rochester Avenue, Suite 100
Rancho Cucamonga, CA 91730
909.987.0909
leafengineers.com

WALNUT GROVE I.S. - SCIENCE LAB MOD.

PROJECT ADDRESS:
614 E. Yuma Ave.
West Covina, CA 91790
DSA BACKCHECK
DSA APPL. NO. 03-123048 DSA FILE NO. 19-110



Architect

CLIENT		
WEST COVINA USD		PROJECT NUMBER
DATE	02/22/2023	220117
REVISIONS		
No.	Description	Date

DSA BACKCHECK

TECHNOLOGY DETAILS

T6.01

DEVICE SCHEDULE

Table with columns: SYMBOL, DESCRIPTION, MODEL, MANUFACTURER, BACKBOX, MOUNTING HEIGHT, C.S.F.M. NUMBER. Lists various fire alarm devices like control panels, detectors, and horns.

NOTE: 1. UNLESS NOTED AS EXISTING, ALL THE DEVICES SHOWING ON THE DRAWINGS ARE NEW.

LEGENDS

Table with columns: ABBREVIATION, DESCRIPTION. Lists symbols for electrical components like switches, conduits, and equipment.

APPLICABLE CODES

PARTIAL LIST OF APPLICABLE CODES: 2022 CALIFORNIA ADMINISTRATIVE CODE (CAC), PART 1, TITLE 24 CCR... 2022 CALIFORNIA BUILDING CODE (CBC), PART 2, TITLE 24 CCR...

PARTIAL LIST OF APPLICABLE STANDARDS: NFPA 72 NATIONAL FIRE ALARM AND SIGNALING CODE (AS AMENDED), 2018 EDITION... NFPA 720 STANDARD FOR THE INSTALLATION OF CARBON MONOXIDE DETECTION AND WARNING EQUIPMENT...

FIRE WATCH NOTE

A FIRE WATCH SHALL BE ESTABLISHED AND THE FIRE DEPARTMENT & FIRE CODE OFFICIAL SHALL BE NOTIFIED IMMEDIATELY WHENEVER THE FIRE PROTECTION / ALARM SYSTEM IS RENDERED OUT OF SERVICE...

SCOPE OF WORK

PROVIDE COMPLETE FULL AUTOMATIC ADDRESSABLE FIRE ALARM SYSTEM WITHIN THE AREA OF WORK. PROVIDE FIRE ALARM SYSTEM DEVICES AS SHOWN IN EQUIPMENT LEGEND, FLOOR PLANS, AND SPECIFICATIONS...

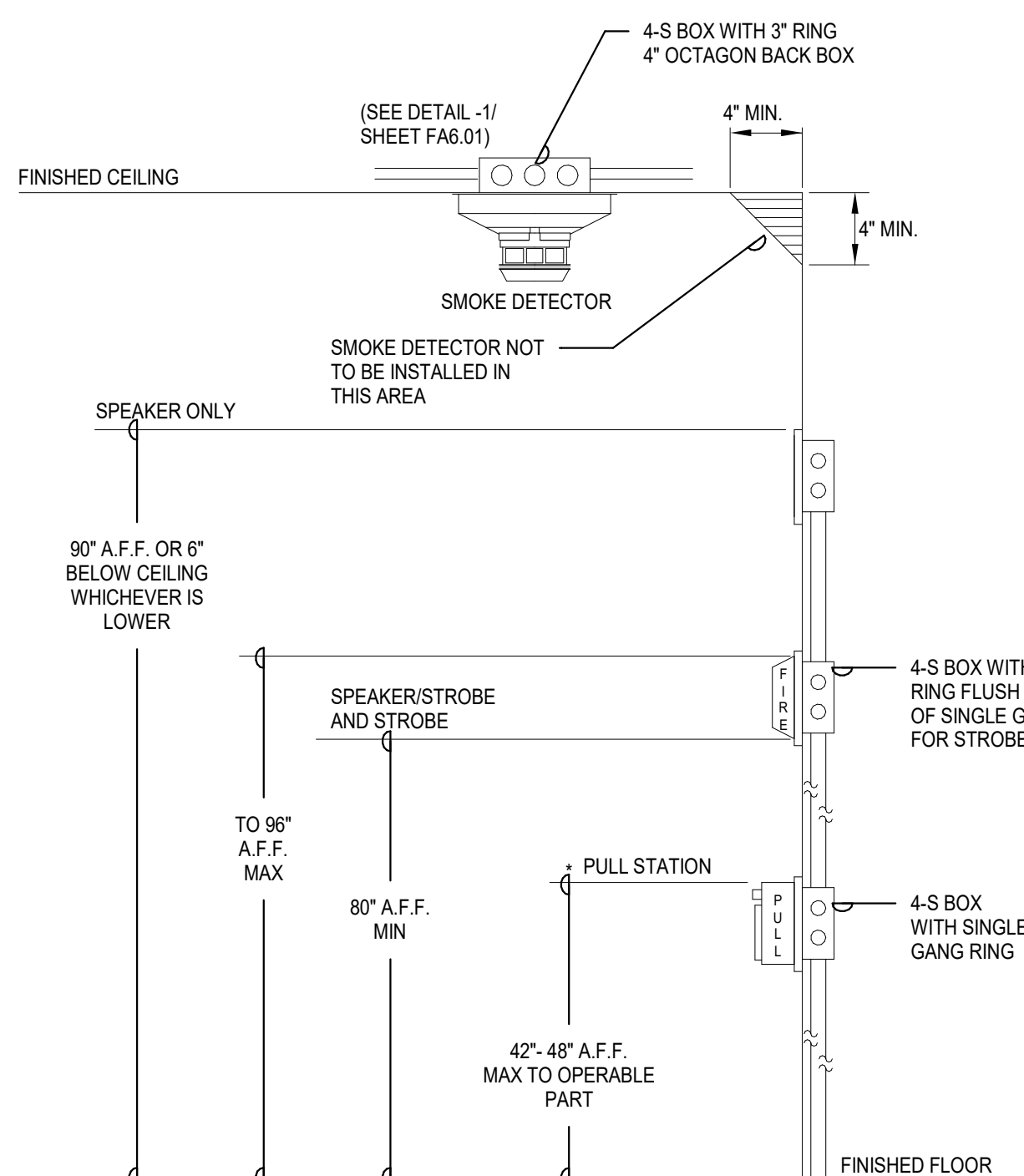
DRAWING INDEX

Table with columns: SHEET, DESCRIPTION. Lists sheets FA0.00 through FA6.01 and their corresponding descriptions.

GENERAL NOTES

- 1. APPLICABLE STANDARD 2016, NFPA 72, AS ADOPTED AND AMENDED IN CBC CHAPTER 35... 2. INSTALLATION OF THE SYSTEMS SHALL NOT BE STARTED UNTIL DETAILED DESIGN DOCUMENTS AND SPECIFICATION...

ELEVATION MOUNTING DETAIL

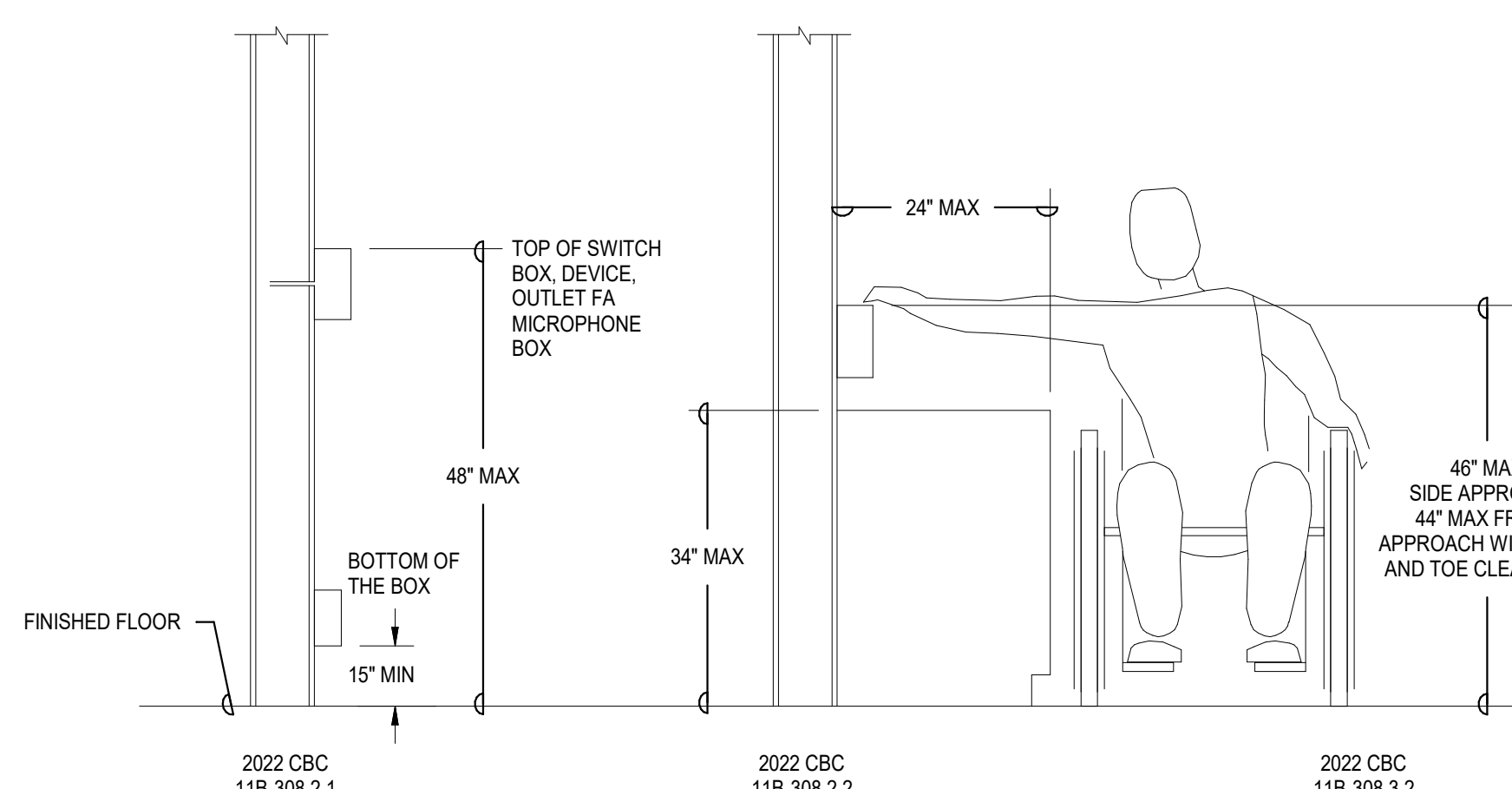


NOTES: THE ENTIRE LENS OF STROBE LIGHTS MUST BE BETWEEN 80" AND 96" ABOVE FLOOR FINISH (AFF)... IF CEILING HEIGHTS EXCEED 30 FEET, STROBE LIGHTS MUST BE SUSPENDED AT OR BELOW 30 FEET...

SEQUENCE OF OPERATIONS

Table with columns: DEVICE ACTION, AREA SMOKE DETECTOR, CARBON MONOXIDE DETECTOR, HEAT DETECTOR, 120VAC POWER FAILURE, SHORT CIRCUIT, GROUND FAULT, BATTERY FAILURE. Lists actions like 'SOUND ALARM AT FACP' and their responses.

MOUNTING OVER OBSTRUCTION DETAIL



NOTES: 1. THIS DETAIL APPLIES TO MOUNTING OF ANY MECHANICAL AND ELECTRICAL DEVICE WHICH CONTAINS AN OPERABLE PART THAT IS ADJUSTABLE BY THE OCCUPANT...

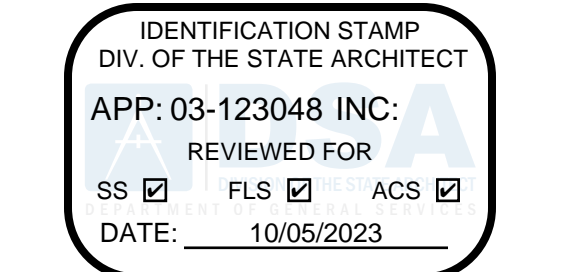
WIRE SCHEDULE

Table with columns: WIRE DESIGNATION, WIRE IN CONDUIT, WIRE IN CONDUIT UNDERGROUND/WET LOC., UNDERGROUND/WET WIRE DESIGNATION. Lists wire types and quantities for various circuits.

NOTE: ALL WIRE MODEL NUMBERS ARE WEST PENN. EQUIVALENT BY OTHER MANUFACTURER IS ACCEPTABLE.

FIRE ALARM REQUIREMENTS

- THE CONTRACTOR SHALL PROVIDE AND SUBMIT THE FIRE ALARM SHOP DRAWINGS TO THE ARCHITECT FOR REVIEW AND APPROVAL PRIOR TO INSTALLATION OF THE FIRE ALARM SYSTEM... A. SHOP DRAWINGS: COMPLETE 1/8" SCALE FLOOR PLANS SHOWING ALL DEVICES, COMPONENTS, CONDUIT AND WIRING INDICATING A COMPLETE AND OPERABLE SYSTEM AS DESIGNED AND SPECIFIED...



ARCHITECT PRK Architects, Inc. 8163 Rochester Avenue, Suite 100 Rancho Cucamonga, California 91730

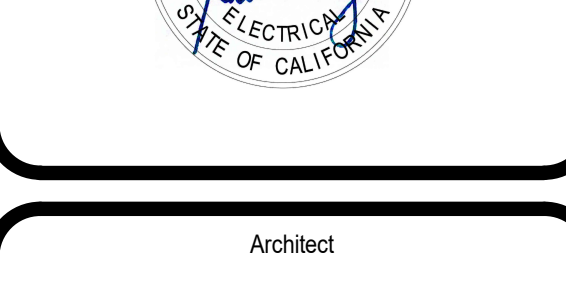
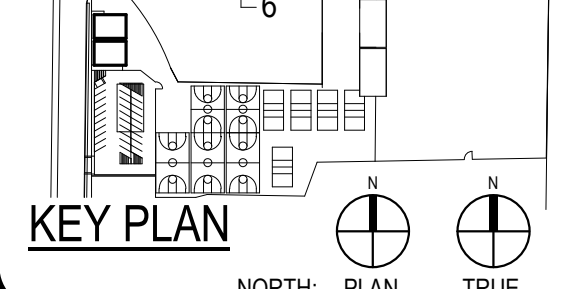
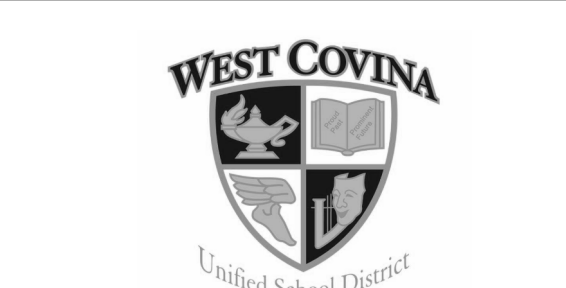
CONSULTANT LEAF ENGINEERS 8163 Rochester Avenue, Suite 100 Rancho Cucamonga, CA 91730

PROJECT ADDRESS: 614 E. 17th Ave. West Covina, CA 91790

PROJECT NO.: 220117

DATE: 02/22/2023

REVISIONS table with columns: No., Description, Date.



CLIENT WEST COVINA USD DATE 02/22/2023 PROJECT NUMBER 220117

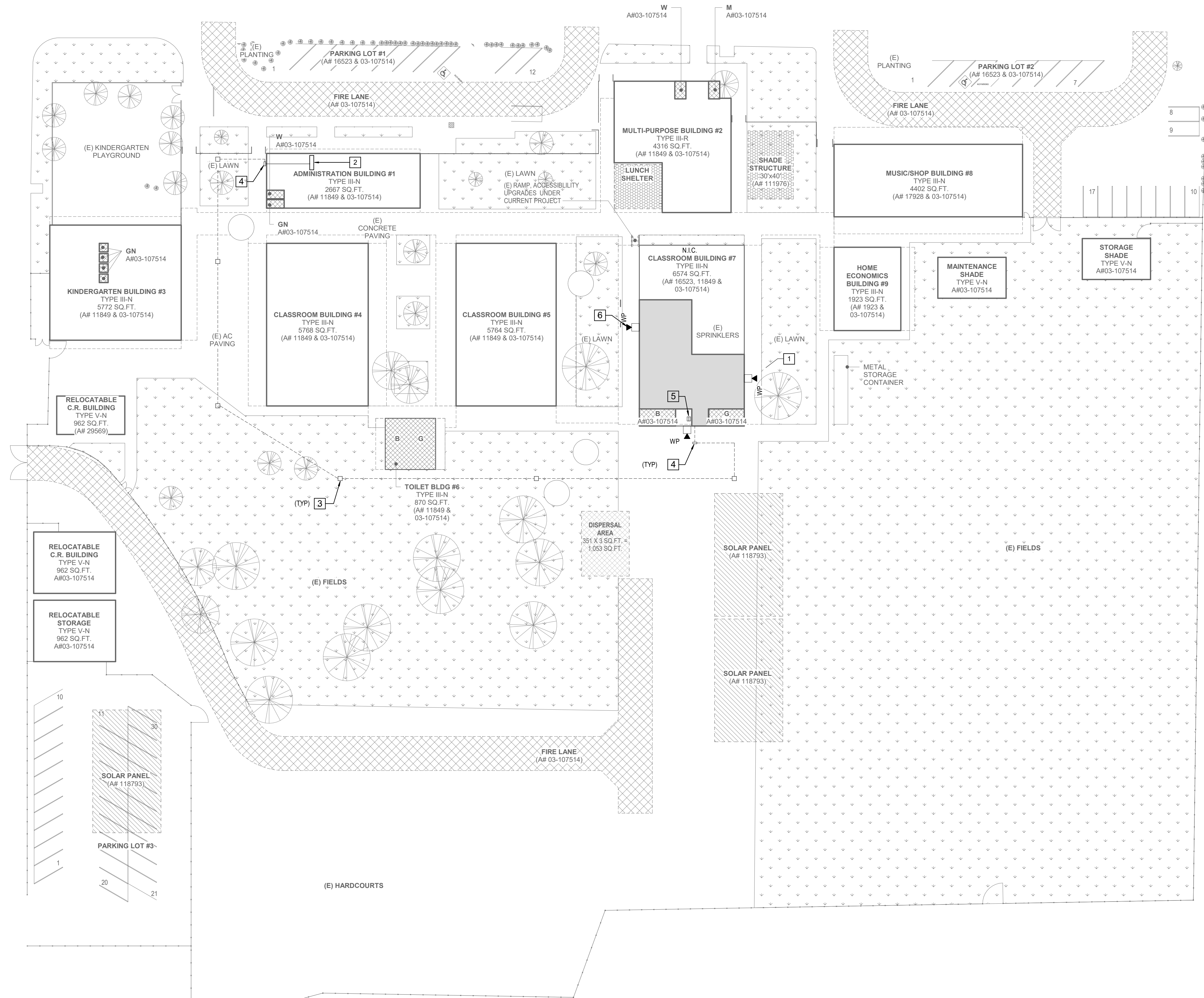
REVISIONS table with columns: No., Description, Date.

DSA BACKCHECK FIRE ALARM SYMBOLS, NOTES, AND ABBREVIATIONS

FA0.00

S WALNUT AVENUE

E VINE AVENUE



- KEY NOTES**
- 1 AREA OF WORK
 - 2 EXISTING EDWARDS EST3 (A# 03-107514) FIRE ALARM CONTROL PANEL AS SHOWN. FIELD VERIFY EXACT LOCATION.
 - 3 REUSE EXISTING 2'X2' UNDERGROUND PULL BOX WITH TRAFFIC COVER OTHERWISE PROVIDE NEW CONCRETE UNDERGROUND PULL BOXES AS 1" X 17" X 18" DEEP ON A 6" DEEP GRAVEL BASE. CONTRACTOR TO FIELD VERIFY THE EXISTING CONDITION AND LOCATION.
 - 4 REUSE EXISTING JUNCTION BOX AS SHOWN OTHERWISE PROVIDE NEW NEMA 3R WEATHERPROOF PULLBOX 18"X18"X18" FOR FIRE-ALARM. CONTRACTOR TO FIELD VERIFY THE EXISTING CONDITION AND LOCATION.
 - 5 EXISTING FIRE ALARM POWER SUPPLY AND TERMINAL CABINET AS SHOWN.
 - 6 WEATHERPROOF HORN DEVICES AS SHOWN (TYP).

IDENTIFICATION STAMP
 DIV. OF THE STATE ARCHITECT
 APP: 03-123048 INC.
 REVIEWED FOR
 SS FLS ACS
 DATE: 10/05/2023



ARCHITECT PRBK Architects, Inc.
 RANCHO CUCAMONGA
 8163 Rochester Avenue, Suite 100
 Rancho Cucamonga
 California 91730
 P 909-987-0909

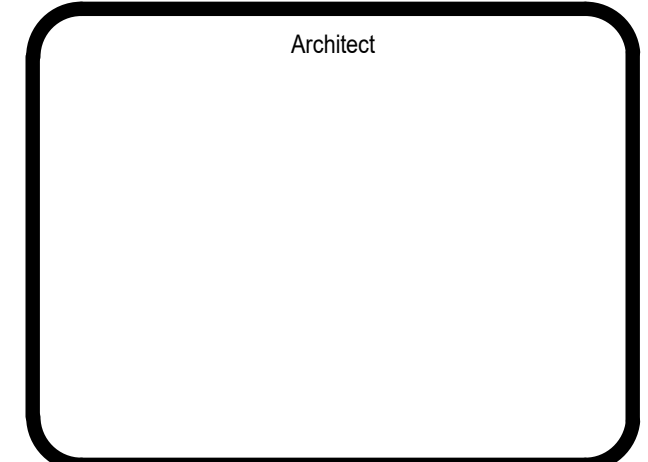
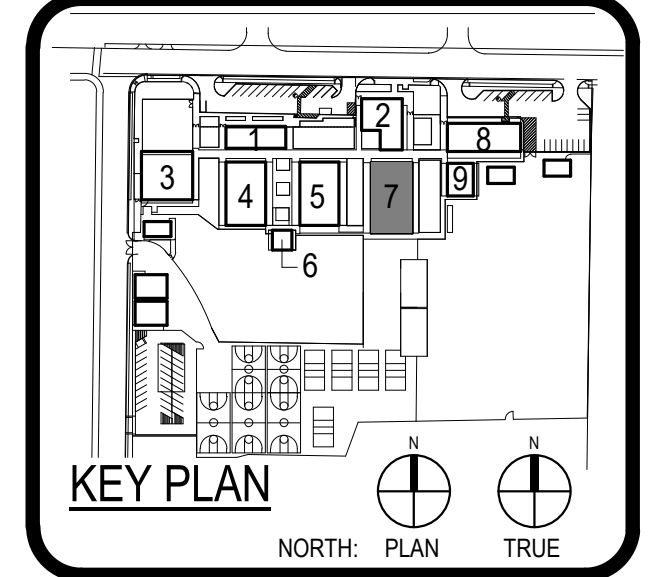
CONSULTANT LEAF ENGINEERS

 8163 Rochester Avenue, Suite 100
 Rancho Cucamonga, CA 91730
 909-987-0909
 leafengineers.com

WALNUT GROVE I.S. - SCIENCE LAB MOD.

PROJECT ADDRESS:
 614 E. Vine Ave.
 West Covina, CA 91790

DSA BACKCHECK
 DSA APPL. NO. 03-123048 DSA FILE NO. 19-110



CLIENT WEST COVINA USD

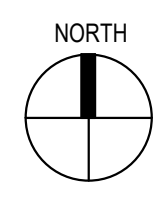
DATE 02/22/2023 PROJECT NUMBER 220117

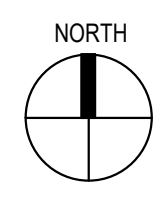
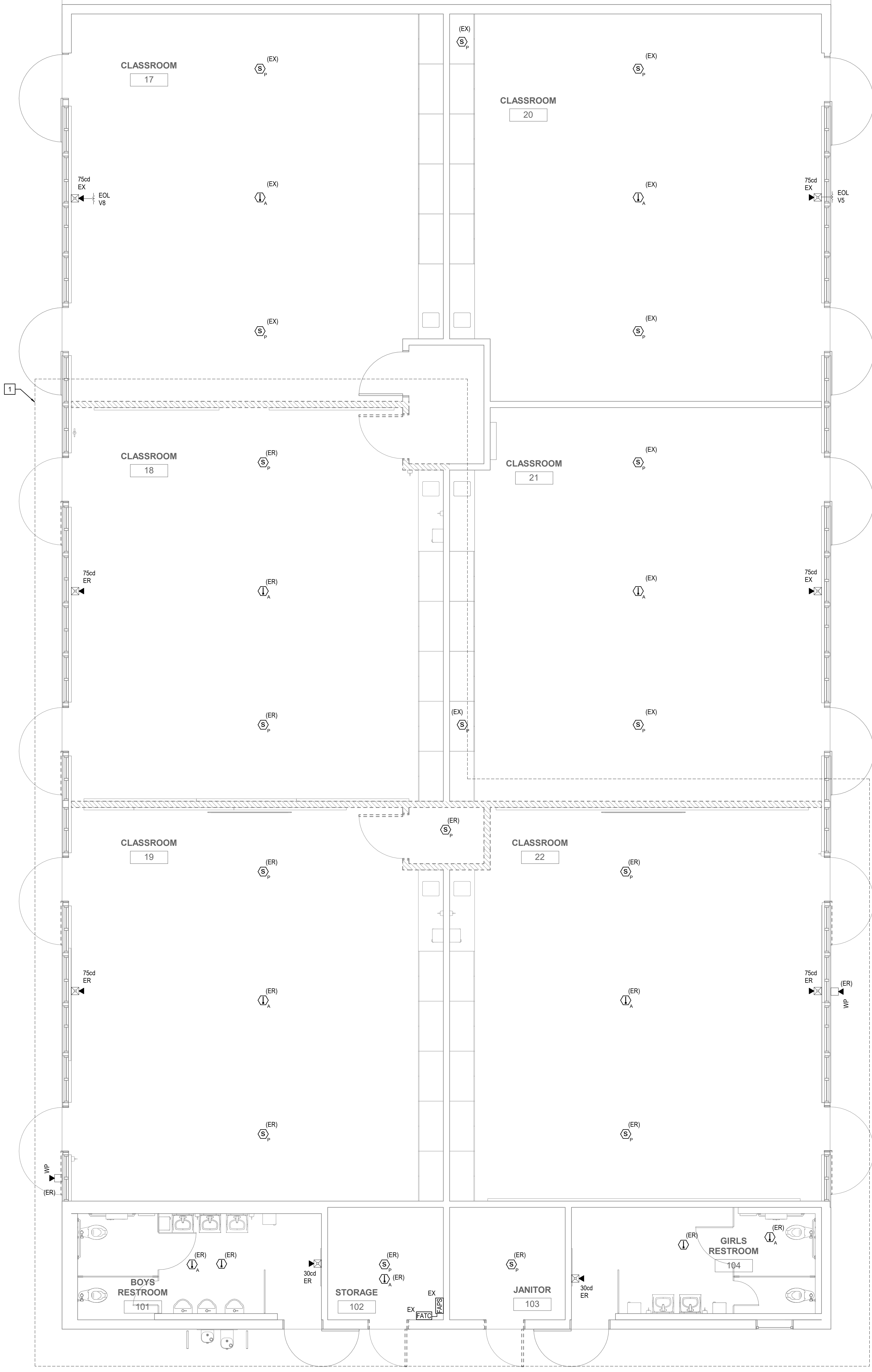
REVISIONS

No.	Description	Date

DSA BACKCHECK

FIRE ALARM SITE PLAN





GENERAL NOTES

- ER = EXISTING DEVICES TO BE REMOVED.
- N = NEW
- EX = EXISTING
- 1) DEMOLISH AND REMOVE ALL THE "EX" FIRE ALARM DEVICES AND REPLACE WITH BLANK COVER PLATES IF NECESSARY. DISCONNECT AND REMOVE ALL THE EXISTING CABLES BACK TO CONTROL PANEL.
- 2) ALL THE EXISTING DEVICES SHOWN ON THE PLAN WILL REMAIN EXISTING.

KEY NOTES

- 1 AREA OF WORK

IDENTIFICATION STAMP
DIV. OF THE STATE ARCHITECT
APP: 03-123048 INC.
REVIEWED FOR
SS FLS ACS
DATE: 10/05/2023

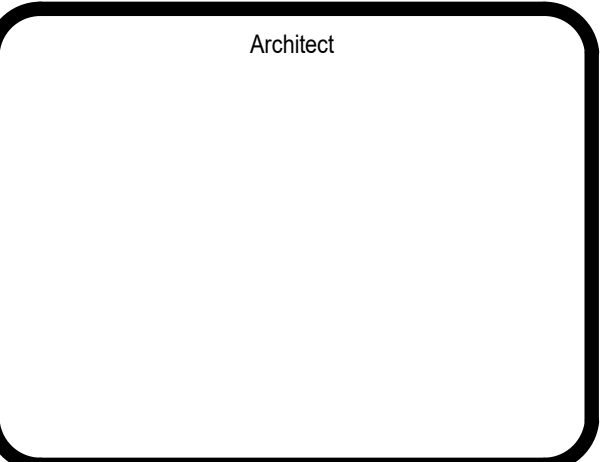
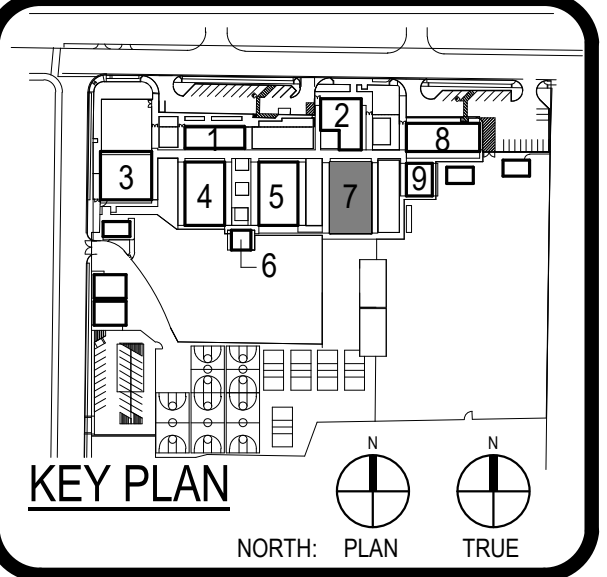


ARCHITECT PBK Architects, Inc.
RANCHO CUCAMONGA
8163 Rochester Avenue, Suite 100
Rancho Cucamonga, CA 91730
P 909-987-0909

CONSULTANT LEAF ENGINEERS
8163 Rochester Avenue, Suite 100
Rancho Cucamonga, CA 91730
909.987.0909
leafengineers.com

WALNUT GROVE I.S. - SCIENCE LAB MOD.

PROJECT ADDRESS:
614 E Yuma Ave
West Covina, CA 91790
DSA BACKCHECK
DSA APP# NO. 03-123048 DSA FILE NO. 19-110

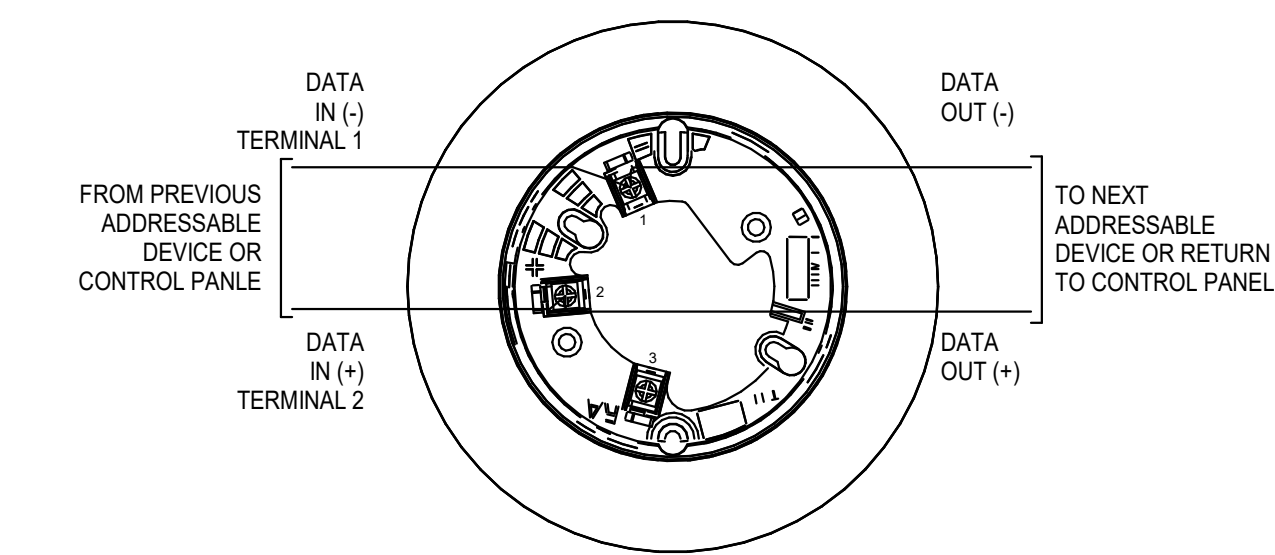
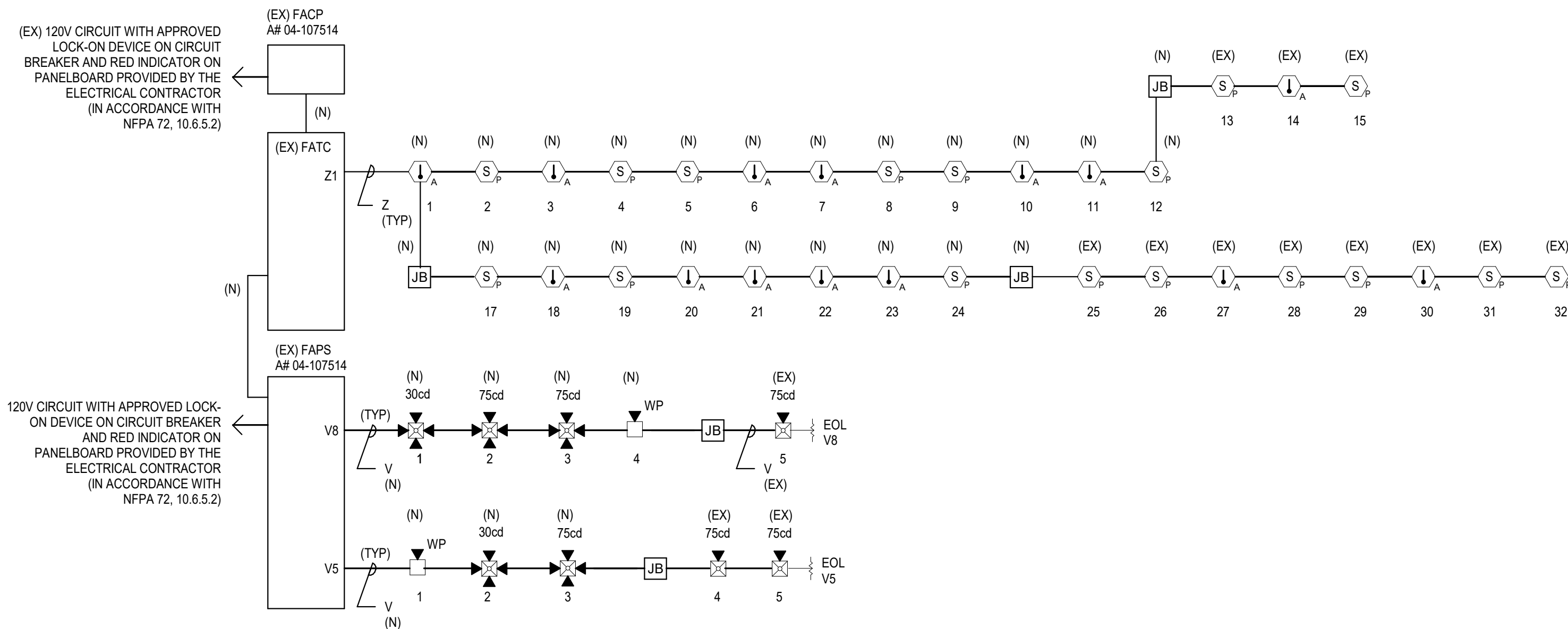


REVISIONS		
No.	Description	Date

CLIENT WEST COVINA USD
DATE 02/22/2023 PROJECT NUMBER 220117

DSA BACKCHECK

FIRE ALARM DEMOLITION FLOOR PLAN - BLDG 7



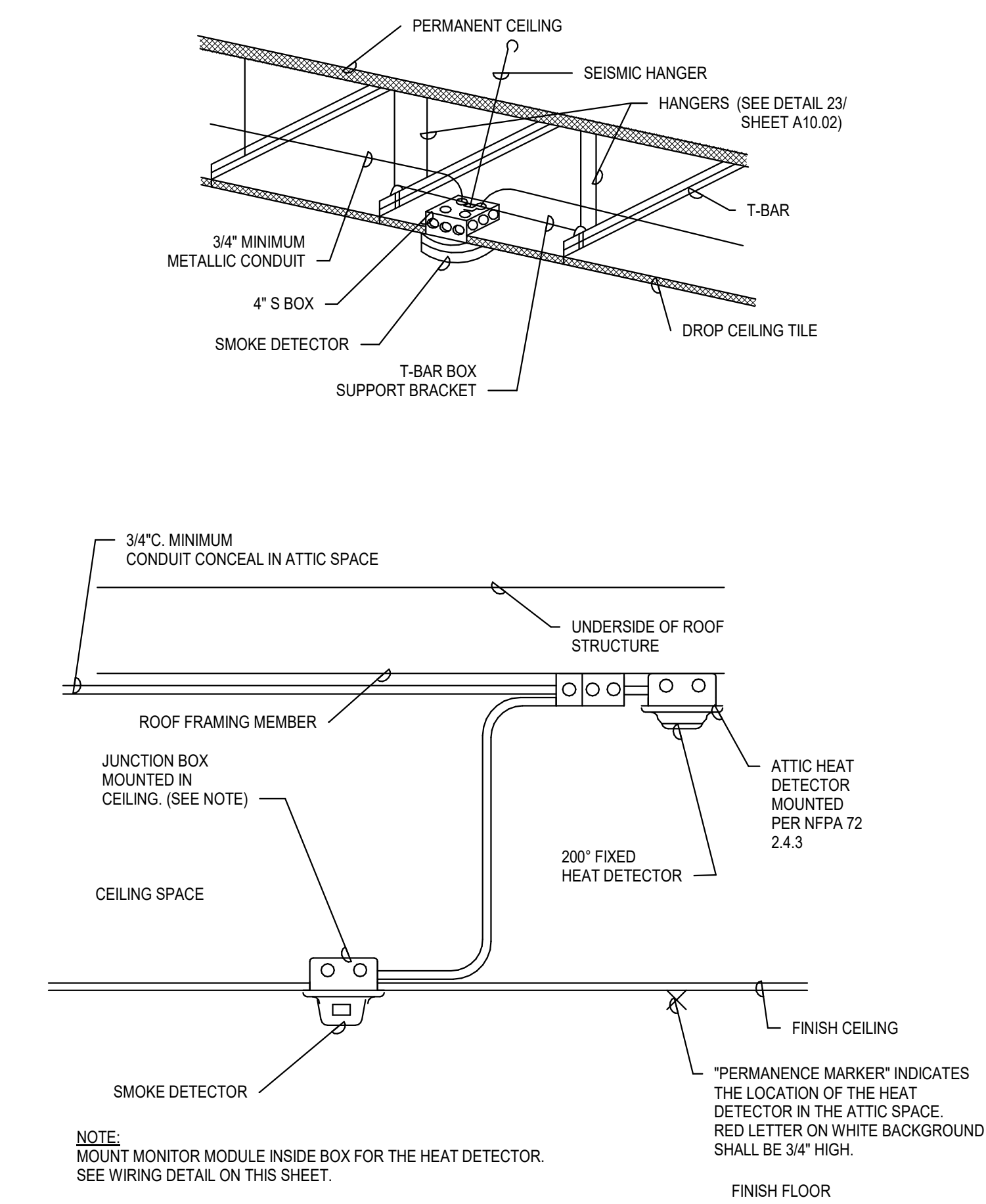
3 FIRE ALARM PARTIAL RISER DIAGRAM
NOT TO SCALE

2 SMOKE/HEAT DETECTOR DETAIL
NOT TO SCALE

FACP BATTERY CALCULATION SHEET				
FACP (EX) LOCATION: ADMIN				
QUANTITY	UNIT	TOTAL	UNIT	TOTAL
	STANDBY	STANDBY	ALARM	ALARM
	CURRENT(A)	CURRENT(A)	CURRENT(A)	CURRENT(A)
EX 1	3-CR/PPS	0.165000	0.165000	0.165000
EX 1	3-LCD	0.040000	0.040000	0.050000
EX 1	3-RS485	0.063000	0.063000	0.063000
EX 1	3-SDDC	0.081000	0.081000	0.081000
EX 1	3-SDC	0.166000	0.166000	0.081000
EX 1	3-IDCR/4	0.053000	0.053000	0.350000
EX 1	3-LCD-ANN	0.053000	0.053000	0.053000
EX 4	SIGA-CC1	0.000223	0.000892	0.000400
EX 4	SIGA-CR	0.000100	0.000400	0.000400
EX 40	SIGA-CT1	0.000250	0.010000	0.000400
EX 2	SIGA-WTM	0.000396	0.000792	0.000360
EX 76	SIGA-IPHS	0.000045	0.000340	0.000340
EX 4	SIGA-PS	0.000045	0.000180	0.000180
EX 41	2848-PL	0.000000	0.000000	0.000000
EX 16	SIGA-HRS	0.000045	0.000720	0.000720
EX 24	757-8A-T	0.000000	0.000000	3.000000
EX 8	757-3A-T	0.000000	0.000000	2.390000
EX 16	757-5A-T	0.000000	0.000000	1.120000
N 9	SIGA-OSCD	0.000032	0.000288	0.000288
N 11	SIGA-HFD	0.000032	0.000352	0.000352
N 2	W/F-HORN	0.000000	0.000000	0.040000
EX 5	SIGA-278	0.000250	0.001250	0.002000
EX 8	757-1A-T	0.000000	0.000000	0.420000
EX 14	757-5A-T	0.000000	0.000000	1.260000
SUB TOTAL			6.639	8.535
STANDBY CURRENT x 24 Hrs. (AH)			15.343 AH	
ALARM CURRENT x 5 MINUTES (AH)			0.712 AH	
TOTAL (AH)			16.055 AH	
20% DERATING			3.211 AH	
TOTAL DEMAND (AH)			19.266 AH	
RECOMMENDED MIN BATTERY SIZE			24 AH (EX)	

BATTERY CAPACITY CALCULATION SHEET					
FAPS (EX) LOCATION: CLASSROOM BLDG #7, STORAGE 102					
QUANTITY	Description	Unit Standby Current(A)	Total Standby Current(A)	Unit Alarm Current(A)	Total Alarm Current(A)
1	Ex Nac trip	0.075	0.075	0.075	0.075
1	Ex 15cd wall strobes	0.000	0.000	0.239	0.239
1	Ex 30cd wall strobes	0.000	0.000	0.086	0.086
4	Updated 75cd ceiling horn/strobes	0.000	0.000	0.142	0.568
2	New W/F Horn	0.000	0.000	0.020	0.040
2	New 30cd ceiling horn/strobe	0.000	0.000	0.151	0.302
3	New 75cd ceiling horn/strobe	0.000	0.000	0.281	0.843
Sub Total			0.075	2.579	
A - Battery Backup - Standby (Hour)			24		
B - Battery Backup (minutes)			5		
C - Allowable Error (%)			25		
D - Total Standby Backup (Amp-Hour)			1.800		
E - Total Alarm Backup (Amp-Hour)			0.215		
F - Allowable Error (C x (D + E))			0.504		
Total Amp-Hour Required (D + E + F)			2.519		
Required Battery Size (Ex)			7 Amp-Hour		

STROBES WORST CASE VOLTAGE DROP												
PANEL NAME	CIRCUIT NUMBER	WALL HORN	WALL HORN/STROBE				TOTAL CURRENT (AMPS)	TOTAL DISTANCE (FEET)	TOTAL VOLTAGE DROP (%)	TOTAL DEVICES		
			75cd	15cd	30cd	75cd						
FAPS (EX)	V5 (UPDATED)	1	0.020	0.142	0.109	0.151	0.281	0.318	0.736	200	2.03%	5
	V8 (UPDATED)	1				1	2	0.875	150	1.81%	5	
TOTAL		2	3	0	2	3	0					



4 FIRE ALARM VOLTAGE DROP AND BATTERY CALCULATIONS
NOT TO SCALE

1 DROP CEILING DEVICE INSTALLATION DETAIL
NOT TO SCALE

IDENTIFICATION STAMP
DIV. OF THE STATE ARCHITECT
APP: 03-123048 INC.
REVIEWED FOR
SS FLS ACS
DATE: 10/05/2023

PRK

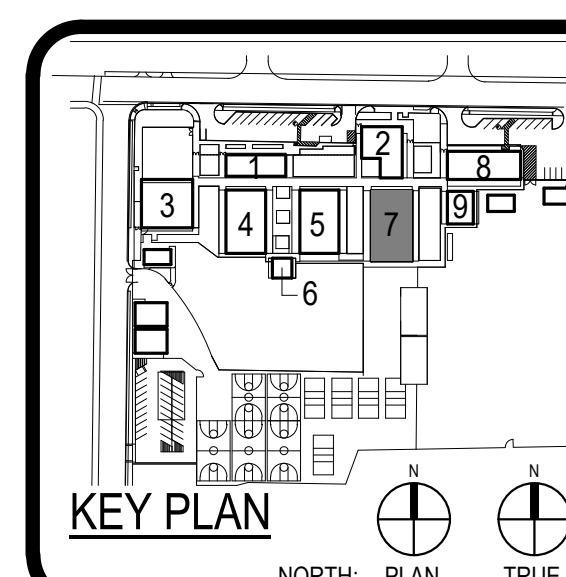
ARCHITECT PRK Architects, Inc.
8163 Rancho Cucamonga
Rancho Cucamonga
California 91730
P 909-987-0909

CONSULTANT LEAF ENGINEERS
8163 Rochester Avenue, Suite 100
Rancho Cucamonga, CA 91730
909-987-0909
leafengineers.com

WALNUT GROVE I.S. - SCIENCE LAB MOD.

PROJECT ADDRESS:
614 E Yuma Ave
West Covina, CA 91790

DSA BACKCHECK
DSA APPL. NO. 03-123048 DSA FILE NO. 19-110



Consultant
REGISTERED PROFESSIONAL ENGINEER
PAUL C. DELA TORRE
No. E 2255
Exp. 03-31-2025
STATE OF CALIFORNIA
ELECTRICAL

Architect

CLIENT
WEST COVINA USD
DATE 02/22/2023 PROJECT NUMBER 220117

No.	Description	Date

DSA BACKCHECK
FIRE ALARM PARTIAL
RISER DIAGRAM,
CALCULATIONS &
DETAILS

FA6.01