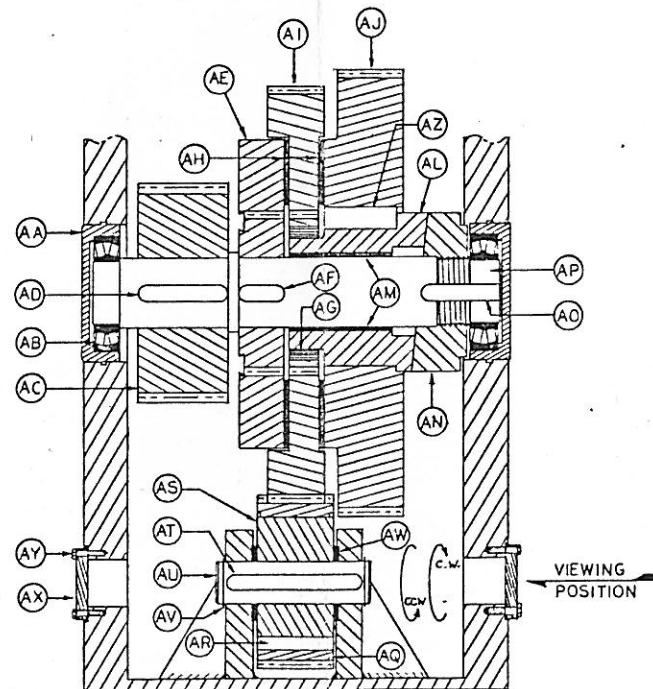
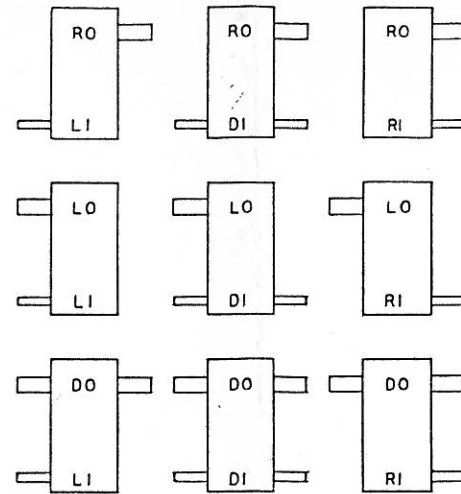


SHAFT COMBINATIONS



B-75-3H REDUCER

REDUCTION	MOTOR PINION (P)	MOTOR GEAR (G)	BRAKE PINION (P)	INTERMEDIATE GEAR (G)	DRUM PINION (P)	DRUM GEAR (G)
43	18	118	39	73	20	70
52.6	18	118	34	78	20	70
60	18	118	31	81	20	70
72	18	118	27	85	20	70
84	18	118	24	88	20	70
94	18	118	22	90	20	70
105.6	18	118	20	92	20	70
120	18	118	18	94	20	70

SHAFT COMBINATION	BACKSTOP RH CAM	ROTATION LH CAM
RI-RO	CW	CCW
RI-LO	CCW	CW
RI-DO	CW	CCW
LI-RO	CW	CCW
LI-LO	CCW	CW
LI-DO	CCW	CW
DI-RO	CW	CCW
DI-LO	CCW	CW
DI-DO	CCW	CW

ITEM	QTY	PART NO.	DESCRIPTION	DWG. NO.
A	1	4-390.4-1	DRUM GEAR	
B	1	4-390.2	GEAR CASE, BOTTOM HALF	
C	1	4-390.4-2	KEY FOR DRUM GEAR	
D	1	4-390.4-3	22226 CAPSULE	
E	1	CRW1-51248	OUTPUT SHAFT OIL SEAL	
F	1	4-390.4-4	OUTPUT SHAFT	
G	1	4-390.4-5	KEY FOR OUTPUT SHAFT	
H	1	22226-403	BEARING FOR OUTPUT SHAFT	
I	1	4-390.4-7	6226 CAPSULE	
J	1	6226	BEARING FOR OUTPUT SHAFT	
K	1	4-390.4-9	INTERMEDIATE GEAR	
L	1	4-390.4-10	KEY FOR INTERMEDIATE GEAR	
M	1	4-390.4-11	DRUM PINION AND SHAFT	
N	2	4-390.4-12	22219 CAPSULE	
O	2	22219-403	BEARING	
P	2	4-390.4-14	22211 CAPSULE	
Q	2	22211-403	BEARING	
R	2	CRW1-21164	INPUT SHAFT OIL SEAL	
S	1	4-390.4-16	INPUT PINION AND SHAFT	
T	1	4-390.4-17	KEY FOR INPUT SHAFT	
U	1	BAS000183	DONALDSON BREATHER	
V	1	LSP-151-6	OIL SIGHT GLUGE	
W	2	4-390.2	1" - 11 1/2 NPT PIPE PLUG	
X	2	4-390.2	1" - 11 1/2 NPT X 3" PIPE NIPPLE	
Y	1	4-390.2	1" - 11 1/2 NPT 90° ELBOW	
Z	12	4-390.2	3/4" - 10 UNC X 6 1/2" GR. 5 FERRY CAP BOLT & L.W.	
BA	4	4-390.2	1/2" - 13 UNC X 2" GR. 5 HEX BOLTS, L.W.	
AA	2	4-390.4-18	22215 CAPSULE	
AB	2	22215 - C403	BEARING	
AC	1	4-390.4-20	BRAKE PINION	
AD	1	4-390.4-21	KEY FOR BRAKE PINION	
AE	1	4-390.4-22	BRAKE BACKUP PLATE	
AF	1	4-390.4-23	KEY FOR BRAKE BACKUP PLATE	
AG	1	BC3844	BUSHING FOR BRAKE GEAR	
AH	2	4-390.4-24	BRAKE DISC	
AI	1	4-390.4-25	BRAKE GEAR	
AJ	1	4-390.4-26	MOTOR GEAR	
AL	1	4-390.4-28RA	CAM	
AM	1	BC2632	CAM BRONZE BUSHING	
AN	1	4-390.4-29RA	CAM NUT	
AO	2	4-390.4-30	KEY FOR CAM NUT	
AP	1	4-390.4-31	BRAKE PINION SHAFT	
AQ	1	4-390.4-32	BRAKE BACKSTOP GEAR	
AR	1	4-390.4-33	KEY FOR BACKSTOP GEAR	
AS	1	MG-600	MORSE BACKSTOP	
AT	1	4-390.4-34	KEY FOR BACKSTOP SHAFT	
AU	1	4-390.4-35	BACKSTOP SHAFT	
AV	2	5100-200	SWP RING	
AW	2	4-390.4-36	BACKSTOP SPACERS	
AX	2	4-390.4-37	BACKSTOP SHAFT COVER	
AY	8	1/4"-20X3/4"	COVER BOLTS & L.W. BACKSTOP	
AZ	1	4-390.4-38	KEY FOR MOTOR GEAR	

NOTE:

SPECIFY MODEL AND S.O.# WHEN ORDERING PARTS. USE ONLY 140 WT. STRAIGHT MINERAL OIL.

This drawing and its design and details is the property of Bowlin Engineering and shall not be copied in whole or part without written consent of Bowlin Engineering. All rights of design and invention are reserved.

TOLERANCES (UNLESS OTHERWISE SPECIFIED)	ITEM	REVISION RECORD	DATE	SIGNATURE
DECIMALS				
ANGULAR				
CONCENTRIC				
FINISH				
CHECKED BY				
DATE	12 NOV 84	S.O. NO.	4-390.3	

**BOWLIN Engineering Co.**  
SAGINAW, TEXAS 76179

TITLE: B-75-3H REDUCER PARTS & ASSEMBLY