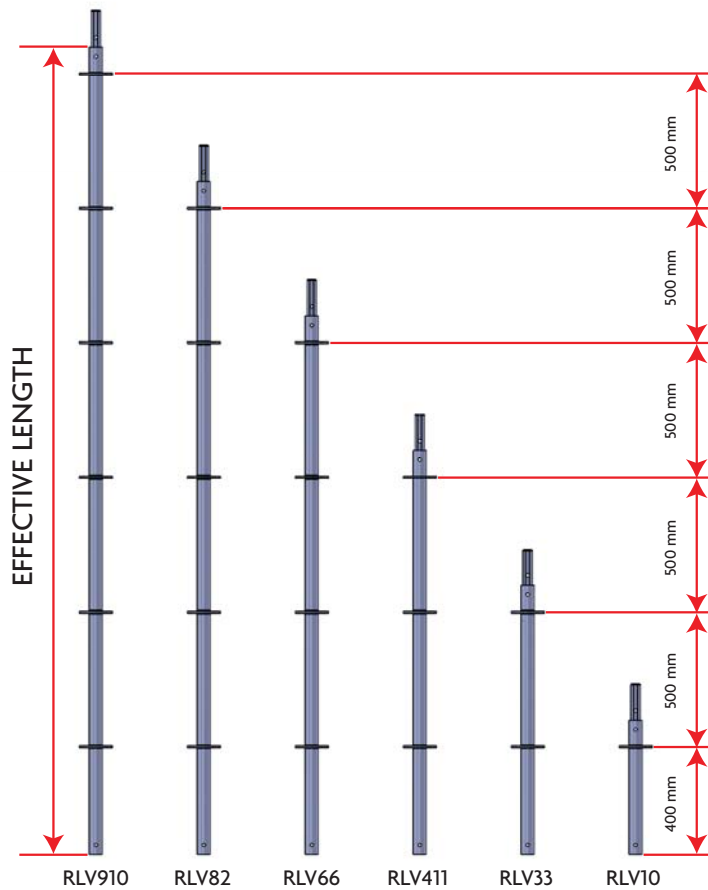


---

# RING LOCK SECTION

---

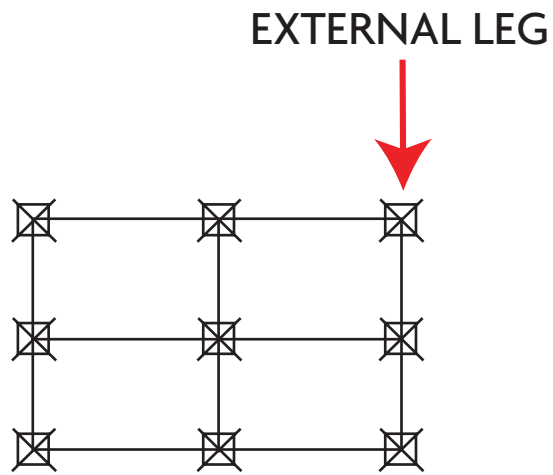
## VERTICALS



\*\* Maximum allowable compressive load is based on Bay Braces or Tube and Clamp diagonal braces connected at the same level as ledgers to standards. Bay Braces or Tube Clamp diagonal braces must be installed at the same vertical increments as ledgers.

Product Code	Description	Effective Length		Weight	
		Inches	Meters	Lb	Kg
RLV10	1 Ring Vertical W/Spigot	19.69	0.50	6.9	3.1
RLV33	2 Ring Vertical W/Spigot	39.37	1.00	12.1	5.5
RLV411	3 Ring Vertical W/Spigot	59.06	1.50	17.3	3.1
RLV66	4 Ring Vertical W/Spigot	78.74	2.00	6.9	7.8
RLV82	5 Ring Vertical W/Spigot	98.43	2.50	26.4	12.0
RLV910	6 Ring Vertical W/Spigot	118.11	3.00	32.9	15.0

**VERTICALS- EXTERNAL LEG LOADING CHART**

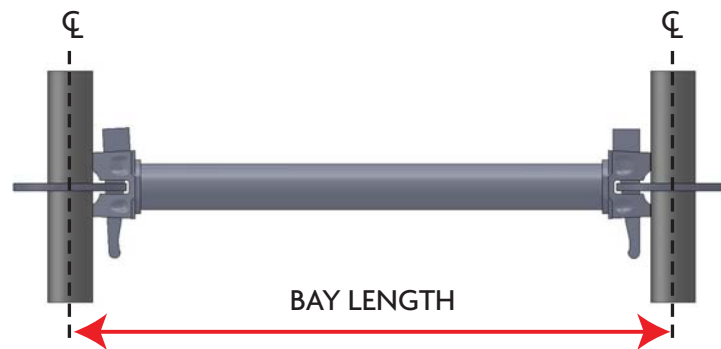


<b>Product Code</b>	<b>External Vertical</b>
	<b>7'-0" Horizontal</b>
<b>RLV</b>	<b>4700 Lbs.</b>

(Safe Working Loads are based on a 4:1 Safety Factor.)

1. Allowable load on each vertical depends on the distance between horizontals and the number of the horizontal members attached at each cup.
  2. Above safe working loads are based on 4:1 Safety Factor.
  3. Allowable safe working load on each Rosette is 3,300 pounds based on 4:1 Safety Factor.
  4. The allowable loads are only valid if each horizontal member is adequately braced to prevent horizontal movement.
- \* Chart is provided as reference only. Seek professional engineering guidance when designing scaffolds.

## HORIZONTALS

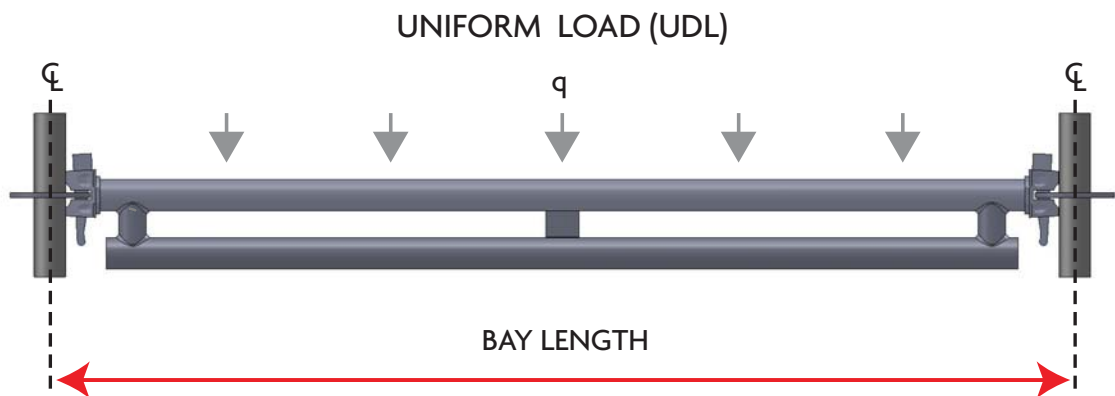
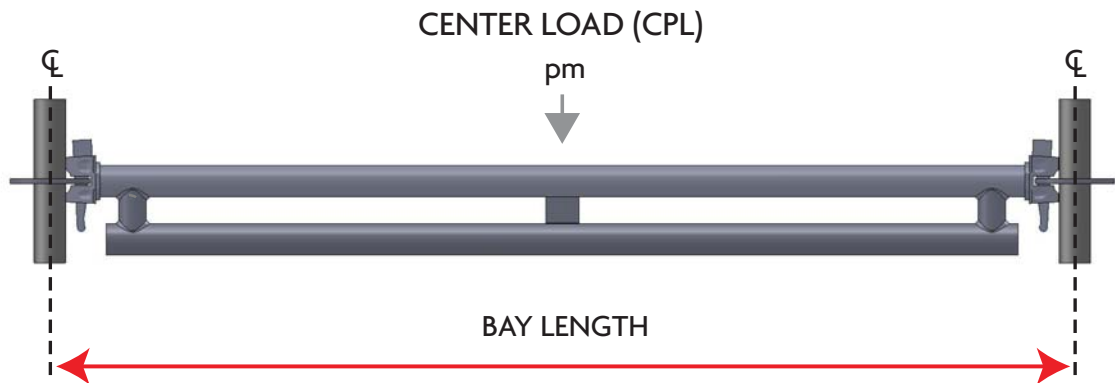


Product Code	Description	Bay Length		Weight		CPL (Lbs.)	UDL (Lbs./ft)
		Inches	Meters	Lb	Kg		
RLH20	2' Horizontal	24	0.061	7	3.2	1,400	1,500
RLH22	2'-2" Horizontal	26	0.66	7.1	3.2	1,380	1,480
RLH24	2'-4" Horizontal	28	0.71	7.5	3.4	1,320	1,477
RLH211	2'-11" Horizontal	35	0.89	7.7	3.5	850	1,250
RLH30	3' Horizontal	36	0.91	9.4	4.3	800	1,220
RLH33	3'-3" Horizontal	39	0.99	9.9	4.5	700	1,180
RLH36	3'-6" Horizontal	42	1.07	10.3	4.7	565	967
RLH39	3'-9" Horizontal	45	1.14	11.7	5.3	550	940
RLH40	4' Horizontal	48	1.22	11.9	5.4	480	900
RLH43	4'-3" Horizontal	51	1.23	12.1	5.5	425	840

## HORIZONTALS

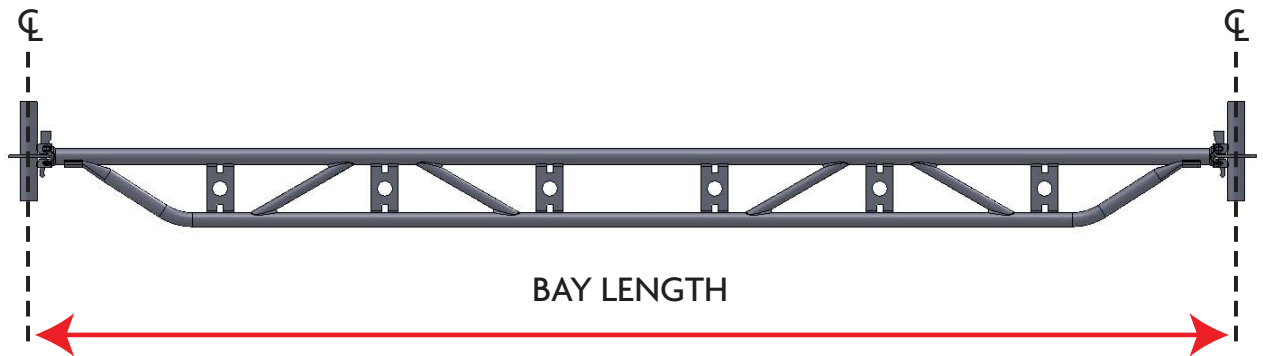
Product Code	Description	Bay Length		Weight		CPL (Lbs.)	UDL (Lbs./ft)
		Inches	Meters	Lb	Kg		
RLH410	4'-10" Horizontal	58	1.47	13.7	6.5	336	744
RLH50	5' Horizontal	60	1.52	14	6.3	320	700
RLH52	5'-2" Horizontal	62	1.57	14.7	6.7	265	660
RLH60	6' Horizontal	72	1.83	16.2	7.3	225	600
RLH69	6'-9" Horizontal	81	2.06	18.6	8.4	150	497
RLH70	7' Horizontal	84	2.13	18.7	8.5	130	475
RLH80	8' Horizontal	96	2.44	21.6	9.8	120	425
RLH86	8'-6" Horizontal	102	2.6	23.2	10.5	97	398
RLH100	10' Horizontal	120	3.05	26.7	12.1	67	333
RLH101	10'-1" Horizontal	121	3.07	28	12.7	50	250

## DOUBLE LEDGERS



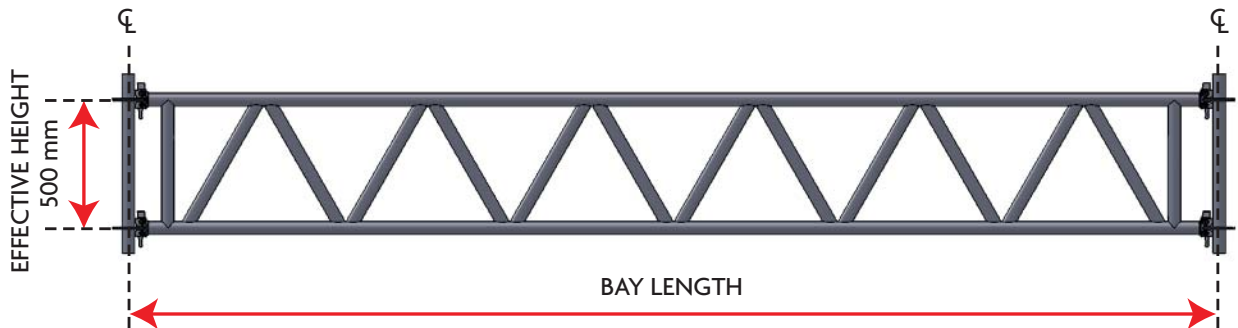
Product Code	Description	Bay Length		Weight		CPL (Lbs.)	UDL (Lbs./ft)
		Inches	Meters	Lb	Kg		
RLDL52	5'-2" Double Ledger	62	1.57	27.3	12.4	2,100	925
RLDL69	6'-9" Double Ledger	81	2.07	34.4	15.6	2,000	820
RLDL70	7' Double Ledger	84	2.13	34.4	15.6	2,000	715
RLDL80	8' Double Ledger	96	2.44	40.7	18.5	1,875	615
RLDL86	8'-6" Double Ledger	102	2.57	41.0	18.6	1,750	540
RLDL100	10' Double Ledger	120	3.05	51.7	23.5	1,455	365

## TRUSS LEDGER



Product Code	Description	Bay Length		Weight		CPL (Lbs.)	UDL (Lbs./ft)
		Inches	Meters	Lb	Kg		
RLT 52	5'-2" Truss Ledger	62	1.57	27.3	12.4	2,200	770
RLT 69	6'-9" Truss Ledger	81	2.07	37.9	17.2	1,740	540
RLT 70	7' Truss Ledger	84	2.13	35.5	16.1	1,690	530
RLT 80	8' Truss Ledger	96	2.44	38.1	17.3	1,505	355
RLT 86	8'-6" Truss Ledger	102	2.57	42.1	19.1	1,430	380
RLT100	10' Truss Ledger	120	3.05	46.7	21.2	1,135	245
RLT101	10'-1" Truss Ledger	121	3.07	55.1	25.0	1,130	225
RLT 120	12' Truss Ledger	144	3.66	56.8	25.8	950	200

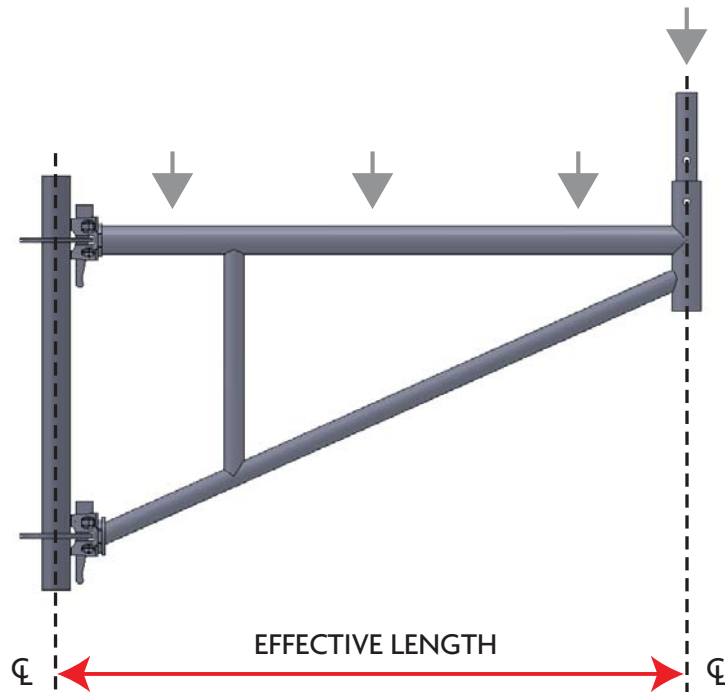
## LATTICE GIRDER



Product Code	Description	Bay Length		Weight		CPL (Lbs.)	UDL (Lbs./ft)
		Inches	Meters	Lb	Kg		
RLLG07	7' Lattice Girder	84	2.13	50	22.7	2000	425
RLLG086	8'-6" Lattice Girder	102	2.57	63	28.4	2000	420
RLLG10	10' Lattice Girder	120	3.05	75	34.0	2,000	400
RLLG14	14' Lattice Girder	168	4.27	98	44.5	2,000	360
RLLG16	16' Lattice Girder	192	4.88	109	49.4	2,000	330
RLLG18	18' Lattice Girder	216	5.49	123	55.8	2,000	280
RLLG20	20' Lattice Girder	240	6.10	143	64.9	2,000	250
RLLG21	21' Lattice Girder	252	6.40	147	66.7	1,500	240
RLLG253	25'-3" Lattice Girder	303	7.70	180	81.6	1,250	220
RLLG28	28' Lattice Girder	336	8.53	200	90.7	1,000	180

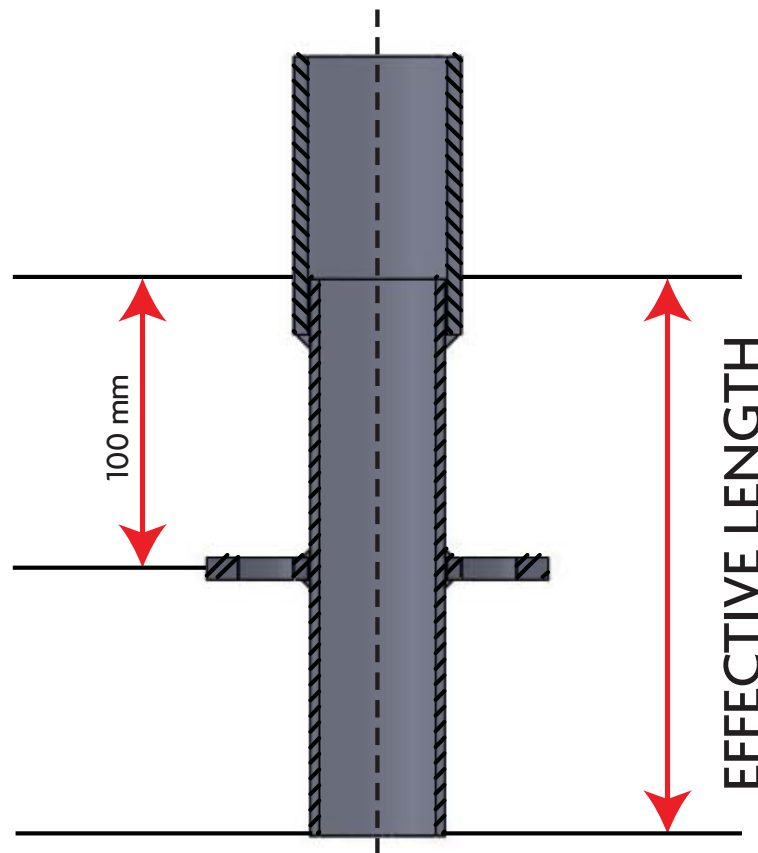


## BOARD BRACKET



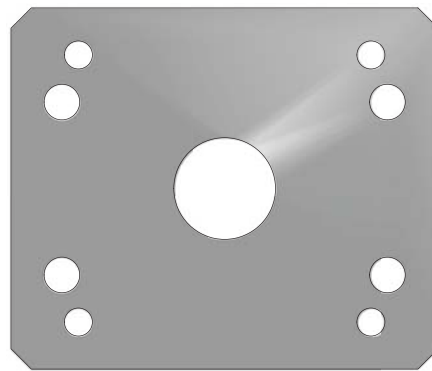
Product Code	Description	Effective Length		Weight	UDL (Lbs./ft)
		Inches	Meters	Lb	
RLBB20	24" Board Bracket	24.02	0.61	12.9	1,100
RLBB25	29" Board Bracket	29.02	0.74	14.7	1,100
RLBB211	34" Board Bracket	34.64	0.88	16.6	1,100
RLBB30	36" Board Bracket	36.18	0.92	19.7	1,100
RLBB33	39" Board Bracket	39.17	1.00	21.5	1,100
RLBB36S	42" Board Bracket	41.93	1.07	20.8	1,100

## STARTER COLLAR



Product Code	Description	Effective Length		Weight		Load Rating (Lb·f)
		Inches	Meters	Lb	Kg	
RLBC-L	Starter Collar Long	7.87	0.20	4.5	2.1	13,680

## RING LOCK ADJUSTABLE CASTER ADAPTER



RLCAJ

Product Code	Description	Max Adj. Range	Min. Adj. Range	Weight (Lbs)	Load Rating (Lb·f)
RLCA	Ring Lock Adjustable Caster Adapter	24.37	12.13	15.3	11,450