

**LED
FUNCTIONAL
FIXTURES**





NUVO's Functional line of luminaries offers the latest technologies and manufacturing design in LED lighting for the commercial, industrial and residential market.

We bring quality, value and design to every product we create. With each progressive generation our technology and engineering advance, improving product performance, versatility of application, ease of installation, safety, maintenance and overall satisfaction.

NUVO provides lighting solutions you can count on, and products you can rely on.

We do the LIGHT thing.
We do the RIGHT thing.™

SATCO® is a single source solution for all of your lighting needs, from emerging LED technologies to decorative fixtures and lighting components, we carry products for nearly every industry and application.

As a turnkey lighting operation, SATCO brings efficiency, value and an ease of doing business to our customers.



50+ YEARS IN
BUSINESS

100% INDEPENDENT
PRIVATELY OWNED

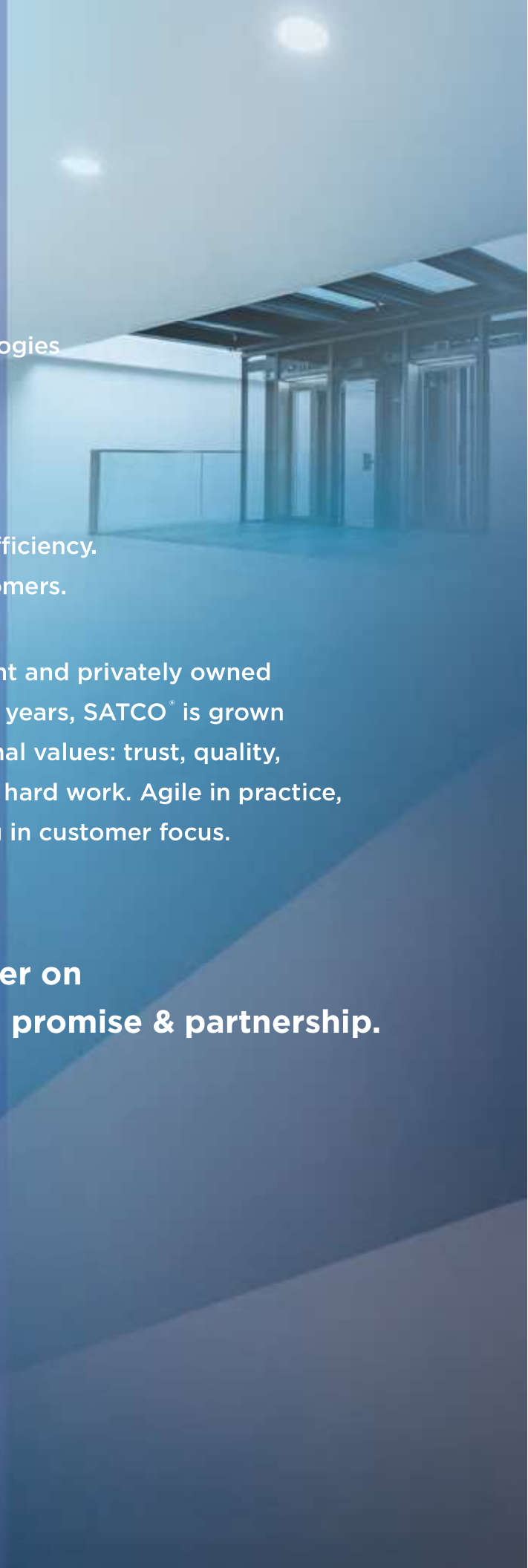
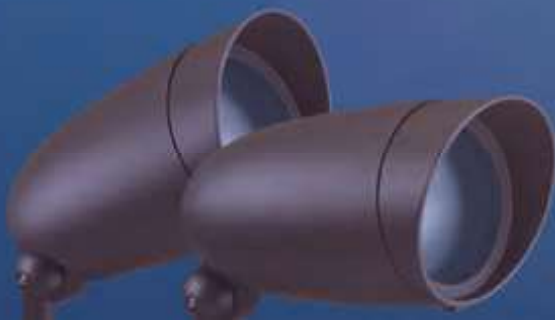
15,000 +
PRODUCTS

2 MILLION SQ. FT
OF INVENTORY

6 WAREHOUSE
LOCATIONS

Independent and privately owned for over 50 years, SATCO® is grown on traditional values: trust, quality, loyalty and hard work. Agile in practice, unwavering in customer focus.

**we deliver on
product, promise & partnership.**





LAY IN/HIGH BAY

Advancements in the manufacturing design of SATCO's lay in and high bay fixtures expand their opportunity in the market. Among our new introductions: Adjustable Panel Linear High Bay and our Emergency Battery Back Up Troffers, UFO High Bay and our CCT selectable back lit panels.

Features like flicker-free technology and a bevy of accessories extend product versatility through installation, light diffusion, beam angle adjustment and more.



SURFACE MOUNT

While Satco boasts many surface mount fixtures, Blink® is by far our stand out. Sleek and minimalistic, this dexterous fixture plays well in any environment.

Damp or wet location certified, available in numerous shapes and size combinations in "new classic" finishes like gunmetal, polished nickel, white and matte black, BLINK® goes just about anywhere. In 2020 NUVO introduced Blink Luxe to the family, our most decorative introduction yet.

Most Blink fixtures meet T24 requirements, Many are ENERGY STAR® certified.



UTILITY

NUVO's LED "utility" fixtures are designed to light spaces effectively, efficiently and conveniently with clean lines and unobtrusive styling. From laundry rooms, garages, stairwell and closets in the home and commercial applications including retail, office buildings, workshops and more.

Satco's 2020 utility offering includes connectible lighting, photo sensors, motion sensor, dimmable, color selectable, and emergency ready options.



With every new introduction and every generation, new technologies advance LED lighting.



MULTI PURPOSE

Simple, cost-effective, decorative fixtures that are low maintenance, energy efficient and aesthetically neutral answer the needs of a variety of spaces, making them popular lighting products.

These fixtures move from residential to commercial, bedroom to basement, closet to kitchen. NUVO's offering include damp locations, sensor options, all at a premium value.



FLOOD LIGHTS AND WALL

Architectural lighting enhances the exterior of any building and landscaping. NUVO 2020 includes an expansion of flood lights and outdoor wall mounted fixtures.

From durable, quality flood lights in multiple sizes and mounting options to commercial wall fixtures that bring sophistication to any facade,

NUVO's proven designs and products have continued to win on value, quality and design.



LANDSCAPE FLOODS

Landscape flood lights that are high powered, easy to install, easy to adjust and easy to maintain – the outdoor flood light features your customers are looking for!

No transformer is required with these energy savers available in 6W, 9W and 12W versions. Low to no maintenance, and long LED life.





CANOPY/AREA/ WALL

Exterior lighting for security, safety and illumination; rugged enough to withstand the elements and available at a motivating, energy-saving value.

NUVO's DLC® and DLC® Premium commercial outdoor fixtures are packed with premium features, many with built-in microwave sensors or sensor add-ons. With DLC® premium rebates and LED energy savings, the ROI is built right in.



STEP LIGHTS

NUVO's LED step lights are offered in horizontal and vertical configurations.

No transformer is required. Both models are available in gray, white and bronze, 3000K and are dimmable

Step lights are one of NUVO's newer additions to our expanding outdoor design category.



RECESSED

NUVO's unrivaled offering of recessed downlighting is both vast and diverse. We continue to offer new retrofit options to help bridge technology and we include new features like selectable CCT and remote drivers. Architectural options such as our new linear recessed and NUVO's popular FREEDOM® line of architectural downlights offer high end options at a great value; and commercial color selectable downlights with both lumen and CCT selection offer the ability to replace as many as 120 skus with 8, an unbelievable value.



We do the LIGHT thing.
We do the RIGHT thing.™



TRACK

Track lighting, track heads and now mono points continue to prove one of the most versatile fixtures in lighting. From retail to residential, track continues to maintain its place in modern mainstream design while also providing useful, adaptable accent lighting.

New double track heads, mono points and shape variations provide subtle modern twists; and, of course, generation after generation, light efficacies continue to advance.



CounterQuick™

No matter how you hang it, install it, connect it, link it, wire it, or light it – CounterQUICK™ is designed to help get the job done; with installation solutions that save on labor, quality, and durability that make for a long maintenance free life.

With an advanced CCT selection and high/low switch, CounterQUICK™ is a stocking and installation advantage as well as an added value to property owners. Adjust the light output and select a desired color temperature right at the fixture.

Optional extension cables link fixtures across large areas – around corners and cabinets – eliminating the need for additional wiring to the power source.


COUNTERQUICK™
LED Linkable Under Cabinet Fixture



We do the LIGHT thing. We do the RIGHT thing.™

TABLE OF CONTENTS

Architectural Outdoor Wall	144-147
BLINK	194-207
BLINK Emergency	208-209
BLINK Luxe	186-187
BLINK Plus	188-193
Bulkhead Fixtures	148-149
Canopy Lights	34-37
Carport / Area Light	26-29
Cloud Fixtures	154-165
Commercial Downlights	112-115
Direct Wire Recessed	86-105
Disk Lights	150-153
Downlight Retrofits	78-83
Dual Head Security	136-139
Flat Panels	70-71
Flood Lights	38-41
High Bay	42-51
Landscape Floods	140-141
Linear Strip	52-59
Linear Tri-Proof	62-63
Linear Vapor Tight	60-61
Recessed Can Assemblies	84-85
Remote Driver Downlights	106-111
Shop Lights	68-69
Step Lights	142-143
Strips	66-67
Track Lighting	116-129
Troffers	72-77
Under Cabinet / Cove	130-135
Utility / Multi Purpose	164-181
Utility Indoor / Outdoor	182-185
Vapor Tight	30-33
Wall Packs	10-25
Wraps	64-65



ENERGY SAVINGS, COMPLIANCE AND CODE

Energy savings through lighting conversion is one smart way to drastically lower utility costs and meet the new and increasing compliance code demands.



DLC® AND DLC® PREMIUM

SATCO|NUVO's commercial LED fixtures are created to replace traditional technologies with ease, providing low wattage alternatives that save money, maintenance and provide lasting solutions.



ADVANCED TECHNOLOGIES

From Microwave and PIR Sensors, CCT and Wattage Selectable switches and add on emergency backup sensors, SATCO® creates fixtures that offer enhancements that preform additional duties for enhanced efficiencies and overall savings.



INNOVATIVE DESIGN

Adjustable arms, remote drivers, rugged all-in-one fixtures, space adjusting clips, angle adjusting joints, air tight design, adjustable mounting our lighting products are designed for versatility.



RETROFIT SOLUTIONS

SATCO® offers a wide variety of cost savings retrofit products for applications that require maintaining the existing luminaries to be brought up to required efficiencies standards.

WALL PACKS WATTAGE & CCT SELECTABLE



Features:

- CCT Selectable - 3000K/4000K/5000K
- Wattage selectable switch - 3 selections
- Traditional or Semi-cutoff footprints
- Bronze finish
- Built-in by-passable photocell
- 110° Beam angle
- Operating temperature:
-40° C to 50° C (-40° F to 122° F)
- 5 Year Warranty



Semi-Cutoff
Full Footprint



ColorQuick™

Selectable Color Technology

Switch to/from the following CCT



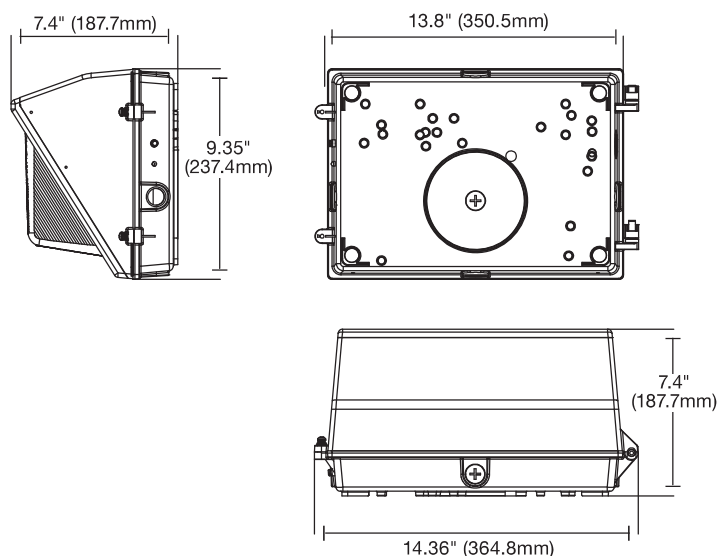
PowerQuick™

WALL PACKS WATTAGE & CCT SELECTABLE

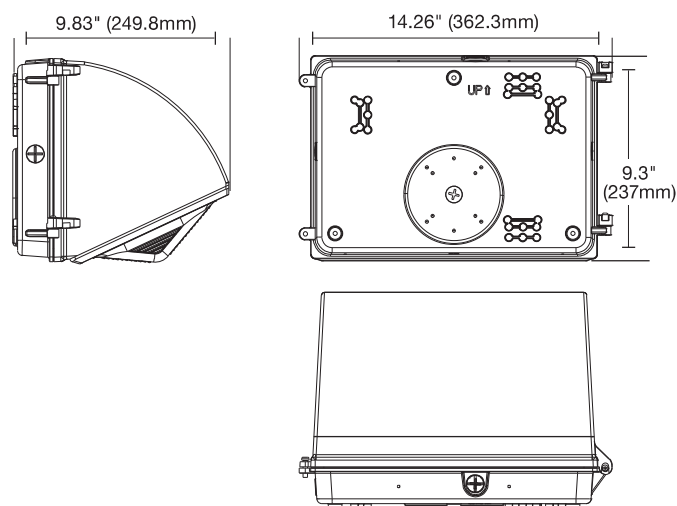


Traditional Full Footprint

65-755, 65-756, 65-757, 65-758



65-760, 65-761

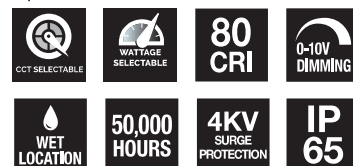


Item	Description	Wattage Selectable	CCT Selectable	V	Lm	Pack
Traditional Full Footprint						
65-755	Wall Pack - Bronze	29W/40W/60W	3000K/4000K/5000K	120-277	4060-8640	1
65-756	Wall Pack - Bronze	80W/100W/120W	3000K/4000K/5000K	120-277	11200-17280	1
65-757	Wall Pack - Bronze	29W/40W/60W	3000K/4000K/5000K	120-347	4118-8700	1
65-758	Wall Pack - Bronze	80W/100W/120W	3000K/4000K/5000K	120-347	11360-17400	1
Semi-Cutoff Full Footprint						
65-760	Wall Pack - Bronze	29W/40W/60W	3000K/4000K/5000K	120-277	3915-8400	1
65-761	Wall Pack - Bronze	80W/100W/120W	3000K/4000K/5000K	120-277	10800-15600	1

*Consult Satco or visit www.satco.com for an up to date dimmer compatibility list. See warranty for details.

Product sheet NU1570

Specifications



Certifications



ADJUSTABLE WALLPACK CCT SELECTABLE



Features:

- 28W, 40W, 60W and 80W Options
- CCT Selectable - 3000K/4000K/5000K
- Adjusts from 0° to 90°
- Die-cast aluminum body
- UV stabilized powder coated
- Bronze finish
- Impact resistant polycarbonate lens
- 65° x 95° Beam angle
- Operating temperature:
-40°C to 40°C (-40°F to 104°F)
- IP65
- 5 Year warranty



Wall Pack
(shown at 45°)



ColorQuick™

Selectable Color Technology

Switch to/from the following CCT



ADJUSTABLE WALLPACK CCT SELECTABLE

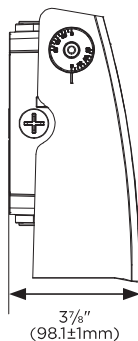
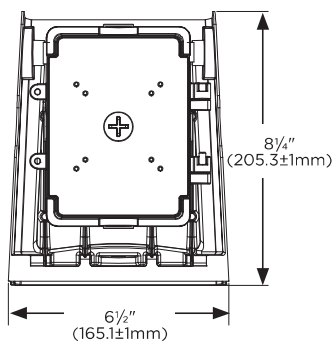
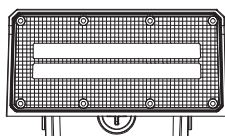


Wall Pack
(shown at 90°)

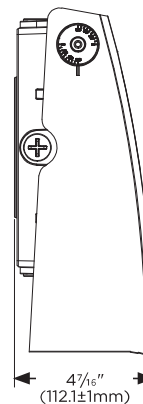
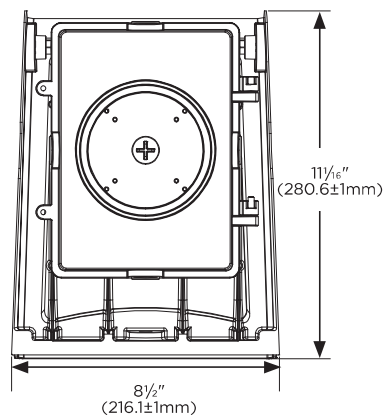
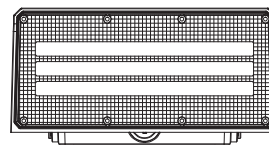


Adjusts from 0° to 90°

28W & 40W
Wall Pack



60W & 80W
Wall Pack

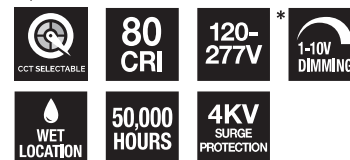


Item	Description	W	Lm	CCT Selectable	MH Equiv.	Pack
65-677	28W Wall Pack - Bronze	28	3360-3500	3000K/4000K/5000K	150-200W	4
65-678	40W Wall Pack - Bronze	40	4800-5000	3000K/4000K/5000K	100-150W	4
65-679**	60W Wall Pack - Bronze	60	7200-7500	3000K/4000K/5000K	150-200W	4
65-680**	80W Wall Pack - Bronze	80	9600-10000	3000K/4000K/5000K	250W	4
Accessories						
86-205	**Add-on Photocell for LED Wall Pack Fixture (for 65-679 and 65-680 only)					1

*Consult Satco or visit www.satco.com for an up to date dimmer compatibility list. See warranty for details.

Product sheet NU1625

Specifications



Certifications



SEMI CUTOFF WALL PACK CCT SELECTABLE



Features:

- 40W, 60W and 80W Options
- CCT Selectable - 3000K/4000K/5000K
- Semi cutoff design
- Die-cast aluminum body
- UV stabilized powder coated
- Bronze finish
- 55° x 105° Beam angle
- Operating temperature:
-40°C to 40°C (-40°F to 104°F)
- Impact resistant polycarbonate lens
- IP65
- 5 Year warranty



Semi Cutoff Wall Pack



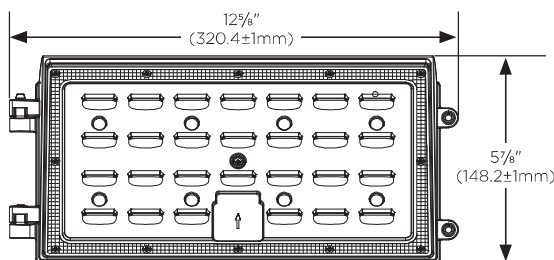
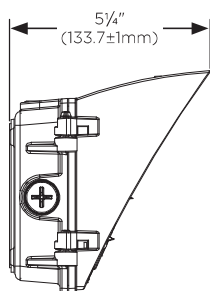
ColorQuick™

Selectable Color Technology

Switch to/from the following CCT



SEMI CUTOFF WALL PACK CCT SELECTABLE

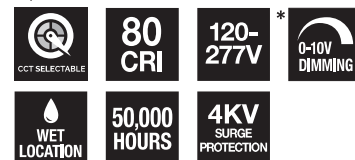


Item	Description	W	Lm	CCT Selectable	MH Equiv.	Pack
65-674	40W Semi Cutoff Wall Pack - Bronze	40	4800-5000	3000K/4000K/5000K	100-150W	1
65-675	60W Semi Cutoff Wall Pack - Bronze	60	7200-7500	3000K/4000K/5000K	150-200W	1
65-676	80W Semi Cutoff Wall Pack - Bronze	80	9600-10000	3000K/4000K/5000K	250W	1
Accessories						
86-205	Add-on Photocell for LED Wall Pack Fixture					1

*Consult Satco or visit www.satco.com for an up to date dimmer compatibility list. See warranty for details.

Product sheet NU1625

Specifications



Certifications



FULL CUTOFF WALL PACK CCT SELECTABLE



Features:

- 28W, 40W, 60W and 80W Options
- CCT Selectable - 3000K/4000K/5000K
- Full cutoff design
- Die-cast aluminum body
- UV stabilized powder coated
- Bronze finish
- 90° x 100° Beam angle
- Operating temperature:
-40°C to 40°C (-40°F to 104°F)
- Impact resistant polycarbonate lens
- IP65
- 5 Year warranty



Full Cutoff Wall Pack



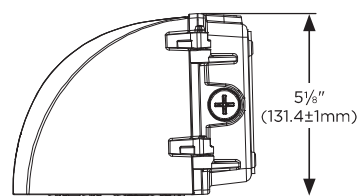
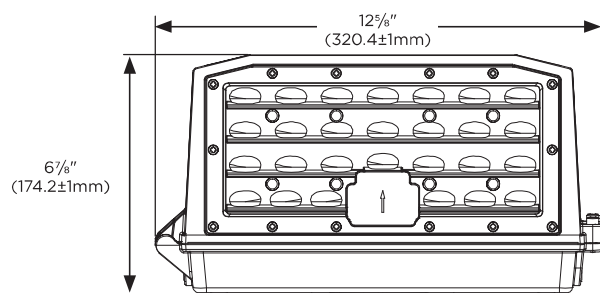
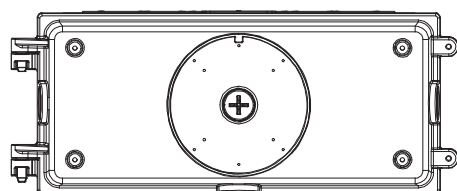
ColorQuick™

Selectable Color Technology

Switch to/from the following CCT



FULL CUTOFF WALL PACK CCT SELECTABLE



Item	Description	W	Lm	CCT Selectable	MH Equiv.	Pack
65-671	40W Full Cutoff Wall Pack - Bronze	40	4800-5000	3000K/4000K/5000K	100-150W	1
65-672	60W Full Cutoff Wall Pack - Bronze	60	7200-7500	3000K/4000K/5000K	150-200W	1
65-673	80W Full Cutoff Wall Pack - Bronze	80	9600-10000	3000K/4000K/5000K	250W	1
Accessories						
86-205	Add-on Photocell for LED Wall Pack Fixture					1

*Consult Satco or visit www.satco.com for an up to date dimmer compatibility list. See warranty for details.

Product sheet NU1625

Specifications

CCT SELECTABLE	80 CRI	120-277V	1-10V DIMMING
WET LOCATION	50,000 HOURS	4KV SURGE PROTECTION	

Certifications

UL LISTED	DLC QUALIFIED	FC	RoHS COMPLIANT
-----------	---------------	----	----------------

SMALL WALL PACK CCT SELECTABLE



Features:

- 29 and 40W Options
- CCT Selectable - 3000K/4000K/5000K
- Die-cast aluminum body
- UV stabilized powder coated
- Bronze finish
- Integrated, by-passable photocell
- 80° Beam angle
- Operating temperature: -40°C to 40°C (-40°F to 104°F)
- Impact resistant IK10 lens
- IP65
- 5 Year warranty



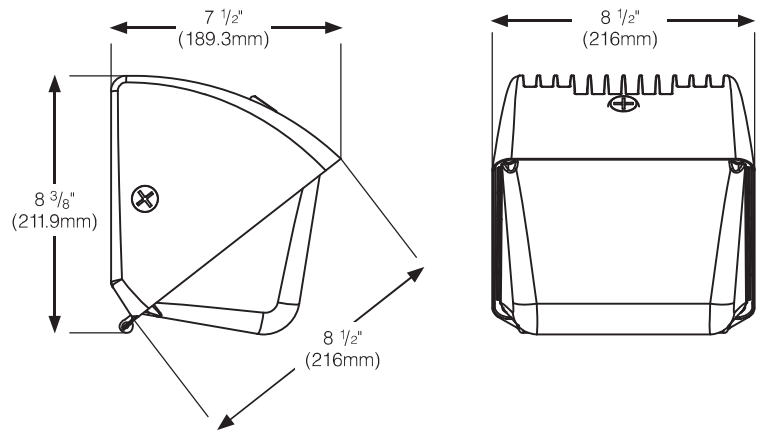
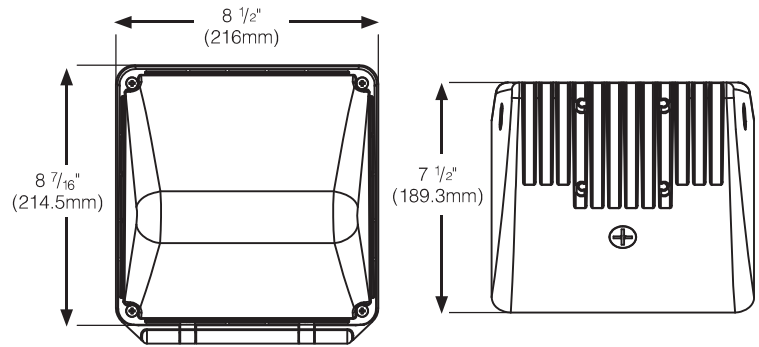
ColorQuick™

Selectable Color Technology

Switch to/from the following CCT



SMALL WALL PACK CCT SELECTABLE

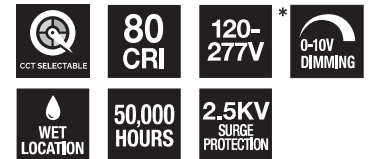


Item	Description	W	Lm	CCT Selectable	Pack
65-655*	Small Wall Pack - Bronze	29	3650-3770	3000K/4000K/5000K	4
65-656	Small Wall Pack - Bronze	40	4200-5000	3000K/4000K/5000K	4

*Consult Satco or visit www.satco.com for an up to date dimmer compatibility list. See warranty for details.

Product sheet NU1628

Specifications



Certifications



SMALL ROUND WALL PACK CCT SELECTABLE WITH PHOTOCELL



Features:

- CCT Selectable - 3000K/4000K/5000K
- Black, Bronze or White finish
- Die cast aluminum body
- Rugged, impact-resistant polycarbonate frosted lens
- Built-in by-passable photocell
- 100°Beam angle
- Operating temperature -30°C to 45°C (-22°F to 113°F)
- IP65
- 5 Year warranty



Black



ColorQuick™

Selectable Color Technology

Switch to/from the following CCT



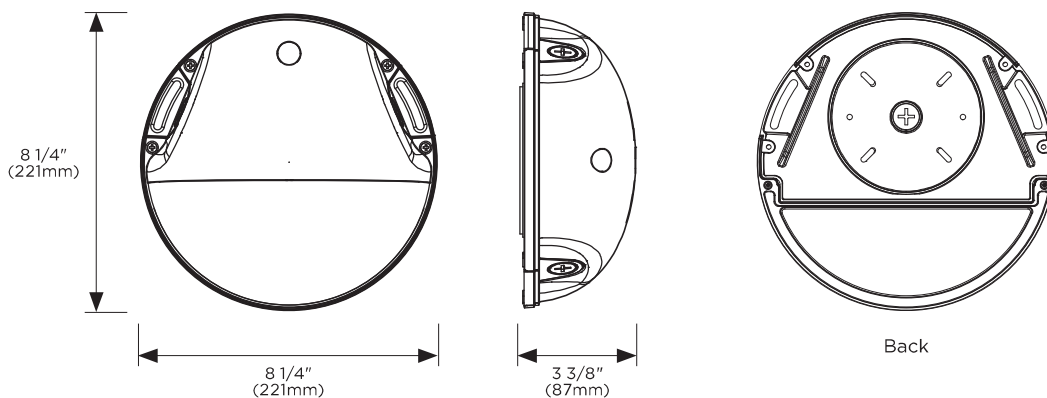
SMALL ROUND WALL PACK CCT SELECTABLE WITH PHOTOCELL



White



Bronze



Item	Description	CCT	Lm	Pack
65-750	Small Round Wall pack with photocell - Black	3000K/4000K/5000K	2600-2800	10
65-751	Small Round Wall pack with photocell - Bronze	3000K/4000K/5000K	2600-2800	10
65-752	Small Round Wall pack with photocell - White	3000K/4000K/5000K	2600-2800	10

*Consult Satco or visit www.satco.com for an up to date dimmer compatibility list. See warranty for details.

Product sheet NU1652

Specifications

-
-
-
-
-
-
-
-

Certifications

-
-
-
-

SMALL WALL PACK WITH PHOTOCELL



Features:

- Black, Bronze or White finish
- Die cast aluminum body
- Rugged, impact-resistant polycarbonate frosted lens
- Built-in by-passable photocell
- 4000K and 5000K options
- 100°Beam angle
- Operating temperature -20°C to 45°C (-4°F to 113°F)
- IP65
- 5 Year warranty



Black

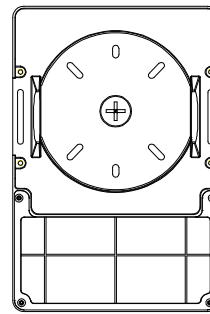
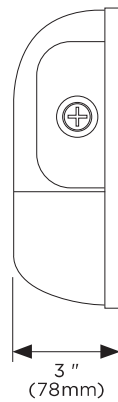
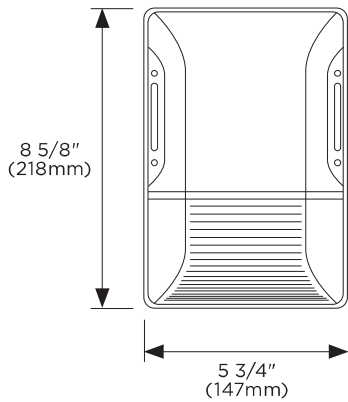
SMALL WALL PACK WITH PHOTOCELL



White



Bronze



Back

Item	Description	CCT	Lm	Pack
65-265	Small Wall pack with photocell - Black	4000K	2669	10
65-266	Small Wall pack with photocell - Black	5000K	2761	10
65-267	Small Wall pack with photocell - Bronze	4000K	2669	10
65-268	Small Wall pack with photocell - Bronze	5000K	2761	10
65-269	Small Wall pack with photocell - White	4000K	2669	10
65-270	Small Wall pack with photocell - White	5000K	2761	10

See warranty for details.

Product sheet NU1547

Specifications

20 WATTS	80 CRI	100-277V	2KV SURGE PROTECTION
WET LOCATION	50,000 HOURS		

Certifications

ETL	DLG	FC	RoHS COMPLIANT
------------	------------	-----------	-----------------------

WALL PACK



Features:

- 13W Features Photo control - On at dusk / Off at dawn
- Die-cast aluminum body
- UV stabilized powder coated
- Bronze finish
- Operating temperature:
-40°C to 40°C (-40°F to 104°F)
- Prismatic lens for uniform light distribution
- 5 Year warranty

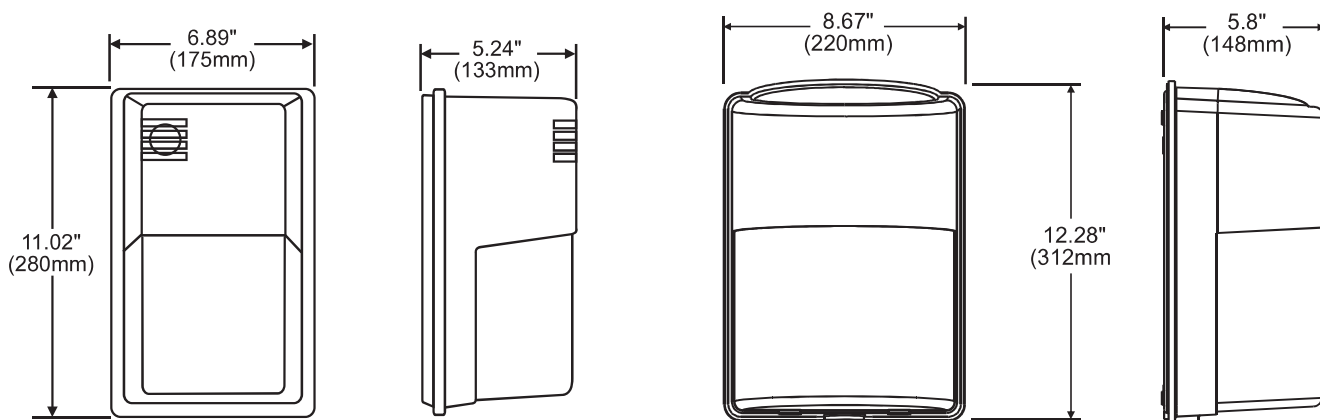


13W Wall Pack w/Photocell

WALL PACK



26W Wall Pack



Item	Description	W	Lm	V	Life/Hrs.	Pack
65-062	13W w/Photocell - Bronze	13	908	120	42000	6
65-063	26W - Bronze	26	1691	120-277	35,000	6

See warranty for details.

Product sheet NU1583, NU1584

Specifications



Certifications



WALL MOUNT CARPORT/ PARKING AREA LIGHT



Features:

- CCT Selectable - 3000K/4000K/5000K
- 29, 40W and 60W Options
- NEMA Type 5 lens distribution
- Photo control - On at dusk / Off at dawn
- Die-cast aluminum body
- UV stabilized powder coated finish
- Gray or Bronze finish
- Operating temperature:
-40°C to 50°C (-40°F to 122°F)
- 5 Year warranty



Area Light



Switch to/from the following CCT

3000K 4000K 5000K

WALL MOUNT CARPORT/ PARKING AREA LIGHT



Type 5 light distribution



Access the CCT selection switch by removing the knockout cap

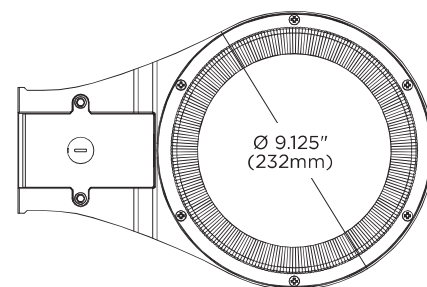
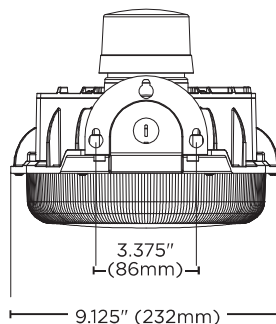
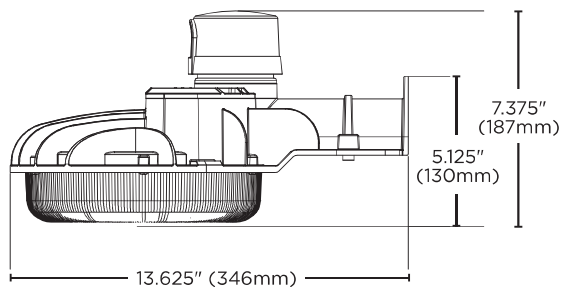
Accessories



65-687
Mounting Arm



65-688
Photocell
Shorting Cap



Item	Description	W	CCT Selectable	Lm	Pack
65-681	29W Area Light W/Photocell - Gray	29	3000K/4000K/5000K	4060-4640	2
65-682	40W Area Light W/Photocell - Gray	40	3000K/4000K/5000K	5600-6400	2
65-683**	60W Area Light W/Photocell - Gray	60	3000K/4000K/5000K	8400-9600	2
65-684	29W Area Light W/Photocell - Bronze	29	3000K/4000K/5000K	4060-4640	2
65-685	40W Area Light W/Photocell - Bronze	40	3000K/4000K/5000K	5600-6400	2
65-686**	60W Area Light W/Photocell - Bronze	60	3000K/4000K/5000K	8400-9600	2
Accessories					
65-687	21" Aluminum Anodized Arm				8
65-688	Photocell Shorting Cap				100

*Consult Satco or visit www.satco.com for an up to date dimmer compatibility list. See warranty for details.

Product sheet NU1645

Specifications



Certifications



AREA LIGHT WITH BUILT-IN PHOTOCELL



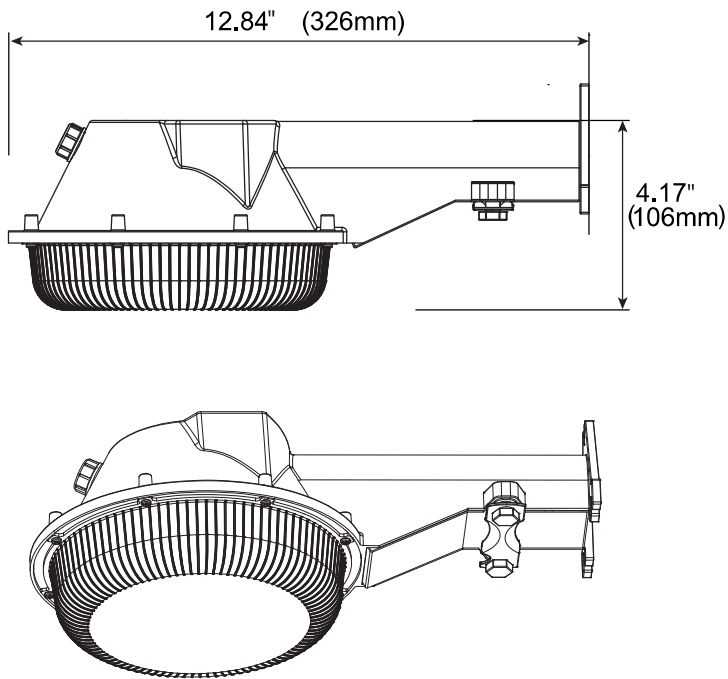
Features:

- Built-in photocell with cover
- 4000K and 5000K Options
- Rugged polycarbonate construction
- Impact-resistant lens
- Black finish
- 90° Beam angle
- Operating temperature:
-30°C to 50°C (-22°F to 122°F)
- IP65
- 5 Year warranty



Area Light

AREA LIGHT WITH BUILT-IN PHOTOCELL



Accessories



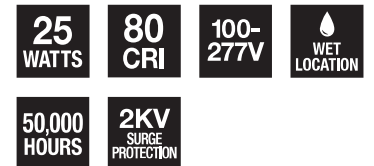
65-687
Mounting Arm

Item	Description	CCT	Lm	Pack
65-244	Area Light w/Photocell - Black	4000K	2250	2
65-245	Area Light w/Photocell - Black	5000K	2250	2
Accessories				
65-687	21" Aluminum Anodized Arm			8

See warranty for details.

Product sheet NU1534

Specifications



Certifications



DIE-CAST VAPOR TIGHT



Features:

- Wall or ceiling mount versions
- Die-cast aluminum body
- UV stabilized powder coated finish
- Silver finish
- Operating temp: -30°C to 50°C (-22°F to 122°F)
- ½" Conduit openings on all 4 sides & 1 in back
- IP65
- 5 Year warranty



Wall Mount Vapor Tight

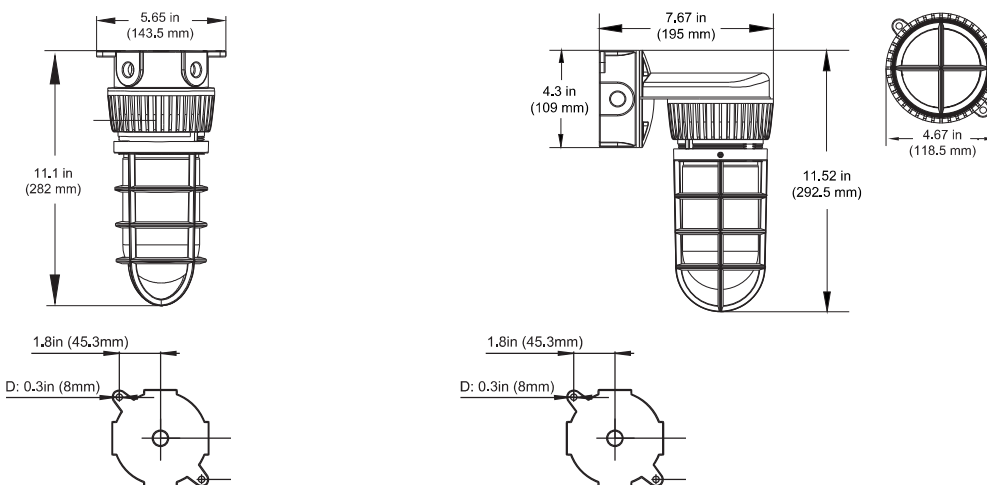
DIE-CAST VAPOR TIGHT



Ceiling Mount Vapor Tight



Wall Mount Vapor Tight



Item	Description	CCT	Lm	Pack
65-223	Wall Mount Vapor Tight - Silver	4000K	1800	2
65-224	Wall Mount Vapor Tight - Silver	5000K	1800	2
65-225	Ceiling Mount Vapor Tight - Silver	4000K	1800	2
65-226	Ceiling Mount Vapor Tight - Silver	5000K	1800	2

Specifications

20 WATTS	80 CRI	100-277V	WET LOCATION
50,000 HOURS	2KV SURGE PROTECTION		

Certifications

ETL	ENERGY STAR	FC	RoHS COMPLIANT
------------	--------------------	-----------	-----------------------

See warranty for details.

Product sheet NU1488

POLYCARBONATE ADJUSTABLE VAPOR TIGHT



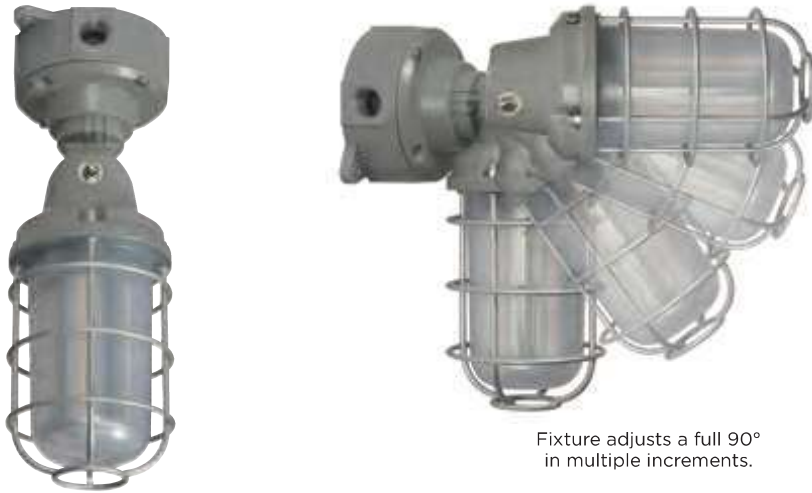
Features:

- 90° Adjustable arm
- Wall or ceiling mount
- Protective stainless steel cage & hardware
- Gray finish
- Operating temp: -40°C to 45°C (-40°F to 113°F)
- ½" Conduit openings on all 4 sides & 1 in back
- IP65
- 5 Year warranty

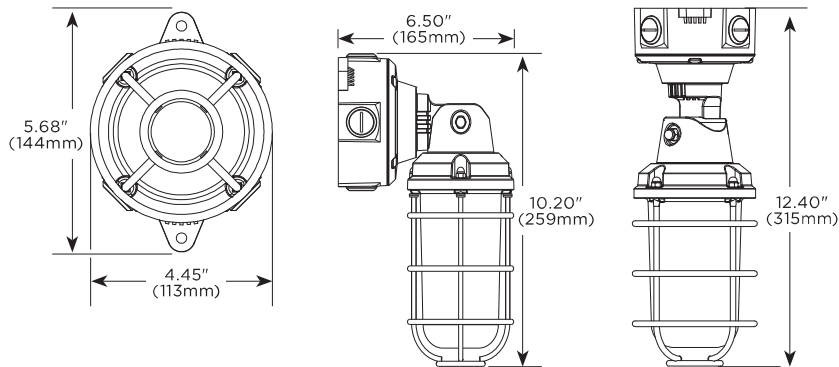


Adjustable Vapor Tight

POLYCARBONATE ADJUSTABLE VAPOR TIGHT



Fixture adjusts a full 90° in multiple increments.



Item	Description	CCT	Lm	Pack
65-171	Adjustable Vapor Tight - Gray	3000K	2050	6
65-172	Adjustable Vapor Tight - Gray	4000K	2150	6
65-173	Adjustable Vapor Tight - Gray	5000K	2200	6

See warranty for details.

Product sheet NU1488

Specifications

20 WATTS
80 CRI
100-277V
WET LOCATION

50,000 HOURS

Certifications



ROUND CANOPY CCT SELECTABLE



Features:

- CCT Selectable - 3000K/4000K/5000K
- Die-cast aluminum body
- 25W, 40W, 55W, 75W and 100W options
- White or Bronze finish
- UV stabilized powder coated finish
- Ceiling or 3/4" pendant mounting
- Beam angle 150°
- Operating temperature:
-40°C to 50°C (-40°F to 122°F)
- IP65
- 5 Year warranty



Round Canopy, Bronze



ColorQuick™

Selectable Color Technology

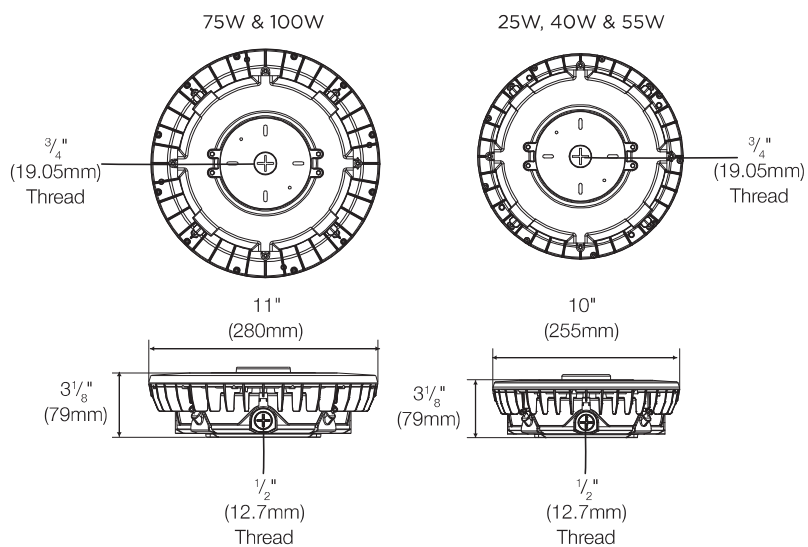
Switch to/from the following CCT



ROUND CANOPY CCT SELECTABLE



Round Canopy, White



Item	Description	W	Lm	CCT Selectable	Pack
65-623	25W Canopy Light - White	25	2800-3322	3000K/4000K/5000K	4
65-624	25W Canopy Light - Bronze	25	2800-3322	3000K/4000K/5000K	4
65-625	40W Canopy Light - White	40	4425-5293	3000K/4000K/5000K	4
65-626	40W Canopy Light - Bronze	40	4425-5293	3000K/4000K/5000K	4
65-627	55W Canopy Light - White	55	6297-7546	3000K/4000K/5000K	4
65-628	55W Canopy Light - Bronze	55	6297-7546	3000K/4000K/5000K	4
65-629	75W Canopy Light - White	75	8876-10485	3000K/4000K/5000K	2
65-630	75W Canopy Light - Bronze	75	8876-10485	3000K/4000K/5000K	2
65-631	100W Canopy Light - White	100	11946-13999	3000K/4000K/5000K	2
65-632	100W Canopy Light - Bronze	100	11946-13999	3000K/4000K/5000K	2

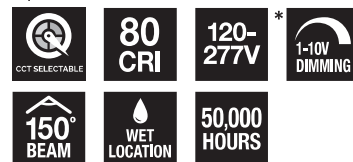
Accessories

86-213	Add-on Microwave Sensor				50
--------	-------------------------	--	--	--	----

*Consult Satco or visit www.satco.com for an up to date dimmer compatibility list. See warranty for details.

Product sheet NUI605

Specifications



Certifications



SQUARE LOW PROFILE CANOPY



Features:

- 28, 40W, 60W and 70W Options
- 4000K and 5000K Options
- Die-cast aluminum body
- 8.5" & 10" sizes
- Bronze finish
- UV stabilized powder coated finish
- Ceiling or 3/4" pendant mounting
- IP65
- 150° Beam angle
- Operating temperature:
-40°C to 40°C (-40°F to 104°F)
- 5 Year warranty

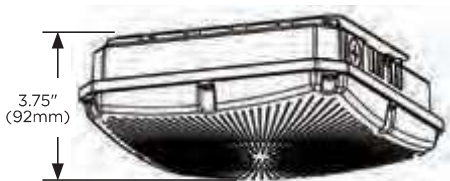


10" Square Canopy

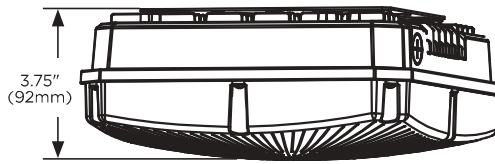
SQUARE LOW PROFILE CANOPY



8.5" Square Canopy



8.5"(216mm) Square



10" (254mm) Square

Item	Description	W	CCT	Lm	Pack
65-138	8.5" Square Canopy - Bronze	28	4000K	3360	6
65-139	8.5" Square Canopy - Bronze	28	5000K	3360	6
65-140	8.5" Square Canopy - Bronze	40	4000K	4800	6
65-141	8.5" Square Canopy - Bronze	40	5000K	4800	6
65-142	10" Square Canopy - Bronze	28	4000K	3360	4
65-143	10" Square Canopy - Bronze	28	5000K	3360	4
65-144	10" Square Canopy - Bronze	40	4000K	4800	4
65-145	10" Square Canopy - Bronze	40	5000K	4800	4
65-146	10" Square Canopy - Bronze	60	4000K	7200	4
65-147	10" Square Canopy - Bronze	60	5000K	7200	4
65-148	10" Square Canopy - Bronze	70	4000K	8400	4
65-149	10" Square Canopy - Bronze	70	5000K	8400	4
Accessories					
86-203	Add-on Microwave Sensor				100
86-204	Add-on Photocell				

*Consult Satco or visit www.satco.com for an up to date dimmer compatibility list. See warranty for details.

Product sheet NU1521

Specifications



Certifications



AREA FLOOD LIGHTS



Features:

- 15W, 30W and 50W Options
- Bronze finish
- Die-cast aluminum body
- UV Stabilized powder coated finish
- Impact-resistant lens
- ½" Knuckle mount and mounting plate included
- 120° Horizontal x 150° vertical beam angle
- 3000K, 4000K and 5000K options
- Operating temperature -20°C to 45°C (-4°F to 113°F)
- IP65
- 5 Year warranty



Small Flood

AREA FLOOD LIGHTS



Medium Flood

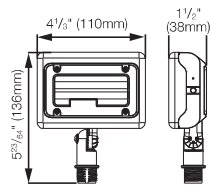


Mounting Plate
(included)

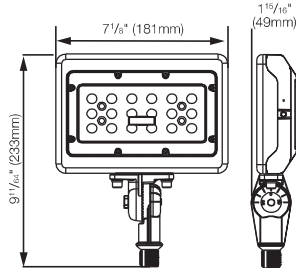


Large Flood

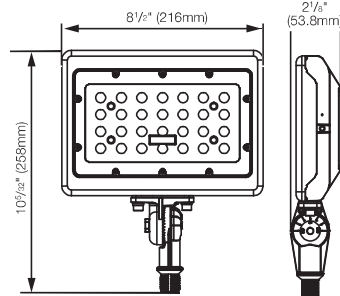
15W with knuckle mount



30W with knuckle mount



50W with knuckle mount



Item	Description	W	MH Equiv.	CCT	Lm	Pack
65-531	Small Flood	15	70W	3000K	1593	16
65-532	Small Flood	15	70W	4000K	1603	16
65-533	Small Flood	15	70W	5000K	1624	16
65-534	Medium Flood	30	70-100W	3000K	3404	8
65-535	Medium Flood	30	70-100W	4000K	3427	8
65-536	Medium Flood	30	70-100W	5000K	3432	8
65-537	Large Flood	50	150W	3000K	5717	6
65-538	Large Flood	50	150W	4000K	5778	6
65-539	Large Flood	50	150W	5000K	5793	6

See warranty for details.

Product sheet NU1604-1

Specifications

80 CRI

100-277V

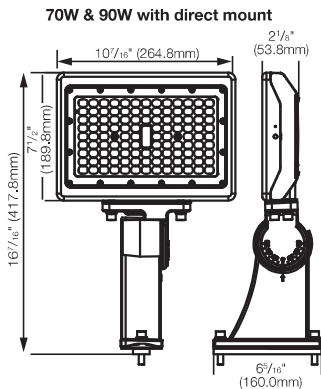
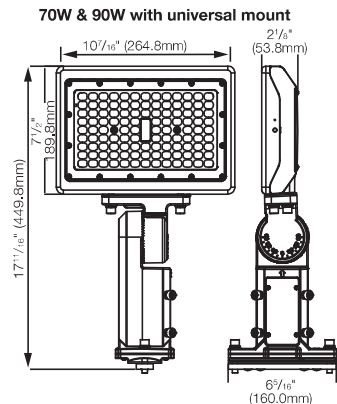
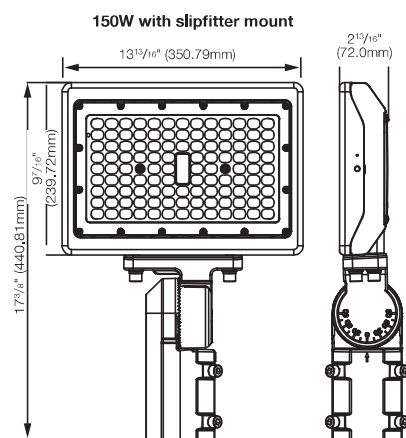
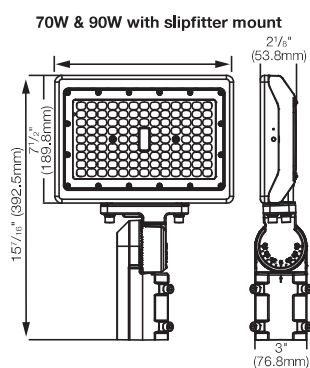
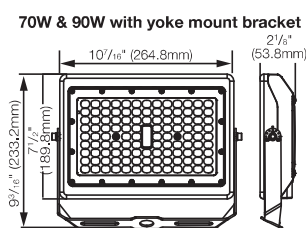
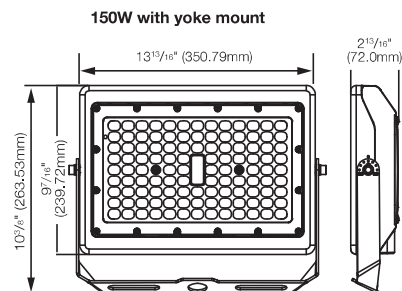
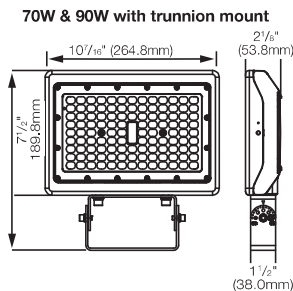
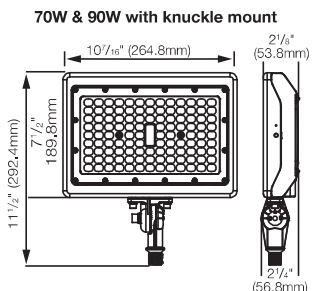
WET LOCATION

50,000 HOURS

2KV SURGE PROTECTION

Certifications

AREA FLOOD LIGHTS



Features:

- 70W, 90W and 150W Options
- Bronze finish
- Die-cast aluminum body
- UV Stabilized powder coated finish
- Impact-resistant lens
- 2 3/8" Slip-fitter mount included (150W)
- Photocell and multiple mounting options available
- 120° Horizontal x 150° vertical beam angle
- 3000K, 4000K and 5000K options
- Operating temperature -20°C to 45°C (-4°F to 113°F)
- IP65
- 5 Year warranty

70 Watt and 90 Watt with standard 1/2" knuckle mount and mounting plate (included).

Mounting plate included



AREA FLOOD LIGHTS

Accessories

150 Watt with standard 2 3/8" slip-fitter mount (included)



Slip-fitter mount included



Universal Mount



(Direct Mount & 2 3/8" Slip-fitter combo)

Direct Mount



Trunnion Mount



Slip-fitter Mount



Photocell



Yoke Mount
65-605 - 70W & 90W
65-606 - 150W



Item	Description	W	CCT	Lm	MH Equiv.	Pack
65-615	70W Flood	70	4000K	9889	150-200W	5
65-616	70W Flood	70	5000K	10030	150-200W	5
65-617	90W Flood	90	4000K	12651	200W	5
65-618	90W Flood	90	5000K	12758	200W	5
65-619	150W Flood	150	4000K	19500	400W	1
65-620	150W Flood	150	5000K	20250	400W	1
Accessories						
65-604	Trunnion Mount 70W, 90W & 150W Flood - Bronze					20
65-605	Yoke Mount 70W & 90W Flood - Bronze					20
65-606	Yoke Mount 150W Flood - Bronze					20
65-609	Slip-Fitter Mount 70W, 90W & 150W Flood - Bronze					8
65-610	Direct Arm Mount 70W, 90W & 150W Flood - Bronze					6
65-613	Universal Mount 70W, 90W & 150W Flood - Bronze					6
86-212	Photocell 70W, 90W & 150W Flood - Includes All Components					50

*Consult Satco or visit www.satco.com for an up to date dimmer compatibility list. See warranty for details.

Product sheet NU1604-2

Specifications



Certifications



UFO HIGH BAY CCT AND WATTAGE SELECTABLE



Features:

- CCT Selectable - 3000K/4000K/5000K
- Integrated sensor port
- Wattage selectable switch - 3 selections
- Black finish
- Operating temperature 65-770
-40°C to 55°C (-40°F to 131°F)
- Operating temperature 65-771
-40°C to 50°C (-40°F to 122°F)
- 90° Beam angle
- Includes 6' whip

UFO High Bay Optional
Accessories - Page 46-47



Shown with
add-on sensor



ColorQuick™

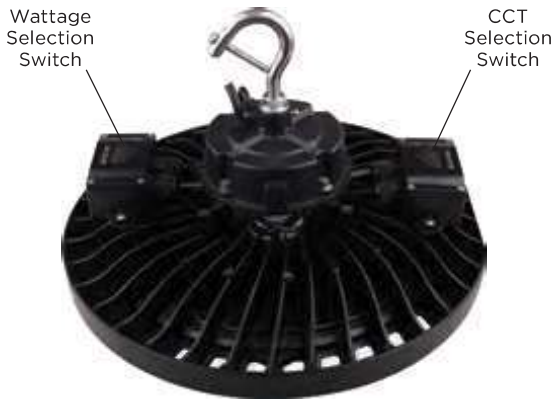
Selectable Color Technology

Switch to/from the following CCT

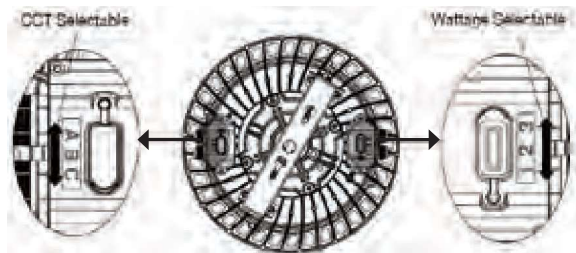


PowerQuick™

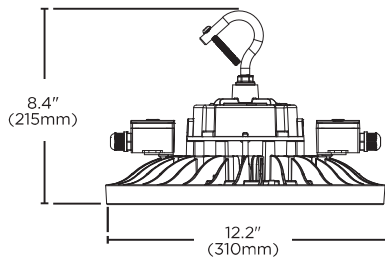
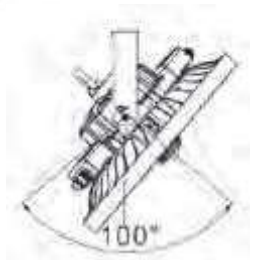
UFO HIGH BAY CCT AND WATTAGE SELECTABLE



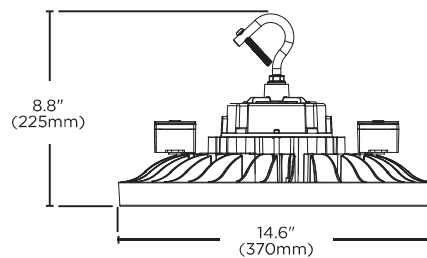
Add on sensor 86-218



Shown with yoke accessory



65-770R1



65-771R1

Item	Description	Wattage Selectable	CCT Selectable	Lm	Pack
65-770R1	8 1/2" x 12 1/4" - Black	80/100/120	3000K/4000K/5000K	11840-18600	1
65-771R1	8 7/8" x 14 5/8" - Black	150/175/200	3000K/4000K/5000K	22200-28800	1

*Consult Satco or visit www.satco.com for an up to date dimmer compatibility list. See warranty for details.

Product sheet NU1640 *

Specifications



Certifications



UFO HIGH BAY



Features:

- 100W, 150W, 200W, 240W Options
- 4000K & 5000K Options
- Integrated sensor port
- Black or White finish
- Operating temperature
-40°C to 45°C (-40°F to 113°F)
- 90° Beam angle
- Includes 6' whip

UFO High Bay Optional
Accessories - Page 46-47

Shown with
add-on sensor

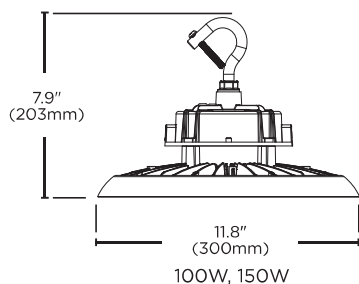


Black

UFO HIGH BAY



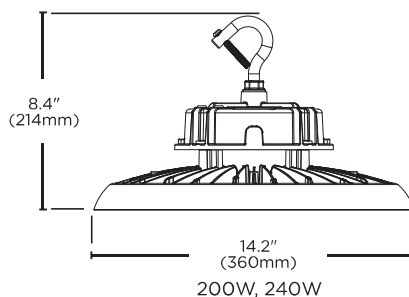
White



Add on sensor 86-218



Shown with yoke accessory



Item	Description	W	V	CCT	Lm	Pack
Black 120-277V						
65-781R1	7 7/8" x 11 7/8" - Black	100	120V-277V	4000K	14000	1
65-782R1	7 7/8" x 11 7/8" - Black	100	120V-277V	5000K	14400	1
65-783R1	7 7/8" x 11 7/8" - Black	150	120V-277V	4000K	20850	1
65-784R1	7 7/8" x 11 7/8" - Black	150	120V-277V	5000K	21600	1
65-785R1	8 1/2" x 14 1/4" - Black	200	120V-277V	4000K	28000	1
65-786R1	8 1/2" x 14 1/4" - Black	200	120V-277V	5000K	28800	1
65-787R1	8 1/2" x 14 1/4" - Black	240	120V-277V	4000K	33360	1
65-788R1	8 1/2" x 14 1/4" - Black	240	120V-277V	5000K	34560	1
White 120-277V						
65-791R1	7 7/8" x 11 7/8" - White	100	120V-277V	4000K	14000	1
65-792R1	7 7/8" x 11 7/8" - White	100	120V-277V	5000K	14400	1
65-793R1	7 7/8" x 11 7/8" - White	150	120V-277V	4000K	20850	1
65-794R1	7 7/8" x 11 7/8" - White	150	120V-277V	5000K	21600	1
65-795R1	8 1/2" x 14 1/4" - White	200	120V-277V	4000K	28000	1
65-796R1	8 1/2" x 14 1/4" - White	200	120V-277V	5000K	28800	1
65-797R1	8 1/2" x 14 1/4" - White	240	120V-277V	4000K	33360	1
65-798R1	8 1/2" x 14 1/4" - White	240	120V-277V	5000K	34560	1
Black 277-480V						
65-801	7 7/8" x 11 7/8" - Black	100	277V-480V	4000K	14100	1
65-802	7 7/8" x 11 7/8" - Black	100	277V-480V	5000K	14500	1
65-803	7 7/8" x 11 7/8" - Black	150	277V-480V	4000K	21000	1
65-804	7 7/8" x 11 7/8" - Black	150	277V-480V	5000K	21750	1
65-805	8 1/2" x 14 1/4" - Black	200	277V-480V	4000K	28200	1
65-806	8 1/2" x 14 1/4" - Black	200	277V-480V	5000K	29000	1
65-807	8 1/2" x 14 1/4" - Black	240	277V-480V	4000K	33840	1
65-808	8 1/2" x 14 1/4" - Black	240	277V-480V	5000K	34800	1

See warranty for details.

Product sheet NU1620

Specifications



Certifications



OPTIONAL UFO HIGH BAY ACCESSORIES



5.5' Supply Extension Whip
with IP68 Connector

IP68 Rated Whip Features
 5.5 Ft. length SJTW 18/3
 Waterproof IP68 rated
 Voltage rating 300V
 Current rating 16A
 Operating temperature range
 -40°C - 105°C (-40°F - 221°F)



65-780 EM for UFO High Bays
(120-347V) 30W 90 Minute Run Time
 65-815 EM for UFO High Bays
(120-347V) 40W 90 Minute Run Time



Remote for Microwave Sensor

**Used to program
 86-218 sensors
 with the below settings:**
 Brightness
 Sensitivity
 Hold Time
 Standby Dimming
 Daylight
 Standby Time



Add On Microwave Sensor
 Requires the 86-219 remote to be
 programmed. One remote can control
 any sensor up to 12 meters away.



Yoke Mount - Black or White



3/8" to 3/4" Pendant Adapter -
 Black or White



Aluminum Reflector



Protective Wire Guard

OPTIONAL UFO HIGH BAY ACCESSORIES



PC Shade



Bottom Diffuser,
for use with PC Shade

Item	Description	Application	Pack
65-169	Whip connector; 0-10V 5.5 Ft. - IP68 rated - Black	All	50
65-170	Whip connector; 0-10V 5.5 Ft. - IP68 rated - White	All	50
65-199	Whip connector; 5.5 Ft. - IP68 rated - Black	All	50
65-200	Whip connector; 5.5 Ft. - IP68 rated - White	All	50
65-759	3/8" To 3/4" pendant adapter - White	All	20
65-763	Yoke mount - White	80W/100W/120W, 100W & 150W	20
65-764	Yoke mount - White	150W/175W/200W, 200W & 240W	20
65-765	Yoke mount - Black	80W/100W/120W, 100W & 150W	20
65-766	Yoke mount - Black	150W/175W/200W, 200W & 240W	20
65-767	Aluminum reflector	80W/100W/120W	20
65-768	Aluminum reflector	150W/175W/200W	20
65-769	3/8" To 3/4" pendant adapter - Black	All	20
65-772	PC shade	80W/100W/120W	10
65-773	Add on bottom diffuser w/clamp band	w/65-772	40
65-774	PC shade	150W/175W/200W	10
65-775	Add on bottom diffuser w/clamp band	w/65-774	40
65-776	Protective wire guard	80W/100W/120W	20
65-777	Protective wire guard	150W/175W/200W	20
65-778	Aluminum reflector	100W & 150W	20
65-779	Aluminum reflector	200W & 240W	20
65-780	EM (30W)UFO high bays (120-347V)	80W/100W/120W, 100W & 150W	4
65-789	PC shade	100W & 150W	10
65-790	Add on bottom diffuser w/clamp band	w/65-789	40
65-799	PC shade	200W & 240W	10
65-800	Add on bottom diffuser w/clamp band	w/65-799	40
65-809	Protective wire guard	100W & 150W	20
65-810	Protective wire guard	200W & 240W	20
65-815	EM (40W) UFO high bays (120-347V)	150W/175W/200W, 200W & 240W	4
86-218	Add on microwave sensor	All	50
86-219	Remote for 86-218	All	10

See warranty for details.

Product sheets NU1620 / NU1640

LINEAR HIGH BAY



Features:

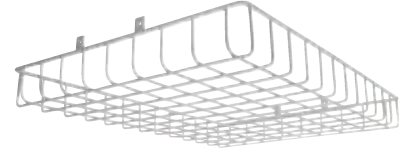
- 80W, 110W, 165W, 225W Options
- 4000K & 5000K Options
- Suspension chain included - 48"
- V-clips included
- Operating temperature -
-20°C to 45°C (-4°F to 113°F)
- 5 Year warranty



LINEAR HIGH BAY



Optional Pendant /
Surface Mount Kit
65-497



Optional Protective Cage
65-498 (2'/80W & 100W)
65-499 (2'/165W)
65-500 (4'/225W)

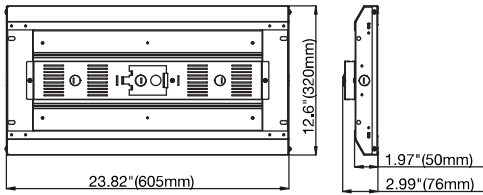


MW Sensor
86-202

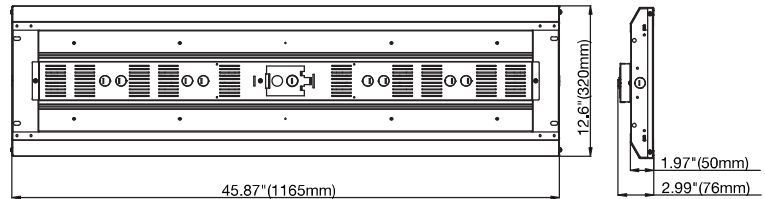


PIR Sensor
86-211

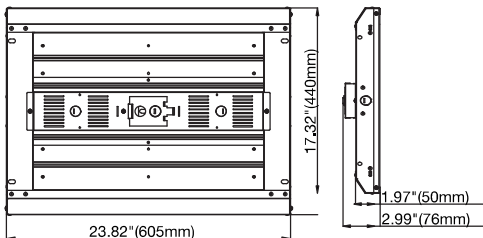
65-501, 60-502, 65-503, 65-504



65-507, 65-508



65-505, 65-506



Item	Size	W	CCT	Lm	Pack
65-501	24" x 12.5"	80	4000K	10400	1
65-502	24" x 12.5"	80	5000K	10400	1
65-503	24" x 12.5"	110	4000K	14300	1
65-504	24" x 12.5"	110	5000K	14300	1
65-505	24" x 17.25"	165	4000K	21450	1
65-506	24" x 17.25"	165	5000K	21450	1
65-507	46" x 12.5"	225	4000K	29250	1
65-508	46" x 12.5"	225	5000K	29250	1

Accessories

65-498	2 FT Wire guard - White	For 80W & 110W	10
65-499	2 FT Wire guard - White	For 165W	10
65-500	4FT Wire guard - White	For 225W	10
86-202	Add on microwave sensor - White		30
86-211	PIR Sensor - White		20
65-497	Pendant/Surface mount kit - White		20

*Consult Satco or visit www.satco.com for an up to date dimmer compatibility list.
See warranty for details.

Product sheet NU1519

Specifications



Certifications



ADJUSTABLE LINEAR HIGH BAY

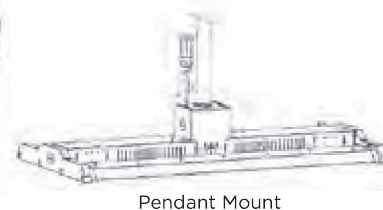
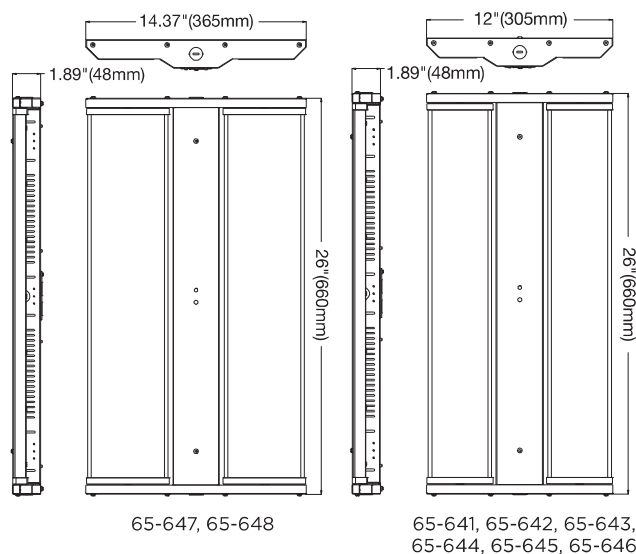
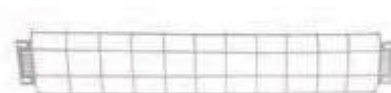
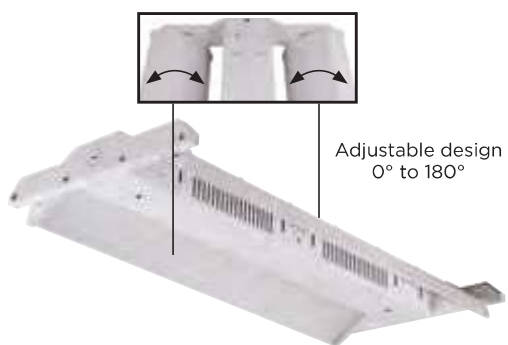


Features:

- Unique adjustable design
- 80W, 110W, 165W, 225W Options
- 4000K & 5000K Options
- Suspension chain included - 40"
- Operating temperature
-40°C to 50°C (-40°F to 122°F)
- 5 Year warranty



ADJUSTABLE LINEAR HIGH BAY



Item	Size	W	CCT	Lm	Pack
65-641	12" x 26"	110	4000K	15297	2
65-642	12" x 26"	110	5000K	15470	2
65-643	12" x 26"	135	4000K	19562	2
65-644	12" x 26"	135	5000K	19770	2
65-645	12" x 26"	165	4000K	22970	2
65-646	12" x 26"	165	5000K	23223	2
65-647	14 3/8" x 26"	220	4000K	30394	2
65-648	14 3/8" x 26"	220	5000K	30742	2

Accessories

65-650	Pendant mount kit adjustable high bay - White	20
65-651	Surface mount kit adjustable high bay - White	20
86-209	EM battery back up adjustable high bay - White	10
86-210	Microwave sensor adjustable high bay - White	20
86-211	PIR sensor - White	20
65-652	Protective cage; 110/135/165W adj high bay - White	20
65-653	Protective cage; 220W adj high bay - White	20

*Consult Satco or visit www.satco.com for an up to date dimmer compatibility list.
See warranty for details.

Product sheet NU1606

Specifications



Certifications



CCT SELECTABLE, WATTAGE SELECTABLE STRIPS



Features:

- 3500K/4000K/5000K Selectable
- Wattage selectable versions
- Multiple mounting options
- Flicker-free driver
- 2KV Surge protection (3KV 65-703)
- Operating temperature
-20°C to 60°C (-4°F to 140°F)
- 5 Year warranty



ColorQuick™

Selectable Color Technology

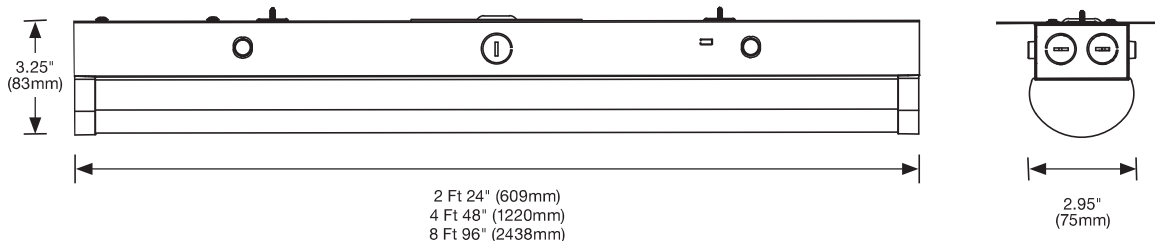


PowerQuick™*

Switch to/from the following CCT



CCT SELECTABLE, WATTAGE SELECTABLE STRIPS



Item	Description	W	V	CCT	Lm	Pack
65-700	2 Ft. Linear Strip	20	100-277	3500K/4000K/5000K	2735-2830	6
65-701*	4 Ft. Linear Strip	30/40/50	100-277	3500K/4000K/5000K	3900-6750	6
65-702*	8 Ft. Linear Strip	30/40/50	100-277	3500K/4000K/5000K	3900-6750	4
65-703†	8 Ft. High Lumen Linear Strip	82	120-347	3500K/4000K/5000K	10400-10800	4
Accessories						
65-706	2' & 4' Suspension kit					50
65-707	8' Suspension kit					20
65-708	Emergency Backup Battery - 8W/1440lm/90 minute run time (not for use with 65-700)					20
86-202	Microwave Sensor - White					20
86-211	PIR Sensor - White					20

Specifications

-
-
-
-
-
-
-
-
-

Certifications

-
-
-
-

**Consult Satco or visit www.satco.com for an up to date dimmer compatibility list. See warranty for details.

Product sheet NU1629

SLIM STRIPS



Features:

- Built-in j-box for easy installation
- Six ½" knockout access points on conduit connectible versions
- Integrated connectible version, connect up to 10 units (connector sold separately)
- 2KV Surge protection
- Operating temperature -20° to 40°C (-4°F to 104°F)
- 5 Year warranty

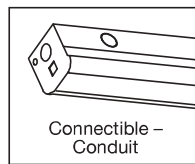
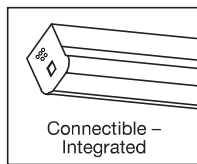
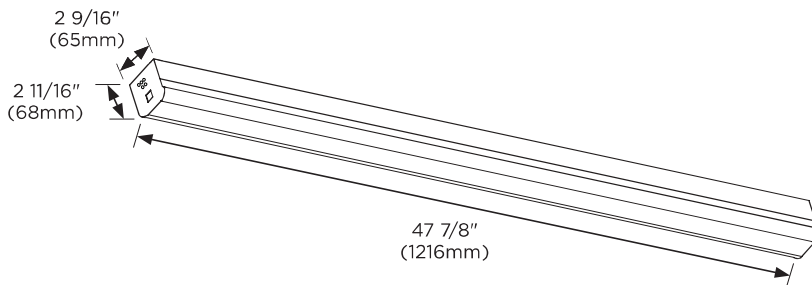


Connectible -
Conduit

SLIM STRIPS

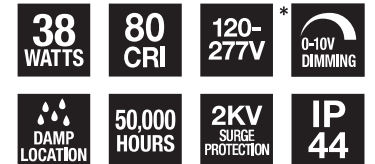


Accessories



Item	Description	CCT	Lm	Linkable	Pack
65-1122	Slim Strip Light	4000K	4565	No	6
65-1123	Slim Strip Light	5000K	4860	No	6
65-1125	Slim Connectible Strip Light	4000K	4565	Yes (10 units)	6
65-1126	Slim Connectible Strip Light	5000K	4860	Yes (10 units)	6
Accessories					
65-1118	Quick Connector				100
65-1119	18" Quick Cable				100
65-1127	33" Suspension Kit				48
86-202	Microwave Sensor - White				20
86-211	PIR Sensor - White				20

Specifications



Certifications



*Consult Satco or visit www.satco.com for an up to date dimmer compatibility list. See warranty for details.

WIDE STRIPS



Features:

- Built-in j-box for easy installation
- Six 1/2" knockout access points on conduit connectible versions
- Integrated connectible version, connect up to 10 units (connector sold separately)
- 2KV Surge protection
- Operating temperature -20° to 40°C (-4°F to 104°F)
- 5 Year warranty



Connectible -
Conduit

WIDE STRIPS

Accessories



Connectible - Integrated



65-1127



65-1118



65-1119



86-202



86-211

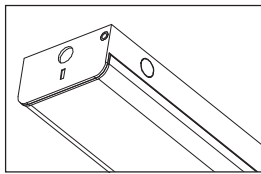
Connectible version with integrated sensor: controls up to 7 units at 120V and 10 units at 277V

Emergency battery backup version (EM): 90 minute run time - 8W - 1000 lumens

5 1/8" (130mm)
2 5/8" (67mm)

Connectible

47 7/8" (1216mm)



Connectible - Conduit



Connectible - Integrated Shown

Item	Description	W	CCT	Lm	Linkable	Pack
65-1132	Wide Strip Light	38	4000K	4829	No	6
65-1133	Wide Strip Light	38	5000K	4909	No	6
65-1135	Wide Connectible Strip Light	38	4000K	4829	10 units	6
65-1136	Wide Connectible Strip Light	38	5000K	4909	10 units	6
65-1142	Wide Strip Light w/Sensor	40	4000K	4829	No	6
65-1143	Wide Strip Light w/Sensor	40	5000K	4909	No	6
65-1145	Wide Connectible Strip Light w/Sensor	40	4000K	4829	10 units	6
65-1146	Wide Connectible Strip Light w/Sensor	40	5000K	4909	10 units	6
65-1152	EM Wide Strip Light	40	4000K	4829	No	6
65-1153	EM Wide Strip Light	40	5000K	4909	No	6
65-1155	EM Wide Connectible Strip Light	40	4000K	4829	10 units	6
65-1156	EM Wide Connectible Strip Light	40	5000K	4909	10 units	6

Accessories

65-1118	Quick Connector					100
65-1119	18" Quick Cable					100
65-1127	33" Suspension Kit					48
86-202	Microwave Sensor - White					20
86-211	PIR Sensor - White					20

*Consult Satco or visit www.satco.com for an up to date dimmer compatibility list. See warranty for details.

Product sheet NUI559

Specifications



Certifications



SLIM AND WIDE STRIPS – CONNECTABILITY



Slim and wide connectible strips are available with "jumper cable" connection or male/male quick connector. Only one fixture needs to be wired to energize the entire run, (up to 40' depending on the configuration).

Knockout option for standalone units or traditional conduit connection.



Male/male quick connector allows for almost seamless tandem installation.

Connectible up to 10 units, depending on configuration.



One integrated sensor version can control up to 7 units at 120V and 10 units at 277V.



Emergency battery backup (EM):

Wide LED connectible strip fixtures are available with integrated Emergency Battery Backup.

Battery mode:

90 Minute run time

8W - 1000 Lumens

Optional sensors available to accommodate life safety codes, (86-210 microwave), (86-211 PIR)

WIDE STRIPS WITH INTEGRATED MICROWAVE MOTION SENSOR

Settings:

By selecting the combination on the DIP switches, sensor data can be precisely set for each specific application.

ON ↑ [Switch]		1	2	
	I	ON	ON	100%
	II	ON	-	75%
	III	-	ON	50%
	IV	-	-	10%

Detection area

Detection area can be reduced by selecting the combination on the DIP switches to fit precisely each application.

ON ↑ [Switch]		3	4	5	
	I	ON	ON	ON	5S
	II	-	ON	ON	30S
	III	ON	-	ON	90S
	IV	-	-	ON	3min
	V	ON	ON	-	20min
	VI	-	-	-	+∞

Hold time

Refers to the time period the lamp remains at 100% illumination after no motion detected.

ON ↑ [Switch]		6	7	8	
	I	ON	ON	ON	0S
	II	-	ON	ON	5S
	III	ON	-	ON	5min
	IV	-	-	ON	10min
	V	ON	ON	-	30min
	VI	-	ON	-	1h
	VII	-	-	-	Disable

Stand-by period

Refers to the time period the lamp remains at a low light level before it completely switches off in the long absence of people. When set to "+∞" mode, the low light is maintained until motion is detected.

ON ↑ [Switch]		1	2	3	4	
	I	-	-	ON	ON	2Lux
	II	-	-	-	ON	5Lux
	III	-	ON	ON	-	10Lux
	IV	-	-	ON	-	25Lux
	V	-	ON	-	-	50Lux
	VI	ON	-	-	-	100Lux
	VII	-	-	-	-	Disable

Daylight sensor

The sensor can be set to only allow the lamp to illuminate below a defined ambient brightness threshold.

When set to Disable mode, the daylight sensor will switch on the lamp when motion is detected regardless of ambient light level.

50lux, 30lux: twilight operation, 10lux, 5lux: darkness operation only.

Note that daylight sensor is active only when lamp totally switches off.

ON ↑ [Switch]		5	6	
	I	ON	ON	50%
	II	-	ON	30%
	III	ON	-	20%
	IV	-	-	10%

Stand-by dimming level

The low light level you would like to have after the hold time in the long absence of people.

VAPOR TIGHT CCT SELECTABLE



Features:

- CCT Selectable - 3000K/4000K/5000K
- Wattage selectable versions
- Rugged enclosure
- Operating temperature:
-40°C to 45°C (-40°F to 113°F)
- 120° Beam angle



ColorQuick™

Selectable Color Technology

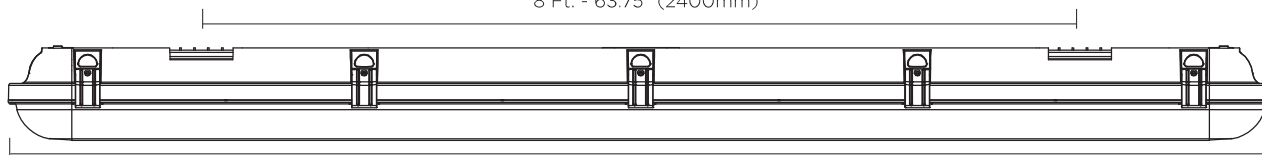
Switch to/from the following CCT



PowerQuick™

VAPOR TIGHT CCT SELECTABLE

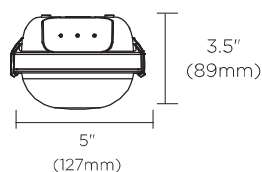
2 Ft. - 10.25" (600mm)
4 Ft. - 31.5" (1200mm)
8 Ft. - 63.75" (2400mm)



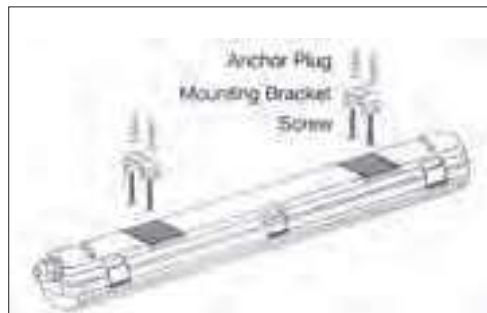
23.625" (600mm)
47.25" (1200mm)
94.5" (2400mm)



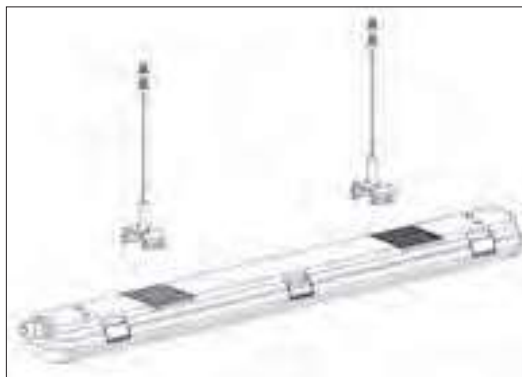
IP68 Connector



Surface installation



Suspension installation



Item	Description	W	CCT	Lm	Pack
65-820*	2' - Gray	20W	3000/4000/5000	2164 - 2505	6
65-821**	4' - Gray	40W/50W/60W	3000/4000/5000	5360 - 7991	6
65-822**	8' - Gray	50W/60W/72W	3000/4000/5000	6400 - 9360	1
65-823	2' w/ Sensor - Gray	20W	3000/4000/5000	2164 - 2505	6
65-824**	4' w/ Sensor - Gray	40W/50W/60W	3000/4000/5000	5360 - 7991	6
65-825**	8' w/ Sensor - Gray	50W/60W/72W	3000/4000/5000	6400 - 9360	1

Accessories

65-826	2' & 4' Vapor Tight Suspension Kit - 3' Cable Length				100
65-827	8' Vapor Tight Suspension Kit - 3' Cable Length				50

*Consult Satco or visit www.satco.com for an up to date dimmer compatibility list. See warranty for details.

Product sheet NU1470

Specifications

**

- WATTAGE SELECTABLE
- CCT SELECTABLE
- 100-277V
- 80 CRI

*

- 0-10V DIMMING
- WET LOCATION
- 50,000 HOURS
- 2KV SURGE PROTECTION

- IP 65
- IK 08

Certifications



TRI-PROOF CCT AND WATTAGE SELECTABLE



Features:

- CCT Selectable - 3000K/4000K/5000K
- Wattage selectable versions
- Rugged enclosure
- Operating temperature:
-40°C to 45°C (-40°F to 113°F)
- 115° Beam angle



ColorQuick™

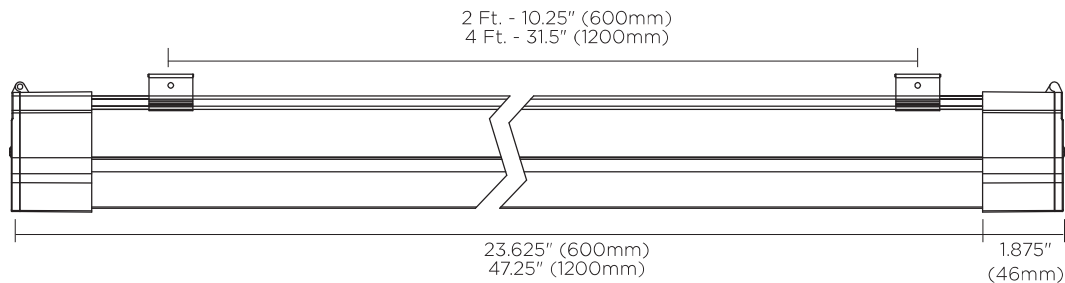
Selectable Color Technology

Switch to/from the following CCT



PowerQuick™

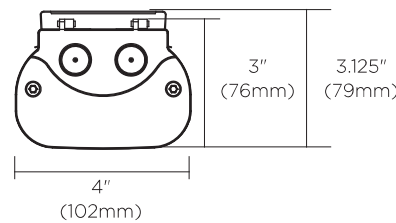
TRI-PROOF CCT AND WATTAGE SELECTABLE



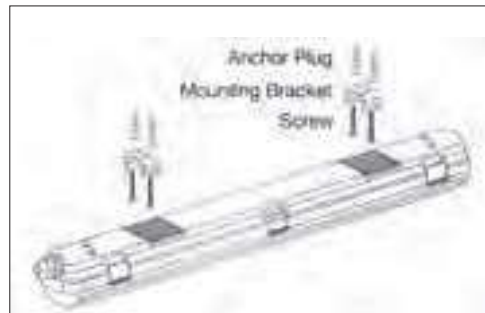
Tri-proof:
Water/Dust Proof
Vandal Proof
Anti-corrosion



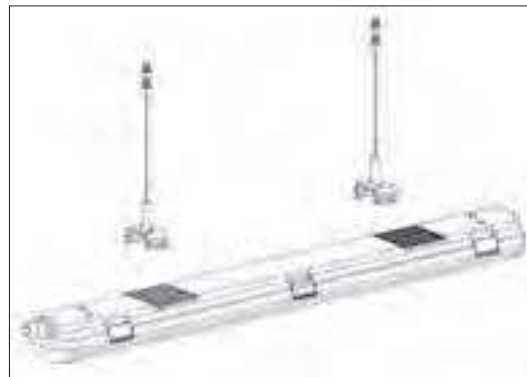
IP68 Connector



Surface installation



Suspension installation



Item	Description	W	CCT	Lm	Pack
65-830*	2' - Gray	20W	3000/4000/5000	2065 - 2249	6
65-831* **	4' - Gray	40W/50W/60W	3000/4000/5000	5040 - 7669	6
65-832	2' w/ Sensor - White/Gray	20W	3000/4000/5000	2065 - 2249	6
65-833*	4' w/ Sensor - White/Gray	40W/50W/60W	3000/4000/5000	5040 - 7669	6
Accessories					
65-828	2' & 4' Tri-Proof Suspension Kit - 3' Cable Length				100

*Consult Satco or visit www.satco.com for an up to date dimmer compatibility list. See warranty for details.

Product sheet NU1470

Specifications

**

*

Certifications



WRAPS



Features:

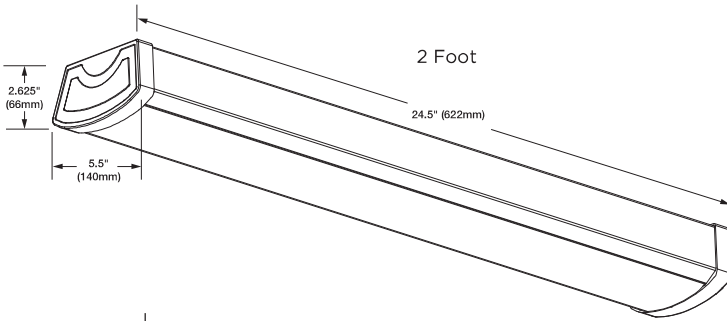
- Complies with NEC 410.16(A)(3) and NEC 410.16(C)(5)
- 2' and 4' Lengths
- With or without pull chain or sensor
- Mount directly to junction box or internally wire using built-in junction box
- Operating temperature -20°C to 40°C (-4°F to 104°F)
- 5 Year warranty



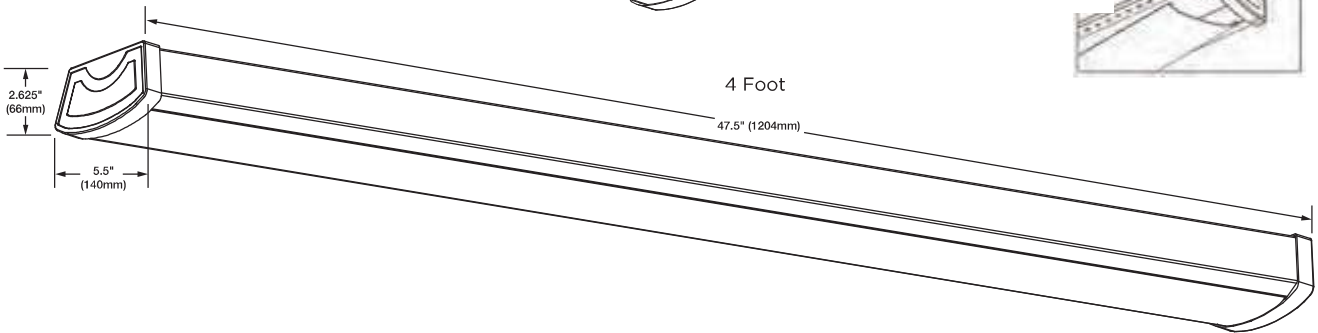
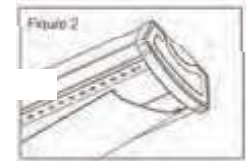
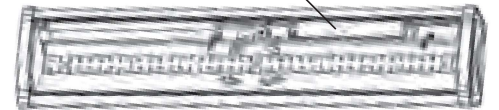
WRAPS



PIR Sensor specifications (Ceiling mounted installation - ceiling height 2.2-4m / 7'-13'):
 Detection Distance: 4-6m / 13'-20'
 No Detection Shut Off Time: 70 Seconds



Built-in junction box - All models



Item	Description	W	V	CCT	Lm	Pack
65-1081	2 Ft.	20	100-277	4000K	1600	4
65-1082	4 Ft.	40	100-277	4000K	3200	4
65-1083	2 Ft.	20	100-277	3000K	1600	4
65-1084	4 Ft.	40	100-277	3000K	3200	4
Wraps with On/Off Pull Chain						
65-1091	2 Ft.	20	120	3000K	1600	4
65-1092	4 Ft.	40	120	3000K	3200	4
Wraps with Motion Sensor						
65-1095	2 Ft.	20	100-277	3000K	1600	4
65-1096	4 Ft.	40	100-277	3000K	3200	4
65-1097	2 Ft.	20	100-277	4000K	1600	4
65-1098	4 Ft.	40	100-277	4000K	3200	4

Specifications



Certifications



See warranty for details.

Product sheet NUI352

STRIPS



Features:

- 4' and 2' stand-alone versions
- 2' and 4' stand-alone strips comply with NEC 410.16 (A)(3) and NEC 410.16 (C)(5)
- 1', 2', and 4' Connectible versions
- Ceiling or wall mount
- Ultra-slim design
- 5 Year warranty

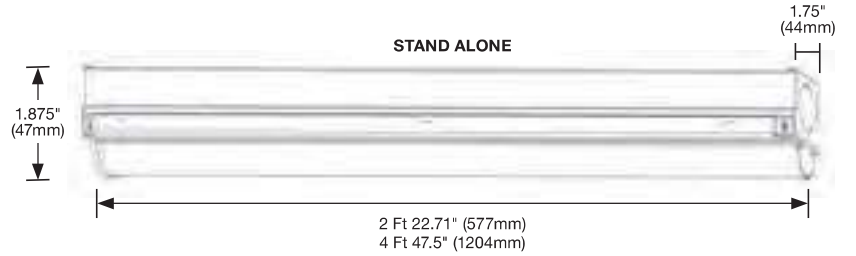


STRIPS

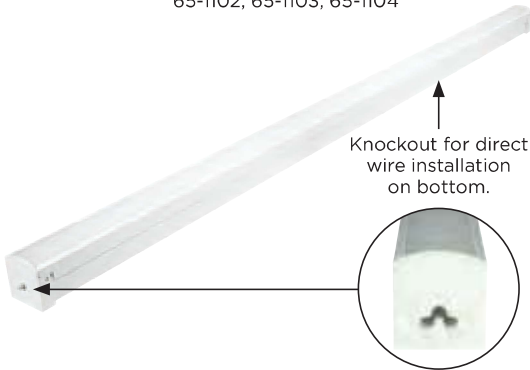
Stand-alone strips
65-1100, 65-1101



Knockouts for direct wire installation on ends and bottom.

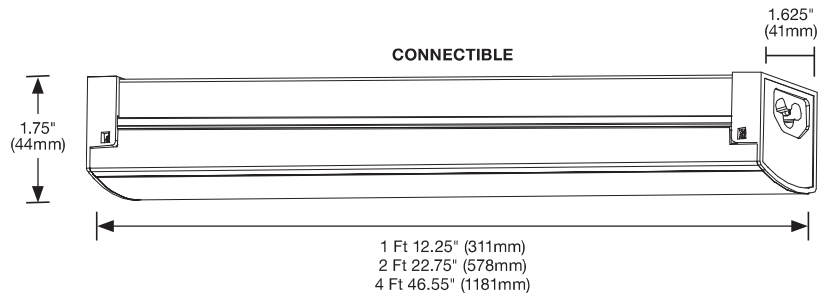


Connectible strips
65-1102, 65-1103, 65-1104



Knockout for direct wire installation on bottom.

Connection port
*Units include male/male flush joiner



Connectible Strip Accessories

Connectible Strip maximum number of units that can be connected:
65-1102 - 27 units
65-1103 - 14 units
65-1104 - 9 units



5' Power cord
65-1107



Connectors:
8 inch 65-1108
16 inch 65-1112
24 inch 65-1113

Item	Description	W	V	Lm	Pack
Stand-alone Strip					
65-1100	2 Ft.	12	100-277	900	12
65-1101	4 Ft.	24	100-277	1800	12
Connectible Strip					
65-1102*	1 Ft.	12	120	840	12
65-1103*	2 Ft.	24	120	1680	12
65-1104*	4 Ft.	36	120	2600	12
Connectible Strip Accessories					
65-1107	5 Foot power cord				1
65-1108	8 Inch male/male joiner				1
65-1112	16 Inch male/male joiner				1
65-1113	24 Inch male/male joiner				1

See warranty for details.

Product sheet NUI356

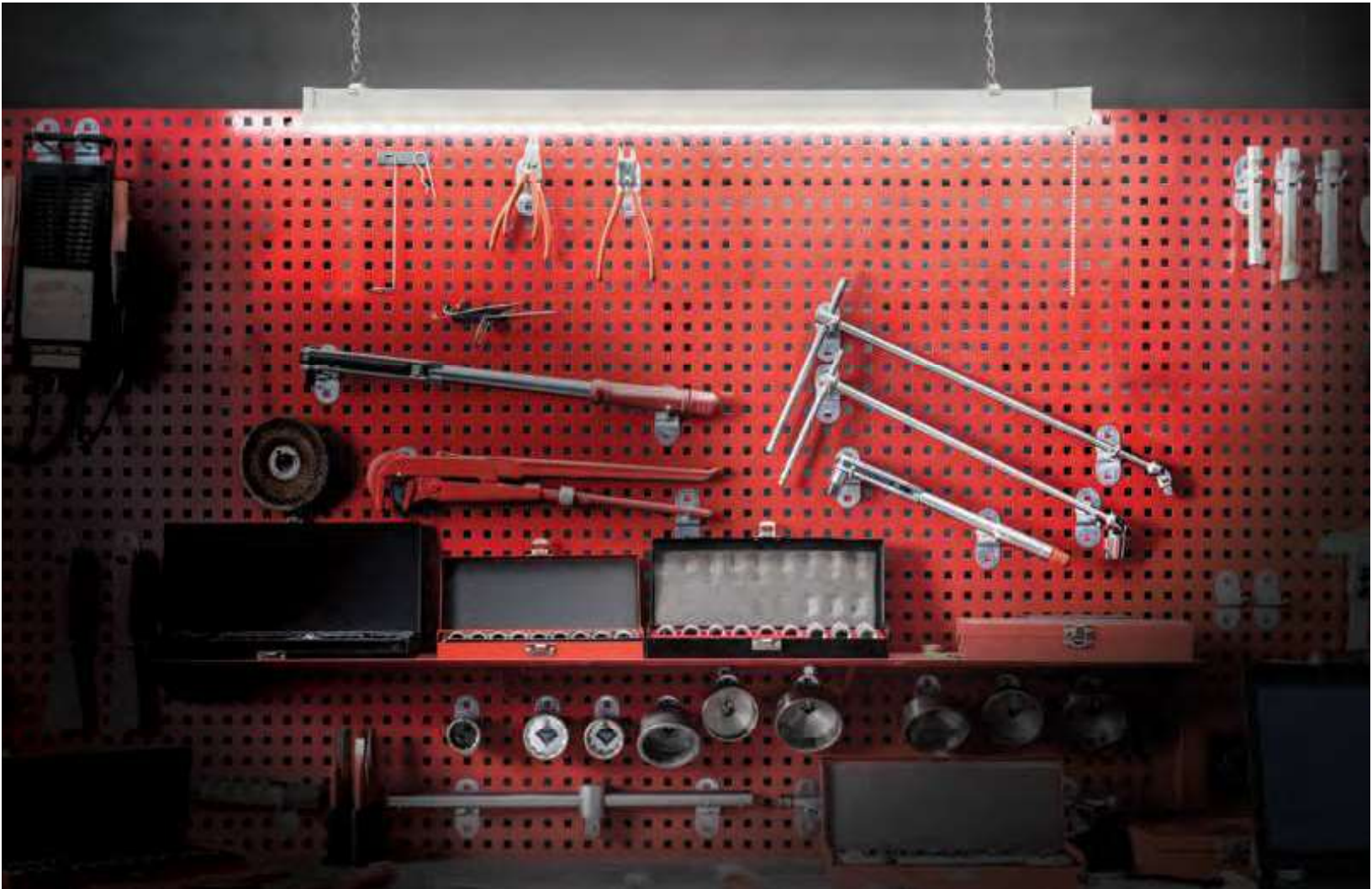
Specifications



Certifications



SHOP LIGHTS



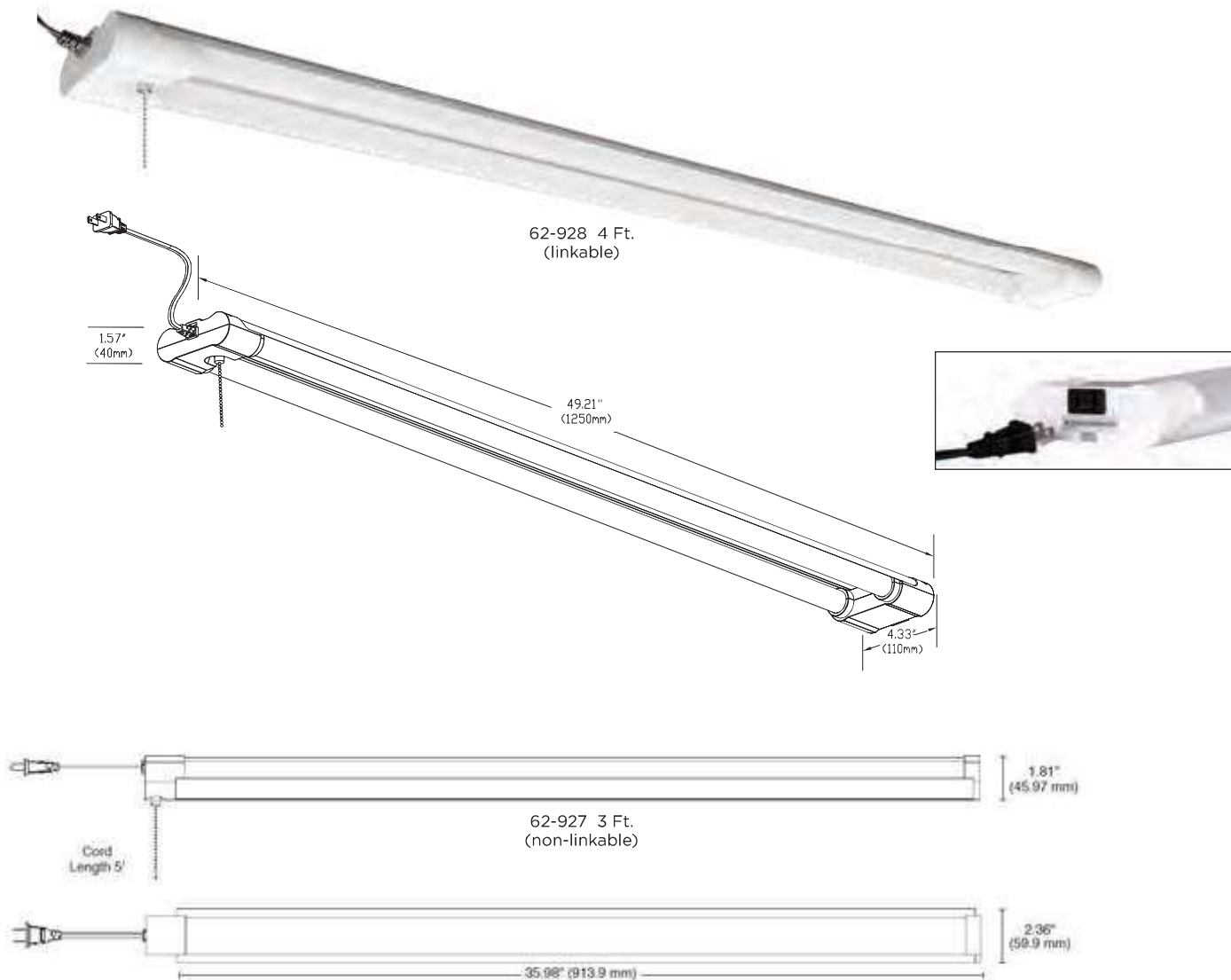
Features:

- Hanging or flush mount installation
- 5' Power cord
- 6" Hanging cables, mounting screws and drywall anchors included
- Linkable up to 4 fixtures (62-928)
- On/off pull chain
- Easy installation
- 5 Year warranty



62-927 3 Ft.
(non-linkable)

SHOP LIGHTS



Item	Description	W	Lm	Pack
62-927*	3' Non-Linkable Shop Light - White	34	3000	8
62-928**	4' Linkable Shop Light - White	42	4200	8

See warranty for details.

Product sheet NU1515

Specifications

120 VOLT
80 CRI
4000 K


50,000 HOURS

Certifications








BACK-LIT FLAT PANELS CCT SELECTABLE



Features:

- CCT Selectable - 3500K/4000K/5000K
- Operating temperature -17°C to 45°C (1°F to 113°F)
- Flicker-free driver
- Integrated EM options
- EM Mode - 90 Minute run time
- 8W/1000 Lms
- Recessed, surface mount and suspension kits available
- 5 year warranty



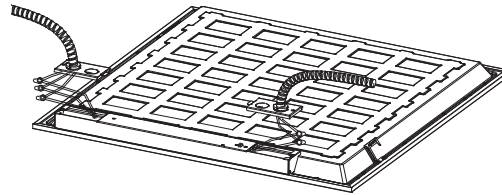
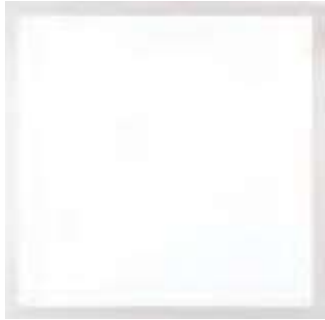
ColorQuick™

Selectable Color Technology

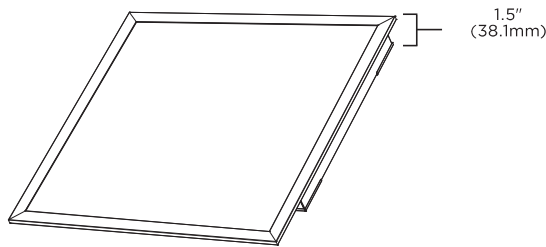
Switch to/from the following CCT



BACK-LIT FLAT PANELS CCT SELECTABLE

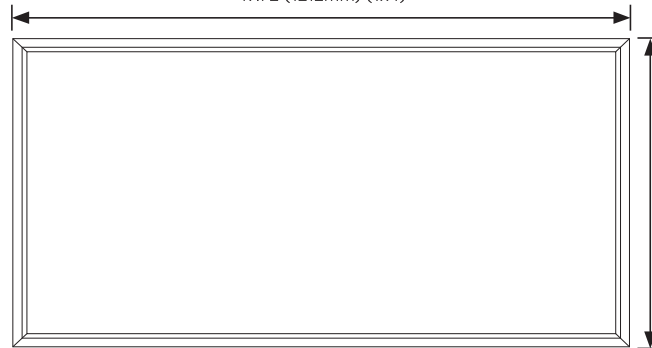


Selectable CCT
3500K, 4000K, 5000K



1.5"
(38.1mm)

23.75 (603mm) (2x2)
47.72 (1212mm) (2x4)
47.72 (1212mm) (1x4)



11.84 (300mm) (1x2)
23.75 (603mm) (2x2)
23.75 (603mm) (2x4)

Item	Description	W	V	CCT Selectable	Lm	Pack
65-571	2x2	40	100-277V	3500K/4000K/5000K	4200-4400	1
65-572	2x4	50	100-277V	3500K/4000K/5000K	5250-5500	1
65-573	1x4	40	100-277V	3500K/4000K/5000K	4200-4400	1
65-581	2x2	40	100-347V	3500K/4000K/5000K	4200-4400	1
65-582	2x4	50	100-347V	3500K/4000K/5000K	5250-5500	1
65-583	1x4	40	100-347V	3500K/4000K/5000K	4200- 4400	1
65-575	2x2 EM	40	100-277V	3500K/4000K/5000K	4200-4400	1
65-576	2x4 EM	50	100-277V	3500K/4000K/5000K	5250-5500	1
65-577	1x4 EM	40	100-277V	3500K/4000K/5000K	4200-4400	1
65-585	2x2 EM	40	100-347V	3500K/4000K/5000K	4200-4400	1
65-586	2x4 EM	50	100-347V	3500K/4000K/5000K	5250-5500	1
65-587	1x4 EM	40	100-347V	3500K/4000K/5000K	4200- 4400	1

Accessories

65-591	2x2 Suspension kit					30/1
65-592	1x4 Suspension kit					30/1
65-593	2x4 Suspension kit					30/1
65-595	1x4 Frame kit EM	48" L x 12 11/16" W x 4 5/16" D				10/1
65-596	2x2 Frame kit EM	24 1/16" L x 24 9/16" W x 4 5/16" D				10/1
65-597	2x4 Frame kit EM	48" L x 24 9/16" W x 4 5/16" D				10/1
65-588	1x4 Flange kit	49 3/16" L x 13 1/4" W x 1 1/2" D				10/1
65-589	2x2 Flange kit	25 3/16" L x 25 3/16" W x 1 1/2" D				10/1
65-590	2x4 Flange kit	49 3/16" L x 25 3/16" W x 1 1/2" D				10/1
65-598	1x4 Slim frame kit	48 1/16" L x 12 1/16" W x 2 3/8" D				10/1
65-599	2x4 Slim frame kit	23 15/16" L x 48 1/16" W x 2 3/8" D				10/1
65-600	2x2 Slim frame kit	23 15/16" L x 24 1/16" W x 2 3/8" D				10/1

*Consult Satco or visit www.satco.com for an up to date dimmer compatibility list. See warranty for details.

Product sheet NU1607

Specifications



Certifications



TROFFERS - SINGLE AND DOUBLE BASKET WATTAGE & CCT SELECTABLE



Features:

- CCT Selectable - 3500K/4000K/5000K
- Wattage Selectable
- Volumetric design
- Flicker-free driver
- Operating temperature -20°C to 40°C (-4°F to 104°F)
- Drop into T-bar grid
- 5 Year warranty



ColorQuick™

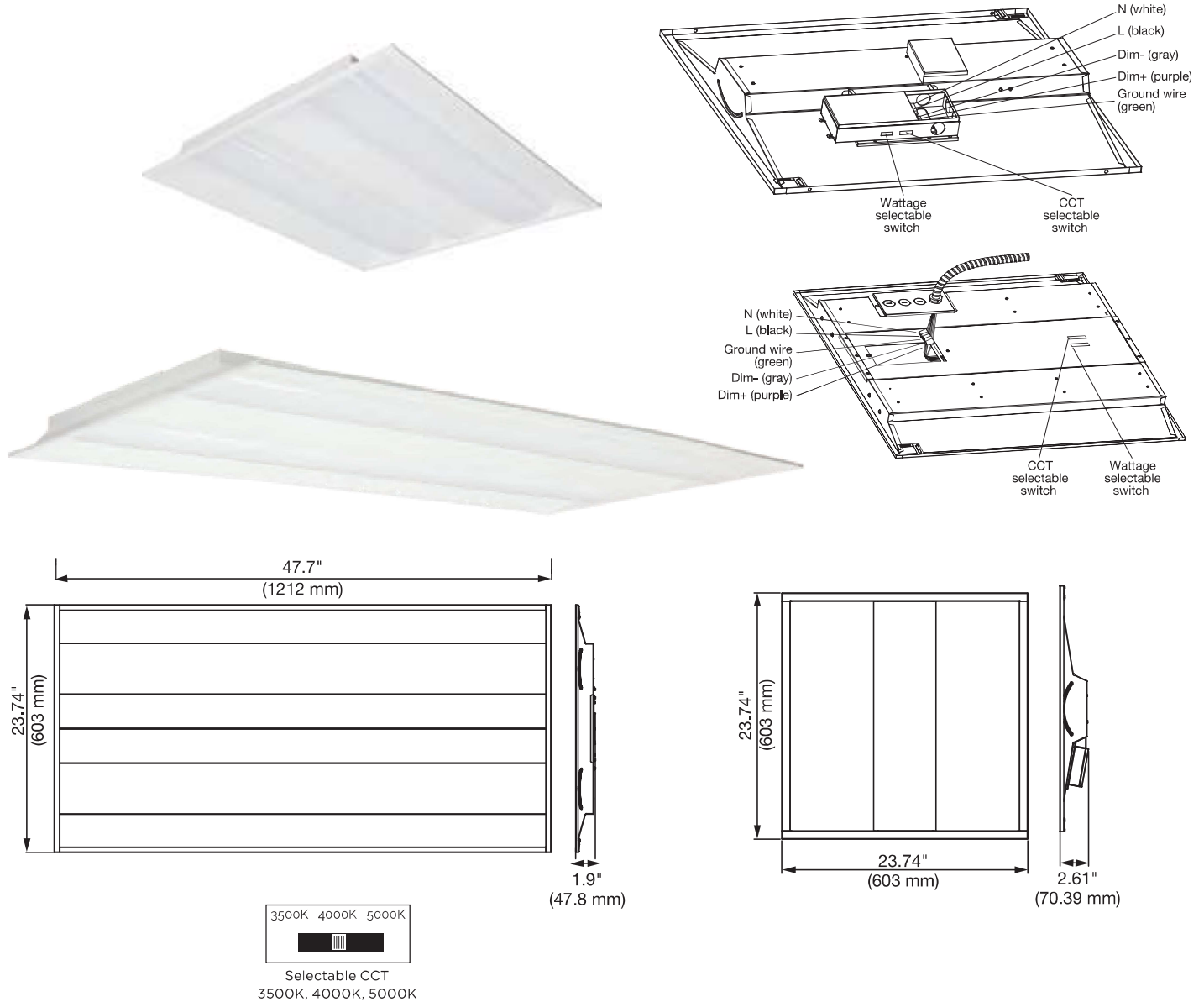
Selectable Color Technology

Switch to/from the following CCT



PowerQuick™

TROFFERS - SINGLE AND DOUBLE BASKET WATTAGE & CCT SELECTABLE



Item	Description	W	CCT Selectable	Lm	Pack
65-690	2x2 Single basket	30/35/40	3500K/4000K/5000K	3300-4400	1
65-691	2x4 Single basket	30/40/50	3500K/4000K/5000K	3300-5500	1
65-694	2x2 Double basket	30/35/40	3500K/4000K/5000K	3300-4600	1
65-695	2x4 Double basket	30/40/50	3500K/4000K/5000K	3300-5750	1

*Consult Satco or visit www.satco.com for an up to date dimmer compatibility list. See warranty for details.

Product sheet NUI628

Specifications

CCT SELECTABLE	WATTAGE SELECTABLE	80 CRI	100-277V
0-10V DIMMING	DAMP LOCATION	50,000 HOURS	2KV SURGE PROTECTION

Certifications

UL US LISTED	DLC ETL Emitter	FC	RoHS COMPLIANT
--------------	-----------------	----	----------------

TROFFERS - SINGLE BASKET

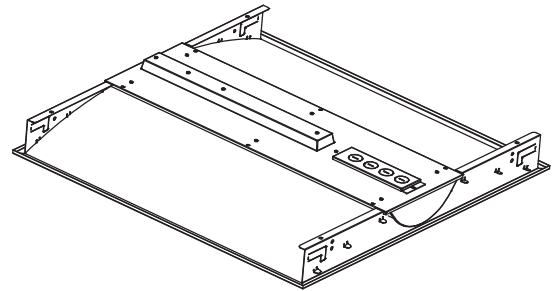
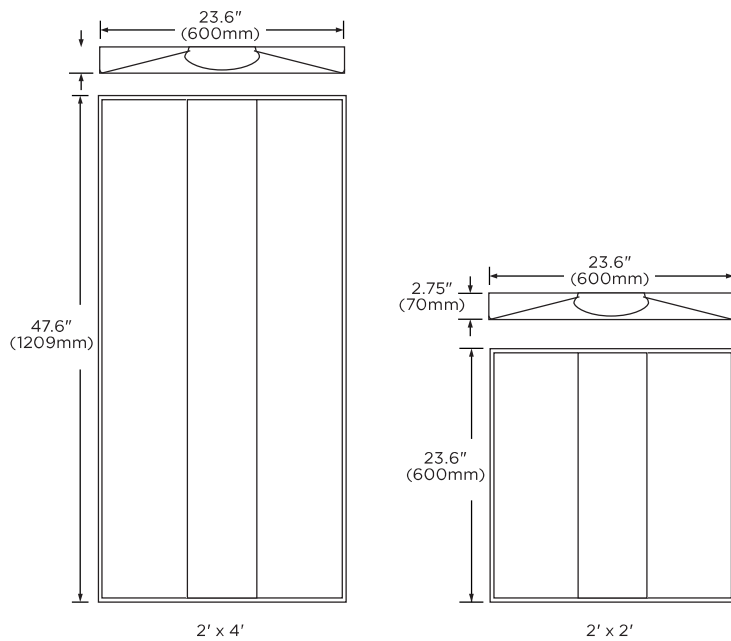


Features:

- Volumetric design
- Flicker-free driver
- Broad, even light distribution
- Operating temperature
-20°C to 40°C (-4°F to 104°F)
- Drop into T-bar grid
- 5 Year warranty



TROFFERS - SINGLE BASKET



Item	Description	W	CCT	Lm	Pack
65-421	2x2	30	3500K	3750	1
65-422	2x2	30	4000K	3750	1
65-423	2x2	30	5000K	3750	1
65-427	2x4	40	3500K	5000	1
65-428	2x4	40	4000K	5000	1
65-429	2x4	40	5000K	5000	1
65-430	2x4	50	3500K	6250	1
65-431	2x4	50	4000K	6250	1
65-432	2x4	50	5000K	6250	1

Specifications



Certifications



*Consult Satco or visit www.satco.com for an up to date dimmer compatibility list. See warranty for details.

Product sheet NU1518

TROFFERS - SINGLE BASKET EMERGENCY BATTERY BACKUP**

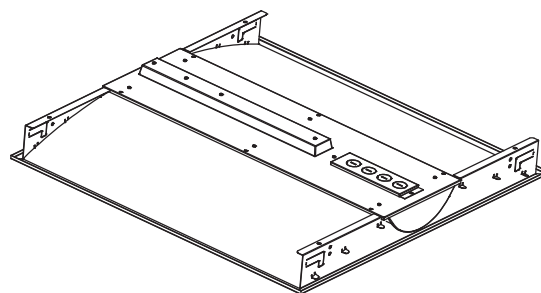
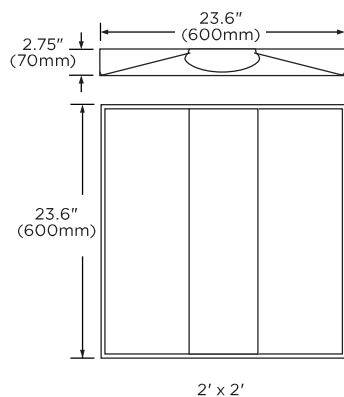
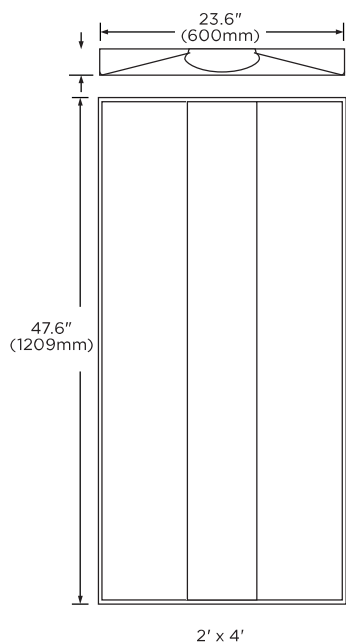


Features:

- Volumetric design
- Flicker-free driver
- Integrated test button and indicator light
- EM Mode - 90 Minute run time
- 8W/1000 Lms
- No additional wiring steps
- Operating temperature
-20°C to 40°C (-4°F to 104°F)
- Drop into T-bar grid
- 5 Year warranty



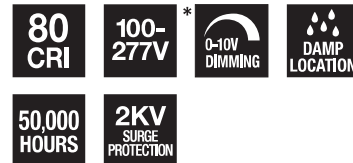
TROFFERS - SINGLE BASKET EMERGENCY BATTERY BACKUP**



**Battery Mode:
8W
1000 Lumens

Item	Description	W	CCT	Lm	Pack
65-445	2x2 EM	30	3500K	3750	1
65-446	2x2 EM	30	4000K	3750	1
65-447	2x2 EM	30	5000K	3750	1
65-451	2x4 EM	40	3500K	5000	1
65-452	2x4 EM	40	4000K	5000	1
65-453	2x4 EM	40	5000K	5000	1
65-454	2x4 EM	50	3500K	6250	1
65-455	2x4 EM	50	4000K	6250	1
65-456	2x4 EM	50	5000K	6250	1

Specifications



Certifications



*Consult Satco or visit www.satco.com for an up to date dimmer compatibility list. See warranty for details.

Product sheet NU1517

LED COLORQUICK® DOWNLIGHT RETROFITS

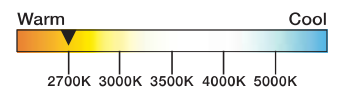


Features:

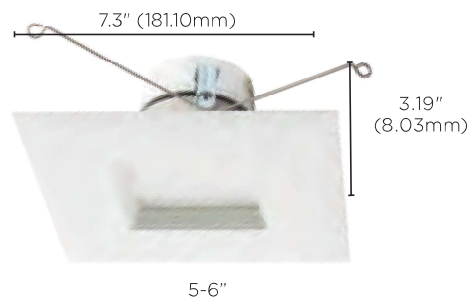
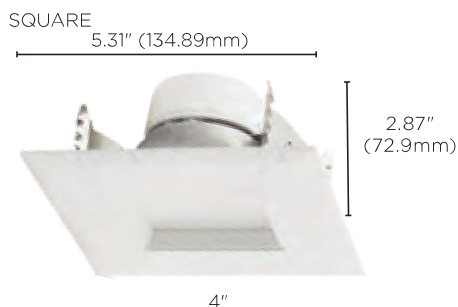
- 5 Selectable CCT settings
- SKU reducer - 35 products, only 7 SKU's
- 3 Styles: Round, Square & Gimbal
- 2 Sizes: for 4" and 5/6" standard recessed housing
- Wet location (baffles)
- Damp location (gimbals)
- ENERGY STAR® certified
- T20/T24 Compliant
- Long life—50,000 Hours
- 5 Year warranty



Color changeable -
5 color temperature
settings



LED COLORQUICK® DOWNLIGHT RETROFITS



Item	Description	W	CCT Selectable	Lm	Pack
Round					
S11800	7WLED/RDL/4/ADJ-CCT/120V	7	27K/30K/35K/40K/50K	600	16/4
S11801	9WLED/RDL/5-6/ADJ-CCT/120V	9	27K/30K/35K/40K/50K	800	8
S11825	13.5WLED/RDL/5-6/CCT-SEL/120V	13.5	27K/30K/35K/40K/50K	1200	8
Square					
S11820	6.5WLED/RDL/SQ/4/CCT-SEL/120V	6.5	27K/30K/35K/40K/50K	600	24
S11821	11.5WLED/RDL/SQ/5-6/CCT-SEL	11.5	27K/30K/35K/40K/50K	1000	12
Gimbal					
S11822	7.5WLED/DIR/4/60'/CCT-SEL	7.5	27K/30K/35K/40K/50K	600	8
S11824	10.5WLED/DIR/5-6/90'/CCT-SEL	10.5	27K/30K/35K/40K/50K	800	8

*Consult Satco or visit www.satco.com for an up to date dimmer compatibility list. See warranty for details.

Product sheet SA2740

Specifications



Certifications



5"/6" LED RECESSED DOWNLIGHT RETROFITS



Features:

- Direct replacement for reflector lamps
- High efficiency/environmentally friendly
- Dimmable*
- Wet location
- c-UL-us Classified
- Long life—35,000 hours
- ENERGY STAR® certified
- 3 Year warranty

