

5"/6" LED RECESSED DOWNLIGHT RETROFITS



E26 Adapter included

This retrofit is for use with recessed housings with an E26 socket only.



Item	Description	CCT	Pack
S29312	9.8WLED/RDL/5-6/27K/120V	2700K	12
S29313	9.8WLED/RDL/5-6/30K/120V	3000K	12
S29314	9.8WLED/RDL/5-6/40K/120V	4000K	12
S29315	9.8WLED/RDL/5-6/50K/120V	5000K	12

*Consult Satco or visit www.satco.com for an up to date dimmer compatibility list. See warranty for details.

Product sheet SA2013

Specifications

9.8 WATTS	650 LUMENS	90 CRI	120 VOLT
DIMMABLE	WET LOCATION	35,000 HOURS	

Certifications



QUICK TRIM™ 4", 5"/6" LED RECESSED DOWNLIGHT RETROFIT 2-PACKS



Features:

- Direct replacement for reflector lamps
- Dimmable*
- Damp location listed
- Long life - 25,000 hours
- ENERGY STAR® certified
- 3 Year warranty



QUICK TRIM™ 4", 5"/6" LED RECESSED DOWNLIGHT RETROFIT 2-PACKS



Extends to reach the socket.
Retracts to meet the surface.



Screw lamp into
existing socket.



Push into the fixture
until the trim is flush
against surface.



Item	Description	W	Lm	Pack
S9598	8.5W/LED/4"TRIM/2700K/120V/2PK	8.5	510	12 - 2 pks
S9599	12W/LED/5-6"TRIM/2700K/120V/2P	12	800	12 - 2 pks

*Consult Satco or visit www.satco.com for an up to date dimmer compatibility list. See warranty for details.

Product sheet SA1965

Specifications

**80
CRI**

**120
VOLT**

DIMMABLE

**DAMP
LOCATION**

**25,000
HOURS**

Certifications

**UL
LISTED**

ENERGY STAR

LED READY RECESSED CAN ASSEMBLIES



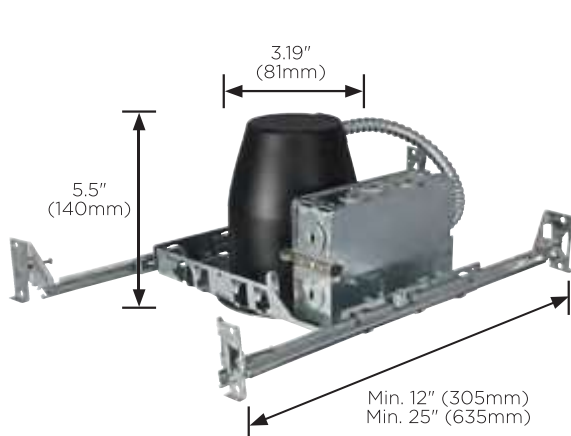
Features:

- Air tight rated
- Suitable for damp or wet locations
- IC Rated



Quick-connect plugs make installation even easier.

LED READY RECESSED CAN ASSEMBLIES



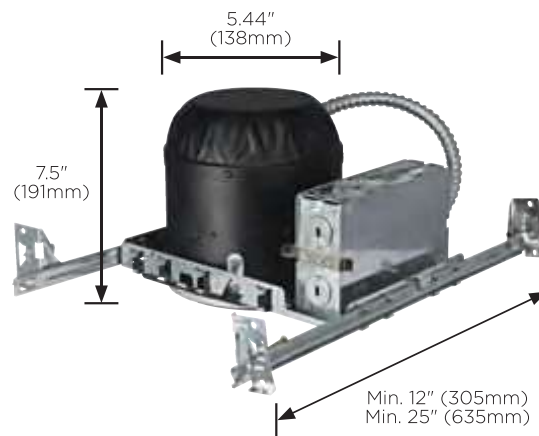
S9538 4" Can - New Construction

For 120V, 60Hz, 18W max.

Suitable for wet and damp locations*

For use only with UL or cUL classified LED or equivalent

IC Rated



S9540 5/6" Can - New Construction

For 120V, 60Hz, 24W max.

Suitable for wet and damp locations*

For use only with UL or cUL classified LED or equivalent

IC Rated



S9539 4" Can - Remodel

For 120V, 60Hz, 18W max.

Suitable for wet and damp locations*

For use only with UL or cUL classified LED or equivalent

IC Rated



S9541 5/6" Can - Remodel

For 120V, 60Hz, 24W max.

Suitable for wet and damp locations*

For use only with UL or cUL classified LED or equivalent

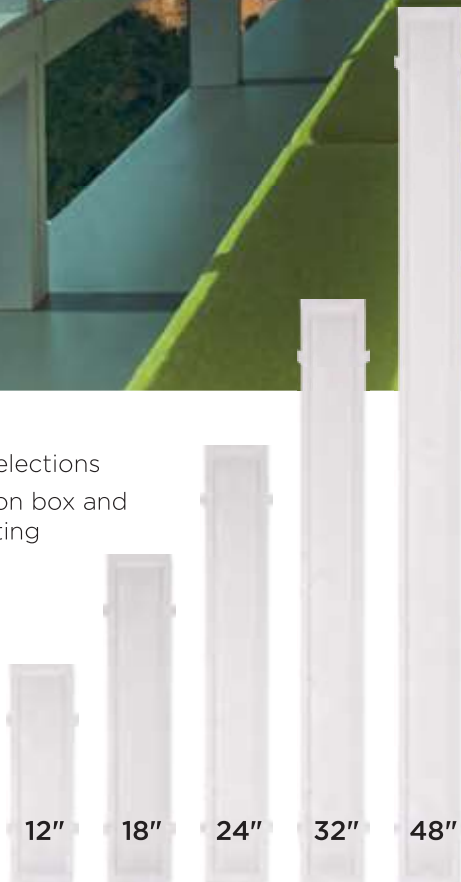
IC Rated

CCT SELECTABLE DIRECT WIRE, BACK-LIT, LINEAR RECESSED



Features:

- 5 Sizes - 3 CCT selections
- Direct wire junction box and spring-clip mounting
- Damp location
- Air tight
- 40,000 Hours



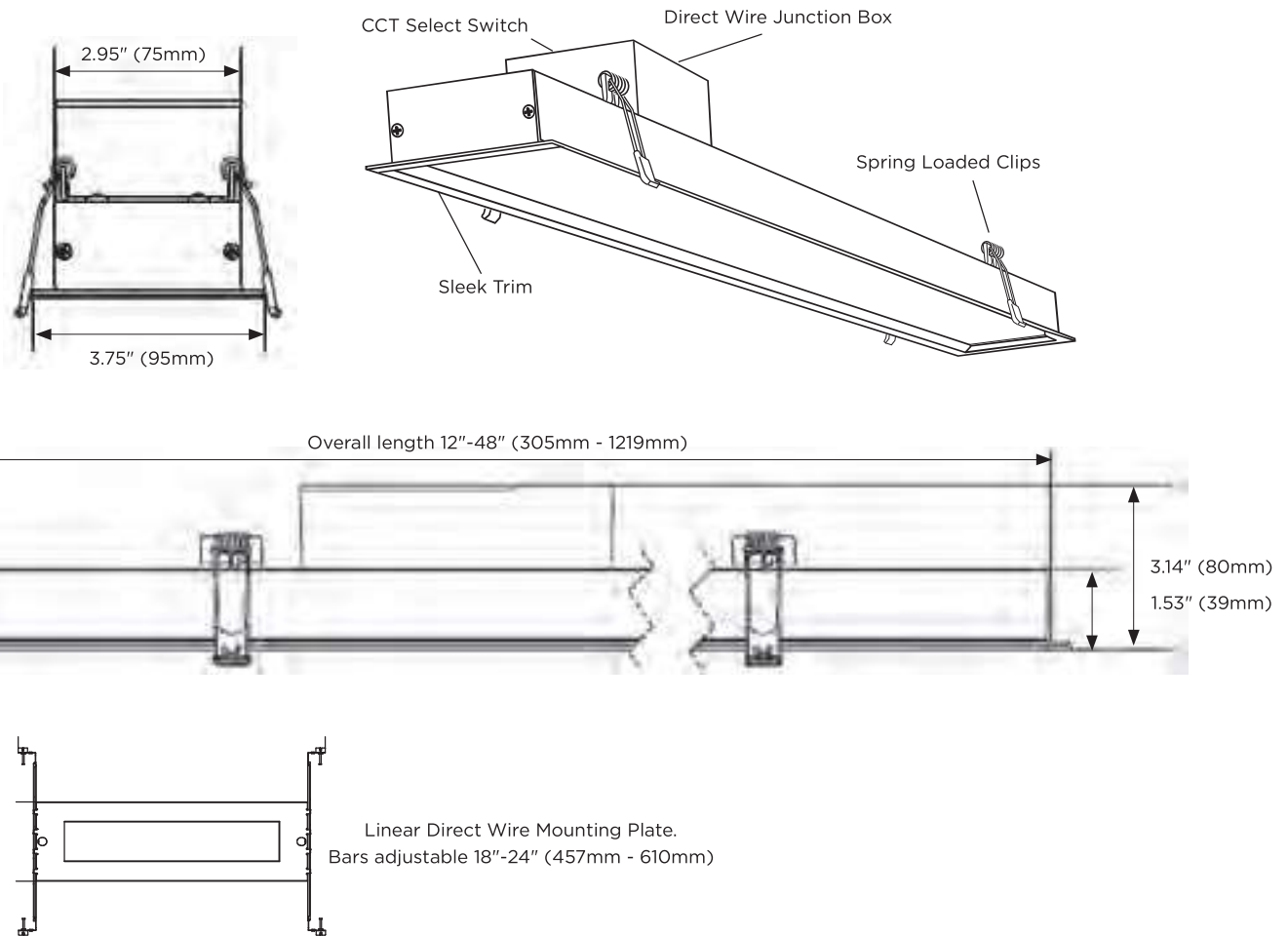
ColorQuick™

Selectable Color Technology

Switch to/from the following CCT



CCT SELECTABLE DIRECT WIRE, BACK-LIT, LINEAR RECESSED



Item	Description	W	CCT Selectable	Lm	Pack
LED Linear Recessed					
S11720	10WLED/DW/LINEAR/ 12"/ADJ-CCT	10	3000K/4000K/5000K	750	12
S11721	15WLED/DW/LINEAR/ 18"/ADJ-CCT	15	3000K/4000K/5000K	1125	12
S11722	20WLED/DW/LINEAR/ 24"/ADJ-CCT	20	3000K/4000K/5000K	1500	12
S11723	25WLED/DW/LINEAR/ 32"/ADJ-CCT	25	3000K/4000K/5000K	1875	12
S11724	40WLED/DW/LINEAR/ 48"/ADJ-CCT	40	3000K/4000K/5000K	3000	12
LED Linear Recessed Mounting Plate for New Construction					
80-962	Rough-in plate / bars 12" linear				6/1
80-963	Rough-in plate / bars 18" linear				6/1
80-964	Rough-in plate / bars 24" linear				6/1
80-965	Rough-in plate / bars 32" linear				6/1
80-966	Rough-in plate / bars 48" linear				6/1

*Consult Satco or visit www.satco.com for an up to date dimmer compatibility list. See warranty for details.

Product sheet SA2615

Specifications



Certifications



4" DIRECT WIRE EDGE-LIT DOWNLIGHTS



Features:

- No recessed can required
- Direct replacement for 45 Watt reflector
- Slim design, low profile
- Integrated j-box for direct wire installation saves time and materials
- Damp location
- Dimmable*
- Easy install spring clips
- IC rated
- 5 Year warranty



4" DIRECT WIRE EDGE-LIT DOWNLIGHTS



Top view



Item	Description	CCT	Lm	Pack
S39055	8.5WLED/DW/EL/4/27K/120V	2700K	500	12
S39056	8.5WLED/DW/EL/4/30K/120V	3000K	500	12
S39057	8.5WLED/DW/EL/4/40K/120V	4000K	540	12
S39058	8.5WLED/DW/EL/4/50K/120V	5000K	540	12
Accessories				
80-946	Goof ring 4" - direct wire DL - 6" outside diameter			12
80-950	Rough-in plate/4" direct wire			24

Specifications

**8.5
WATTS**

**90
CRI**

**120
VOLT**

DIMMABLE

**40,000
HOURS**

**DAMP
LOCATION**

Certifications

Efficiency Standards
T24
California Title 24
Residential and
Non-Residential
Compliant

*Consult Satco or visit www.satco.com for an up to date dimmer compatibility list. See warranty for details.

Product sheet SA2591

6" DIRECT WIRE EDGE-LIT DOWNLIGHTS



Features:

- No recessed can required
- Direct replacement for 65 Watt reflector
- Slim design, low profile
- Integrated j-box for direct wire installation saves time and materials
- Damp location
- Dimmable*
- Easy install spring clips
- IC rated
- 5 Year warranty



6" DIRECT WIRE EDGE-LIT DOWNLIGHTS



Top view



Item	Description	CCT	Lm	Pack
S39061	11.6WLED/DW/EL/5-6/27K/120V	2700K	730	12
S39062	11.6WLED/DW/EL/5-6/30K/120V	3000K	730	12
S39063	11.6WLED/DW/EL/5-6/40K/120V	4000K	780	12
S39059	11.6WLED/DW/EL/5-6/50K/120V	5000K	780	12
Accessories				
80-947	Goof ring 6" - direct wire DL - 8" outside diameter			12
80-951	Rough-in plate/6" direct wire			24

Specifications

11.6
WATTS

90
CRI

120
VOLT

DIMMABLE

DAMP LOCATION

40,000
HOURS

Certifications

Efficiency Standards
T24 California Title 24
 Residential and
 Non-Residential
 Compliant

*Consult Satco or visit www.satco.com for an up to date dimmer compatibility list. See warranty for details.

Product sheet SA2592

8" DIRECT WIRE EDGE-LIT DOWNLIGHTS



Features:

- No recessed can required
- Direct replacement for 85 Watt reflector
- Slim design, low profile
- Integrated j-box for direct wire installation saves time and materials
- Damp location
- Dimmable*
- Easy install spring clips
- IC rated
- 5 Year warranty



8" DIRECT WIRE EDGE-LIT DOWNLIGHTS



Top view



Item	Description	CCT	Lm	Pack
S11716	18WLED/DW/EL/8/27K/120V	2700K	1300	12
S11717	18WLED/DW/EL/8/30K/120V	3000K	1300	12
S11718	18WLED/DW/EL/8/40K/120V	4000K	1300	12
S11719	18WLED/DW/EL/8/50K/120V	5000K	1300	12
Accessories				
80-948	Goof ring 8" - direct wire DL - 10.125" outside diameter			12
80-953	Rough-in plate/8" direct wire			24

*Consult Satco or visit www.satco.com for an up to date dimmer compatibility list. See warranty for details.

Product sheet SA2606

Specifications

18
WATTS

90
CRI

120
VOLT

* DIMMABLE

DAMP
LOCATION

40,000
HOURS

Certifications

Efficiency Standards
T20
California Title 20
Certified LED
Tier 2 Lamp

Efficiency Standards
T24
California Title 24
Residential and
Non-Residential
Compliant

4" DIRECT WIRE DOWNLIGHTS



Features:

- No recessed can required
- Direct replacement for 45 Watt reflector
- Low profile
- Integrated j-box for direct wire installation saves time and materials
- Damp location
- Dimmable*
- Easy install spring clips
- IC rated
- 5 Year warranty



4" DIRECT WIRE DOWNLIGHTS



Top view



Item	Description	CCT	Lm	Pack
S39011	7WLED/DW/RDL/4/27K/120V	2700K	450	12
S39012	7WLED/DW/RDL/4/30K/120V	3000K	450	12
S39013	7WLED/DW/RDL/4/40K/120V	4000K	490	12
S39021	7WLED/DW/RDL/4/50K/120V	5000K	490	12
Accessories				
80-946	Goof ring 4" - direct wire DL - 6" outside diameter			12
80-950	Rough-in plate/4" direct wire			24

Specifications

7 WATTS

90 CRI

120 VOLT

DIMMABLE

WET LOCATION

40,000 HOURS

Certifications

Efficiency Standards
T24
California Title 24
Residential and
Non-Residential
Compliant

*Consult Satco or visit www.satco.com for an up to date dimmer compatibility list. See warranty for details.

6" DIRECT WIRE DOWNLIGHTS



Features:

- No recessed can required
- Direct replacement for 65 Watt reflector
- Low profile
- Integrated j-box for direct wire installation saves time and materials
- Damp location
- Dimmable*
- Easy install spring clips
- IC rated
- 5 Year warranty



6" DIRECT WIRE DOWNLIGHTS



Top view



Item	Description	CCT	Lm	Pack
S39026	9WLED/DW/RDL/5-6/27K/120V	2700K	620	12
S39027	9WLED/DW/RDL/5-6/30K/120V	3000K	620	12
S39028	9WLED/DW/RDL/5-6/40K/120V	4000K	700	12
S39029	9WLED/DW/RDL/5-6/50K/120V	5000K	700	12
Accessories				
80-947	Goof ring 6" - direct wire DL - 8" outside diameter			12
80-951	Rough-in plate/6" direct wire			24

Specifications

9
WATTS

90
CRI

120
VOLT

40,000
HOURS

Certifications

Efficiency Standards
T24
California Title 24
Residential and
Non-Residential
Compliant

*Consult Satco or visit www.satco.com for an up to date dimmer compatibility list. See warranty for details.

Product sheet SA2594

4" DIRECT WIRE, GIMBAL DOWNLIGHTS



Features:

- No recessed can required
- Direct replacement for 45 Watt reflector
- Low profile
- Integrated j-box for direct wire installation saves time and materials
- Damp location
- Dimmable*
- Easy install spring clips
- IC rated
- 5 Year warranty



4" DIRECT WIRE, GIMBAL DOWNLIGHTS



Top view



Rotates 355°
Adjusts 30°

Item	Description	CCT	Lm	Pack
S11708**	7WLED/DW/GBL/4/27K/120V	2700K	490	12
S11709**	7WLED/DW/GBL/4/30K/120V	3000K	490	12
S11710**	7WLED/DW/GBL/4/40K/120V	4000K	490	12
S11711	7WLED/DW/GBL/4/50K/120V	5000K	490	12
Accessories				
80-946	Goof ring 4" - direct wire DL - 6" outside diameter			12
80-950	Rough-in plate/4" direct wire			24

*Consult Satco or visit www.satco.com for an up to date dimmer compatibility list. See warranty for details.

Product sheet SA2591

Specifications

7 WATTS **90 CRI** **120 VOLT** **DIMMABLE**
DAMP LOCATION **40,000 HOURS**

Certifications

ETL **ENERGY STAR** **Efficiency Standards T20** California Title 20 Certified LED Tier 2 Lamp
**** Efficiency Standards T24** California Title 24 Residential and Non-Residential Compliant

**

6" DIRECT WIRE GIMBAL DOWNLIGHTS



Features:

- No recessed can required
- Direct replacement for 65 Watt reflector
- Low profile
- Integrated j-box for direct wire installation saves time and materials
- Damp location
- Dimmable*
- Easy install spring clips
- IC rated
- 5 Year warranty

6" DIRECT WIRE GIMBAL DOWNLIGHTS

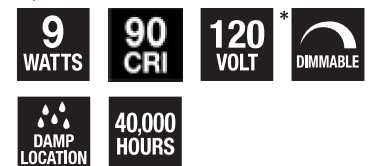


Item	Description	CCT	Lm	Pack
S11712**	9WLED/DW/GBL/6/27K/120V	2700K	720	12
S11713**	9WLED/DW/GBL/6/30K/120V	3000K	720	12
S11714**	9WLED/DW/GBL/6/40K/120V	4000K	720	12
S11715*	9WLED/DW/GBL/6/50K/120V	5000K	720	12
Accessories				
80-947	Goof ring 6" - direct wire DL - 8" outside diameter			12
80-951	Rough-in plate/6" direct wire			24

*Consult Satco or visit www.satco.com for an up to date dimmer compatibility list. See warranty for details.

Product sheet SA2524

Specifications



Certifications



4" DIRECT WIRE BACK-LIT SQUARE DOWNLIGHTS



Features:

- No recessed can required
- Direct replacement for 45 Watt reflector
- Low profile
- Integrated j-box for direct wire installation saves time and materials
- Damp location
- Dimmable*
- Easy install spring clips
- IC rated
- 5 Year warranty



4" DIRECT WIRE BACK-LIT SQUARE DOWNLIGHTS



Top view



Item	Description	CCT	Lm	Pack
S11700**	7WLED/DW/SQ/4/27K/120V	2700K	490	12
S11701**	7WLED/DW/SQ/4/30K/120V	3000K	490	12
S11702**	7WLED/DW/SQ/4/40K/120V	4000K	490	12
S11703	7WLED/DW/SQ/4/50K/120V	5000K	490	12
Accessories				
80-950	Rough-in plate/4" direct wire			24

*Consult Satco or visit www.satco.com for an up to date dimmer compatibility list. See warranty for details.

Product sheet SA2604

Specifications

7 WATTS

90 CRI

120 VOLT

DIMMABLE

WET LOCATION

40,000 HOURS

Certifications

Efficiency Standards
T20
California Title 20
Certified LED
Tier 2 Lamp

****** **Efficiency Standards**
T24 California Title 24
Residential and
Non-Residential
Compliant

6" DIRECT WIRE BACK-LIT SQUARE DOWNLIGHTS



Features:

- No recessed can required
- Direct replacement for 65 Watt reflector
- Low profile
- Integrated j-box for direct wire installation saves time and materials
- Damp location
- Dimmable*
- Easy install spring clips
- CEC/T20/T24 Compliant**
- IC rated
- 5 Year warranty



6" DIRECT WIRE BACK-LIT SQUARE DOWNLIGHTS



Top view



Item	Description	CCT	Lm	Pack
S11704**	9WLED/DW/SQ/6/27K/120V	2700K	720	12
S11705**	9WLED/DW/SQ/6/30K/120V	3000K	720	12
S11706**	9WLED/DW/SQ/6/40K/120V	4000K	720	12
S11707	9WLED/DW/SQ/6/50K/120V	5000K	720	12
Accessories				
80-951	Rough-in plate/6" direct wire			24

*Consult Satco or visit www.satco.com for an up to date dimmer compatibility list. See warranty for details.

Product sheet SA2605

Specifications

9 WATTS

90 CRI

120 VOLT

DIMMABLE

WET LOCATION

40,000 HOURS

Certifications

Efficiency Standards
T20
California Title 20
 Certified LED
 Tier 2 Lamp

** **Efficiency Standards**
T24
California Title 24
 Residential and
 Non-Residential
 Compliant

ROUND LOW PROFILE LED REMOTE DRIVER DOWNLIGHTS

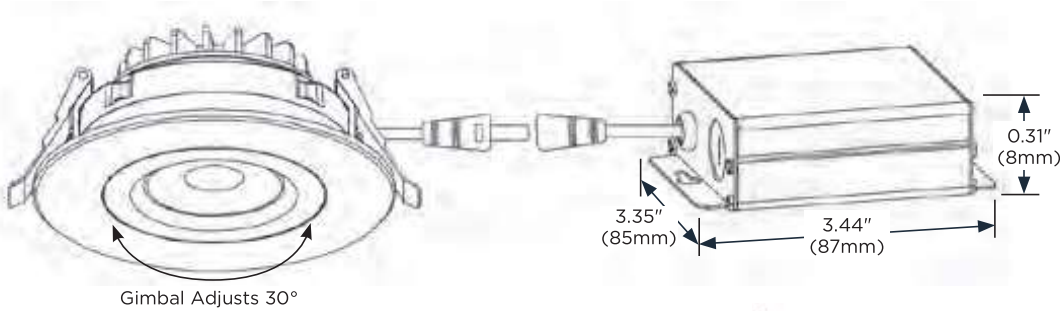


Features:

- No recessed can required
- Integrated j-box for direct wire installation saves time and materials
- Remote Driver, Optional Extension Cable & Rough In Plates
- Wet location
- Easy install spring clips
- IC rated
- Air Tight
- 5 Year warranty



ROUND LOW PROFILE LED REMOTE DRIVER DOWNLIGHTS



Gimbal Adjusts 30°



Goof Ring



Remote Driver
6' Extension Cable



Optional rough-in plate
(shown with bars)
Bars included,
usage optional.

Item	Description	Lm	Pack
4 1/2" Round Gimbal			
S11618	12WLED/DW/GBL/4/930/RND/RD/WHITE	850	12
S11619	12WLED/DW/GBL/4/930/RND/RD/BLACK	850	12
S11620	12WLED/DW/GBL/4/930/RND/RD/BRUSHEDNICKEL	850	12
3 1/2" Round Gimbal			
S11624	12WLED/DW/GBL/3/930/RND/RD/WHITE	840	12
S11625	12WLED/DW/GBL/3/930/RND/RD/BLACK	840	12
S11626	12WLED/DW/GBL/3/930/RND/RD/BRUSHEDNICKEL	840	12
3 1/2" Round Downlight			
S11630	12WLED/DW/DNL3/930/RND/RD/WHITE	840	12
S11631	12WLED/DW/DNL3/930/RND/RD/BLACK	840	12
S11632	12WLED/DW/DNL3/930/RND/RD/BRUSHEDNICKEL	840	12
Accessories			
80-942	Rough-in plate / bars 3.5" Rd		12
80-943	Rough-in plate / bars 4" rd		12
80-944	Rough-in plate / bars 6" rd		12
80-945	Rough-in plate / bars 8" rd		12
80-946	Goof ring 4" - direct wire dl - 6" outside diameter		12
80-947	Goof ring 6" - direct wire dl - 8" outside diameter		12
80-948	Goof ring 8" - direct wire dl - 10 1/8" outside diameter		12
80-949	Remote driver 6' extension cable		12

Specifications



Certifications



*Consult Satco or visit www.satco.com for an up to date dimmer compatibility list. See warranty for details.

SQUARE LOW PROFILE LED REMOTE DRIVER DOWNLIGHTS

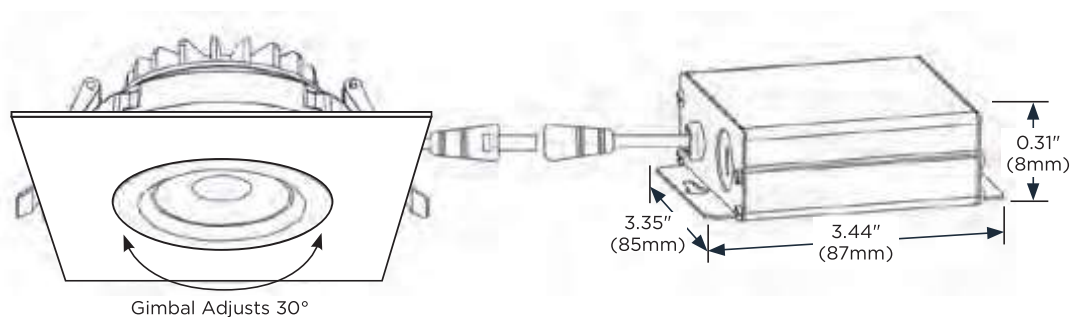


Features:

- No recessed can required
- Integrated j-box for direct wire installation saves time and materials
- Remote Driver, Optional Extension Cable & Rough In Plates
- Wet location
- Easy install spring clips
- IC rated
- Air Tight
- 5 Year warranty



SQUARE LOW PROFILE LED REMOTE DRIVER DOWNLIGHTS



Gimbal Adjusts 30°



Goof Ring



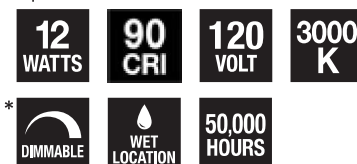
Remote Driver
6' Extension Cable



Optional rough-in plate
(shown with bars)
Bars included,
usage optional.

Item	Description	Lm	Pack
4 1/2" Square Gimbal			
S11621	12WLED/DW/GBL/4/930/SQ/RD/WHITE	850	12
S11622	12WLED/DW/GBL/4/930/SQ/RD/BLACK	850	12
S11623	12WLED/DW/GBL/4/930/SQ/RD/BRUSHEDNICKEL	850	12
3 1/2" Square Gimbal			
S11627	12WLED/DW/GBL/3/930/SQ/RD/WHITE	840	12
S11628	12WLED/DW/GBL/3/930/SQ/RD/BLACK	840	12
S11629	12WLED/DW/GBL/3/930/SQ/RD/BRUSHEDNICKEL	840	12
3 1/2" Square Downlight			
S11633	12WLED/DW/DNL3/930/SQ/RD/WHITE	840	12
S11634	12WLED/DW/DNL3/930/SQ/RD/BLACK	840	12
S11635	12WLED/DW/DNL3/930/SQ/RD/BRUSHEDNICKEL	840	12
Accessories			
80-942	Rough-in plate / bars 3.5" Rd		12
80-943	Rough-in plate / bars 4" rd		12
80-944	Rough-in plate / bars 6" rd		12
80-945	Rough-in plate / bars 8" rd		12
80-949	Remote driver 6' extension cable		12

Specifications



Certifications



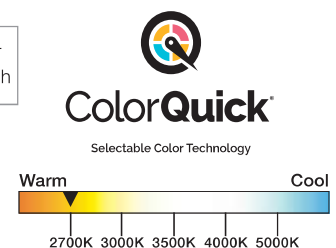
*Consult Satco or visit www.satco.com for an up to date dimmer compatibility list. See warranty for details.

LED CCT SELECTABLE EDGE-LIT REMOTE DRIVER DOWNLIGHTS

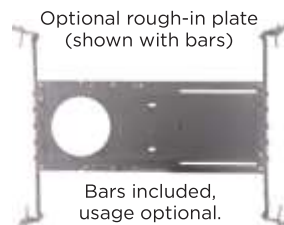
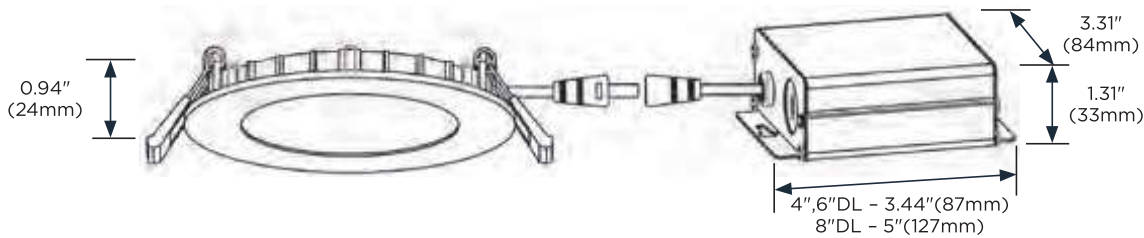
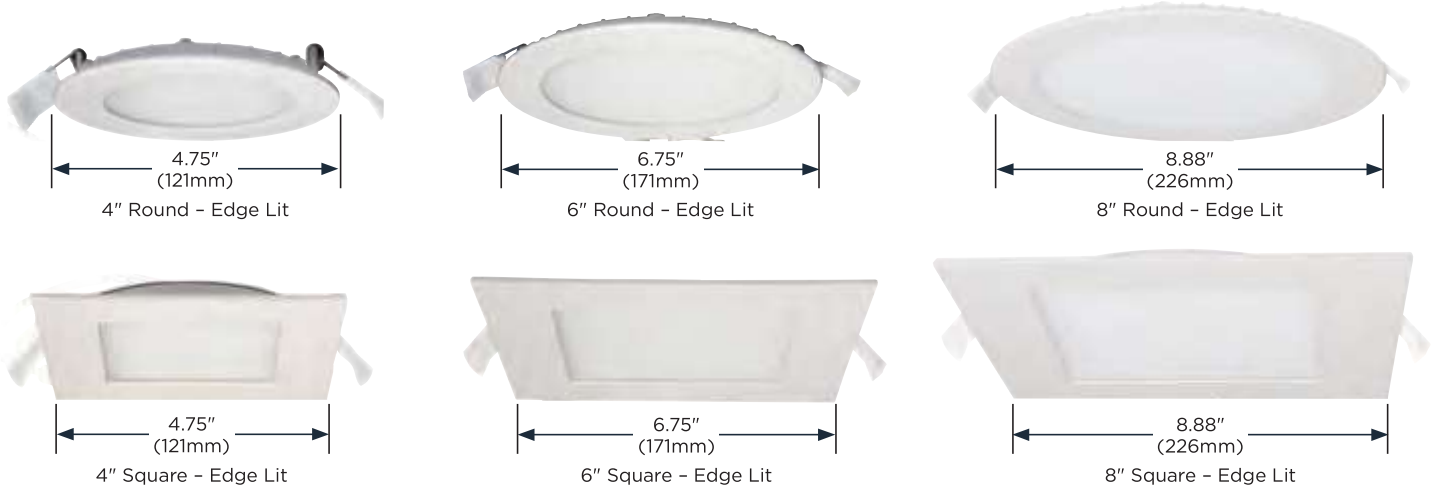


Features:

- 5 CCT Settings - 27K/30K/35K/40K/50K
- <1" Ceiling space required
- No recessed can required
- Remote Driver, Optional Extension Cable & Rough In Plates
- Wet location
- Easy install spring clips
- IC rated
- Air Tight
- 5 Year warranty



LED CCT SELECTABLE EDGE-LIT REMOTE DRIVER DOWNLIGHTS



Item	Description	W	CCT	Lm	Pack
Round					
S11826	10WLED/DW/EL/4/CCT/RND	10	27K/30K/35K/40K/50K	650	12
S11827	12WLED/DW/EL/6/CCTRND	12	27K/30K/35K/40K/50K	900	12
S11828	24WLED/DW/EL/8/CCT/RND	24	27K/30K/35K/40K/50K	1850	12
Square					
S11829	10WLED/DW/EL/4/CCT/SQ	10	27K/30K/35K/40K/50K	600	12
S11830	12WLED/DW/EL/6/CCT/SQ	12	27K/30K/35K/40K/50K	700	12
S11831	24WLED/DW/EL/8/CCT/SQ	24	27K/30K/35K/40K/50K	1650	12
Accessories					
80-943	Rough-in plate / bars 4" rd				12
80-944	Rough-in plate / bars 6" rd				12
80-945	Rough-in plate / bars 8" rd				12
80-946	Goof ring 4" - 6" outside diameter				12
80-947	Goof ring 6" - 8" outside diameter				12
80-948	Goof ring 8" - 10.88" outside diameter				12
80-949	Remote driver 6' extension cable				12
86-216	Remote driver temporary light				12

Specifications



Certifications



*Consult Satco or visit www.satco.com for an up to date dimmer compatibility list.
See warranty for details.

WATTAGE AND CCT SELECTABLE REMOTE DRIVER COMMERCIAL DOWNLIGHTS



White reflector
80° beam angle



Silver reflector
40° beam angle

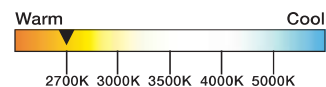
Features:

- Selectable Wattage and CCT
- Remote driver and J box with knockouts
- Quick connect feature for easy installation
- 120-277 range voltage circuit
- 0-10V dimming
- Damp location
- 5 Year warranty



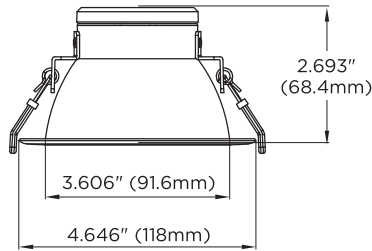
ColorQuick

Selectable Color Technology

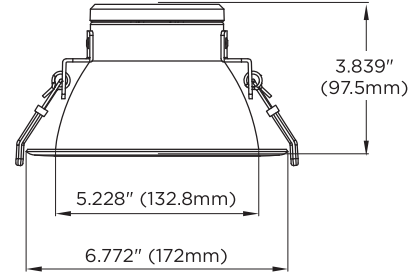


WATTAGE AND CCT SELECTABLE REMOTE DRIVER COMMERCIAL DOWNLIGHTS

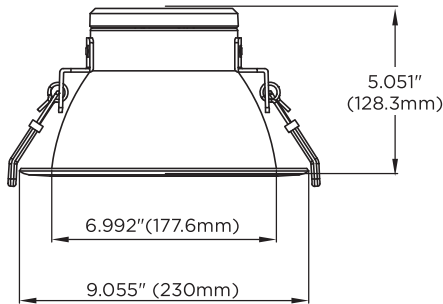
4 inch LED Commercial Downlight



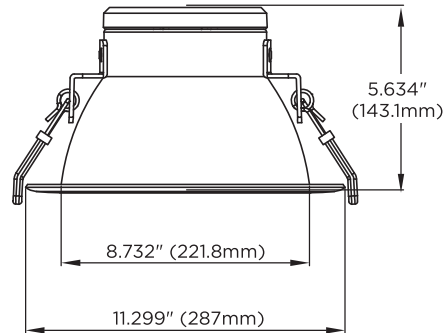
6 inch LED Commercial Downlight



8 inch LED Commercial Downlight



10 inch LED Commercial Downlight



Optional rough-in plate



Goof Ring

Item	Description	W	CCT	Lm	Pack
S11810	14.5WLED/CDL/4/ADJ-CCT/80D	8.5/11/14.5	27K/30K/35K/40K/50K	600/800/1020	12
S11811	23WLED/CDL/6/ADJ-CCT/80D	11/16/23	27K/30K/35K/40K/50K	900/1200/1750	12
S11812	32WLED/CDL/8/ADJ-CCT/80D	19/26/32	27K/30K/35K/40K/50K	1600/2000/2450	12
S11813	46WLED/CDL/10/ADJ-CCT/80D	33/40/46	27K/30K/35K/40K/50K	2500/3000/3500	12
S11814	14.5WLED/CDL/4/ADJ-CCT/40D	8.5/11/14.5	27K/30K/35K/40K/50K	600/800/1020	12
S11815	23WLED/CDL/6/ADJ-CCT/40D	11/16/23	27K/30K/35K/40K/50K	900/1200/1750	12
S11816	32WLED/CDL/8/ADJ-CCT/40D	19/26/32	27K/30K/35K/40K/50K	1600/2000/2450	12
S11817	46WLED/CDL/10/ADJ-CCT/40D	33/40/46	27K/30K/35K/40K/50K	2500/3000/3500	12
Accessories					
80-946	Goof ring 4" - 6" outside diameter				12
80-947	Goof ring 6" - 8" outside diameter				12
80-948	Goof ring 8" - 10.88" outside diameter				12
80-949	Remote driver 6' extension cable				12
80-970	Goof ring 10" - 13.25" outside diameter				12
80-959	Rough-in plate/CDL 4/6/8/10				12
S8003	6W LED/CDL EM Driver				12

*Consult Satco or visit www.satco.com for an up to date dimmer compatibility list. See warranty for details.

Product sheet SA2652

Specifications



Certifications



COMMERCIAL DOWNLIGHT EMERGENCY BATTERY BACKUP DRIVER



Features:

- 6 Watts / up to 515 lumens in EM mode
- Led test switch and indicator light included
- Output and over-power protection
- 90 Minute battery run time
- Recharge 24 hours max.
- Long life, high temperature, recyclable lithium ion battery

Compatible with
Satco 4", 6", 8" and
10" Commercial
LED Downlights



COMMERCIAL DOWNLIGHT EMERGENCY BATTERY BACKUP DRIVER

Technical Description/Operation:

The Satco S8003 is a UL Listed emergency driver that allows the same LED fixture to be used for both normal and emergency operation. In the event of a power failure, it switches to the emergency mode and operates the existing for 90 minutes. The unit contains a battery, charger, and converter circuit in a single can and is available in different mounting configurations for use with the Satco LED Commercial Downlight series. The continual power design maintains the output wattage to the LED light sources resulting in non-diminishing brightness for the entire runtime.

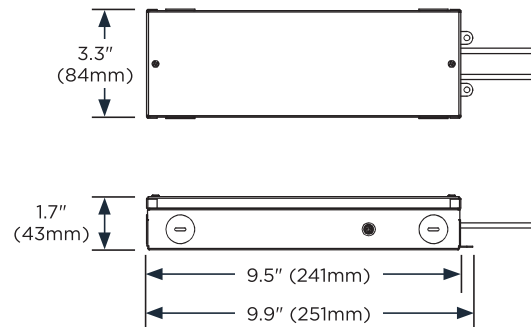


CAUTION: REPLACE BATTERY ONLY WITH YHBAL2-3.3

Specifications:

- Input voltage: 120-277VAC, 50/60Hz
- Output voltage: 20-50VDC
- Output power: 6 Watts
- Power factor: > 0.5
- Emergency operation: 90 Minutes
- Operating temperature: 32° (0°C) to 140° F (60°C)
- Meets UL 924 for Emergency Lighting

Dimensions



S8003 Lumen output in EM mode (90 min.)

Item	Size	Beam	Lumen Output
S11810	4"	80°	480
S11811	6"	80°	485
S11812	8"	80°	490
S11813	10"	80°	515
S11814	4"	40°	470
S11815	6"	40°	480
S11816	8"	40°	480
S11817	10"	40°	485



S8003 Emergency battery backup mounts directly to the 80-959 available rough-in plate.

Item	Description	W	V	Pack
S8003	Comm. Downlight EM BU	6	100-277	20
Accessories				
80-959	Rough-in plate/CDL 4/6/8/10			12

See warranty for details.

Product sheet SA2410

Certifications

