

## 7" AND 10" DISK



### Features:

Complies with NEC 410.16 (A)(3) and  
NEC 410.16 (C)(5)

Mounts to 3" & 4" junction boxes -  
includes cross bar

Durable white lens (PMMA)

5 Year warranty



10" Brushed Nickel

# 7" AND 10" DISK



10" White



7" White



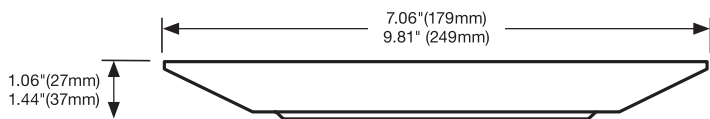
7" Brushed Nickel



10" Mahogany Bronze



7" Mahogany Bronze



Item	Description	W	CCT	Lm	Pack
62-1161	7" Disk White	10.5	3000K	578	12
62-1162	7" Disk Brushed Nickel	10.5	3000K	578	12
62-1163	7" Disk Mahogany Bronze	10.5	3000K	578	12
62-1164	7" Disk White	10.5	4000K	610	12
62-1165	10" Disk White	12	3000K	700	12
62-1166	10" Disk Brushed Nickel	12	3000K	700	12
62-1167	10" Disk Mahogany Bronze	12	3000K	700	12
62-1168	10" Disk White	12	4000K	760	12

\*Consult Satco or visit [www.satco.com](http://www.satco.com) for an up to date dimmer compatibility list. See warranty for details.

Product sheet NU1447

## Specifications



## Certifications



## 7" AND 10" HIGH LUMEN DISK



### Features:

Occupancy Sensor models  
comply with NEC 410.16 (A)(3)  
and NEC 410.16 (C)(5)

Mounts to 3" & 4" junction boxes -  
includes crossbar

Durable white lens (PMMA)

5 Year warranty



10" Mahogany Bronze

# 7" AND 10" HIGH LUMEN DISK



10" White



7" White with Occupancy Sensor



10" Brushed Nickel

## Occupancy sensor operation



There are 3 sensor settings on the side. Use a flat screwdriver to adjust.



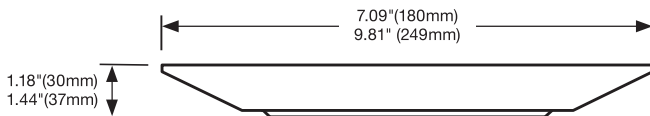
① **Area** Sensor activation area can be set for a diameter of 0ft to a maximum of 20 ft



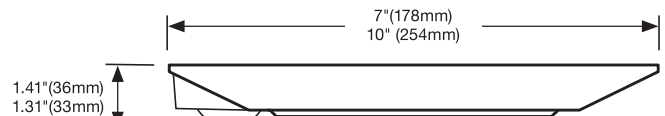
② **0% - 30%** The fixture can be set at default brightness of 0 (not lit in OFF condition) or 30% (maintain 30% of full output in OFF condition)



③ **Time** Time options from 0 to 5 minutes for ON time after activation



High Lumen Disk



High Lumen Disk with Sensor

Item	Description	W	CCT	Lm	Pack
62-1261R1†	7" High lumen disk White	15	3000K	1000	12
62-1262R1†	7" High lumen disk Brushed Nickel	15	3000K	1000	12
62-1263R1†	7" High lumen disk Mahogany Bronze	15	3000K	1000	12
62-1264R1†	7" High lumen disk White	15	4000K	1050	12
62-1265††	10" High lumen disk White	21.5	3000K	1200	12
62-1266††	10" High lumen disk Brushed Nickel	21.5	3000K	1200	12
62-1267††	10" High lumen disk Mahogany Bronze	21.5	3000K	1200	12
62-1268††	10" High lumen disk White	21.5	4000K	1260	12
<b>With Occupancy Sensor</b>					
62-1310††	7" High lumen disk White w/sensor	16.5	3000K	1000	12
62-1312††	7" High lumen disk White w/sensor	16.5	4000K	1050	12
62-1311††	10" High lumen disk White w/sensor	21.5	3000K	1200	12
62-1313††	10" High lumen disk White w/sensor	21.5	4000K	1260	12

## Specifications



## Certifications



\*Consult Satco or visit [www.satco.com](http://www.satco.com) for an up to date dimmer compatibility list. See warranty for details.



# CLOUD FLUSH CCT SELECTABLE



## Features:

- CCT Selectable - 3000K/4000K/5000K
- Versions with and without occupancy sensors
- Complies with NEC 410.16 (A)(3) & NEC 410.16(C)(5)
- Durable white cover (PMMA)
- 5 Year warranty



14" Round



**ColorQuick™**

Selectable Color Technology

Switch to/from the following CCT



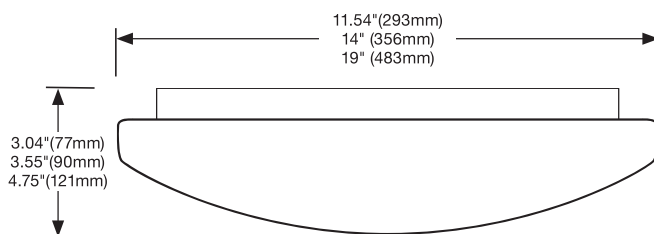
# CLOUD FLUSH CCT SELECTABLE



11" Round



19" Round



Item	Description	W	CCT	Lm	Pack
62-1210*	11" flush mount	16	3000K/4000K/5000K	1067L - 1132L	6
62-1211	11" flush mount w/ occ. sensor	16.5	3000K/4000K/5000K	1067L - 1132L	6
62-1212*	14" flush mount	20	3000K/4000K/5000K	1307L - 1414L	4
62-1213	14" flush mount w/ occ. sensor	20.5	3000K/4000K/5000K	1307L - 1414L	4
62-1218*	19" flush mount	32	3000K/4000K/5000K	2617L-2868L	2
62-1219	19" flush mount w/ occ. sensor	32.5	3000K/4000K/5000K	2617L-2868L	2

\*Non-sensor versions. Consult Satco or visit [www.satco.com](http://www.satco.com) for an up to date dimmer compatibility list. See warranty for details.

Product sheet NU576

## Specifications



## Certifications



# CLOUD FLUSH 120-277V



## Features:

- | Dimmable (120V only)\*
- | Durable white cover (PMMA)

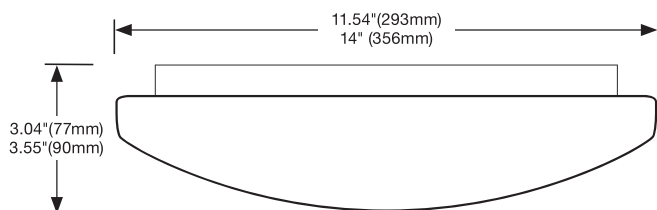


14" Round

# CLOUD FLUSH 120-277V



11" Round



Item	Description	W	CCT	Lm	Pack
62-795R1	11" flush mount	12.5	3000K	891	6
62-796R1	14" flush mount	16.5	3000K	1120	4

\*Consult Satco or visit [www.satco.com](http://www.satco.com) for an up to date dimmer compatibility list. See warranty for details.

Product sheet NU1280

## Specifications

**90  
CRI**

**120-  
277V**

**DIMMABLE  
120V**

**DAMP  
LOCATION**

**40,000  
HOURS**

## Certifications

**ETL**

**ENERGY STAR**

# CLOUD FLUSH 120-277V 0-10V DIMMING



## Features:

- | Durable white cover (PMMA)
- | 5 Year warranty



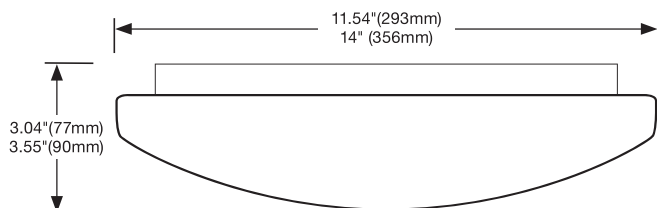
14" Round

# CLOUD FLUSH

## 120-277V 0-10V DIMMING



11" Round



Item	Description	W	CCT	Lm	Pack
62-791R1	11" flush mount	12.5	3000K	875	6
62-792R1	14" flush mount	16.5	3000K	1245	4

\*Consult Satco or visit [www.satco.com](http://www.satco.com) for an up to date dimmer compatibility list. See warranty for details.

Product sheet NU576

### Specifications

**90  
CRI**

**120-  
277V**

**0-10V  
DIMMING**

**DAMP  
LOCATION**

**50,000  
HOURS**

### Certifications

**ETL**

**ENERGY STAR**



# CLOUD FLUSH VACANCY OR OCCUPANCY SENSORS



## 62-797 14" Occupancy Sensor Features:

- Occupancy Sensor-provides automatic ON/OFF switching
- 14" Flush mount fixture
- Durable white cover (PMMA)

## 62-798 14" Vacancy Sensor Features:

- 24/7 Sensor step-down operation: Unoccupied, 50% light / occupied, 100% light (Always on)
- 14" Flush mount fixture
- Durable white cover (PMMA)

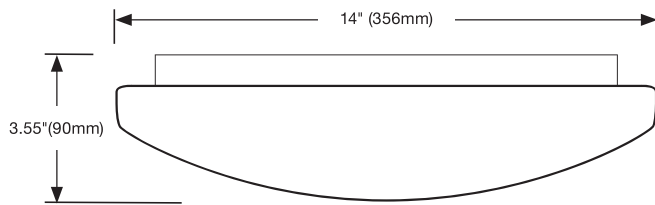


14" Round

# CLOUD FLUSH VACANCY OR OCCUPANCY SENSORS



14" Round



Item	Description	Pack
62-797	14" Flush Mount w/sensor	6
62-798	14" Flush Mount w/step down sensor	4

See warranty for details.

Product sheet NU1292

## Specifications

**90 CRI**
**120-277V**
**16.5 WATTS**
**960 LUMENS**

**DIMMABLE 120V**
**DAMP LOCATION**
**40,000 HOURS**

## Certifications



# CLOUD FLUSH WITH OR WITHOUT OCCUPANCY SENSOR



## Features:

- Versions with and without occupancy sensors
- Complies with NEC 410.16 (A)(3) & NEC 410.16(C)(5)
- Durable white cover (PMMA)
- 5 Year warranty



14" Square

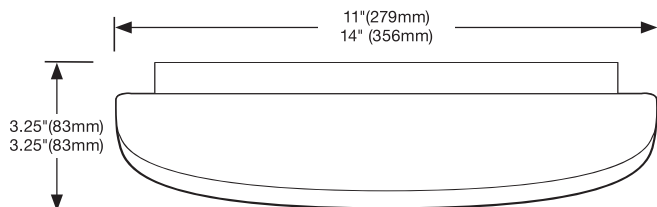
# CLOUD FLUSH WITH OR WITHOUT OCCUPANCY SENSOR



11" Square

## Occupancy Sensor Specifications

- Input current:  $\geq 25\text{mA}$
- 8 pin DIP switch setting, multiple options to meet different customer demands
- Detection range up to 10m in diameter
- Mounting height: 3-6m
- RoHs compliant



Item	Description	W	CCT	Lm	Pack
62-1095*	11" flush mount	16	3000K	990	6
62-1096*	14" flush mount	20	3000K	1230	4
62-1097	11" flush mount w/ occ. sensor	16.5	3000K	990	6
62-1098	14" flush mount w/ occ. sensor	20.5	3000K	1230	4

\*Non-sensor versions. Consult Satco or visit [www.satco.com](http://www.satco.com) for an up to date dimmer compatibility list. Product sheet NU1461 See warranty for details.

## Specifications

**90  
CRI**

**120  
VOLT**

**DIMMABLE**

**DAMP  
LOCATION**

**50,000  
HOURS**

## Certifications



# GLAMOUR SURFACE MOUNT CCT SELECTABLE



## Features:

- CCT Selectable - 3000K/4000K/5000K
- Durable white cover (PMMA)
- Available in Brushed Nickel or Black
- 5 Year warranty



32" Brushed Nickel (Oval)



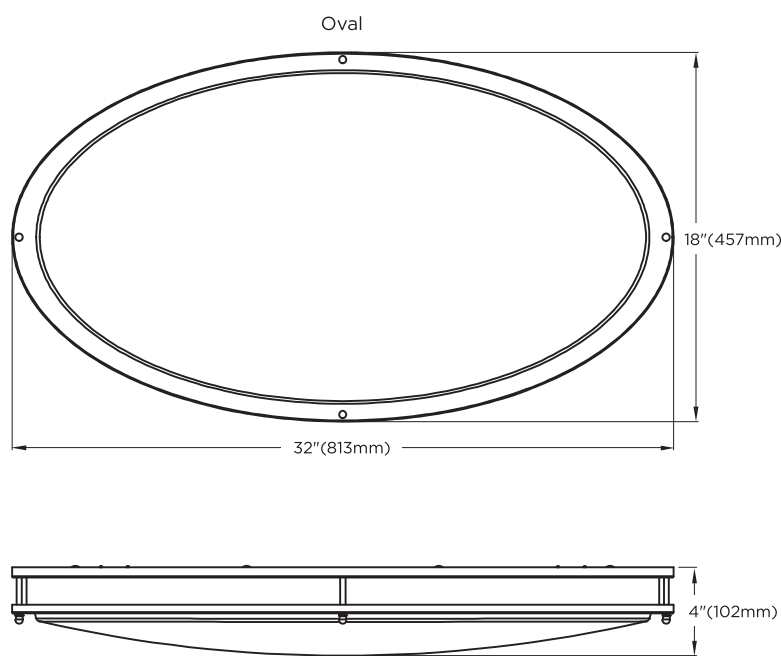
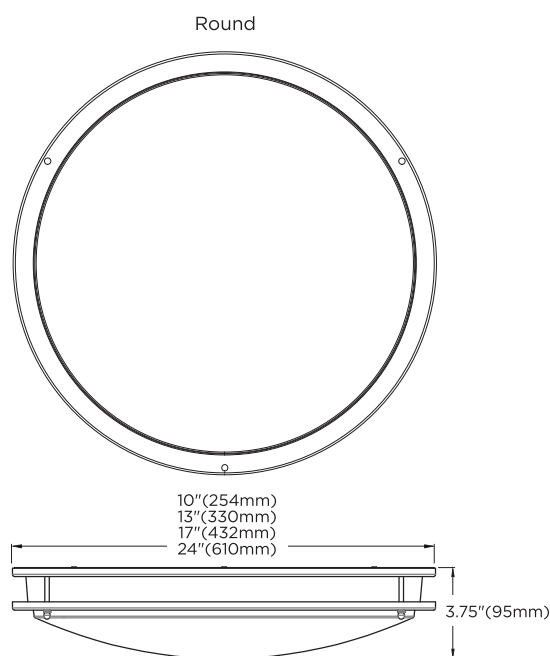
**ColorQuick™**

Selectable Color Technology

Switch to/from the following CCT



# GLAMOUR SURFACE MOUNT CCT SELECTABLE



Item	Description	CCT	W	Lm	Pack
62-1635	10" Round - Brushed Nickel	3000K/4000K/5000K	18	1440-1530	6
62-1636	13" Round - Brushed Nickel	3000K/4000K/5000K	25	2000-2125	6
62-1637	17" Round - Brushed Nickel	3000K/4000K/5000K	25	2000-2125	4
62-1638	24" Round - Brushed Nickel	3000K/4000K/5000K	39	3000-3150	2
62-1641	32" Oval - Brushed Nickel	3000K/4000K/5000K	52	4160-4420	1
62-1735	10" Round - Black	3000K/4000K/5000K	18	1440-1530	6
62-1736	13" Round - Black	3000K/4000K/5000K	25	2000-2125	6
62-1737	17" Round - Black	3000K/4000K/5000K	25	2000-2125	4
62-1738	24" Round - Black	3000K/4000K/5000K	39	3000-3150	2
62-1741	32" Oval - Black	3000K/4000K/5000K	52	4160-4420	1

## Specifications



## Certifications



\*Consult Satco or visit [www.satco.com](http://www.satco.com) for an up to date dimmer compatibility list. See warranty for details.

Product sheet NUI558



# GLAMOUR LINEAR CCT SELECTABLE



## Features:

- CCT Selectable - 3000K/4000K/5000K
- Durable white cover (PMMA)
- Available in Brushed Nickel or Black
- 5 Year warranty



50" Black



**ColorQuick™**

Selectable Color Technology

Switch to/from the following CCT



# GLAMOUR LINEAR CCT SELECTABLE



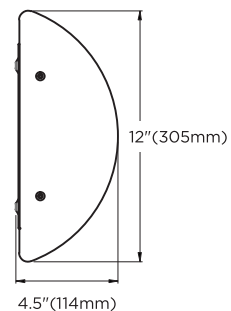
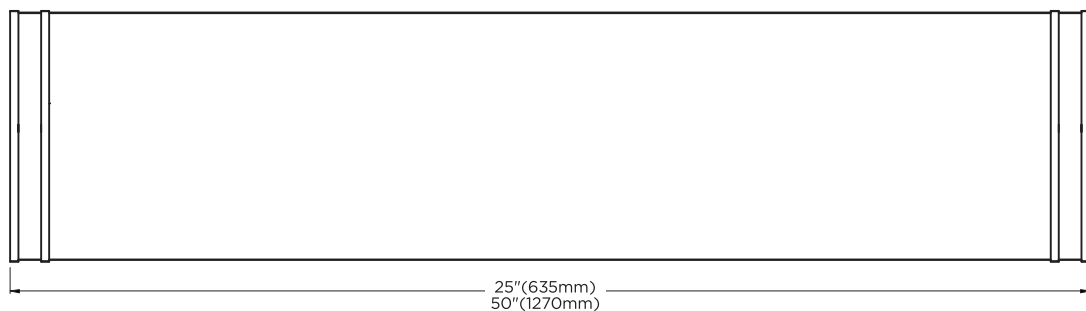
25" Black



25" Brushed Nickel



50" Brushed Nickel



Item	Description	CCT	W	Lm	Pack
62-1639	25" Linear - Brushed Nickel	3000K/4000K/5000K	26	2000-2100	3
62-1640	50" Linear - Brushed Nickel	3000K/4000K/5000K	52	4160-4420	1
62-1739	25" Linear - Black	3000K/4000K/5000K	26	2000-2100	3
62-1740	50" Linear - Black	3000K/4000K/5000K	52	4160-4420	1

\*Consult Satco or visit [www.satco.com](http://www.satco.com) for an up to date dimmer compatibility list. See warranty for details.

Product sheet NU1372

## Specifications



## Certifications



# GLAMOUR & CRISPO WALL CCT SELECTABLE



## Features:

- CCT Selectable - 3000K/4000K/5000K
- Durable white cover (PMMA)
- Glamour available in Brushed Nickel, or Black
- Crispo available in White
- 5 Year warranty



Glamour in  
Black



**ColorQuick™**

Selectable Color Technology

Switch to/from the following CCT



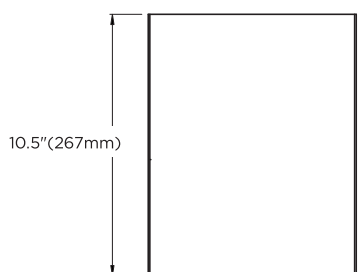
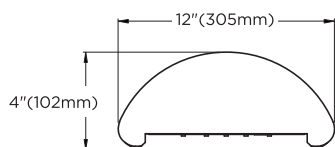
# GLAMOUR & CRISPO WALL CCT SELECTABLE



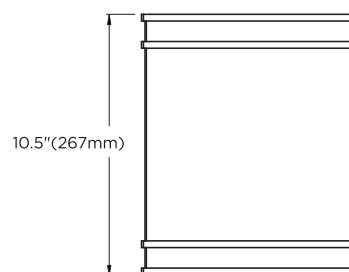
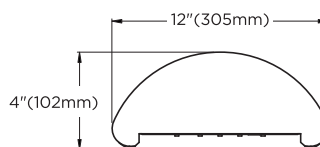
Crispo in White



Glamour in  
Brushed Nickel



Crispo



Glamour

Item	Description	CCT Selectable	Lm	Pack
62-1645	Glamour Wall Sconce - Brushed Nickel	3000K/4000K/5000K	800-850	1
62-1745	Glamour Wall Sconce - Black	3000K/4000K/5000K	800-850	1
62-1646	Crispo Wall Sconce - White	3000K/4000K/5000K	800-850	1

\*Consult Satco or visit [www.satco.com](http://www.satco.com) for an up to date dimmer compatibility list. See warranty for details.

Product sheet NU1369

## Specifications



## Certifications

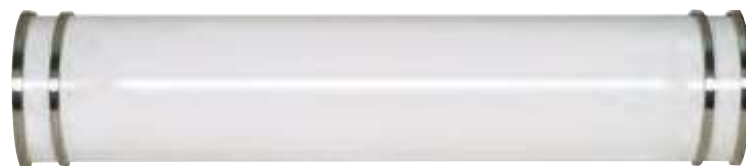


# GLAMOUR & CRISPO VANITY CCT SELECTABLE



## Features:

- CCT Selectable - 3000K/4000K/5000K
- Durable white cover (PMMA)
- ADA compliant
- Glamour available in Brushed Nickel, or Black
- Crispo available in White
- 5 Year warranty



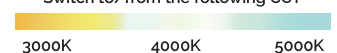
Glamour 25" Brushed Nickel



**ColorQuick™**

Selectable Color Technology

Switch to/from the following CCT



# GLAMOUR & CRISPO VANITY CCT SELECTABLE



Glamour 49" Black



Glamour 25" Black



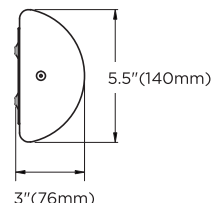
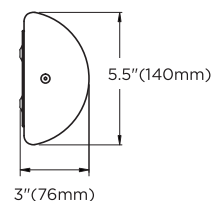
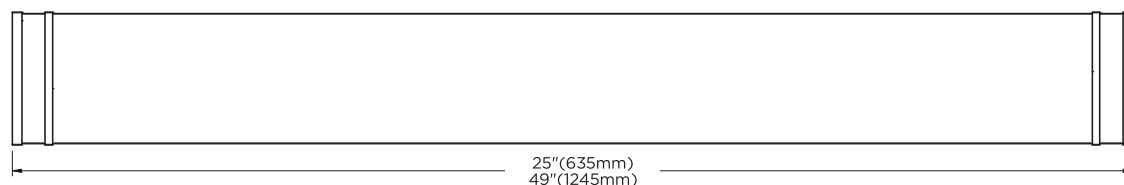
Glamour 49" Brushed Nickel



Crispo 25"



Crispo 49"



Item	Description	W	CCT	Lm	Pack
62-1631	25" Glamour Vanity - Brushed Nickel	26	3000K/4000K/5000K	2000-2100	6
62-1632	49" Glamour Vanity - Brushed Nickel	52	3000K/4000K/5000K	4160-4420	4
62-1731	25" Glamour Vanity - Black	26	3000K/4000K/5000K	2000-2100	6
62-1732	49" Glamour Vanity - Black	52	3000K/4000K/5000K	4160-4420	4
62-1633	25" Crispo Vanity - White	26	3000K/4000K/5000K	2000-2100	6
62-1634	49" Crispo Vanity - White	52	3000K/4000K/5000K	4160-4420	4

\*Consult Satco or visit [www.satco.com](http://www.satco.com) for an up to date dimmer compatibility list. See warranty for details.

Product sheet NU1367

## Specifications



## Certifications





# LINK



## Features:

- ADA compliant wall sconces
- Brushed Nickel Finish with Satin White Glass
- 3 Year warranty



Double Tube Wall Sconce  
(horizontal mount)

# LINK



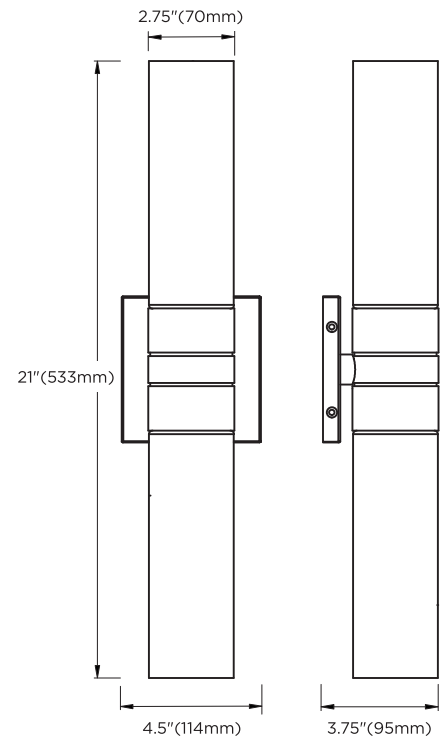
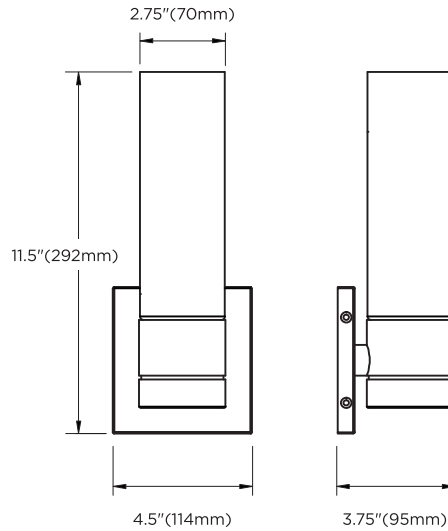
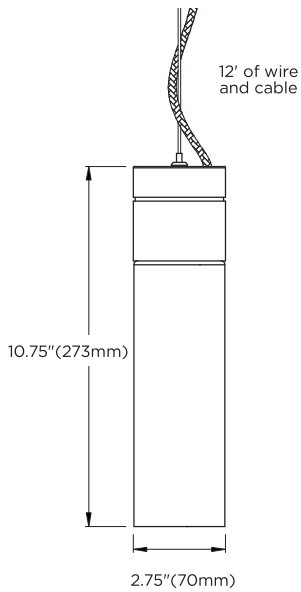
Single Tube Pendant



Single Tube Wall Sconce



Double Tube Wall Sconce  
(vertical mount)



Item	Description	W	Lm	Pack
62-2936	Double Tube Wall Sconce - Brushed Nickel	24	1640	1
62-2934	Single Tube Wall Sconce - Brushed Nickel	12	820	1
62-2932	Single Tube Pendant - Brushed Nickel	12	820	1

#### Accessories

25-4091	36" 3 Light Mounting Plate - Brushed Nickel			1
---------	---	--	--	---

\*Consult Satco or visit [www.satco.com](http://www.satco.com) for an up to date dimmer compatibility list. See warranty for details.

Product sheet NU1435

#### Specifications



#### Certifications



# BUTTON ROUND FLUSH



## Features:

- Available in Brushed Nickel or Black with Satin White glass
- 3 Year warranty



17" Brushed Nickel

# BUTTON ROUND FLUSH



11" Black



11" Brushed Nickel



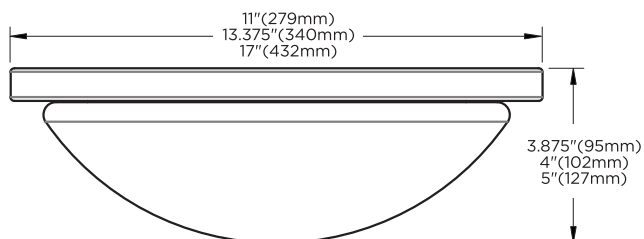
13" Black



13" Brushed Nickel



17" Black

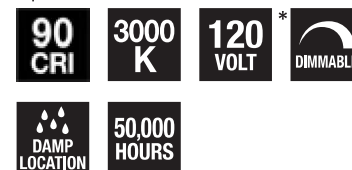


Item	Description	W	Lm	Pack
62-1042	11" - Brushed Nickel	18	1440	4
62-1043	13" - Brushed Nickel	18	1440	3
62-1044	17" - Brushed Nickel	25	2000	3
62-1442	11" - Black	18	1440	4
62-1443	13" - Black	18	1440	3
62-1444	17" - Black	25	2000	3

\*Consult Satco or visit [www.satco.com](http://www.satco.com) for an up to date dimmer compatibility list. See warranty for details.

Product sheet NU1371

## Specifications



## Certifications



# PI ROUND FLUSH



## Features:

- Available in Brushed Nickel or Black
- with Etched glass
- 3 Year warranty



14" Brushed Nickel

# PI ROUND FLUSH



14" Black



11" Brushed Nickel



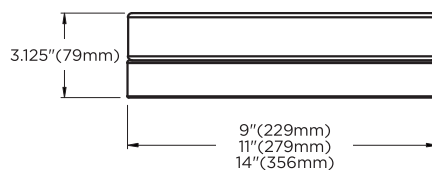
11" Black



9" Brushed Nickel



9" Black



Item	Description	W	Lm	Pack
62-458	9" - Brushed Nickel	15	1275	4
62-459	11" - Brushed Nickel	25	2125	3
62-460	14" - Brushed Nickel	25	2125	3
62-468	9" - Black	15	1275	4
62-469	11" - Black	25	2125	3
62-470	14" - Black	25	2125	3

\*Consult Satco or visit [www.satco.com](http://www.satco.com) for an up to date dimmer compatibility list. See warranty for details.

Product sheet NU1544

## Specifications

**90**  
CRI
**3000**  
K
**120**  
VOLT
**DIMMABLE**

**DAMP**  
LOCATION
**50,000**  
HOURS

## Certifications

**EUL**
**FC**



## TWIST AND LOCK FLUSH



### Features:

120V - 277V

Dimmable (120V only)

Available in Brushed Nickel or  
Mahogany Bronze with Frosted  
Twist and Lock glass

5 Year warranty



14" Brushed Nickel

# TWIST AND LOCK FLUSH



12" Brushed Nickel



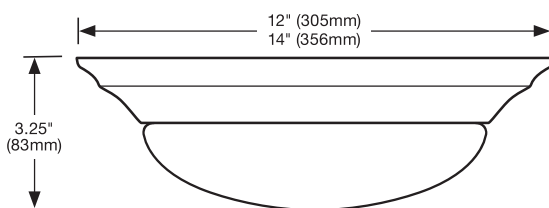
LED Module



12" Mahogany Bronze



14" Mahogany Bronze



Item	Description	W	Lm	Pack
62-786	12" - Brushed Nickel	18	1080	4
62-787	12" - Mahogany Bronze	18	1080	4
62-788	14" - Brushed Nickel	24	1440	4
62-789	14" - Mahogany Bronze	24	1440	4

\*Consult Satco or visit [www.satco.com](http://www.satco.com) for an up to date dimmer compatibility list. See warranty for details.

Product sheet NU1308

## Specifications

## Certifications

## 11" AND 13" FLUSH



### Features:

- Available in Brushed Nickel or Mahogany Bronze with Frosted glass
- 5 Year warranty



13" Brushed Nickel

# 11" AND 13" FLUSH



11" Mahogany Bronze



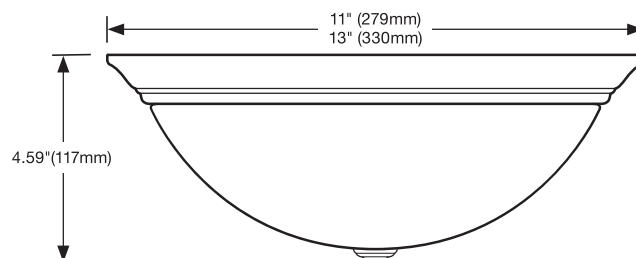
11" Brushed Nickel



13" Mahogany Bronze



LED Module



Item	Description	W	Lm	Pack
62-1340	11" Flush Mount - Brushed Nickel	16.5	1000	4
62-1341	13" Flush Mount - Brushed Nickel	23.5	1400	4
62-1342	11" Flush Mount - Mahogany Bronze	16.5	1000	4
62-1343	13" Flush Mount - Mahogany Bronze	23.5	1400	4

\*Consult Satco or visit [www.satco.com](http://www.satco.com) for an up to date dimmer compatibility list. See warranty for details.

Product sheet NU1555

### Specifications

**90 CRI**    **3000 K**    **120 VOLT**    **DIMMABLE**  
**DAMP LOCATION**    **50,000 HOURS**

### Certifications

**ETL**    **ENERGY STAR**    **FC**

**Efficiency Standards**  
**T24** California Title 24  
 Residential and  
 Non-Residential  
 Compliant

## INDOOR/OUTDOOR



### Features:

- Rugged construction
- Die-cast aluminum body
- UV stabilized powder coated finish
- White or Black finish
- with Frosted glass
- 5 Year warranty



Oval Bulkhead White

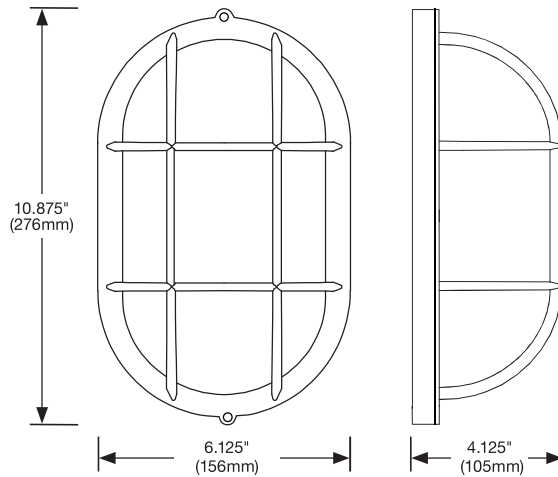
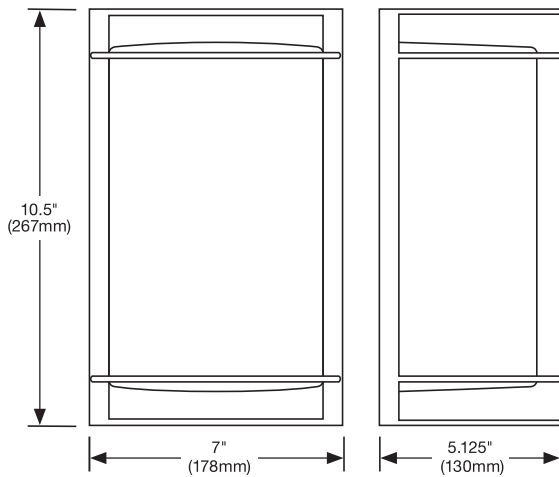
# INDOOR/OUTDOOR



Rectangular Bulkhead Black



Oval Bulkhead Black



Item	Description	W	Lm	Pack
62-1410	Oval Bulkhead / White / Frosted Glass	18.5	1200	6
62-1411	Oval Bulkhead / Black / Frosted Glass	18.5	1110	6
62-1413	Rectangular Bulkhead / White / Frosted Glass	18.5	1110	6
62-1414	Rectangular Bulkhead / Black / Frosted Glass	18.5	1110	6

\*Consult Satco or visit [www.satco.com](http://www.satco.com) for an up to date dimmer compatibility list. See warranty for details.

Product sheet NU1545

## Specifications



## Certifications





## INDOOR/OUTDOOR



### Features:

- Rugged construction
- Die-cast aluminum body
- UV stabilized powder coated finish
- White or Black finish
- 5 Year warranty



Spider Cage White



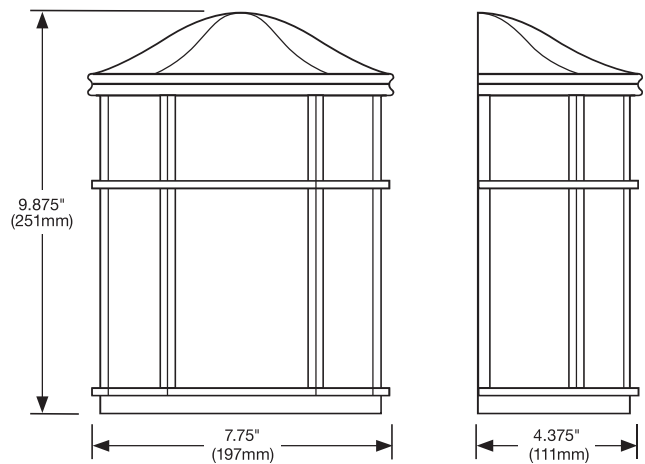
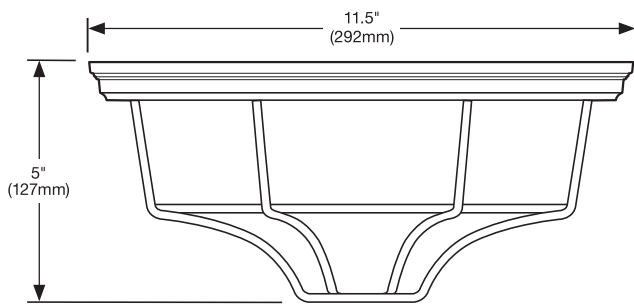
# INDOOR/OUTDOOR



Spider Cage Black



Cage Lantern Black



Item	Description	W	Lm	Pack
62-1416	Cage Lantern / White / Frosted Acrylic	13.5	820	6
62-1417	Cage Lantern / Black / Frosted Acrylic	13.5	745	6
62-1419	Spider Cage / White / Frosted Glass	18.5	1110	4
62-1420	Spider Cage / Black / Frosted Glass	18.5	1110	4

\*Consult Satco or visit [www.satco.com](http://www.satco.com) for an up to date dimmer compatibility list. See warranty for details.

Product sheet NU1545

## Specifications

**90 CRI**    **3000 K**    **120 VOLT**    **DIMMABLE**

**WET LOCATION**    **50,000 HOURS**

## Certifications

**Efficiency Standards**  
**T24** California Title 24  
 Residential and  
 Non-Residential  
 Compliant

# BLINK® LUXE SURFACE MOUNT



## Features:

- Sleek design - Only 1" deep
- Dimmable\*, 120V only
- Damp location
- 90 CRI
- 3000K
- ENERGY STAR
- T24 Compliant
- 50,000 Hours
- 5 Year limited warranty



# BLINK® LUXE SURFACE MOUNT



13" Square, White



17" Round Brushed Nickel



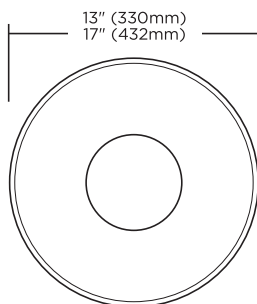
13" Round, Black



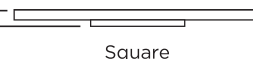
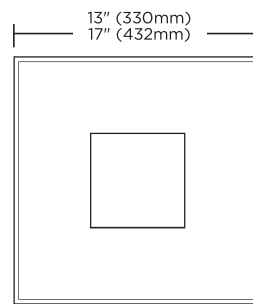
17" Square Polished Nickel



Remove decorative center cap for easy mounting to 3" or 4" J boxes



Round



Square

Item	Description	W	Lm	Pack
62-1515	13" Round - White	26	1600	6
62-1516	13" Round - Black	26	1600	6
62-1517	13" Round - Polished Nickel	26	1600	6
62-1518	13" Round - Brushed Nickel	26	1600	6
62-1519	13" Square - White	26	1600	6
62-1520	13" Square - Black	26	1600	6
62-1521	13" Square - Polished Nickel	26	1600	6
62-1522	13" Square - Brushed Nickel	26	1600	6
62-1523	17" Round - White	31.5	2200	4
62-1524	17" Round - Black	31.5	2200	4
62-1525	17" Round - Polished Nickel	31.5	2200	4
62-1526	17" Round - Brushed Nickel	31.5	2200	4
62-1527	17" Square - White	31.5	2200	4
62-1528	17" Square - Black	31.5	2200	4
62-1529	17" Square - Polished Nickel	31.5	2200	4
62-1530	17" Square - Brushed Nickel	31.5	2200	4

\*Consult Satco or visit [www.satco.com](http://www.satco.com) for an up to date dimmer compatibility list. See warranty for details.

Product sheet NU1611

## Specifications

## Certifications

# BLINK PLUS SURFACE MOUNT



## Features:

\*Complies with NEC 410.16 (A)(3)  
and NEC 410.16 (C)(5)

\*Dimmable, 120V only  
Ultra-low profile 1" deep  
made for j-box installs

Unique quick-lock  
mounting bracket

Mounts directly to 3"  
and 4" junction boxes

White finish

100-277V, 50/60Hz

5 Year limited warranty

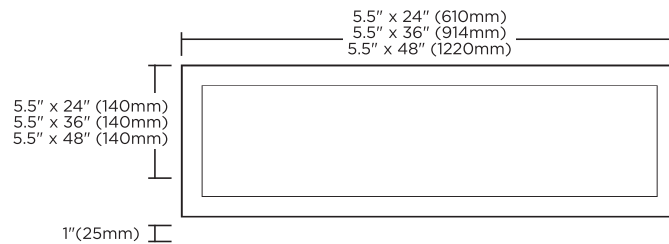
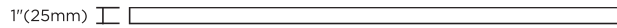
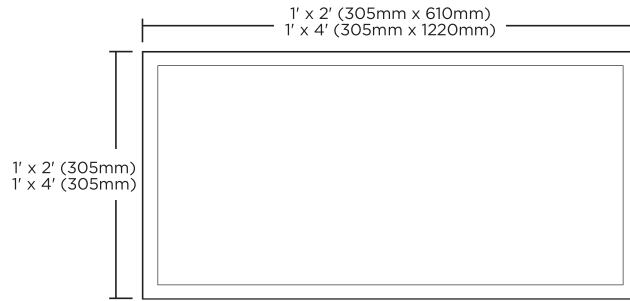
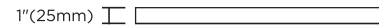
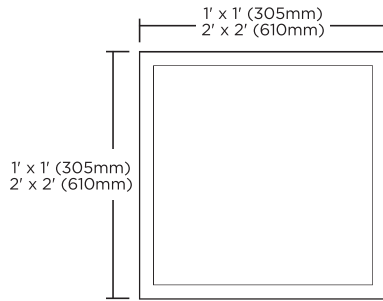


1' x 4' White

# BLINK PLUS SURFACE MOUNT



2' x 2' White



Item	Description	W	CRI	CCT	Lm	Pack
<b>80CRI</b>						
62-1151†	1' x 1'	18	80	5000K	1600	6
62-1153	2' x 2'	45	80	5000K	4050	2
62-1152	1' x 2'	22	80	5000K	1900	4
62-1154	1' x 4'	45	80	5000K	4050	2
62-1155	5.5" x 24"	22	80	5000K	1870	6
62-1156	5.5" x 36"	30	80	5000K	2600	4
62-1157	5.5" x 48"	40	80	5000K	3300	4
<b>90CRI</b>						
62-1051†	1' x 1'	18	90	3000K	1300	6
62-1251†	1' x 1'	18	90	4000K	1365	6
62-1053	2' x 2'	45	90	3000K	3500	2
62-1253	2' x 2'	45	90	4000K	3675	2
62-1052	1' x 2'	22	90	3000K	1650	4
62-1252	1' x 2'	22	90	4000K	1735	4
62-1054	1' x 4'	45	90	3000K	3600	2
62-1254	1' x 4'	45	90	4000K	3780	2
62-1055	5.5" x 24"	22	90	3000K	1600	6
62-1056	5.5" x 36"	30	90	4000K	2100	4
62-1057	5.5" x 48"	40	90	3000K	2800	4
62-1255	5.5" x 24"	22	90	4000K	1680	6
62-1256	5.5" x 36"	30	90	3000K	2205	4
62-1257	5.5" x 48"	40	90	4000K	2940	4

\*Consult Satco or visit [www.satco.com](http://www.satco.com) for an up to date dimmer compatibility list. See warranty for details.

Product sheet SA2030-1

## Specifications



## Certifications



# BLINK PLUS PROFILE SURFACE MOUNT



## Features:

\*Complies with NEC 410.16 (A)(3) and NEC 410.16 (C)(5)

\*Dimmable, 120V only

Ultra-low profile 1" deep  
made for j-box installs

Unique quick-lock  
mounting bracket

Mounts directly to 3" and  
4" junction boxes

Available in White, Bronze and Gunmetal

100-277V, 50/60Hz

5 Year limited warranty

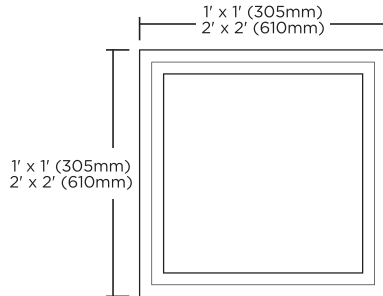


1'x4' Bronze

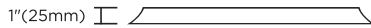
# BLINK PLUS PROFILE SURFACE MOUNT



7" x 2' Gunmetal



1' x 1' (305mm)  
2' x 2' (610mm)



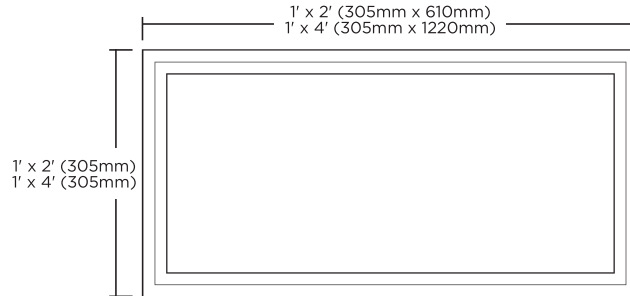
1" (25mm)



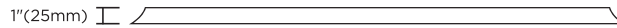
Quick-lock mounting bracket for 1'x1' fixtures.



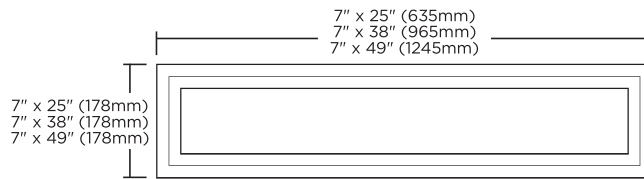
Installation for 2' and longer fixtures is easy using the unique quick-lock mounting bracket.



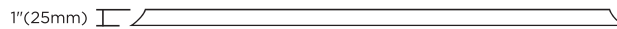
1' x 2' (305mm)  
1' x 4' (305mm)



1" (25mm)



7" x 25" (178mm)  
7" x 38" (178mm)  
7" x 49" (178mm)



1" (25mm)

Item	Description	W	CCT	Lm	Pack
62-1171+	1' x 1' - Gunmetal	18	3000K	1300	6
62-1172	1' x 2' - Gunmetal	22	3000K	1650	4
62-1173	2' x 2' - Gunmetal	45	3000K	3500	2
62-1174	1' x 4' - Gunmetal	45	3000K	3600	2
62-1175	7"X25" - Gunmetal	22	3000K	1600	6
62-1176	7"X38" - Gunmetal	30	3000K	2100	4
62-1177	7"X49" - Gunmetal	40	3000K	2800	4
62-1181+	1' x 1' - Bronze	18	3000K	1300	6
62-1182	1' x 2' - Bronze	22	3000K	1650	4
62-1183	2' x 2' - Bronze	45	3000K	3500	2
62-1184	1' x 4' - Bronze	45	3000K	3600	2
62-1185	7"X25" - Bronze	22	3000K	1600	6
62-1186	7"X38" - Bronze	30	3000K	2100	4
62-1187	7"X49" - Bronze	40	3000K	2800	4
62-1371+	1' x 1' - White	18	3000K	1300	6
62-1372	1' x 2' - White	22	3000K	1650	4
62-1373	2' x 2' - White	45	3000K	3500	2
62-1374	1' x 4' - White	45	3000K	3600	2
62-1375	7"X25" - White	22	3000K	1600	6
62-1376	7"X38" - White	30	3000K	2100	4
62-1377	7"X49" - White	40	3000K	2800	4
62-1381+	1' x 1' - White	18	4000K	1365	6
62-1382	1' x 2' - White	22	4000K	1735	4
62-1383	2' x 2' - White	45	4000K	3780	2
62-1384	1' x 4' - White	45	4000K	3780	2
62-1385	7"X25" - White	22	4000K	1680	6
62-1386	7"X38" - White	30	4000K	2205	4
62-1387	7"X49" - White	40	4000K	2940	4

\*Consult Satco or visit [www.satco.com](http://www.satco.com) for an up to date dimmer compatibility list. See warranty for details.

Product sheet SA2030-1

## Specifications



## Certifications





## BLINK PLUS 15" AND 19" SURFACE MOUNT

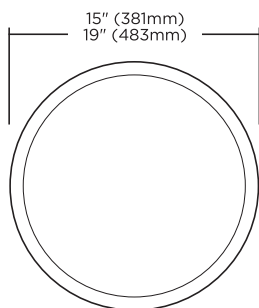


### Features:

- Sleek design - Only 1" deep
- Dimmable, 120V only\*
- Unique quick-lock mounting bracket
- Mounts directly to 3" and 4" junction boxes
- White finish
- 120-277V, 50/60Hz
- 5 Year limited warranty



# BLINK PLUS 15" AND 19" SURFACE MOUNT



Quick-lock mounting bracket  
for Blink Plus 15" & 19" fixtures



62-1294  
15" Suspension Kit (120V only)  
Blink fixture sold separately



62-1295  
19" Suspension Kit (120V only)  
Blink fixture sold separately

Item	Description	W	CCT	Lm	Pack
62-1191	15" Round	26	3000K	2000	1
62-1291	15" Round	26	4000K	2100	1
62-1192	19" Round	30	3000K	2400	1
62-1292	19" Round	30	4000K	2520	1

#### Accessories

62-1294	Blink 15" pendant suspension kit, 3x12' suspension cables, 12' wire (120V use only)				6
62-1295	Blink 19" pendant suspension kit, 3x12' suspension cables, 12' wire (120V use only)				6

\*Consult Satco or visit [www.satco.com](http://www.satco.com) for an up to date dimmer compatibility list. See warranty for details.

Product sheet SA2030-1

#### Specifications



#### Certifications



# BLINK 5.5" SURFACE MOUNT



## Features:

Sleek design - Only 1" deep

†Complies with NEC 410.16 (A)(3)  
and NEC 410.16 (C)(5)

Dimmable\*

Mounts directly to 3" and 4"  
junction boxes

Round available in White,  
Brushed Nickel, Bronze, Black  
and Polished Chrome

Square available in White,  
Brushed Nickel, Bronze and Black

5 Year limited warranty



White

# BLINK 5.5" SURFACE MOUNT



Polished Chrome



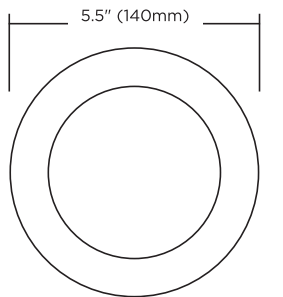
Brushed Nickel



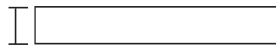
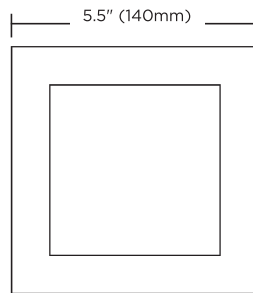
Bronze



Black



Round



Square

Item	Description	CRI	CCT	Lm	Pack
S29320†	5.5" Round - White	90	2700K	580	12
S29321†	5.5" Round - Brushed Nickel	90	2700K	580	12
S29322†	5.5" Round - Bronze	90	2700K	580	12
S29323†	5.5" Round - White	90	3000K	600	12
S29359†	5.5" Round - Brushed Nickel	90	3000K	600	12
S21500†	5.5" Round - Bronze	90	3000K	600	12
S21525†	5.5" Round - Polished Chrome	90	3000K	600	12
S21526†	5.5" Round - Black	90	3000K	600	12
S21501†	5.5" Round - White	90	4000K	600	12
S21502	5.5" Round - White	80	5000K	600	12
S21518	5.5" Round - Brushed Nickel	80	5000K	720	12
S29324†	5.5" Square - White	90	2700K	580	12
S29325†	5.5" Square - Brushed Nickel	90	2700K	580	12
S29326†	5.5" Square - Bronze	90	2700K	580	12
S29327†	5.5" Square - White	90	3000K	600	12
S21503†	5.5" Square - Brushed Nickel	90	3000K	600	12
S21504†	5.5" Square - Bronze	90	3000K	600	12
S21537†	5.5" Square - Black	90	3000K	600	12
S21505†	5.5" Square - White	90	4000K	600	12
S21506	5.5" Square - White	80	5000K	600	12
S21519	5.5" Square - Brushed Nickel	80	5000K	700	12

\*Consult Satco or visit [www.satco.com](http://www.satco.com) for an up to date dimmer compatibility list. See warranty for details.

Product sheet SA2030-1

## Specifications

50,000 HOURS

## Certifications

# BLINK 7" SURFACE MOUNT



## Features:

Sleek design - Only 1" deep

†Complies with NEC 410.16 (A)(3)  
and NEC 410.16 (C)(5)

Dimmable\*

Mounts directly to 3" and 4"  
junction boxes

Round available in White,  
Brushed Nickel, Bronze, Black and  
Polished Chrome

Square available in White, Brushed  
Nickel, Bronze and Black

5 Year limited warranty



White

# BLINK 7" SURFACE MOUNT



Polished Chrome



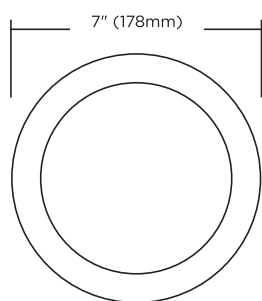
Brushed Nickel



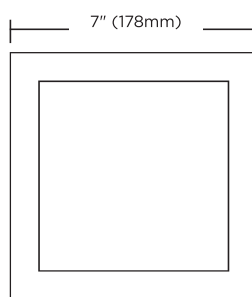
Black



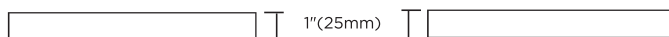
Bronze



Round



Square



Item	Description	V	CRI	CCT	Lm	Pack
S29328†	7" Round - White	120	90	2700K	800	12
S29329†	7" Round - Brushed Nickel	120	90	2700K	800	12
S29330†	7" Round - Bronze	120	90	2700K	800	12
S29331†	7" Round - White	120	90	3000K	820	12
S29349†	7" Round - Brushed Nickel	120	90	3000K	820	12
S21507†	7" Round - Bronze	120	90	3000K	820	12
S21527†	7" Round - Polished Chrome	120	90	3000K	820	12
S21528†	7" Round - Black	120	90	3000K	820	12
S29655†	7" Round - White	120	90	4000K	820	12
S29360	7" Round - White	120	80	5000K	900	12
S21520	7" Round - Brushed Nickel	120	80	5000K	900	12
S29332†	7" Square - White	120	90	2700K	780	12
S29333†	7" Square - Brushed Nickel	120	90	2700K	780	12
S29334†	7" Square - Bronze	120	90	2700K	780	12
S29335††	7" Square - White	120	90	3000K	800	12
S21509†	7" Square - Brushed Nickel	120	90	3000K	800	12
S21510†	7" Square - Bronze	120	90	3000K	800	12
S21538†	7" Square - Black	120	90	3000K	800	12
S21511†	7" Square - White	120	90	4000K	800	12
S29361	7" Square - White	120	80	5000K	880	12
S21521	7" Square - Brushed Nickel	120	80	5000K	880	12
<b>0-10V Dimming*</b>						
S29367†	7" Round - White (0-10V Dimming)	120	90	3000K	820	12
S21508†	7" Round - White (0-10V Dimming)	120	90	4000K	820	12
<b>277V</b>						
S29357†	7" Round - White (277V)	277	90	3000K	820	12

\*Consult Satco or visit [www.satco.com](http://www.satco.com) for an up to date dimmer compatibility list. See warranty for details.

Product sheet SA2030-1

## Specifications

## Certifications



# BLINK 9" SURFACE MOUNT



## Features:

Sleek design - Only 1" deep

Dimmable\*

Mounts directly to 3" and 4" junction boxes

Round available in White, Brushed Nickel, Bronze, Black and Polished Chrome

Square available in White, Brushed Nickel, Bronze and Black

5 Year limited warranty



White



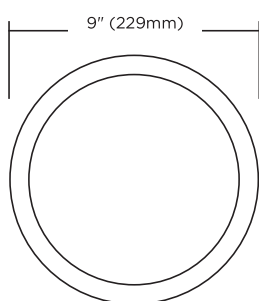
# BLINK 9" SURFACE MOUNT



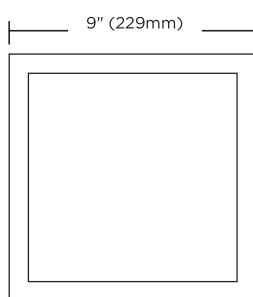
Black



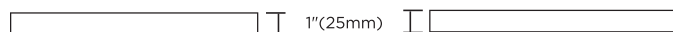
Brushed Nickel



Round



Square



Item	Description	V	CRI	CCT	Lm	Pack
S29336	9" Round - White	120	90	2700K	1150	12
S29337	9" Round - Brushed Nickel	120	90	2700K	1150	12
S29338	9" Round - Bronze	120	90	2700K	1150	12
S29339	9" Round - White	120	90	3000K	1200	12
S29379	9" Round - Brushed Nickel	120	90	3000K	1200	12
S21512	9" Round - Bronze	120	90	3000K	1200	12
S21529	9" Round - Polished Chrome	120	90	3000K	1200	12
S21530	9" Round - Black	120	90	3000K	1200	12
S29690	9" Round - White	120	90	4000K	1200	12
S29362	9" Round - White	120	80	5000K	1300	12
S21522	9" Round - Brushed Nickel	120	80	5000K	1400	12
S29340	9" Square - White	120	90	2700K	1100	12
S29341	9" Square - Brushed Nickel	120	90	2700K	1100	12
S29342	9" Square - Bronze	120	90	2700K	1100	12
S29343	9" Square - White	120	90	3000K	1150	12
S21515	9" Square - Brushed Nickel	120	90	3000K	1150	12
S21516	9" Square - Bronze	120	90	3000K	1150	12
S21539	9" Square - Black	120	90	3000K	1150	12
S21517	9" Square - White	120	90	4000K	1200	12
S29363	9" Square - White	120	80	5000K	1350	12
<b>0-10V Dimming*</b>						
S21513	9" Round - White (0-10V Dimming)	120	90	3000K	1200	12
S21514	9" Round - White (0-10V Dimming)	120	90	4000K	1300	12
S29687	9" Square - White (0-10V Dimming)	120	90	3000K	1150	12
<b>277V</b>						
S29358	9" Round - White (277V)	277	90	3000K	1200	12

\*Consult Satco or visit [www.satco.com](http://www.satco.com) for an up to date dimmer compatibility list. See warranty for details.

Product sheet SA2030-1

## Specifications

## Certifications

# BLINK 13" SURFACE MOUNT



## Features:

- Sleek design - Only 1" deep
- Dimmable\*
- Mounts directly to 3" and 4" junction boxes
- Available in White, Brushed Nickel, Bronze and Black
- 5 Year limited warranty



White

# BLINK 13" SURFACE MOUNT



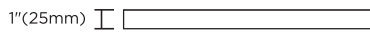
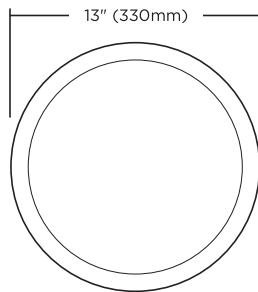
Brushed Nickel



Bronze



Black



Installation is easy using the twist & lock mounting bracket.

Item	Description	CRI	CCT	Lm	Pack
S29650	13" Round - White	90	3000K	1700	4
S29651	13" Round - Brushed Nickel	90	3000K	1700	4
S21541	13" Round - Black	90	3000K	1700	4
S29652	13" Round - Bronze	90	3000K	1700	4
S29691	13" Round - White	90	4000K	1800	4

\*Consult Satco or visit [www.satco.com](http://www.satco.com) for an up to date dimmer compatibility list. See warranty for details.

Product sheet SA2030-1

## Specifications

**90 CRI**
**120 VOLT**
**DIMMABLE**

**WET LOCATION**
**50,000 HOURS**

## Certifications

**Efficiency Standards**  
**T24** California Title 24 Residential and Non-Residential Compliant

# BLINK "ECO" 6" AND 8" SURFACE MOUNT



## Features:

- Sleek design - Only 1" deep
- Lightweight polycarbonate housing
- Dimmable\*
- Mounts directly to 3" and 4" junction boxes
- White finish
- 5 Year limited warranty

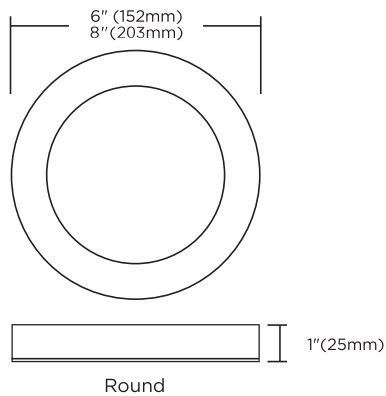


6" White

# BLINK "ECO" 6" AND 8" SURFACE MOUNT



8" White



Item	Description	W	Lm	Pack
S9880	6" Round - White	12.5	690	12
S9881	8" Round - White	16.5	940	12

\*Consult Satco or visit [www.satco.com](http://www.satco.com) for an up to date dimmer compatibility list. See warranty for details.

Product sheet SA2030-1

## Specifications



## Certifications



# BLINK SLIM 7" AND 9" SURFACE MOUNT



## Features:

Ultra-thin 5/8" edge lit  
flush mount fixture

Dimmable\* 120V only

Mounts directly to 3" and 4"  
junction boxes

Available in White, Brushed Nickel,  
Polished Nickel and Bronze

5 Year limited warranty



9" Bronze



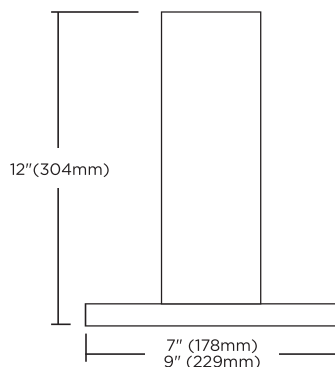
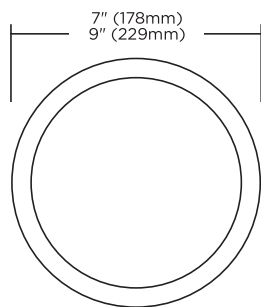
# BLINK SLIM 7" AND 9" SURFACE MOUNT



7" Brushed Nickel



7" White



.625" (16mm)



\*\* Fixture sold separately



7" White

7" Bronze

9" Brushed Nickel

9" Polished Nickel

Item	Description	W	Lm	Pack
S9882	7" Round - White	12	960	12
S9883	7" Round - Brushed Nickel	12	960	12
S9884	7" Round - Polished Nickel	12	960	12
S9885	7" Round - Bronze	12	960	12
S9886	9" Round - White	16	1300	12
S9887	9" Round - Brushed Nickel	16	1300	12
S9888	9" Round - Polished Nickel	16	1300	12
S9889	9" Round - Bronze	16	1300	12
<b>Accessories</b>				
62-1301**	7" Pendant Kit - White (120V use only) - 12' Wire			12
62-1302**	9" Pendant Kit - White (120V use only) - 12' Wire			12
62-1303**	7" Pendant Kit - Bronze (120V use only) - 12' Wire			12
62-1304**	9" Pendant Kit - Bronze (120V use only) - 12' Wire			12
62-1305**	7" Pendant Kit - Brushed Nickel (120V use only) - 12' Wire			12
62-1306**	9" Pendant Kit - Brushed Nickel (120V use only) - 12' Wire			12
62-1307**	7" Pendant Kit - Polished Nickel (120V use only) - 12' Wire			12
62-1308**	9" Pendant Kit - Polished Nickel (120V use only) - 12' Wire			12

\*Consult Satco or visit [www.satco.com](http://www.satco.com) for an up to date dimmer compatibility list. See warranty for details.

Product sheet SA2030-1

## Specifications



## Certifications



# BLINK RECTANGULAR 5" X 18" AND 7" X 18" SURFACE MOUNT



## Features:

- Sleek design - Only 1" deep
- Complies with NEC 410.16(A)(3) and NEC 410.16(C)(5)
- Dimmable\*
- White finish
- 5 Year limited warranty

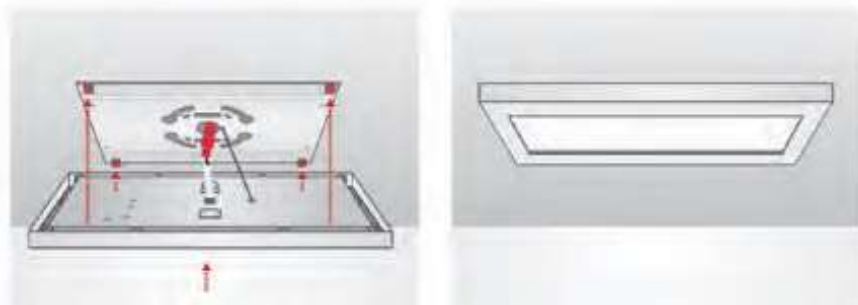


5" x 18"

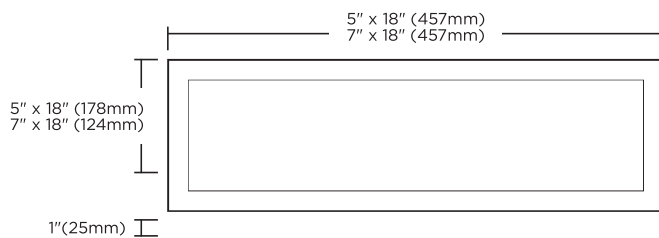
# BLINK RECTANGULAR 5" X 18" AND 7" X 18" SURFACE MOUNT



7" x 18"



Push to lock fixture in place



Item	Description	W	Lm	Pack
S9368	5" x 18" - White	18	950	6
S9369	7" x 18" - White	24	1300	6

\*Consult Satco or visit [www.satco.com](http://www.satco.com) for an up to date dimmer compatibility list. See warranty for details.

Product sheet SA2030-1

## Specifications



## Certifications



# BLINK BATTERY BACKUP MODULES



## Features:

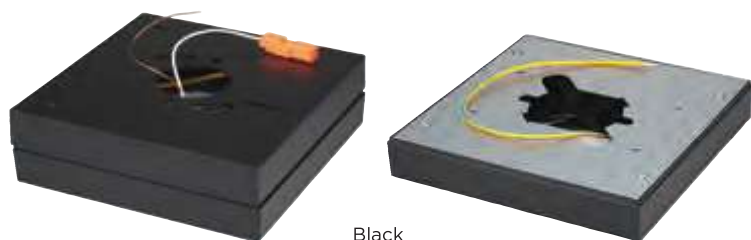
- 24 hour recharge time
- 90 minute operation from battery
- Switching time: < 1 second
- Over-charge / discharge protection
- Self-checking function
- Test button
- Fixtures sold separately
- 7" Round available in White, Brushed Nickel and Black.
- 7" Square available in White and Black. 9" available in White
- 5 Year limited warranty



# BLINK BATTERY BACKUP MODULES



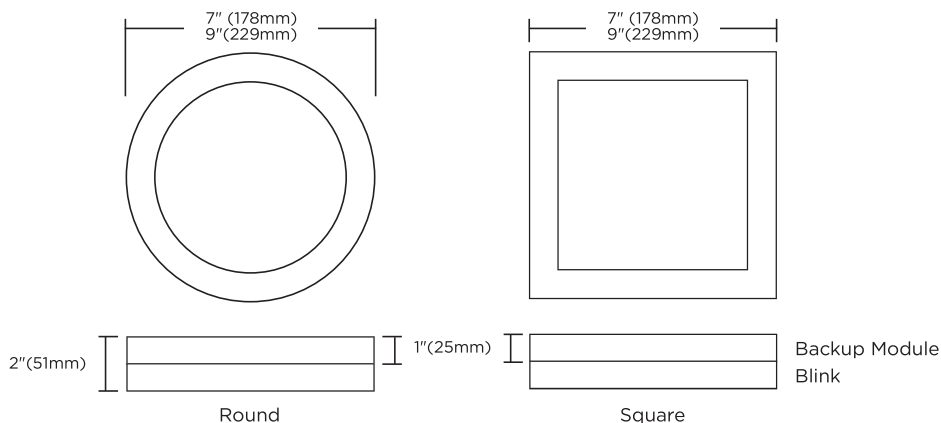
White



Black



Brushed Nickel



Item	Description	Pack
S29344	7" Round - White	12
S29346	7" Round Empty Casing* - White	12
S29653	7" Round - Brushed Nickel	12
S29654	7" Round Empty Casing* - Brushed Nickel	12
S21533	7" Round - Black	12
S21534	7" Round Empty Casing* - Black	12
S29345	7" Square - White	12
S29347	7" Square Empty Casing* - White	12
S21535	7" Square - Black	12
S21536	7" Square Empty Casing* - Black	12
S29656	9" Round - White	12
S29657	9" Round Empty Casing* - White	12
S29658	9" Square - White	12
S29659	9" Square Empty Casing* - White	12
<b>Accessories</b>		
25-9002	Replacement Battery - 3 Pack Wrapped Batteries	48

\*Used to maintain consistent appearance with Blinks utilizing the battery back up. Battery backup module and Blink fixture sold separately. See warranty for details.

# INDEX

Item	Page	Item	Page	Item	Page	Item	Page
25-4091	173	62-1095	163	62-1175	191	62-1266	153
25-9002	209	62-1096	163	62-1176	191	62-1267	153
60-673	141	62-1097	163	62-1177	191	62-1268	153
60-674	141	62-1098	163	62-1171	191	62-1291	193
60-675	141	62-1105	123	62-1181	191	62-1292	193
60-676	141	62-1106	123	62-1182	191	62-1294	193
60-677	141	62-1107	123	62-1183	191	62-1295	193
60-678	141	62-1108	123	62-1184	191	62-1301	205
60-679	141	62-1137	145	62-1185	191	62-1302	205
60-680	141	62-1138	145	62-1186	191	62-1303	205
62-458	177	62-1139	145	62-1187	191	62-1304	205
62-459	177	62-1141R1	147	62-1191	193	62-1305	205
62-460	177	62-1142R1	147	62-1192	193	62-1306	205
62-468	177	62-1143R1	147	62-1200	141	62-1307	205
62-469	177	62-1144R1	147	62-1201	141	62-1308	205
62-470	177	62-1145R1	147	62-1202	141	62-1310	153
62-786	179	62-1146R1	147	62-1203	141	62-1311	153
62-787	179	62-1147	145	62-1204	141	62-1312	153
62-788	179	62-1148	145	62-1205	141	62-1313	153
62-789	179	62-1149	145	62-1206	141	62-1340	181
62-791R1	159	62-1151	189	62-1207	141	62-1341	181
62-792R1	159	62-1152	189	62-1208	141	62-1342	181
62-795R1	157	62-1153	189	62-1210	155	62-1343	181
62-796R1	157	62-1154	189	62-1211	155	62-1371	191
62-797	161	62-1155	189	62-1212	155	62-1372	191
62-798	161	62-1156	189	62-1213	155	62-1373	191
62-927	69	62-1157	189	62-1251	189	62-1374	191
62-928	69	62-1161	151	62-1252	189	62-1375	191
62-1042	175	62-1162	151	62-1253	189	62-1376	191
62-1043	175	62-1163	151	62-1254	189	62-1377	191
62-1044	175	62-1164	151	62-1255	189	62-1381	191
62-1051	189	62-1165	151	62-1256	189	62-1382	191
62-1052	189	62-1166	151	62-1257	189	62-1383	191
62-1053	189	62-1167	151	62-1261R1	153	62-1384	191
62-1054	189	62-1168	151	62-1262R1	153	62-1385	191
62-1055	189	62-1172	191	62-1263R1	153	62-1386	191
62-1056	189	62-1173	191	62-1264R1	153	62-1387	191
62-1057	189	62-1174	191	62-1265	153	62-1410	183



# INDEX

Item	Page	Item	Page	Item	Page	Item	Page
62-1411	.183	62-1646	.169	63-510	.135	65-214	.137
62-1413	.183	62-1731	.171	63-511	.135	65-215	.137
62-1414	.183	62-1732	.171	63-512	.135	65-216	.137
62-1416	.185	62-1735	.165	63-513	.135	65-217	.137
62-1417	.185	62-1736	.165	63-514	.135	65-218	.137
62-1419	.185	62-1737	.165	63-515	.135	65-219	.137
62-1420	.185	62-1738	.165	63-516	.135	65-220	.137
62-1442	.175	62-1739	.167	63-517	.135	65-221	.137
62-1443	.175	62-1740	.167	63-518	.135	65-223	.31
62-1444	.175	62-1741	.165	63-700	.133	65-224	.31
62-1515	.187	62-1745	.169	63-701	.133	65-225	.31
62-1516	.187	62-2932	.173	65-062	.25	65-226	.31
62-1517	.187	62-2934	.173	65-063	.25	65-244	.29
62-1518	.187	62-2936	.173	65-113	.149	65-245	.29
62-1519	.187	63-101	.131	65-114	.149	65-265	.23
62-1520	.187	63-102	.131	65-138	.37	65-266	.23
62-1521	.187	63-103	.131	65-139	.37	65-267	.23
62-1522	.187	63-104	.131	65-140	.37	65-268	.23
62-1523	.187	63-201	.131	65-141	.37	65-269	.23
62-1524	.187	63-202	.131	65-142	.37	65-270	.23
62-1525	.187	63-203	.131	65-143	.37	65-401	.143
62-1526	.187	63-204	.131	65-144	.37	65-403	.143
62-1527	.187	63-301	.133	65-145	.37	65-405	.143
62-1528	.187	63-302	.133	65-146	.37	65-407	.143
62-1529	.187	63-303	.133	65-147	.37	65-409	.143
62-1530	.187	63-304	.133	65-148	.37	65-411	.143
62-1631	.171	63-305	.133	65-149	.37	65-421	.75
62-1632	.171	63-306	.133	65-169	.47	65-422	.75
62-1633	.171	63-307	.133	65-170	.47	65-423	.75
62-1634	.171	63-308	.133	65-171	.33	65-427	.75
62-1635	.165	63-309	.133	65-172	.33	65-428	.75
62-1636	.165	63-311	.133	65-173	.33	65-429	.75
62-1637	.165	63-314	.133	65-199	.47	65-430	.75
62-1638	.165	63-315	.133	65-200	.47	65-431	.75
62-1639	.167	63-501	.135	65-210	.137	65-432	.75
62-1640	.167	63-502	.135	65-211	.137	65-445	.77
62-1641	.165	63-503	.135	65-212	.137	65-446	.77
62-1645	.169	63-504	.135	65-213	.137	65-447	.77

# INDEX

Item	Page	Item	Page	Item	Page	Item	Page
65-451	77	65-587	71	65-644	51	65-707	53
65-452	77	65-588	71	65-645	51	65-708	53
65-453	77	65-589	71	65-646	51	65-710	139
65-454	77	65-590	71	65-647	51	65-711	139
65-455	77	65-591	71	65-648	51	65-712	139
65-456	77	65-592	71	65-650	51	65-713	139
65-497	49	65-593	71	65-651	51	65-714	139
65-498	49	65-595	71	65-652	51	65-715	139
65-499	49	65-596	71	65-653	51	65-716	139
65-500	49	65-597	71	65-655	19	65-717	139
65-501	49	65-598	71	65-656	19	65-718	139
65-502	49	65-599	71	65-671	17	65-719	139
65-503	49	65-600	71	65-672	17	65-720	139
65-504	49	65-604	41	65-673	17	65-721	139
65-505	49	65-605	41	65-674	15	65-750	21
65-506	49	65-606	41	65-675	15	65-751	21
65-507	49	65-609	41	65-676	15	65-752	21
65-508	49	65-610	41	65-677	13	65-755	11
65-531	39	65-613	41	65-678	13	65-756	11
65-532	39	65-615	41	65-679	13	65-757	11
65-533	39	65-616	41	65-680	13	65-758	11
65-534	39	65-617	41	65-681	27	65-759	47
65-535	39	65-618	41	65-682	27	65-760	11
65-536	39	65-619	41	65-683	27	65-761	11
65-537	39	65-620	41	65-684	27	65-763	47
65-538	39	65-623	35	65-685	27	65-764	47
65-539	39	65-624	35	65-686	27	65-765	47
65-571	71	65-625	35	65-687	27, 29	65-766	47
65-572	71	65-626	35	65-688	27	65-767	47
65-573	71	65-627	35	65-690	73	65-768	47
65-575	71	65-628	35	65-691	73	65-769	47
65-576	71	65-629	35	65-694	73	65-770	43
65-577	71	65-630	35	65-695	73	65-771	43
65-581	71	65-631	35	65-700	53	65-772	47
65-582	71	65-632	35	65-701	53	65-773	47
65-583	71	65-641	51	65-702	53	65-774	47
65-585	71	65-642	51	65-703	53	65-775	47
65-586	71	65-643	51	65-706	53	65-776	47

# INDEX

Item	Page	Item	Page	Item	Page	Item	Page
65-777	47	65-824	61	65-1136	57	86-212	41
65-778	47	65-825	61	65-1142	57	86-213	35
65-779	47	65-826	61	65-1143	57	86-216	111
65-780	47	65-827	61	65-1145	57	86-218	47
65-781	45	65-828	63	65-1146	57	86-219	47
65-782	45	65-830	63	65-1152	57	S11618	107
65-783	45	65-831	63	65-1153	57	S11619	107
65-784	45	65-832	63	65-1155	57	S11620	107
65-785	45	65-833	63	65-1156	57	S11621	109
65-786	45	65-1081	65	76-640	141	S11622	109
65-787	45	65-1082	65	76-641	141	S11623	109
65-788	45	65-1083	65	76-665	141	S11624	107
65-789	47	65-1084	65	76-666	141	S11625	107
65-790	47	65-1091	65	80-942	107, 109	S11626	107
65-791	45	65-1092	65	80-943	107, 109	S11627	109
65-792	45	65-1095	65	80-944	107, 109	S11628	109
65-793	45	65-1096	65	80-945	107, 109, 111	S11629	109
65-794	45	65-1097	65	80-946	89, 95, 107, 111, 113	S11630	107
65-795	45	65-1098	65	80-947	91, 97, 101, 107, 111, 113	S11631	107
65-796	45	65-1100	67	80-948	93, 107, 111, 113	S11632	107
65-797	45	65-1101	67	80-949	107, 109, 111, 113	S11633	109
65-798	45	65-1102	67	80-950	89, 95, 99, 103	S11634	109
65-799	47	65-1103	67	80-951	91, 97, 10, 105	S11635	109
65-800	47	65-1104	67	80-953	93	S11700	103
65-801	45	65-1107	67	80-959	113, 115	S11701	103
65-802	45	65-1108	67	80-962	87	S11702	103
65-803	45	65-1112	67	80-963	87	S11703	103
65-804	45	65-1113	67	80-964	87	S11704	105
65-805	45	65-1118	55, 57	80-965	87	S11705	105
65-806	45	65-1119	55, 57	80-966	87	S11706	105
65-807	45	65-1122	55	80-970	113	S11707	105
65-808	45	65-1123	55	86-202	49, 53, 55, 57	S11708	99
65-809	47	65-1125	55	86-203	37	S11709	99
65-810	47	65-1126	55	86-204	37	S11710	99
65-820	61	65-1127	55, 57	86-205	13, 15, 17	S11711	99
65-821	61	65-1132	57	86-209	51	S11712	101
65-822	61	65-1133	57	86-210	51	S11713	101
65-823	61	65-1135	57	86-211	49, 51, 53, 55, 57	S11714	101

# INDEX

Item	Page	Item	Page	Item	Page	Item	Page
S11715	101	S21507	197	S29324	195	S29654	209
S11716	93	S21508	197	S29325	195	S29655	197
S11717	93	S21509	197	S29326	195	S29656	209
S11718	93	S21510	197	S29327	195	S29657	209
S11719	93	S21511	197	S29328	197	S29658	209
S11720	87	S21512	199	S29329	197	S29659	209
S11721	87	S21513	199	S29330	197	S29687	199
S11722	87	S21514	199	S29331	197	S29690	199
S11723	87	S21515	199	S29332	197	S29691	201
S11724	87	S21516	199	S29333	197	S39011	95
S11800	79	S21517	199	S29334	197	S39012	95
S11801	79	S21518	195	S29335	197	S39013	95
S11810	113	S21519	195	S29336	199	S39021	95
S11811	113	S21520	197	S29337	199	S39026	97
S11812	113	S21521	197	S29338	199	S39027	97
S11813	113	S21522	199	S29339	199	S39028	97
S11814	113	S21525	195	S29340	199	S39029	97
S11815	113	S21526	195	S29341	199	S39055	89
S11816	113	S21527	197	S29342	199	S39056	89
S11817	113	S21528	197	S29343	199	S39057	89
S11820	79	S21529	199	S29344	209	S39058	89
S11821	79	S21530	199	S29345	209	S39059	91
S11822	79	S21533	209	S29346	209	S39061	91
S11824	79	S21534	209	S29347	209	S39062	91
S11825	79	S21535	209	S29349	197	S39063	91
S11826	111	S21536	209	S29357	197	S8003	113, 115
S11827	111	S21537	195	S29358	199	S9368	207
S11828	111	S21538	197	S29359	195	S9369	207
S11829	111	S21539	199	S29360	197	S9538	85
S11830	111	S21541	201	S29361	197	S9539	85
S11831	111	S29312	81	S29362	199	S9540	85
S21500	195	S29313	81	S29363	199	S9541	85
S21501	195	S29314	81	S29367	197	S9598	83
S21502	195	S29315	81	S29379	199	S9599	83
S21503	195	S29320	195	S29650	201	S9880	203
S21504	195	S29321	195	S29651	201	S9881	203
S21505	195	S29322	195	S29652	201	S9882	205
S21506	195	S29323	195	S29653	209	S9883	205

# INDEX

Item	Page	Item	Page	Item	Page	Item	Page
S9884	205	TH453	121	TH502	125	TL114	129
S9885	205	TH454	121	TH503	125	TL115	129
S9886	205	TH455	121	TH504	125	TL116	129
S9887	205	TH457	121	TH505	125	TP144	129
S9888	205	TH461	117	TH506	125	TP145	129
S9889	205	TH462	117	TH507	125	TP146	129
TH401	121	TH463	117	TH601	128	TP147	129
TH402	121	TH464	117	TH602	128	TP148	129
TH403	121	TH465	117	TH603	128	TP149	129
TH404	121	TH467	117	TH604	128	TP150	129
TH405	121	TH471	121	TH611	128	TP151	129
TH407	121	TH472	121	TH612	128	TP152	129
TH411	119	TH473	121	TH613	128	TP153	129
TH412	119	TH474	121	TH614	128	TP154	129
TH413	119	TH475	121	TH621	128	TP155	129
TH414	119	TH477	121	TH622	128	TP167	129
TH415	119	TH480	117	TH623	128	TP168	129
TH417	119	TH481	117	TH624	128	TP169	129
TH421	119	TH482	117	TK403	127	TP170	129
TH422	119	TH483	117	TK404	127	TP171	129
TH423	119	TH484	117	TK407	127	TP172	129
TH424	119	TH485	117	TK413	127	TR118	129
TH425	119	TH486	117	TK414	127	TR119	129
TH427	119	TH487	117	TK417	127	TR120	129
TH431	121	TH488	119	TK423	127	TR121	129
TH432	121	TH489	119	TK424	127	TR122	129
TH433	121	TH490	119	TK427	127	TR123	129
TH434	121	TH491	119	TL100	129	TR124	129
TH435	121	TH492	119	TL101	129	TR125	129
TH437	121	TH493	119	TL102	129	TR126	129
TH441	117	TH494	119	TL103	129	TR127	129
TH442	117	TH495	119	TL104	129	TR128	129
TH443	117	TH496	119	TL105	129	TR129	129
TH444	117	TH497	119	TL106	129		
TH445	117	TH498	119	TL110	129		
TH447	117	TH499	119	TL111	129		
TH451	121	TH500	125	TL112	129		
TH452	121	TH501	125	TL113	129		

To learn more about Satco | Nuvo,  
visit [satco.com](http://satco.com) or contact 800-437-2826.

## **DISTRIBUTION CENTERS**

### **New York (Headquarters)**

110 Heartland Blvd., Brentwood, NY 11717  
Tel. 631-243-2022, Fax: 631-243-2027

### **Texas**

2000 Valwood Parkway, Farmers Branch, TX 75234  
Tel. 972-247-2437, Fax: 972-247-5408

### **Florida**

900 N.W. 159th Drive, Miami, FL 33109  
Tel. 305-624-2044, Fax: 305-623-0286

### **California**

31288 San Benito Street, Hayward, CA 94544  
Tel. 510-487-4822, Fax: 510-487-8955

### **Washington**

4710 116th S.W., Mukilteo, WA 98275  
Tel. 425-789-3300, Fax: 425-789-3310

### **Puerto Rico**

Campeche Street. 23 Julio  
N. Matos Industrial Park, Carolina, PR 00984  
Tel. 787-757-3510, Fax: 787-757-3540

### **Products inventoried in Canada & Mexico:**

Contact: [internationalsales@satco.com](mailto:internationalsales@satco.com)  
631-243-2022 Ext. 315