

JUNE  
2022



**MONTCLAIR**  
LIGHT WORKS



# INTRODUCTION

*Dear Valued Customer,*

*Thank you for choosing Montclair Light Works as your source for finely crafted task and RLM lighting. Montclair Light Works is family owned and valued. We are designers, fabricators and craftspeople. We want our products to create a sense of home, in your home.*

*Product integrity and quality, meeting our customer's needs, specifications, and delivery expectations are what we do every day with the hopes of bringing you back again.*

*Bill & Betsy Brown  
June 2022*



*Why buy from Montclair Light Works?*

- *We manufacture our products in Montclair CA. As US manufacturers we can customize your product, one piece or ten, to suit your needs.*
- *We use the highest grade materials and finishes available to us, our goal is provide a product that will stand the tests of time and weather.*
- *We source services locally to keep our footprint small. We are proud to source materials and services in the So. CA area, we like keeping it local.*
- *We build our product to order to keep our overhead low. This allows us to pass our savings on to you.*
- *We value your business and will strive to provide you an exceptional buying experience.*



# TABLE OF CONTENTS

05.	model number logic
06.	product overview
08.	metal finishes
10.	optional accessories
13.	arm mount selection
14.	picture lights
20.	decorative lighting
72.	RLM + vaportite
128.	quick ship
130.	index

# MODEL NUMBER LOGIC

## 1. Choose Base Item

For example:

GNA114 - 8" Deep Bowl Gooseneck Light



## 2. Choose Finish

For example:

42 - Forest Green



## 3. Choose Accessories

For example:

B03 - Decorative Backplate Cover

L01 - 16.5W A19 LED Bulb

W08 - 8" Wire Grill



Model Number: GNA114-42-B03-L01-W08

1

2

3

# PRODUCT OVERVIEW

## DECORATIVE



Designer 14-16



Gallery 17-19



Axis 20-32



J-Series 33-41



Nest 42-45



Schoolhouse 46-47



Stack 48-55



Uno 56-64



Vintage 65-67



XL Choices 68-71

# RLM



Angle 72-73



Atomic 74-77



Cafe 78-85



Deep Bowl 86-93



Emblem 94-95



Homestead 96-99



Prima 100-103



Radial 104-109



Vaportite 110-115



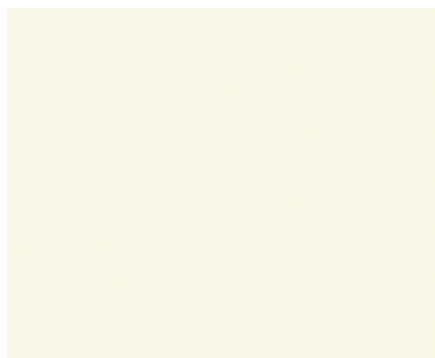
Warehouse 116-127



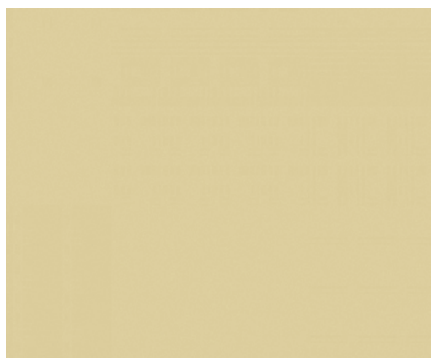
Quick Ship 128-129

## POWDER COAT

White powder coat shade interior, unless otherwise noted. Marine Grade finishes available.



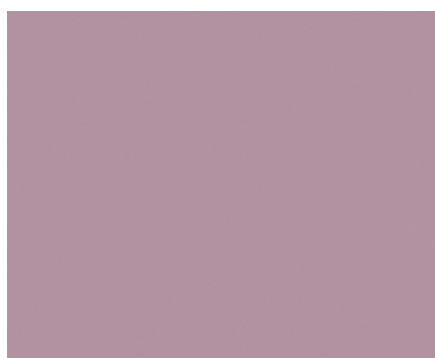
16 Cream



17 Ivory



19 Terracotta



20 Mauve



21 Bright Yellow



22 Fern Green



40 Slate Gray



41 Black



42 Forest Green



44 White Gloss



48 Sea Green



50 Navy





51 Architectural Bronze



54 Light Blue

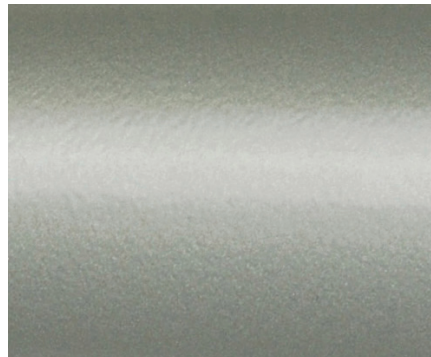


55 Barn Red

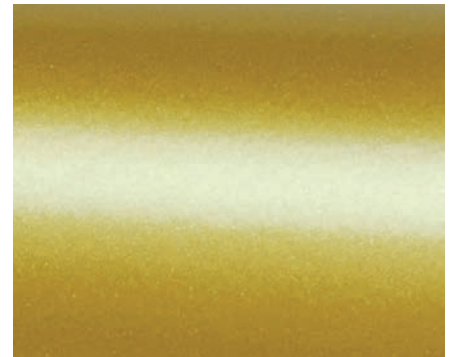
Bronze Matte, Satin Silver and Gold Matte available in Gallery Picture Lights.



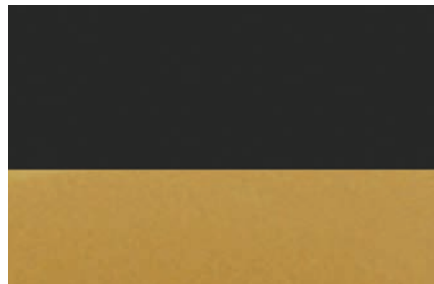
57 Bronze Matte



74 Satin Silver



75 Gold Matte



41-75 Black Matte Exterior/Gold Matte Interior\*\*

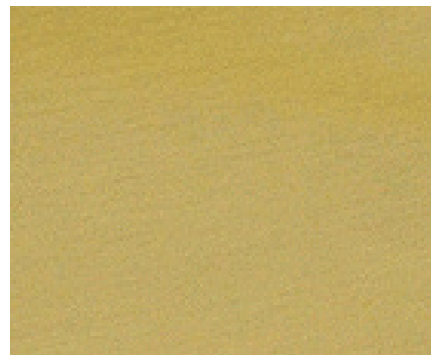
\*\*Available in XL Series only.

## PAINTED AND PLATED

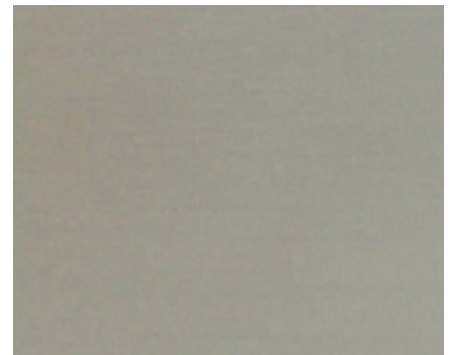
Plated finishes offered in combination with Powder Coat are available in Uno Series only.



49 Painted Galvanized Ext./Paint. Galvanized Int.



91 Brushed Brass



96 Brushed Nickel

# ACCESSORIES



B01 (¾")/B03 (½")  
Decorative Backplate  
Cover/Ceiling Canopy



B02 Sloped Ceiling  
Mount



E03 (med)/E04 (sm)  
XL Series 3-Light  
Cluster



G05 Cast Guard with  
Clear Glass



G06 Cast Guard with  
Frosted Glass



G07 Frosted Glass



G15 Opal Acid-Etched  
8" Glass Globe



S01 (½")/S03 (¾") Swivel



W08-W24 Wire Grill  
W08=8", W10=10", etc.

## STEM LENGTHS

All Stem Hung and Multi-Light Stem Hung Pendants will come standard with a 12" stem.

H24	½"IPS x 24"	T24	¾"IPS x 24"
H30	½"IPS x 30"	T30	¾"IPS x 30"
H36	½"IPS x 36"	T36	¾"IPS x 36"
H48	½"IPS x 48"	T48	¾"IPS x 48"

# FABRIC AND SJT CORD

All Pendants will come with 6' foot Black SJT cord.

For no extra charge 6' White SJT, reference accessory C21.



C21 White SJT



C01 Brown and Ivory Houndstooth



C02 Black



C04 Black and White Houndstooth



C12 Gray



C16 50-Navy Mini Tweed



C20 White



C22 White and Gray Dot



C23 Red and White Zigzag



C24 Cool Tweed



C25 Polished Copper



C26 Ivory



C27 Neutral Argyle



C28 Yellow and White Zigzag

## LAMPING



L01

Med. Base A19 LED Bulb  
2700K, 16.5W, 1600 Lumens,  
90 CRI, Dimmable,  
100W Incandescent Equivalent



L02

Med. Base A19 LED Filament  
Bulb  
2700K, 10.5W, 1100 Lumens,  
90 CRI, Dimmable,  
75W Incandescent Equivalent



L03

Med. Base G25 LED Bulb  
2700K, 4W, 360 Lumens,  
90 CRI, Dimmable,  
40W Incandescent Equivalent



L04

Candelabra. Base C11 LED  
Bulb  
2700K, 8W, 760 Lumens,  
90 CRI, Dimmable,  
75W Incandescent Equivalent

## INTEGRATED LED

For units less than 9" in diameter we offer a single CCT Integrated LED light source\*:

L10 3000K, 16W, 1600 Lumens, 90 CRI, Dimmable.

For units 9" and greater in diameter we offer an adjustable CCT\*\* Integrated LED light source\*:

L11 2700K, 10W, 775 Lumens, 95 CRI, Dimmable  
3000K, 10W, 810 Lumens, 94.5 CRI, Dimmable  
3500K, 10W, 850 Lumens, 94 CRI, Dimmable

L12 2700K, 15W, 1190 Lumens, 95 CRI, Dimmable  
3000K, 15W, 1280 Lumens, 94.5 CRI, Dimmable  
3500K, 15W, 1340 Lumens, 94 CRI, Dimmable

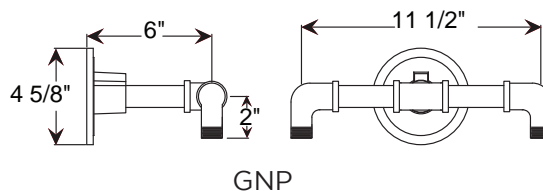
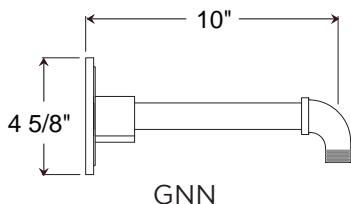
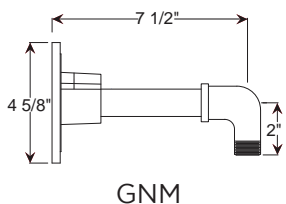
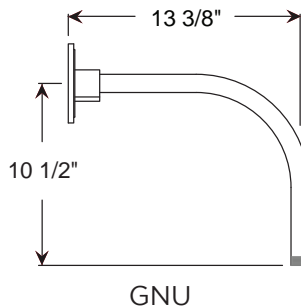
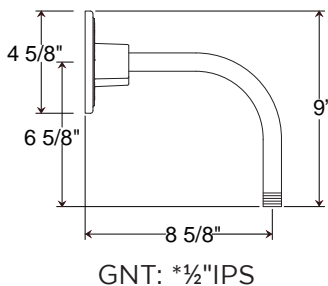
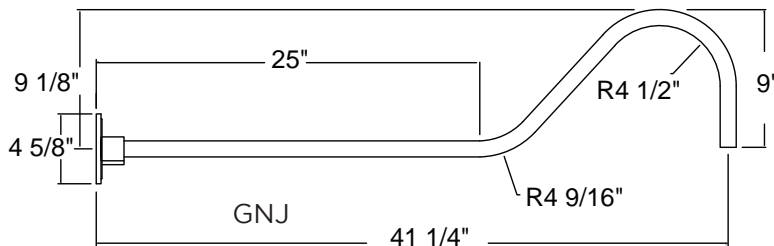
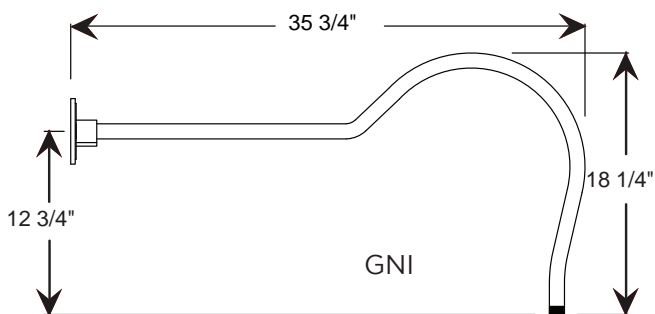
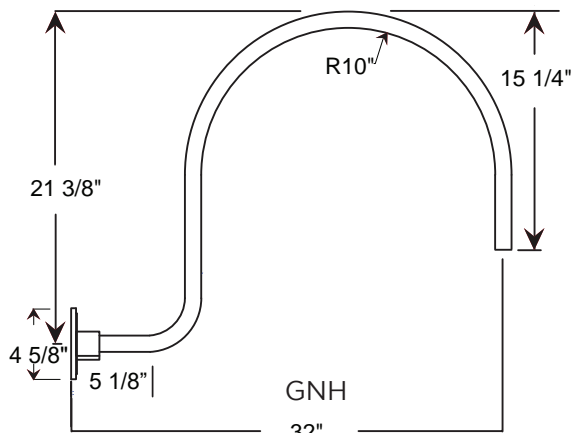
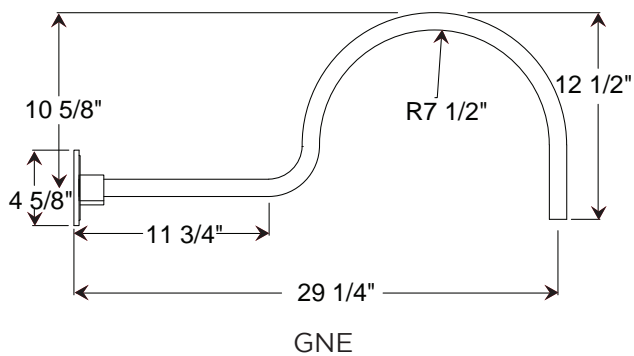
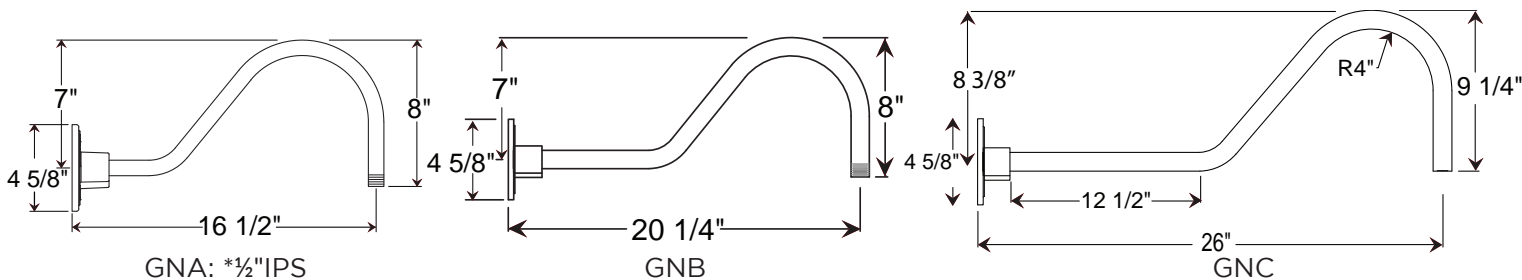
L13 2700K, 25W, 1750 Lumens, 95 CRI, Dimmable  
3000K, 25W, 1840 Lumens, 94.5 CRI, Dimmable  
3500K, 25W, 1880 Lumens, 94 CRI, Dimmable

\* Five year warranty on Montclair Light Works Integrated LED light sources.

\*\*Consumer may manually adjust CCT between 2700-3500K depending on lighting needs.

# ARM MOUNTS

Call factory for pricing and availability of custom arm mounts. All 3/4" IPS, except where noted\*.





## FEATURES + BENEFITS

- LED light does not emit damaging UV or Infrared light which can fade artwork over time.
- Available in Plug-in and Directwire options.
- Swivel at shade for maximum light adjustability.
- Diffused for even light spread.
- Line voltage.
- Dimmable with compatible dimmer (not included).
- UL Listed for Dry Location.
- Warranty: Limited 1 Year.
- LED Warranty: 5 years.
- Polyester powder coat finish provides color retention and scratch resistance.
- Finishes available: 41-Black, 57-Bronze Matte, 74-Satin Silver, and 75-Gold Matte.
- Ships within 7-13 business days.
- Made in USA.

# DECORATIVE PICTURE LIGHTS

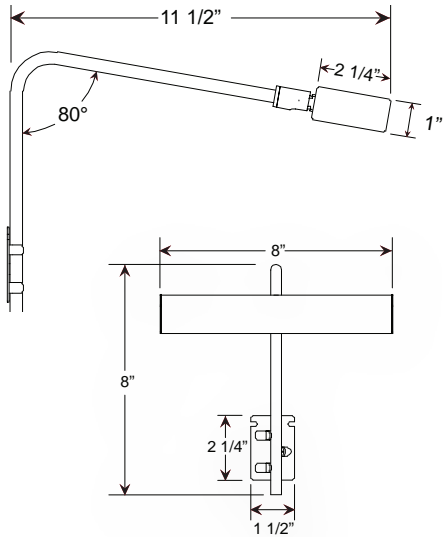
## CPA310

Dims: 8"W x 8"H x 11½"D  
 Integrated 6W, 600 Lumen, 90+ CRI, 2700K Dimmable LED array (incl.).  
 Finish Shown: 75-Gold Matte

**Plug-In Option:** Shown with mounting bracket and cord. Bracket mounts to wall or frame.

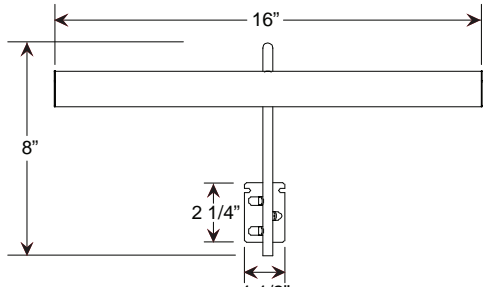


side view for all sizes:



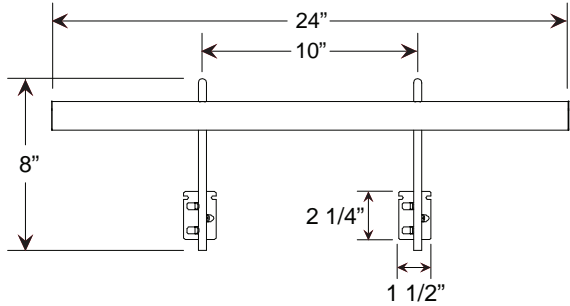
## CPA311

Dims: 16"W x 8"H x 11½"D  
 Integrated 12W, 1200 Lumen, 90+ CRI, 2700K Dimmable LED array (incl.).  
 Finish Shown: 41-Black



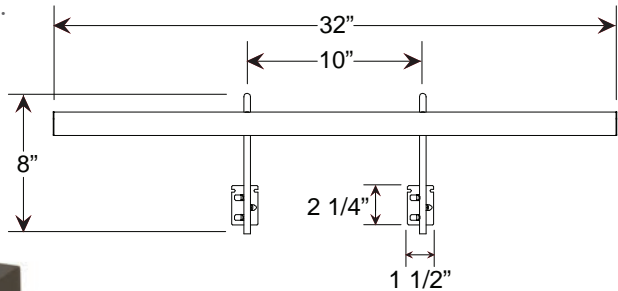
## CPA312

Dims: 24"W x 8"H x 11½"D  
 Integrated 16W, 1600 Lumen, 90+ CRI, 2700K Dimmable LED array (incl.).  
 Finish Shown: 74-Satin Silver



## CPA313

Dims: 32"W x 8"H x 11½"D  
 Integrated 24W, 2400 Lumen, 90+ CRI, 2700K Dimmable LED array (incl.).  
 Finish Shown: 57-Bronze Matte



## DPD310

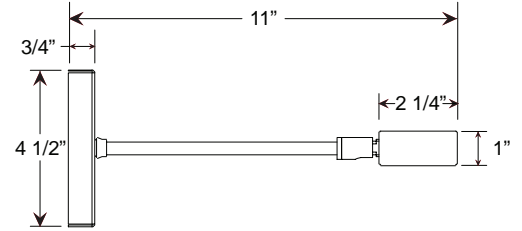
Dims: 8"W x 4½"H x 11"D

Backplate: 4½" x 4½"

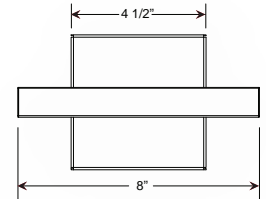
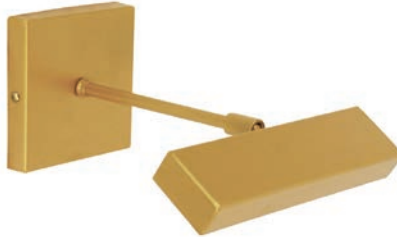
Integrated 6W, 600 Lumen, 90+ CRI, 2700K Dimmable LED array (incl.).

Finish Shown: 75-Gold Matte

side view for all sizes:



**Direct Wire Option:**  
Shown with mounting  
backplate to fit standard  
4" junction box.



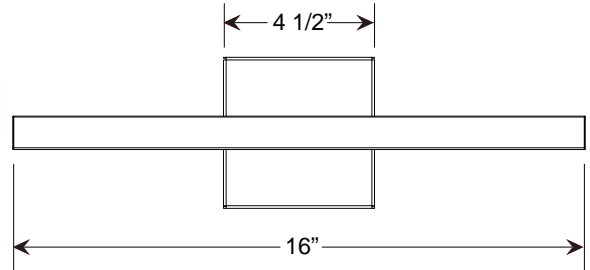
## DPD311

Dims: 16"W x 4½"H x 11"D

Backplate: 4½" x 4½"

Integrated 12W, 1200 Lumen, 90+ CRI, 2700K Dimmable LED array (incl.).

Finish Shown: 74-Satin Silver



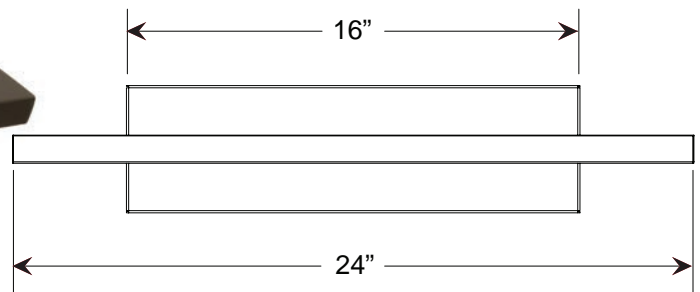
## DPE312

Dims: 24"W x 4½"H x 11"D

Backplate: 4½" x 16"

Integrated 16W, 1600 Lumen, 90+ CRI, 2700K Dimmable LED array (incl.).

Finish Shown: 57-Bronze Matte



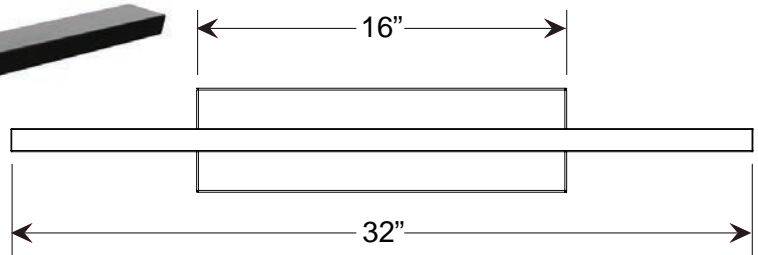
## DPE313

Dims: 32"W x 4½"H x 11"D

Backplate: 4½" x 16"

Integrated 24W, 2400 Lumen, 90+ CRI, 2700K Dimmable LED array (incl.).

Finish Shown: 41-Black







## FEATURES + BENEFITS

- LED light does not emit damaging UV or Infrared light which can fade artwork over time.
- Available in Plug-in and Directwire options.
- Swivel at shade for maximum light adjustability.
- Diffused for even light spread.
- Line voltage.
- Dimmable with compatible dimmer (not included).
- UL Listed for Dry Location.
- Warranty: Limited 1 Year.
- LED Warranty: 5 years.
- Polyester powder coat finish provides color retention and scratch resistance.
- Finishes available: 41-Black, 57-Bronze Matte, 74-Satin Silver, and 75-Gold Matte.
- Ships within 7-13 business days.
- Made in USA.

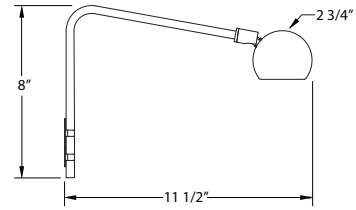
## CPA320

Dims: 8"W x 8"H x 11½"D

Integrated 6W, 600 Lumen, 90+ CRI, 2700K Dimmable LED array (incl.).

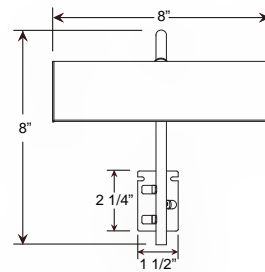
Finish Shown: 57-Bronze Matte

side view for all sizes:



**Plug-In Option:**

Shown with mounting bracket and cord. Bracket mounts to wall or frame.

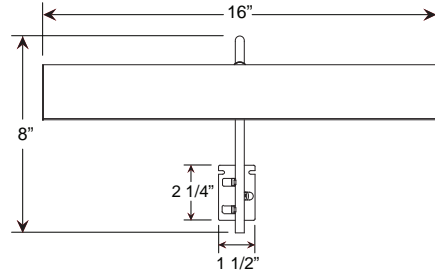


## CPA321

Dims: 16"W x 8"H x 11½"D

Integrated 12W, 1200 Lumen, 90+ CRI, 2700K Dimmable LED array (incl.).

Finish Shown: 41-Black

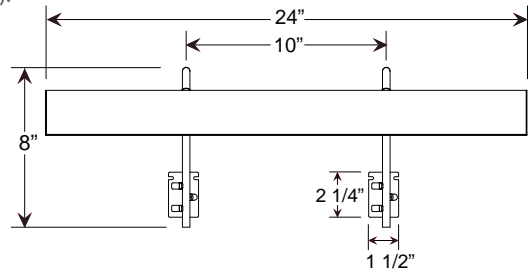


## CPA322

Dims: 24"W x 8"H x 11½"D

Integrated 16W, 1600 Lumen, 90+ CRI, 2700K Dimmable LED array (incl.).

Finish Shown: 74-Satin Silver

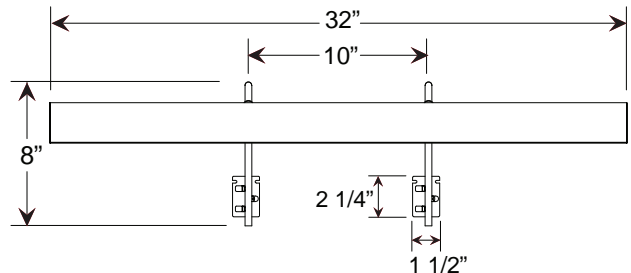


## CPA323

Dims: 32"W x 8"H x 11½"D

Integrated 24W, 2400 Lumen, 90+ CRI, 2700K Dimmable LED array (incl.).

Finish Shown: 75-Gold Matte

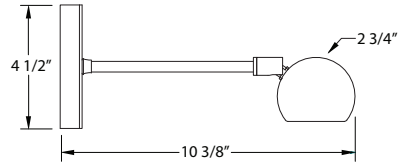


## DPD320

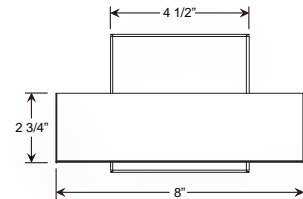
Dims: 8"W x 8"H x 11½"D  
 Backplate: 4½" x 4½"  
 Integrated 6W, 600 Lumen, 90+ CRI, 2700K Dimmable LED array (incl.).  
 Finish Shown: 75-Gold Matte



side view for all sizes:

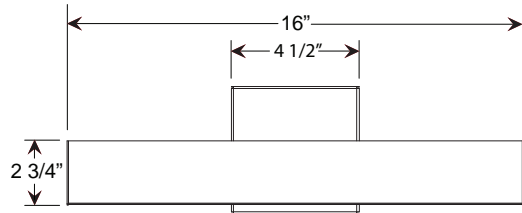


**Direct Wire Option:**  
 Shown with mounting  
 backplate to fit standard  
 4" junction box.



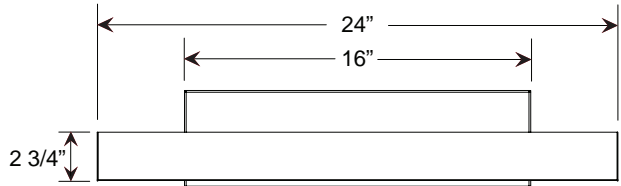
## DPD321

Dims: 16"W x 8"H x 11½"D  
 Backplate: 4½" x 4½"  
 Integrated 12W, 1200 Lumen, 90+ CRI, 2700K Dimmable LED array (incl.).  
 Finish Shown: 74-Satin Silver



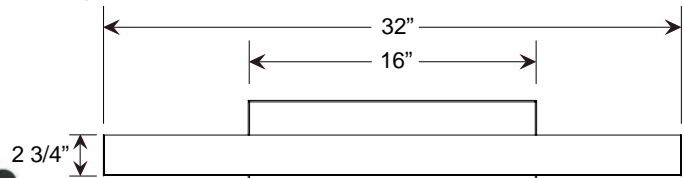
## DPE322

Dims: 24"W x 8"H x 11½"D  
 Backplate: 4½" x 16"  
 Integrated 16W, 1600 Lumen, 90+ CRI, 2700K Dimmable LED array (incl.).  
 Finish Shown: 57-Bronze Matte



## DPE323

Dims: 32"W x 8"H x 11½"D  
 Backplate: 4½" x 16"  
 Integrated 24W, 2400 Lumen, 90+ CRI, 2700K Dimmable LED array (incl.).  
 Finish Shown: 41-Black





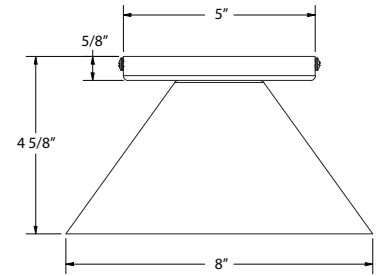
## FEATURES + BENEFITS

- Metal RLM shades are spun from heavy duty aluminum.
- Dimmable with a dimmable bulb and compatible dimmer (not included).
- Polyester powder coat finish provides color retention and scratch resistance.
- White powder coat shade interior for maximum light output.
- UL Listed for Wet Location.
- Warranty: Limited 1 year.
- Available in our standard finishes.
- Ships within 7-13 business days.

## FMD421

Dims: 8"W x 4 $\frac{5}{8}$ "H  
 Max Wattage: 100W Med. Base  
 Finish Shown: 20-Mauve

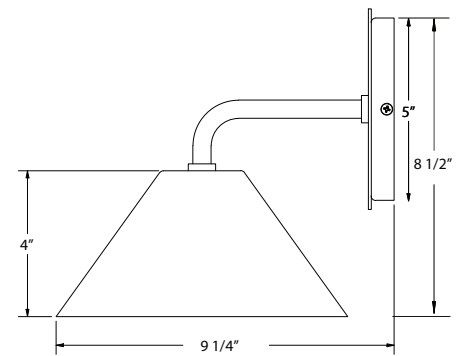
Opt. Accessories (p.10-12):  
 Bulb Shown: L03 (not incl.)  
 L10-Integrated LED.



## SCJ421

Dims: 8"W x 8 $\frac{1}{2}$ "H x 9 $\frac{1}{4}$ "D  
 Back Plate: 5" Diameter  
 Max Wattage: 100W Med. Base  
 Finish Shown: 55-Barn Red

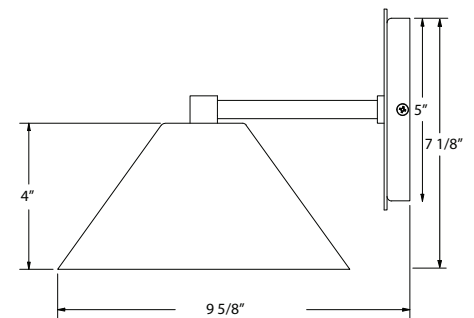
Opt. Accessories (p.10-12):  
 Bulb Shown: L03 (not incl.)  
 L10-Integrated LED



## SCK421

Dims: 8"W x 7 $\frac{1}{8}$ "H x 9 $\frac{1}{8}$ "D  
 Back Plate: 5" Diameter  
 Max Wattage: 100W Med. Base  
 Finish Shown: 40-Slate Gray

Opt. Accessories (p.10-12):  
 Bulb Shown: L03 (not incl.)  
 L10-Integrated LED

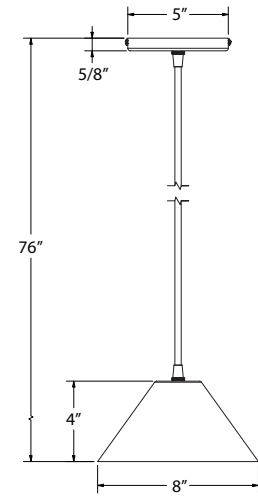


Cord Hung Pendants shown with Optional L03-Bulb or G15-Glass Globe. Stem Hung Pendants shown without.

## PEB421

Dims: 8"W x 76"H  
 Cord: 6' Black SJT  
 Max Wattage: 100W Med. Base  
 Finish Shown: 16-Cream

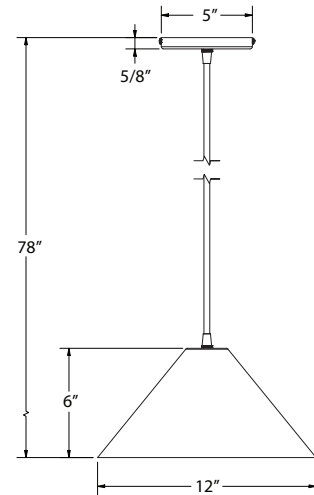
Opt. Accessories (p.10-12):  
 Bulb Shown: L03 (not incl.)  
 L10-Integrated LED  
 White SJT or Fabric Cord



## PEB422

Dims: 12"W x 78"H  
 Cord: 6' Black SJT  
 Max Wattage: 100W Med. Base  
 Finish Shown: 17-Ivory

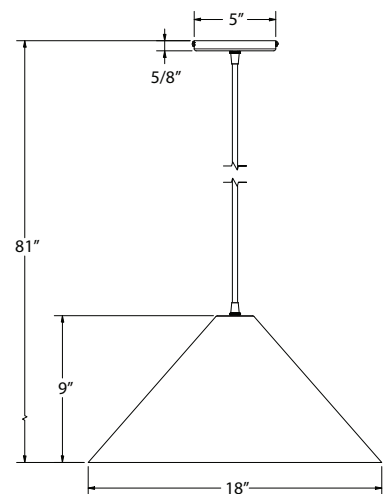
Opt. Accessories (p.10-12):  
 Shown: G15-Opal 8" Glass Globe (not incl.)  
 L12-Integrated LED  
 White SJT or Fabric Cord



## PEB423

Dims: 18"W x 81"H  
 Cord: 6' Black SJT  
 Max Wattage: 100W Med. Base  
 Finish Shown: 19-Terracotta

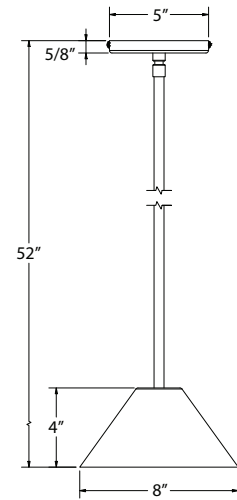
Opt. Accessories (p.10-12):  
 Shown: G15-Opal 8" Glass Globe (not incl.)  
 L13-Integrated LED  
 White SJT or Fabric Cord



## STG421

Dims: 8"W x 52"H max.  
 (Stem lengths included: 1-18", 2-12", and 1-6")  
 Max Wattage: 100W Med. Base  
 Finish Shown: 51-Arch. Bronze

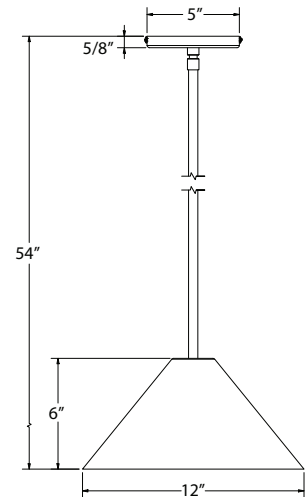
Opt. Accessories (p.10-12):  
 L10-Integrated LED



## STG422

Dims: 12"W x 54"H max.  
 (Stem lengths included: 1-18", 2-12", and 1-6")  
 Max Wattage: 100W Med. Base  
 Finish Shown: 44-White

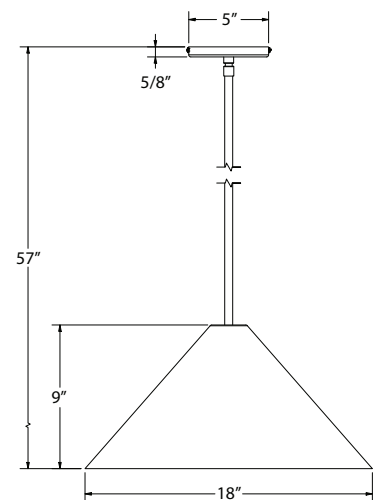
Opt. Accessories (p.10-12):  
 G15-Opal 8" Glass Glob  
 L12-Integrated LED



## STG423

Dims: 18"W x 57"H max.  
 (Stem lengths included: 1-18", 2-12", and 1-6")  
 Max Wattage: 100W Med. Base  
 Finish Shown: 40-Slate Gray

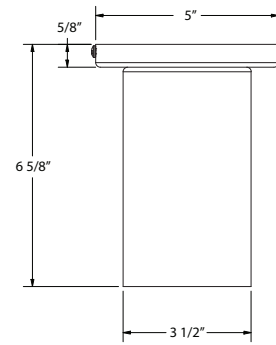
Opt. Accessories (p.10-12):  
 G15-Opal 8" Glass Glob  
 L13-Integrated LED



## FMD425

Dims: 3½"W x 6⅝"H  
 Max Wattage: 100W Med. Base  
 Finish Shown: 22-Fern Green

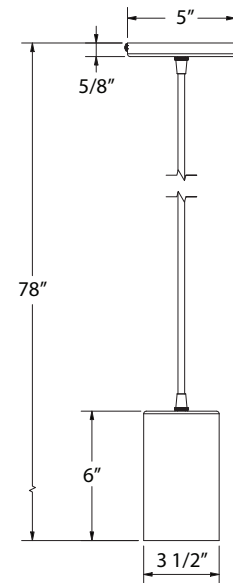
Opt. Accessories (p.10-12):  
 L10-Integrated LED



## PEB425

Dims: 3½"W x 78"H  
 Cord: 6' Black SJT  
 Max Wattage: 100W Med. Base  
 Finish Shown: 20-Mauve

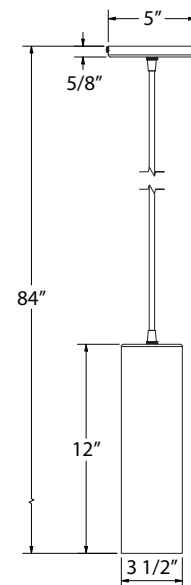
Opt. Accessories (p.10-12):  
 White SJT or Fabric Cord  
 L10-Integrated LED



## PEB426

Dims: 3½"W x 84"H  
 Cord: 6' Black SJT  
 Max Wattage: 100W Med. Base  
 Finish Shown: 40-Slate Gray

Opt. Accessories (p.10-12):  
 White SJT or Fabric Cord  
 L10-Integrated LED

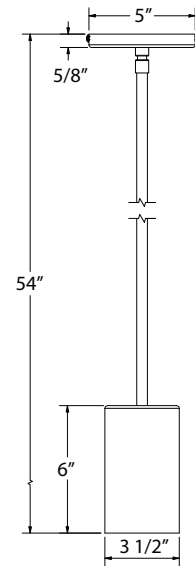




## STG425

Dims: 3½"W x 54"H max.  
 (Stem lengths included: 1-18", 2-12", and 1-6")  
 Max Wattage: 100W Med. Base  
 Finish Shown: 41-Black

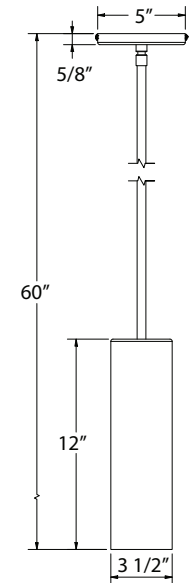
Opt. Accessories (p.10-12):  
 L10-Integrated LED



## STG426

Dims: 3½"W x 60"H max.  
 (Stem lengths included: 1-18", 2-12", and 1-6")  
 Max Wattage: 100W Med. Base  
 Finish Shown: 16-Cream

Opt. Accessories (p.10-12):  
 L10-Integrated LED

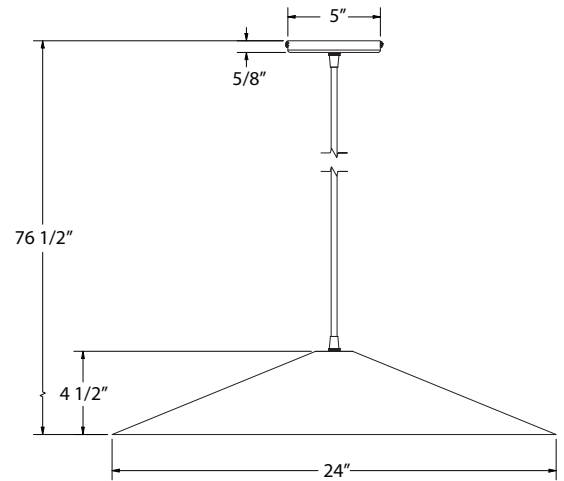


Cord Hung Pendants shown with Optional L03-Bulb or G15-Glass Globe. Stem Hung Pendants shown without.

## PEB429

Dims: 24"W x 76½"H  
Cord: 6' Black SJT  
Max Wattage: 2-40W Cand. Base  
Finish Shown: 20-Mauve

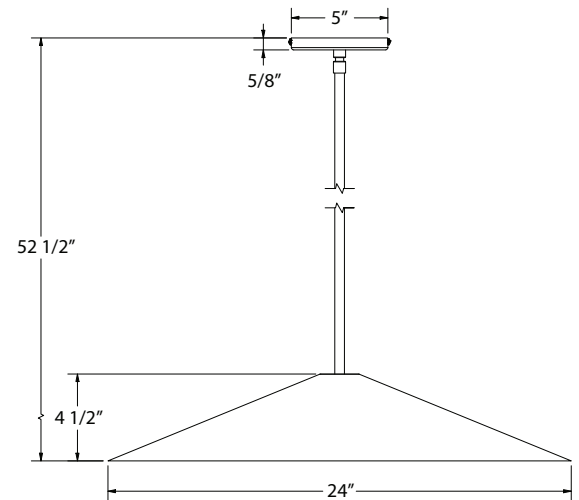
Opt. Accessories (p.10-12):  
Shown: G15-Opal 8" Glass Globe (not incl.)  
L10-Integrated LED  
White SJT or Fabric Cord



## STG429

Dims: 24"W x 52½"H max.  
(Stem lengths included: 1-18", 2-12", and 1-6")  
Max Wattage: 2-40W Cand. Base  
Finish Shown: 16-Cream

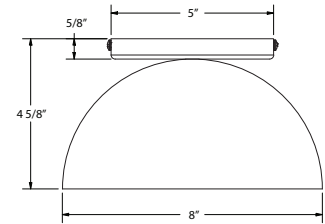
Opt. Accessories (p.10-12):  
G15-Opal 8" Glass Glob  
L10-Integrated LED



## FMD431

Dims: 8"W x 4 $\frac{5}{8}$ "H  
 Canopy: 5" Diameter  
 Max Wattage: 100W Med. Base  
 Finish Shown: 22-Fern Green

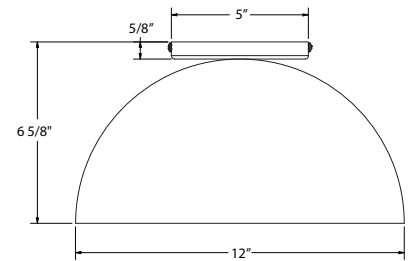
Opt. Accessories (p.10-12):  
 Bulb Shown: L03 (not incl.)  
 L10-Integrated LED



## FMD432

Dims: 12"W x 6 $\frac{5}{8}$ "H  
 Canopy: 5" Diameter  
 Max Wattage: 100W Med. Base  
 Finish Shown: 50-Navy

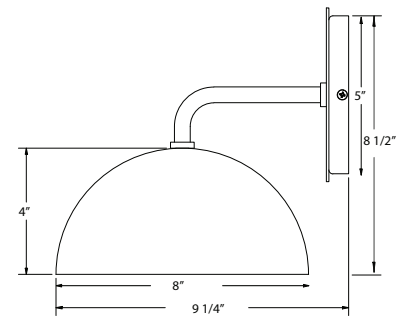
Opt. Accessories (p.10-12):  
 Shown: G15-Opal 8" Glass Globe (not incl.)  
 L12-Integrated LED



## SCJ431

Dims: 8"W x 8 $\frac{1}{2}$ "H x 9 $\frac{1}{4}$ "D  
 Back Plate: 5" Diameter  
 Max Wattage: 100W Med. Base  
 Finish Shown: 21-Bright Yellow

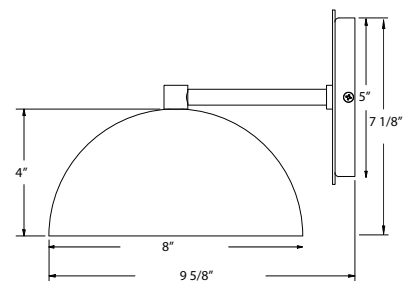
Opt. Accessories (p.10-12):  
 Bulb Shown: L03 (not incl.)  
 L10-Integrated LED



## SCK431

Dims: 8"W x 7 $\frac{1}{8}$ "H x 9 $\frac{5}{8}$ "D  
 Back Plate: 5" Diameter  
 Max Wattage: 100W Med. Base  
 Finish Shown: 20-Mauve

Opt. Accessories (p.10-12):  
 Bulb Shown: L03 (not incl.)  
 L10-Integrated LED

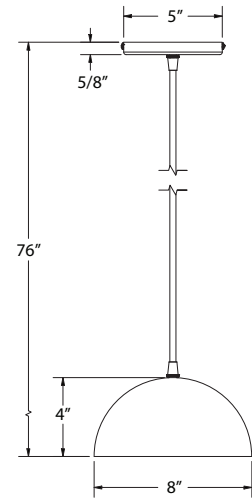


Cord Hung Pendants shown with Optional L03-Bulb or G15-Glass Globe. Stem Hung Pendants shown without.

## PEB431

Dims: 8"W x 76"H  
 Cord: 6' Black SJT  
 Max Wattage: 100W Med. Base  
 Finish Shown: 44-White

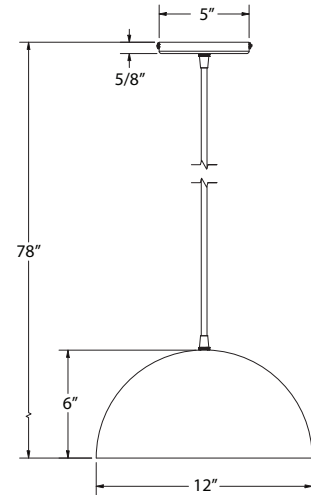
Opt. Accessories (p.10-12):  
 Bulb Shown: L03 (not incl.)  
 L10-Integrated LED  
 White SJT or Fabric Cord



## PEB432

Dims: 12"W x 78"H  
 Cord: 6' Black SJT  
 Max Wattage: 100W Med. Base  
 Finish Shown: 51-Arch. Bronze

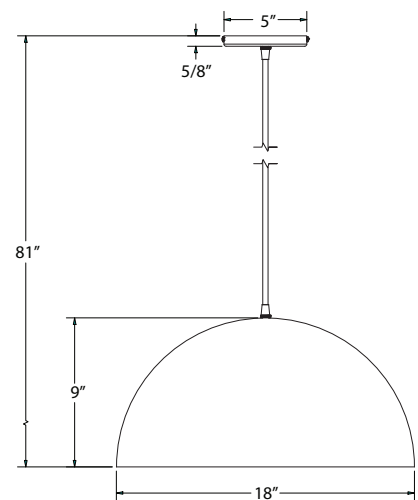
Opt. Accessories (p.10-12):  
 Shown: G15-Opal 8" Glass Globe (not incl.)  
 L12-Integrated LED  
 White SJT or Fabric Cord



## PEB433

Dims: 18"W x 81"H  
 Cord: 6' Black SJT  
 Max Wattage: 100W Med. Base  
 Finish Shown: 54-Light Blue

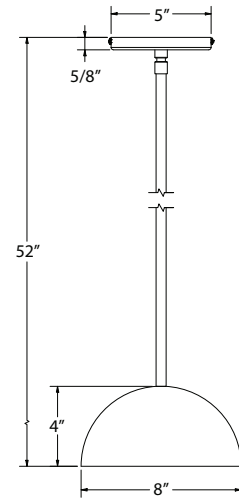
Opt. Accessories (p.10-12):  
 Shown: G15-Opal 8" Glass Globe (not incl.)  
 L13-Integrated LED  
 White SJT or Fabric Cord



## STG431

Dims: 8"W x 52"H max.  
 (Stem lengths included: 1-18", 2-12", and 1-6")  
 Max Wattage: 100W Med. Base  
 Finish Shown: 48-Sea Green

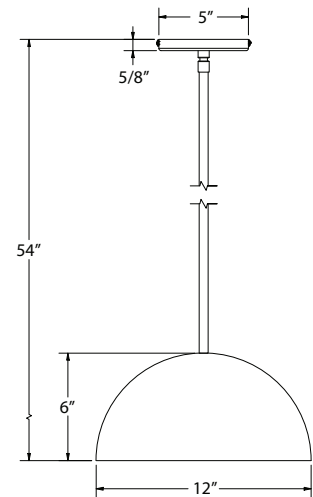
Opt. Accessories (p.10-12):  
 L10-Integrated LED



## STG432

Dims: 12"W x 54"H max.  
 (Stem lengths included: 1-18", 2-12", and 1-6")  
 Max Wattage: 100W Med. Base  
 Finish Shown: 50-Navy

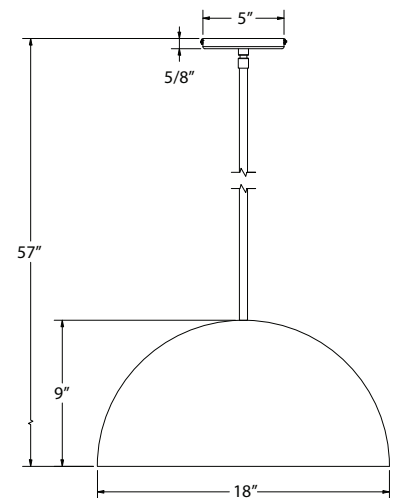
Opt. Accessories (p.10-12):  
 G15-Opal 8" Glass Glob  
 L12-Integrated LED



## STG433

Dims: 18"W x 57"H max.  
 (Stem lengths included: 1-18", 2-12", and 1-6")  
 Max Wattage: 100W Med. Base  
 Finish Shown: 44-White

Opt. Accessories (p.10-12):  
 G15-Opal 8" Glass Glob  
 L13-Integrated LED

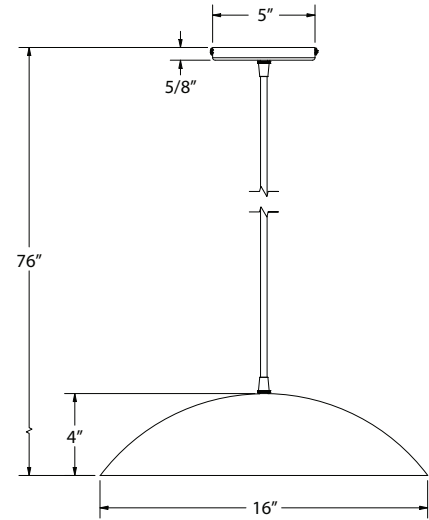


Cord Hung Pendants shown with Optional L03-Bulb or G15-Glass Globe. Stem Hung Pendants shown without.

## PEB438

Dims: 16"W x 76"H  
Cord: 6' Black SJT  
Max Wattage: 2-40W Cand. Base  
Finish Shown: 19-Terracotta

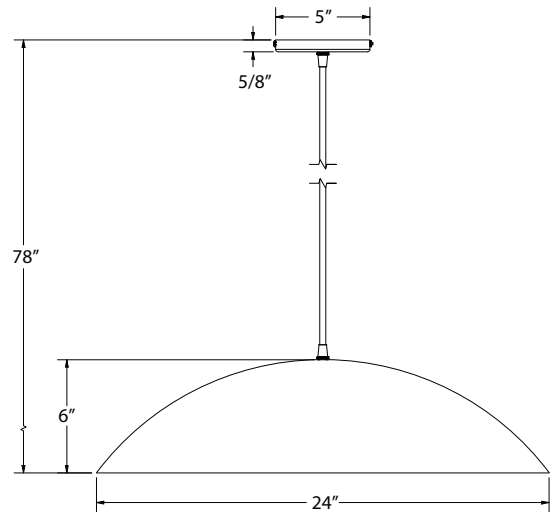
Opt. Accessories (p.10-12):  
Shown: G15-Opal 8" Glass Globe (not incl.)  
L13-Integrated LED  
White SJT or Fabric Cord



## PEB439

Dims: 24"W x 78"H  
Cord: 6' Black SJT  
Max Wattage: 2-40W Cand. Base  
Finish Shown: 22-Fern Green

Opt. Accessories (p.10-12):  
Shown: G15-Opal 8" Glass Globe (not incl.)  
L13-Integrated LED  
White SJT or Fabric Cord



## STG438

Dims: 16"W x 52"H max.

(Stem lengths included: 1-18", 2-12", and 1-6")

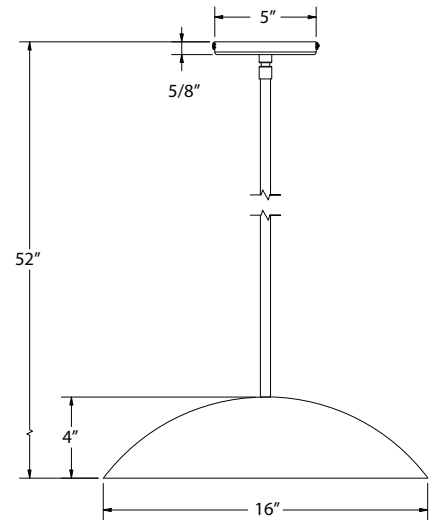
Max Wattage: 2-40W Cand. Base

Finish Shown: 16-Cream

Opt. Accessories (p.10-12):

G15-Opal 8" Glass Glob

L13-Integrated LED



## STG439

Dims: 24"W x 54"H max.

(Stem lengths included: 1-18", 2-12", and 1-6")

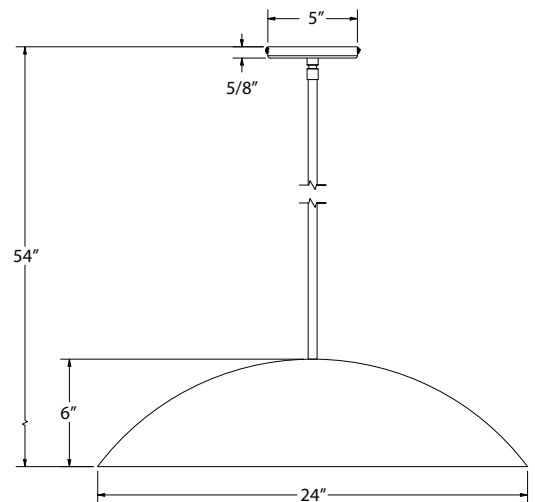
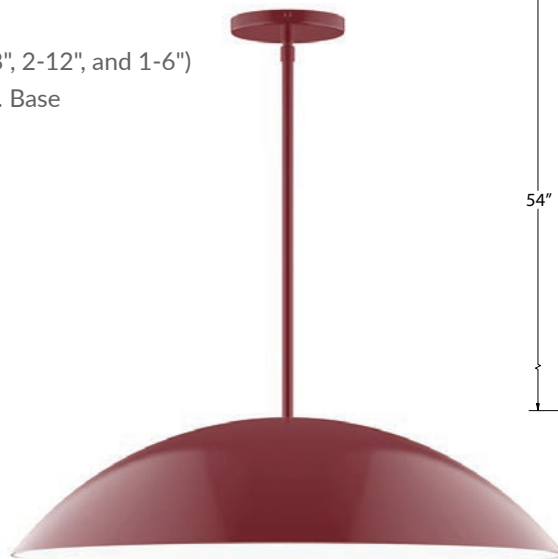
Max Wattage: 2-40W Cand. Base

Finish Shown: 55-Barn Red

Opt. Accessories (p.10-12):

G15-Opal 8" Glass Glob

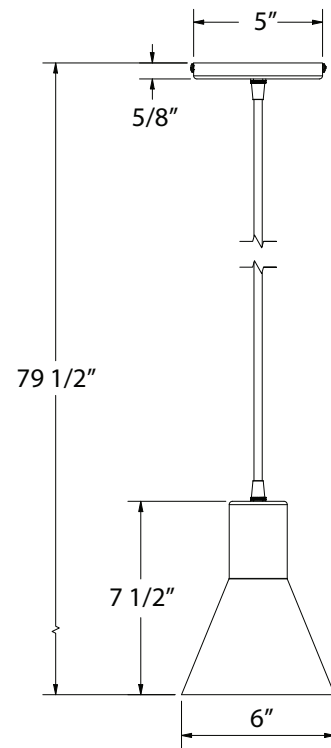
L13-Integrated LED



## PEB436

Dims: 6"W x 79½"H  
Cord: 6' Black SJT  
Max Wattage: 100W Med. Base  
Finish Shown: 50-Navy

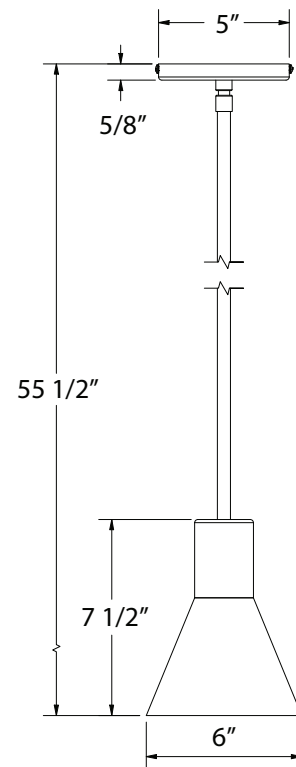
Opt. Accessories (p.10-12):  
L10-Integrated LED  
White SJT or Fabric Cord



## STG436

Dims: 6"W x 55½"H max.  
(Stem lengths included: 1-18", 2-12", and 1-6")  
Max Wattage: 100W Med. Base  
Finish Shown: 21-Bright Yellow

Opt. Accessories (p.10-12):  
L10-Integrated LED







## FEATURES + BENEFITS

- Metal RLM shades are spun from heavy duty aluminum.
- USB port in base for device charging convenience.
- Dimmable with a dimmable bulb and compatible dimmer (not included).
- Polyester powder coat finish provides color retention and scratch resistance.
- White powder coat shade interior for maximum light output.
- UL Listed for Wet Location.
- Warranty: Limited 1 year.
- Available in our standard finishes.
- Ships within 7-13 business days.

## TLC415

Dims: 7"W x 23"H x 14¼"D

Cord: 8' Clear

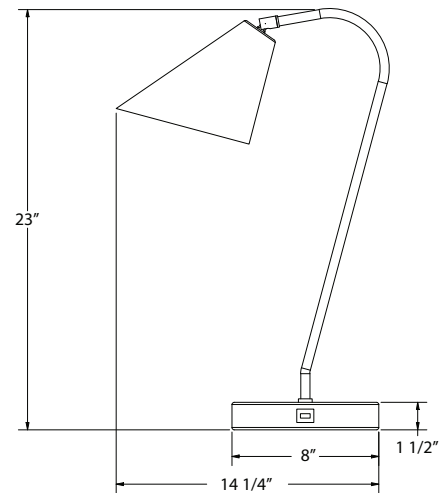
Base: 8" with Full Range Dimmer and USB Port

Max Wattage: 100W Med. Base

Finish Shown: 40-Slate Gray

Opt. Accessories (p.10-12):

L10-Integrated LED



## TLC417

Dims: 6"W x 23"H x 11¼"D

Cord: 8' Clear

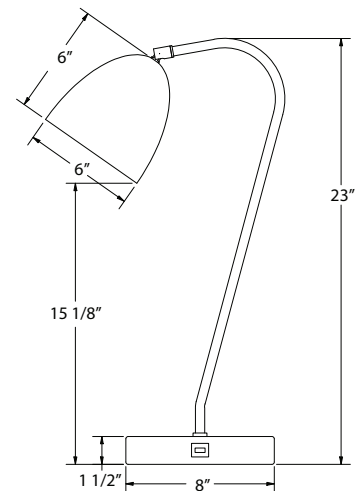
Base: 8" with Full Range Dimmer and USB Port

Max Wattage: 100W Med. Base

Finish Shown: 20-Mauve

Opt. Accessories (p.10-12):

L10-Integrated LED



## TLCX445

Dims: 10"W x 23"H x 13"D

Cord: 8' Clear

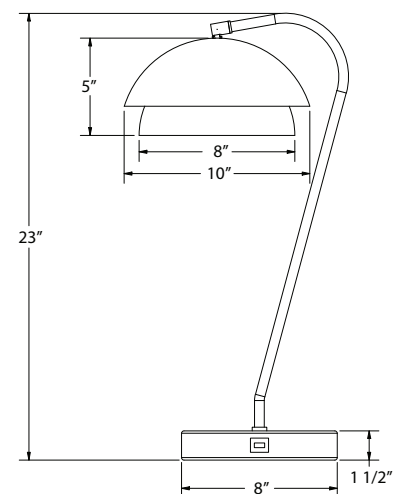
Base: 8" with Full Range Dimmer and USB Port

Max Wattage: 100W Med. Base

Finish Shown: 41-Black

Opt. Accessories (p.10-12):

L10-Integrated LED



## TLD425

Dims: 3½"W x 21⅞"H x 9½"D

Cord: 8' Clear

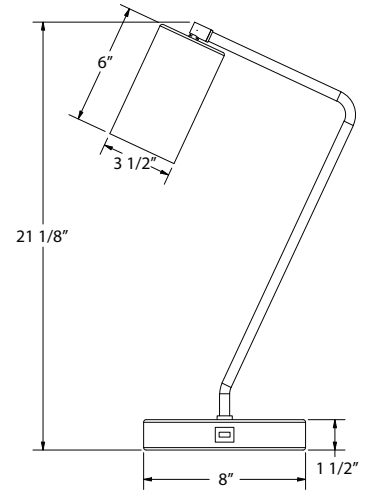
Base: 8" with Full Range Dimmer and USB Port

Max Wattage: 100W Med. Base

Finish Shown: 16-Cream

Opt. Accessories (p.10-12):

L10-Integrated LED



## TLD436

Dims: 6"W x 23¼"H x 12½"D

Cord: 8' Clear

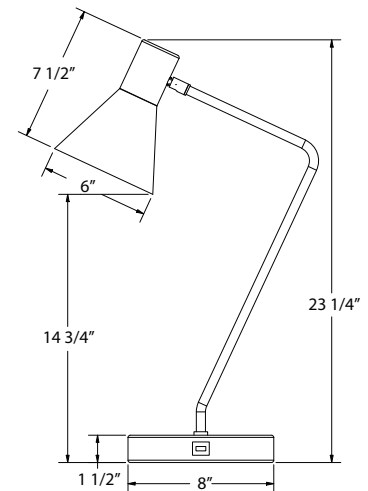
Base: 8" with Full Range Dimmer and USB Port

Max Wattage: 100W Med. Base

Finish Shown: 55-Barn Red

Opt. Accessories (p.10-12):

L10-Integrated LED





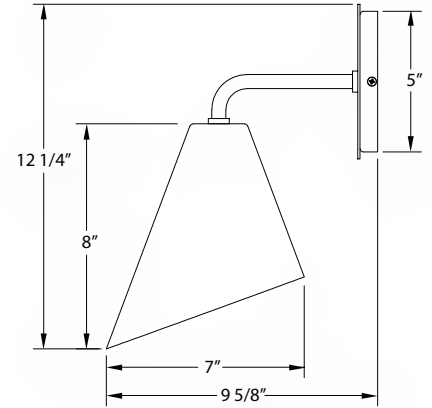
## FEATURES + BENEFITS

- Metal RLM shades are spun from heavy duty aluminum.
- Dimmable with a dimmable bulb and compatible dimmer (not included).
- Polyester powder coat finish provides color retention and scratch resistance.
- White powder coat shade interior for maximum light output.
- UL Listed for Wet Location.
- Warranty: Limited 1 year.
- Available in our standard finishes.
- Ships within 7-13 business days.

## SCJ415

Dims: 7"W x 12 1/4"H x 9 5/8"D  
 Back Plate: 5" Diameter  
 Max Wattage: 100W Med. Base  
 Finish Shown: 44-White

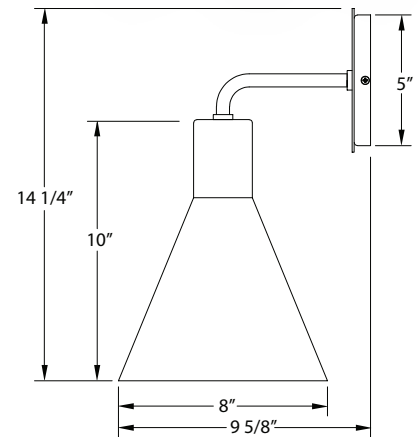
Opt. Accessories (p.10-12):  
 L10-Integrated LED



## SCJ416

Dims: 8"W x 14 1/4"H x 9 5/8"D  
 Back Plate: 5" Diameter  
 Max Wattage: 100W Med. Base  
 Finish Shown: 40-Slate Gray

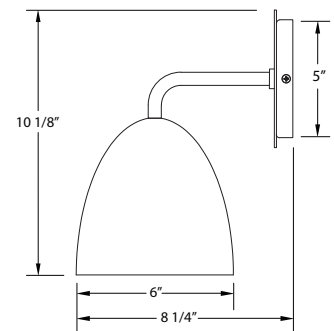
Opt. Accessories (p.10-12):  
 L10-Integrated LED



## SCJ417

Dims: 6"W x 10 3/8"H x 8 3/4"D  
 Back Plate: 5" Diameter  
 Max Wattage: 100W Med. Base  
 Finish Shown: 51-Architectural Bronze

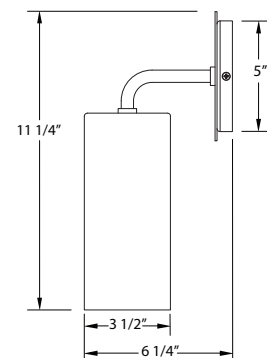
Opt. Accessories (p.10-12):  
 L10-Integrated LED



## SCJ418

Dims: 3 1/2"W x 11 1/4"H x 6 1/4"D  
 Back Plate: 5" Diameter  
 Max Wattage: 100W Med. Base  
 Finish Shown: 50-Navy

Opt. Accessories (p.10-12):  
 L10-Integrated LED

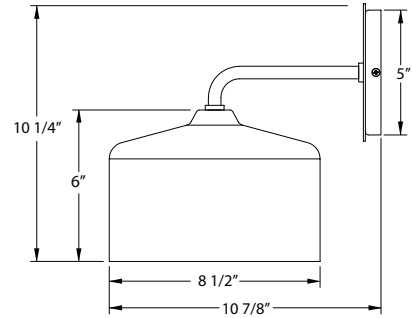


# J-SERIES

## SCJ419

Dims: 8½"W x 10¼"H x 10⅞"D  
Back Plate: 5" Diameter  
Max Wattage: 100W Med. Base  
Finish Shown: 51-Architectural Bronze

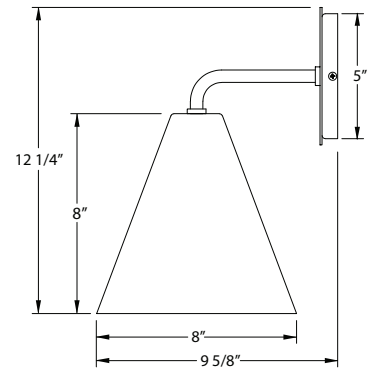
Opt. Accessories (p.10-12):  
L10-Integrated LED



## SCJ420

Dims: 8"W x 12¼"H x 9⅝"D  
Back Plate: 5" Diameter  
Max Wattage: 100W Med. Base  
Finish Shown: 55-Barn Red

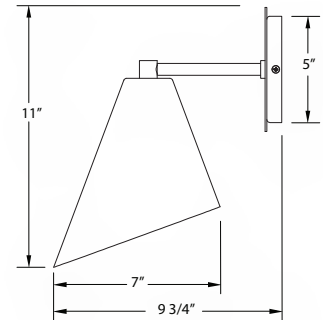
Opt. Accessories (p.10-12):  
L10-Integrated LED



## SCK415

Dims: 7"W x 11"H x 9¾"D  
Back Plate: 5" Diameter  
Max Wattage: 100W Med. Base  
Finish Shown: 41-Black

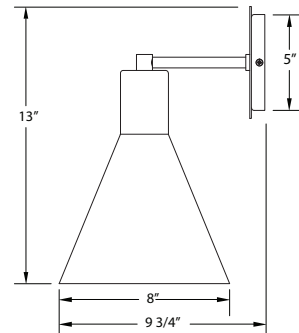
Opt. Accessories (p.10-12):  
L10-Integrated LED



## SCK416

Dims: 8"W x 13"H x 9¾"D  
Back Plate: 5" Diameter  
Max Wattage: 100W Med. Base  
Finish Shown: 42-Forest Green

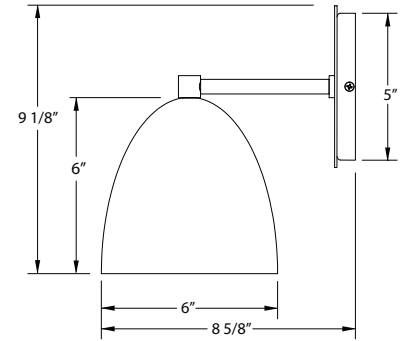
Opt. Accessories (p.10-12):  
L10-Integrated LED



## SCK417

Dims: 6"W x 9 $\frac{3}{8}$ "H x 8 $\frac{5}{8}$ "D  
 Back Plate: 5" Diameter  
 Max Wattage: 100W Med. Base  
 Finish Shown: 54-Light Blue

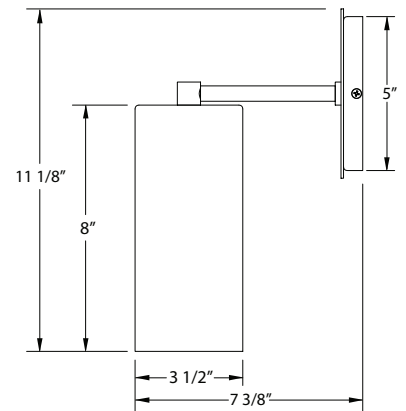
Opt. Accessories (p.10-12):  
 L10-Integrated LED



## SCK418

Dims: 3 $\frac{1}{2}$ "W x 11 $\frac{1}{8}$ "H x 7 $\frac{3}{8}$ "D  
 Back Plate: 5" Diameter  
 Max Wattage: 100W Med. Base  
 Finish Shown: 50-Navy

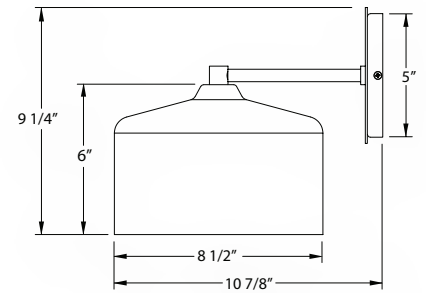
Opt. Accessories (p.10-12):  
 L10-Integrated LED



## SCK419

Dims: 8 $\frac{1}{2}$ "W x 9 $\frac{3}{4}$ "H x 10 $\frac{7}{8}$ "D  
 Back Plate: 5" Diameter  
 Max Wattage: 100W Med. Base  
 Finish Shown: 40-Slate Gray

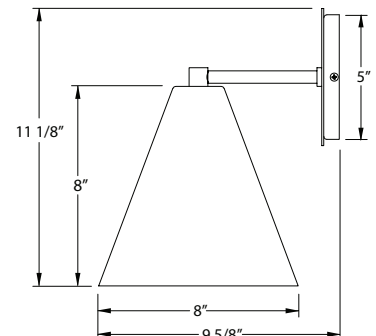
Opt. Accessories (p.10-12):  
 L10-Integrated LED



## SCK420

Dims: 8"W x 11 $\frac{1}{8}$ "H x 9 $\frac{5}{8}$ "D  
 Back Plate: 5" Diameter  
 Max Wattage: 100W Med. Base  
 Finish Shown: 44-White

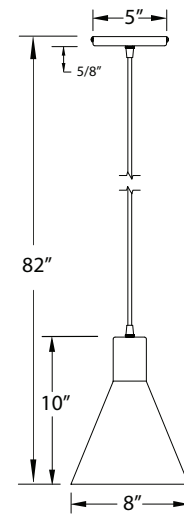
Opt. Accessories (p.10-12):  
 L10-Integrated LED



## PEB416

Dims: 8"W x 82"H  
Cord: 6' Black SJT  
Max Wattage: 100W Med. Base  
Finish Shown: 40-Slate Gray

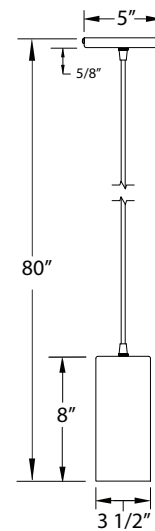
Opt. Accessories (p.10-12):  
L10-Integrated LED  
White SJT or Fabric Cord



## PEB418

Dims: 3½"W x 80"H  
Cord: 6' Black SJT  
Max Wattage: 100W Med. Base  
Finish Shown: 44-White Gloss

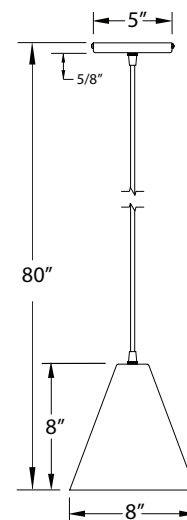
Opt. Accessories (p.10-12):  
L10-Integrated LED  
White SJT or Fabric Cord



## PEB420

Dims: 8"W x 80"H  
Cord: 6' Black SJT  
Max Wattage: 100W Med. Base  
Finish Shown: 48-Sea Green

Opt. Accessories (p.10-12):  
L10-Integrated LED  
White SJT or Fabric Cord

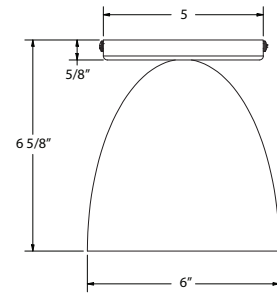




## FMD417

Dims: 6"W x 6<sup>5</sup>/<sub>8</sub>"H  
 Max Wattage: 100W Med. Base  
 Finish Shown: 54-Light Blue

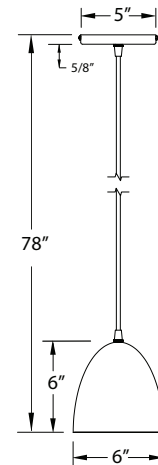
Opt. Accessories (p.10-12):  
 L10-Integrated LED



## PEB417

Dims: 6"W x 78"H  
 Cord: 6' Black SJT  
 Max Wattage: 100W Med. Base  
 Finish Shown: 54-Light Blue

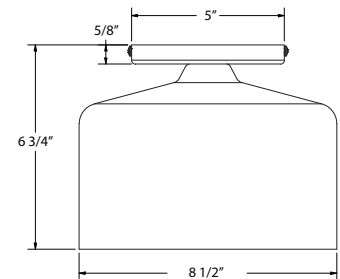
Opt. Accessories (p.10-12):  
 L10-Integrated LED  
 White SJT or Fabric Cord



## FMD419

Dims: 8<sup>1</sup>/<sub>2</sub>"W x 6<sup>3</sup>/<sub>4</sub>"H  
 Max Wattage: 100W Med. Base  
 Finish Shown: 50-Navy

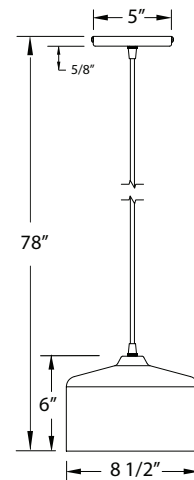
Opt. Accessories (p.10-12):  
 L10-Integrated LED



## PEB419

Dims: 8<sup>1</sup>/<sub>2</sub>"W x 78"H  
 Cord: 6' Black SJT  
 Max Wattage: 100W Med. Base  
 Finish Shown: 50-Navy

Opt. Accessories (p.10-12):  
 L10-Integrated LED  
 White SJT or Fabric Cord





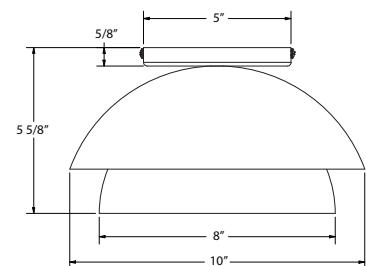
## FEATURES + BENEFITS

- Metal RLM shades are spun from heavy duty aluminum.
- Dimmable with a dimmable bulb and compatible dimmer (not included).
- Polyester powder coat finish provides color retention and scratch resistance.
- White powder coat shade interi or for maximum light output.
- UL Listed for Dry Location.
- Warranty: Limited 1 year.
- Available in our standard finishes.
- Ships within 7-13 business days.

## FMDX445

Dims: 10"W x 5 $\frac{5}{8}$ "H  
 Max Wattage: 100W Med. Base  
 Finish Shown: 22-Fern Green

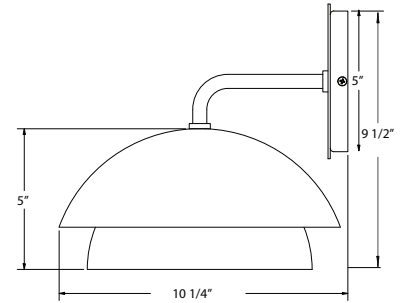
Opt. Accessories (p.10-12):  
 Bulb Shown: L03 (not incl.)  
 L10-Integrated LED



## SCJX445

Dims: 10"W x 9½"H x 10¼"D  
 Back Plate: 5" Diameter  
 Max Wattage: 100W Med. Base  
 Finish Shown: 21-Bright Yellow

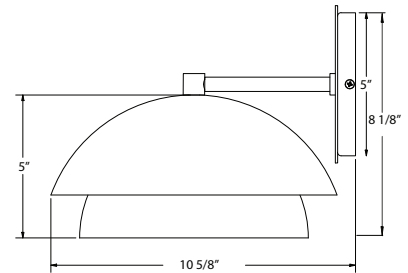
Opt. Accessories (p.10-12):  
 Bulb Shown: L03 (not incl.)  
 L10-Integrated LED



## SCKX445

Dims: 10"W x 8⅝"H x 10⅝"D  
 Back Plate: 5" Diameter  
 Max Wattage: 100W Med. Base  
 Finish Shown: 50-Navy

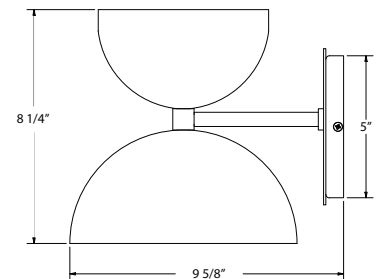
Opt. Accessories (p.10-12):  
 Bulb Shown: L03 (not incl.)  
 L10-Integrated LED



## SCIX449

Dims: 8"W x 8¼"H x 9⅝"D  
 Back Plate: 5" Diameter  
 Max Wattage: 100W Med. Base  
 Finish Shown: 42-Forest Green

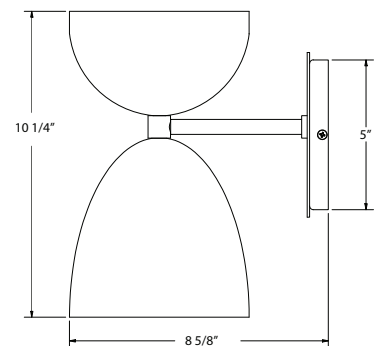
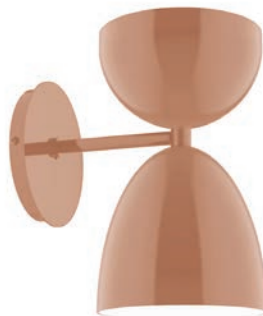
Opt. Accessories (p.10-12):  
 Bulb Shown: L03 (not incl.)  
 L10-Integrated LED



## SCIX448

Dims: 6"W x 10¼"H x 8⅝"D  
 Back Plate: 5" Diameter  
 Max Wattage: 100W Med. Base  
 Finish Shown: 19-Terracotta

Opt. Accessories (p.10-12):  
 L10-Integrated LED

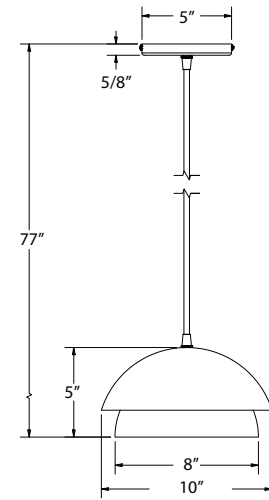


Cord Hung Pendants shown with Optional L03-Bulb or G15-Glass Globe. Stem Hung Pendants shown without.

## PEBX445

Dims: 8"W x 76"H  
 Cord: 6' Black SJT  
 Max Wattage: 100W Med. Base  
 Finish Shown: 17-Ivory

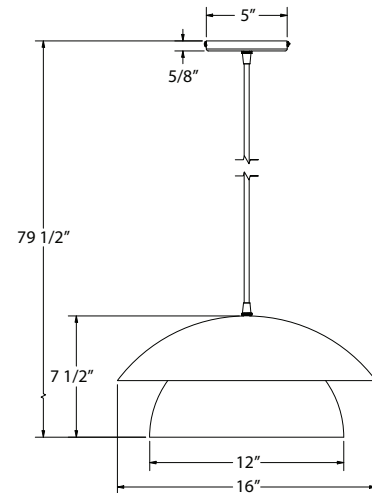
Opt. Accessories (p.10-12):  
 Bulb Shown: L03 (not incl.)  
 L10-Integrated LED.  
 White SJT or Fabric Cord



## PEBX446

Dims: 12"W x 78"H  
 Cord: 6' Black SJT  
 Max Wattage: 100W Med. Base  
 Finish Shown: 20-Mauve

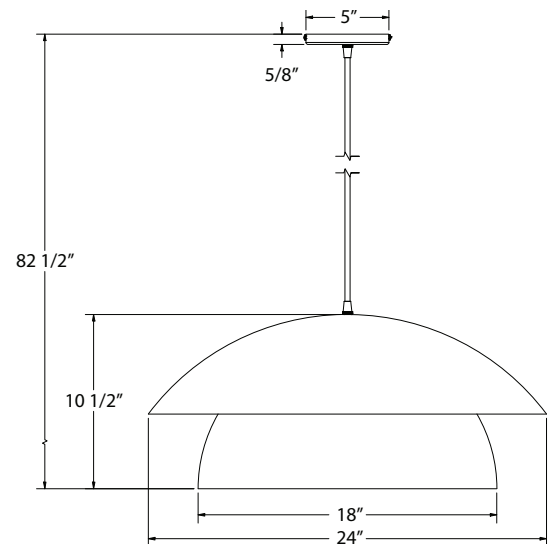
Opt. Accessories (p.10-12):  
 Shown: G15-Opal 8" Glass Globe (not incl.)  
 L12-Integrated LED  
 White SJT or Fabric Cord



## PEBX447

Dims: 18"W x 81"H  
 Cord: 6' Black SJT  
 Max Wattage: 100W Med. Base  
 Finish Shown: 40-Slate Gray

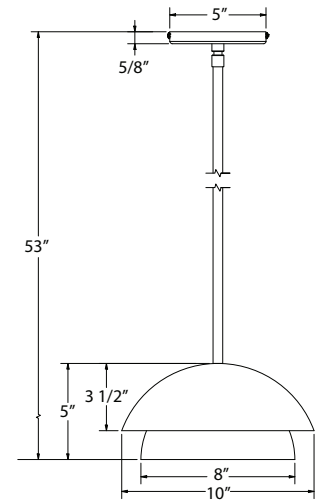
Opt. Accessories (p.10-12):  
 Shown: G15-Opal 8" Glass Globe (not incl.)  
 L13-Integrated LED  
 White SJT or Fabric Cord



## STGX445

Dims: 8"W x 52"H max.  
 (Stem lengths included: 1-18", 2-12", and 1-6")  
 Max Wattage: 100W Med. Base  
 Finish Shown: 41-Black

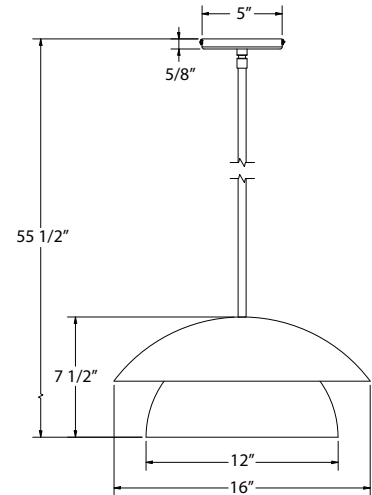
Opt. Accessories (p.10-12):  
 L10-Integrated LED



## STGX446

Dims: 12"W x 54"H max.  
 (Stem lengths included: 1-18", 2-12", and 1-6")  
 Max Wattage: 100W Med. Base  
 Finish Shown: 55-Barn Red

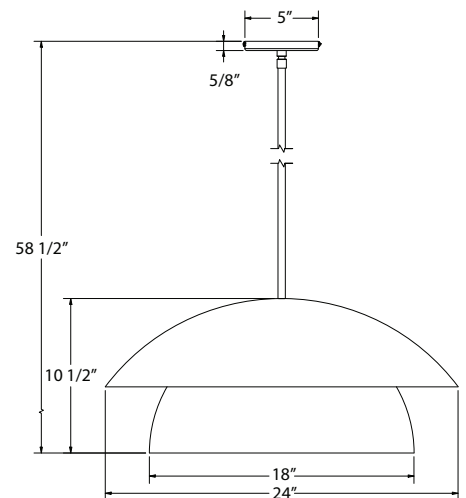
Opt. Accessories (p.10-12):  
 G15-Opal 8" Glass Glob  
 L12-Integrated LED



## STGX447

Dims: 18"W x 57"H max.  
 (Stem lengths included: 1-18", 2-12", and 1-6")  
 Max Wattage: 100W Med. Base  
 Finish Shown: 44-White

Opt. Accessories (p.10-12):  
 G15-Opal 8" Glass Glob  
 L13-Integrated LED



# SCHOOLHOUSE



## FEATURES + BENEFITS

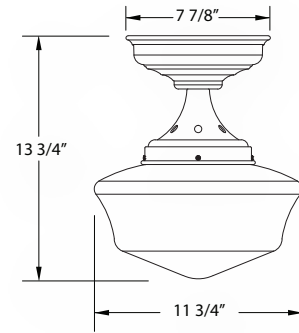
- Opal glass Schoolhouse shade, made in the USA.
- Dimmable with a dimmable bulb and compatible dimmer (not included).
- Polyester powder coat finish provides color retention and scratch resistance.
- UL Listed for Dry Location.
- Warranty: Limited 1 Year.
- Made in USA.
- Available in our standard finishes.
- Ships within 7-13 business days.
- Stem lengths offered for stem hung pendants: 12" standard, 24", 30", 36", 48"
- Optional Accessories shown on pages 10-12.



**SCL413**  
Uno Sconce with 8" Schoolhouse Shade.  
Details on page 58.

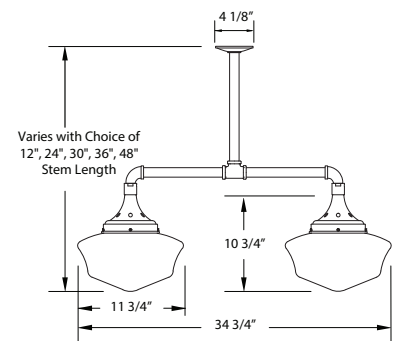
## FMA021

Dims: 11 $\frac{3}{4}$ "W x 13 $\frac{3}{4}$ "H  
 Max Wattage: 100W Med. Base  
 Finish Shown: 41-Black



## MSD021

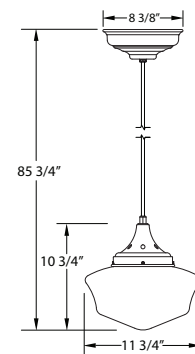
Dims: 34 $\frac{3}{4}$ "W x Choice of Height  
 (25 $\frac{1}{2}$ ", 37 $\frac{1}{2}$ ", 43 $\frac{1}{2}$ ", 49 $\frac{1}{2}$ ", 61 $\frac{1}{2}$ ")  
 Max Wattage: 100W Med. Base  
 Finish Shown: 51-Architectural Bronze  
 Opt. Accessories (p.10-12):  
 B01-Decorative Ceiling Canopy  
 B02-Sloped Ceiling Mount



## PEF021

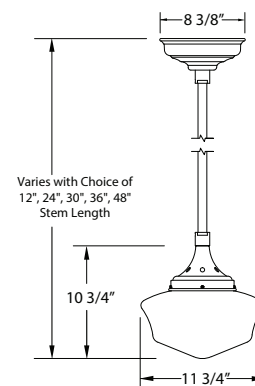
Dims: 11 $\frac{3}{4}$ "W x 84 $\frac{3}{4}$ "H  
 Cord: 6' Black SJT  
 Max Wattage: 100W Med. Base  
 Finish Shown: 42-Forest Green

Opt. Accessories (p.10-12):  
 White SJT or Fabric Cord



## STC021

Dims: 11 $\frac{3}{4}$ "W x Choice of Height  
 (23 $\frac{3}{4}$ ", 35 $\frac{3}{4}$ ", 41 $\frac{3}{4}$ ", 47 $\frac{3}{4}$ ", 59 $\frac{3}{4}$ ")  
 Max Wattage: 100W Med. Base  
 Finish Shown: 55-Barn Red





## FEATURES + BENEFITS

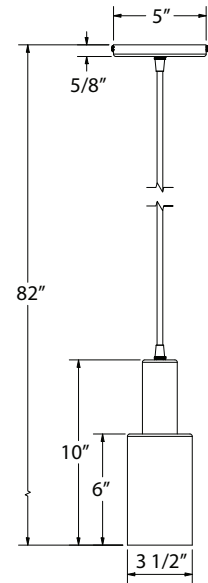
- Metal RLM shades are spun from heavy duty aluminum.
- Dimmable with a dimmable bulb and compatible dimmer (not included).
- Polyester powder coat finish provides color retention and scratch resistance.
- White powder coat shade interi or for maximum light output.
- UL Listed for Wet Location.
- Warranty: Limited 1 year.
- Available in our standard finishes.
- Ships within 7-13 business days.



## PEBX450

Dims: 3½"W x 82"H  
 Cord: 6' Black SJT  
 Max Wattage: 100W Med. Base  
 Finish Shown: 42-Forest Green

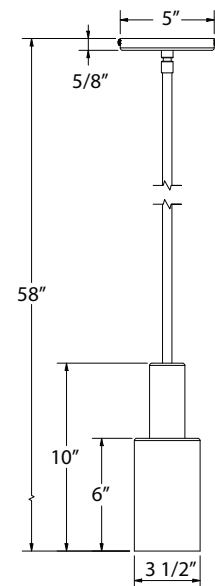
Opt. Accessories (p.10-12):  
 L10-Integrated LED



## STGX450

Dims: 3½"W x 58"H max.  
 (Stem lengths included: 1-18", 2-12", and 1-6")  
 Max Wattage: 100W Med. Base  
 Finish Shown: 19-Terracotta

Opt. Accessories (p.10-12):  
 L10-Integrated LED

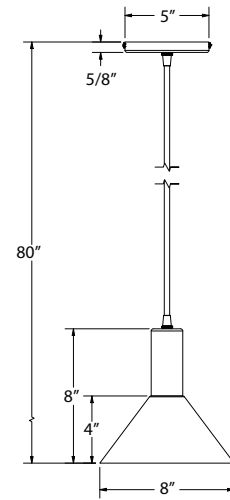


Cord Hung Pendants shown with Optional L03-Bulb or G15-Glass Globe. Stem Hung Pendants shown without.

## PEBX451

Dims: 8"W x 80"H  
 Cord: 6' Black SJT  
 Max Wattage: 100W Med. Base  
 Finish Shown: 40-Slate Gray

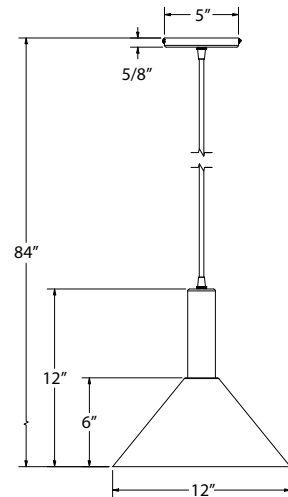
Opt. Accessories (p.10-12):  
 Bulb Shown: L03, not included  
 L10-Integrated LED.  
 White SJT or Fabric Cord



## PEBX466

Dims: 12"W x 84"H  
 Cord: 6' Black SJT  
 Max Wattage: 100W Med. Base  
 Finish Shown: 17-Ivory

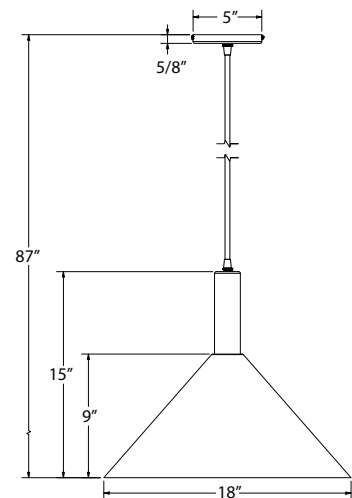
Opt. Accessories (p.10-12):  
 Shown: G15-Opal 8" Glass Globe (not incl.)  
 L12-Integrated LED  
 White SJT or Fabric Cord



## PEBX467

Dims: 18"W x 87"H  
 Cord: 6' Black SJT  
 Max Wattage: 100W Med. Base  
 Finish Shown: 41-Black

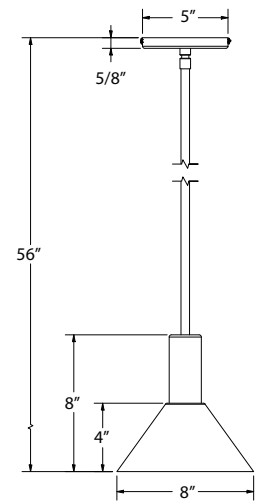
Opt. Accessories (p.10-12):  
 Shown: G15-Opal 8" Glass Globe (not incl.)  
 L13-Integrated LED  
 White SJT or Fabric Cord



## STGX451

Dims: 8"W x 56"H max.  
 (Stem lengths included: 1-18", 2-12", and 1-6")  
 Max Wattage: 100W Med. Base  
 Finish Shown: 17-Ivory

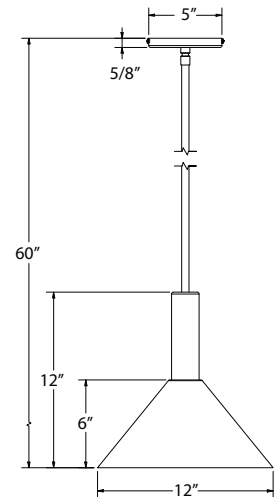
Opt. Accessories (p.10-12):  
 L10-Integrated LED.



## STGX466

Dims: 12"W x 60"H max.  
 (Stem lengths included: 1-18", 2-12", and 1-6")  
 Max Wattage: 100W Med. Base  
 Finish Shown: 16-Cream

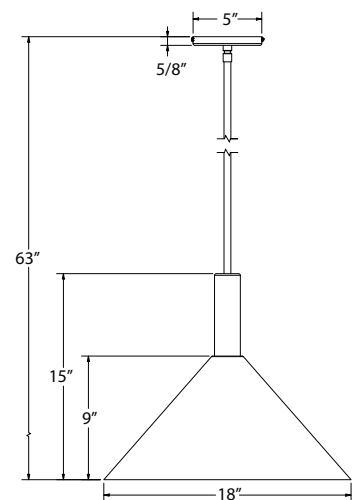
Opt. Accessories (p.10-12):  
 G15-Opal 8" Glass Glob  
 L12-Integrated LED



## STGX467

Dims: 18"W x 63"H max.  
 (Stem lengths included: 1-18", 2-12", and 1-6")  
 Max Wattage: 100W Med. Base  
 Finish Shown: 21-Bright Yellow

Opt. Accessories (p.10-12):  
 G15-Opal 8" Glass Glob  
 L13-Integrated LED

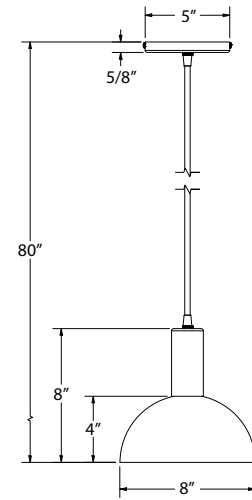


Cord Hung Pendants shown with Optional L03-Bulb or G15-Glass Globe. Stem Hung Pendants shown without.

## PEBX456

Dims: 8"W x 80"H  
 Cord: 6' Black SJT  
 Max Wattage: 100W Med. Base  
 Finish Shown: 19-Terracotta

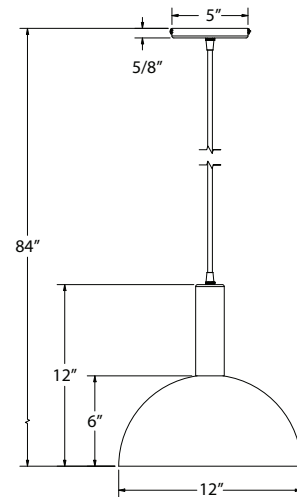
Opt. Accessories (p.10-12):  
 Bulb Shown: L03 (not incl.)  
 L10-Integrated LED



## PEBX471

Dims: 12"W x 84"H  
 Cord: 6' Black SJT  
 Max Wattage: 100W Med. Base  
 Finish Shown: 16-Cream

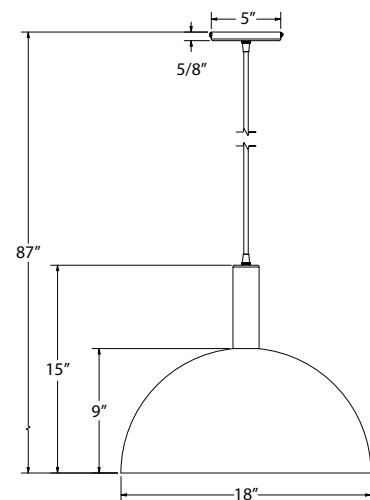
Opt. Accessories (p.10-12):  
 Shown: G15-Opal 8" Glass Globe (not incl.)  
 L12-Integrated LED



## PEBX472

Dims: 18"W x 87"H  
 Cord: 6' Black SJT  
 Max Wattage: 100W Med. Base  
 Finish Shown: 20-Mauve

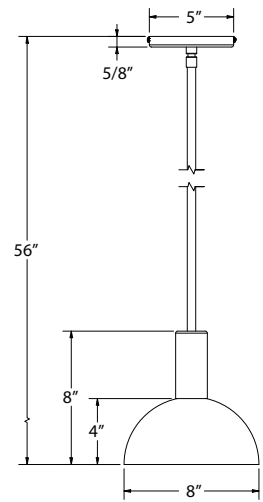
Opt. Accessories (p.10-12):  
 Shown: G15-Opal 8" Glass Globe (not incl.)  
 L13-Integrated LED



## STGX456

Dims: 8"W x 56"H max.  
 (Stem lengths included: 1-18", 2-12", and 1-6")  
 Max Wattage: 100W Med. Base  
 Finish Shown: 40-Slate Gray

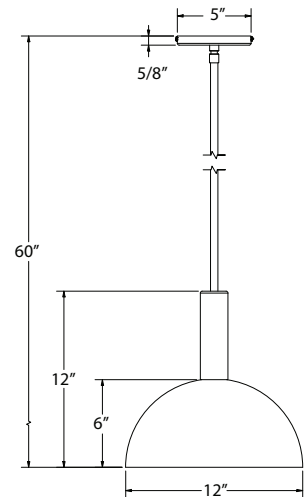
Opt. Accessories (p.10-12):  
 L10-Integrated LED



## STGX471

Dims: 12"W x 60"H max.  
 (Stem lengths included: 1-18", 2-12", and 1-6")  
 Max Wattage: 100W Med. Base  
 Finish Shown: 22-Fern Green

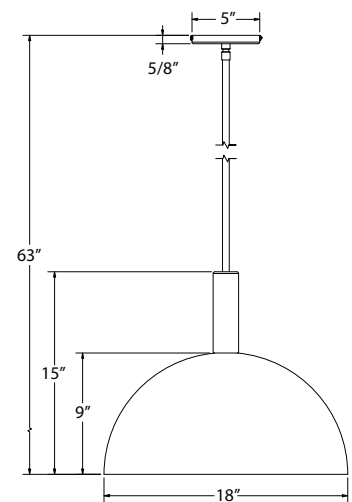
Opt. Accessories (p.10-12):  
 G15-Opal 8" Glass Glob  
 L12-Integrated LED



## STGX472

Dims: 18"W x 63"H max.  
 (Stem lengths included: 1-18", 2-12", and 1-6")  
 Max Wattage: 100W Med. Base  
 Finish Shown: 51-Architectural Bronze

Opt. Accessories (p.10-12):  
 G15-Opal 8" Glass Glob  
 L13-Integrated LED

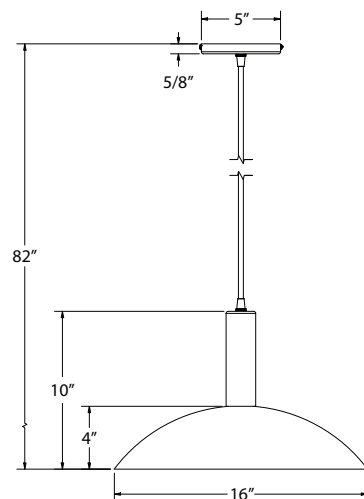


Cord Hung Pendants shown with Optional G15-Glass Globe. Stem Hung Pendants shown without.

## PEBX476

Dims: 16"W x 82"H  
 Cord: 6' Black SJT  
 Max Wattage: 2-40W Cand. Base  
 Finish Shown: 50-Navy

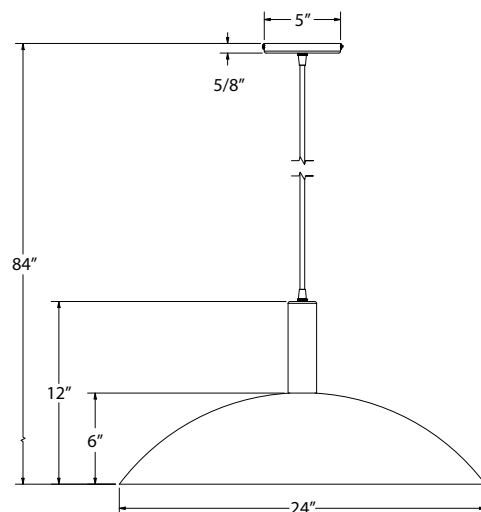
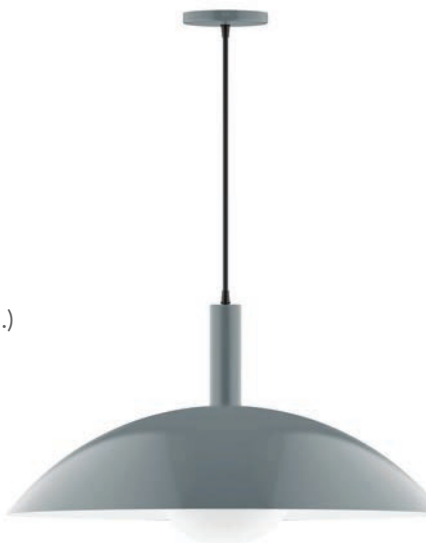
Opt. Accessories (p.10-12):  
 Shown: G15-Opal 8" Glass Globe (not incl.)  
 L10-Integrated LED



## PEBX477

Dims: 24"W x 84"H  
 Cord: 6' Black SJT  
 Max Wattage: 2-40W Cand. Base  
 Finish Shown: 40-Slate Gray

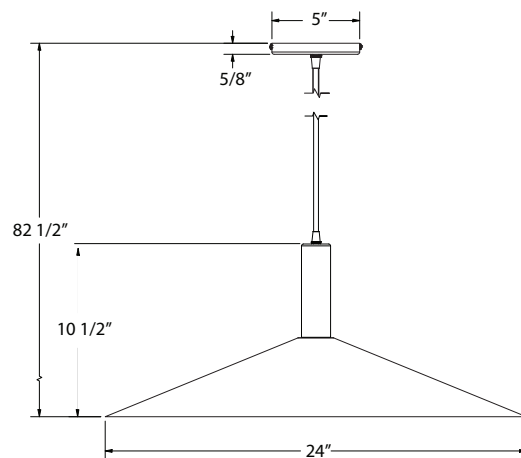
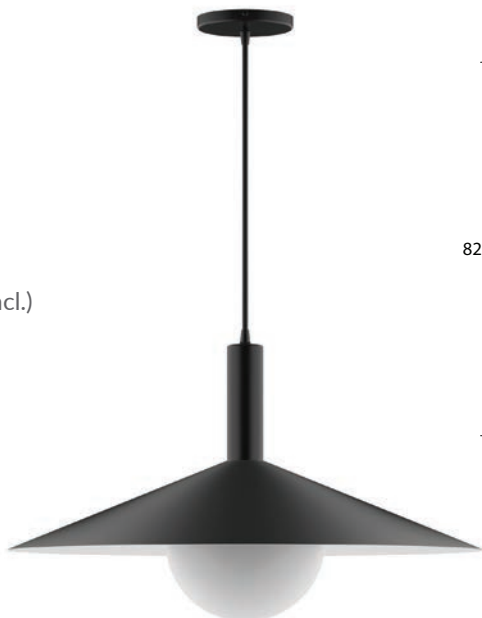
Opt. Accessories (p.10-12):  
 Shown: G15-Opal 8" Glass Globe (not incl.)  
 L12-Integrated LED



## PEBX478

Dims: 24"W x 82½"H max.  
 Cord: 6' Black SJT  
 Max Wattage: 2-40W Cand. Base  
 Finish Shown: 41-Black

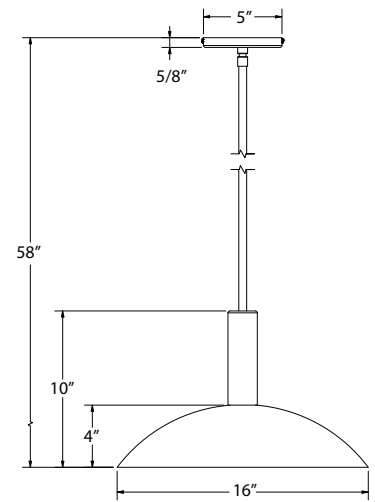
Opt. Accessories (p.10-12):  
 Shown: G15-Opal 8" Glass Globe (not incl.)  
 L13-Integrated LED



## STGX476

Dims: 16"W x 58"H max.  
 (Stem lengths included: 1-18", 2-12", and 1-6")  
 Max Wattage: 2-40W Cand. Base  
 Finish Shown: 21-Bright Yellow

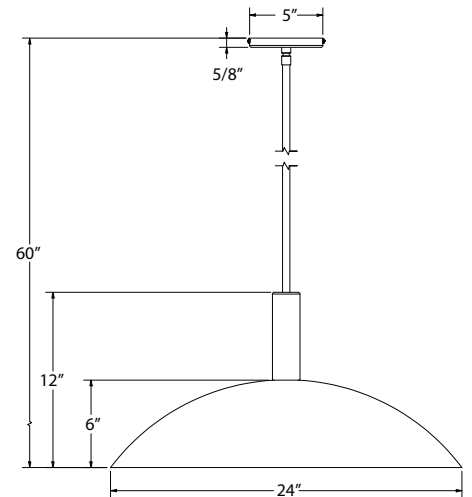
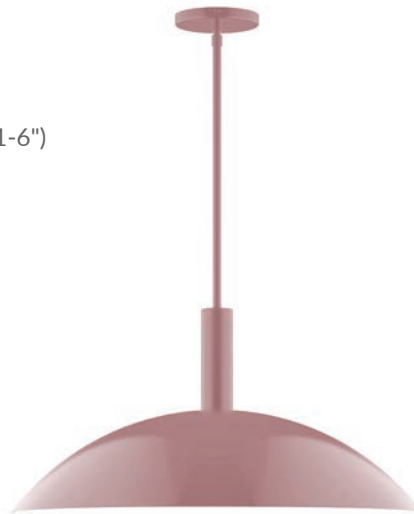
Opt. Accessories (p.10-12):  
 G15-Opal 8" Glass Glob  
 L10-Integrated LED



## STGX477

Dims: 24"W x 60"H max.  
 (Stem lengths included: 1-18", 2-12", and 1-6")  
 Max Wattage: 2-40W Cand. Base  
 Finish Shown: 20-Mauve

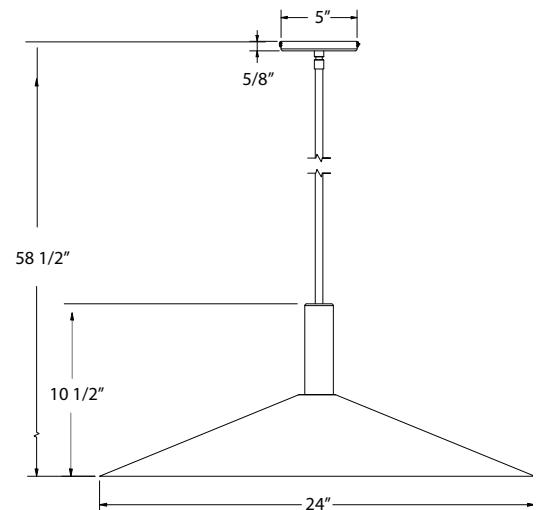
Opt. Accessories (p.10-12):  
 G15-Opal 8" Glass Glob  
 L12-Integrated LED



## STGX478

Dims: 24"W x 58½"H max.  
 (Stem lengths included: 1-18", 2-12", and 1-6")  
 Max Wattage: 2-40W Cand. Base  
 Finish Shown: 51-Arch. Bronze

Opt. Accessories (p.10-12):  
 G15-Opal 8" Glass Glob  
 L13-Integrated LED





## FEATURES + BENEFITS

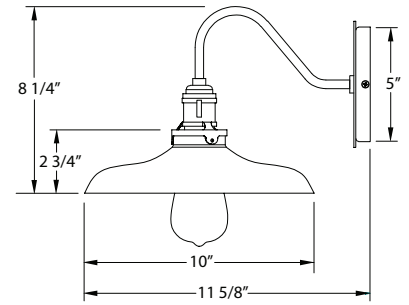
- Metal RLM shades are spun from heavy duty aluminum.
- Handblown Glass shades, made in the USA.
- Dimmable with a dimmable bulb and compatible dimmer (not included).
- Polyester powder coat finish provides color retention and scratch resistance.
- Shown with Brushed Nickel accents, also available with Brushed Brass Accents.
- White powder coat shade interior for maximum light output.
- UL Listed for Dry Location.
- Warranty: Limited 1 year.
- Available in our standard finishes.
- Ships within 7-13 business days.



## SCL401

Dims: 10"W x 8½"H x 11⅝"D  
 Back Plate: 5" Diameter  
 Max Wattage: 100W Med. Base  
 Finish Shown: 41-91-Black with  
 Brushed Brass Hardware

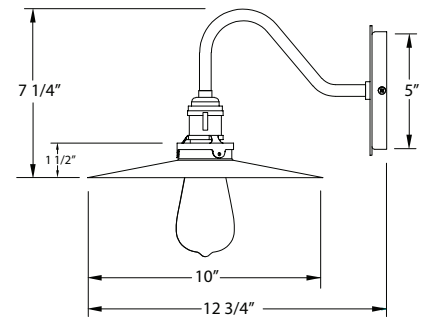
Alt. Finish: 41-96-Black with Brushed  
 Nickel Hardware



## SCL403

Dims: 10"W x 7¼"H x 12¾"D  
 Back Plate: 5" Diameter  
 Max Wattage: 100W Med. Base  
 Finish Shown: 50-91-Navy with Brushed  
 Nickel Hardware

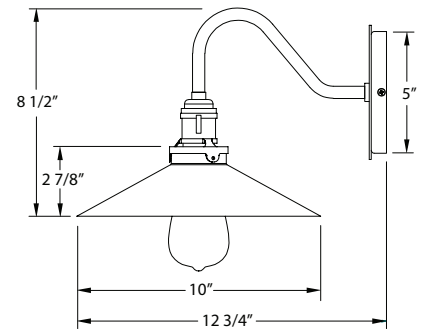
Alt. Finish: 50-91-Navy with Brushed  
 Brass Hardware



## SCL404

Dims: 10"W x 8½"H x 12¾"D  
 Back Plate: 5" Diameter  
 Max Wattage: 100W Med. Base  
 Finish Shown: 51-91-Arch. Bronze with  
 Brushed Brass Hardware

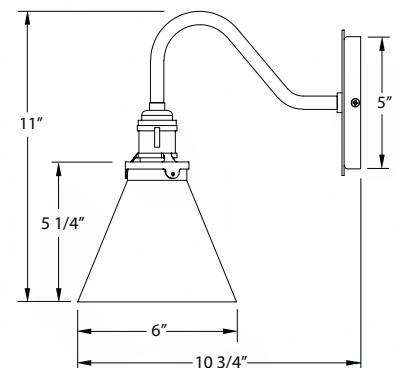
Alt. Finish: 51-96-Arch. Bronze with  
 Brushed Nickel Hardware



## SCL405

Dims: 6"W x 11"H x 10¾"D  
 Back Plate: 5" Diameter  
 Max Wattage: 100W Med. Base  
 Finish Shown: 44-96-White with  
 Brushed Nickel Hardware

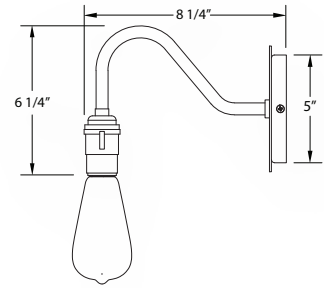
Alt. Finish: 44-91-White with Brushed  
 Brass Hardware



## SCL400

Dims: 2"W x 6½"H x 8¼"D  
 Back Plate: 5" Diameter  
 Max Wattage: 100W Med. Base  
 Finish Shown: 54-96-Light Blue with Brushed Nickel Hardware

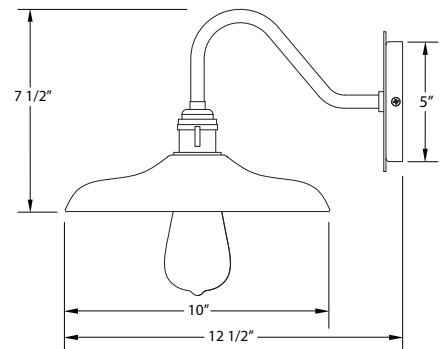
Alt. Finish: 54-91-Light Blue with Brushed Brass Hardware



## SCL410

Dims: 10"W x 7½"H x 12½"D  
 Back Plate: 5" Diameter  
 Max Wattage: 20W LED Med. Base  
 Finish Shown: 51-91-Architectural Bronze with Brushed Brass Hardware  
 Shade: 10" Red Oak

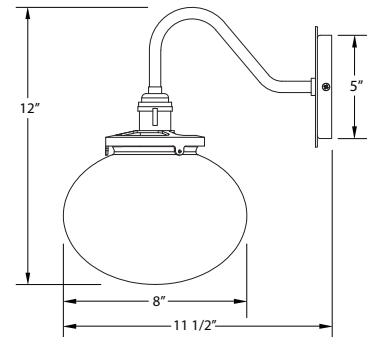
Alt. Finish: 51-96-Arch. Bronze with Brushed Nickel Hardware



## SCL411

Dims: 8"W x 12"H x 11½"D  
 Back Plate: 5" Diameter  
 Max Wattage: 100W Med. Base  
 Shade: 8" White Acid-Etched Oval Glass  
 Finish Shown: 40-96-Slate Gray with Brushed Nickel Hardware

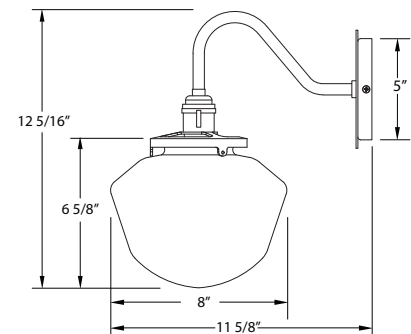
Alt. Finish: 40-91-Slate Gray with Brushed Brass Hardware



## SCL413

Dims: 8"W x 12¾"H x 11½"D  
 Back Plate: 5" Diameter  
 Max Wattage: 100W Med. Base  
 Shade: 8" White Gloss Glass  
 Finish Shown: 44-91-White with Brushed Brass Hardware

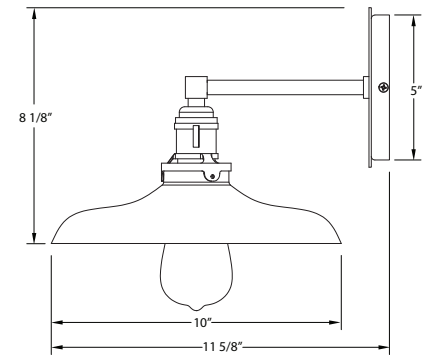
Alt. Finish: 44-96-White with Brushed Nickel Hardware



## SCM401

Dims: 10"W x 8 $\frac{3}{8}$ "H x 11 $\frac{5}{8}$ "D  
 Back Plate: 5" Diameter  
 Max Wattage: 100W Med. Base  
 Finish Shown: 41-96-Black with  
 Brushed Nickel Hardware

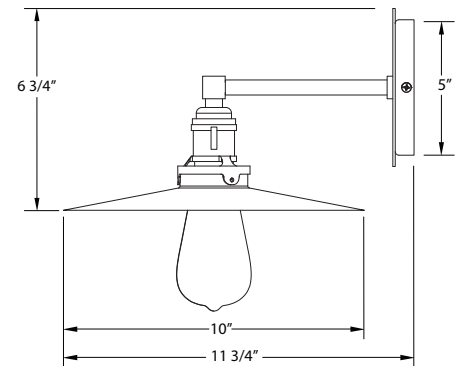
Alt. Finish: 41-91-Black with Brushed  
 Brass Hardware



## SCM403

Dims: 10"W x 6 $\frac{3}{4}$ "H x 11 $\frac{3}{4}$ "D  
 Back Plate: 5" Diameter  
 Max Wattage: 100W Med. Base  
 Finish Shown: 55-91-Barn Red with  
 Brushed Brass Hardware

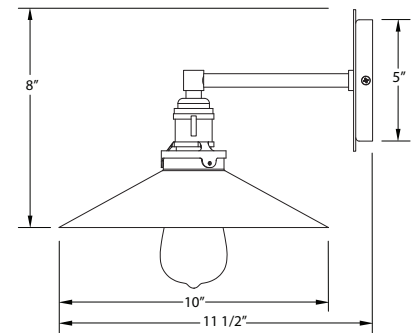
Alt. Finish: 55-96-Barn Red with  
 Brushed Nickel Hardware



## SCM404

Dims: 10"W x 8"H x 11 $\frac{1}{2}$ "D  
 Back Plate: 5" Diameter  
 Max Wattage: 100W Med. Base  
 Finish Shown: 42-91-Forest Green with  
 Brushed Brass Hardware

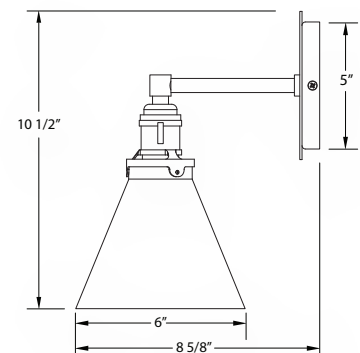
Alt. Finish: 42-96-Forest Green with  
 Brushed Nickel Hardware



## SCM405

Dims: 6"W x 10 $\frac{1}{2}$ "H x 8 $\frac{5}{8}$ "D  
 Back Plate: 5" Diameter  
 Max Wattage: 100W Med. Base  
 Finish Shown: 50-96-Navy with  
 Brushed Nickel Hardware

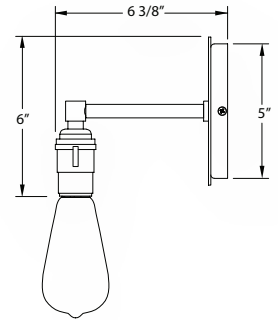
Alt. Finish: 50-91-Navy with Brushed  
 Brass Hardware



## SCM400

Dims: 2"W x 6"H x 6<sup>3</sup>/<sub>8</sub>"D  
 Max Wattage: 100W Med. Base  
 Finish Shown: 40-96-Slate Gray with Brushed Nickel Hardware

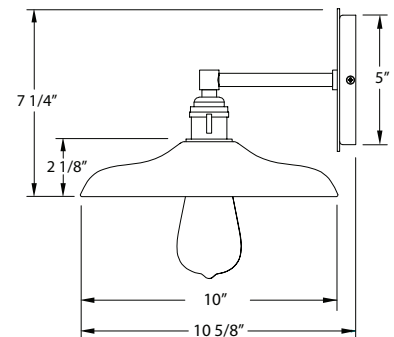
Alt. Finish: 40-91-Slate Gray with Brushed Brass Hardware



## SCM410

Dims: 10"W x 7<sup>1</sup>/<sub>4</sub>"H x 10<sup>5</sup>/<sub>8</sub>"D  
 Max Wattage: 20W LED Med. Base  
 Finish Shown: 44-91-White with Brushed Brass Hardware  
 Shade: 10" Red Oak

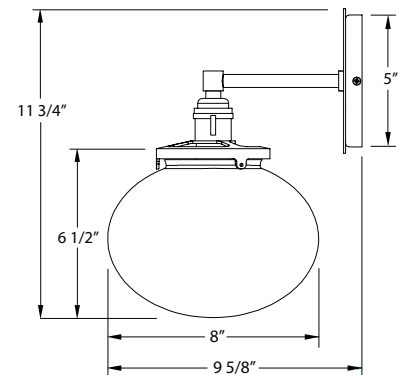
Alt. Finish: 44-96-White with Brushed Nickel Hardware



## SCM411

Dims: 8"W x 11<sup>3</sup>/<sub>4</sub>"H x 9<sup>5</sup>/<sub>8</sub>"D  
 Max Wattage: 100W Med. Base  
 Shade: 8" White Acid-Etched Oval Glass  
 Finish Shown: 50-91-Navy with Brushed Brass Hardware

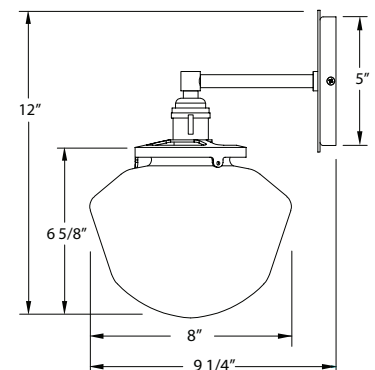
Alt. Finish: 50-96-Navy with Brushed Nickel Hardware



## SCM413

Dims: 8"W x 12"H x 9<sup>1</sup>/<sub>4</sub>"D  
 Max Wattage: 100W Med. Base  
 Shade: 8" White Gloss Glass  
 Finish Shown: 54-96-Light Blue with Brushed Nickel Hardware

Alt. Finish: 54-91-Light Blue with Brushed Brass Hardware



## PEB401

Dims: 10"W x 77"H

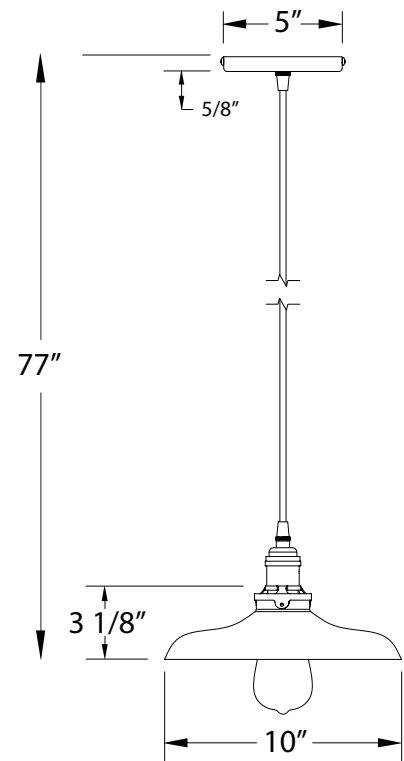
Cord: 6' Black SJT

Max Wattage: 100W Med. Base

Finish Shown: 40-96-Slate Gray with  
Brushed Nickel Hardware

Alt. Finish: 40-91-Slate Gray with  
Brushed Nickel Hardware

Opt. Accessories (p.10-12):  
White SJT or Fabric Cord



## PEB403

Dims: 10"W x 75 3/4"H

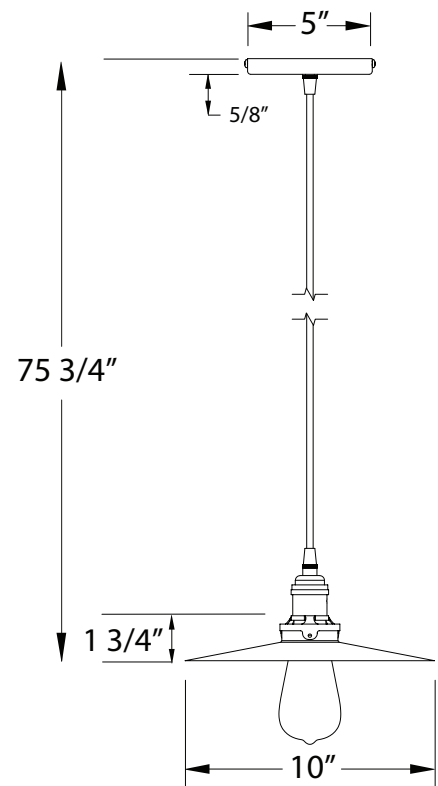
Cord: 6' Black SJT

Max Wattage: 100W Med. Base

Finish Shown: 50-91-Navy with  
Brushed Brass Hardware

Alt. Finish: 50-96-Navy with Brushed  
Nickel Hardware

Opt. Accessories (p.10-12):  
White SJT or Fabric Cord

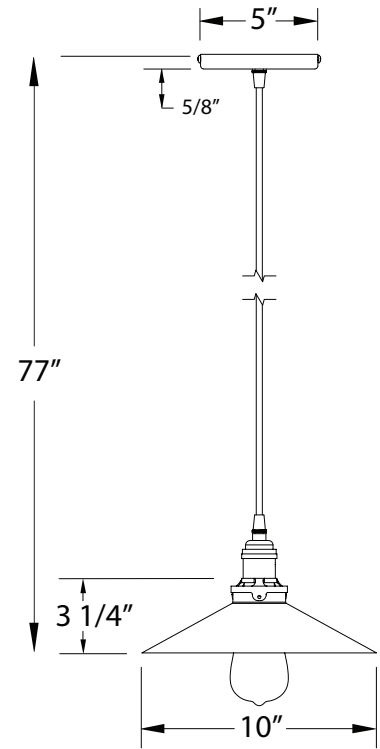


## PEB404

Dims: 10"W x 77"H  
 Cord: 6' Black SJT  
 Max Wattage: 100W Med. Base  
 Finish Shown: 41-96-Black with  
 Brushed Nickel Hardware

Alt. Finish: 41-91-Black with Brushed  
 Brass Hardware

Opt. Accessories (p.10-12):  
 White SJT or Fabric Cord

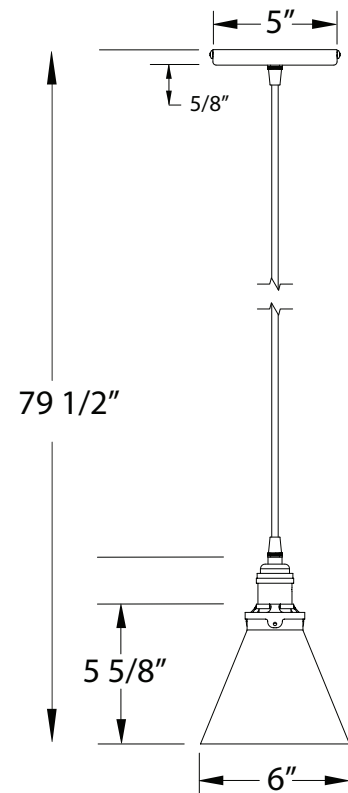


## PEB405

Dims: 6"W x 79 1/2"H  
 Cord: 6' Black SJT  
 Max Wattage: 100W Med. Base  
 Finish Shown: 51-91-Architectural  
 Bronze with Brushed Brass Hardware

Alt. Finish: 51-96-Architectural Bronze  
 with Brushed Nickel Hardware

Opt. Accessories (p.10-12):  
 White SJT or Fabric Cord



## PEB400

Dims: 2"W x 74<sup>3</sup>/<sub>4</sub>"H

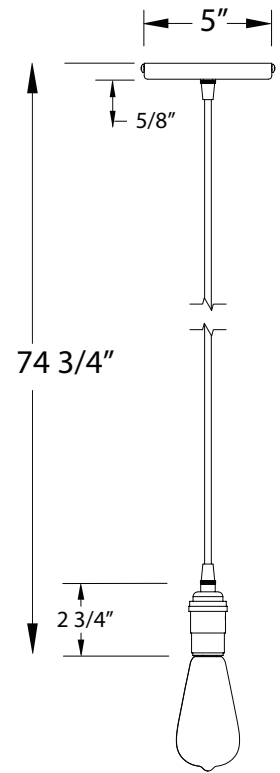
Cord: 6' Black SJT

Max Wattage: 100W Med. Base

Finish Shown: 48-91-Sea Green with  
Brushed Brass

Alt. Finish: 48-96-Sea Green with  
Brushed Nickel Hardware

Opt. Accessories (p.10-12):  
White SJT or Fabric Cord



## PEB410

Dims: 10"W x 76<sup>1</sup>/<sub>8</sub>"H

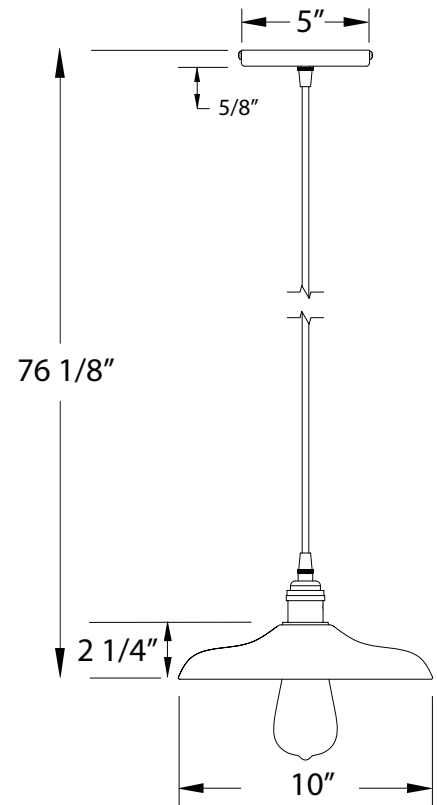
Cord: 6' Black SJT

Max Wattage: 100W Med. Base

Finish Shown: 51-96-Architectural  
Bronze with Brushed Nickel Hardware

Alt. Finish: 51-91-Architectural Bronze  
with Brushed Brass Hardware

Opt. Accessories (p.10-12):  
White SJT or Fabric Cord

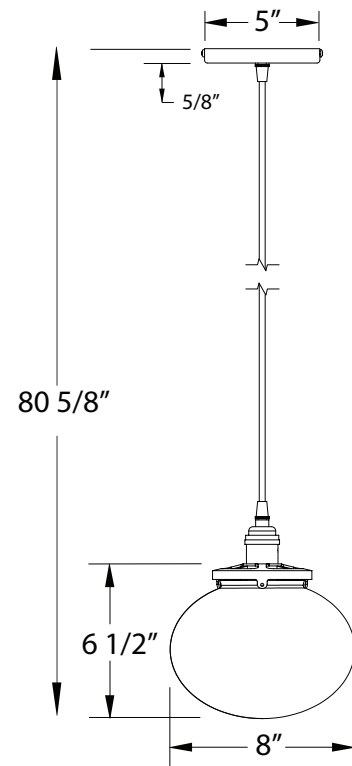


## PEB411

Dims: 8"W x 80½"H  
 Cord: 6' Black SJT  
 Max Wattage: 100W Med. Base  
 Shade: 8" White Acid-Etched Oval Glass  
 Finish Shown: 44-96-White with Brushed  
 Nickel Hardware

Alt. Finish: 44-91-White with Brushed  
 Brass Hardware

Opt. Accessories (p.10-12):  
 White SJT or Fabric Cord

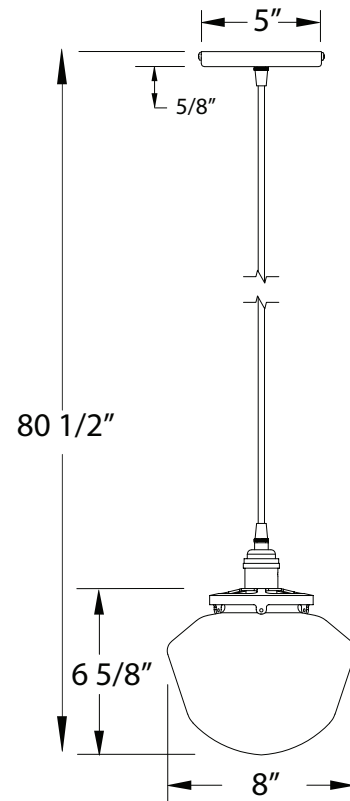


## PEB413

Dims: 8"W x 80½"H  
 Cord: 6' Black SJT  
 Max Wattage: 100W Med. Base  
 Shade: 8" White Gloss Glass  
 Finish Shown: 41-91-Black with  
 Brushed Brass Hardware

Alt. Finish: 41-96-Black with Brushed  
 Nickel Hardware

Opt. Accessories (p.10-12):  
 White SJT or Fabric Cord







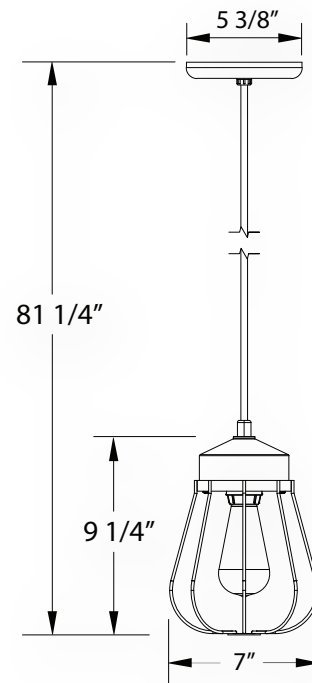
## FEATURES + BENEFITS

- Dimmable with a dimmable bulb and compatible dimmer (not included).
- Polyester powder coat finish provides color retention and scratch resistance.
- UL Listed for Dry Location.
- Warranty: Limited 1 Year.
- Made in USA.
- Available in our standard finishes.
- Ships within 7-13 business days.
- Optional Accessories shown on pages 10-12.

## PEB010

Dims: 7"W x 81¼"H  
Cord: 6' Black SJT  
Max Wattage: 100W Med. Base  
Finish Shown: 55-Barn Red

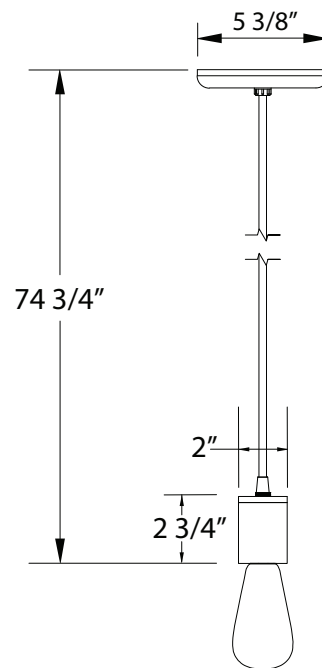
Opt. Accessories (p.10-12):  
White SJT or Fabric Cord



## PEB012

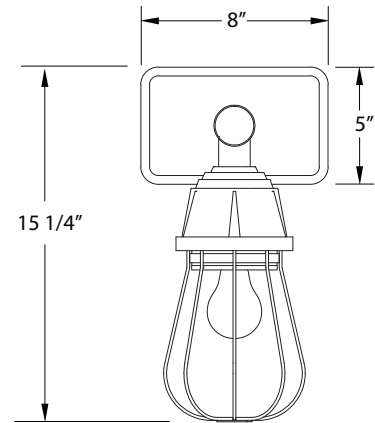
Dims: 3 3/4"W x 74 3/4"H  
Cord: 6' Black SJT  
Max Wattage: 100W Med. Base  
Finish Shown: 50-Navy

Opt. Accessories (p.10-12):  
White SJT or Fabric Cord



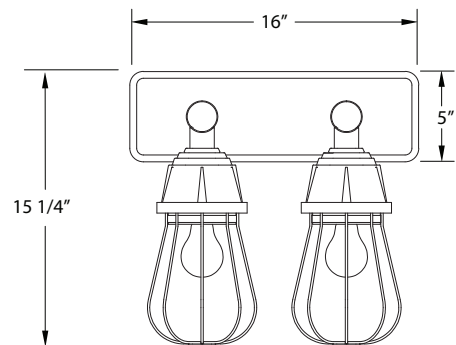
## SCF081

Dims: 8½"W x 19½"H x 19¼"D  
 Max Wattage: 100W Med. Base  
 Finish Shown: 50-Navy



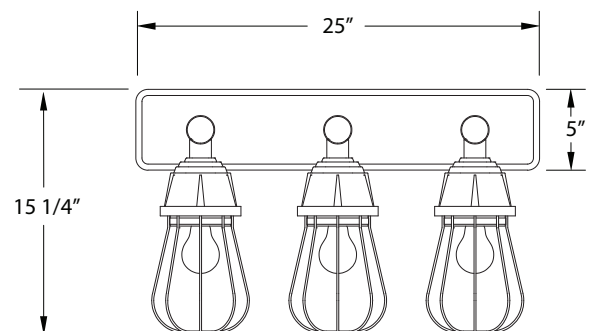
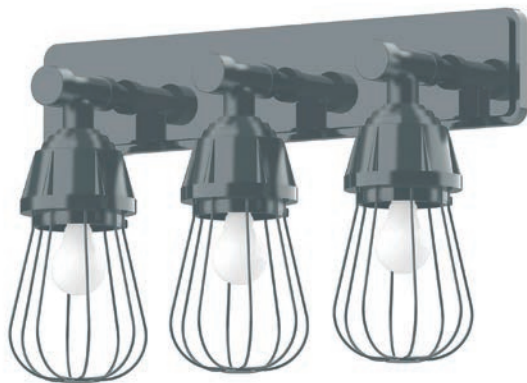
## SCG081

Dims: 12"W x 20¾"H x 25⅞"D  
 Max Wattage: 100W Med. Base  
 Finish Shown: 41-Black



## SCH081

Dims: 14"W x 23½"H x 31⅜"D  
 Max Wattage: 100W Med. Base  
 Finish Shown: 40-Slate Gray





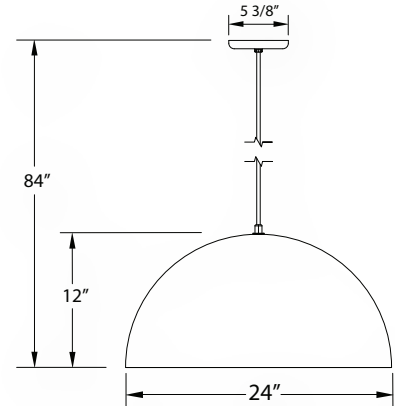
## FEATURES + BENEFITS

- Metal RLM shades are spun from heavy duty aluminum.
- Dimmable with a dimmable bulb and compatible dimmer (not included).
- Polyester powder coat finish provides color retention and scratch resistance.
- White powder coat shade interior for maximum light output.
- UL Listed for Dry Location.
- Warranty: Limited 1 year.
- Available in finishes shown.
- Ships within 7-13 business days
- Optional Accessories shown on page 8 .

## PEB229

Dims: 24"W x 84"H  
 Cord: 6' Black SJT  
 Max Wattage: 100W Med. Base  
 Finish Shown: 41-Black

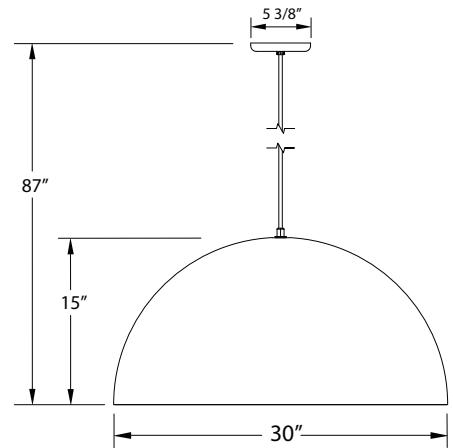
Opt. Accessories (p.10-12):  
 White SJT or Fabric Cord  
 E04-3-Light Med. Base Socket Cluster



## PEB230

Dims: 30"W x 87"H  
 Cord: 6' Black SJT  
 Max Wattage: 100W Med. Base  
 Finish Shown: 44-White Gloss

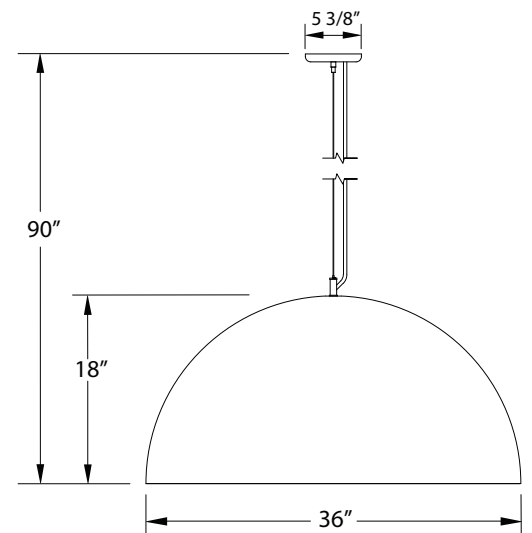
Opt. Accessories (p.10-12):  
 White SJT or Fabric Cord  
 E03-3-Light Med. Base  
 Socket Cluster



## PEG231

Dims: 36"W x 90"H  
 Cord: 6' Black SJT with required Stainless  
 Steel Cable  
 Max Wattage: 100W Med. Base  
 Finish Shown: 57-Bronze Matte

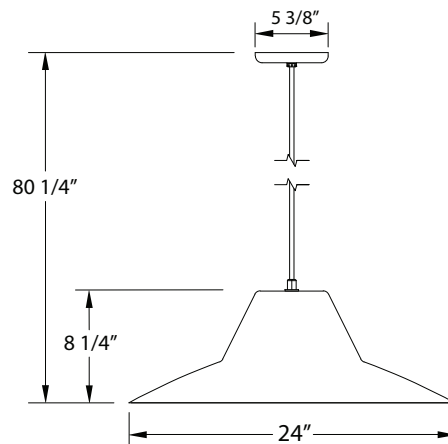
Opt. Accessories (p.10-12):  
 White SJT or Fabric Cord  
 E03-3-Light Med. Base  
 Socket Cluster



## PEB203

Dims: 24"W x 80 $\frac{1}{4}$ "H  
Cord: 6' Black SJT  
Max Wattage: 100W Med. Base  
Finish Shown: 41-Black

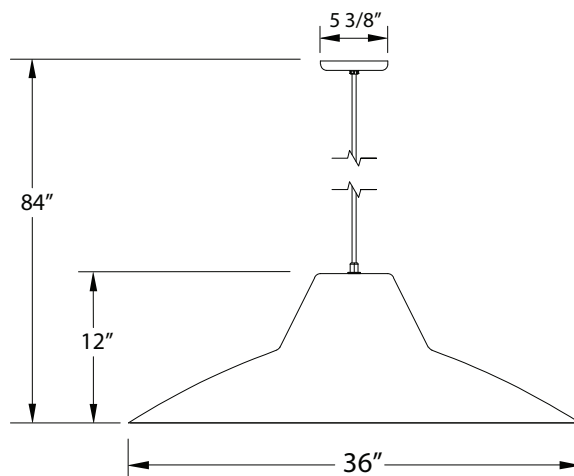
Opt. Accessories (p.10-12):  
White SJT or Fabric Cord



## PEB204

Dims: 36"W x 84"H  
Cord: 6' Black SJT  
Max Wattage: 100W Med. Base  
Finish Shown: 44-White Gloss

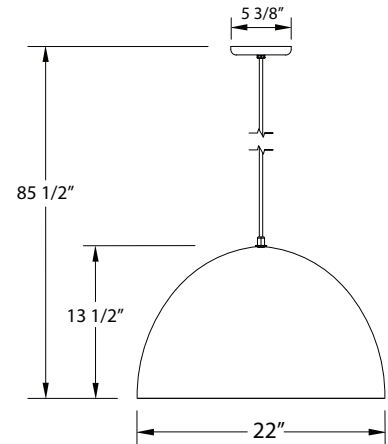
Opt. Accessories (p.10-12):  
White SJT or Fabric Cord



## PEB213

Dims: 22"W x 85½"H  
 Cord: 6' Black SJT  
 Max Wattage: 100W Med. Base  
 Finish Shown: 41-75-Black Matte  
 Exterior with Gold Matte Interior

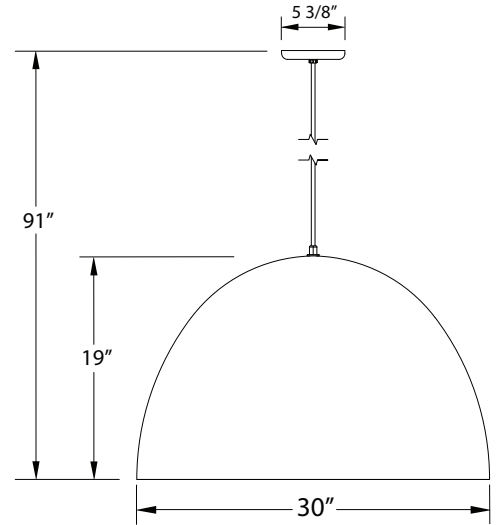
Opt. Accessories (p.10-12):  
 White SJT or Fabric Cord  
 E04-3-Light Med. Base  
 Socket Cluster



## PEB214

Dims: 30"W x 91"H  
 Cord: 6' Black SJT  
 Max Wattage: 100W Med. Base  
 Finish Shown: 57-Bronze Matte

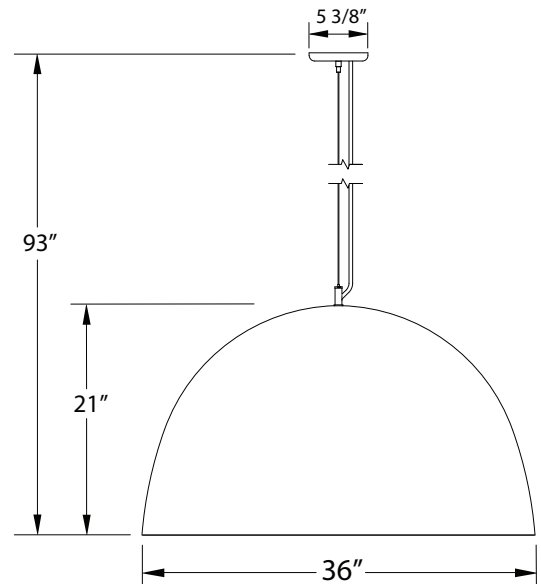
Opt. Accessories (p.10-12):  
 White SJT or Fabric Cord  
 E03-3-Light Med. Base  
 Socket Cluster



## PEG215

Dims: 36"W x 93"H  
 Cord: 6' Black SJT with required Stainless  
 Steel Cable  
 Max Wattage: 100W Med. Base  
 Finish Shown: 44-White Gloss

Opt. Accessories (p.10-12):  
 White SJT or Fabric Cord  
 E03-3-Light Med. Base  
 Socket Cluster





## FEATURES + BENEFITS

- Metal RLM shades are spun from heavy duty aluminum.
- Arm is Aluminum, 3/4" IPS, unless noted. Cast Backplate fits over 4/0 junction box.
- Dimmable with a dimmable bulb and compatible dimmer (not included).
- Polyester powder coat finish provides color retention and scratch resistance.
- White powder coat shade interior for maximum light output.
- Painted galvanized finish has painted galvanized shade interior.
- UL Listed for Wet Location.
- Warranty: Limited 1 year.
- Available in our standard finishes.
- Ships within 7-13 business days.
- Shown above using optional S03-Swivel.
- Optional Accessories shown on pages 10-12.



## GNA102

Dims: 9"W x 19 $\frac{1}{4}$ "H x 19 $\frac{1}{2}$ "D, 1/2" IPS

Max Wattage: 100W Med. Base

Finish Shown: 41-Black

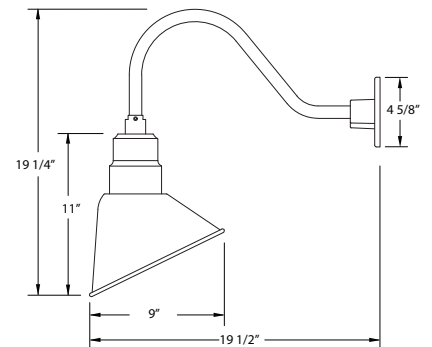
Opt. Accessories (p.10-12):

B01-Decorative Backplate Cover

L12-Integrated LED

S01-Swivel

W08-Wire Gr II



## GNB103

Dims: 11 $\frac{1}{2}$ "W x 20 $\frac{1}{2}$ "H x 25"D

Max Wattage: 100W Med. Base

Finish Shown: 42-Forest Green

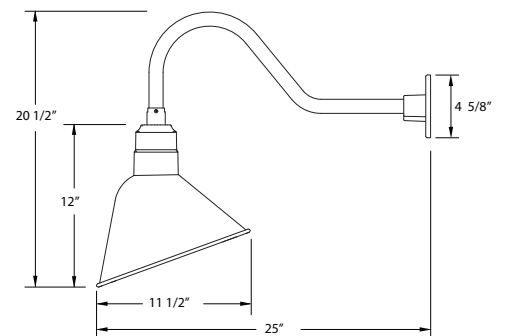
Opt. Accessories (p.10-12):

B03-Decorative Backplate Cover

L12-Integrated LED

S03-Swivel

W12-Wire Gr II



## GNC104

Dims: 14"W x 23 $\frac{3}{4}$ "H x 31 $\frac{3}{8}$ "D

Max Wattage: 100W Med. Base

Finish Shown:

40-Slate Gray

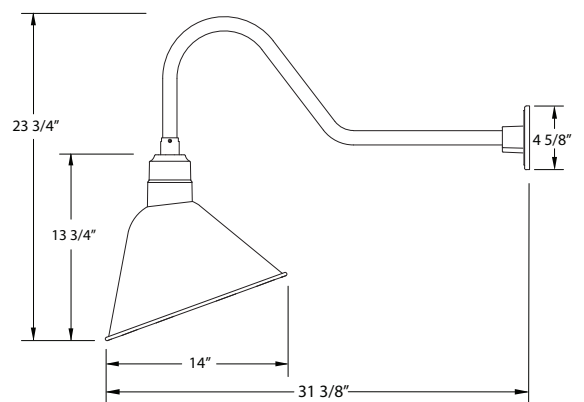
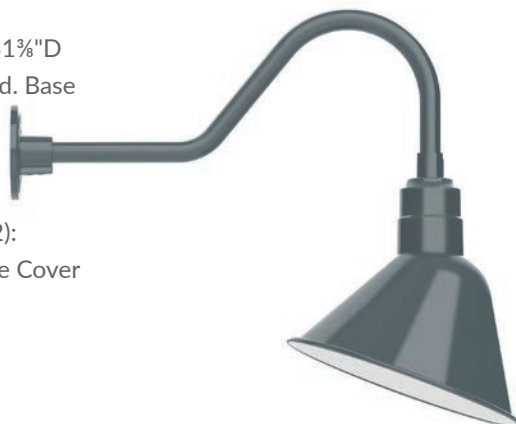
Opt. Accessories (p.10-12):

B03-Decorative Backplate Cover

L13-Integrated LED

S03-Swivel

W14-Wire Gr II





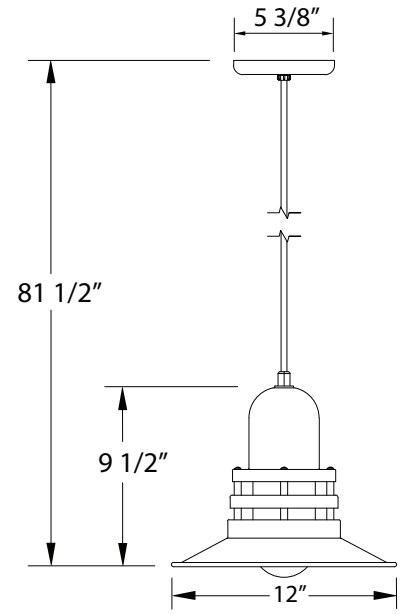
## FEATURES + BENEFITS

- Metal RLM shades are spun from heavy duty aluminum.
- Arm is Aluminum, 3/4" IPS, unless noted. Cast Backplate fits over 4/0 junction box.
- Dimmable with a dimmable bulb and compatible dimmer (not included).
- Polyester powder coat finish provides color retention and scratch resistance.
- White powder coat shade interior for maximum light output.
- Painted galvanized finish has painted galvanized shade interior.
- Weathertight glass (Clear is standard, Frosted optional) included.
- Cord hung Pendants are UL listed for Dry location. Arm, Stem and Wall Mount are UL Listed for Wet Location.
- Warranty: Limited 1 year.
- Available in our standard finishes.
- Ships within 7-13 business days.
- Stem lengths offered for stem hung pendants: 12" standard, 24", 30", 36", 48" optional
- Optional Accessories shown on pages 10-12.

### PEB148

Dims: 12"W x 81½"H  
 Cord: 6' Black SJT  
 Max Wattage: 100W Med. Base  
 Finish Shown: 54-Light Blue

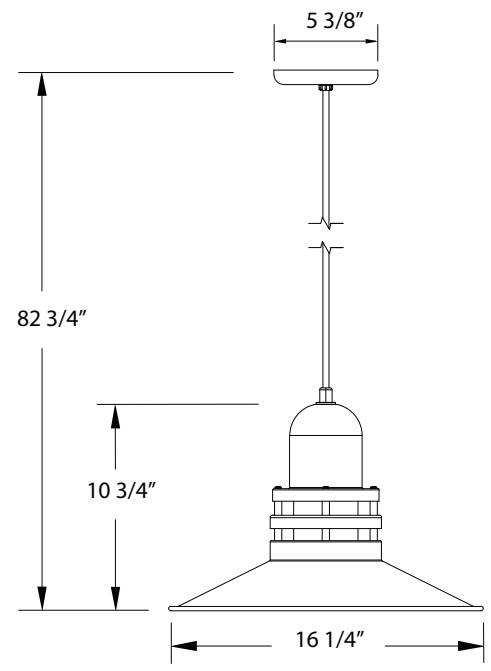
Opt. Accessories (p.10-12):  
 White SJT or Fabric Cord  
 G07-Frosted Weathertight Glass



### PEB149

Dims: 16¼"W x 82¾"H  
 Cord: 6' Black SJT  
 Max Wattage: 100W Med. Base  
 Finish Shown: 50-Navy

Opt. Accessories (p.10-12):  
 White SJT or Fabric Cord  
 G07-Frosted Weathertight Glass



## STA148

Dims: 12"W x ½"IPS x Choice of Height:  
(21¾", 33¾", 39¾", 45¾", 57¾")

Max Wattage: 100W Med. Base

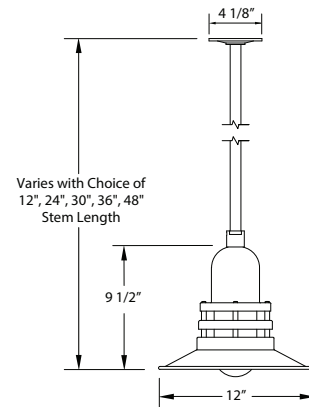
Finish Shown: 41-Black

Opt. Accessories (p.10-12):

B01-Decorative Ceiling Canopy

B02-Sloped Ceiling Mount

G07-Frosted Weathertight Glass



## STB149

Dims: 16¼"W x Choice of Height:  
(23", 35", 41", 47", 59")

Max Wattage: 100W Med. Base

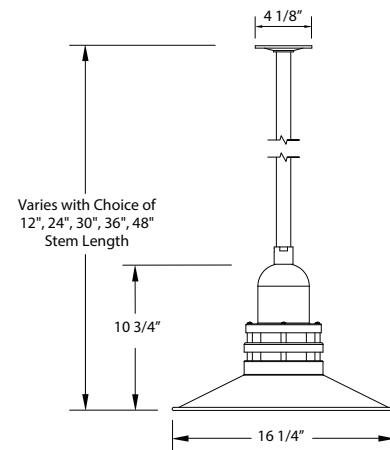
Finish Shown: 49-Painted Galvanized

Opt. Accessories (p.10-12):

B03-Decorative Ceiling Canopy

B02-Sloped Ceiling Mount

G07-Frosted Weathertight Glass



## GNN148

Dims: 12"W x 14½"H x 16"D

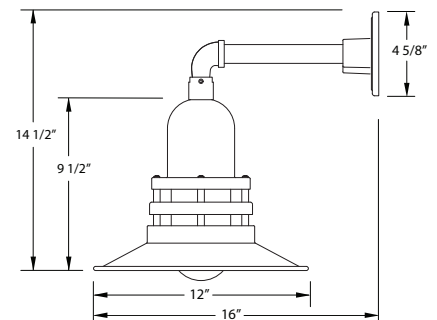
Max Wattage: 100W Med. Base

Finish Shown: 51-Architectural Bronze

Opt. Accessories (p.10-12):

B03-Decorative Backplate Cover

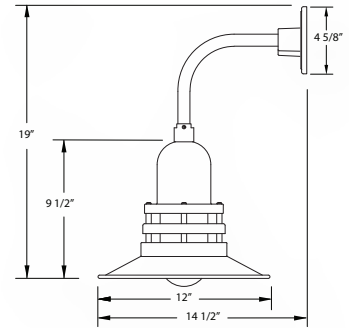
G07-Frosted Weathertight Glass



## GNT148

Dims: 12"W x 19"H x 14½"D  
 Max Wattage: 100W Med. Base  
 Finish Shown: 44-White Gloss

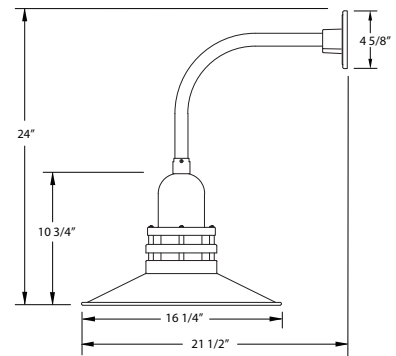
Opt. Accessories (p.10-12):  
 B03-Decorative Backplate Cover  
 G07-Frosted Weathertight Glass



## GNU149

Dims: 16¼"W x 24"H x 21½"D  
 Max Wattage: 100W Med. Base  
 Finish Shown: 50-Navy

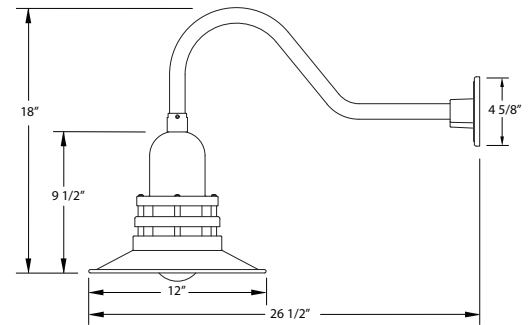
Opt. Accessories (p.10-12):  
 B03-Decorative Backplate Cover  
 G07-Frosted Weathertight Glass



## GNB148

Dims: 12"W x 18"H x 26½"D  
 Max Wattage: 100W Med. Base  
 Finish Shown: 48-Sea Green

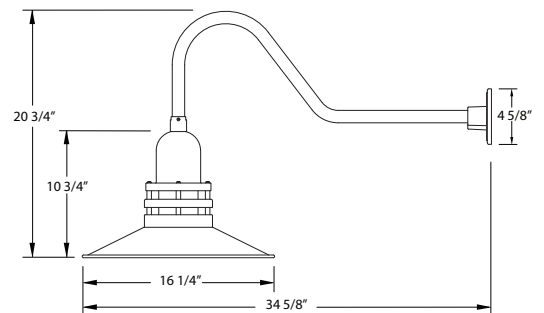
Opt. Accessories (p.10-12):  
 B03-Decorative Backplate Cover  
 G07-Frosted Weathertight Glass  
 S03-Swivel



## GNC149

Dims: 16¼"W x 20¾"H x 34½"D  
 Max Wattage: 100W Med. Base  
 Finish Shown: 40-Slate Gray

Opt. Accessories (p.10-12):  
 B03-Decorative Backplate Cover  
 G07-Frosted Weathertight Glass  
 S03-Swivel





## FEATURES + BENEFITS

- Metal RLM shades are spun from heavy duty aluminum.
- Arm is Aluminum, 3/4" IPS, unless noted. Cast Backplate fits over 4/0 junction box.
- Dimmable with a dimmable bulb and compatible dimmer (not included).
- Polyester powder coat finish provides color retention and scratch resistance.
- White powder coat shade interior or for maximum light output.
- Painted galvanized finish has painted galvanized shade interior.
- Cord hung Pendants are UL listed for Dry location. Arm, Stem and Wall Mount are UL Listed for Wet Location.
- Warranty: Limited 1 year.
- Available in our standard finishes.
- Ships within 7-13 business days.
- Stem lengths offered for stem hung pendants: 12" standard, 24", 30", 36", 48" optional
- Optional Accessories shown on pages 10-12.



Weathertight Glass and Guard



Wire Grill

## MSB105

Dims: 8 $\frac{1}{8}$ "W x 22 $\frac{1}{8}$ "L x Choice of Height:

(20 $\frac{1}{2}$ ", 32 $\frac{1}{2}$ ", 38 $\frac{1}{2}$ ", 44 $\frac{1}{2}$ ", 56 $\frac{1}{2}$ "")

Max Wattage: 100W Med. Base

Finish Shown: 42-Forest Green

Opt. Accessories (p.10-12):

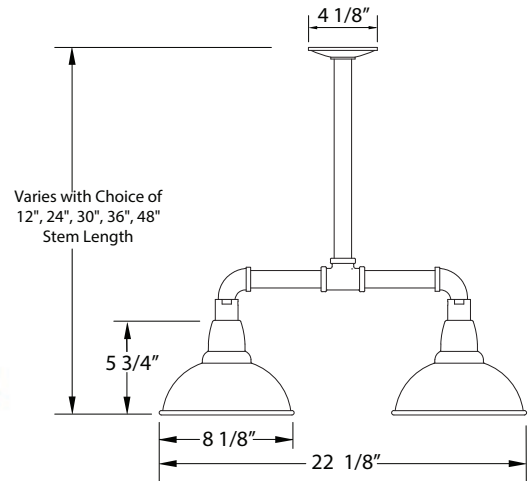
B03-Decorative Ceiling Canopy

B02-Sloped Ceiling Mount

G05-Weathertight Glass and Guard

L10-Integrated LED

W08-Wire Gr II



## MSD106

Dims: 12"W x 35"L x Choice of Height

(23 $\frac{1}{4}$ ", 35 $\frac{1}{4}$ ", 41 $\frac{1}{4}$ ", 47 $\frac{1}{4}$ ", 59 $\frac{1}{4}$ "")

Max Wattage: 100W Med. Base

Finish Shown: 40-Slate Gray

Opt. Accessories (p.10-12):

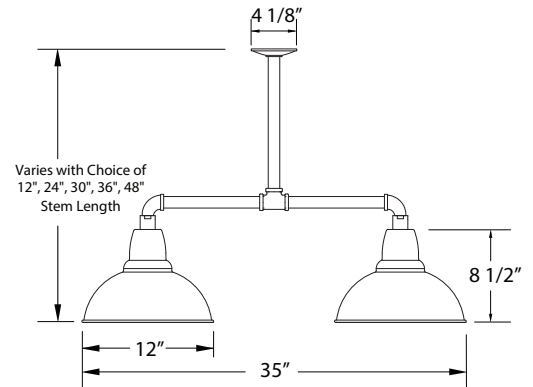
B03-Decorative Ceiling Canopy

B02-Sloped Ceiling Mount

G05-Weathertight Glass and Guard

L12-Integrated LED

W12-Wire Gr II



## MSD108

Dims: 16"W x 39"L x Choice of Height:

(24 $\frac{3}{4}$ ", 36 $\frac{3}{4}$ ", 42 $\frac{3}{4}$ ", 48 $\frac{3}{4}$ ", 60 $\frac{3}{4}$ "")

Max Wattage: 100W Med. Base

Finish Shown: 51-Architectural Bronze

Opt. Accessories (p.10-12):

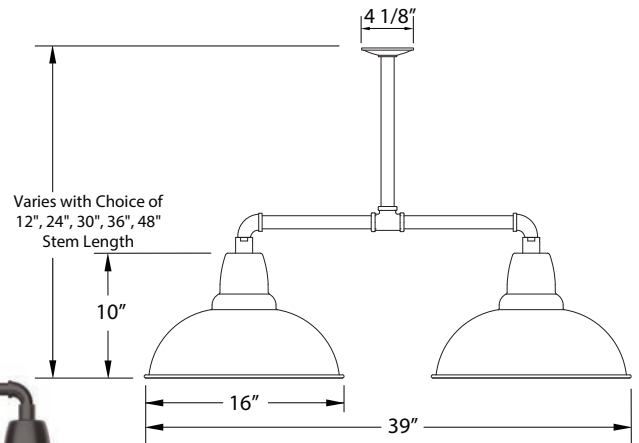
B03-Decorative Ceiling Canopy

B02-Sloped Ceiling Mount

G05-Weathertight Glass and Guard

L13-Integrated LED

W16-Wire Gr II



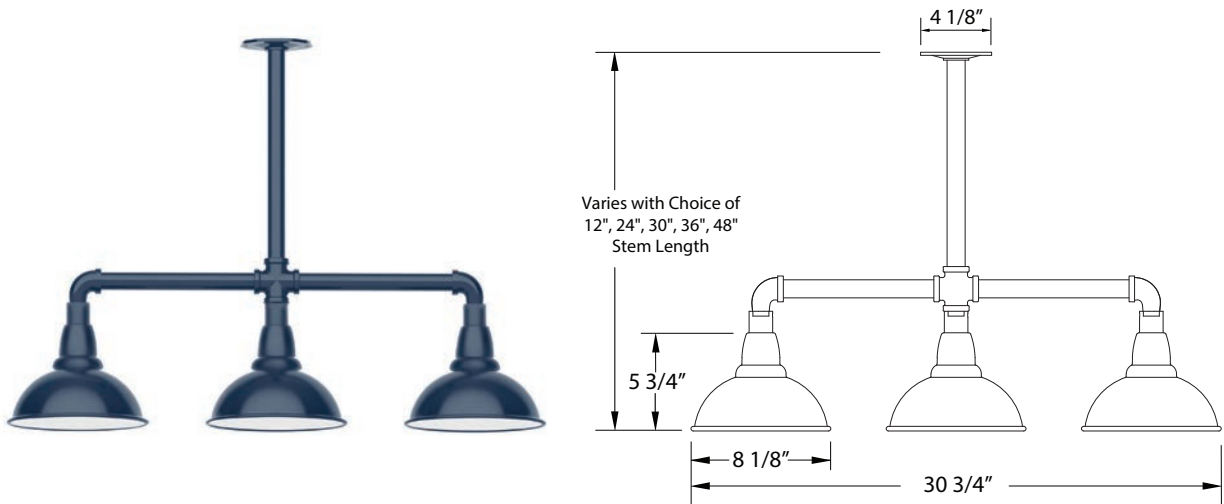
## MSK105

Dims: 8"W x 34 3/4"L x Choice of Height: (20 1/2", 32 1/2", 38 1/2", 44 1/2", 56 1/2")

Max Wattage: 100W Med. Base

Finish Shown: 50-Navy

Opt. Accessories (p.10-12): B03-Decorative Ceiling Canopy, B02-Sloped Ceiling Mount, G05-Weathertight Glass and Guard, L10-Integrated LED, W08-Wire Grill



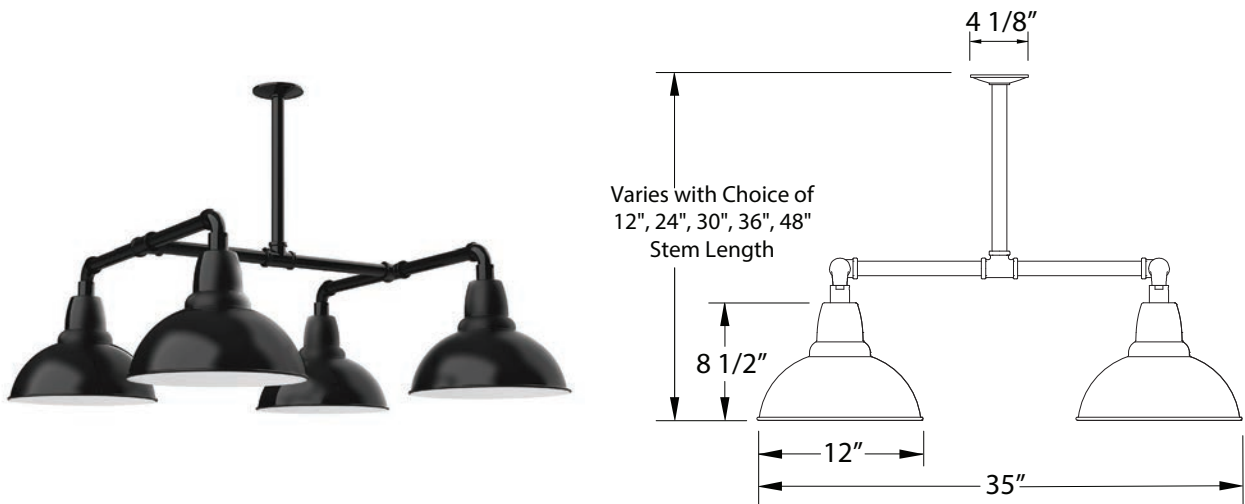
## MSP106

Dims: 12"W x 35"L x 35"D x Choice of Height: (23 3/4", 35 3/4", 41 1/4", 47 1/4", 59 3/4")

Max Wattage: 100W Med. Base

Finish Shown: 41-Black

Opt. Accessories (p.10-12): B03-Decorative Ceiling Canopy, B02-Sloped Ceiling Mount, G05-Weathertight Glass and Guard, L12-Integrated LED, W12-Wire Grill





## STA106

Dims: 12"W x ½" IPS x Choice of Height:  
(20¾", 32¾", 38¾", 44¾", 56¾")

Max Wattage: 100W Med. Base

Finish Shown: 49-Painted Galvanized

Opt. Accessories (p.10-12):

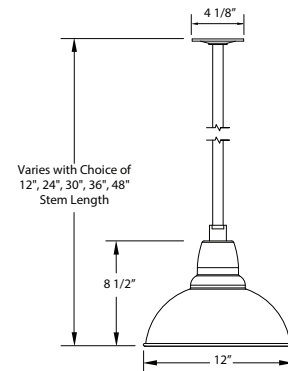
B01-Decorative Ceiling Canopy

B02-Sloped Ceiling Mount

G05-Weathertight Glass and Guard

L12-Integrated LED

W12-Wire Gr II



## STA107

Dims: 14"W x ½" IPS x Choice of Height:  
(21⅞", 33⅞", 39⅞", 45⅞", 57⅞")

Max Wattage: 100W Med. Base

Finish Shown: 48-Sea Green

Opt. Accessories (p.10-12):

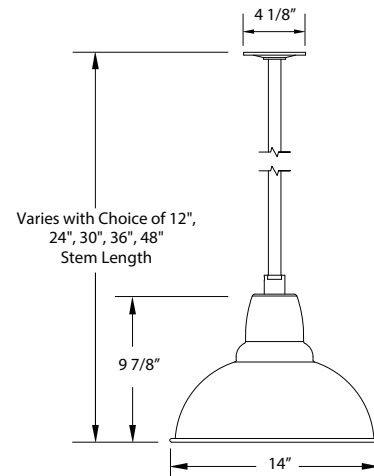
B01-Decorative Ceiling Canopy

B02-Sloped Ceiling Mount

G05-Weathertight Glass and Guard,

L12-Integrated LED

W14-Wire Gr II



## STB108

Dims: 16"W x 39"L x Choice of Height:  
(22", 34", 40", 46", 58")

Max Wattage: 100W Med. Base

Finish Shown: 41-Black

Opt. Accessories (p.10-12):

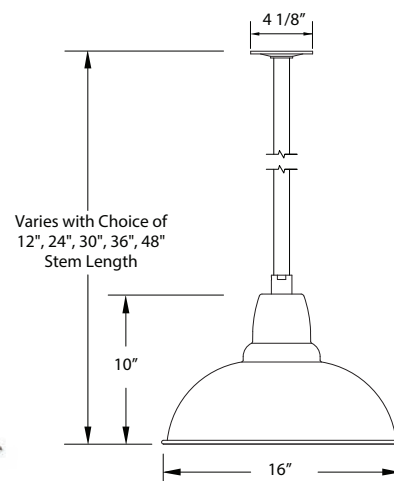
B03-Decorative Ceiling Canopy

B02-Sloped Ceiling Mount

G05-Weathertight Glass and Guard

L13-Integrated LED

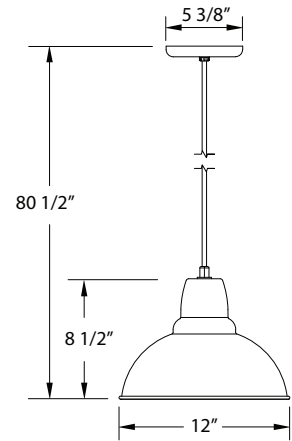
W16-Wire Gr II



## PEB106

Dims: 12"W x 80½"H  
 Cord: 6' Black SJT  
 Max Wattage: 100W Med. Base  
 Finish Shown: 44-White Gloss

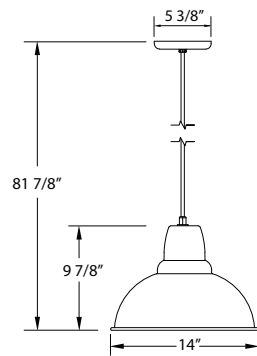
Opt. Accessories (p.10-12):  
 White SJT or Fabric Cord  
 G05-Weathertight Glass and Guard  
 L12-Integrated LED  
 W12-Wire Gr II



## PEB107

Dims: 14"W x 80½"H  
 Cord: 6' Black SJT  
 Max Wattage: 100W Med. Base  
 Finish Shown: 42-Forest Green

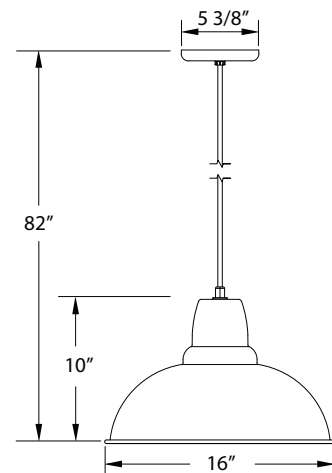
Opt. Accessories (p.10-12):  
 White SJT or Fabric Cord  
 G05-Weathertight Glass and Guard  
 L13-Integrated LED  
 W14-Wire Gr II



## PEB108

Dims: 16"W x 82"H  
 Cord: 6' Black SJT  
 Max Wattage: 100W Med. Base  
 Finish Shown: 55-Barn Red

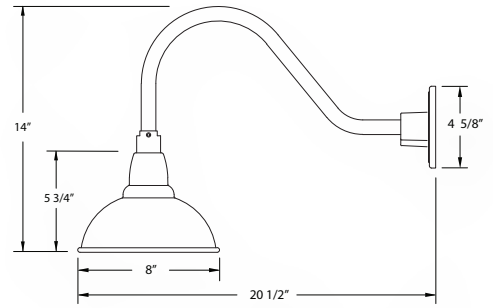
Opt. Accessories (p.10-12):  
 White SJT or Fabric Cord  
 G05-Weathertight Glass and Guard  
 L13-Integrated LED  
 W16-Wire Gr II



## GNA105

Dims: 8"W x 14"H x 20½"D, ½"IPS  
 Max Wattage: 100W Med. Base  
 Finish Shown: 40-Slate Gray

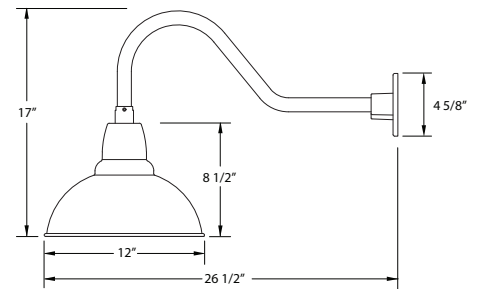
Opt. Accessories (p.10-12):  
 B01-Decorative Backplate Cover  
 G05-Weathertight Glass and Guard  
 L10-Integrated LED  
 S01-Swivel, W08-Wire Grill



## GNB106

Dims: 12"W x 17"H x 26½"D  
 Max Wattage: 100W Med. Base  
 Finish Shown: 41-Black

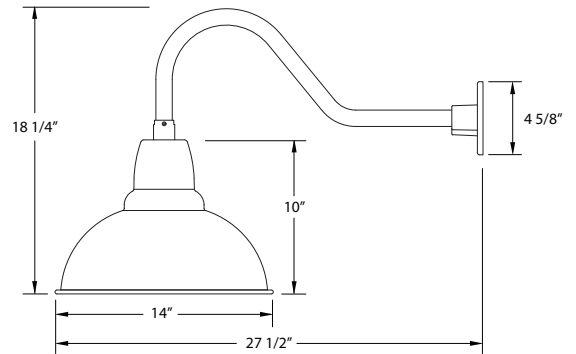
Opt. Accessories (p.10-12):  
 B03-Decorative Backplate Cover  
 G05-Weathertight Glass and Guard  
 L12-Integrated LED  
 S03-Swivel, W12-Wire Grill



## GNB107

Dims: 14"W x 18 ¼"H x 27½"D  
 Max Wattage: 100W Med. Base  
 Finish Shown: 42-Forest Green

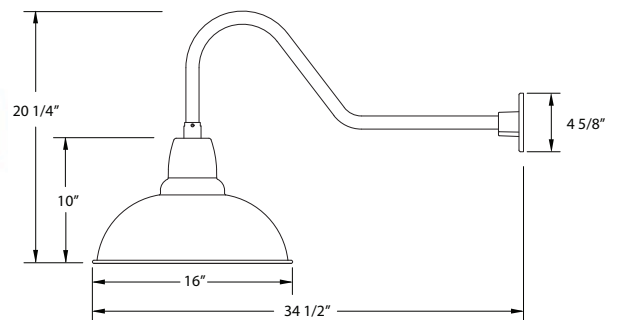
Opt. Accessories (p.10-12):  
 B03-Decorative Backplate Cover  
 G05-Weathertight Glass and Guard  
 L13-Integrated LED  
 S03-Swivel, W14-Wire Grill



## GNC108

Dims: 16"W x 20¼"H x 34½"D  
 Max Wattage: 100W Med. Base  
 Finish Shown: 48-Sea Green

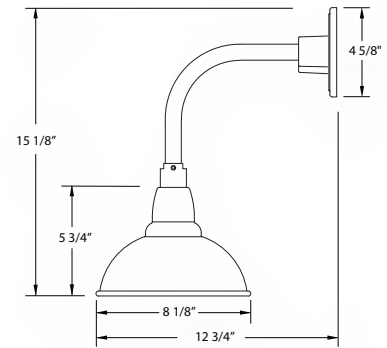
Opt. Accessories (p.10-12):  
 B03-Dec Backplate Cover  
 G05-Weathertight Glass and Guard  
 L13-Integrated LED  
 S03-Swivel, W16-Wire Grill



## GNT105

Dims: 8 $\frac{3}{8}$ "W x 15 $\frac{1}{8}$ "H x 12 $\frac{3}{4}$ "D,  $\frac{1}{2}$ "IPS  
 Max Wattage: 100W Med. Base  
 Finish Shown: 50-Navy

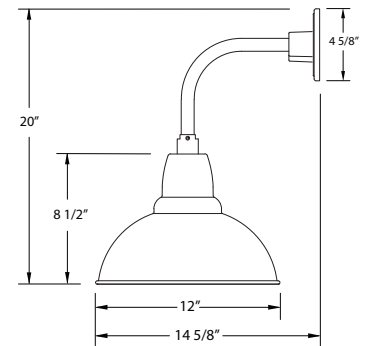
Opt. Accessories (p.10-12):  
 B01-Decorative Backplate Cover  
 G05-Weathertight Glass and Guard  
 L10-Integrated LED, W08-Wire Gr II



## GNT106

Dims: 12"W x 20"H x 14 $\frac{5}{8}$ "D,  $\frac{1}{2}$ "IPS  
 Max Wattage: 100W Med. Base  
 Finish Shown: 55-Barn Red

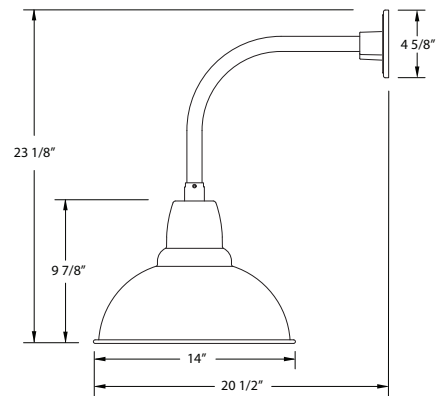
Opt. Accessories (p.10-12):  
 B01-Decorative Backplate Cover  
 G05-Weathertight Glass and Guard  
 L12-Integrated LED, W12-Wire Gr II



## GNU107

Dims: 14"W x 23 $\frac{1}{8}$ "H x 20 $\frac{1}{2}$ "D  
 Max Wattage: 100W Med. Base  
 Finish Shown: 54-Light Blue

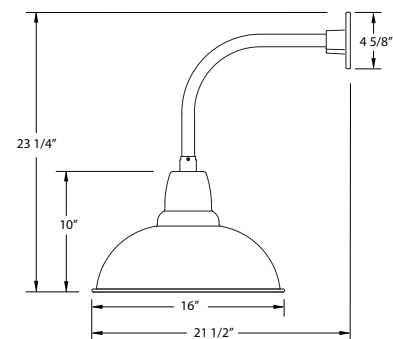
Opt. Accessories (p.10-12):  
 B03-Decorative Backplate Cover  
 G05-Weathertight Glass and Guard  
 L13-Integrated LED,  
 W14-Wire Gr II



## GNU108

Dims: 16"W x 20 $\frac{1}{4}$ "H x 34 $\frac{1}{2}$ "D  
 Max Wattage: 100W Med. Base  
 Finish Shown: 51-Architectural Bronze

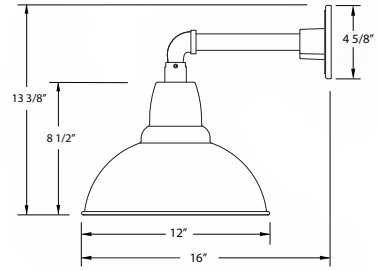
Opt. Accessories (p.10-12):  
 B03-Decorative Backplate Cover  
 G05-Weathertight Glass and Guard  
 L13-Integrated LED  
 W16-Wire Gr II



GNN106

Dims: 12"W x 13<sup>3</sup>/<sub>8</sub>"H x 16"D  
 Max Wattage: 100W Med. Base  
 Finish Shown: 44-White Gloss

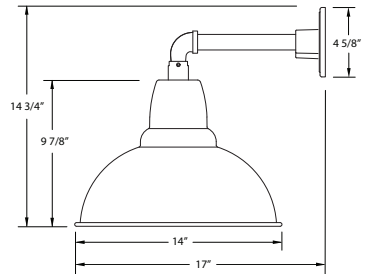
Opt. Accessories (p.10-12):  
 B03-Decorative Backplate Cover  
 G05-Weathertight Glass and Guard  
 L12-Integrated LED, W12-Wire Gr II



GNN107

Dims: 14"W x 14<sup>3</sup>/<sub>4</sub>"H x 17"D  
 Max Wattage: 100W Med. Base  
 Finish Shown: 50-Navy

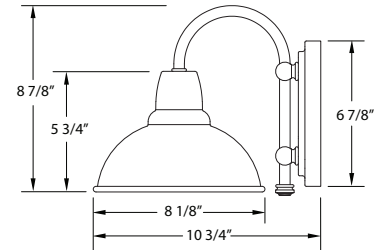
Opt. Accessories (p.10-12):  
 B03-Decorative Backplate Cover  
 G05-Weathertight Glass and Guard  
 L13-Integrated LED, W14-Wire Gr II



SCB105

Dims: 8<sup>1</sup>/<sub>8</sub>"W x 8<sup>7</sup>/<sub>8</sub>"H x 10<sup>3</sup>/<sub>4</sub>"D  
 Max Wattage: 100W Med. Base  
 Finish Shown: 51-Architectural Bronze

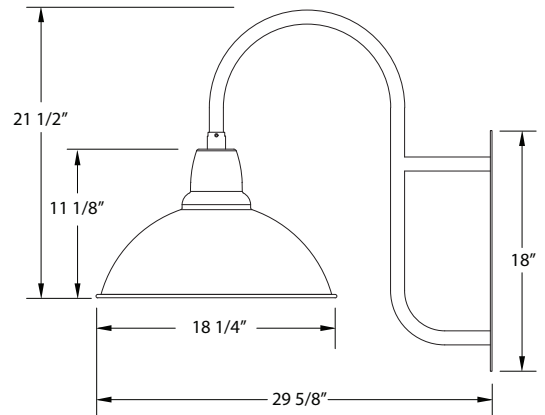
Opt. Accessories (p.10-12):  
 G05-Weathertight Glass and Guard  
 L10-Integrated LED  
 W08-Wire Gr II



WMF109

Dims: 18<sup>3</sup>/<sub>4</sub>"W x 21<sup>1</sup>/<sub>2</sub>"H x 29<sup>5</sup>/<sub>8</sub>"D  
 Max Wattage: 100W Med. Base  
 Finish Shown: 41-Black

Opt. Accessories (p.10-12):  
 G05-Weathertight Glass and Guard  
 L13-Integrated LED  
 W18-Wire Gr II



# DEEP BOWL



## FEATURES + BENEFITS

- Metal RLM shades are spun from heavy duty aluminum.
- Arm is Aluminum, 3/4" IPS, unless noted. Cast Backplate fits over 4/0 junction box.
- Dimmable with a dimmable bulb and compatible dimmer (not included).
- Polyester powder coat finish provides color retention and scratch resistance.
- White powder coat shade interior or for maximum light output.
- Painted galvanized finish has painted galvanized shade interior.
- Cord hung Pendants are UL listed for Dry location.
- Arm, Stem and Wall Mount are UL Listed for Wet Location.
- Warranty: Limited 1 year.
- Available in our standard finishes.
- Ships within 7-13 business days.
- Stem lengths offered for stem hung pendants: 12" standard, 24", 30", 36", 48" optional
- Optional Accessories shown on pages 10-12.



Weathertight Glass and Guard

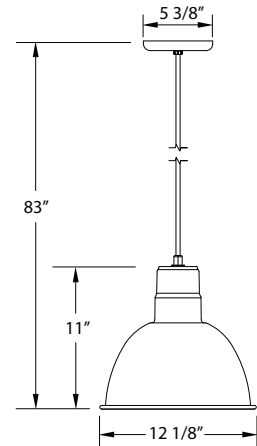


Wire Grill

## PEB116

Dims: 12 $\frac{3}{8}$ "W x 83"H  
 Cord: 6' Black SJT  
 Max Wattage: 100W Med. Base  
 Finish Shown: 51-Architectural Bronze

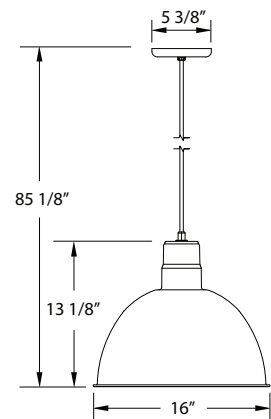
Opt. Accessories (p.10-12):  
 White SJT or Fabric Cord  
 G05-Weathertight Glass and Guard  
 L12-Integrated LED  
 W08-Wire Gr II



## PEB117

Dims: 16"W x 85 $\frac{1}{8}$ "H  
 Cord: 6' Black SJT  
 Max Wattage: 100W Med. Base  
 Finish Shown: 40-Slate Gray

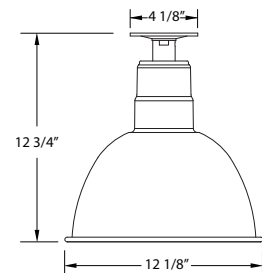
Opt. Accessories (p.10-12):  
 White SJT or Fabric Cord  
 G05-Weathertight Glass and Guard  
 L12-Integrated LED  
 W08-Wire Gr II



## FMB116

Dims: 12 $\frac{3}{8}$ "W x 12 $\frac{3}{4}$ "H  
 Max Wattage: 100W Med. Base  
 Finish Shown: 50-Navy

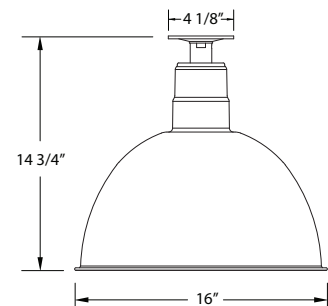
Opt. Accessories (p.10-12):  
 G05-Weathertight Glass and Guard  
 L12-Integrated LED  
 W08-Wire Gr II



## FMB117

Dims: 16"W x 14 $\frac{3}{4}$ "H  
 Max Wattage: 100W Med. Base  
 Finish Shown: 55-Barn Red

Opt. Accessories (p.10-12):  
 G05-Weathertight Glass and Guard  
 L13-Integrated LED  
 W08-Wire Gr II



# DEEP BOWL

## MSB114

Dims: 8"W x 22"L x Choice of Height:  
(22", 34", 40", 46", 58")

Max Wattage: 100W Med. Base

Finish Shown: 50-Navy

Opt. Accessories (p.10-12):

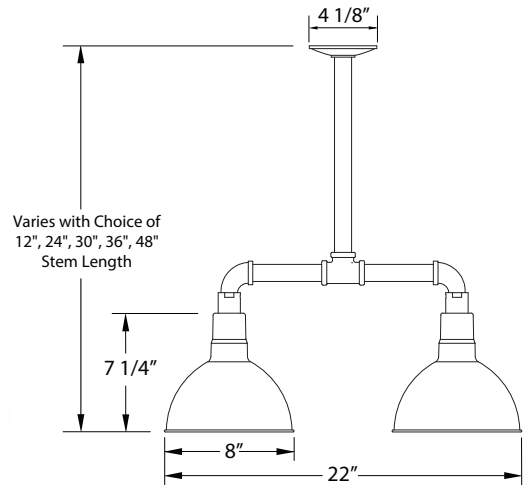
B03-Decorative Ceiling Canopy

B02-Sloped Ceiling Mount

G05-Weathertight Glass and Guard

L10-Integrated LED

W08-Wire Gr II



## MSD116

Dims: 12 1/8"W x 35 1/8"L x Choice of Height:  
(24 3/4", 36 3/4", 42 3/4", 48 3/4", 60 3/4")

Max Wattage: 100W Med. Base

Finish Shown: 55-Barn Red

Opt. Accessories (p.10-12):

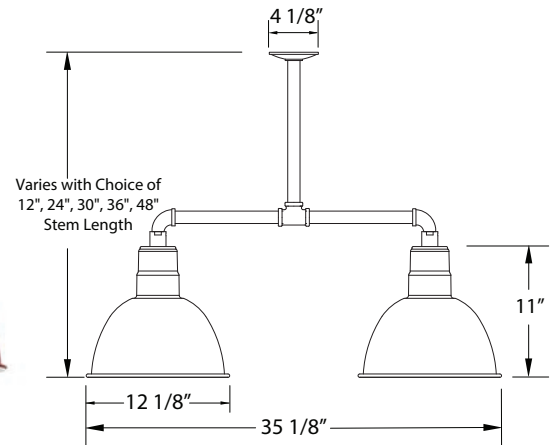
B03-Decorative Ceiling Canopy

B02-Sloped Ceiling Mount

G05-Weathertight Glass and Guard

L12-Integrated LED

W12-Wire Gr II



## MSD117

Dims: 16"W x 38 3/4"L x Choice of Height:  
(27 7/8", 39 7/8", 45 7/8", 51 7/8", 63 7/8")

Max Wattage: 100W Med. Base

Finish Shown: 41-Black

Opt. Accessories (p.10-12):

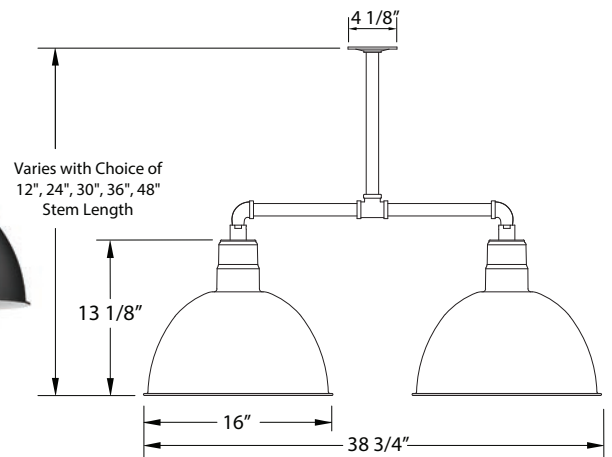
B03-Decorative Ceiling Canopy

B02-Sloped Ceiling Mount

G05-Weathertight Glass and Guard

L13-Integrated LED

W16-Wire Gr II





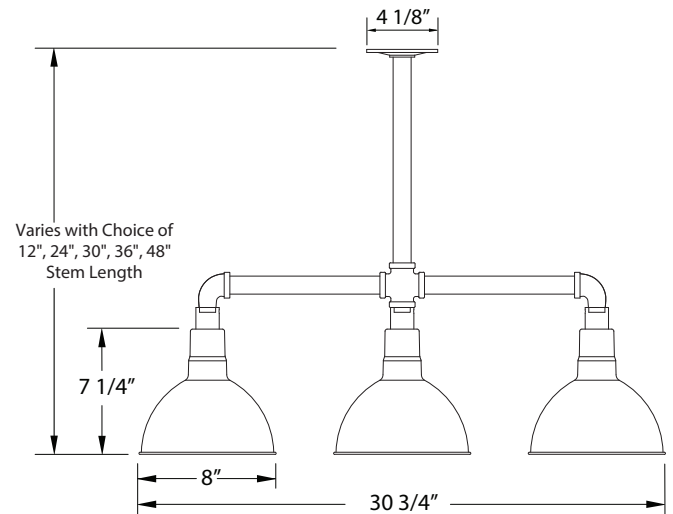
## MSK114

Dims: 8"W x 30<sup>3</sup>/<sub>4</sub>"L x Choice of Height: (20", 32", 38", 44", 56")

Max Wattage: 100W Med. Base

Finish Shown: 54-Light Blue

Opt. Accessories (p.10-12): B03-Decorative Ceiling Canopy, B02-Sloped Ceiling Mount, G05-Weathertight Glass and Guard, L10-Integrated LED, W08-Wire Gr II



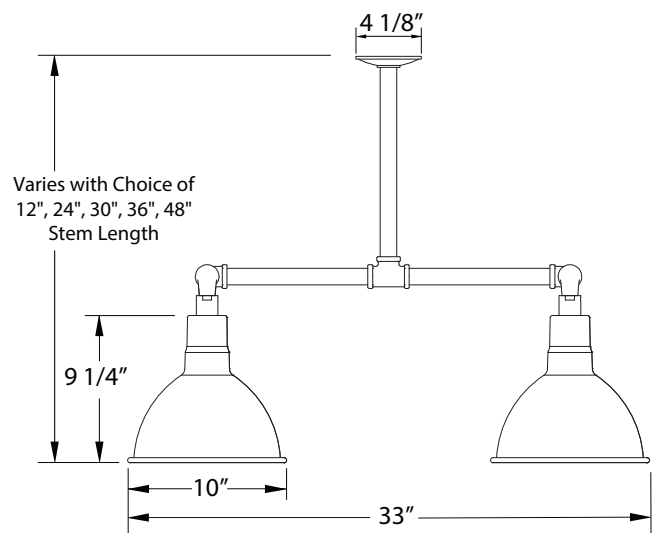
## MSP115

Dims: 10"W x 33"L x 33"D x Choice of Height: (24", 30", 42", 48", 60")

Max Wattage: 100W Med. Base

Finish Shown: 49-Painted Galvanized

Opt. Accessories (p.10-12): B03-Decorative Ceiling Canopy, B02-Sloped Ceiling Mount, G05-Weathertight Glass and Guard, L12-Integrated LED, W10-Wire Gr II



# DEEP BOWL

## STA116

Dims: 12 $\frac{1}{8}$ "W x  $\frac{1}{2}$ " IPS x Choice of Height:  
(23 $\frac{1}{4}$ ", 35 $\frac{1}{4}$ ", 41 $\frac{1}{4}$ ", 47 $\frac{1}{4}$ ", 59 $\frac{1}{4}$ ")

Max Wattage: 100W Med. Base

Finish Shown: 48-Sea Green

Opt. Accessories (p.10-12):

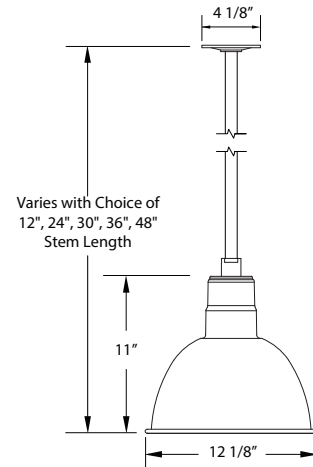
B01-Decorative Ceiling Canopy

B02-Sloped Ceiling Mount

G05-Weathertight Glass and Guard

L12-Integrated LED

W12-Wire Gr II



## STB117

Dims: 16"W x Choice of Height:  
(25 $\frac{3}{8}$ ", 37 $\frac{3}{8}$ ", 43 $\frac{3}{8}$ ", 49 $\frac{3}{8}$ ", 61 $\frac{3}{8}$ ")

Max Wattage: 100W Med. Base

Finish Shown: 44-White Gloss

Opt. Accessories (p.10-12):

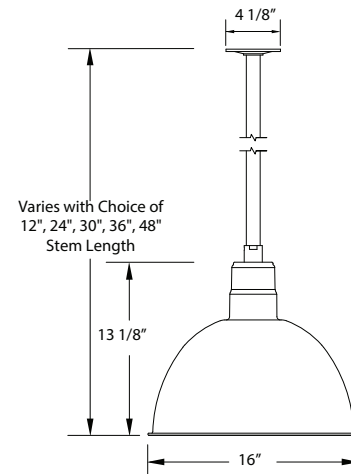
B03-Decorative Ceiling Canopy

B02-Sloped Ceiling Mount

G05-Weathertight Glass and Guard

L13-Integrated LED

W16-Wire Gr II



## WMF117

Dims: 16"W x 23 $\frac{1}{2}$ "H x 28 $\frac{5}{8}$ "D

Max Wattage: 100W Med. Base

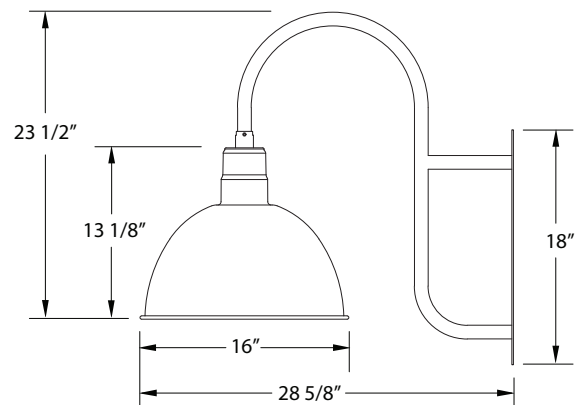
Finish Shown: 41-Black

Opt. Accessories (p.10-12):

G05-Weathertight Glass and Guard

L13-Integrated LED

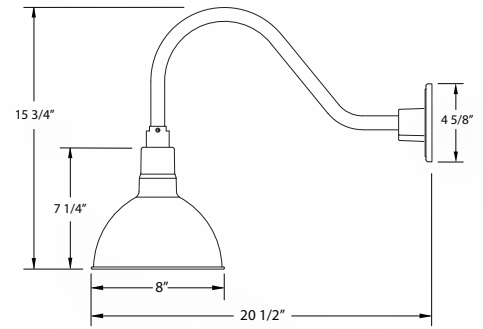
W16-Wire Gr II



## GNA114

Dims: 8"W x 15<sup>3</sup>/<sub>4</sub>"H x 20<sup>1</sup>/<sub>2</sub>"D, ½"IPS  
 Max Wattage: 100W Med. Base  
 Finish Shown: 51-Arch. Bronze

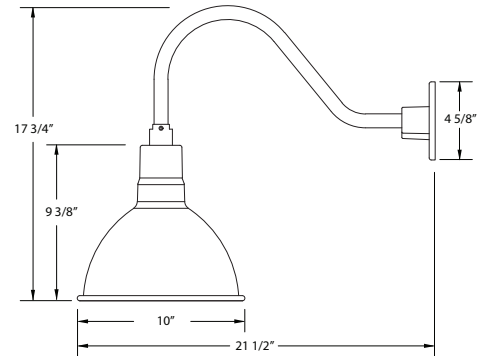
Opt. Accessories (p.10-12):  
 B01-Decorative Backplate Cover  
 G05-Weathertight Glass and Guard  
 L10-Integrated LED  
 S01-Swivel, W08-Wire Grill



## GNA115

Dims: 10"W x 17<sup>3</sup>/<sub>4</sub>"H x 21<sup>1</sup>/<sub>2</sub>"D, ½"IPS  
 Max Wattage: 100W Med. Base  
 Finish Shown: 42-Forest Green

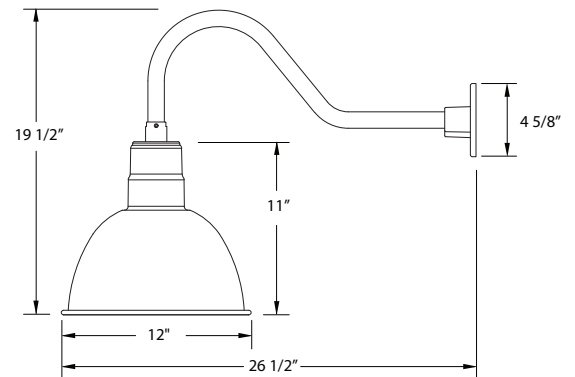
Opt. Accessories (p.10-12):  
 B01-Decorative Backplate Cover  
 G05-Weathertight Glass and Guard  
 L12-Integrated LED  
 S01-Swivel, W10-Wire Grill



## GNB116

Dims: 12"W x 19<sup>1</sup>/<sub>2</sub>"H x 26<sup>1</sup>/<sub>2</sub>"D  
 Max Wattage: 100W Med. Base  
 Finish Shown: 55-Barn Red

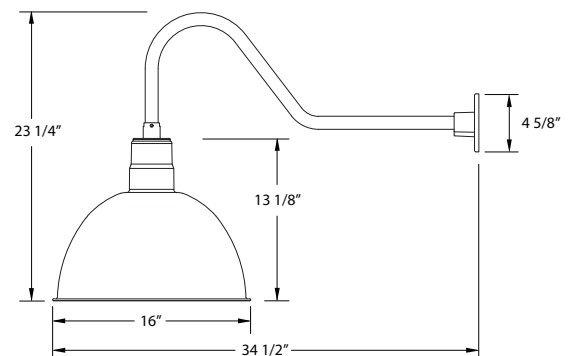
Opt. Accessories (p.10-12):  
 B03-Decorative Backplate Cover  
 G05-Weathertight Glass and Guard  
 L12-Integrated LED  
 S03-Swivel, W12-Wire Grill



## GNC117

Dims: 16"W x 23<sup>1</sup>/<sub>4</sub>"H x 34<sup>1</sup>/<sub>2</sub>"D  
 Max Wattage: 100W Med. Base  
 Finish Shown: 50-Navy

Opt. Accessories (p.10-12):  
 B03-Decorative Backplate  
 Cover G05-Weathertight  
 Glass and Guard,  
 L13-Integrated LED  
 S03-Swivel, W16-Wire Grill

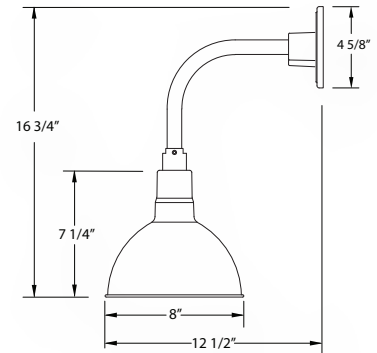


# DEEP BOWL

## GNT114

Dims: 8"W x 16<sup>3</sup>/<sub>4</sub>"H x 12<sup>1</sup>/<sub>2</sub>"D, 1/2"IPS  
Max Wattage: 100W Med. Base  
Finish Shown: 49-Painted Galvanized

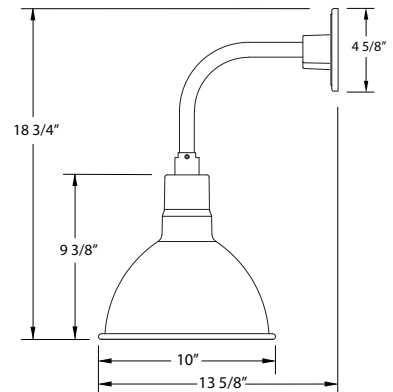
Opt. Accessories (p.10-12):  
B01-Decorative Backplate Cover  
G05-Weathertight Glass and Guard  
L10-Integrated LED, W08-Wire Gr II



## GNT115

Dims: 10"W x 18<sup>3</sup>/<sub>4</sub>"H x 13<sup>5</sup>/<sub>8</sub>"D, 1/2" IPS  
Max Wattage: 100W Med. Base  
Finish Shown: 55-Barn Red

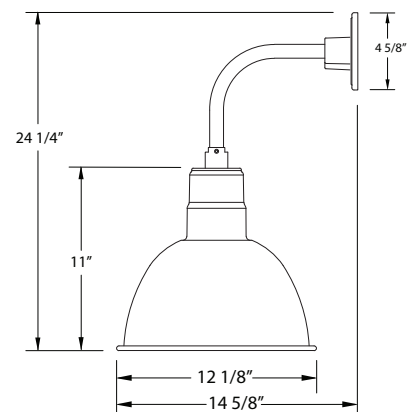
Opt. Accessories (p.10-12):  
B01-Decorative Backplate Cover  
G05-Weathertight Glass and Guard  
L12-Integrated LED, W10-Wire Gr II



## GNT116

Dims: 12<sup>1</sup>/<sub>8</sub>"W x 24<sup>1</sup>/<sub>4</sub>"H x 14<sup>5</sup>/<sub>8</sub>"D, 1/2" IPS  
Max Wattage: 100W Med. Base  
Finish Shown: 44-White Gloss

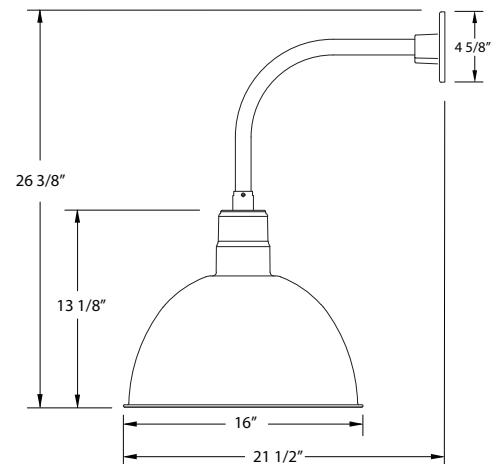
Opt. Accessories (p.10-12):  
B01-Decorative Backplate Cover  
G05-Weathertight Glass and Guard  
L12-Integrated LED, W12-Wire Gr II



## GNU117

Dims: 16"W x 26<sup>3</sup>/<sub>8</sub>"H x 21<sup>1</sup>/<sub>2</sub>"D  
Max Wattage: 100W Med. Base  
Finish Shown: 40-Slate Gray

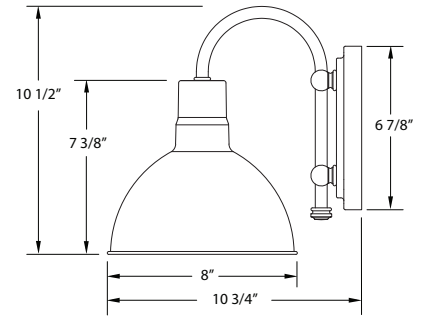
Opt. Accessories (p.10-12):  
B03-Decorative Backplate Cover  
G05-Weathertight Glass and Guard  
L13-Integrated LED, W16-Wire Gr II



## SCB114

Dims: 8"W x 10½"H x 10¼"D  
 Max Wattage: 100W Med. Base  
 Finish Shown: 51-Architectural Bronze

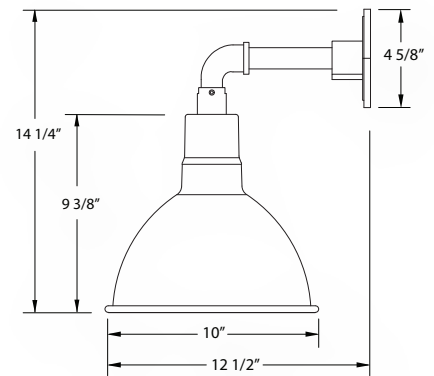
Opt. Accessories (p.10-12):  
 G05-Weathertight Glass and Guard  
 L10-Integrated LED  
 W08-Wire Gr II



## GNM115

Dims: 10"W x 14¼"H x 12½"D  
 Max Wattage: 100W Med. Base  
 Finish Shown: 50-Navy

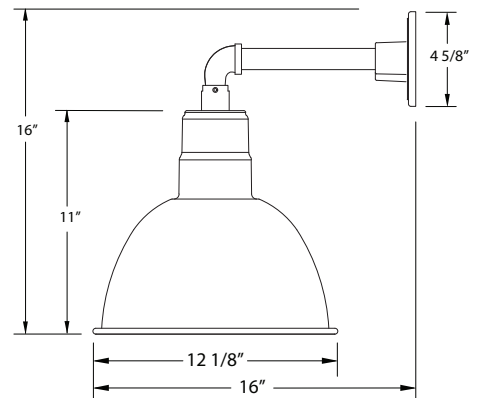
Opt. Accessories (p.10-12):  
 B03-Decorative Backplate Cover  
 G05-Weathertight Glass and Guard  
 L12-Integrated LED  
 W10-Wire Gr II



## GNN116

Dims: 12¾"W x 16"H x 16"D  
 Max Wattage: 100W Med. Base  
 Finish Shown: 42-Forest Green

Opt. Accessories (p.10-12):  
 B03-Decorative Backplate Cover  
 G05-Weathertight Glass and Guard  
 L12-Integrated LED  
 W12-Wire Gr II





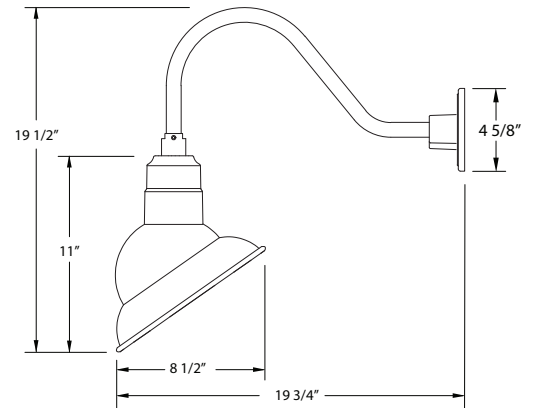
## FEATURES + BENEFITS

- Metal RLM shades are spun from heavy duty aluminum.
- Arm is Aluminum, 3/4" IPS, unless noted. Cast Backplate fits over 4/0 junction box.
- Dimmable with a dimmable bulb and compatible dimmer (not included).
- Polyester powder coat finish provides color retention and scratch resistance.
- White powder coat shade inter or for maximum light output.
- Painted galvanized finish has painted galvanized shade interior.
- UL Listed for Wet Location.
- Warranty: Limited 1 year.
- Available in our standard finishes.
- Ships within 7-13 business days.
- Optional Accessories shown on pages 10-12.

## GNA120

Dims: 8½"W x 19½"H x 19¾"D, ½" IPS  
 Max Wattage: 100W Med. Base  
 Finish Shown: 42-Forest Green

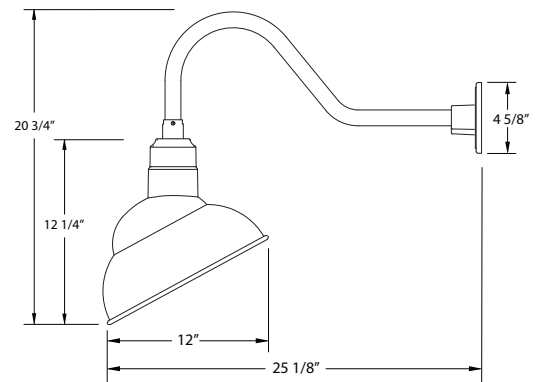
Opt. Accessories (p.10-12):  
 B01-Decorative Backplate Cover  
 L10-Integrated LED  
 S01-Swivel  
 W08-Wire Gr II



## GNB121

Dims: 12"W x 20¾"H x 25½"D  
 Max Wattage: 100W Med. Base  
 Finish Shown: 51-Architectural Bronze

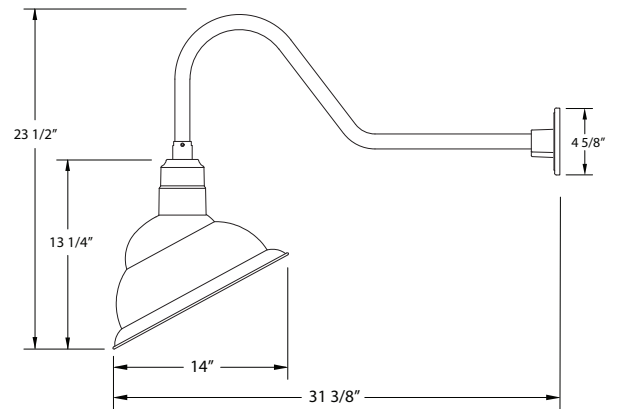
Opt. Accessories (p.10-12):  
 B03-Decorative Backplate Cover  
 L12-Integrated LED  
 S03-Swivel  
 W12-Wire Gr II



## GNC122

Dims: 14"W x 23½"H x 31¾"D  
 Max Wattage: 100W Med. Base  
 Finish Shown: Painted Galvanized

Opt. Accessories (p.10-12):  
 B03-Dec. Backplate Cover  
 L13-Integrated LED  
 S03-Swivel  
 W14-Wire Gr II





## FEATURES + BENEFITS

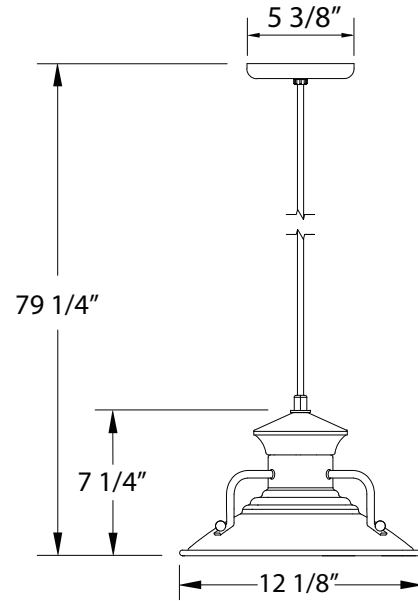
- Metal RLM shades are spun from heavy duty aluminum.
- Arm is Aluminum, 3/4" IPS, unless noted. Cast Backplate fits over 4/0 junction box.
- Dimmable with a dimmable bulb and compatible dimmer (not included).
- Polyester powder coat finish provides color retention and scratch resistance.
- White powder coat shade inter or for maximum light output.
- Painted galvanized finish has painted galvanized shade interior.
- Cord hung Pendants are UL listed for Dry location. Arm, Stem and Wall Mount are UL Listed for Wet Location.
- Warranty: Limited 1 year.
- Available in our standard finishes.
- Ships within 7-13 business days.
- Stem lengths offered for stem hung pendants: 12" standard, 24", 30", 36", 48" optional
- Optional Accessories shown on pages 10-12.



### PEB142

Dims: 12 $\frac{1}{8}$ "W x 79"H  
 Cord: 6' Black SJT  
 Max Wattage: 100W Med. Base  
 Finish Shown: 55-Barn Red

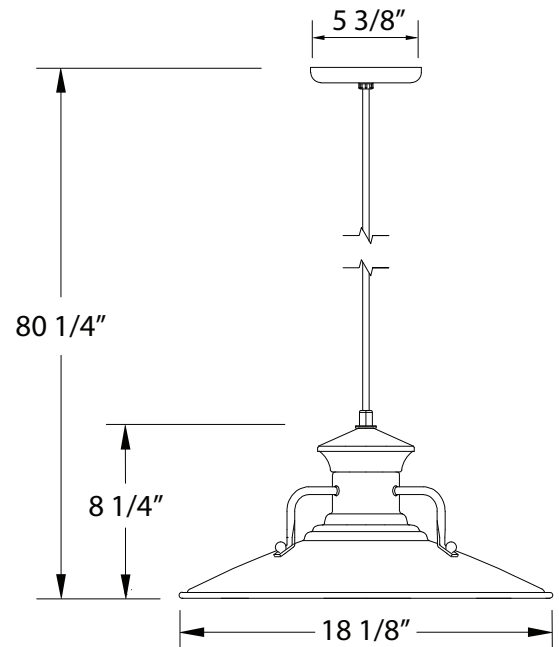
Opt. Accessories (p.10-12):  
 White SJT or Fabric Cord  
 G05-Weathertight Glass and Guard  
 L12-Integrated LED



### PEB143

Dims: 18 $\frac{1}{8}$ "W x 80 $\frac{1}{4}$ "H  
 Cord: 6' Black SJT  
 Max Wattage: 100W Med. Base  
 Finish Shown: 49-Painted Galvanized

Opt. Accessories (p.10-12):  
 White SJT or Fabric Cord  
 G05-Weathertight Glass and Guard  
 L13-Integrated LED



## STA142

Dims: 12 $\frac{3}{8}$ "W x  $\frac{1}{2}$ "IPS x Choice of Height:  
(19 $\frac{1}{2}$ ", 31 $\frac{1}{2}$ ", 37 $\frac{1}{2}$ ", 43 $\frac{1}{2}$ ", 55 $\frac{1}{2}$ ")

Max Wattage: 100W Med. Base

Finish Shown: 42-Forest Green

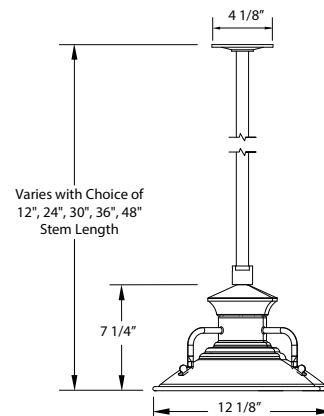
Opt. Accessories (p.10-12):

B01-Decorative Ceiling Canopy

B02-Sloped Ceiling Mount

G05-Weathertight Glass and Guard

L12-Integrated LED



## STB143

Dims: 18 $\frac{3}{4}$ "W x Choice of Height:  
(20 $\frac{3}{4}$ ", 32 $\frac{3}{4}$ ", 38 $\frac{3}{4}$ ", 44 $\frac{3}{4}$ ", 56 $\frac{3}{4}$ ")

Max Wattage: 100W Med. Base

Finish Shown: 51-Architectural Bronze

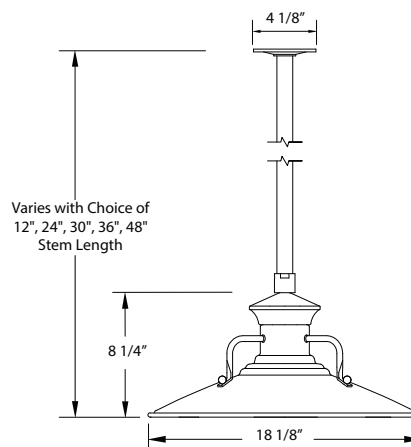
Opt. Accessories (p.10-12):

B03-Decorative Ceiling Canopy

B02-Sloped Ceiling Mount

G05-Weathertight Glass and Guard

L13-Integrated LED



## SCB140

Dims: 8"W x 6 $\frac{1}{2}$ "H x 10 $\frac{3}{4}$ "D

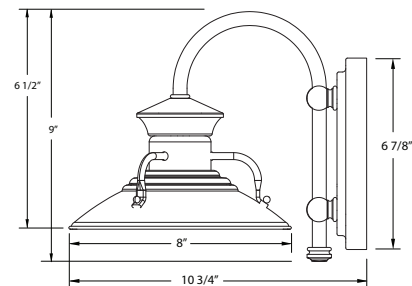
Max Wattage: 100W Med. Base

Finish Shown: 40-Slate Gray

Opt. Accessories (p.8-10)

G05-Weathertight Glass and Guard

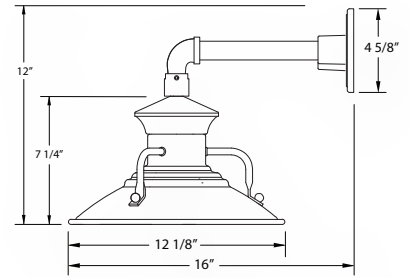
L12-Integrated LED



## GNN142

Dims: 12 $\frac{1}{8}$ "W x 12"H x 16"D  
 Max Wattage: 100W Med. Base  
 Finish Shown: 51-Architectural Bronze

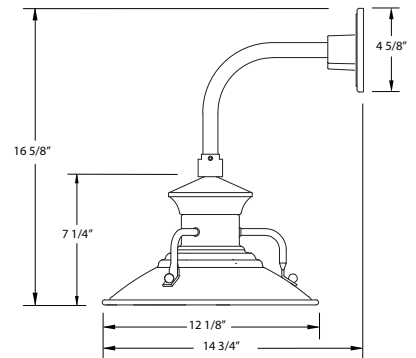
Opt. Accessories (p.10-12):  
 B03-Decorative Backplate Cover  
 G05-Weathertight Glass and Guard  
 L12-Integrated LED



## GNT142

Dims: 12 $\frac{1}{8}$ "W x 16 $\frac{5}{8}$ "H x 14 $\frac{3}{4}$ "D  
 Max Wattage: 100W Med. Base  
 Finish Shown: 55-Barn Red

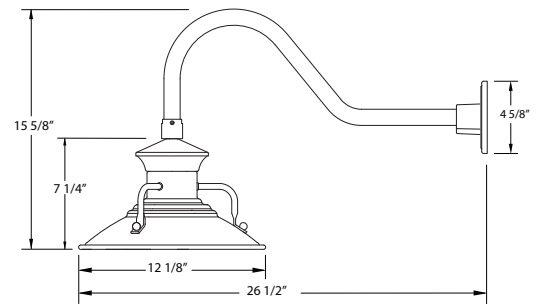
Opt. Accessories (p.10-12):  
 B03-Decorative Backplate Cover  
 G05-Weathertight Glass and Guard  
 L12-Integrated LED



## GNB142

Dims: 12 $\frac{1}{8}$ "W x 15 $\frac{5}{8}$ "H x 26 $\frac{1}{2}$ "D  
 Max Wattage: 100W Med. Base  
 Finish Shown: 49-Painted Galvanized

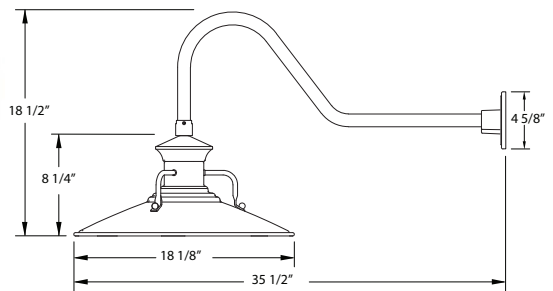
Opt. Accessories (p.10-12):  
 B03-Dec. Backplate Cover  
 G05-Weathertight Glass and Guard  
 L12-Integrated LED, S03-Swivel



## GNC143

Dims: 18 $\frac{1}{8}$ "W x 18 $\frac{1}{2}$ "H x 35 $\frac{1}{2}$ "D  
 Max Wattage: 100W Med. Base  
 Finish Shown: 41-Black

Opt. Accessories (p.10-12):  
 B03-Decorative Backplate Cover  
 G05-Weathertight Glass and Guard  
 L13-Integrated LED, S03-Swivel





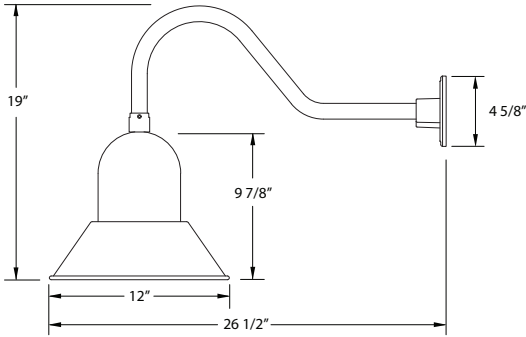
## FEATURES + BENEFITS

- Metal RLM shades are spun from heavy duty aluminum.
- Arm is Aluminum, 3/4" IPS, unless noted. Cast Backplate fits over 4/0 junction box.
- Dimmable with a dimmable bulb and compatible dimmer (not included).
- Polyester powder coat finish provides color retention and scratch resistance.
- White powder coat shade interior for maximum light output.
- Painted galvanized finish has painted galvanized shade interior.
- Cord hung Pendants are UL listed for Dry location. Arm, Stem and Wall Mount are UL Listed for Wet Location.
- Warranty: Limited 1 year.
- Available in our standard finishes.
- Ships within 7-13 business days.
- Stem lengths offered for stem hung pendants: 12" standard, 24", 30", 36", 48" optional
- Optional Accessories shown on pages 10-12.

### GNB123

Dims: 12"W x 19"H x 26½"D  
 Max Wattage: 100W Med. Base  
 Finish Shown: Black

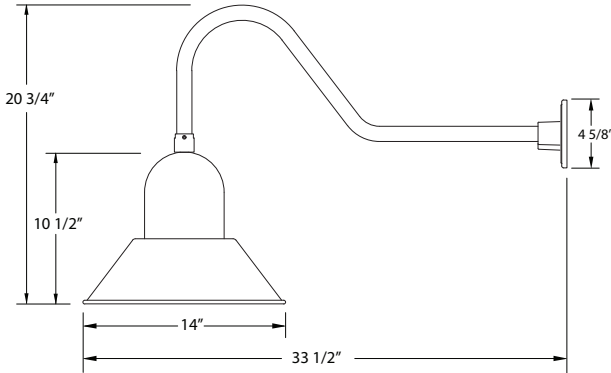
Opt. Accessories (p.10-12):  
 B03-Decorative Backplate Cover  
 G05-Weathertight Glass and Guard  
 L12-Integrated LED  
 S03-Swivel



### GNC124

Dims: 14"W x 20¾"H x 33½"D  
 Max Wattage: 100W Med. Base  
 Finish Shown: 40-Slate Gray

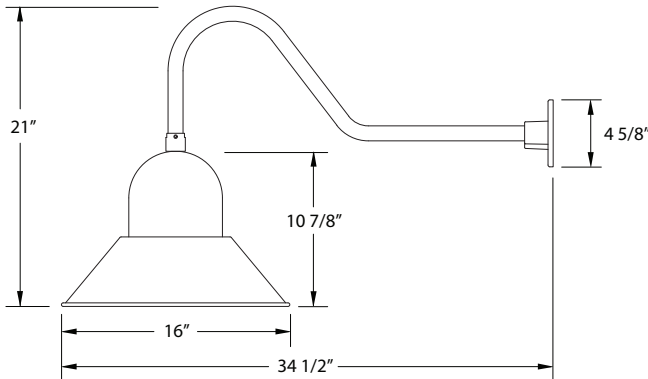
Opt. Accessories (p.10-12):  
 B03-Decorative Backplate Cover  
 S03-Swivel,  
 G05-Weathertight Glass and Guard  
 L13-Integrated LED



### GNC125

Dims: 16"W x 21"H x 34½"D  
 Max Wattage: 100W Med. Base  
 Finish Shown: 54-Light Blue

Opt. Accessories (p.10-12):  
 B03-Decorative Backplate Cover  
 G05-Weathertight Glass and Guard,  
 L13-Integrated LED  
 S03-Swivel



## STA124

Dims: 14"W x ½"IPS x Choice of Height:  
(22¾", 34¾", 36¾", 42¾", 54¾")

Max Wattage: 100W Med. Base

Finish Shown: 44-White Gloss

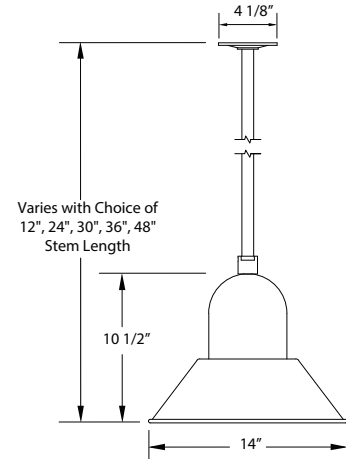
Opt. Accessories (p.10-12):

B01-Decorative Ceiling Canopy

B02-Sloped Ceiling Mount

G05-Weathertight Glass and Guard

L13-Integrated LED



## STB125

Dims: 16"W x Choice of Height: (23½", 35",  
41½", 47½", 59½")

Max Wattage: 100W Med. Base

Finish Shown: 51-Architectural Bronze

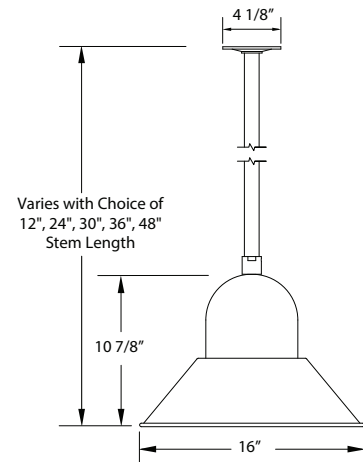
Opt. Accessories (p.10-12):

B03-Decorative Ceiling Canopy

B02-Sloped Ceiling Mount

G05-Weathertight Glass and Guard

L13-Integrated LED



## MSD123

Dims: 12"W x 35"L x Choice of Height:  
(24½", 36½", 42½", 48½", 60½")

Max Wattage: 100W Med. Base

Finish Shown: 50-Navy

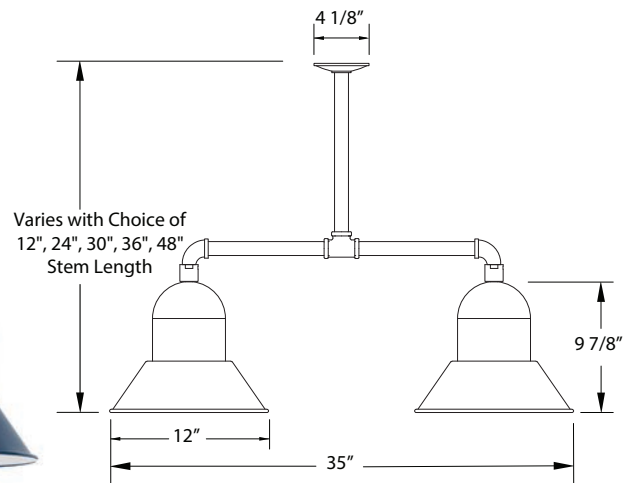
Opt. Accessories (p.10-12):

B03-Decorative Ceiling Canopy B02-  
Sloped Ceiling

Mount G05-  
Weathertight

Glass and Guard

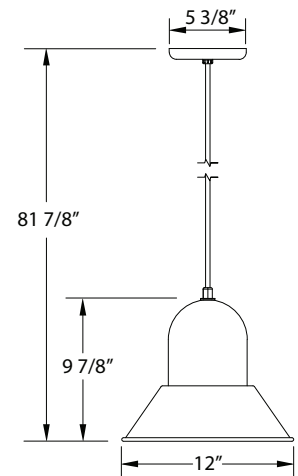
L12-Integrated LED



## PEB123

Dims: 12"W x 81<sup>7</sup>/<sub>8</sub>"H  
 Cord: 6' Black SJT  
 Max Wattage: 100W Med. Base  
 Finish Shown: 48-Sea Green

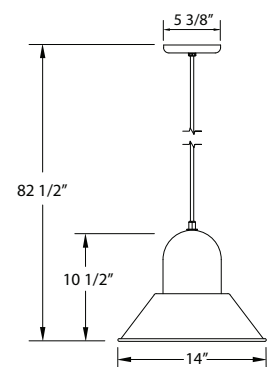
Opt. Accessories (p.10-12):  
 White SJT or Fabric Cord  
 G05-Weathertight Glass and Guard  
 L12-Integrated LED



## PEB124

Dims: 14"W x 82<sup>1</sup>/<sub>2</sub>"H  
 Cord: 6' Black SJT  
 Max Wattage: 100W Med. Base  
 Finish Shown: 49-Painted Galvanized

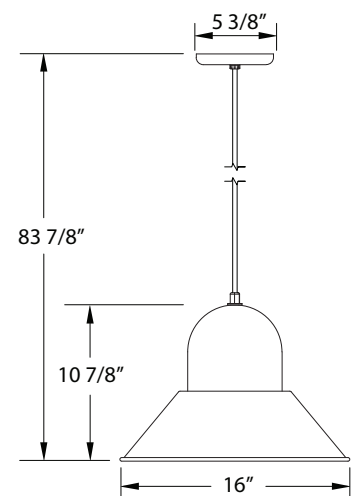
Opt. Accessories (p.10-12):  
 White SJT or Fabric Cord  
 G05-Weathertight Glass and Guard  
 L13-Integrated LED



## PEB125

Dims: 16"W x 83<sup>7</sup>/<sub>8</sub>"H  
 Cord: 6' Black SJT  
 Max Wattage: 100W Med. Base  
 Finish Shown: 41-Black

Opt. Accessories (p.10-12):  
 White SJT or Fabric Cord  
 G05-Weathertight Glass and Guard  
 L13-Integrated LED





## FEATURES + BENEFITS

- Metal RLM shades are spun from heavy duty aluminum.
- Arm is Aluminum, 3/4" IPS, unless noted. Cast Backplate fits over 4/0 junction box.
- Dimmable with a dimmable bulb and compatible dimmer (not included).
- Polyester powder coat finish provides color retention and scratch resistance.
- White powder coat shade interior or for maximum light output.
- Painted galvanized finish has painted galvanized shade interior.
- Cord hung Pendants are UL listed for Dry location. Arm, Stem and Wall Mount are UL Listed for Wet Location.
- Warranty: Limited 1 year.
- Available in our standard finishes.
- Ships within 7-13 business days.
- Stem lengths offered for stem hung pendants: 12" standard, 24", 30", 36", 48" optional
- Optional Accessories shown on pages 10-12.



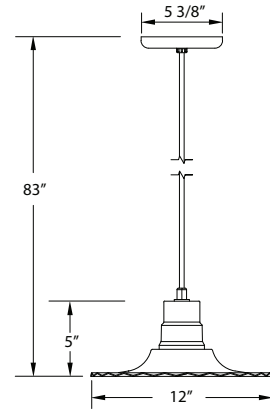
Weathertight Glass and Guard



## PEB158

Dims: 12"W x 83"H  
 Cord: 6' Black SJT  
 Max Wattage: 100W Med. Base  
 Finish Shown: 49-Painted Galvanized

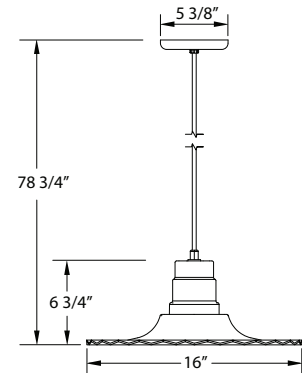
Opt. Accessories (p.10-12):  
 White SJT or Fabric Cord  
 G05-Weathertight Glass and Guard



## PEB159

Dims: 16"W x 78 3/4"H  
 Cord: 6' Black SJT  
 Max Wattage: 100W Med. Base  
 Finish Shown: 50-Navy

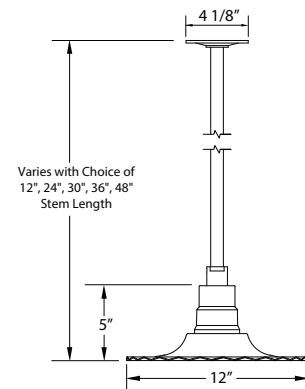
Opt. Accessories (p.10-12):  
 White SJT or Fabric Cord  
 G05-Weathertight Glass and Guard



## STA158

Dims: 12"W x Choice of Height:  
 (21 3/4", 33 3/4", 39 3/4", 45 3/4", 57 3/4")  
 Max Wattage: 100W Med. Base  
 Finish Shown: 48-Sea Green

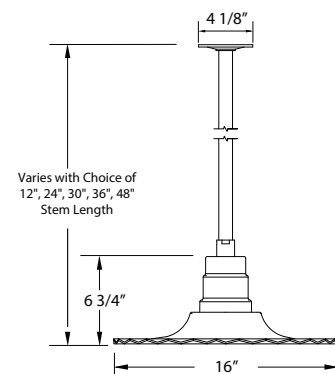
Opt. Accessories (p.10-12):  
 B03-Decorative Ceiling Canopy  
 B02-Sloped Ceiling Mount  
 G05-Weathertight Glass and Guard



## STA159

Dims: 16"W x Choice of Height:  
 (23", 35", 41", 47", 59")  
 Max Wattage: 100W Med. Base  
 Finish Shown: 51-Architectural Bronze

Opt. Accessories (p.10-12):  
 B03-Decorative Ceiling Canopy  
 B02-Sloped Ceiling Mount  
 G05-Weathertight Glass and Guard



## MSB157

Dims: 8"W x 22"L x Choice of Height:  
(19<sup>3</sup>/<sub>4</sub>", 31<sup>3</sup>/<sub>4</sub>", 37<sup>3</sup>/<sub>4</sub>", 43<sup>3</sup>/<sub>4</sub>", 55<sup>3</sup>/<sub>4</sub>"

Max Wattage: 100W Med. Base

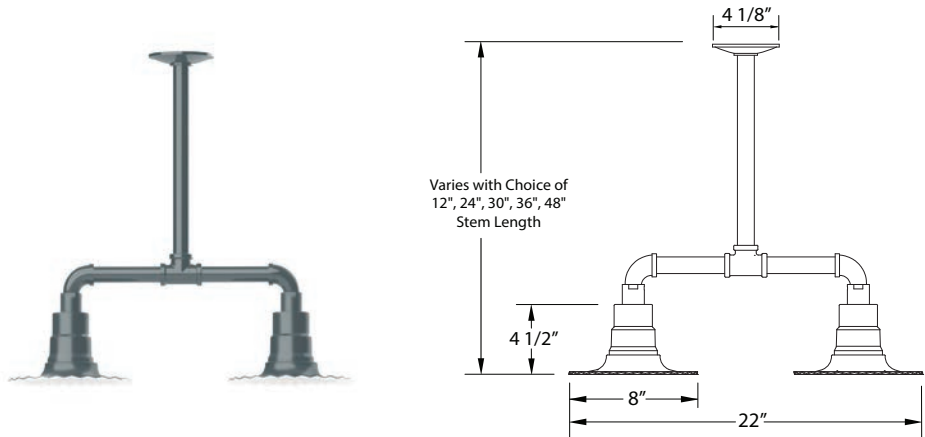
Finish Shown: 40-Slate Gray

Opt. Accessories (p.10-12):

B03-Decorative Ceiling Canopy

B02-Sloped Ceiling Mount

G05-Weathertight Glass and Guard



## MSD158

Dims: 12"W x 35"L x Choice of Height:  
(19<sup>3</sup>/<sub>4</sub>", 31<sup>3</sup>/<sub>4</sub>", 37<sup>3</sup>/<sub>4</sub>", 43<sup>3</sup>/<sub>4</sub>", 55<sup>3</sup>/<sub>4</sub>"

Max Wattage: 100W Med. Base

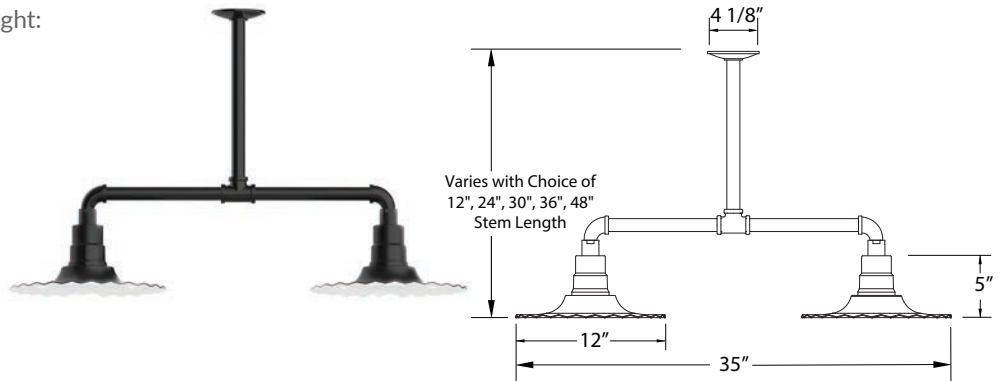
Finish Shown: 41-Black

Opt. Accessories (p.10-12):

B03-Decorative Ceiling Canopy

B02-Sloped Ceiling Mount

G05-Weathertight Glass and Guard



## MSD159

Dims: 16"W x 39<sup>5</sup>/<sub>8</sub>"L x Choice of Height:  
(27<sup>1</sup>/<sub>2</sub>", 39<sup>1</sup>/<sub>2</sub>", 45<sup>1</sup>/<sub>2</sub>", 51<sup>1</sup>/<sub>2</sub>", 63<sup>1</sup>/<sub>2</sub>"

Max Wattage: 100W Med. Base

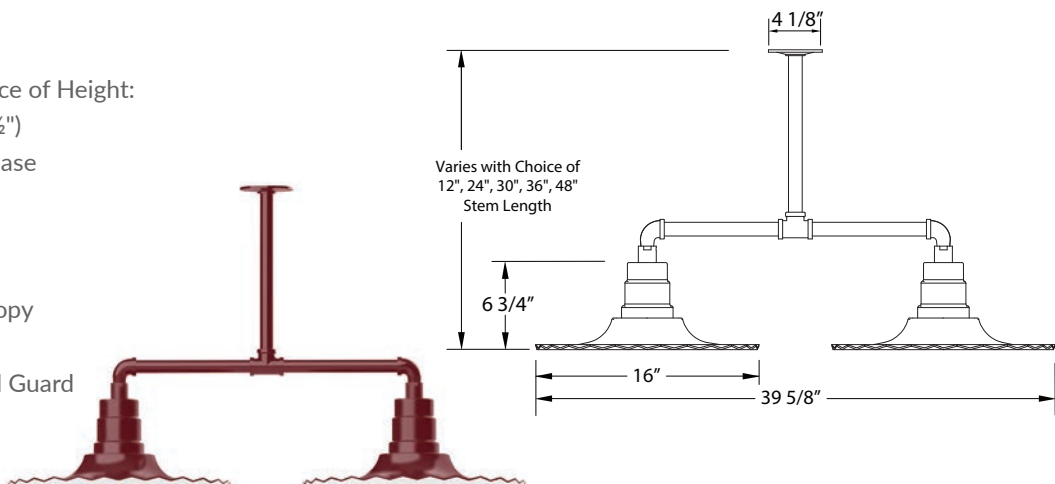
Finish Shown: 55-Barn Red

Opt. Accessories (p.10-12):

B03-Decorative Ceiling Canopy

B02-Sloped Ceiling Mount

G05-Weathertight Glass and Guard



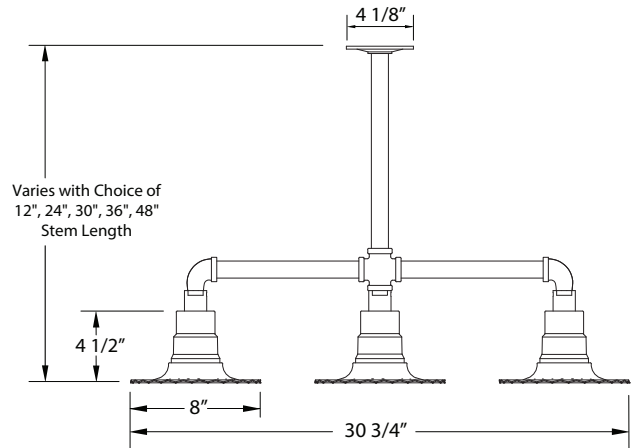
## MSK157

Dims: 8"W x 30<sup>3</sup>/<sub>4</sub>"L x Choice of Height: (19<sup>1</sup>/<sub>4</sub>", 31<sup>1</sup>/<sub>4</sub>", 37<sup>1</sup>/<sub>4</sub>", 43<sup>1</sup>/<sub>4</sub>", 55<sup>1</sup>/<sub>4</sub>"

Max Wattage: 100W Med. Base

Finish Shown: 48-Sea Green

Opt. Accessories (p.10-12): B03-Decorative Ceiling Canopy, B02-Sloped Ceiling Mount, G05-Weathertight Glass and Guard



## SCB157

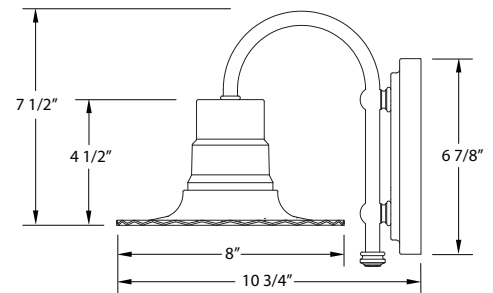
Dims: 8"W x 7<sup>1</sup>/<sub>2</sub>"H x 10<sup>3</sup>/<sub>4</sub>"D

Max Wattage: 100W Med. Base

Finish Shown: 50-Navy

Opt. Accessories (p.10-12):

G05-Weathertight Glass and Guard



## GNN158

Dims: 12"W x 9<sup>7</sup>/<sub>8</sub>"H x 16"D

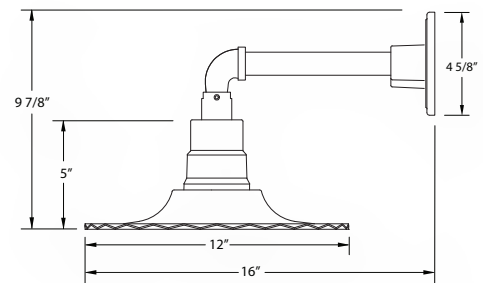
Max Wattage: 100W Med. Base

Finish Shown: 54-Light Blue

Opt. Accessories (p.10-12):

B03-Decorative Backplate Cover

G05-Weathertight Glass and Guard



## GNT157

Dims: 8"W x 13<sup>7</sup>/<sub>8</sub>"H x 12<sup>1</sup>/<sub>2</sub>"D, 1/2"IPS

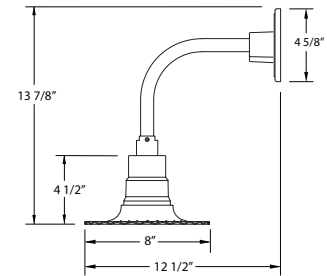
Max Wattage: 100W Med. Base

Finish Shown: 48-Sea Green

Opt. Accessories (p.10-12):

B01-Decorative Backplate Cover

G05-Weathertight Glass and Guard



## GNT158

Dims: 12"W x 14<sup>1</sup>/<sub>2</sub>"H x 14<sup>1</sup>/<sub>4</sub>"D, 1/2"IPS

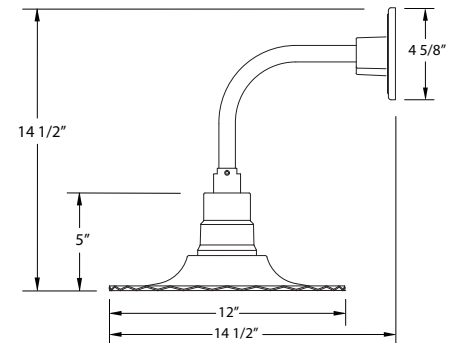
Max Wattage: 100W Med. Base

Finish Shown: 40-Slate Gray

Opt. Accessories (p.10-12):

B01-Decorative Backplate Cover

G05-Weathertight Glass and Guard



## GNU159

Dims: 16"W x 20"H x 22"D

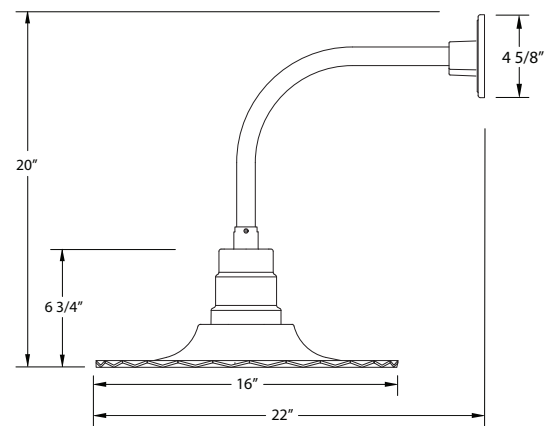
Max Wattage: 100W Med. Base

Finish Shown: 44-White Gloss

Opt. Accessories (p.10-12):

B03-Decorative Backplate Cover

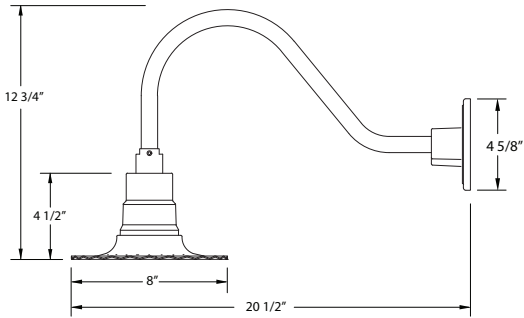
G05-Weathertight Glass and Guard



GNA157

Dims: 8"W x 12¾"H x 20½"D, ½"IPS  
 Max Wattage: 100W Med. Base  
 Finish Shown: 50-Navy

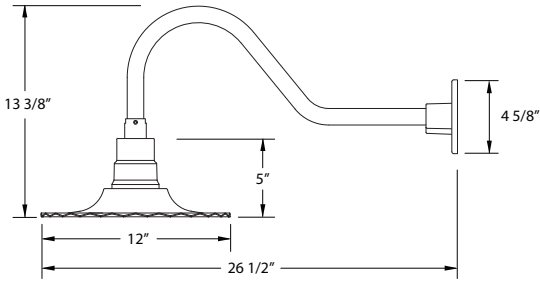
Opt. Accessories (p.10-12):  
 B01-Decorative Backplate Cover  
 G05-Weathertight Glass and Guard  
 S01-Swivel



GNB158

Dims: 12"W x 13¾"H x 26½"D  
 Max Wattage: 100W Med. Base  
 Finish Shown: 49-Painted Galvanized

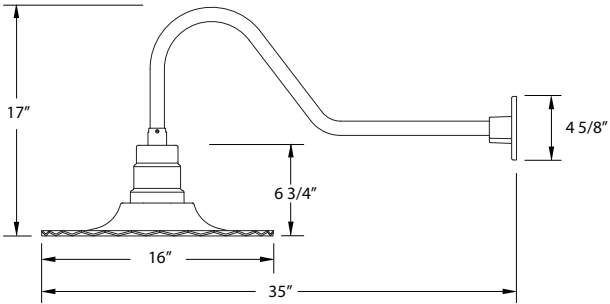
Opt. Accessories (p.10-12):  
 B03-Decorative Backplate Cover  
 G05-Weathertight Glass and Guard  
 S03-Swivel



GNC159

Dims: 16"W x 17"H x 35"D  
 Max Wattage: 100W Med. Base  
 Finish Shown: 41-Black

Opt. Accessories (p.10-12):  
 B03-Decorative Backplate Cover  
 G05-Weathertight Glass and Guard  
 S03-Swivel





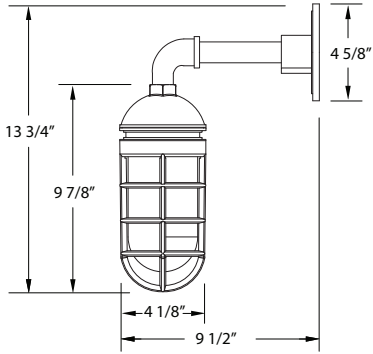
## FEATURES + BENEFITS

- Metal RLM shades are spun from heavy duty aluminum.
- Weathertight Glass (Clear is standard, Frosted optional) and Cast Aluminum Guard protect light source.
- Dimmable with a dimmable bulb and compatible dimmer (not included).
- Polyester powder coat finish provides color retention and scratch resistance.
- White powder coat shade interi or for maximum light output.
- Painted galvanized finish has painted galvanized shade interior.
- UL Listed for Wet Location.
- Warranty: Limited 1 year.
- Available in our standard finishes.
- Ships within 7-13 business days.
- Stem lengths offered for stem hung pendants: 12" standard, 24", 30", 36", 48" optional
- Optional Accessories shown on pages 10-12.

**GNM050**

Dims: 4 1/8"W x 13 3/4"H x 9 1/2"D  
 Max Wattage: 100W Med. Base  
 Finish Shown: 51-Architectural Bronze

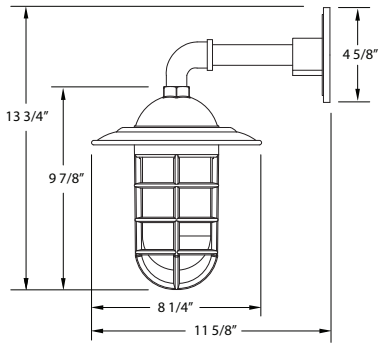
Opt. Accessories (p.10-12):  
 B03-Decorative Backplate Cover  
 G07-Frosted Weathertight Glass



**GNM052**

Dims: 8 1/4"W x 13 3/4"H x 11 5/8"D  
 Max Wattage: 100W Med. Base  
 Finish Shown: 55-Barn Red

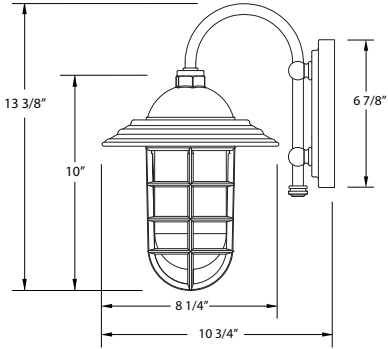
Opt. Accessories (p.10-12):  
 B03-Decorative Backplate Cover  
 G07-Frosted Weathertight Glass



**SCB052**

Dims: 8 1/4"W x 13 3/8"H x 10 3/4"D  
 Max Wattage: 100W Med. Base  
 Finish Shown: 50-Navy

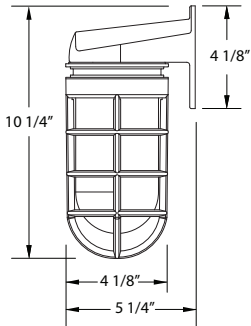
Opt. Accessories (p.10-12):  
 G07-Frosted Weathertight Glass



**SCW050**

Dims: 5 1/4"W x 10 1/4"H  
 Max Wattage: 100W Med. Base  
 Finish Shown: 49-Painted Galvanized

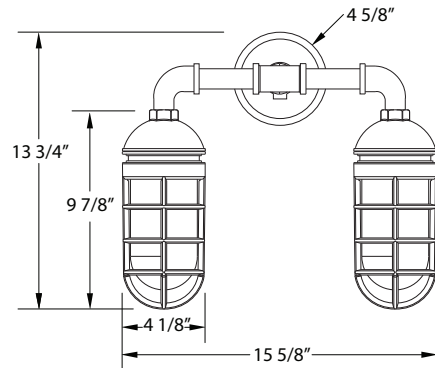
Opt. Accessories (p.10-12):  
 G07-Frosted Weathertight Glass



## GNP050

Dims: 15<sup>5</sup>/<sub>8</sub>"W x 13<sup>3</sup>/<sub>4</sub>"H x 8<sup>1</sup>/<sub>4</sub>"D  
 Max Wattage: 100W Med. Base  
 Finish Shown: 48-Sea Green

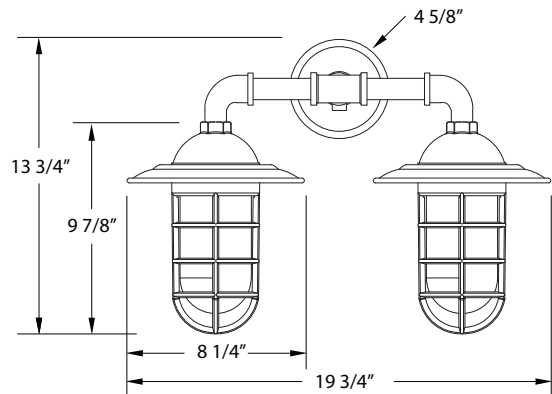
Opt. Accessories (p.10-12):  
 G07-Frosted Weathertight Glass



## GNP052

Dims: 19<sup>3</sup>/<sub>4</sub>"W x 13<sup>3</sup>/<sub>4</sub>"H x 10<sup>1</sup>/<sub>4</sub>"D  
 Max Wattage: 100W Med. Base  
 Finish Shown: 50-Navy

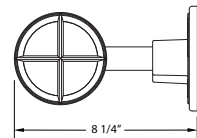
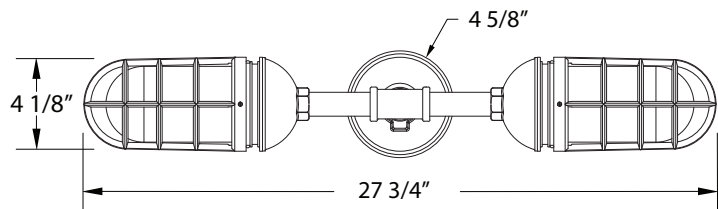
Opt. Accessories (p.10-12):  
 G07-Frosted Weathertight Glass



## GNQ050

Dims: 27<sup>3</sup>/<sub>4</sub>"W x 4<sup>1</sup>/<sub>8</sub>"H x 8<sup>1</sup>/<sub>4</sub>"D  
 Max Wattage: 100W Med. Base  
 Finish Shown: 55-Barn Red

Opt. Accessories (p.10-12):  
 G07-Frosted Weathertight Glass

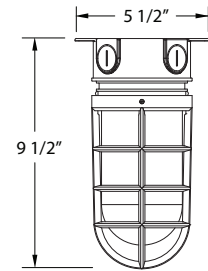




## FMC050

Dims: 5½"W x 9½"H  
 Max Wattage: 100W Med. Base  
 Finish Shown: 40-Slate Gray

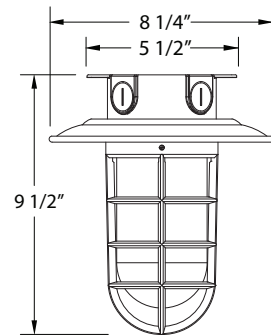
Opt. Accessories (p.10-12):  
 G07-Frosted Weathertight Glass



## FMC052

Dims: 8¼"W x 9½"H  
 Max Wattage: 100W Med. Base  
 Finish Shown: 42-Forest Green

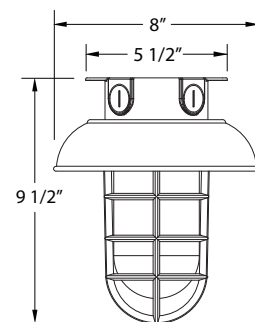
Opt. Accessories (p.10-12):  
 G07-Frosted Weathertight Glass



## FMC060

Dims: 8"W x 9½"H  
 Max Wattage: 100W Med. Base  
 Finish Shown: 41-Black

Opt. Accessories (p.10-12):  
 G07-Frosted Weathertight Glass



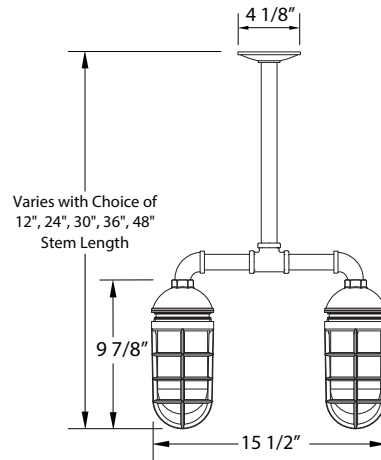
## MSA050

Dims: 4 $\frac{1}{8}$ "W x 15 $\frac{1}{2}$ "L x Choice of Height: (23 $\frac{3}{8}$ ", 35 $\frac{3}{8}$ ", 41 $\frac{3}{8}$ ", 47 $\frac{3}{8}$ ", 59 $\frac{3}{8}$ "")

Max Wattage: 100W Med. Base

Finish Shown: 54-Light Blue

Opt. Accessories (p.10-12): B03-Decorative Ceiling Canopy, B02-Sloped Ceiling Mount, G07-Frosted Weathertight Glass



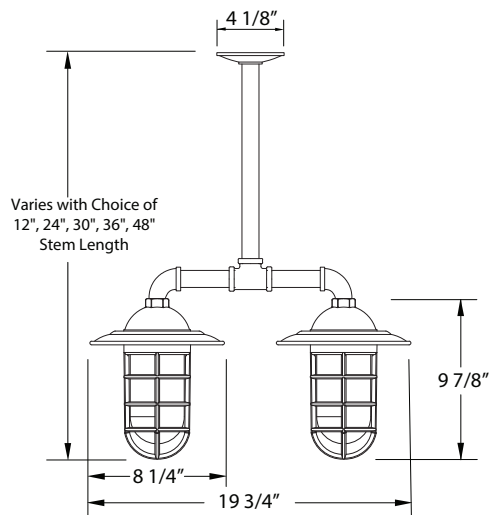
## MSA052

Dims: 8 $\frac{1}{4}$ "W x 19 $\frac{3}{4}$ "L x Choice of Height: (23 $\frac{3}{8}$ ", 35 $\frac{3}{8}$ ", 41 $\frac{3}{8}$ ", 47 $\frac{3}{8}$ ", 59 $\frac{3}{8}$ "")

Max Wattage: 100W Med. Base

Finish Shown: 51-Architectural Bronze

Opt. Accessories (p.10-12): B03-Decorative Ceiling Canopy, B02-Sloped Ceiling Mount, G07-Frosted Weathertight Glass



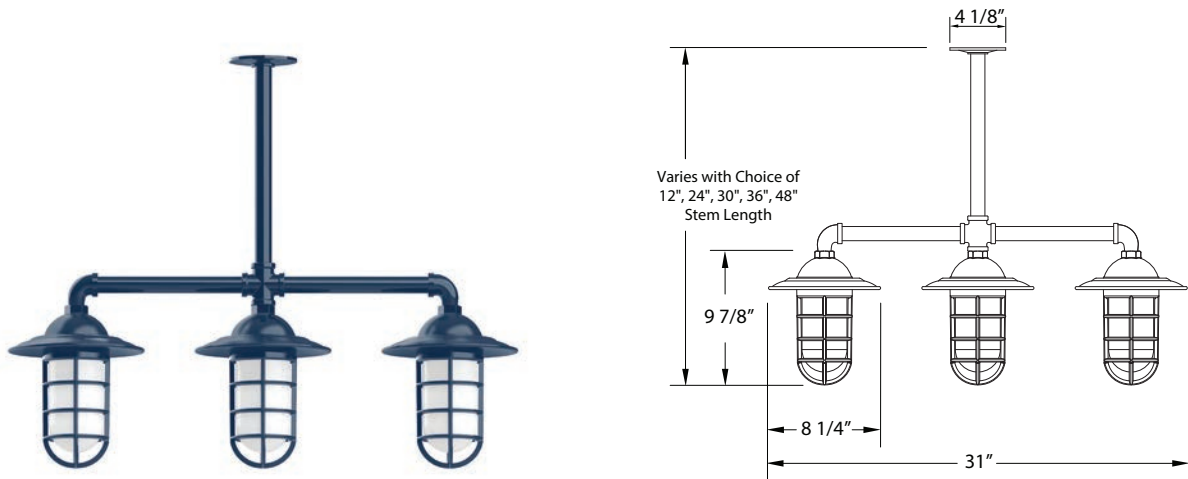
## MSK052

Dims: 8 1/4"W x 31"L x Choice of Height: (23 3/8", 35 3/8", 41 3/8", 47 3/8", 59 3/8")

Max Wattage: 100W Med. Base

Finish Shown: 50-Navy

Opt. Accessories (p.10-12): B03-Decorative Ceiling Canopy, B02-Sloped Ceiling Mount, G07-Frosted Weathertight Glass



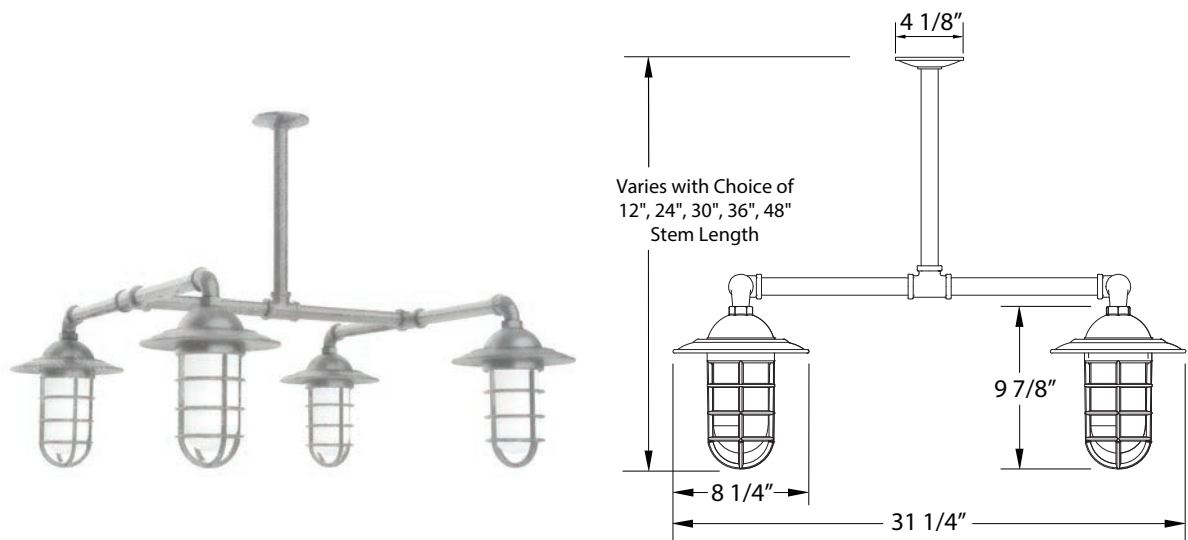
## MSP052

Dims: 12"W x 35"L x 35"D x Choice of Height: (23 3/8", 35 3/8", 41 3/8", 47 3/8", 59 3/8")

Max Wattage: 100W Med. Base

Finish Shown: 49-Painted Galvanized

Opt. Accessories (p.10-12): B03-Decorative Ceiling Canopy, B02-Sloped Ceiling Mount, G07-Frosted Weathertight Glass





## FEATURES + BENEFITS

- Metal RLM shades are spun from heavy duty aluminum.
- Arm is Aluminum, 3/4" IPS, unless noted. Cast Backplate fits over 4/0 junction box.
- Dimmable with a dimmable bulb and compatible dimmer (not included).
- Polyester powder coat finish provides color retention and scratch resistance.
- White powder coat shade interior or for maximum light output.
- Painted galvanized finish has painted galvanized shade interior.
- Cord hung Pendants are UL listed for Dry location. Arm, Stem and Wall Mount are UL Listed for Wet Location.
- Warranty: Limited 1 year.
- Available in our standard finishes.
- Ships within 7-13 business days.
- Stem lengths offered for stem hung pendants: 12" standard, 24", 30", 36", 48" optional
- Optional Accessories shown on pages 10-12.



Weathertight Glass and Guard

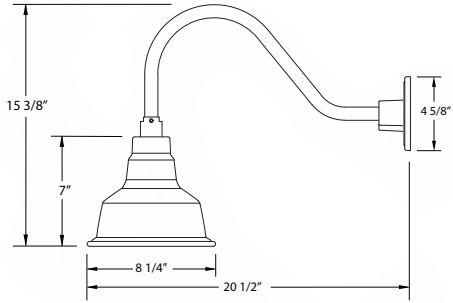


Wire Grill

**GNA180**

Dims: 8¼"W x 15¾"H x 20½"D, ½"IPS  
 Max Wattage: 100W Med. Base  
 Finish Shown: 51-Architectural Bronze

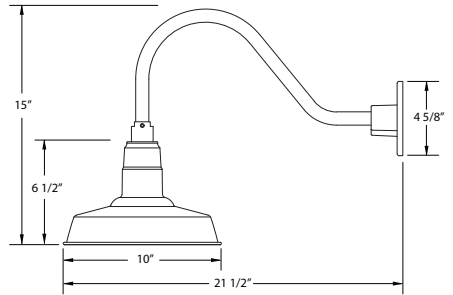
Opt. Accessories (p.10-12):  
 B01-Decorative Backplate Cover  
 G05-Weathertight Glass and Guard  
 L10-Integrated LED  
 S01-Swivel, W08-Wire Grill



**GNA181**

Dims: 10"W x 15"H x 21½"D, ½"IPS  
 Max Wattage: 100W Med. Base  
 Finish Shown: 55-Barn Red

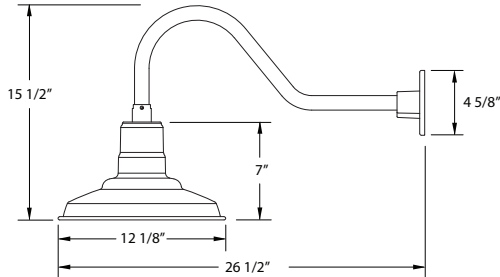
Opt. Accessories (p.10-12):  
 B01-Decorative Backplate Cover  
 G05-Weathertight Glass and Guard  
 L12-Integrated LED  
 S01-Swivel, W10-Wire Grill



**GNB182**

Dims: 12¾"W x 15½"H x 26½"D  
 Max Wattage: 100W Med. Base  
 Finish Shown: 41-Black

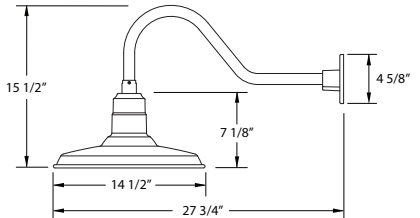
Opt. Accessories (p.10-12):  
 B03-Decorative Backplate Cover  
 G05-Weathertight Glass and Guard  
 L12-Integrated LED  
 S03-Swivel, W12-Wire Grill



**GNB183**

Dims: 14½"W x 15½"H x 27¾"D  
 Max Wattage: 100W Med. Base  
 Finish Shown: 49-Painted Galvanized

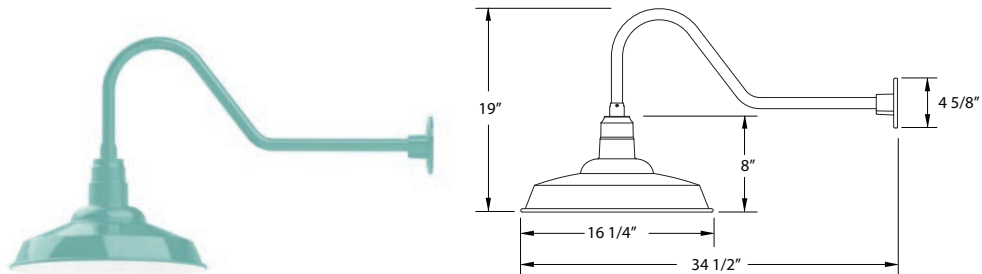
Opt. Accessories (p.10-12):  
 B03-Decorative Backplate Cover  
 G05-Weathertight Glass and Guard  
 L13-Integrated LED  
 S03-Swivel, W14-Wire Grill



## GNC184

Dims: 16 $\frac{1}{4}$ "W x 19"H x 34 $\frac{1}{2}$ "D  
Max Wattage: 100W Med. Base  
Finish Shown: 48-Sea Green

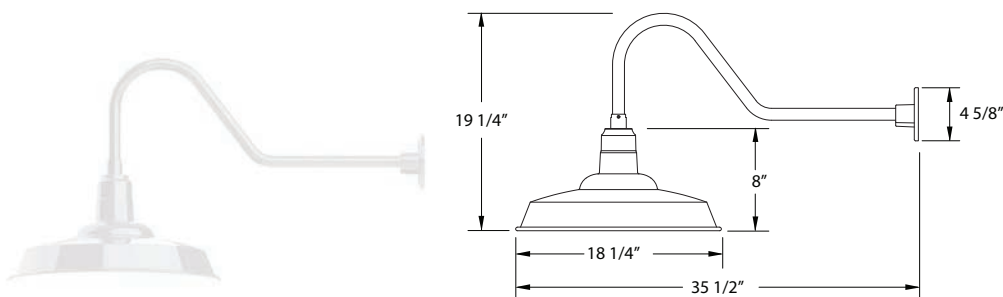
Opt. Accessories (p.10-12):  
B03-Decorative Backplate Cover  
G05-Weathertight Glass and Guard  
L13-Integrated LED  
S03-Swivel  
W16-Wire Gr II



## GNC185

Dims: 18 $\frac{1}{4}$ "W x 19 $\frac{1}{4}$ "H x 35 $\frac{1}{2}$ "D  
Max Wattage: 100W Med. Base  
Finish Shown: 44-White Gloss

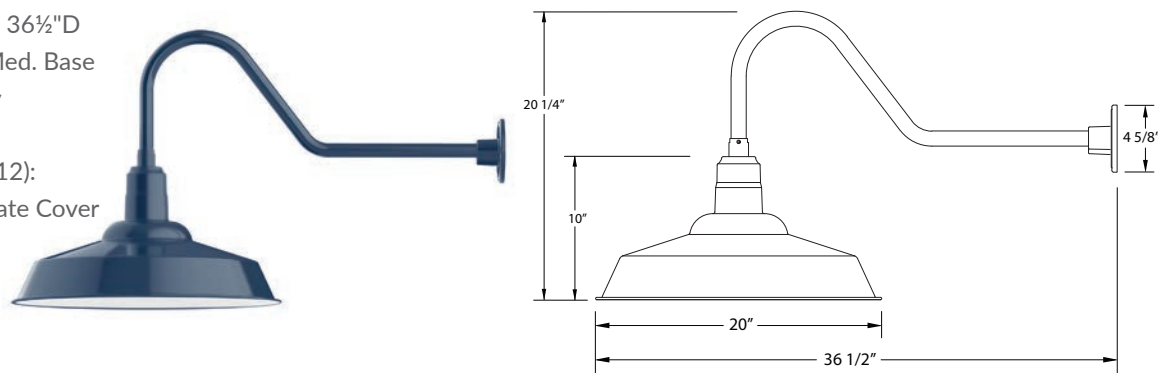
Opt. Accessories (p.10-12):  
B03-Decorative Backplate Cover  
G05-Weathertight Glass and Guard  
L13-Integrated LED  
S03-Swivel,  
W18-Wire Gr II



## GNC186

Dims: 20"W x 20 $\frac{1}{4}$ "H x 36 $\frac{1}{2}$ "D  
Max Wattage: 100W Med. Base  
Finish Shown: 50-Navy

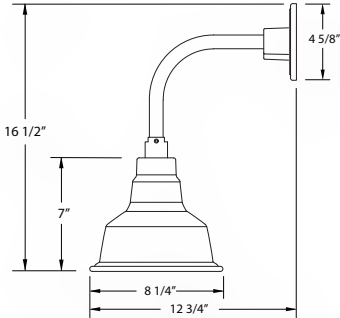
Opt. Accessories (p.10-12):  
B03-Decorative Backplate Cover  
G05-Weathertight  
Glass and Guard  
L14-Integrated LED  
S03-Swivel  
W20-Wire Gr II



GNT180

Dims: 8 1/4"W x 16 1/2"H x 12 3/4"D, 1/2"IPS  
 Max Wattage: 100W Med. Base  
 Finish Shown: 40-Slate Gray

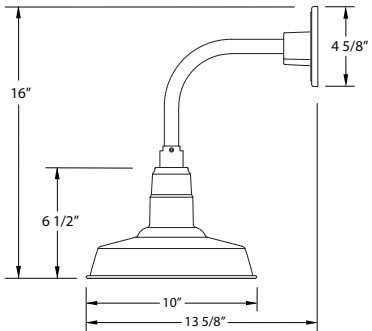
Opt. Accessories (p.10-12):  
 B01-Decorative Backplate Cover  
 G05-Weathertight Glass and Guard  
 L10-Integrated LED, W08-Wire Gr II



GNT181

Dims: 10"W x 16"H x 13 5/8"D, 1/2"IPS  
 Max Wattage: 100W Med. Base  
 Finish Shown: 41-Black

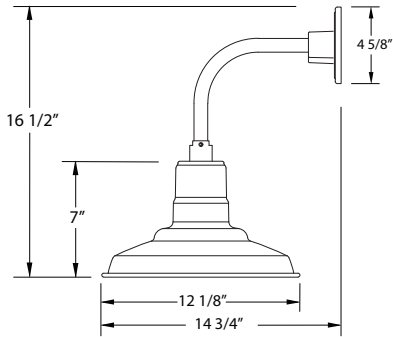
Opt. Accessories (p.10-12):  
 B01-Decorative Backplate Cover  
 G05-Weathertight Glass and Guard  
 L12-Integrated LED, W10-Wire Gr II



GNT182

Dims: 12 3/8"W x 16 1/2"H x 14 3/4"D, 1/2"IPS  
 Max Wattage: 100W Med. Base  
 Finish Shown: 54-Light Blue

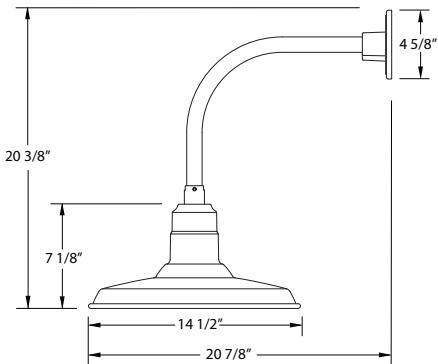
Opt. Accessories (p.10-12):  
 B01-Decorative Backplate Cover  
 G05-Weathertight Glass and Guard  
 L12-Integrated LED, W12-Wire Gr II



GNU183

Dims: 14 1/2"W x 20 3/8"H x 20 7/8"D  
 Max Wattage: 100W Med. Base  
 Finish Shown: 49-Painted Galvanized

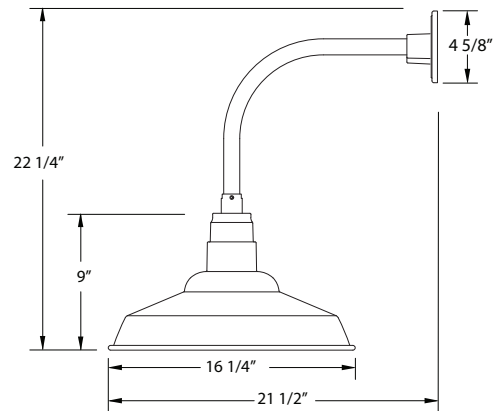
Opt. Accessories (p.10-12):  
 B03-Decorative Backplate Cover  
 G05-Weathertight Glass and Guard  
 L13-Integrated LED, W14-Wire Gr II



## GNU184

Dims: 16¼"W x 22¼"H x 21½"D  
 Max Wattage: 100W Med. Base  
 Finish Shown: 42-Forest Green

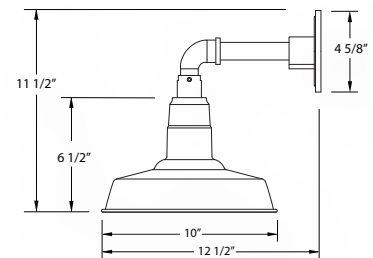
Opt. Accessories (p.10-12):  
 B03-Decorative Backplate Cover  
 G05-Weathertight Glass and Guard  
 L13-Integrated LED, W16-Wire Gr II



## GNM181

Dims: 10"W x 11½"H x 12½"D  
 Max Wattage: 100W Med. Base  
 Finish Shown: 51-Architectural Bronze

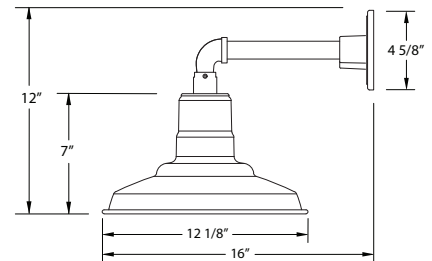
Opt. Accessories (p.10-12):  
 B03-Decorative Backplate Cover  
 G05-Weathertight Glass and Guard  
 L12-Integrated LED, W10-Wire Gr II



## GNN182

Dims: 12½"W x 12"H x 16"D  
 Max Wattage: 100W Med. Base  
 Finish Shown: 55-Barn Red

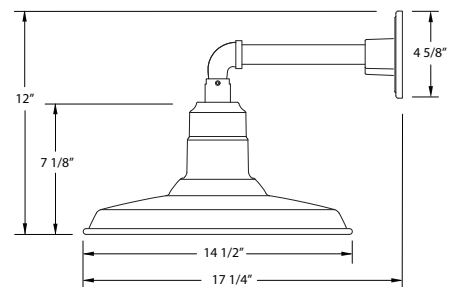
Opt. Accessories (p.10-12):  
 B03-Decorative Backplate Cover  
 G05-Weathertight Glass and Guard  
 L12-Integrated LED, W12-Wire Gr II



## GNN183

Dims: 14½"W x 12"H x 17¼"D  
 Max Wattage: 100W Med. Base  
 Finish Shown: 49-Painted Galvanized

Opt. Accessories (p.10-12):  
 B03-Decorative Backplate Cover  
 G05-Weathertight Glass and Guard  
 L13-Integrated LED, W14-Wire Gr II

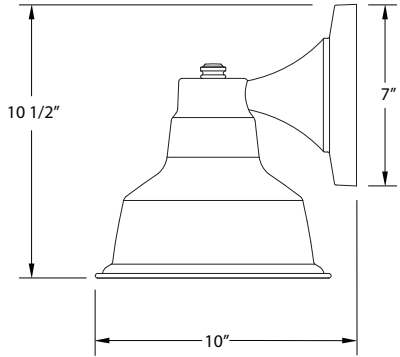




SCA180

Dims: 8¼"W x 10½"H x 10"D  
 Backplate: 7" Diameter  
 Max Wattage: 100W Med. Base  
 Finish Shown: 41-Black

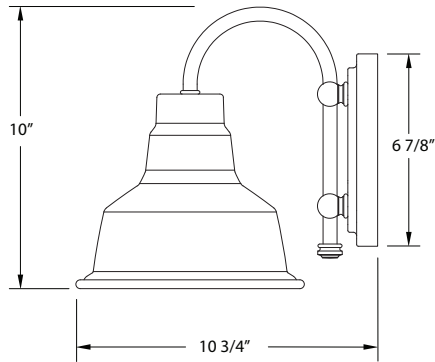
Opt. Accessories (p.10-12):  
 G05-Weathertight Glass and Guard  
 L10-Integrated LED  
 W08-Wire Gr II



SCB180

Dims: 8¼"W x 10"H x 10¼"D  
 Backplate: 6⅞" Diameter  
 Max Wattage: 100W Med. Base  
 Finish Shown: 42-Forest Green

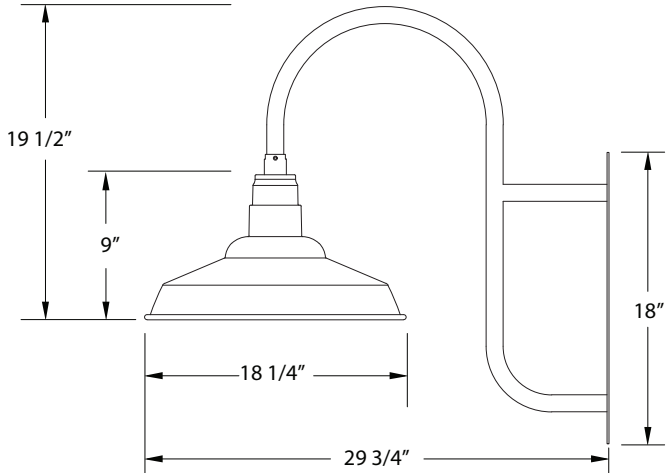
Opt. Accessories (p.10-12):  
 G05-Weathertight Glass and Guard  
 L10-Integrated LED  
 W08-Wire Gr II



WMF185

Dims: 18¼"W x 19½"H x 29¾"D  
 Backplate: 5"W x 18"H  
 Max Wattage: 100W Med. Base  
 Finish Shown: 51-Architectural Bronze

Opt. Accessories (p.10-12):  
 G05-Weathertight Glass and Guard  
 L13-Integrated LED  
 W18-Wire Gr II



## MSB180

Dims: 8 $\frac{1}{4}$ "W x 22 $\frac{1}{4}$ "L x Choice of Height:  
(21 $\frac{3}{4}$ ", 33 $\frac{3}{4}$ ", 39 $\frac{3}{4}$ ", 45 $\frac{3}{4}$ ", 57 $\frac{3}{4}$ ")

Max Wattage: 100W Med. Base

Finish Shown: 55-Barn Red

Opt. Accessories (p.10-12):

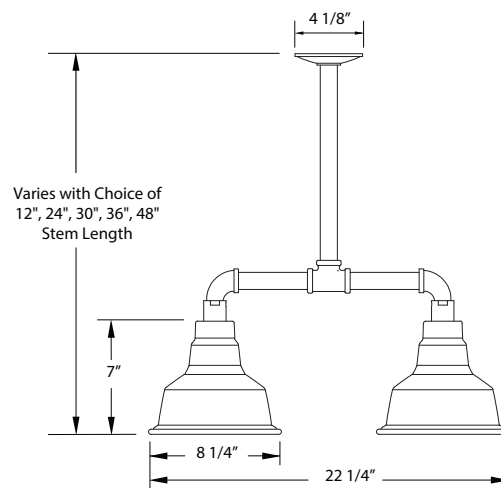
B03-Decorative Ceiling Canopy

B02-Sloped Ceiling Mount

G05-Weathertight Glass and Guard

L10-Integrated LED

W08-Wire Gr II



## MSD182

Dims: 12 $\frac{1}{8}$ "W x 35 $\frac{1}{8}$ "L x Choice of Height:  
(21 $\frac{3}{4}$ ", 33 $\frac{3}{4}$ ", 39 $\frac{3}{4}$ ", 45 $\frac{3}{4}$ ", 57 $\frac{3}{4}$ ")

Max Wattage: 100W Med. Base

Finish Shown: 40-Slate Gray

Opt. Accessories (p.10-12):

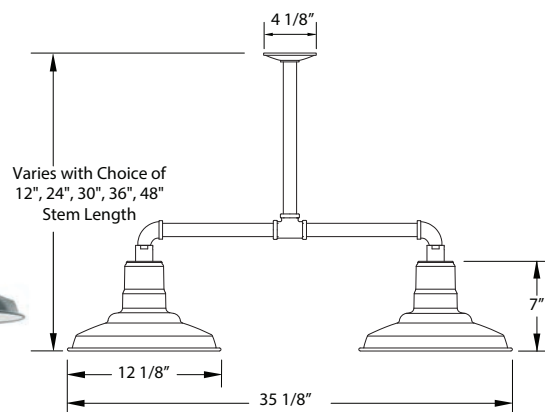
B03-Decorative Ceiling Canopy

B02-Sloped Ceiling Mount

G05-Weathertight Glass and Guard

L12-Integrated LED

W12-Wire Gr II



## MSD184

Dims: 16 $\frac{1}{4}$ "W x 38 $\frac{7}{8}$ "L x Choice of Height:  
(23 $\frac{3}{4}$ ", 35 $\frac{3}{4}$ ", 41 $\frac{3}{4}$ ", 47 $\frac{3}{4}$ ", 59  $\frac{3}{4}$ ")

Max Wattage: 100W Med. Base

Finish Shown: 50-Navy

Opt. Accessories (p.10-12):

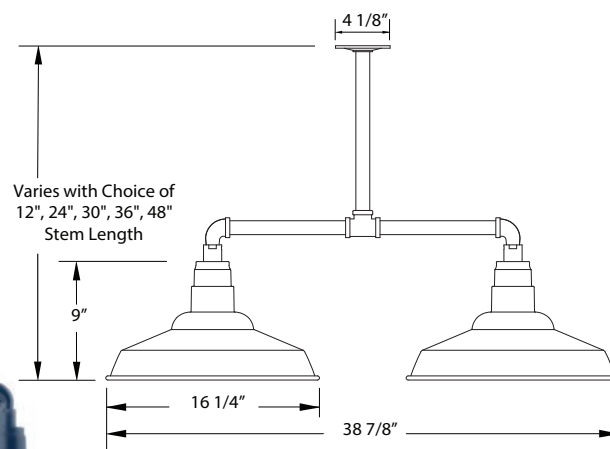
B03-Decorative Ceiling Canopy

B02-Sloped Ceiling Mount

G05-Weathertight Glass and Guard,

L13-Integrated LED

W16-Wire Gr II



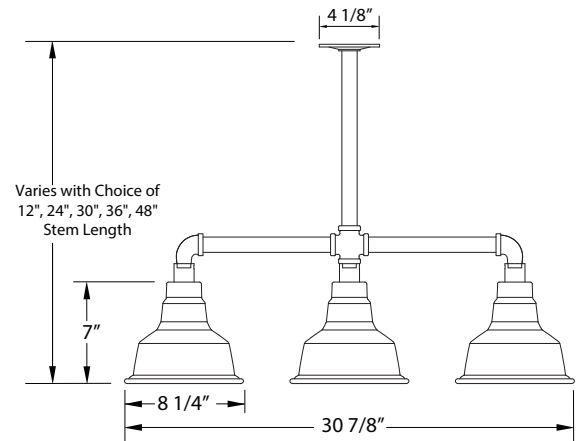
## MSK180

Dims: 8 1/4"W x 30 7/8"L x Choice of Height: (21 3/4", 33 3/4", 39 3/4", 45 3/4", 57 3/4")

Max Wattage: 100W Med. Base

Finish Shown: Painted Galvanized

Opt. Accessories (p.10-12): B03-Decorative Ceiling Canopy, B02-Sloped Ceiling Mount, G05-Weathertight Glass and Guard, L10-Integrated LED, W08-Wire Gr II



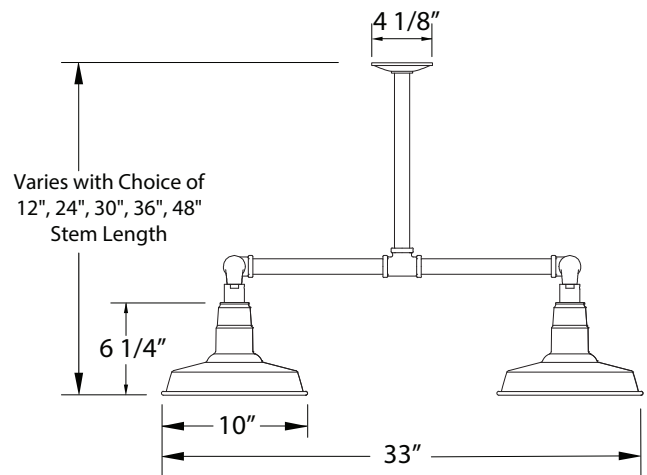
## MSP181

Dims: 10"W x 35"L x 35"D x Choice of Height: (21 3/4", 33 3/4", 39 3/4", 45 3/4", 57 3/4")

Max Wattage: 100W Med. Base

Finish Shown: 41-Black

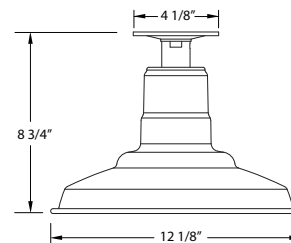
Opt. Accessories (p.10-12): B03-Decorative Ceiling Canopy, B02-Sloped Ceiling Mount, G05-Weathertight Glass and Guard, L12-Integrated LED, W10-Wire Gr II



## FMB182

Dims: 12 $\frac{1}{8}$ "W x 8 $\frac{3}{4}$ "H  
Max Wattage: 100W Med. Base  
Finish Shown: 42-Forest Green

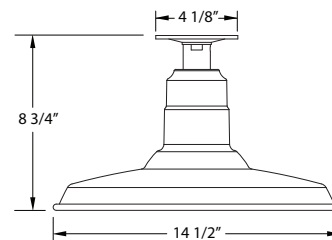
Opt. Accessories (p.10-12):  
G05-Weathertight Glass and Guard  
L12-Integrated LED  
W12-Wire Gr II



## FMB183

Dims: 14 $\frac{1}{2}$ "W x 8 $\frac{3}{4}$ "H  
Max Wattage: 100W Med. Base  
Finish Shown: 51-Architectural Bronze

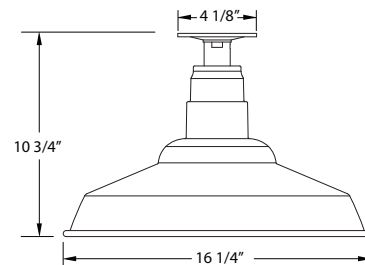
Opt. Accessories (p.10-12):  
G05-Weathertight Glass and Guard  
L13-Integrated LED  
W14-Wire Gr II



## FMB184

Dims: 16 $\frac{1}{4}$ "W x 10 $\frac{3}{4}$ "H  
Max Wattage: 100W Med. Base  
Finish Shown: 55-Barn Red

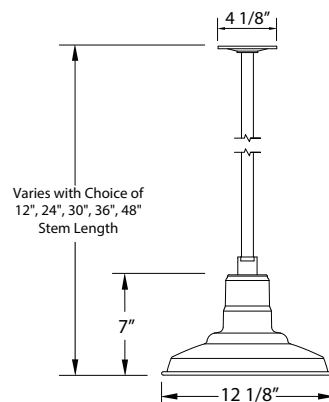
Opt. Accessories (p.10-12):  
G05-Weathertight Glass and Guard  
L13-Integrated LED  
W16-Wire Gr II



## STA182

Dims: 12 $\frac{1}{8}$ "W x  $\frac{1}{2}$ "IPS x Choice of Height:  
(19 $\frac{1}{4}$ ", 31 $\frac{1}{4}$ ", 37 $\frac{1}{4}$ ", 43 $\frac{1}{4}$ ", 55 $\frac{1}{4}$ ")  
Max Wattage: 100W Med. Base  
Finish Shown: 49-Painted Galvanized

Opt. Accessories (p.10-12):  
B01-Decorative Ceiling Canopy  
B02-Sloped Ceiling Mount  
G05-Weathertight Glass and Guard  
L12-Integrated LED  
W12-Wire Gr II



## STA183

Dims: 14½"W x ½"IPS x Choice of Height:  
(19¾", 31¾", 37¾", 43¾", 55¾")

Max Wattage: 100W Med. Base

Finish Shown: 48-Sea Green

Opt. Accessories (p.10-12):

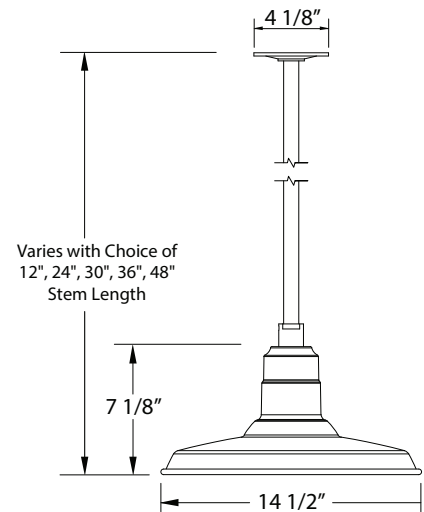
B03-Decorative Ceiling Canopy

B02-Sloped Ceiling Mount

G05-Weathertight Glass and Guard

L13-Integrated LED

W14-Wire Gr II



## STB184

Dims: 16¼"W x Choice of Height:  
(21¼", 33¼", 39¼", 44¼", 57¼")

Max Wattage: 100W Med. Base

Finish Shown: 50-Navy

Opt. Accessories (p.10-12):

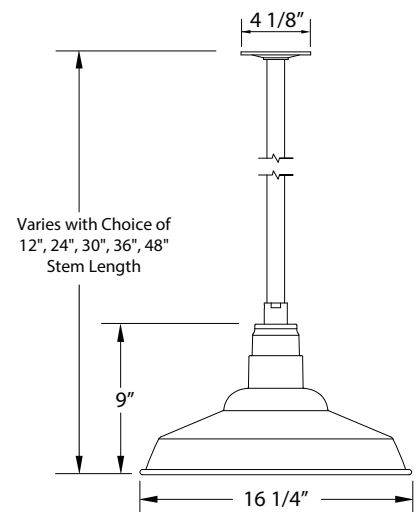
B03-Decorative Ceiling Canopy

B02-Sloped Ceiling Mount

G05-Weathertight Glass and Guard

L13-Integrated LED

W16-Wire Gr II



## STB185

Dims: 18¼"W x Choice of Height:  
(21¼", 33¼", 39¼", 44¼", 57¼")

Max Wattage: 100W Med. Base

Finish Shown: 54-Light Blue

Opt. Accessories (p.10-12):

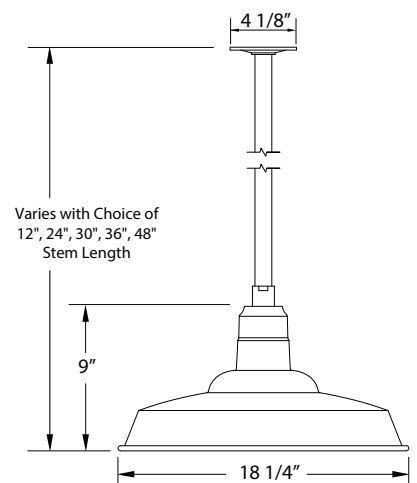
B03-Decorative Ceiling Canopy

B02-Sloped Ceiling Mount

G05-Weathertight Glass and Guard

L13-Integrated LED

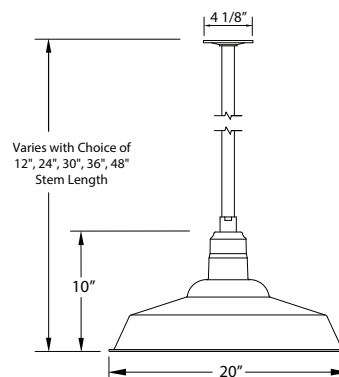
W18-Wire Gr II



## STB186

Dims: 20"W x Choice of Height:  
(22¼", 34¼", 40¼", 45¼", 58¼")  
Max Wattage: 100W Med. Base  
Finish Shown: 44-White Gloss

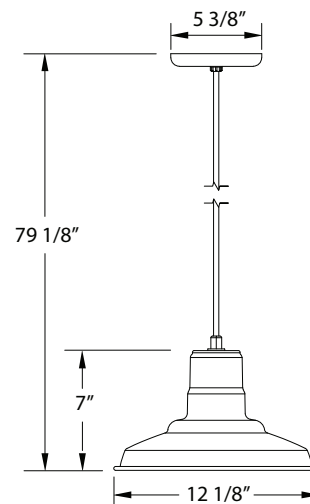
Opt. Accessories (p.10-12):  
B03-Decorative Ceiling Canopy  
B02-Sloped Ceiling Mount  
G05-Weathertight Glass and Guard  
L14-Integrated LED  
W20-Wire Gr II



## PEB182

Dims: 12½"W x 80½"H  
Cord: 6' Black SJT  
Max Wattage: 100W Med. Base  
Finish Shown: 48-Sea Green

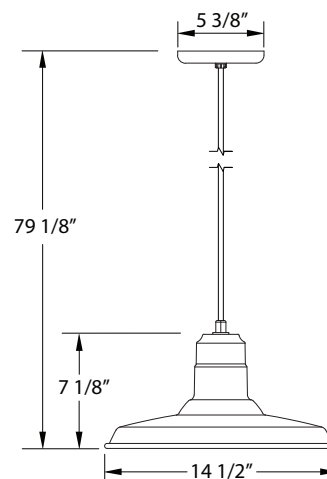
Opt. Accessories (p.10-12):  
White SJT or Fabric Cord  
G05-Weathertight Glass and Guard  
L12-Integrated LED  
W12-Wire Gr II



## PEB183

Dims: 14¼"W x 82"H  
Cord: 6' Black SJT  
Max Wattage: 100W Med. Base  
Finish Shown: 55-Barn Red

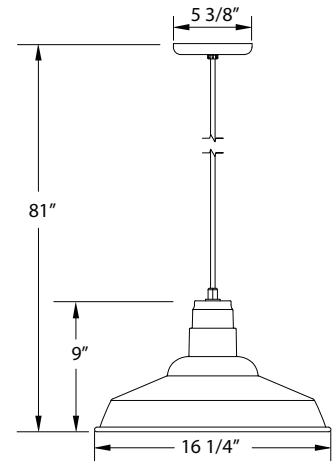
Opt. Accessories (p.10-12):  
White SJT or Fabric Cord  
G05-Weathertight Glass and Guard  
L13-Integrated LED  
W14-Wire Gr II



### PEB184

Dims: 16¼"W x 80½"H  
 Cord: 6' Black SJT  
 Max Wattage: 100W Med. Base  
 Finish Shown: 42-Forest Green

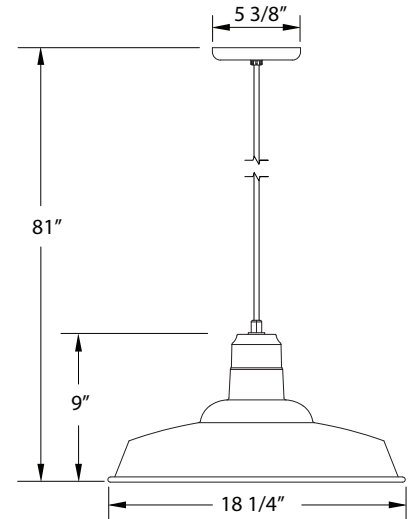
Opt. Accessories (p.10-12):  
 White SJT or Fabric Cord  
 G05-Weathertight Glass and Guard  
 L13-Integrated LED  
 W16-Wire Gr II



### PEB185

Dims: 18¼"W x 80½"H  
 Cord: 6' Black SJT  
 Max Wattage: 100W Med. Base  
 Finish Shown: 41-Black

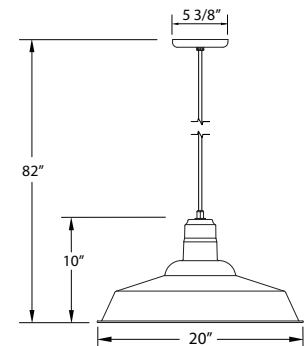
Opt. Accessories (p.10-12):  
 White SJT or Fabric Cord  
 G05-Weathertight Glass and Guard  
 L13-Integrated LED  
 W18-Wire Gr II



### PEB186

Dims: 20"W x 82"H  
 Cord: 6' Black SJT  
 Max Wattage: 100W Med. Base  
 Finish Shown: 55-Barn Red

Opt. Accessories (p.10-12):  
 White SJT or Fabric Cord  
 G05-Weathertight Glass and Guard  
 L14-Integrated LED  
 W20-Wire Gr II

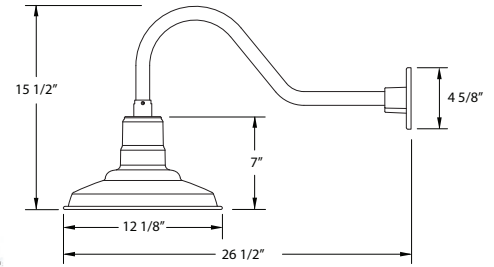


# QUICK SHIP

Quick Ship items are available in 41-Black and 51-Architectural Bronze, and ship in 7 business days.

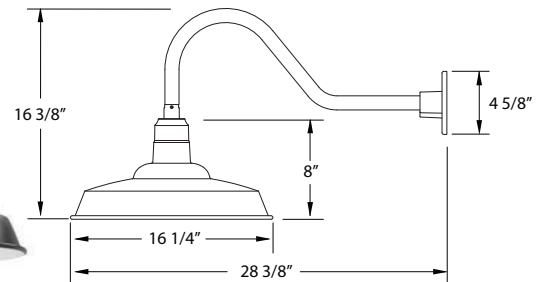
## GNB182

Dimensions: 12 $\frac{1}{8}$ "W x 15 $\frac{1}{2}$ "H x 26 $\frac{1}{2}$ "D  
Max Wattage: 100W Med. Base  
Finish Shown: 41-Black  
Other Avail. Finish: 51-Arch. Bronze



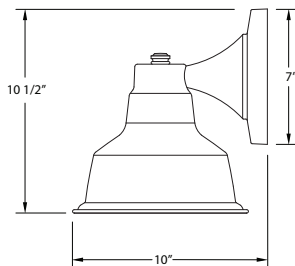
## GNB184

Dimensions: 16 $\frac{1}{4}$ "W x 16 $\frac{3}{8}$ "H x 28 $\frac{3}{8}$ "D  
Max Wattage: 100W Med. Base  
Finish Shown: 41-Black  
Other Avail. Finish: 51-Arch. Bronze



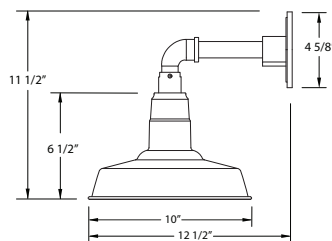
## SCA180

Dimensions: 8"W x 10 $\frac{1}{2}$ "H x 10"D  
Max Wattage: 100W Med. Base  
Finish Shown: 41-Black  
Other Avail. Finish: 51-Arch. Bronze



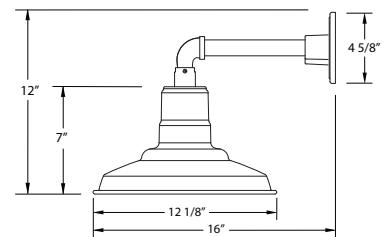
## GNM181

Dimensions: 10"W x 11 $\frac{1}{2}$ "H x 12 $\frac{1}{2}$ "D  
Max Wattage: 100W Med. Base  
Finish Shown: 41-Black  
Other Avail. Finish: 51-Arch. Bronze



## GNN182

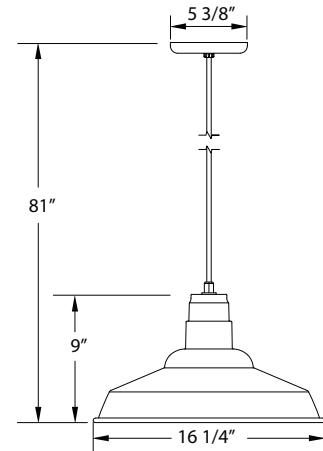
Dimensions: 12 $\frac{1}{8}$ "W x 12"H x 16"D  
Max Wattage: 100W Med. Base  
Finish Shown: 41-Black  
Other Avail. Finish: 51-Arch. Bronze





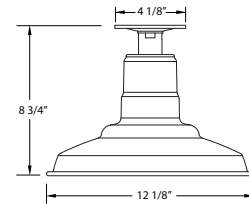
### PEB184

Dimensions: 16 1/4"W x 81"H  
 Cord: 6' Black SJT  
 Max Wattage: 100W Med. Base  
 Finish Shown: 41-Black  
 Other Avail. Finish: 51-Arch. Bronze



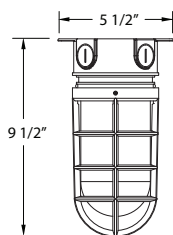
### FMB182

Dimensions: 12 1/8"W x 8 3/4"H  
 Max Wattage: 100W Med. Base  
 Finish Shown: 41-Black  
 Other Avail. Finish: 51-Arch. Bronze



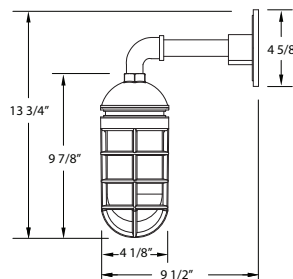
### FMC050

Dimensions: 5 1/2"W x 9 1/2"H  
 Max Wattage: 100W Med. Base  
 Finish Shown: 41-Black  
 Other Avail. Finish: 51-Arch. Bronze



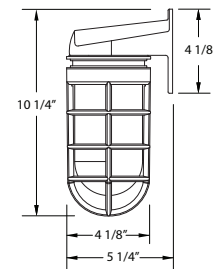
### GNM050

Dimensions: 4 3/8"W x 13 3/4"H x 9 1/2"D  
 Max Wattage: 100W Med. Base  
 Finish Shown: 41-Black  
 Other Avail. Finish: 51-Arch. Bronze



### SCW050

Dimensions: 4 1/8"W x 10"H x 5 1/4"D  
 Max Wattage: 100W Med. Base  
 Finish Shown: 41-Black  
 Other Avail. Finish: 51-Arch. Bronze



# INDEX

Item	Page	Item	Page	Item	Page
B01	10	GNA115	91	GNU117	92
B02	10	GNA120	95	GNU149	77
B03	10	GNA157	109	GNU159	108
C01	11	GNA180	117	GNU183	119
C02	11	GNA181	117	GNU184	120
C04	11	GNB103	73	H12	10
C12	11	GNB106	83	H24	10
C16	11	GNB107	83	H30	10
C20	11	GNB116	91	H36	10
C22	11	GNB121	95	H48	10
C23	11	GNB123	101	L01	12
C24	11	GNB142	99	L02	12
C25	11	GNB148	77	L03	12
C26	11	GNB158	109	L04	12
C27	11	GNB182	117	L10	12
C28	11	GNB183	117	L11	12
CPA310	15	GNC104	73	L12	12
CPA311	15	GNC108	83	L13	12
CPA312	15	GNC117	91	MSA050	114
CPA313	15	GNC122	95	MSA052	114
CPA320	18	GNC124	101	MSB105	79
CPA321	18	GNC125	101	MSB114	88
CPA322	18	GNC143	99	MSB157	106
CPA323	18	GNC149	77	MSB180	122
DPD310	16	GNC159	109	MSD021	47
DPD311	16	GNC184	118	MSD106	79
DPD320	19	GNC185	118	MSD108	79
DPD321	19	GNC186	118	MSD116	88
DPE312	16	GNM050	111	MSD117	88
DPE313	16	GNM052	111	MSD123	102
DPE322	19	GNM115	93	MSD158	106
DPE323	19	GNM181	120	MSD159	106
E03	10	GNN106	85	MSD182	122
E04	10	GNN107	85	MSD184	122
FMA021	47	GNN116	93	MSK052	115
FMB116	87	GNN142	99	MSK105	80
FMB117	87	GNN148	76	MSK114	89
FMB182	124	GNN158	107	MSK157	107
FMB183	124	GNN182	120	MSK180	123
FMB184	124	GNN183	120	MSP052	115
FMC050	113	GNP050	112	MSP106	80
FMC052	113	GNP052	112	MSP115	89
FMC060	113	GNQ050	112	MSP181	123
FMD417	41	GNT105	84	PEB010	66
FMD419	41	GNT106	84	PEB012	66
FMD421	21	GNT114	92	PEB106	82
FMD425	24	GNT115	92	PEB107	82
FMD431	27	GNT116	92	PEB108	82
FMD432	27	GNT142	99	PEB116	87
FMDX445	42	GNT148	77	PEB117	87
G05	10	GNT157	108	PEB123	103
G06	10	GNT158	108	PEB124	103
G07	10	GNT180	119	PEB125	103
G15	10	GNT181	119	PEB142	97
GNA102	73	GNT182	119	PEB143	97
GNA105	83	GNU107	84	PEB148	75
GNA114	91	GNU108	84	PEB149	75

Item	Page	Item	Page	Item	Page
PEB158	105	SCB052	111	STB125	102
PEB159	105	SCB105	85	STB143	98
PEB182	126	SCB114	93	STB149	76
PEB183	126	SCB140	98	STB159	105
PEB184	127	SCB157	107	STB184	125
PEB185	127	SCB180	121	STB185	125
PEB186	127	SCF081	67	STB186	126
PEB203	70	SCG081	67	STC021	47
PEB204	70	SCH081	67	STG421	23
PEB213	71	SCIX448	43	STG422	23
PEB214	71	SCIX449	43	STG423	23
PEB229	69	SCJ415	37	STG425	25
PEB230	69	SCJ416	37	STG426	25
PEB400	63	SCJ417	37	STG429	26
PEB401	61	SCJ418	37	STG431	29
PEB403	61	SCJ419	38	STG432	29
PEB404	62	SCJ420	38	STG433	29
PEB405	62	SCJ421	21	STG436	32
PEB410	63	SCJ431	27	STG438	31
PEB411	64	SCJX445	43	STG439	31
PEB413	64	SCK415	38	STGX445	45
PEB416	40	SCK416	38	STGX446	45
PEB417	41	SCK417	39	STGX447	45
PEB418	40	SCK418	39	STGX450	49
PEB419	41	SCK419	39	STGX451	51
PEB420	40	SCK420	39	STGX456	53
PEB421	22	SCK421	21	STGX466	51
PEB422	22	SCK431	27	STGX467	51
PEB423	22	SCKX445	43	STGX471	53
PEB425	24	SCL400	58	STGX472	53
PEB426	24	SCL401	57	STGX476	55
PEB429	26	SCL403	57	STGX477	55
PEB431	28	SCL404	57	STGX478	55
PEB432	28	SCL405	57	T12	10
PEB433	28	SCL410	58	T24	10
PEB436	32	SCL411	58	T30	10
PEB438	30	SCL413	58	T36	10
PEB439	30	SCM400	60	T48	10
PEBX445	44	SCM401	59	TLC415	34
PEBX446	44	SCM403	59	TLC417	34
PEBX447	44	SCM404	59	TLCX445	34
PEBX450	49	SCM405	59	TLD425	35
PEBX451	50	SCM410	60	TLD436	35
PEBX456	52	SCM411	60	W08	10
PEBX466	50	SCM413	60	W10	10
PEBX467	50	SCW050	111	W12	10
PEBX471	52	STA106	81	W14	10
PEBX472	52	STA107	81	W16	10
PEBX476	54	STA116	90	W18	10
PEBX477	54	STA124	102	W20	10
PEBX478	54	STA142	98	WMF109	85
PEF021	47	STA148	76	WMF117	90
PEG215	71	STA158	105	WMF185	121
PEG231	69	STA182	124		
S01	10	STA183	125		
S02	10	STB108	81		
SCA180	121	STB117	90		



**MONTCLAIR**  
LIGHT WORKS



MADE IN THE USA

9044 Del Mar Avenue  
Montclair, CA 91763

Toll Free 833-733-1807  
sales@montclairlightworks.com  
www.montclairlightworks.com