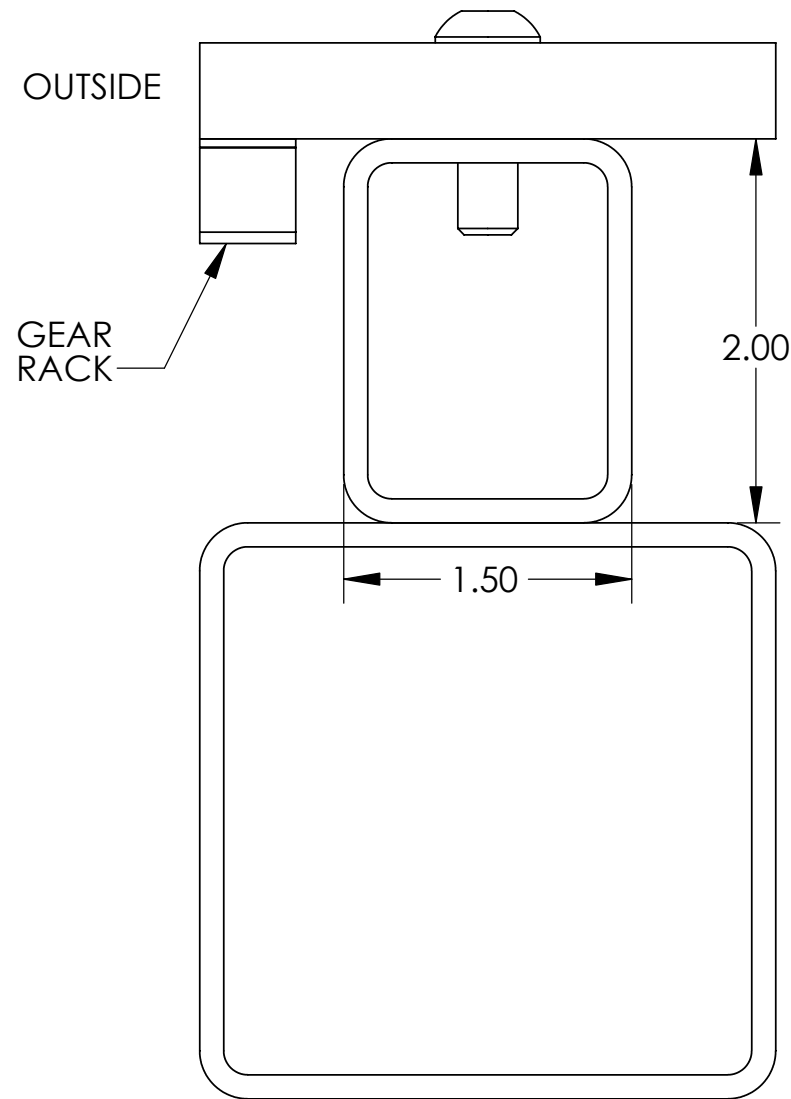
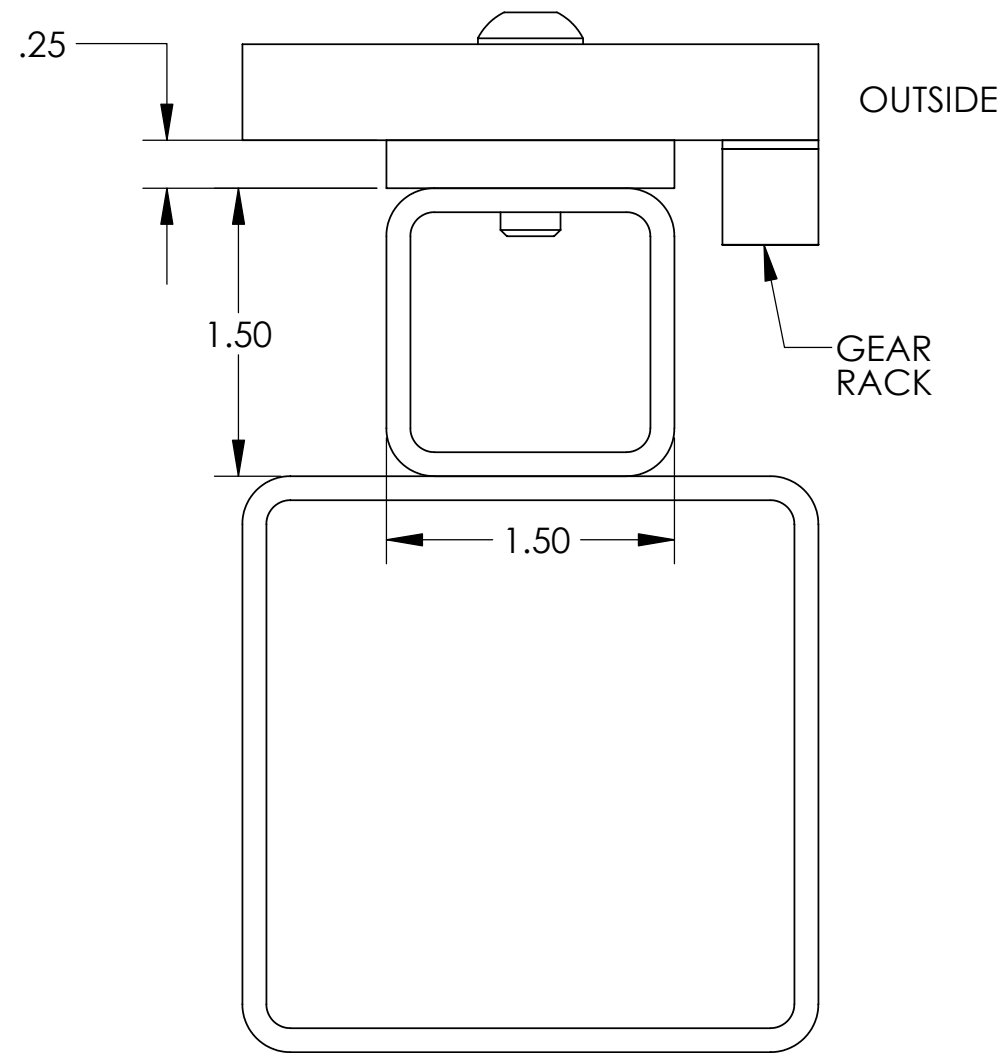


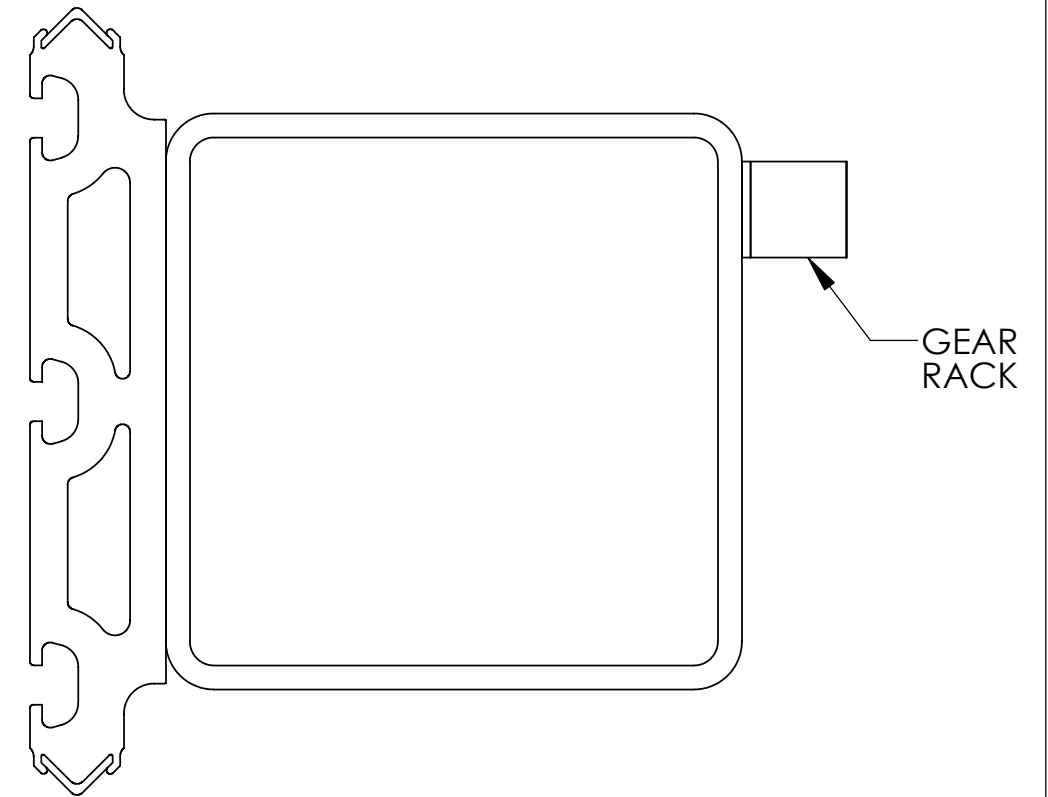
### STANDARD SIDE CONFIGURATION



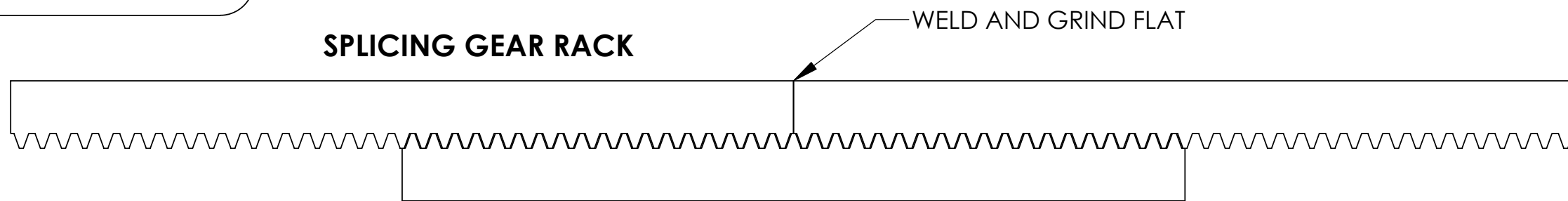
### OPTIONAL SIDE CONFIGURATION



### GANTRY CONFIGURATION



### SPLICING GEAR RACK



### NOTES:

1/4" X 1-1/2" CRS CAN BE USED AS A TAPPING PLATE OR AS A SPACER IN THE OPTIONAL CONFIGURATION.

SPLICE 6' GEAR RACK. (REQUIRED FOR 8' AND 10' TRAVEL TABLES)

CUT SIDE GEAR RACK TO LENGTH OF CRS RAIL.

CUT GANTRY GEAR RACK TO LENGTH OF V-RAIL.

CLEAN SURFACES WITH ALCOHOL AND LET DRY BEFORE APPLYING 3M TAPE.

TOLERANCES +/- UNLESS OTHERWISE SPECIFIED		MACHINING	WELDING	FABRICATING	FINISH REQUIREMENTS	USED ON REFERENCE MACHINE/DRAWING:
	DECIMAL	.03, .005	.13	.06		
	ANGLE					
THE INFORMATION CONTAINED IN THIS DRAWING IS THE SOLE PROPERTY OF PRECISION PLASMA LLC. ANY REPRODUCTION IN PART OR WHOLE WITHOUT WRITTEN PERMISSION IS PROHIBITED.						
	SCALE:	1:1	SIZE: <b>B</b>	DATE	NAME	MATERIAL:
	UNITS:	INCHES	DRAWN	7/16/17	RWC	
	SOLIDS (Y/N):	Y	CHECKED			
PRECISION PLASMA LLC.	TITLE: GEAR RACK				DRAWING NUMBER:	REV.
					<b>RACK PLACEMENT</b>	
					SHEET 1	OF 1