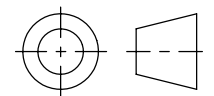


- MATERIAL:**
 (2) 1.5 X 2" 1/8" WALL 72" LONG
 (2) 3X3X1/8" OR 14GA WALL 72" LONG
 (4) 3X3X1/8" OR 14GA WALL 30" LONG
 (8) 3X3X1/8" OR 14GA WALL 62" LONG
 (2) 3X3X1/8" OR 14GA WALL 48" LONG
 (1) 4" CHANNEL 48" LONG

TOLERANCES +/- UNLESS OTHERWISE SPECIFIED	MACHINING	WELDING	FABRICATING	FINISH REQUIREMENTS	USED ON REFERENCE MACHINE/DRAWING:	
	DECIMAL	.03, .005	.13	.06		PAINT
	ANGLE					
THE INFORMATION CONTAINED IN THIS DRAWING IS THE SOLE PROPERTY OF PRECISION PLASMA LLC. ANY REPRODUCTION IN PART OR WHOLE WITHOUT WRITTEN PERMISSION IS PROHIBITED.						
	SCALE: 1:16	SIZE: B	DATE	NAME	MATERIAL:	
	UNITS: INCHES	DRAWN	7-9-17	RWC		
	SOLIDS (Y/N): Y	CHECKED				
PRECISION PLASMA LLC.	TITLE: MAGNUM 7 LOWER FRAME 3 INCH TUBING			DRAWING NUMBER:	REV.	
				MAG7 LFRAME	SHEET 1 OF 1	