

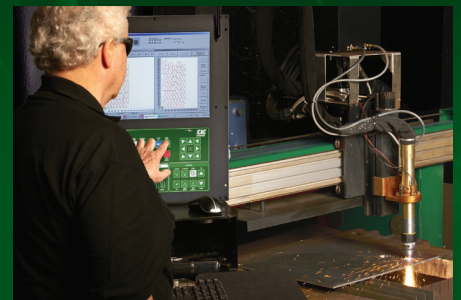
THERMAL DYNAMICS®

Thermal Dynamics® introduces
iCNC® PERFORMANCE^e



The new iCNC Performance^e control offers some exciting new features making it even more possible to build low-cost, full-featured plasma systems with professional high-end quality and performance:

- Up to 2 plasma systems or 4 oxyfuel torches
- More storage
- Faster processor



We Bring Intelligence to the Table.™

Thermal Dynamics introduces

iCNC PERFORMANCE^e

Integrated plasma systems have revolutionized the high-end, high-capacity, automated plasma cutting industry. Thermal Dynamics' iCNC Performance^e makes it possible to build low-cost machines with high-end, professional performance that have been unavailable until now.

New with iCNC Performance^e

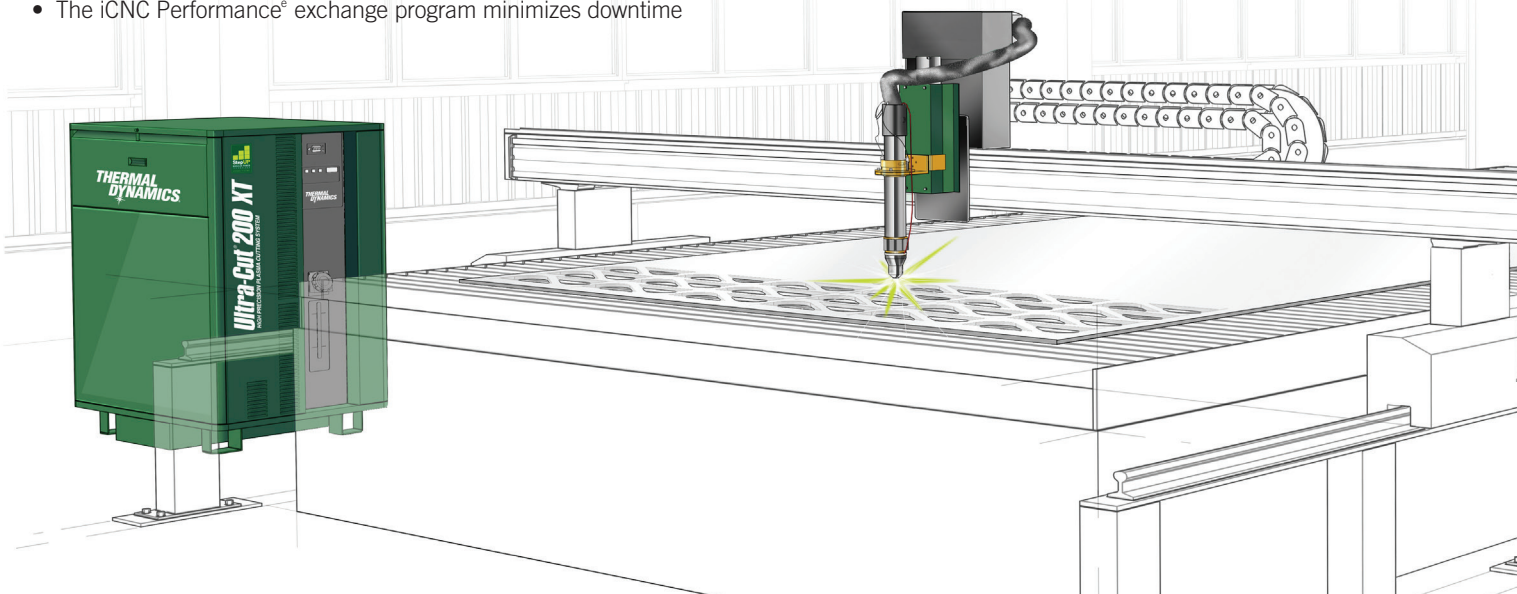
- Up to 2 plasma or 4 oxyfuel torches
- More CPU cores, Gigabytes and USB ports
- Easier to install

Easy to use

- Same proven operator interface; no need to learn new software
- Easy to download new nesting programs and apply to your cutting program
- Includes hole optimization (DiameterPro); just choose material, thickness and expected cut performance
- All cutting parameters will be transferred to plasma systems and height controls
- Changes to existing cutting processes can be saved and reused
- Changes to the nesting can be done right at the iCNC control

Serviceability

- With built-in WiFi there is always a trained technician available online, no matter how remote the location
- Upgrades and troubleshooting are easy
- The iCNC Performance^e exchange program minimizes downtime



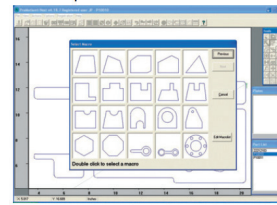
True state-of-the-art control for plasma cutting systems.

Optional Built-In Torch Height Control

- With built-in height control it's even easier and faster to get the best cut performances
- All required height control settings come directly from the iCNC control
- Select a lifter with 4", 8" or 14" (10 mm, 20 mm, or 35.5 mm) stroke with collision protection
- Built-in laser pointer for easy torch positioning
- Voltage sampling to compensate for electrode wear
- 2 ways to sense the plate: ohmic contact and torch holder sensors (also used for Collision Sense)
- Parameters from process database set automatically: ignition height, pierce height, stay-up-time, pierce time, cut height, arc voltage, etc.
- Fully enclosed ball bearing slide for the harshest environments

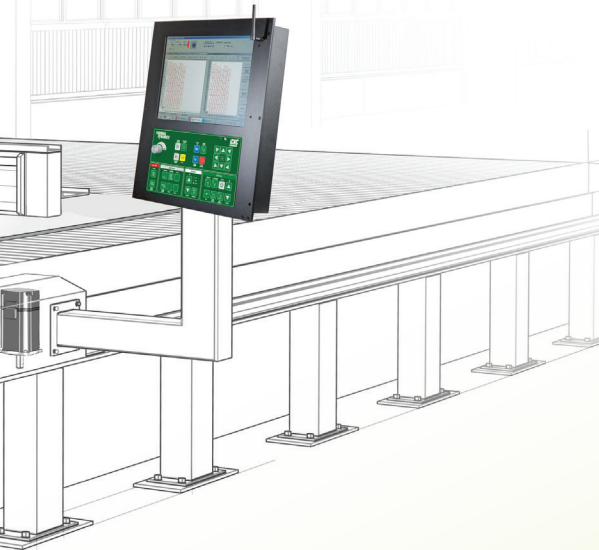


- Set by pointing your mouse to piercing points, cutting directions, cutting order, bridging, chain cutting, copying, mirroring, moving, etc.
- Add machining allowances to any location of any shape
- Preprogrammed macros
- Marking from CAD-drawings using different layers
- No need to program a shape already designed by a CAD system
- Faster and easier creation of cutting programs
- Fully visual Manual nesting on plate no need to be familiar with ESSI/EIA
- MicroCAD for editing shapes
- Cost calculator
- Improved usage of material



Optional PROMOTION Nesting Built-In or as Office Software

- Runs in any Windows* Operating System environment and creates cutting programs in EIA/ESSI-code
- Reads both CAD-drawings and EIA/ESSI-coded cutting programs



Ideal with Thermal Dynamics Plasma Systems

- Works seamlessly together
- Process databases built into the system
- All premade cables available for use when built-in iHC, Thermal Dynamics lifter, plasmas and smart motors are used, no need for any additional relays
- Extremely low cost operation
- Maximum performance
- Virtually eliminate operator errors
- Ideal cut quality

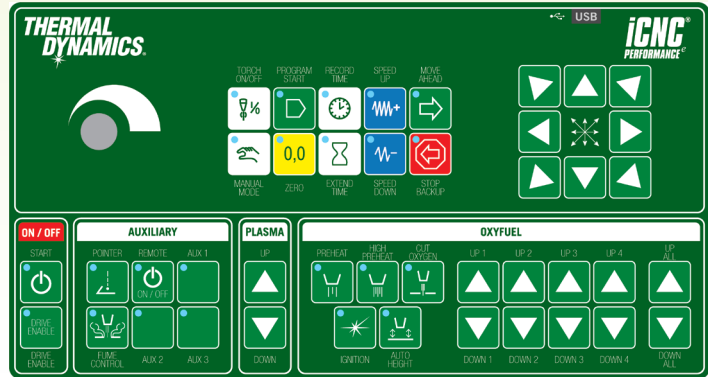


Thermal Dynamics introduces iCNC PERFORMANCE^e

High Performance, Low Cost CNC

A CNC dedicated to plasma and oxy-fuel cutting

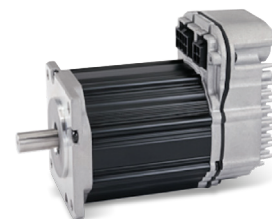
- Thin panel mount unit 16.1 x H 19.4 x D 2.9 in. (409 x 492 x 73 mm)
- 15 in. Touch Screen
- Operator panel for plasma, oxy-fuel and auxiliary functions
- Built-in WiFi
- 3-axis drive outputs (both analog and step/direction)
- Single CPU, 4 core, 1.91 GHz
- 4Gb DDR3 RAM
- 5 x USB, I/O 16+40, 3 encoder inputs



- Power input 24 VDC
- Optional integrated plasma height control
- Optional servo motors with built-in amplifiers

Customizable

- Control panel only, ideal for OEM applications
- Amplifier enclosure: easy for retrofits and OEM applications where no existing enclosure exists
- Amplifier options: 400W and 750W for single drive or dual drive cutting machines
- Servo motors with built-in amplifiers or install amplifiers of your own choice



**THERMAL
DYNAMICS**

U.S. Customer Care: +1 866-279-2628 • Canada Customer Care: 905-827-4515 • International Customer Care: 940-381-1212