



# *PuduBot 2*

## Universal Delivery Robot

— Relay of classic —





# Product Overview

# ***PuduBot***





# Product Overview

## ***PuduBot 2***

PuduBot 2, the newly upgraded delivery robot from Pudu Robotics, inherits excellent features and functions from PuduBot.

PuduBot 2 is committed to realizing intelligent deliveries in all scenarios, promoting the application of service robots and accelerating the overall robot development with higher performance, better functional extendability, environmental adaptability and reliability in use.





# Product Overview

7-inch Interactive Screen

Aluminum Machine Body

Adjustable Trays

Upper Lidar

Wide FOV RGBD

Lower Lidar

Visual Camera

USB Interface

Industry-leading Chassis System

20Ah LFP Battery

Automatic Charging





# Product Overview

Dimension	580mm*535mm*1290mm
Machine Weight	37kg
Tray Size	500mm*432mm
Single Tray Load	Maximum 13kg
Maximum Loads	40kg
Battery Life	10~24h
Charging Time	3h
Path Clearance	80cm
Cruise Speed	0.5m/s~1.2m/s
Obstacle Negotiation Height	10mm
Climbing Angle	≤5°
Positioning Method	VSLAM & Laser SLAM
Dispatching	Maximum 20
Charging	Wire or Automatic



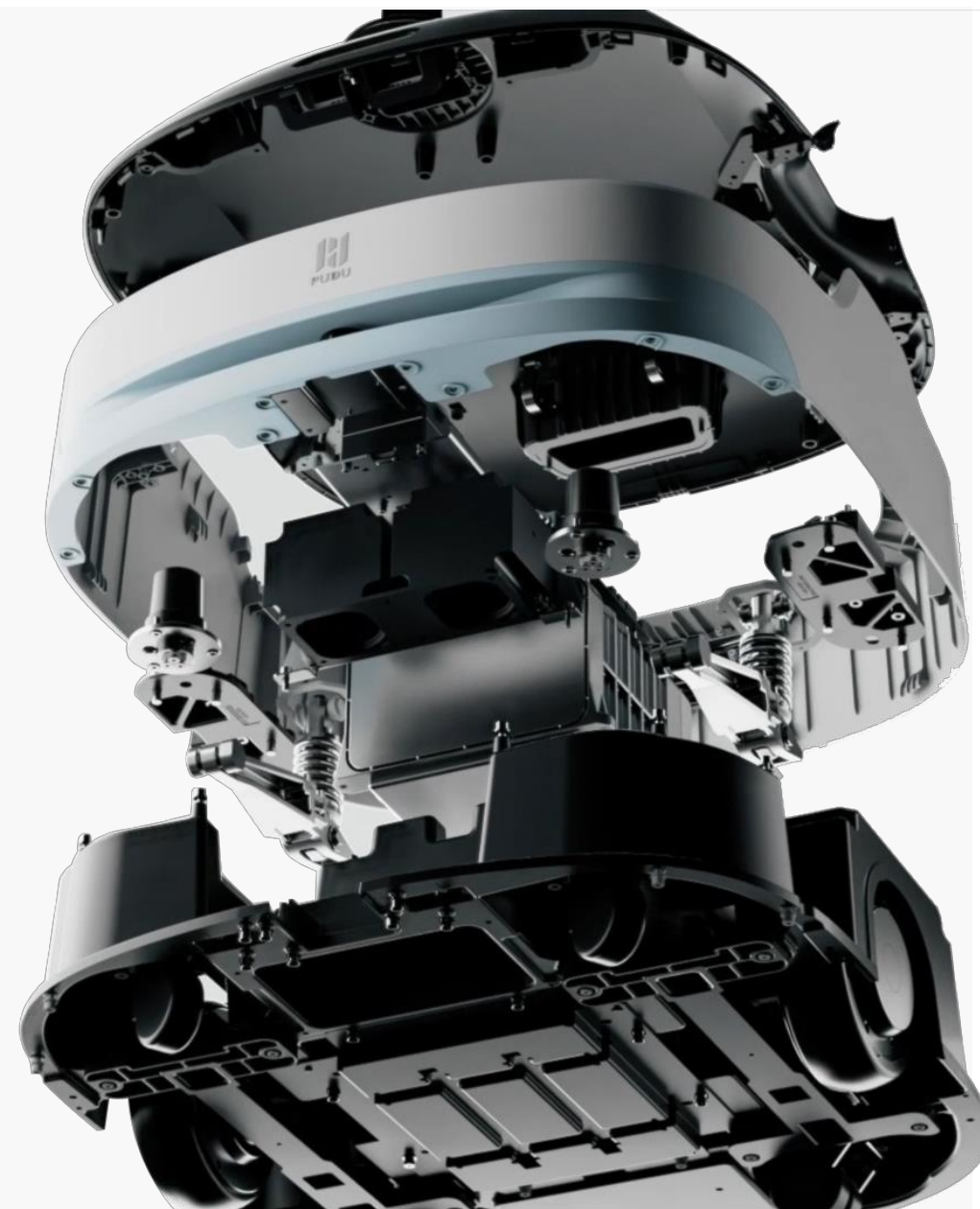


# Key Features

## Industry-leading Chassis System Better Stability, Better Performance

- Highly integrated chassis with newly upgraded vertical linkage suspension system
- Significantly improved obstacle-crossing capability
- Adapt to different road surfaces, 30% improvement in moving stability
- Smooth mobility even with bumpy roads

\*Source: PUDU Lab



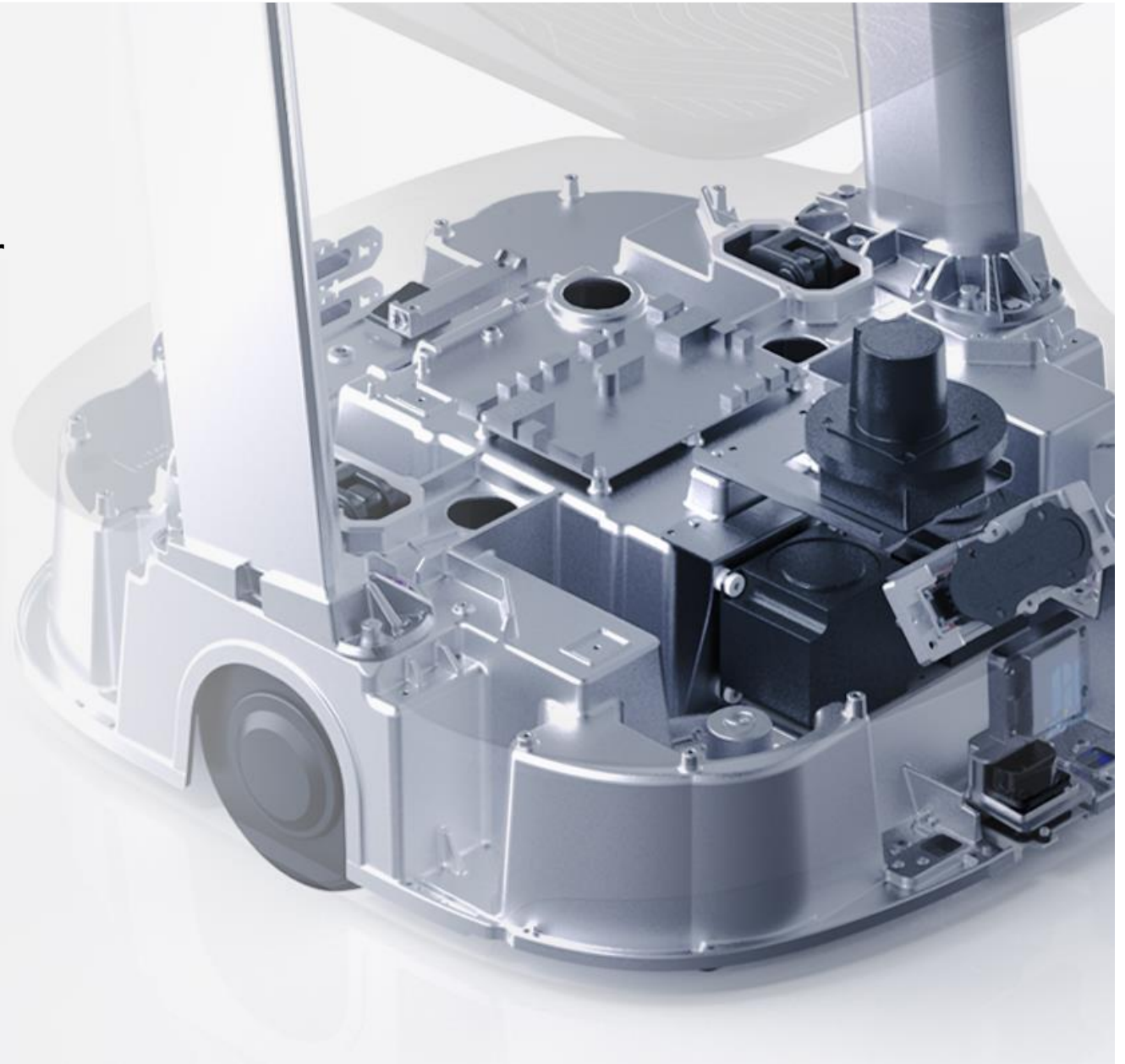


# Key Features

## PUDU-developed Servo In-wheel Motor Cost Reducing, Efficiency Boosting

- 33% increasement in load capacity
- 16% improvement in energy utilization
- Excel in both performance and energy saving

\*Source: PUDU Lab





# Key Features

## Dual Lidar, Precise Perception More Reliable, More Secure

- Dual-Lidar system provides PuduBot 2 the ability of 360 degree sensing, with environmental features in full view
- The upper lidar is responsible for distance detection, with an effective obstacle avoidance capability within 0.8m (at a load of 40kg and 1.2m/s travel speed)
- The lower lidar is responsible for ground detection with the shortest detectable height of **8cm**







# Key Features

## PUDU SLAM

### Simplified Deployment , Greater Adaptability

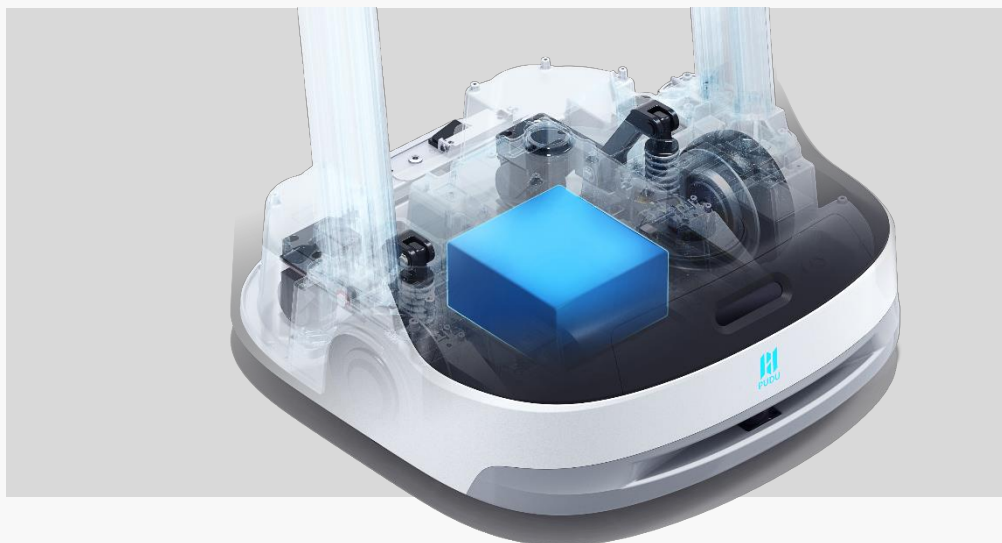
- Fusing laser and visual positioning & navigation technology
- Support Lidar SLAM, Vision SLAM, or Fusion (Lidar + Vision)
- Marker-less deployment, reducing 75% deployment time without redecoration of ceiling
- Comfortable operation even in high ceiling environment (up to 20 meters)





# Key Features

## High Performance LFP Battery



- Extended battery durance
- Operates up to 24h on a 3 hour charge
- 6X longer battery lifetime
- Enhanced safety and reliability

## Automatic Charging



- Compatible with Pudu Charging Pile
- Automatic recharge at set time or when battery level is lower than set threshold



# Key Features

## Multi-Modal Delivery

- One robot serves for multiple purposes

## Multi-Table Delivery

- Serve several tables at one go



Food Delivery Mode



Delivery Mode



Cruise Mode



Direct Mode



Dish Return Mode



Birthday Mode

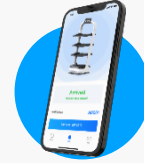
Meet the diversified delivery needs



# Key Features

## Calling and Notification

Autonomous and flexible, anytime and anywhere



### Calling Robot

- Support Pudu Watch & APP Calling
- Assign and manage tasks simply with one click



### VIP Room Notification

- Notify the guests on robot arrival
- Enable more efficient delivery service for private rooms



# Key Features

## Fully Enclosed Machine Design



Machine Slit  
 $\leq 1\text{mm}$



Effectively resist  
dust and water



# Key Features

## Multi-Robot Collaboration

- Powerful self-organized network
- Dispatch up to 20 robots in one environment
- Realtime environmental perception
- Automatically detour for traffic congestion
- Adapt to complex and dynamic scenarios
- Allow painless collaboration among robots





# Key Features

Various Forms, Versatile Accessories



Designed to meet the needs of business



# Key Features

## 24 X 7 Management and Analysis

**PUDU Merchant Management Platform**

HOME

Data Center

**Data report**

My Robots

Robot Skills

Store Setting

Account Mana...

Data report

yesterday Last 7 days Last 30 days 2022-04-01 → 2022-07-12 All stores

cruise data Attract customer data Interactive data Ad data Grid data

Running Mileage <b>10.9</b> Last Cycle 0 ▲ 0%	Runtime <b>14.31</b> Last Cycle 0 ▲ 0%	Interactive Visits <b>453</b> Last Cycle 0 ▲ 0%
--	---	--

Store Name	Product Name	Machine MAC	Running Mileage
PuduBot 2 Amy	kettybot	08:E9:F6:09:CF:E6	10.9



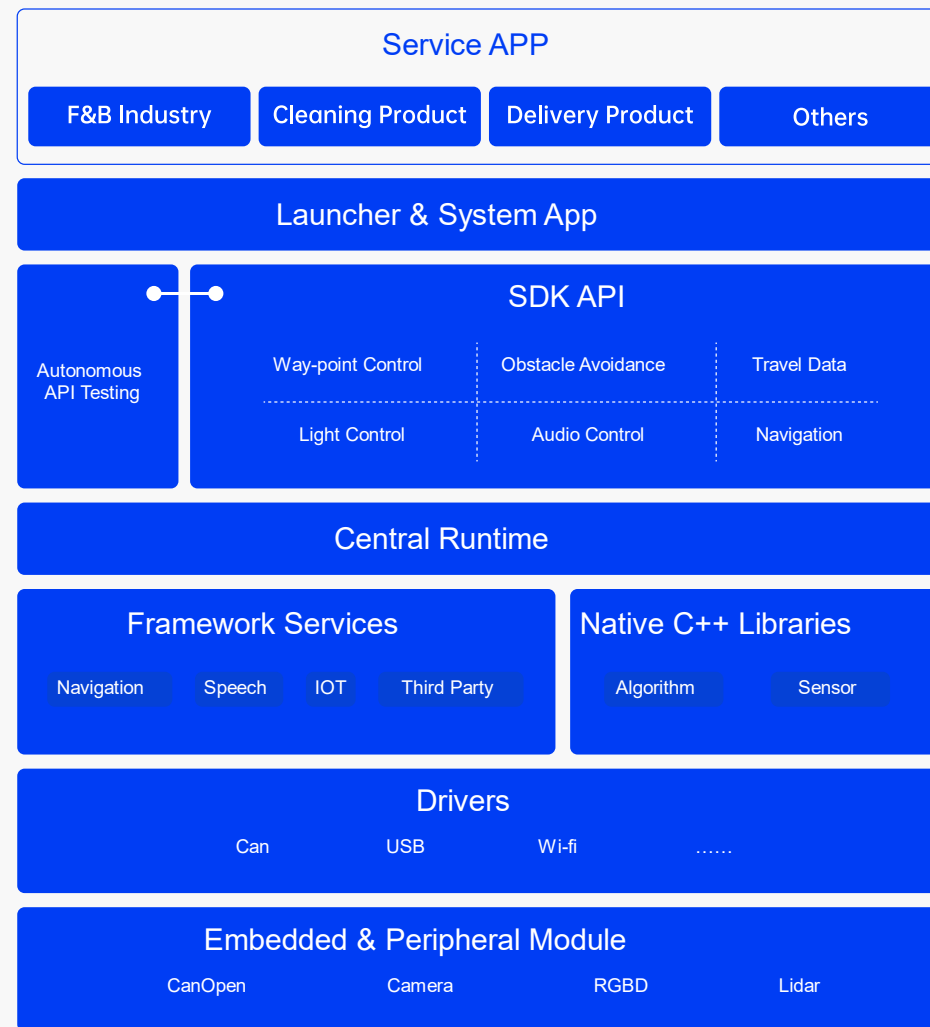


# Key Features

## PUDU OS

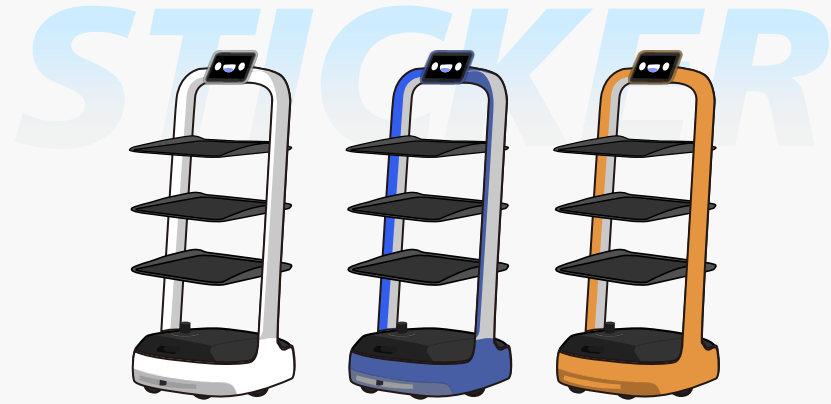
### All-inclusive Platform, Endless Capabilities

- PUDU self-developed integrated robot operating system platform based on various PUDU product with a powerful cloud platform
- PUDU self-developed security system with high credibility
- Open SDK API, support 3<sup>rd</sup> party integration and development



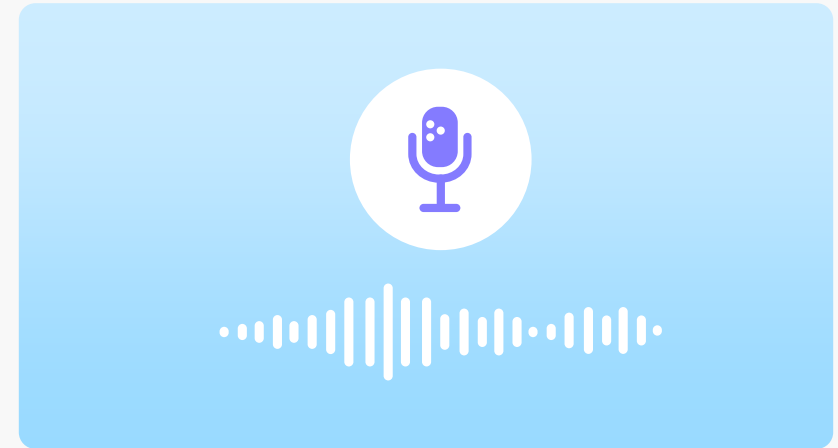
# Key Features

## Customization Services



### Customized Sticker

- Create your exclusive PuduBot 2 for greater brand exposure
- Make your robot unique and eye-catching



### Customized Voice Pack

- Online upgrade and real-time sync.



# Product Values

## Multi-Industry, Multi-Scenario Coverage



Restaurant & Café



Hospital & Clinic



Hotel & Resort



Office



Senior Living



Manufacture



Entertainment & Leisure



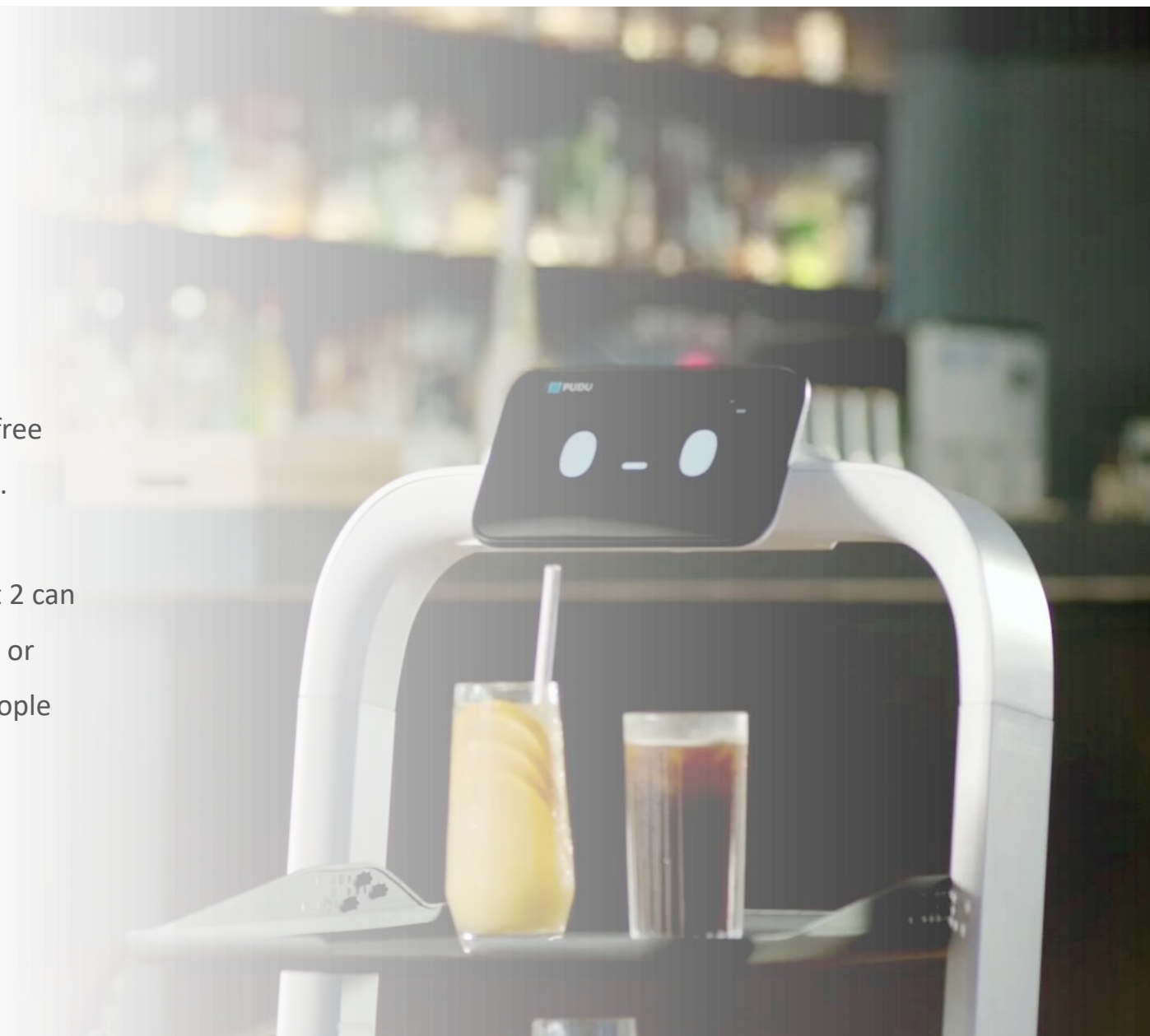
Retail



# Product Values

## Contact-free Delivery

The COVID-19 profoundly changes our way of life and production and lots of restaurants have offered contact-free delivery to guarantee the safe transfer of food nowadays. PuduBot 2 supports pager function and receives remote operation commands. In different use scenarios PuduBot 2 can receive demands from the pagers and collects the dishes or items automatically, reducing contagion risk between people while boosting delivery efficiency.

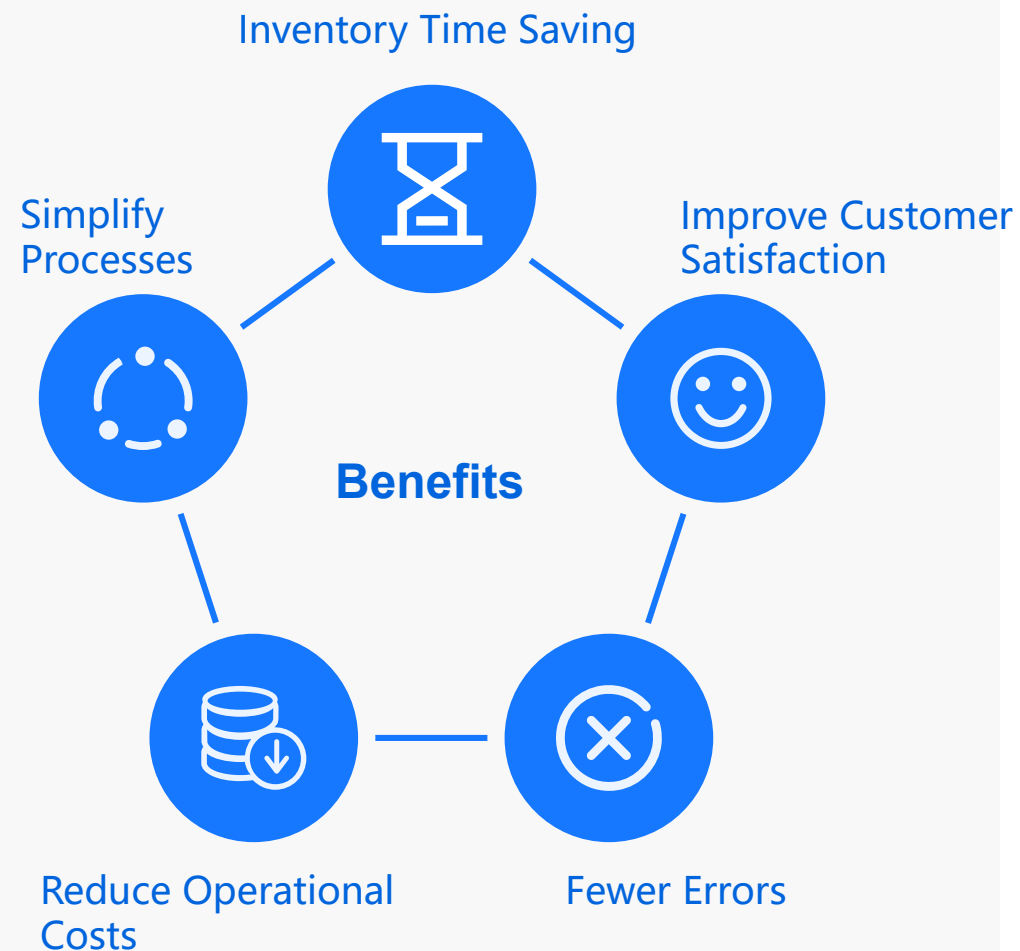


# Product Values

## Keep up with Trend of Restaurant Automation

Restaurant Automation is the use of automated or robotic technology to complete tasks throughout the restaurant and facility in order to simplify ordering, meals preparing, food delivery and bill payment.

Embedded in strong foundations and in-depth understanding of catering industry, PuduBot 2 possesses the significant features to streamline the food delivery services. And the powerful multi-robot dispatch system distinctly cuts down on the human labor required to stay up and table running.



# Product Values

## Mitigate Labor Shortage

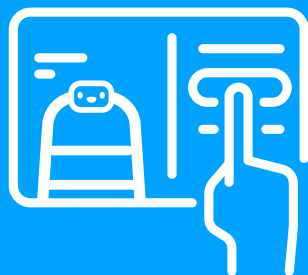
The pandemic has been hugely devastating to the labor market and fundamentally altered the industries and locations where would-be employees want to work. Employers are struggling in looking for and retaining qualified staffs.

Deploying robots to replace the 4-D jobs (Dull, Duplicate, Dirty and Dangerous) is trendy and will become ubiquitous in future. With the help of robots, employees may focus more on the high-value work and have a better work environment, which results in better work experience and satisfaction.

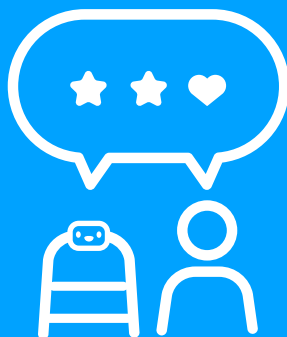
# Product Values

## Revolutionize Customer Experience

Commercial robots are being successfully integrated into different hospitality organizations or retail stores to improve customer experience.



Streamlining underlying processes



Reducing friction to create the sense of seamlessness and delight



Boosting customer experience by re-allocating more humans into front-facing roles



Enhancing customer journey by providing innovative experience