

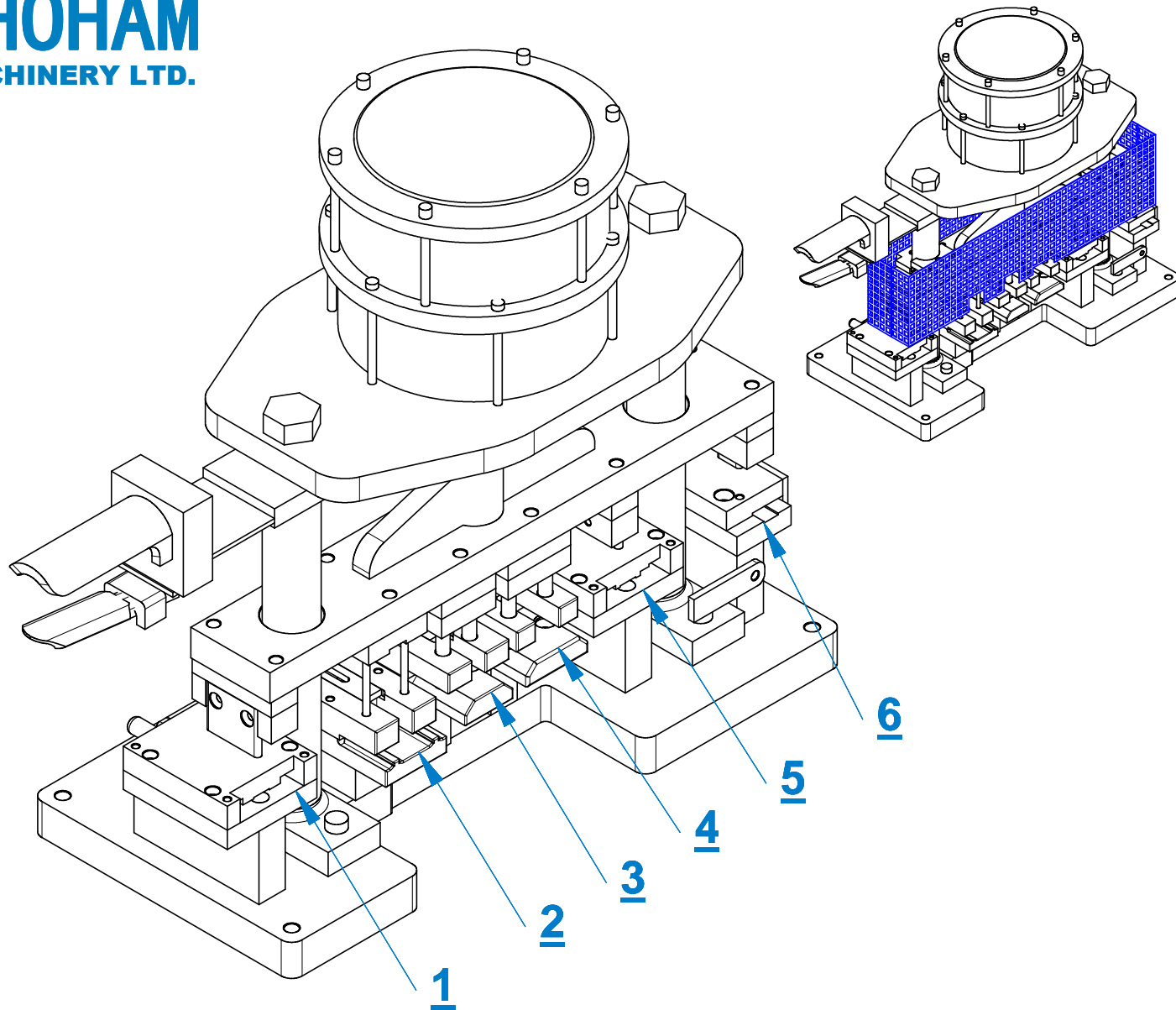


**Pneumatic press Model Alumicor AL-601
for series 2200 & 2500 & 2600**



| Pneumatic Punch Press by Shoham Machinery Ltd. distributed in Canada by AluMen Ltd. | | | |
|---|------------------------------|---|---|
| Punch Press | Series | Description | Profiles Processed |
| Alumicor AL-601 | Alumicor 2200 | The 6 die set punches and coins 2200, 2500 and 2600 Systems horizontal for shear block attachment, pressure plates and caps for weep slots. Perforation force: 5000 Kg Required Air supply: 8 Bars Dimensions: W600mm, D250mm, H550 mm | <u>Alumicor 2200 Series</u> 22210, 22220, 22230, 22320, 22050, 22070, 22090, 2200-137, 2200-174, 2200-175 & all special caps |
| | 2500 | Weight: 98 Kg Sound pressure level: 85dB(A) | <u>Alumicor 2500 Series</u> 25010, 25020, 25440, 25030, 25040, 25080, 25300, 25310, 25330, 25430, 25050, 25060, 25070, 25170, 25150, 25160, 25180, 25250, 25290, 25090, 25270, 25240, JC2, JC3, JC9 & all special caps |
| | 2600 Curtain Wall Systems | Standard set includes all die sets, safety guards to protect punch points (front & back) and a hand lever or foot pedal. | <u>Alumicor 2600 Series</u> 25759, 25754, 25774, 25756, 25784, 25763, 25764, 25778, 25766, 25786, 25748, 25749, 25750, 25782 & all caps and pressure plates of Alumicor 2500 Series |

Pneumatic press Model Alumicor AL-601 for series 2200&2500&2600



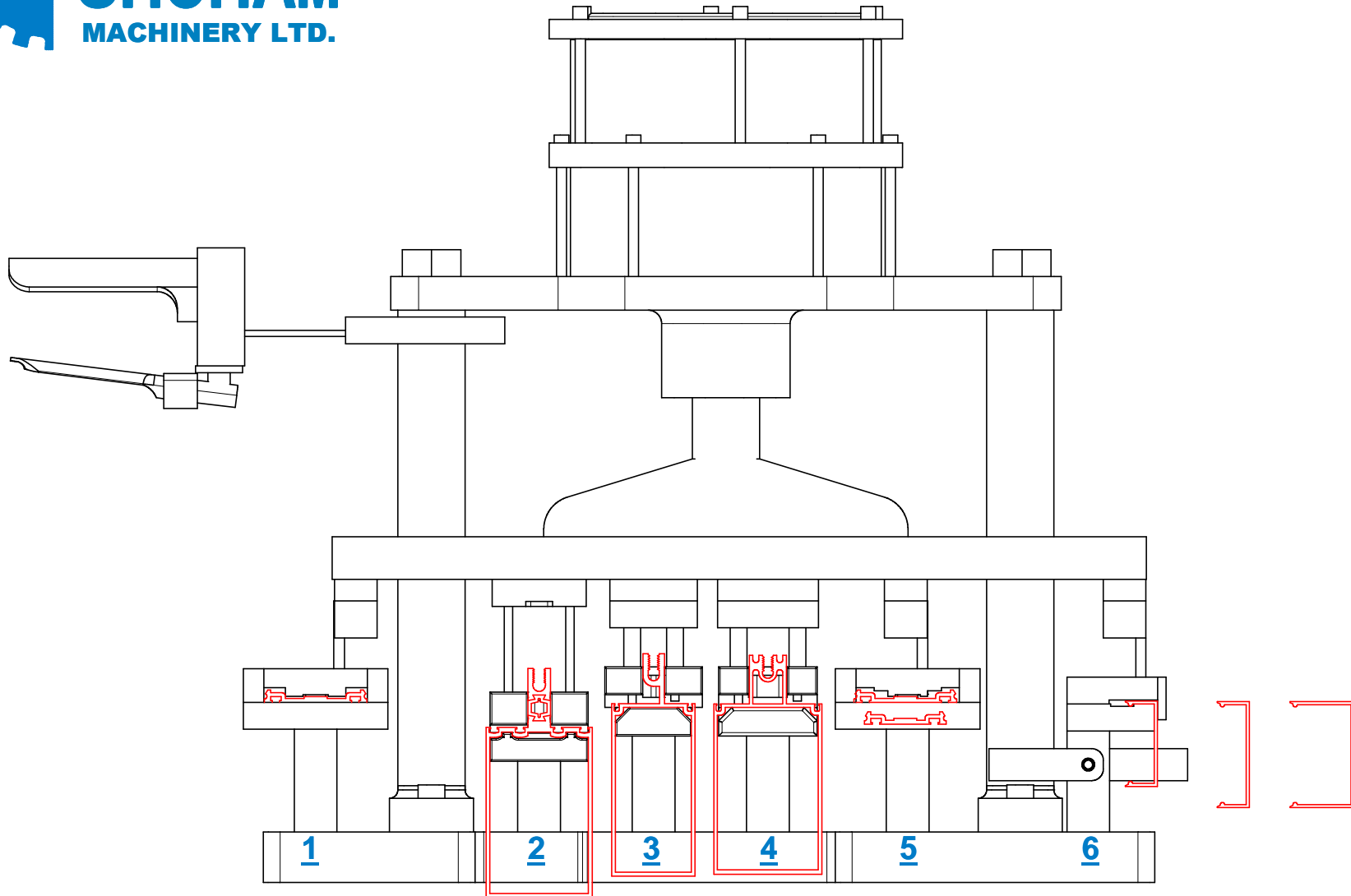
190313

THIS DRAWING IS THE PROPERTY OF SHOHAM MACHINERY LTD AND ITS SUBSIDIARIES AND MUST NOT BE COPIED OR REPRODUCED WITHOUT THEIR PERMISSION

10 HaKishor St. Holon Industrial-Zone 5886703, Israel Tel. +972-3-6797600 Fax. +972-3-6830213

www.shoham-machinery.com info@shoham-mach.co.il

Model Alumicor AL-601 for series 2200&2500&2600

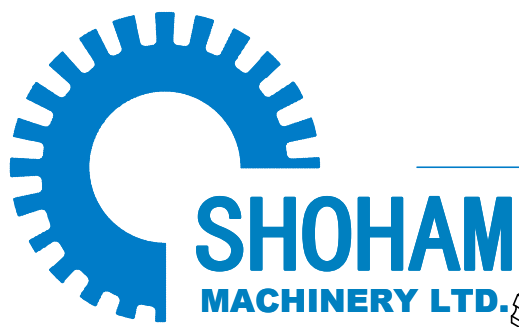


190313

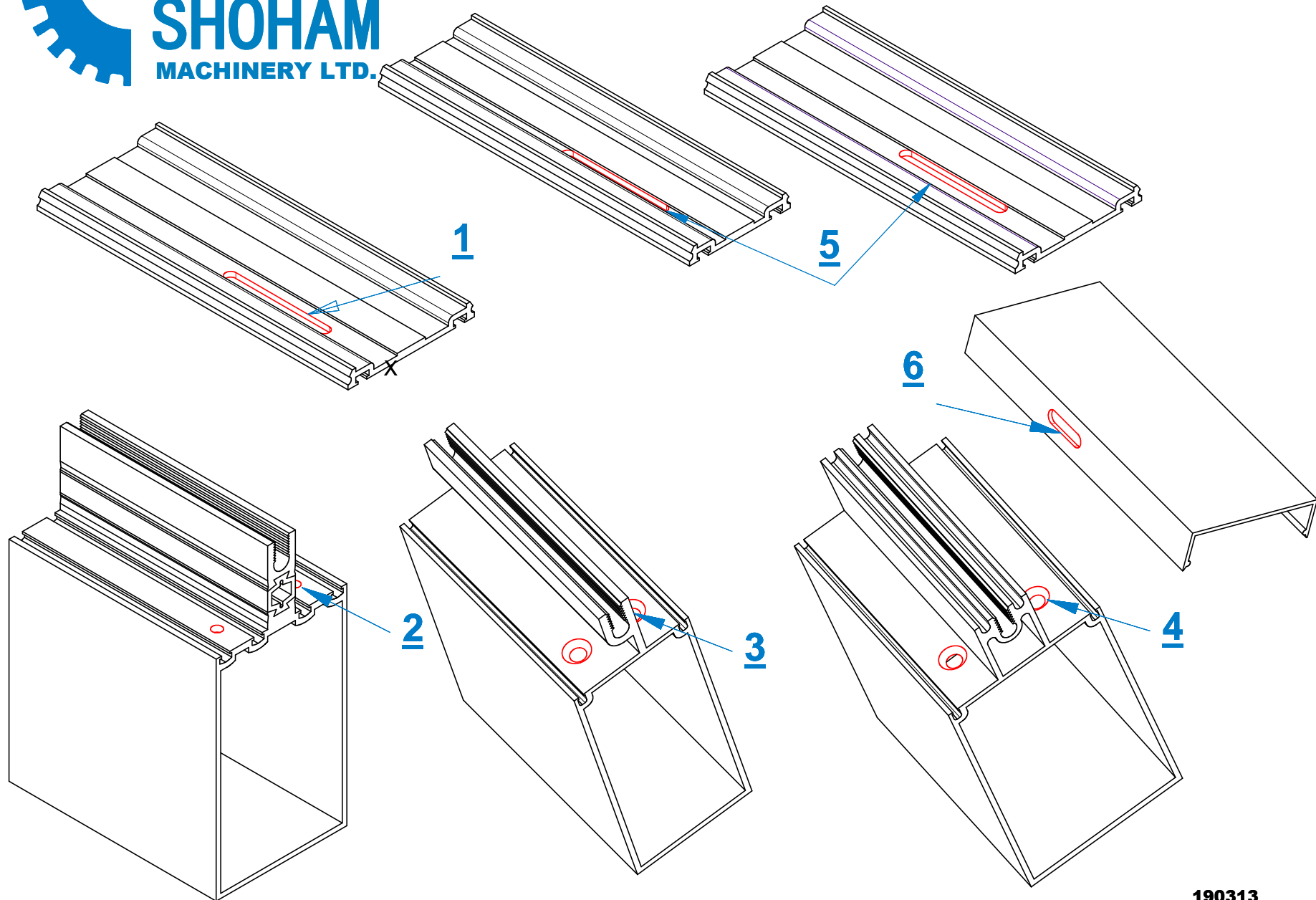
THIS DRAWING IS THE PROPERTY OF SHOHAM MACHINERY LTD AND ITS SUBSIDIARIES AND MUST NOT BE COPIED OR REPRODUCED WITHOUT THEIR PERMISSION

10 HaKishor St. Holon Industrial-Zone 5886703, Israel Tel. +972-3-6797600 Fax. +972-3-6830213

www.shoham-machinery.com info@shoham-mach.co.il



Model Alumicor AL-601 for series 2200&2500&2600



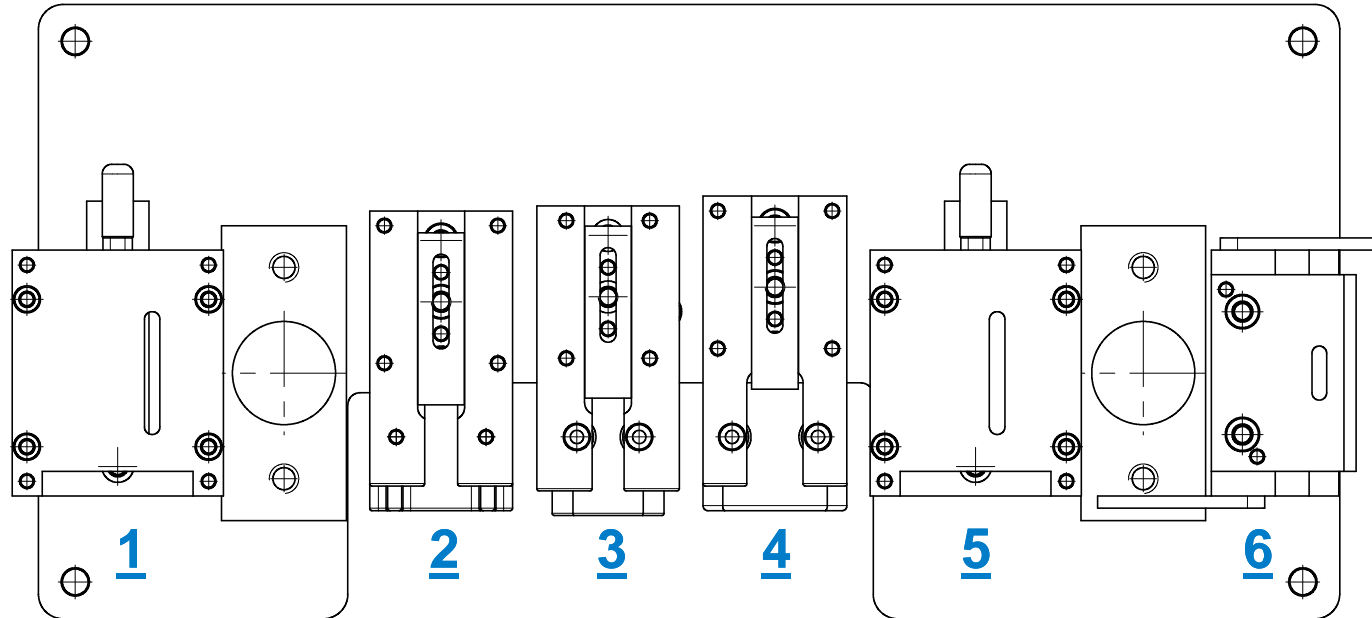
190313

THIS DRAWING IS THE PROPERTY OF SHOHAM MACHINERY LTD AND ITS SUBSIDIARIES AND MUST NOT BE COPIED OR REPRODUCED WITHOUT THEIR PERMISSION

10 HaKishor St. Holon Industrial-Zone 5886703, Israel Tel. +972-3-6797600 Fax. +972-3-6830213

www.shoham-machinery.com info@shoham-mach.co.il

Model Alumicor AL-601 for series 2200&2500&2600



| STATION | SERIAL | DESCRIPTION |
|---------|---------|--|
| 1 | AL601-1 | Alumicor Pressure Plate drainage slot 6.35x50mm for 2500 series |
| 2 | AL601-2 | Alumicor Mullion end-punch without csk for 2600 series |
| 3 | AL601-3 | Alumicor Mullion end-punch including csk for 2200 series |
| 4 | AL601-4 | Alumicor Mullion end-punch including csk for 2500 series |
| 5 | AL601-5 | Alumicor Pressure Plate drainage slot 6.35x50mm for 2200&2600 series |
| 6 | AL601-6 | Alumicor Cap drainage slot 6x22mm for 2200&2500 series |

190313