

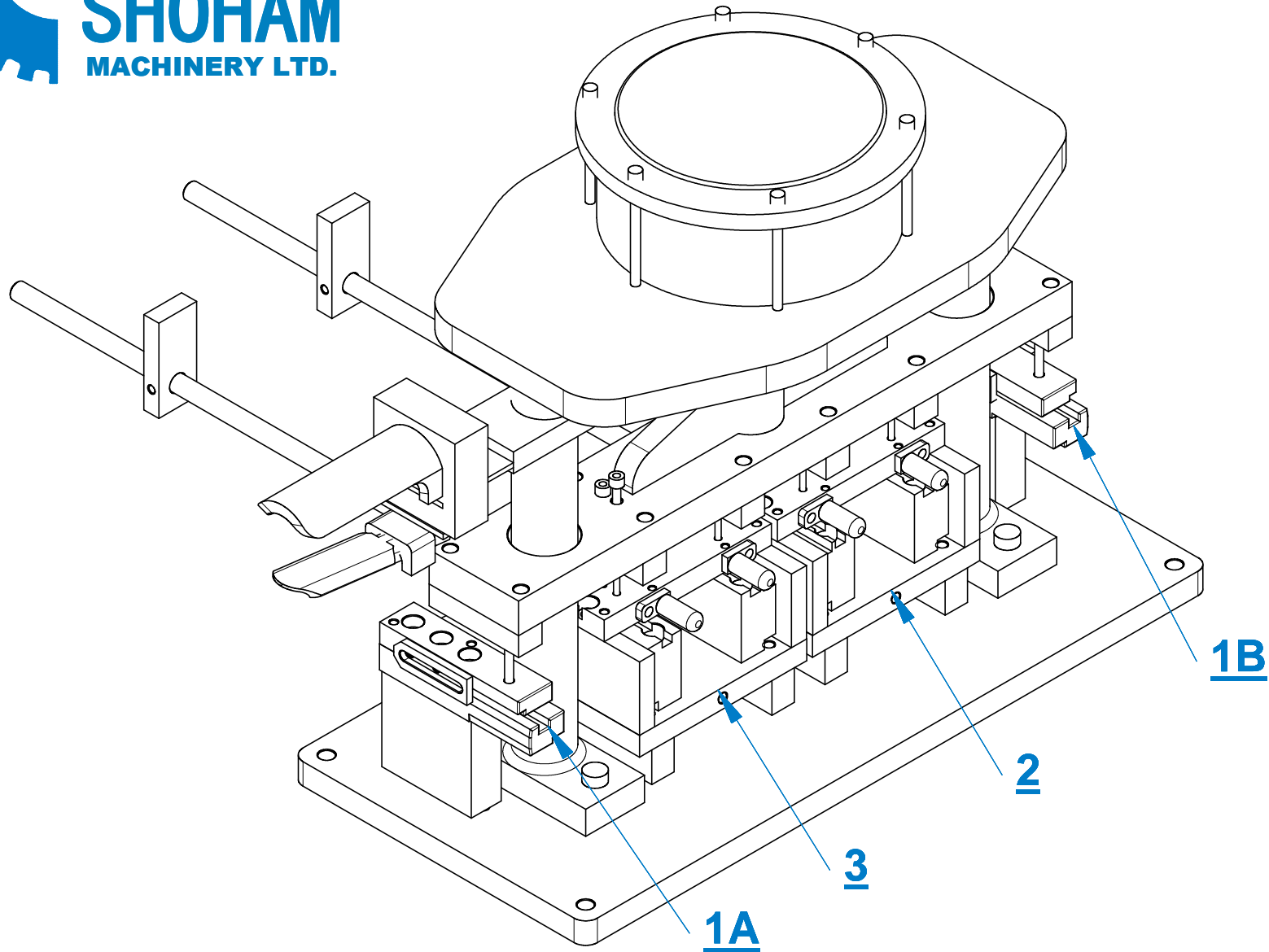


**Pneumatic press Model Alumicor AL-602/1
for series 3400**



Pneumatic Punch Press by Shoham Machinery Ltd. distributed in Canada by AluMen Ltd.			
Punch Press	Series	Description	Profiles Processed
Alumicor AL-602/1	Alumicor 3400 Storefront System	<p>The 4 die set punches and coins 3400 System horizontals and verticals for shear block or direct screw attachment.</p> <p>Perforation force: 2500 Kg</p> <p>Required Air supply: 8 Bars</p> <p>Dimensions: W600mm, D250mm, H550 mm</p> <p>Weight: 98 Kg</p> <p>Sound pressure level: 85dB(A)</p> <p>Standard set includes all die sets, safety guards to protect punch points (front & back) and a hand lever or foot pedal.</p>	<p><u>Alumicor 3400 Series</u></p> <p>34011, 34041 34051, 34170</p>

Pneumatic press Model Alumicor AL-602/1 for series 3400

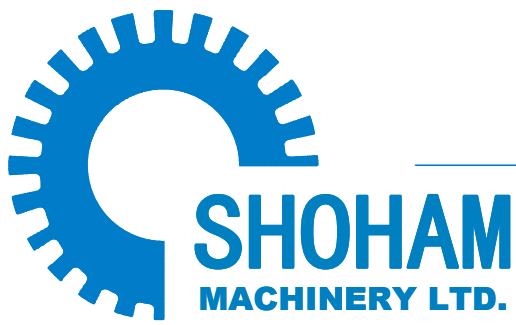


300815

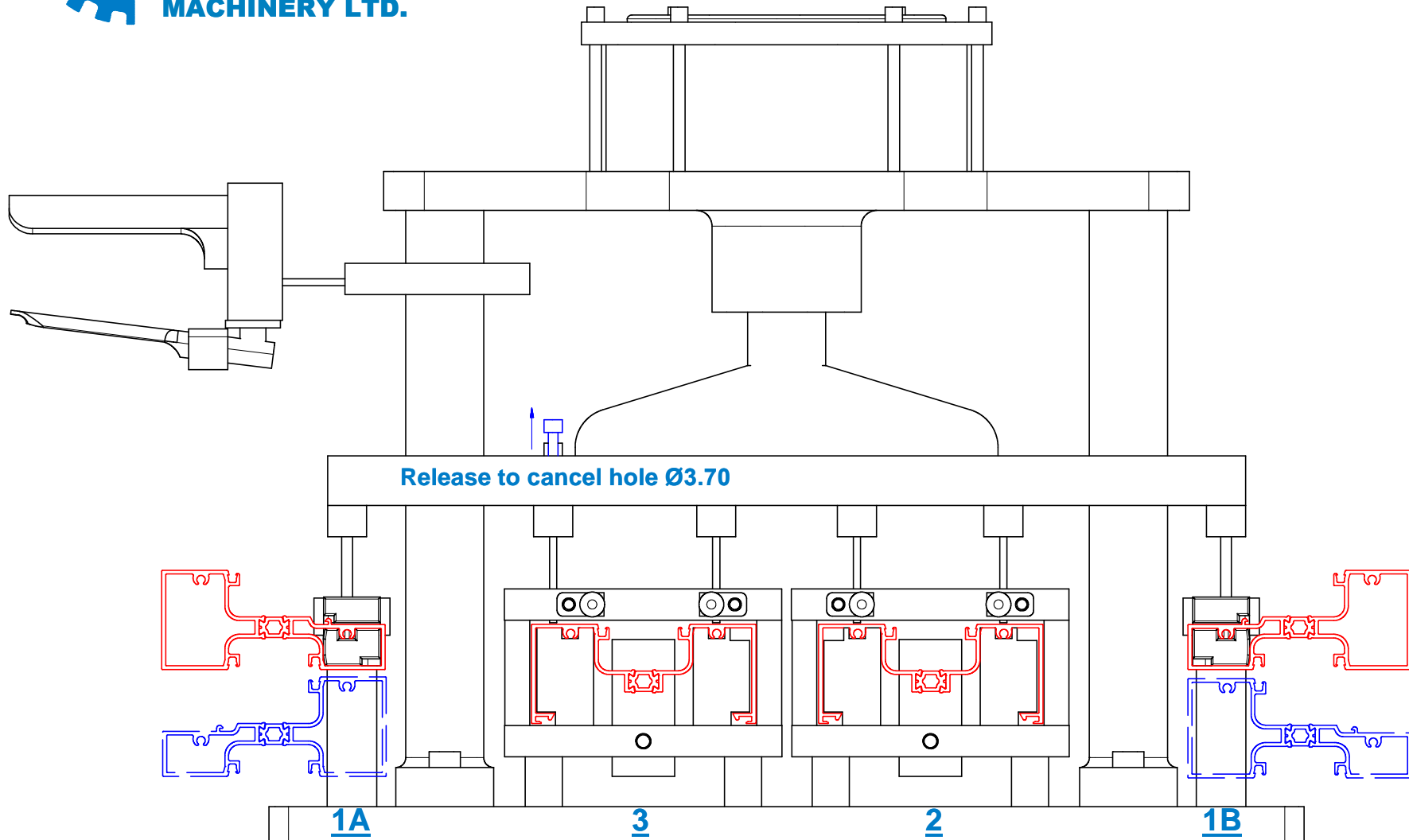
THIS DRAWING IS THE PROPERTY OF SHOHAM MACHINERY LTD AND ITS SUBSIDIARIES AND MUST NOT BE COPIED OR REPRODUCED WITHOUT THEIR PERMISSION

10 HaKishor St. Holon Industrial-Zone 5886703, Israel Tel. +972-3-6797600 Fax. +972-3-6830213

www.shoham-machinery.com info@shoham-mach.co.il



Model Alumicor AL-602/1 for series 3400



34011
34041
34051

34011

34011

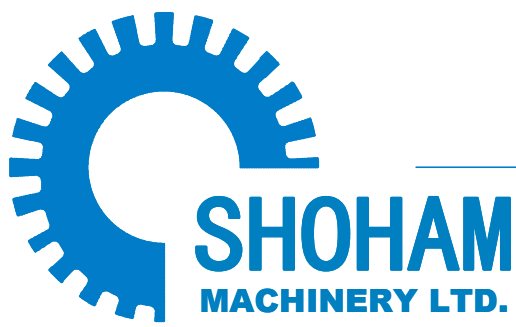
34011
34041
34051

300815

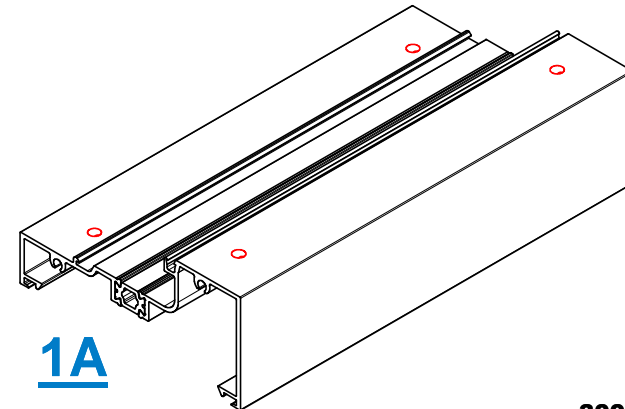
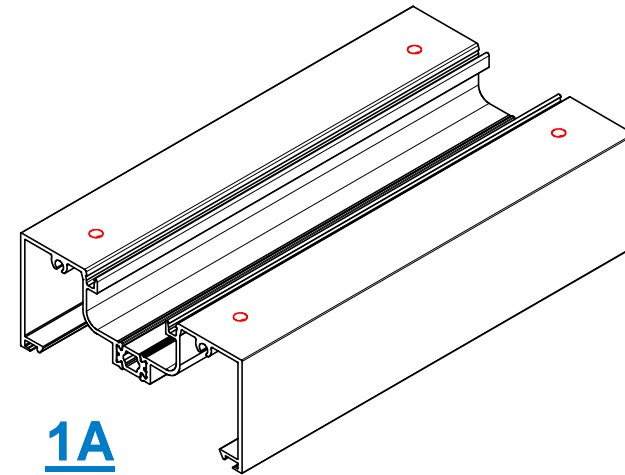
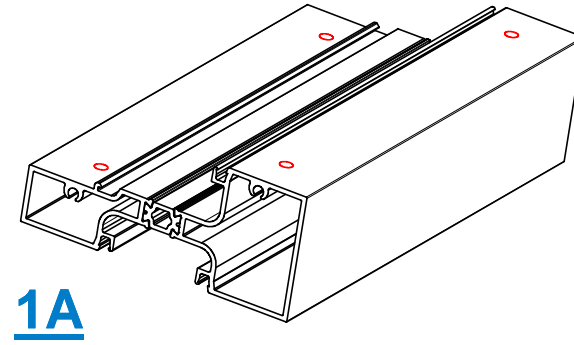
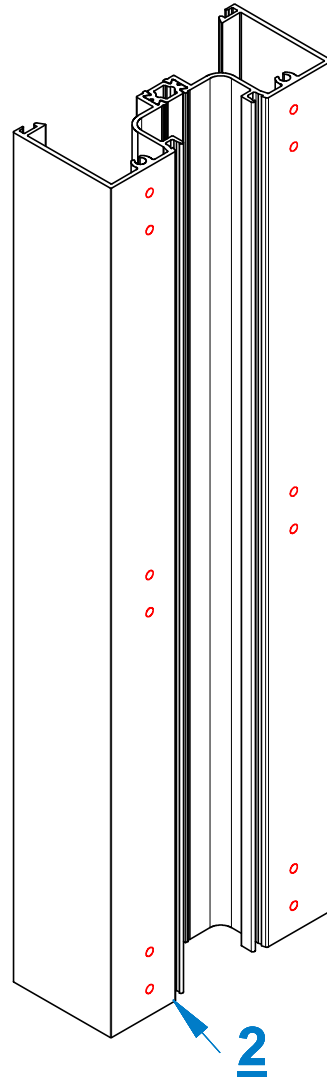
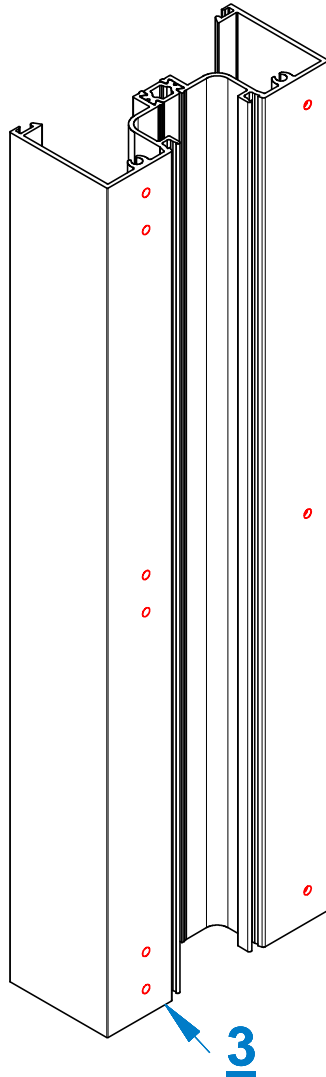
THIS DRAWING IS THE PROPERTY OF SHOHAM MACHINERY LTD AND ITS SUBSIDIARIES AND MUST NOT BE COPIED OR REPRODUCED WITHOUT THEIR PERMISSION

10 HaKishor St. Holon Industrial-Zone 5886703, Israel Tel. +972-3-6797600 Fax. +972-3-6830213

www.shoham-machinery.com info@shoham-mach.co.il



Model Alumicor AL-602/1 for series 3400



300815

THIS DRAWING IS THE PROPERTY OF SHOHAM MACHINERY LTD AND ITS SUBSIDIARIES AND MUST NOT BE COPIED OR REPRODUCED WITHOUT THEIR PERMISSION

10 HaKishor St. Holon Industrial-Zone 5886703, Israel Tel. +972-3-6797600 Fax. +972-3-6830213

www.shoham-machinery.com info@shoham-mach.co.il