

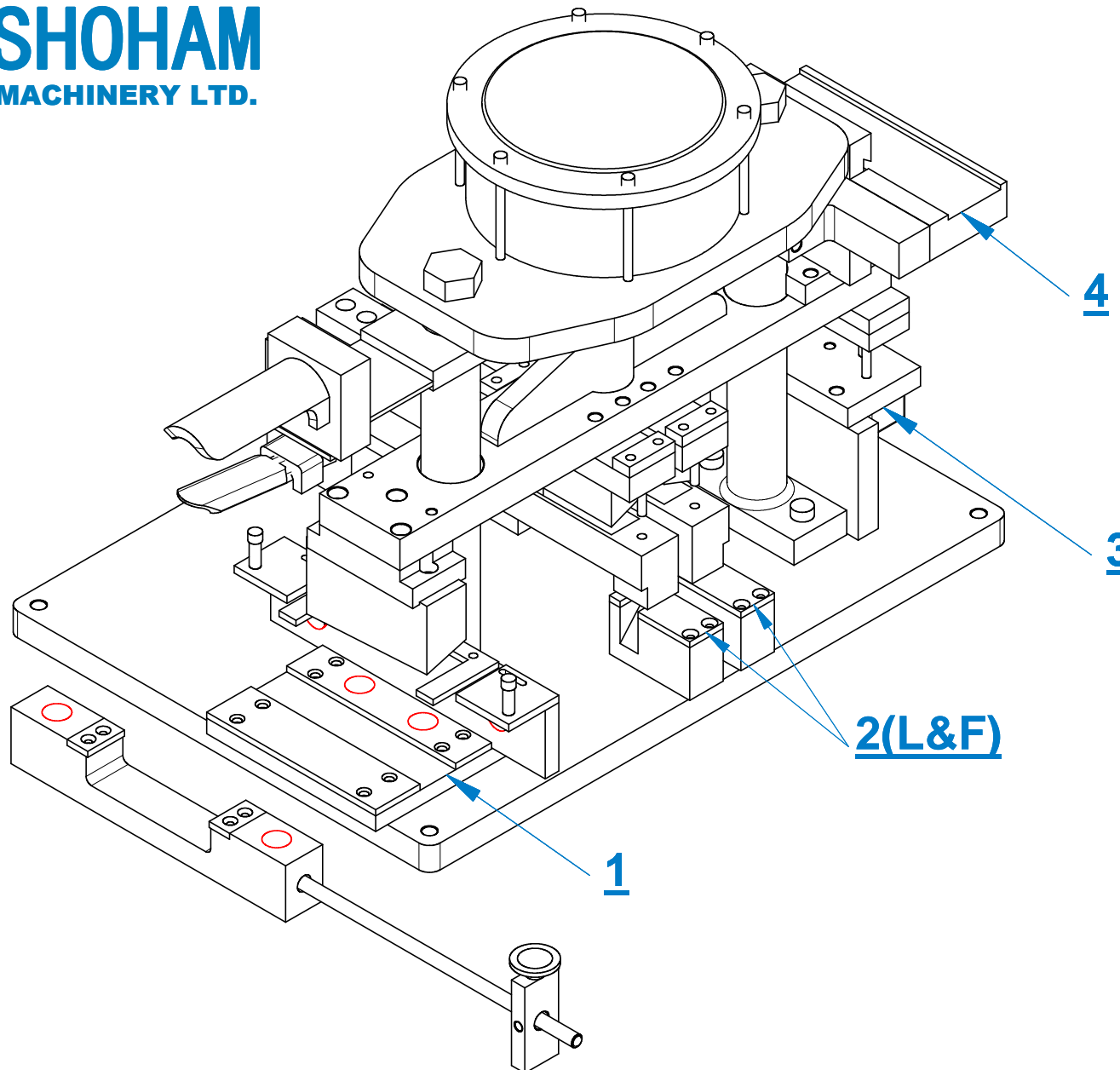


**Pneumatic press Model Alumicor AL-603
for series 3400 & 1800**



Pneumatic Punch Press by Shoham Machinery Ltd. distributed in Canada by AluMen Ltd.			
Punch Press	Series	Description	Profiles Processed
Alumicor AL-603	Alumicor 3400 & 1800 Storefront Systems	<p>The 5 die set punches and coins 3400 & 1800 Systems for door hinges and overhead stops.</p> <p>Perforation force: 2500 Kg</p> <p>Required Air supply: 8 Bars</p> <p>Dimensions: W600mm, D250mm, H550 mm</p> <p>Weight: 98 Kg</p> <p>Sound pressure level: 85dB(A)</p> <p>Standard set includes all die sets, safety guards to protect punch points (front & back) and a hand lever or foot pedal.</p>	<p><u>Alumicor 3400 Series</u> 34081, 18030, 18020 34031, 34170</p>

Pneumatic press Model Alumicor AL-603 for series 3400 & 1800

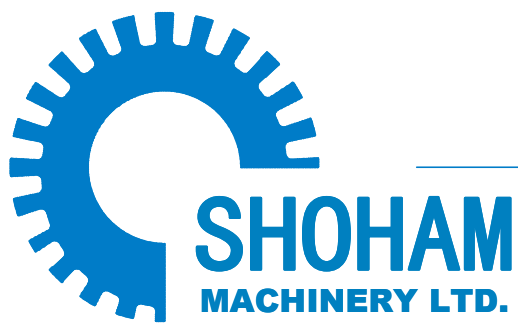


010915

THIS DRAWING IS THE PROPERTY OF SHOHAM MACHINERY LTD AND ITS SUBSIDIARIES AND MUST NOT BE COPIED OR REPRODUCED WITHOUT THEIR PERMISSION

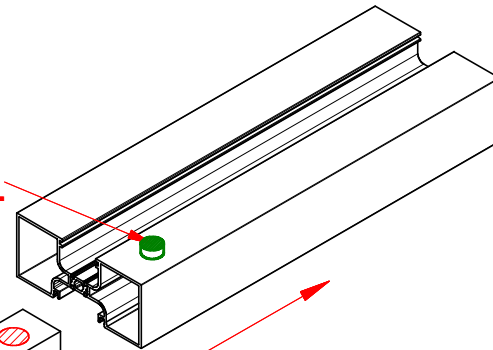
10 HaKishor St. Holon Industrial-Zone 5886703, Israel Tel. +972-3-6797600 Fax. +972-3-6830213

www.shoham-machinery.com info@shoham-mach.co.il

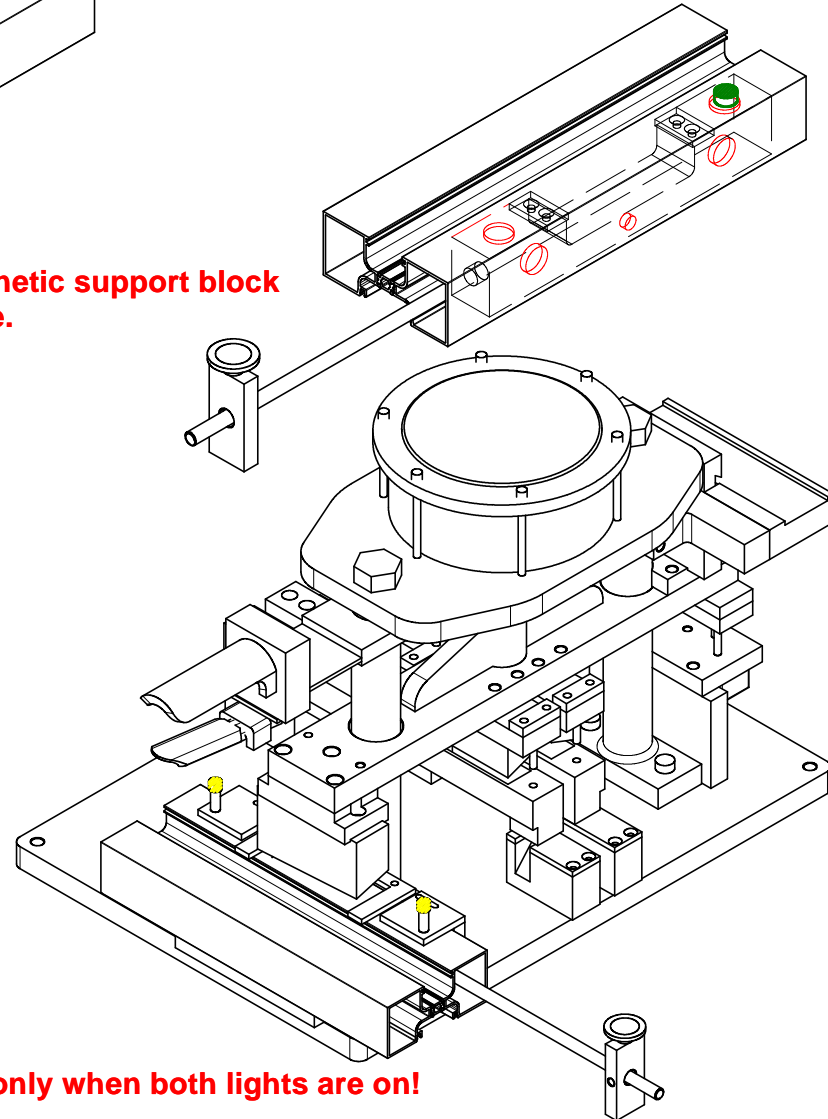
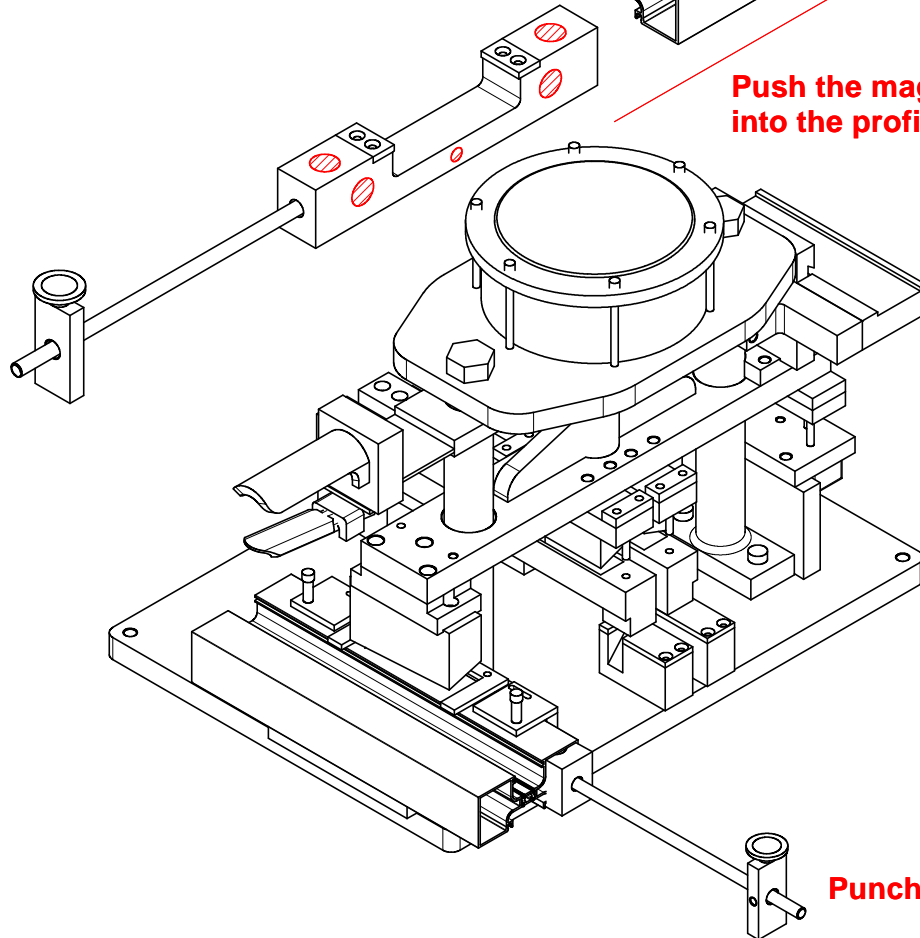
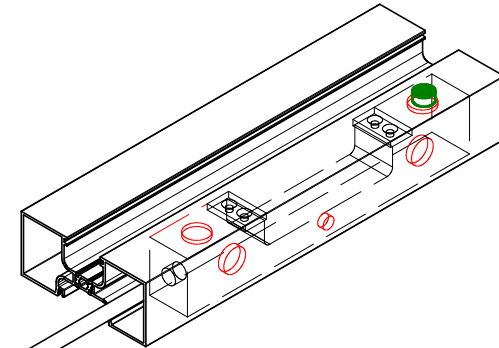


Model Alumicor AL-603 for series 3400 & 1800

Magnetic mark - to show the position
of the support block inside the profile.



Push the magnetic support block
into the profile.



Punch only when both lights are on!

010915

THIS DRAWING IS THE PROPERTY OF SHOHAM MACHINERY LTD AND ITS SUBSIDIARIES AND MUST NOT BE COPIED OR REPRODUCED WITHOUT THEIR PERMISSION

10 HaKishor St. Holon Industrial-Zone 5886703, Israel Tel. +972-3-6797600 Fax. +972-3-6830213

www.shoham-machinery.com info@shoham-mach.co.il

