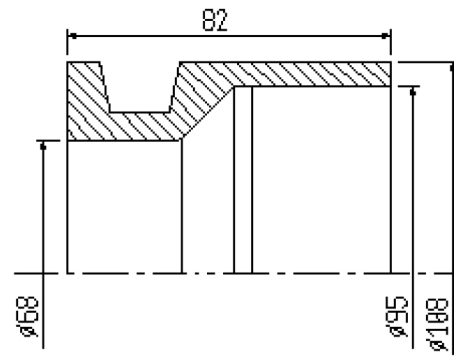


G2/001
sleeve



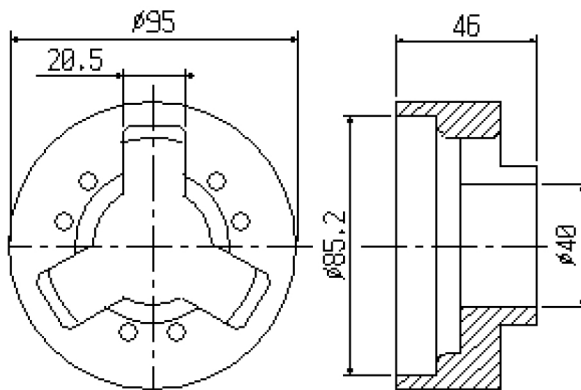
G2/002
sleeve



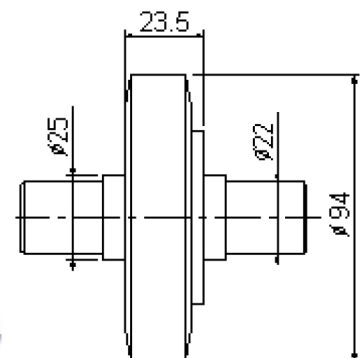
G2/003
toggle
341-10-213



G2/007
ring
342-10-212



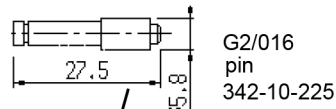
G2/011
ring
341-10-214



G2/040
roller



G2/013
nut
342-10-220/2



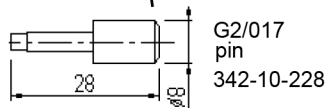
G2/016
pin
342-10-225



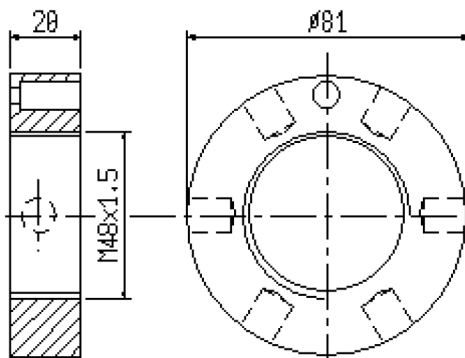
G2/014
nut
342-10-222/2



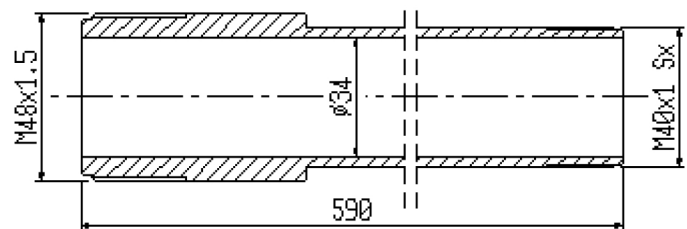
G3/090
spring
342-10-216



G2/017
pin
342-10-228



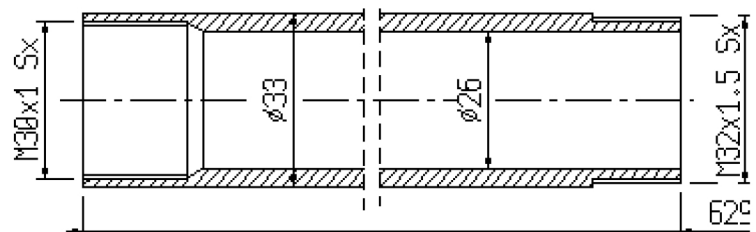
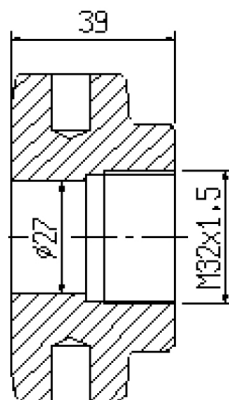
G2/009
nut
342-10-221



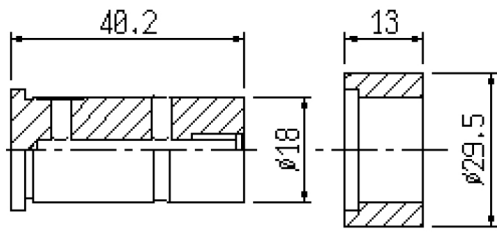
G2/010
collet tube
351-10-217



G2/015
nut

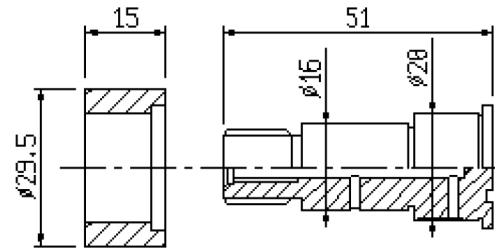


G2/012
feed tube



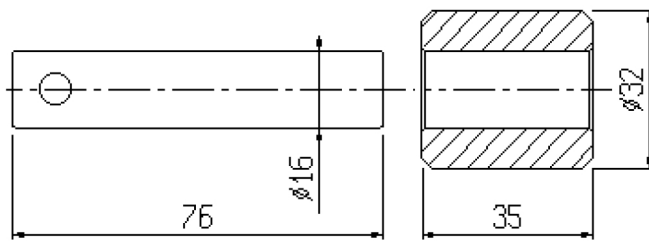
G3/031P
pin

G3/031R
roller



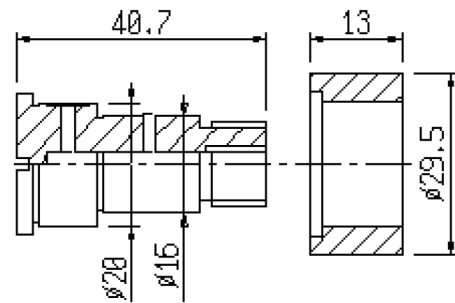
G3/032R
roller

G3/032P
pin



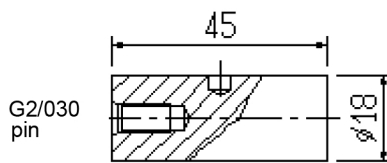
G3/038P
pin

G3/038R
roller

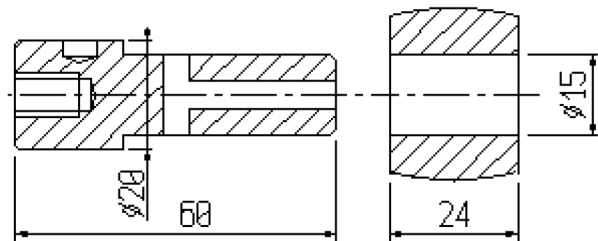


G3/030R
roller

G3/030P
pin

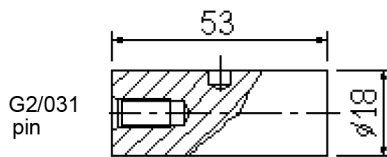


G2/030
pin

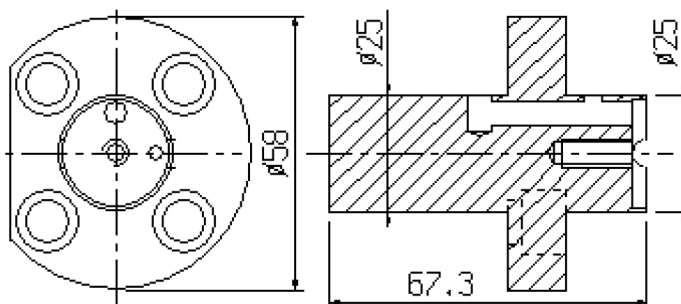


G3/037P
pin

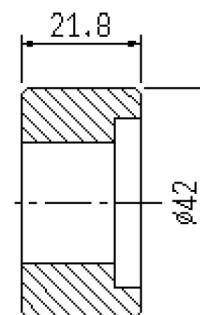
G3/037R
roller



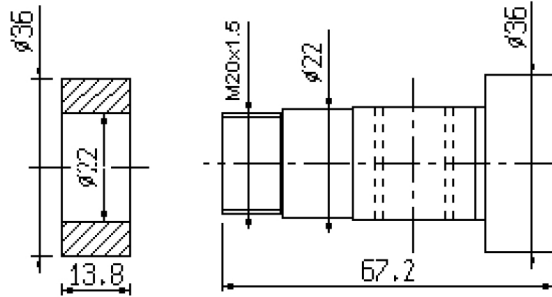
G2/031
pin



G3/033P
centre block pivot
302-19-106



G3/033R
roller
302-19-107

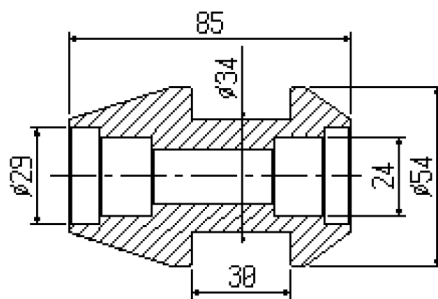


G5/039R
roller

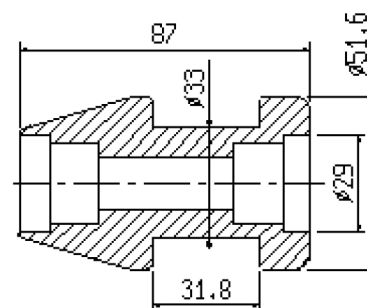
G5/039P
pin



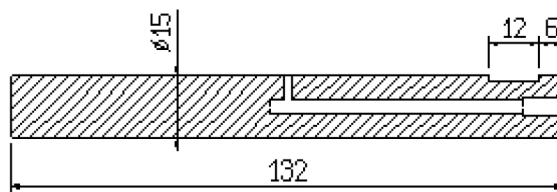
G5/039
303-08-1380/001



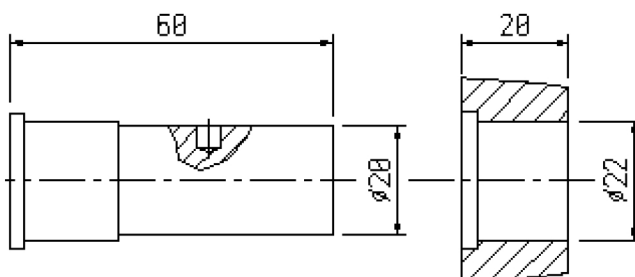
G4/050
roller



G3/050
roller
343-09-1370



G3/052
pin



G4/033P
pin

G4/033R
roller



Pairs of feed and speed gears