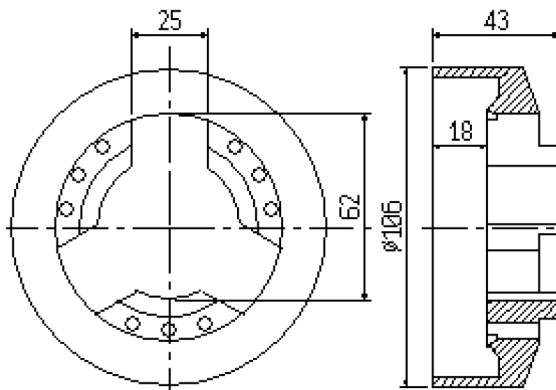


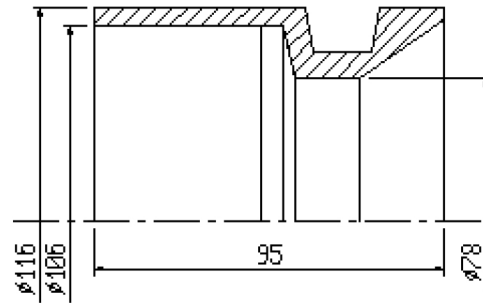
G3/004B
toggle
342-10-2130/000



G3/004
toggle
342-10-2130/001



G3/011A
ring
342-10-214/1

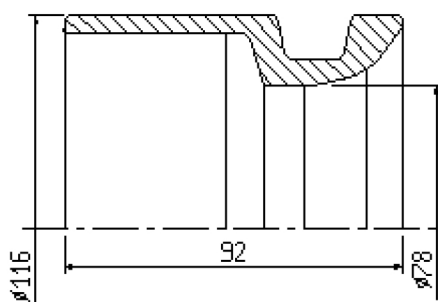


G3/001
sleeve
342-10-2110/001

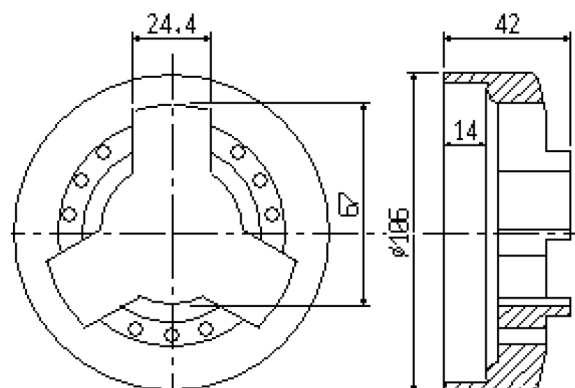


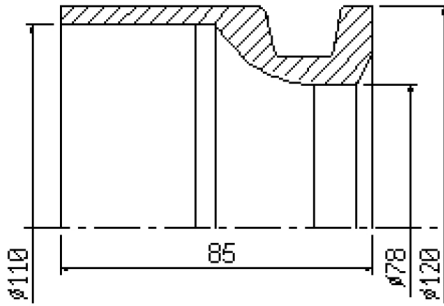
G3/005
toggle
342-10-2130/002

G3/002
sleeve
342-10-2110/002

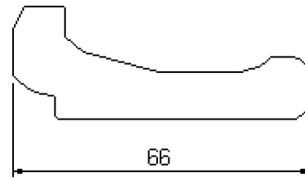


G3/011B
ring
342-10-214/3

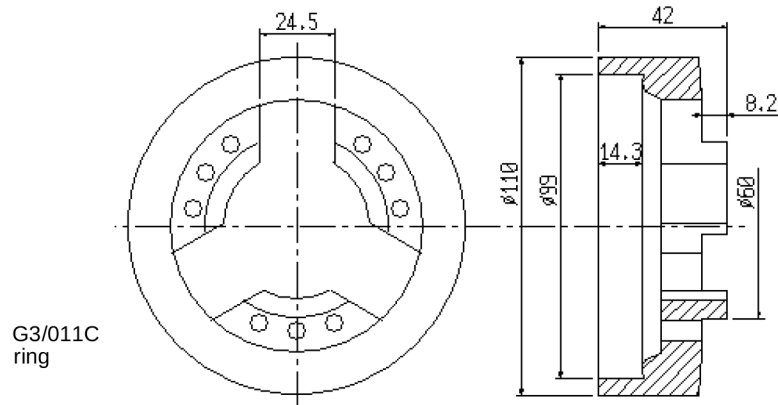




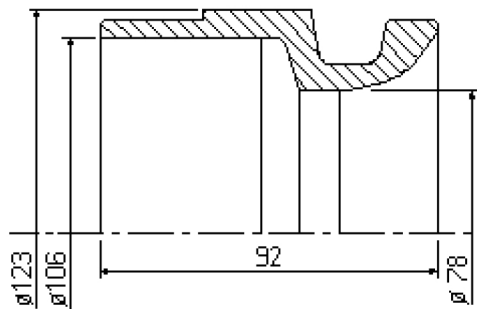
G3/003B
sleeve
342-10-2110/003



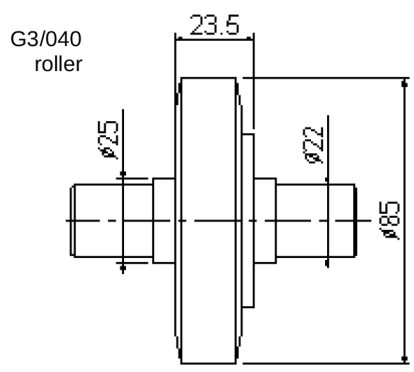
G3/006
toggle
342-10-2130/003



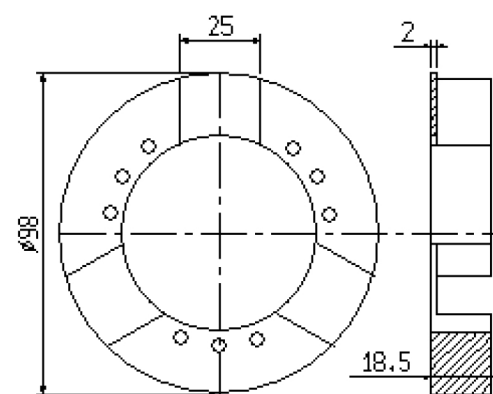
G3/011C
ring



AA32
G6/001
sleeve



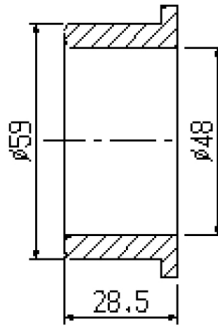
G3/040
roller



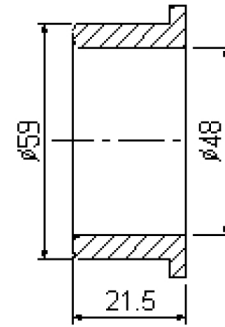
G3/018
ring
342-10-215/1



G3/019B
sleeve
342-10-210/2



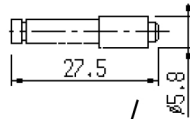
G3/007
ring
342-10-212/2



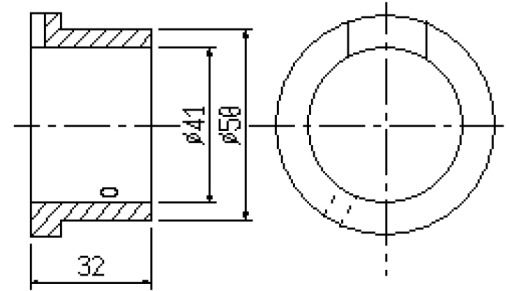
G3/007B
ring
342-10-212/2



G2/013
nut
342-10-220/2



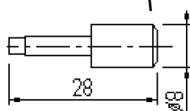
G2/016
pin
342-10-225



G3/008
bronze bush
10-110



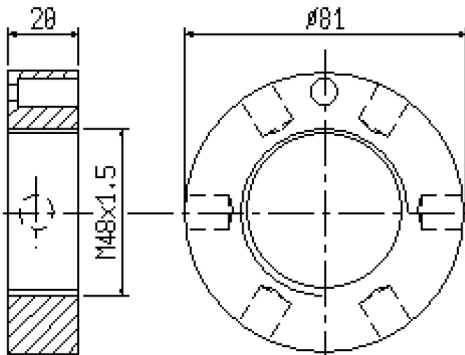
G2/014
nut
342-10-222/2



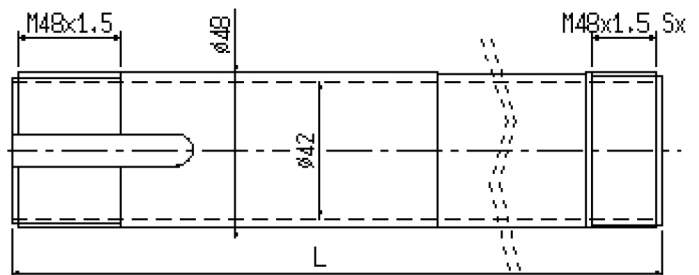
G2/017
pin
342-10-228



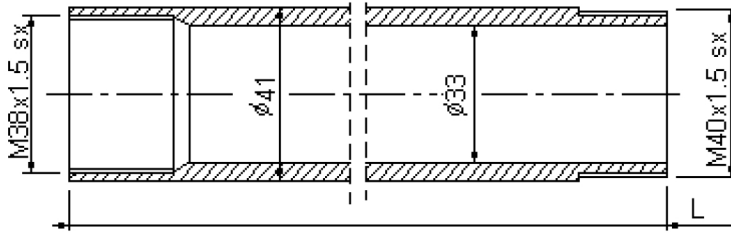
G3/090
spring
342-10-216



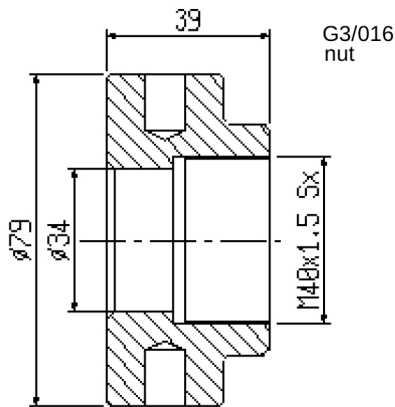
G2/009
nut
342-10-221



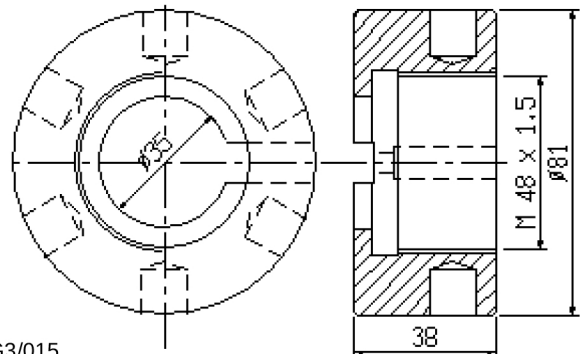
G3/010
collet tube



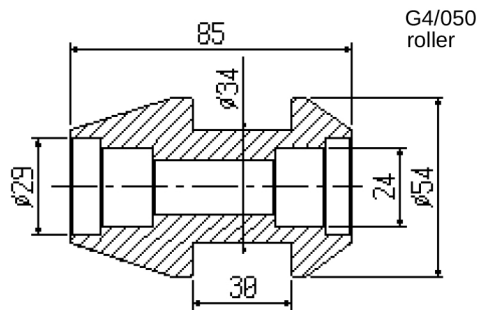
G3/012
feed tube



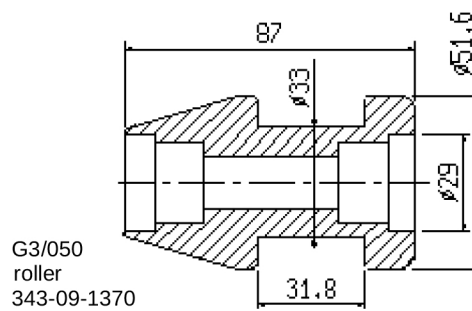
G3/016
nut



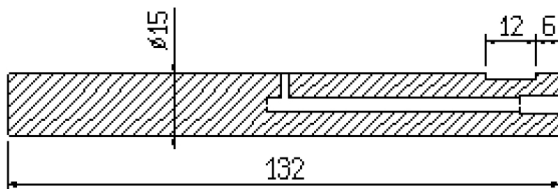
G3/015
nut



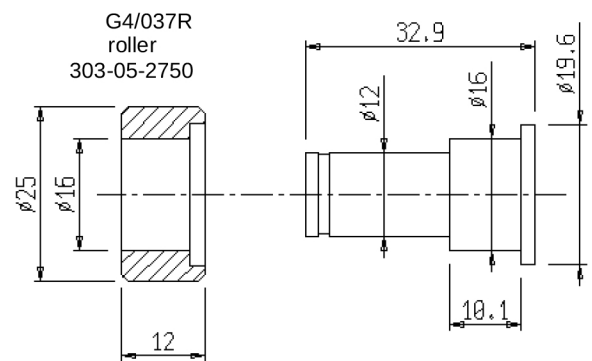
G4/050
roller



G3/050
roller
343-09-1370

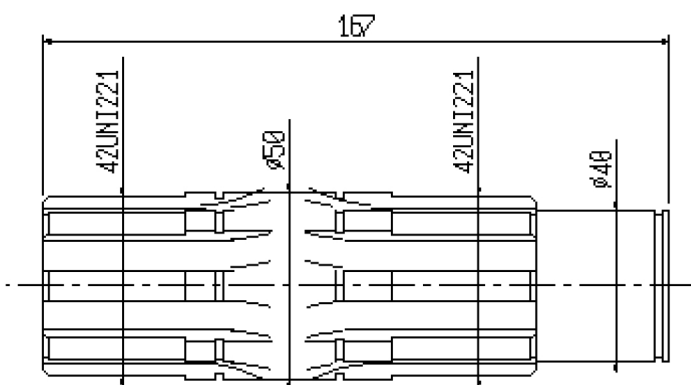


G3/052
pin

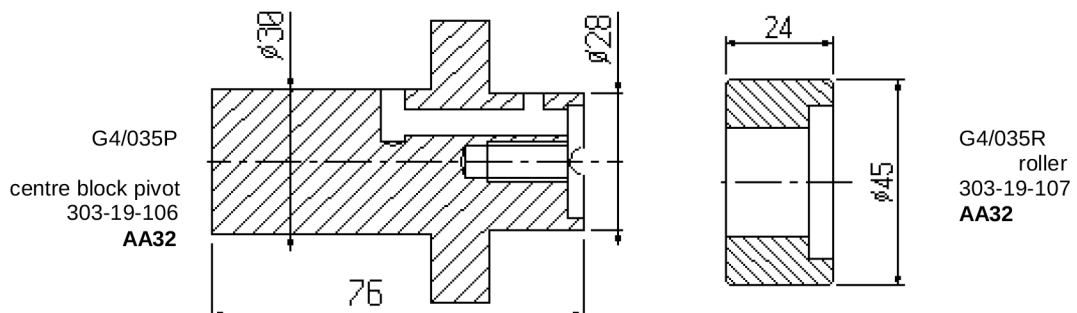
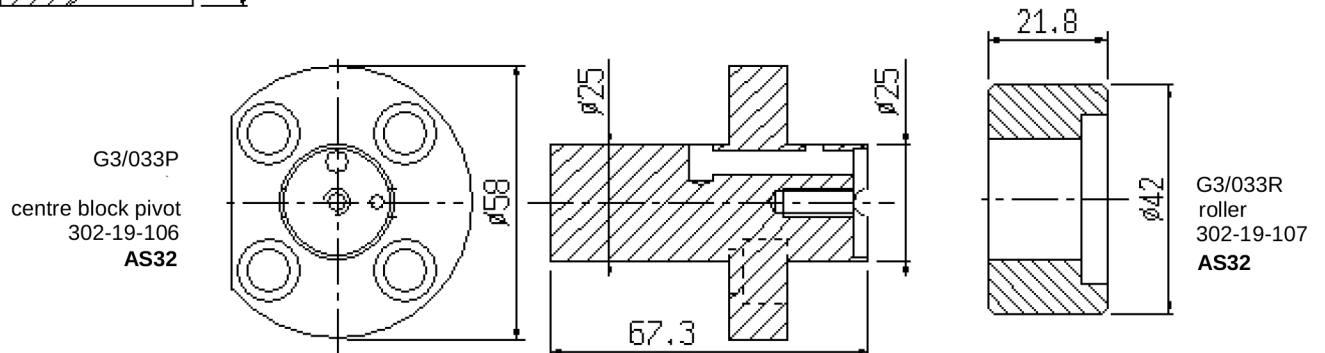
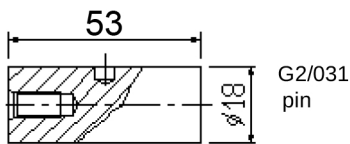
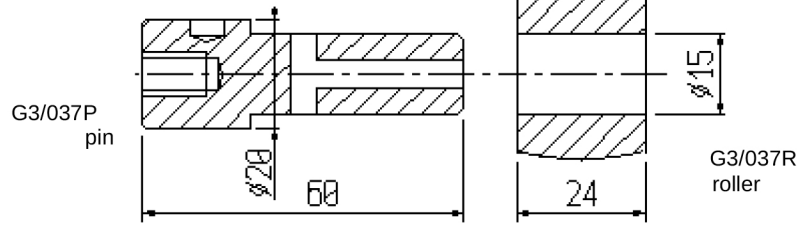
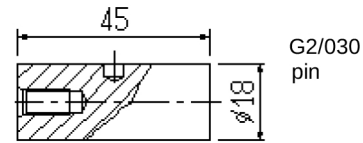
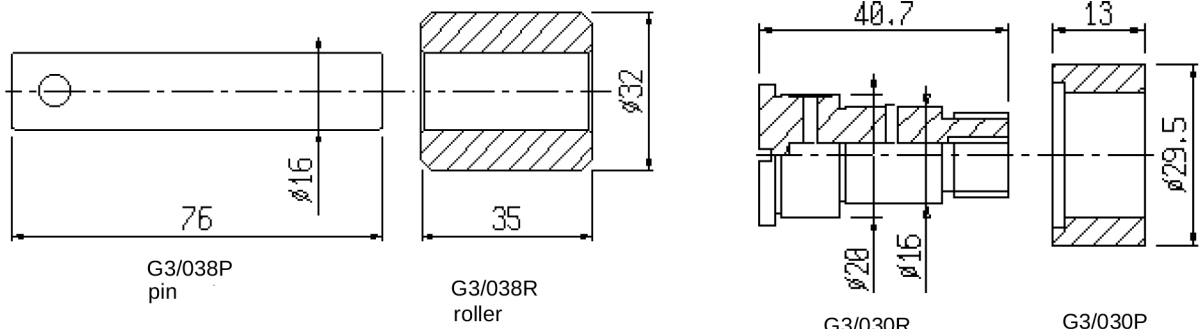
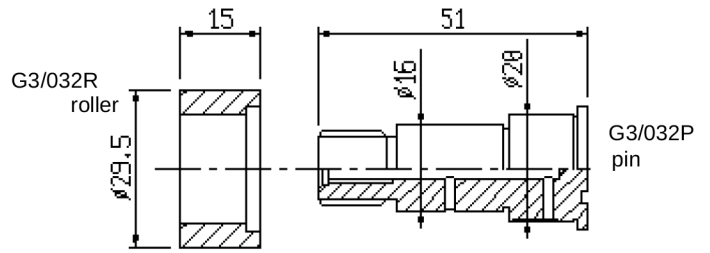
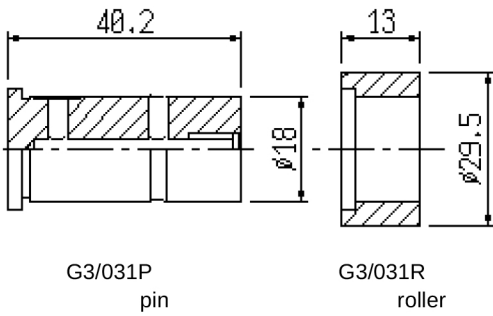


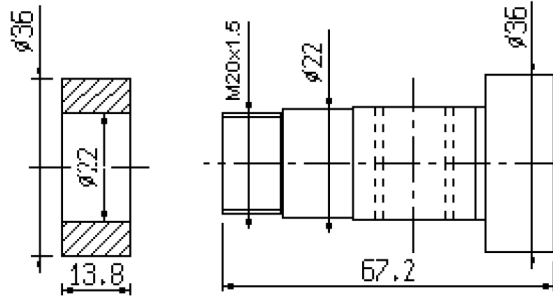
G4/037R
roller
303-05-2750

G4/037P
pin
303-05-2740



G3/053
Shaft
302-06-111/1



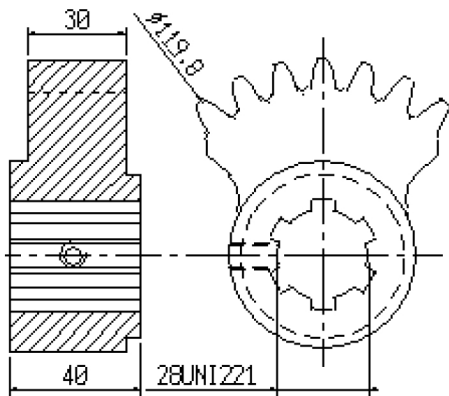


G5/039R
roller

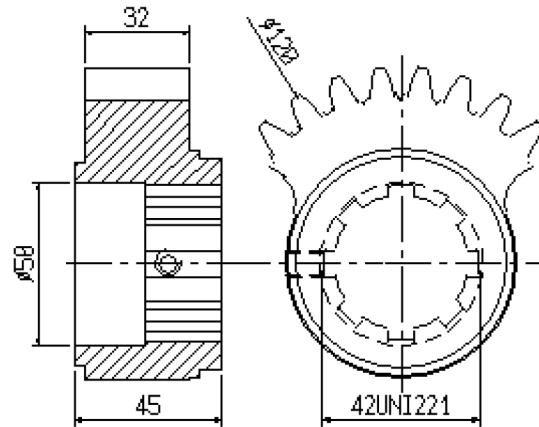
G5/039P
pin



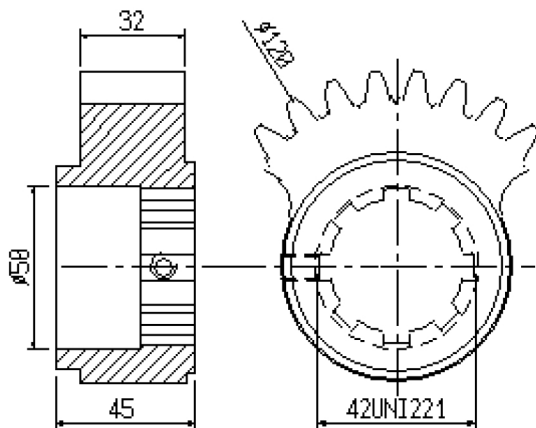
G5/039
303-08-1380/001



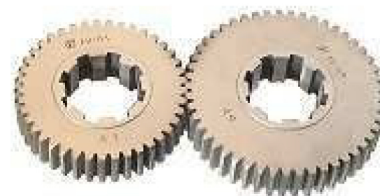
G3/020 pos. 3-4-5-6
sector gear
302-08-1230



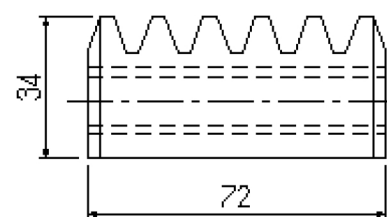
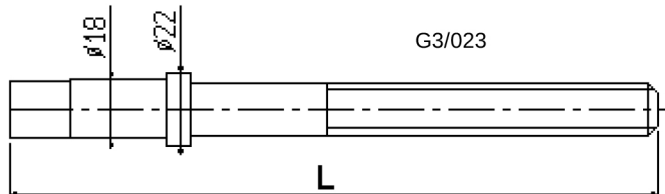
G3/021 pos. 1
sector gear
303-08-601



G3/024 pos. 2
sector gear
302-08-6040



Pairs of feed and speed gears



G3/022
gear
303-25-129