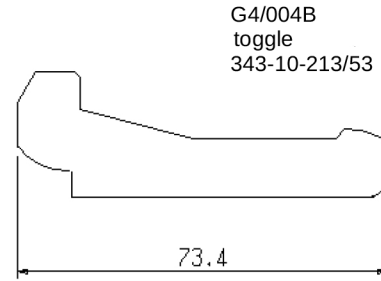
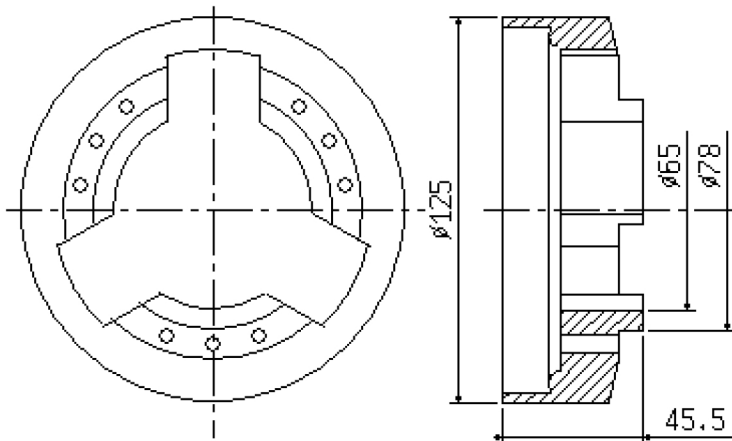


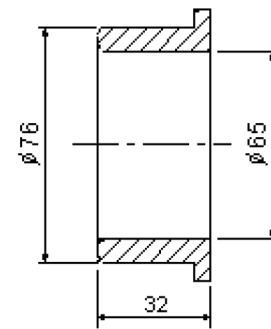
G4/002
sleeve
343-10-211/53



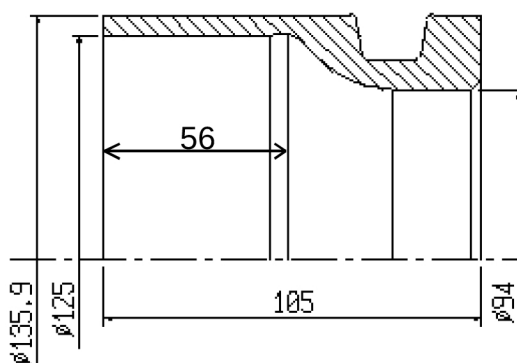
G4/004B
toggle
343-10-213/53



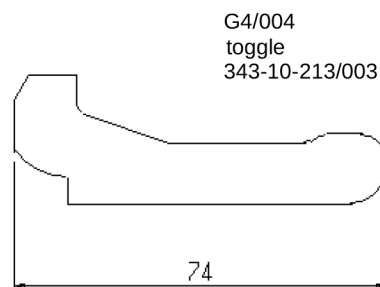
G4/011A
ring
343-10-2140



G4/007
ring
343-10-212/2



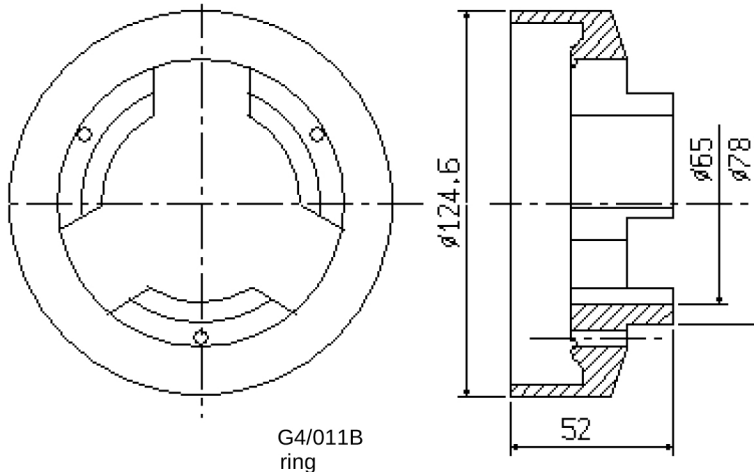
G4/002B
sleeve
343-10-211/003



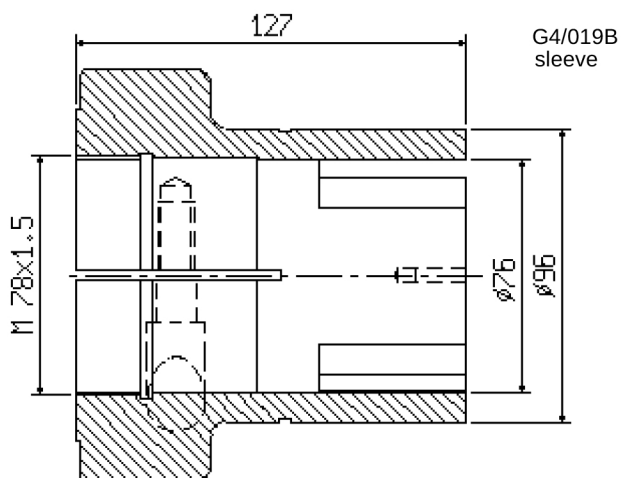
G4/004
toggle
343-10-213/003



G4/005
toggle
343-10-213/001



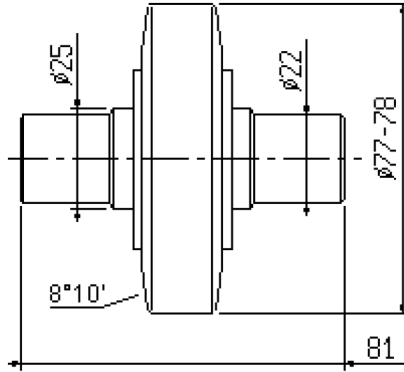
G4/011B
ring



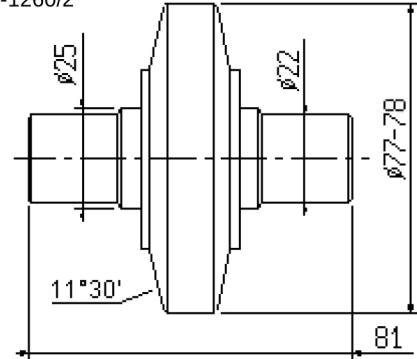
G4/019B
sleeve



G4/040A
roller



G4/040B
roller
343-09-1260/2



G4/013
nut
343-10-220/2

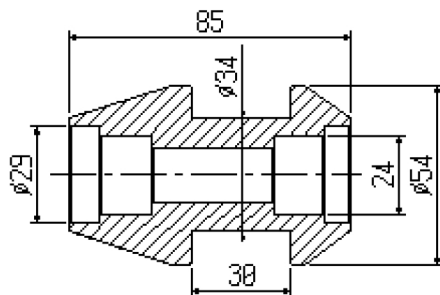
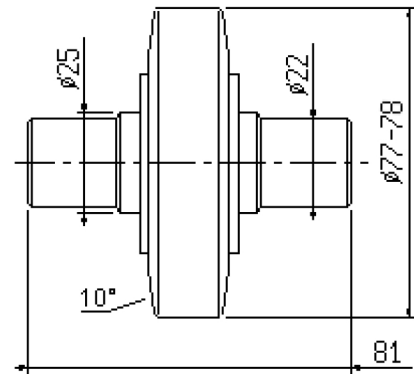


G3/014
nut
343-10-222/2

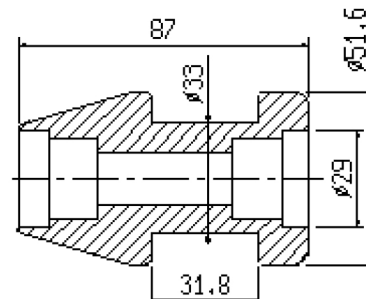


G4/090
spring
343-10-216

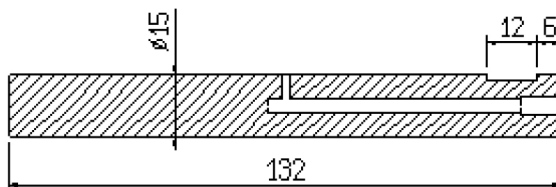
G4/040C
roller



G4/050
roller



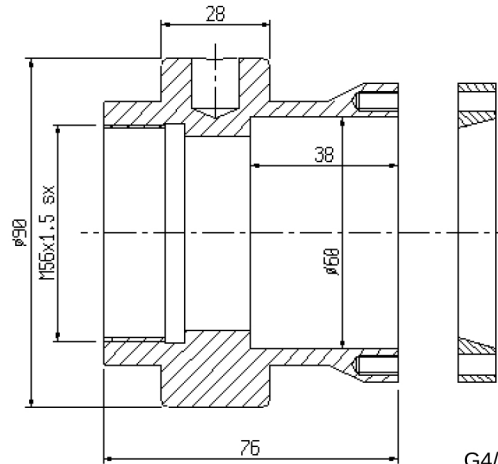
G3/050
roller
343-09-1370



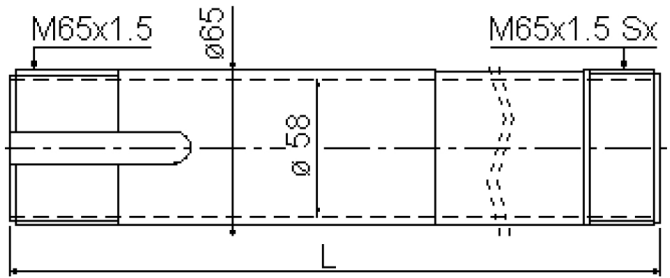
G3/052
pin



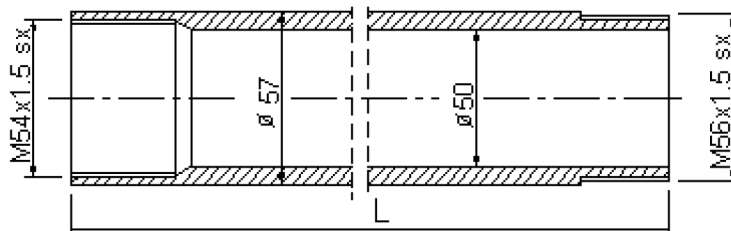
G4/009
nut



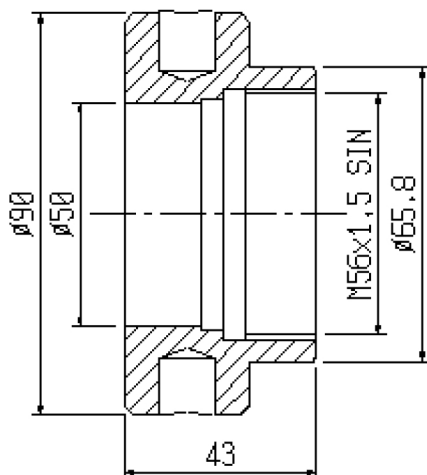
G4/016B
nut



G4/010
collet tube



G4/012
feed tube

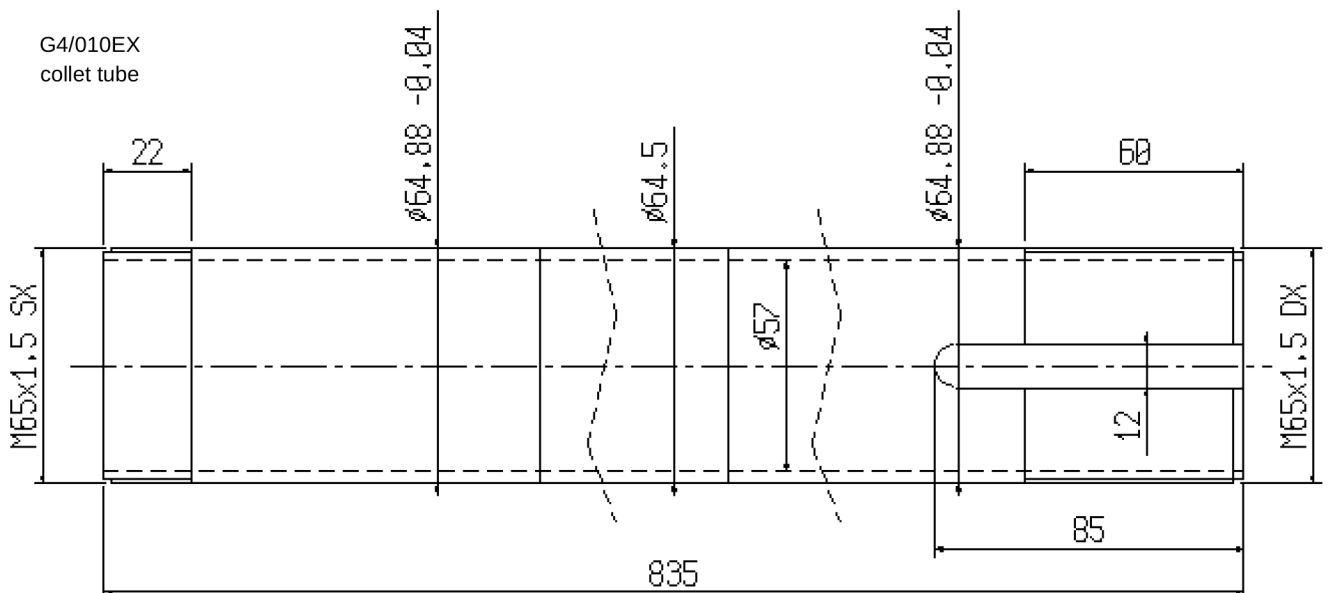
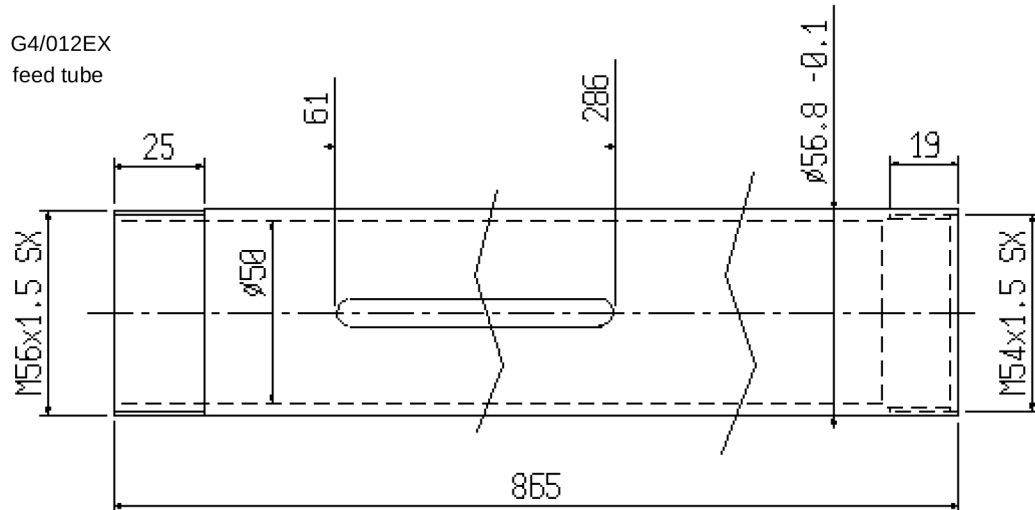


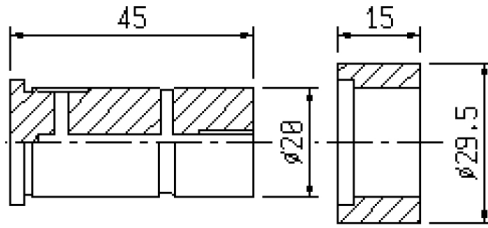
G4/016
nut



G4/008
bush

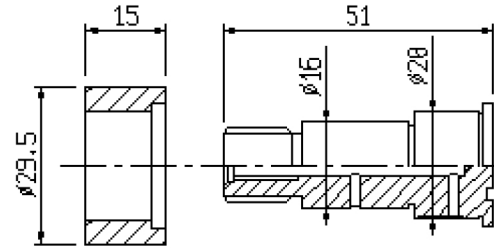
TO MACHINE EXAGONAL BARS





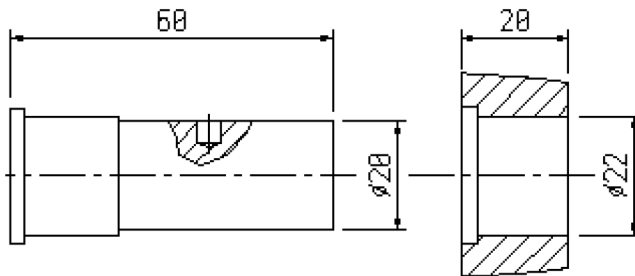
G4/031P
pin

G4/031R
roller



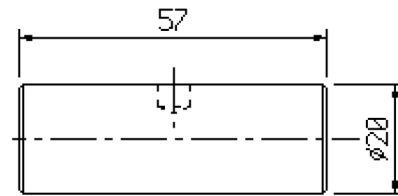
G3/032R
roller

G3/032P
pin

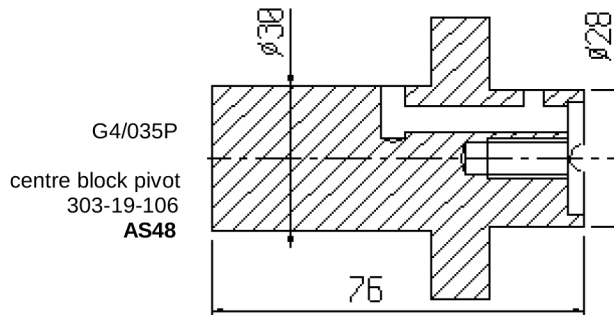


G4/033P
pin

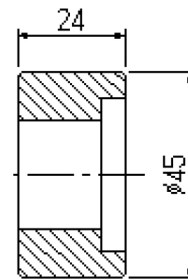
G4/033R
roller



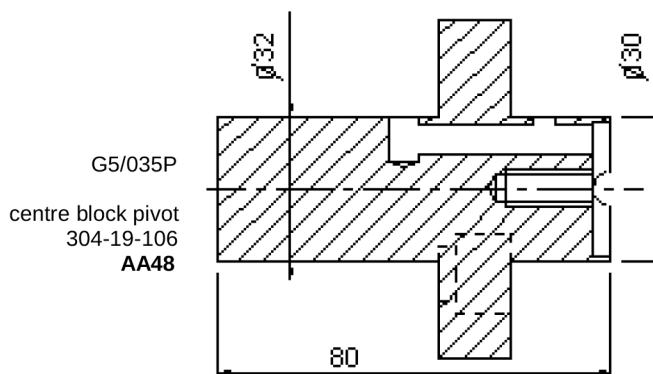
G4/032
pin



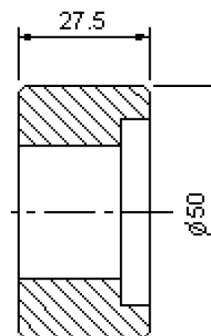
G4/035P
centre block pivot
303-19-106
AS48



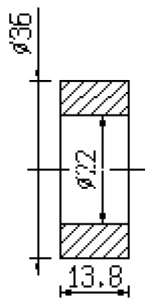
G4/035R
roller
303-19-107
AS48



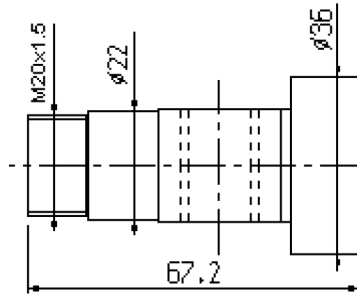
G5/035P
centre block pivot
304-19-106
AA48



G5/035R
roller
304-19-107
AA48



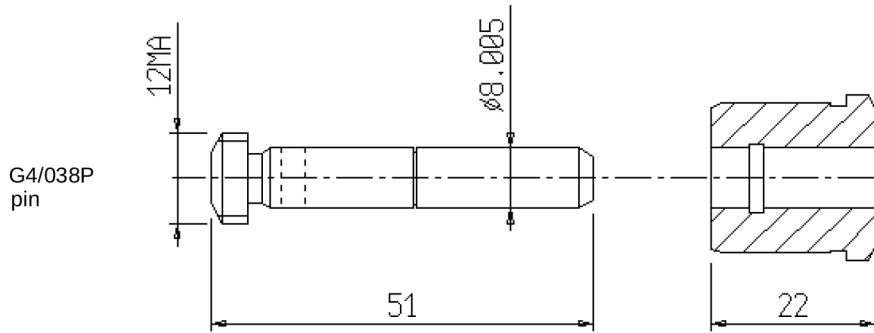
G5/039R
roller



G5/039P
pin

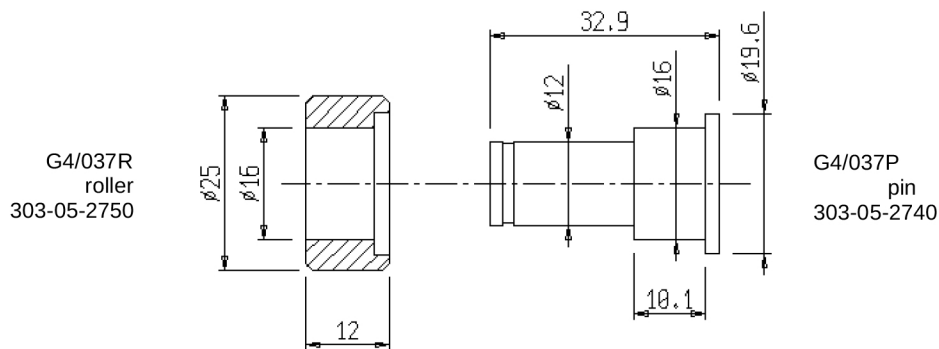


G5/039
303-08-1380/001



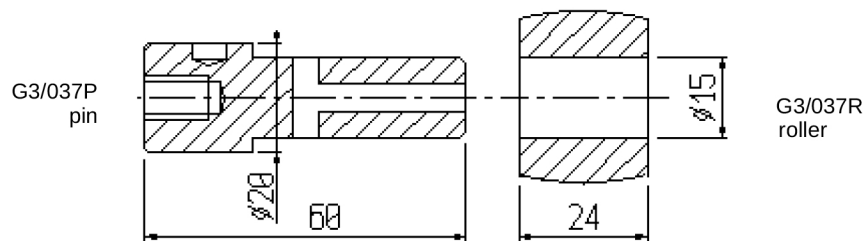
G4/038P
pin

G4/038R
bush



G4/037R
roller
303-05-2750

G4/037P
pin
303-05-2740

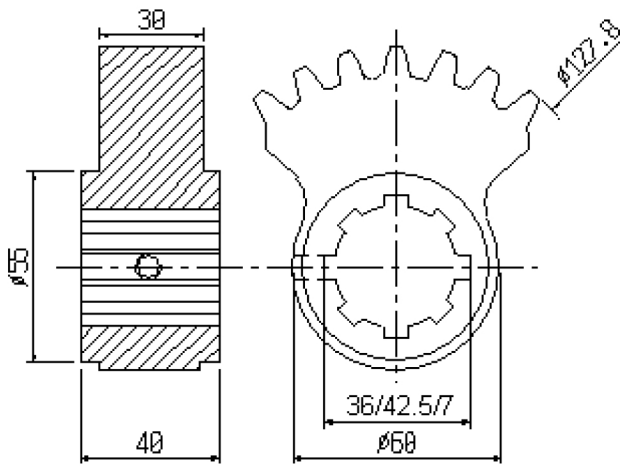


G3/037P
pin

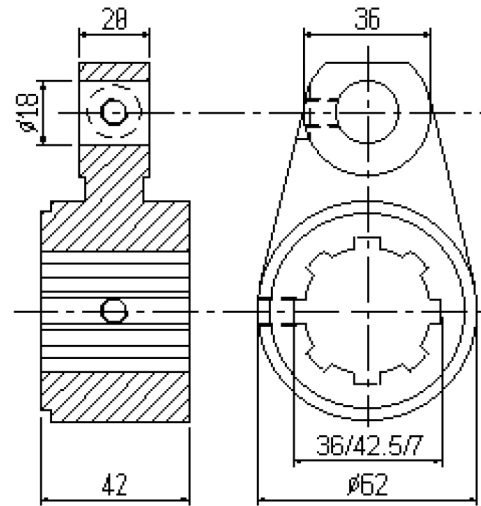
G3/037R
roller



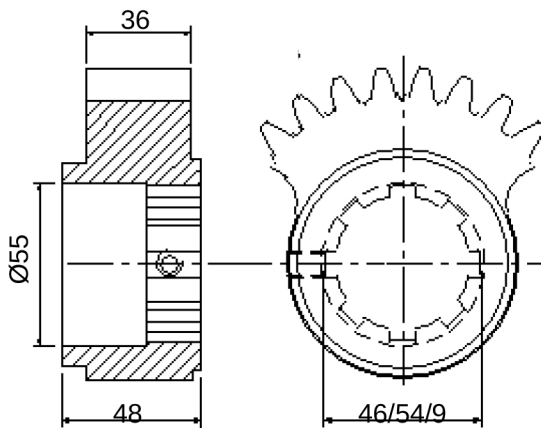
Pairs of feed and speed gears



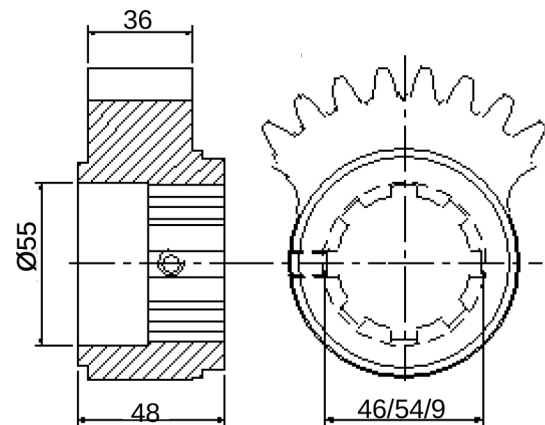
G4/020
sector gear
303-08-123



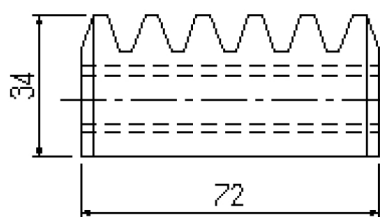
G4/025



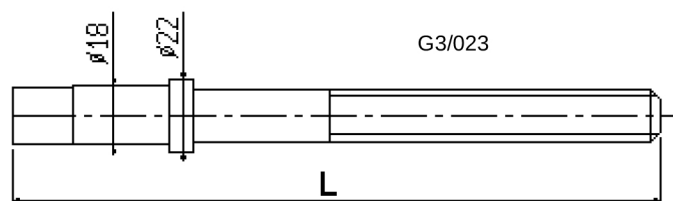
G5/021
sector gear
303-08-604



G5/020
sector gear
303-09-601



G3/022
gear
303-25-129



G3/023