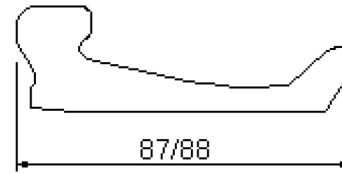
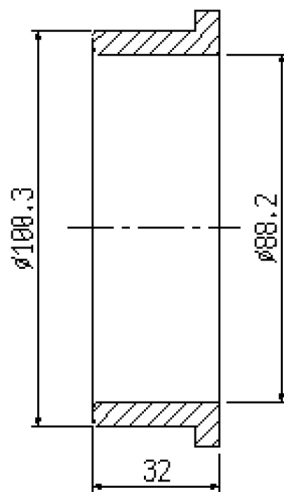


G5/001
sleeve

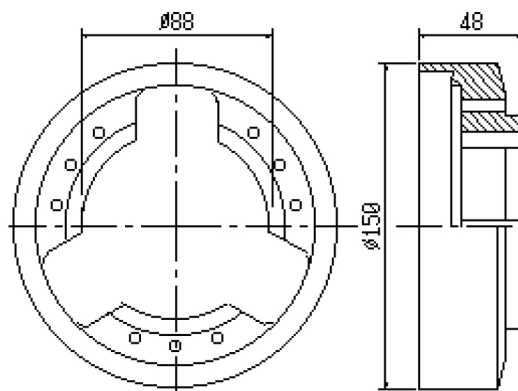


G5/005
toggle
355-10-213/001

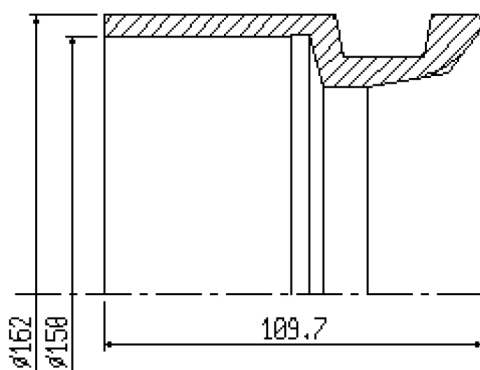
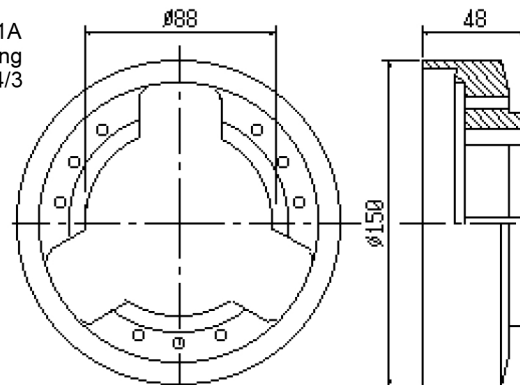
G5/007
ring



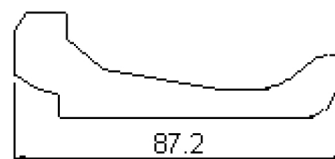
G5/011B
ring
355-10-214-1



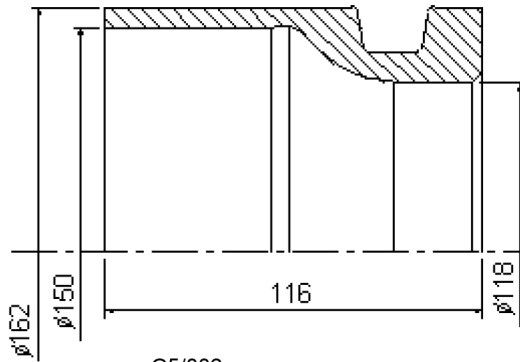
G5/011A
ring
355-10-214/3



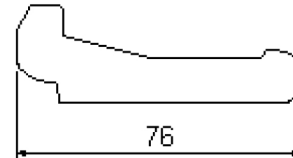
G5/001
sleeve
355-10-211



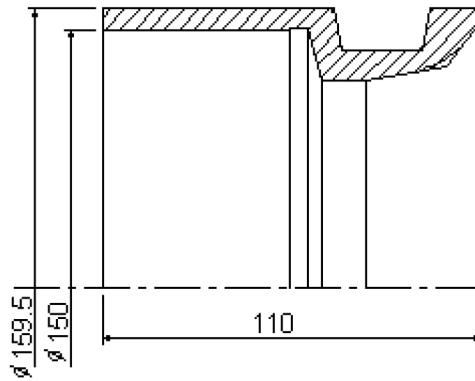
G5/003
toggle
355-10-213/2



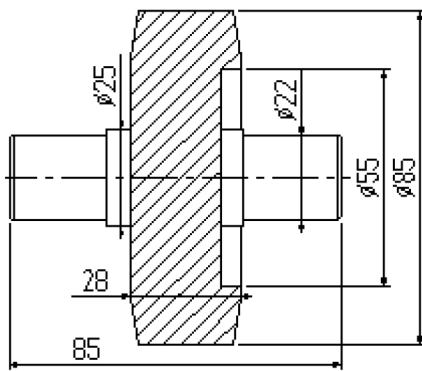
G5/002
sleeve
355-10-2110/051



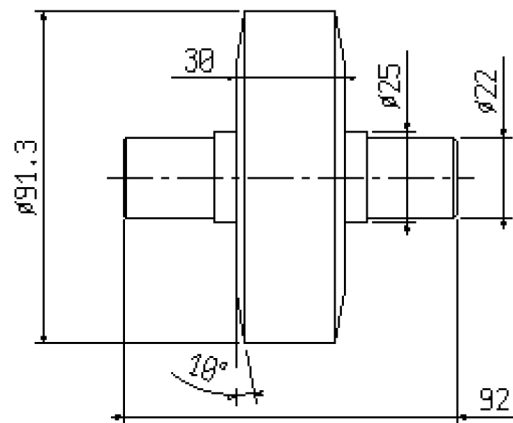
G5/004
toggle
355-10-2130/051



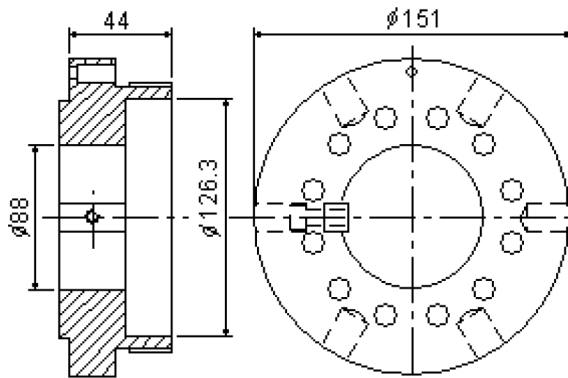
G5/001B
sleeve



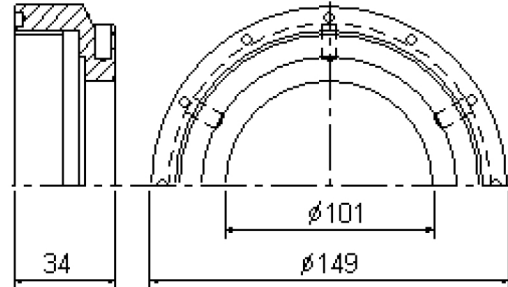
G5/040
roller



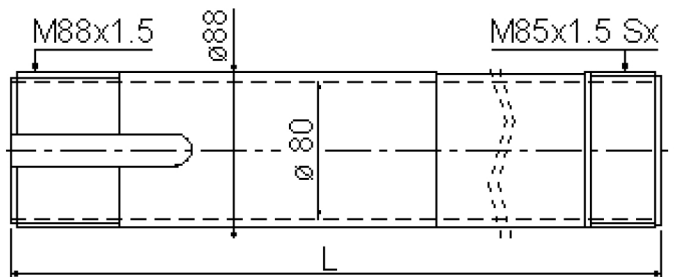
G5/040B
roller



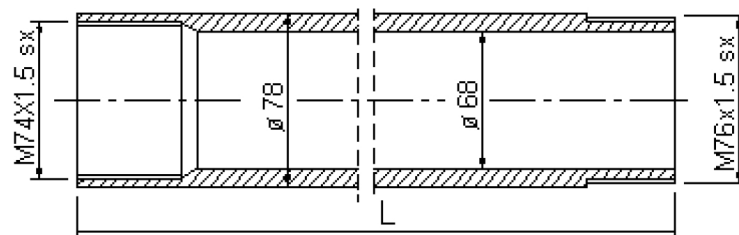
G5/013
nut
355-10-220/2



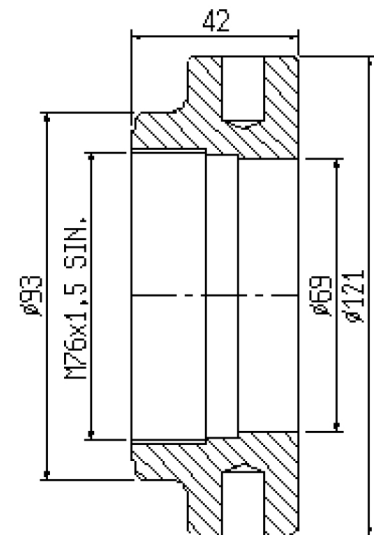
G5/014
nut
344-10-224/2



G5/010
collet tube



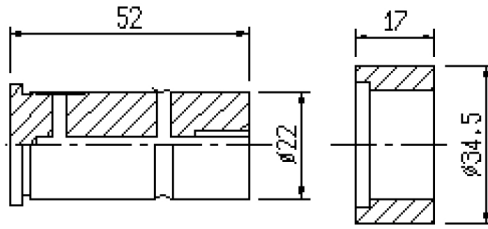
G5/012
feed tube



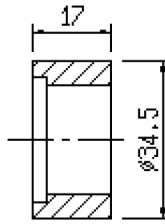
G5/015
nut



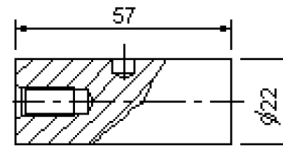
Pairs of feed and speed gears



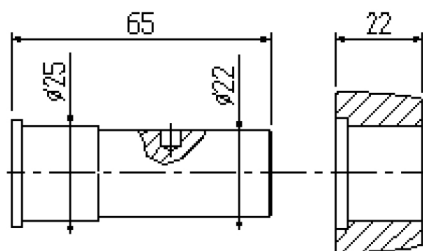
G5/031P
pin
304-08-141/1



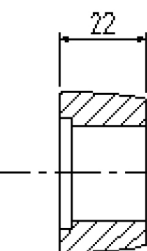
G5/031R
roller
304-08-142/1



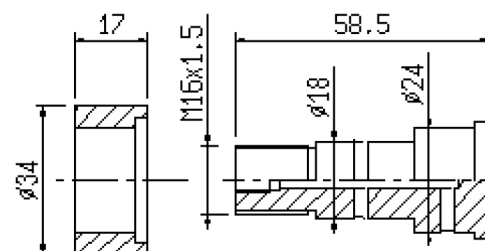
G5/034
pin



G5/033P
pin
304-09-140

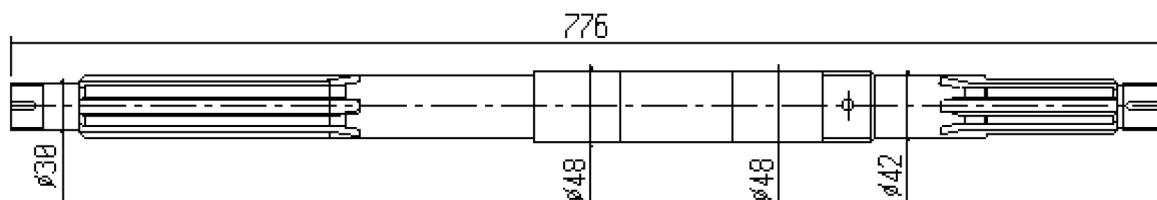


G5/033R
roller
304-09-141

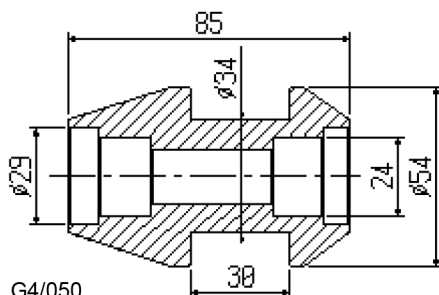


G5/030R
roller

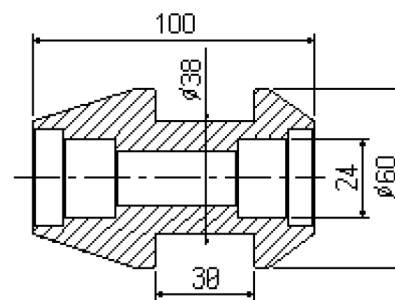
G5/030P
pin



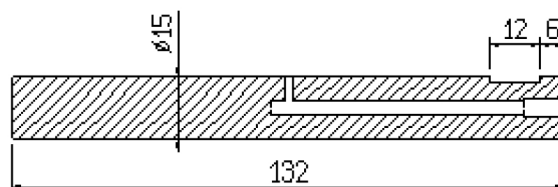
G5/050
shaft
344-08-206-1



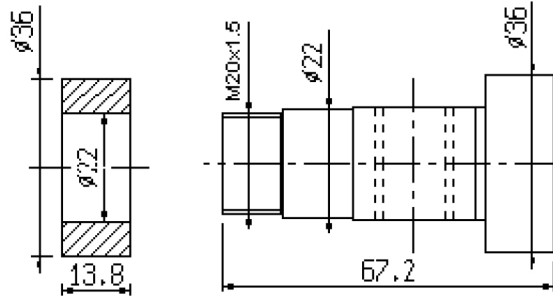
G4/050
roller



G5/051
roller



G3/052
pin

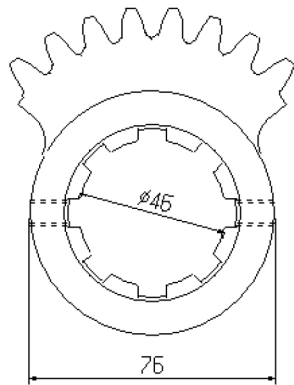
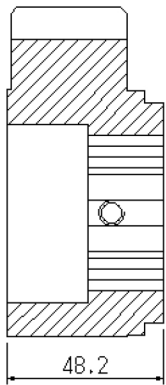


G5/039R
roller

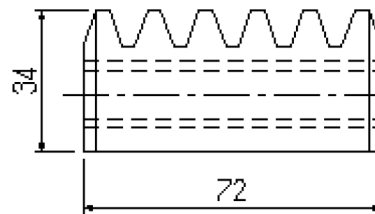
G5/039P
pin



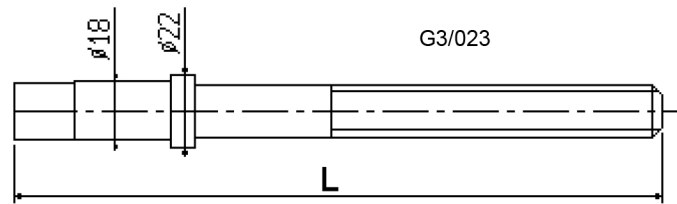
G5/039
303-08-1380/001



G5/020
sector gear

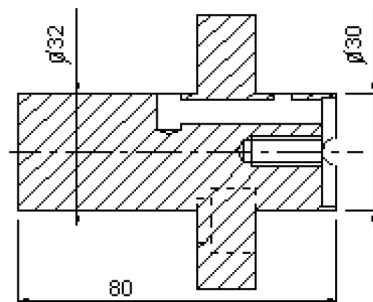


G3/022
linear gear
303-25-129

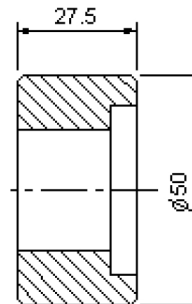


G3/023

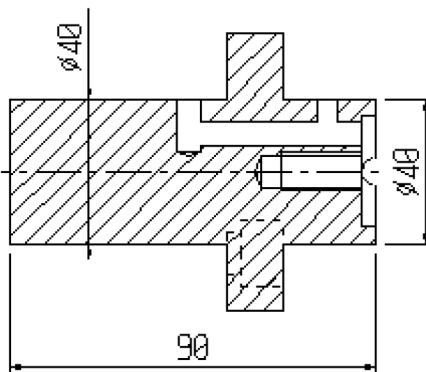
G5/035P
centre block pivot
AS67



G5/035R
roller
AS67



G9/035P
centre block pivot
AA67



G9/035R
roller
AA67

