

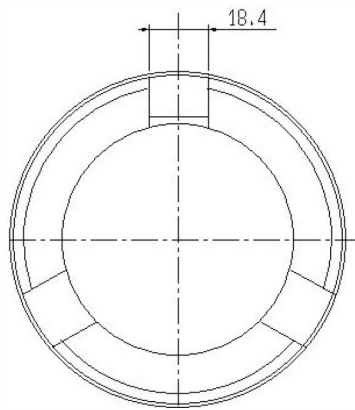
S18/001
sleeve
C3210C-55Z



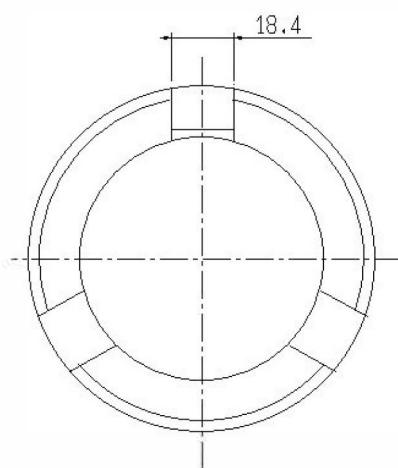
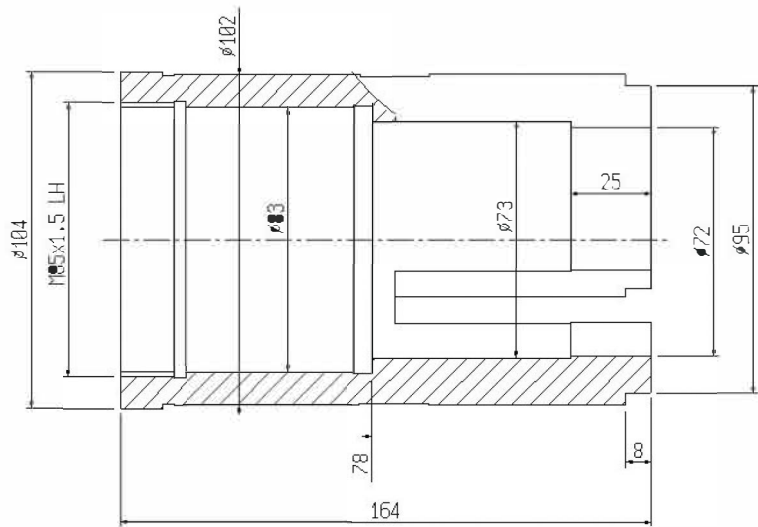
S8/003
toggle
C3220B-45Z



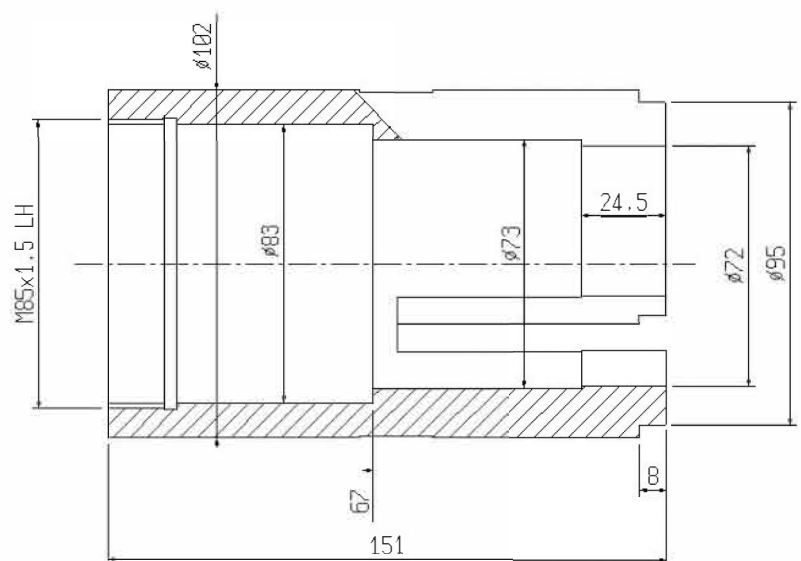
S13/004
toggle
C3220A-44SZ

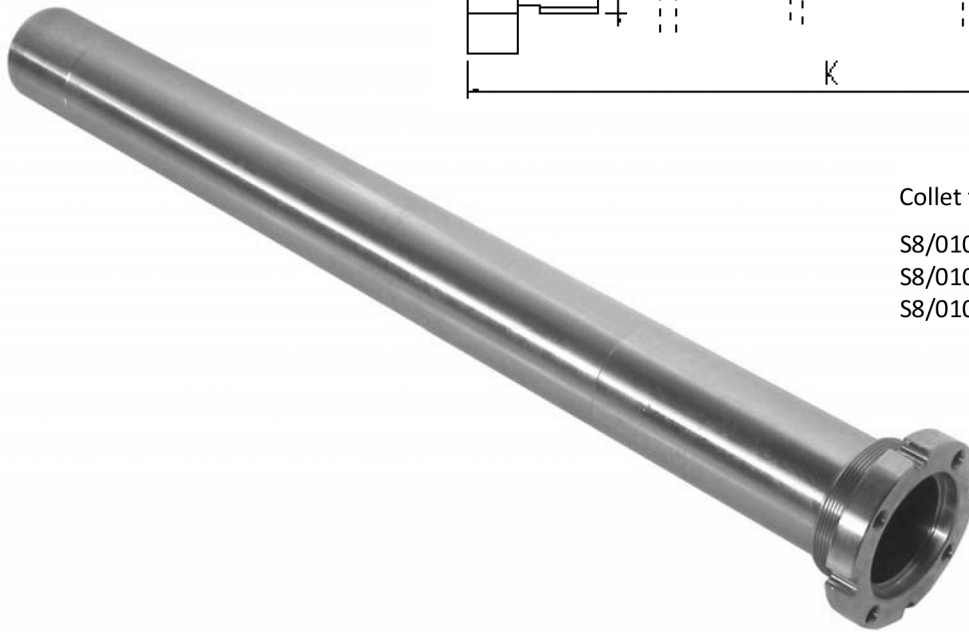
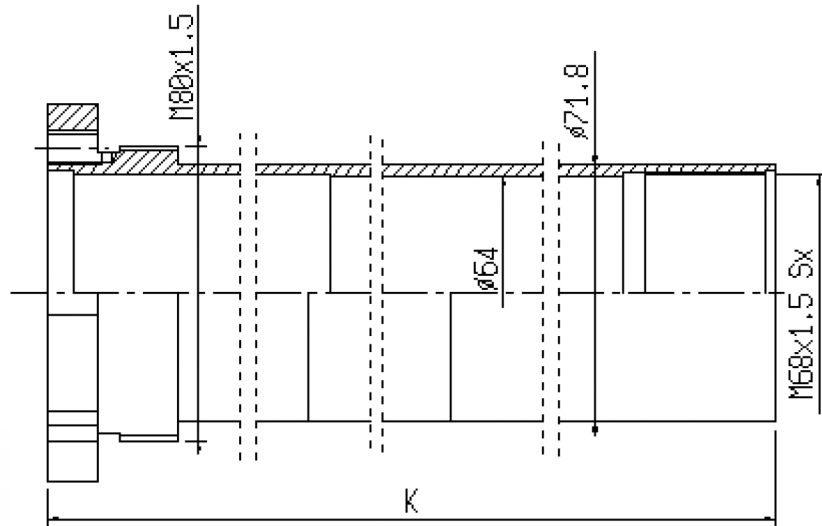


S18/019D83
Sleeve holder
C3200-55Z
SF51



S18/019C
Sleeve holder
C3200A-55Z
PC51





Collet tube

S8/010B K = 614 mm C3070E-55Z
 S8/010C K = 944 mm C3170B-55Z
 S8/010D K = 1086 mm



Feed tube

S8/012B K = 613 mm D3080A-55Z
 S8/012C K = 613 mm C3080A-55Z

Shown in the picture
 S8/012B K = 613 mm D3080A-55Z