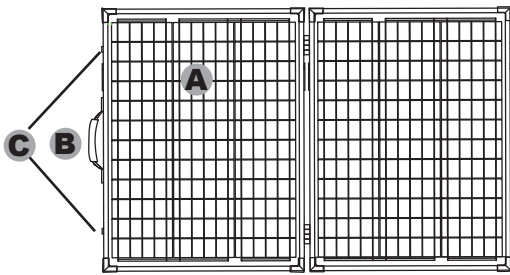
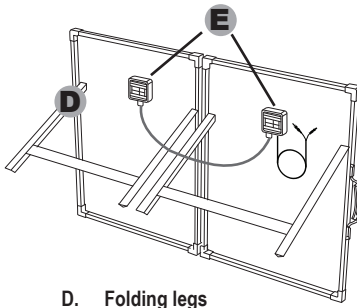


DURACELL[®] 100 Watt / 200 Watt Portable Solar Panel User Guide

Product Details



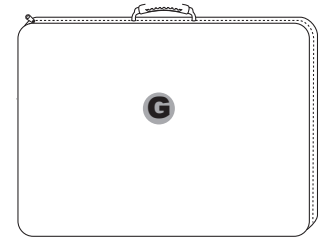
- A. Portable solar panel
- B. Carry handle
- C. Latches



- D. Folding legs
- E. Weatherproof MC4 connectors



- F. 2 foot / 0.6 meter MC4 to Anderson cable (connects to your gasless generator)



- G. Zippered carry case

Getting Started

! BEFORE YOU START: See "Safety Information" section for important precautions. The user should conform to all safety precautions in the guide when using solar panels. Before using a solar photovoltaic system (including cable, power station or other electric equipment), the user should be familiar with the mechanical and electrical requirements for photovoltaic systems. Keep this guide in a safe place for future reference.

Operation and Use

The Duracell Portable Solar Panel converts solar energy to DC current for charging gasless generators that run popular household items and electronics. The solar panel connects directly to your Duracell Gasless Generator for simple, plug-and-play ease of use (also connects to additional rechargeable products that use an MC4 and/or Anderson cable connection for recharging the internal battery).

! NOTE: The steps below show the basic sequence to charge your gasless generator. You may also keep your Duracell Portable Solar Panel connected to your gasless generator while the generator is being used to charge and operate your household items. Solar input power will offset the discharge power.

1

1 Open the two latches.

2

2 Unfold the solar panel.

3

3 Unfold the legs.

4

4 Position solar panel for maximum sun exposure.

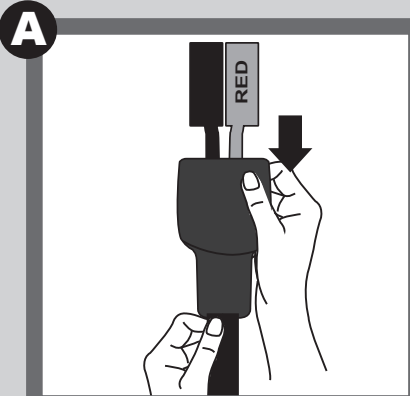
5

5 Examine the solar controller on your gasless generator.

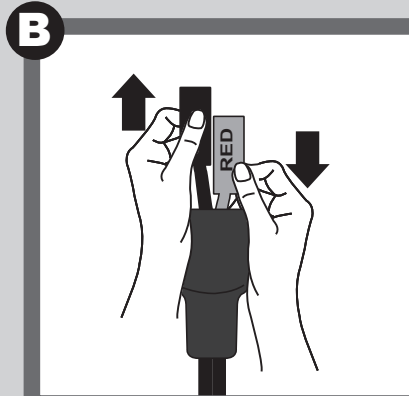
✓ **READY TO CONNECT:**
Skip to Step 6 (Final Steps) on next page.

! **ACTION REQUIRED:**
See Steps A-E (Configuring The Panel's Anderson Cable) on next page.

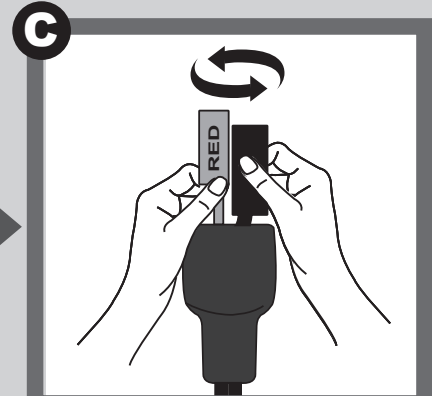
Getting Started, continued: Configuring The Panel's Anderson cable



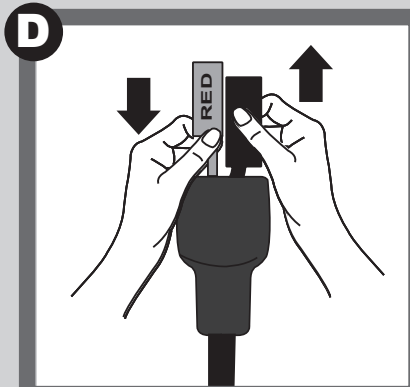
A Slide the cover back on the cord to expose the (red and black) terminals.



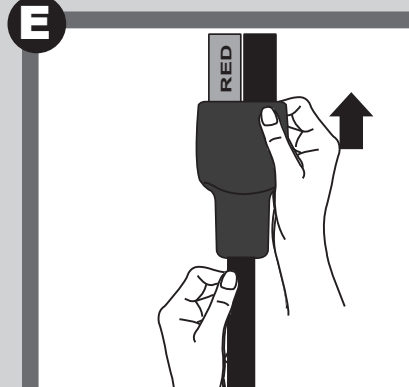
B Pull downwards on the red terminal and upwards on the black terminal to separate them.



C Switch the position of the terminals so that the red terminal is on the left-hand side.



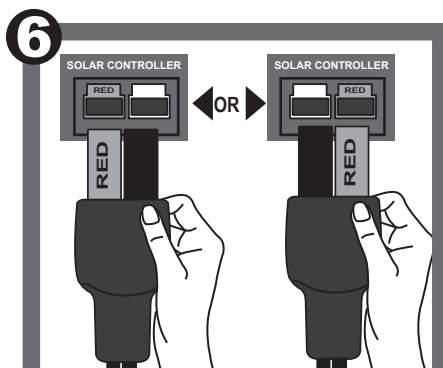
D Pull upwards on the black terminal and downwards on the red terminal to re-attach them.



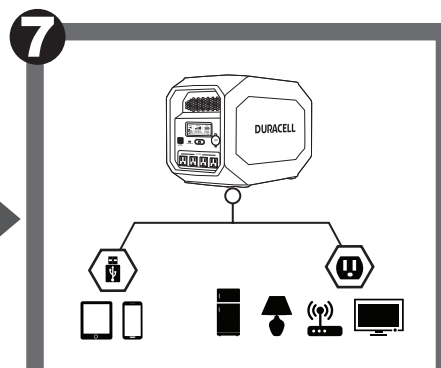
E Slide the cord cover upward again to cover the terminals. You are now ready to connect to your solar generator.

 **READY TO CONNECT:**
Move on to Step 6 (*Final Steps*) shown directly below.


Getting Started, continued: Final Steps



6 Connect the solar panel to your gasless generator.



7 Power household items from your charged gasless generator.

 **NEED MORE POWER?**
You can connect additional solar panels (sold separately) to increase the wattage and/or voltage for more charging capability.
Please see **Connecting Additional Solar Panels** on next page.

Connecting Additional Solar Panels

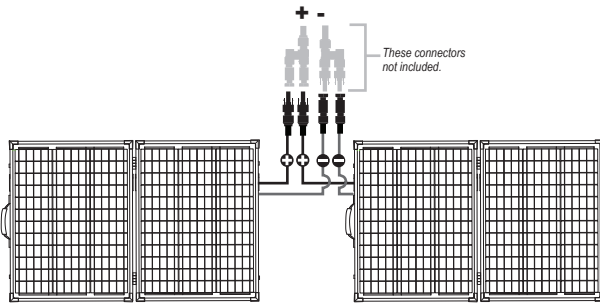
Two or more solar panels (additional panels sold separately) can be chained together using the MC4 connectors to increase the wattage (parallel connection) or to increase the charge voltage (series connection). You may need additional connectors to complete the connection.

⚠ IMPORTANT: CHECK VOLTAGE/POWER RATINGS

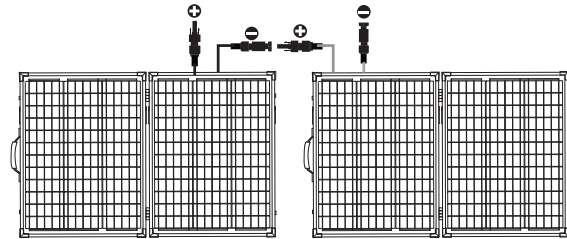
Please check the voltage and power ratings of the solar controller to determine the most efficient connection method (shown below). Please call our customer service number at (800) 300-1857 for support or questions.

⚠ WARNING: RISK OF INJURY

Panel interconnection cables pass direct current (DC) and are sources of voltage when the panel is under load and when it is exposed to light. Direct current can arc across gaps and may cause injury or death if improper connection or disconnection is made; or if contact is made with module leads that are frayed or torn. Do not connect or disconnect modules when a current source is energizing the conductors. Modules may contain high voltage when interconnected with other modules.



Parallel connection:
Current increases,
voltage remains the same



Series connection:
Current remains the same,
voltage increases

Safety Information

This section contains important safety information. Before using the product, READ ALL instructions and cautionary markings on or provided with the product, and all appropriate sections of this guide. The product contains no user-serviceable parts. SAVE THESE INSTRUCTIONS.

⚠ WARNING: NO USER SERVICEABLE PARTS

There are no user-serviceable parts within the module. Do not attempt to repair any part of the module.

⚠ WARNING: RISK OF INJURY

- Permanent installation should be performed only by qualified personnel.
- There is a risk of electric shock if the front glass is broken, the backing is torn, junction box is broken or wires are frayed.
- Do not deploy or handle the panels when they are wet or during periods of high winds.
- Do not allow water to pool in or near panel frames.

⚠ WARNING: DAMAGE TO PRODUCT

- Do not stand on, drop, scratch, or allow objects to fall on panels as doing so may damage the panels and void the warranty.
- Do not place anything on the modules, even for a moment, because resulting residue may damage or stain the glass surface.
- Unconnected connectors must always be protected from dust, humidity or foreign particles.

Product Specifications

100 Watt Portable Solar Panel

200 Watt Portable Solar Panel

	100 Watt Portable Solar Panel	200 Watt Portable Solar Panel
Max Peak Power (Pmax [W])	100 Watts	200 Watts
Maximum Power Point Voltage (Vmp [V])	18.4V	18.6V
Maximum Power Point Current (Imp [A])	5.43A	10.8A
Open Circuit Voltage (Voc [V])	22.6V	22.8V
Short Circuit Current (Isc [A])	5.72A	11.2A
Maximum System Voltage (Vmax)	1000VDC	1000VDC
Normal Operating Cell Temperature (NOCT)	45±2° C	45±2° C
Temperature Range (°C)	-40°C~±80°C	-40°C~±85°C
Power Tolerance	±5%	±5%
Application Class	Class A	Class A
MC4 cable length	9.8 ft / 3 meters	9.8 ft / 3 meters
MC4-to-Anderson cable length	2 ft / 0.6 meter	2 ft / 0.6 meter
Net Weight kg / (lbs)	10.5 kg / (23.15 lbs)	16.4kg / (36.2 lbs)
Dimensions (unfolded) mm/in	1082 x 683 x 33 mm / 42.6 x 26.8 x 1.3 in	1402 x 928 x 33 mm / 55.2 x 36.5 x 1.3 in
Dimensions (folded) mm/in	683 x 560 x 67 mm / 26.8 x 22.0 x 2.6 in	928 x 720 x 67 mm / 36.5 x 28.3 x 2.6 in

Maintenance

In order to keep your Duracell Portable Solar Panel operating efficiently, periodically clean and maintain your panel using the simple steps below. Keeping the panels clean allows optimal sun exposure for efficient charging of your gasless generator.

⚠ WARNING: DAMAGE TO SOLAR PANEL

Do not clean the panel when the surface is hot to avoid cracking the glass surface. Do not use a pressure washer to clean the panel. Failure to observe these warnings may result in damage to the panel and void your warranty.

- Clean the surface of the solar panel when necessary. Always use a soft sponge or cloth for cleaning. A mild, non-abrasive cleaning detergent may be used to remove stubborn dirt.
- Clean your solar panel more frequently during drier months, as it may become covered in dust more quickly.
- Regularly inspect and clean your panel more frequently if the panel is left outdoors in dusty, windy or dirty conditions.
- Periodically inspect additional components such as folding support legs, frames, cables, and closures for dirt, grit, oil and other contaminants; clean as needed.

Support and Warranty

Contacting Customer Support

If you experience any problems or have any questions regarding your Duracell product, free technical support is available. Call from a phone where you have access to your Duracell product.

Be prepared to provide the following information:

- Name, address and telephone number
- Name of the Duracell® product
- Make and model of any items or devices that you are using with the Duracell product
- Symptoms of the problem(s) and what led to them

Technical Support is available by telephone:

U.S. and Canada (800) 300-1857

Outside of the US/Canada: (805) 437-7765

Written inquires should be directed to: Battery-Biz Inc.;

Duracell Product Inquiry

1380 Flynn Road, Camarillo, CA 93012, USA

Recycling Information

Battery-Biz is committed to environmental responsibility and recommends that electronic devices be disposed of properly. Please contact your local city offices for information on recycling and disposal programs for e-waste.

For instructions on how to recycle this product visit <http://www.call2recycle.org>.

Three Year Warranty Limited Warranty

The Duracell product carries a limited warranty against defects in material and workmanship under normal use and service for three years from the original date of purchase. The manufacturer or distributor, at its option, shall repair or replace the defective unit covered by this warranty. Please retain the dated sales receipt as evidence of the date of purchase as it will be required for any warranty service. In order to keep the warranty in effect, the product must have been handled and used as described in the instructions accompanying this warranty. This warranty does not cover any damage due to accident, misuse, abuse or negligence.

Disclaimer Of Warranty

The limited warranty described herein is your sole remedy. To the extent permitted by law, the manufacturer and distributor disclaim all other implied or express warranties including all warranties of merchantability and/or fitness for any particular purpose.

Limitation Of Liability

Except to the extent of repairing or replacing this product as expressly stated in the limited warranty described herein, the manufacturer and distributor shall not be liable for any damages, whether direct, indirect, incidental, special, consequential, exemplary, or otherwise, including lost revenues, lost profits, loss of use of software, loss or recovery of data, rental of replacement equipment, downtime, damage to property, and third-party claims, arising out of any theory of recovery, including statutory, contract or tort. Notwithstanding the term of any limited or implied warranty, or in the event that any limited warranty fails of its essential purpose, in no event will the manufacturer's and distributors entire liability exceed the purchase price of this product. Some states and provinces do not allow the exclusion or limitation of incidental or consequential damages so the above limitations or exclusions may not apply to you. This limited warranty gives you specific legal rights. You may have other rights which vary from state to state and province to province.

Product Registration

For complete warranty coverage, please register your Duracell product within fourteen days of purchase.

Visit DuracellPower.com/Register

or scan the QR code below to register.



Additional Language Manuals

Manuales en idiomas adicionales • Manuels dans d'autres langues

Spanish and French language user manuals are available at Duracellpower.com

Los manuales de usuario en español están disponibles en Duracellpower.com

Les manuels d'utilisation en français sont disponibles sur Duracellpower.com