

GWS - Dialog Global Web Server



Project Name: \_\_\_\_\_  
 Part Numbers: \_\_\_\_\_ Date: \_\_\_\_\_

**Features**

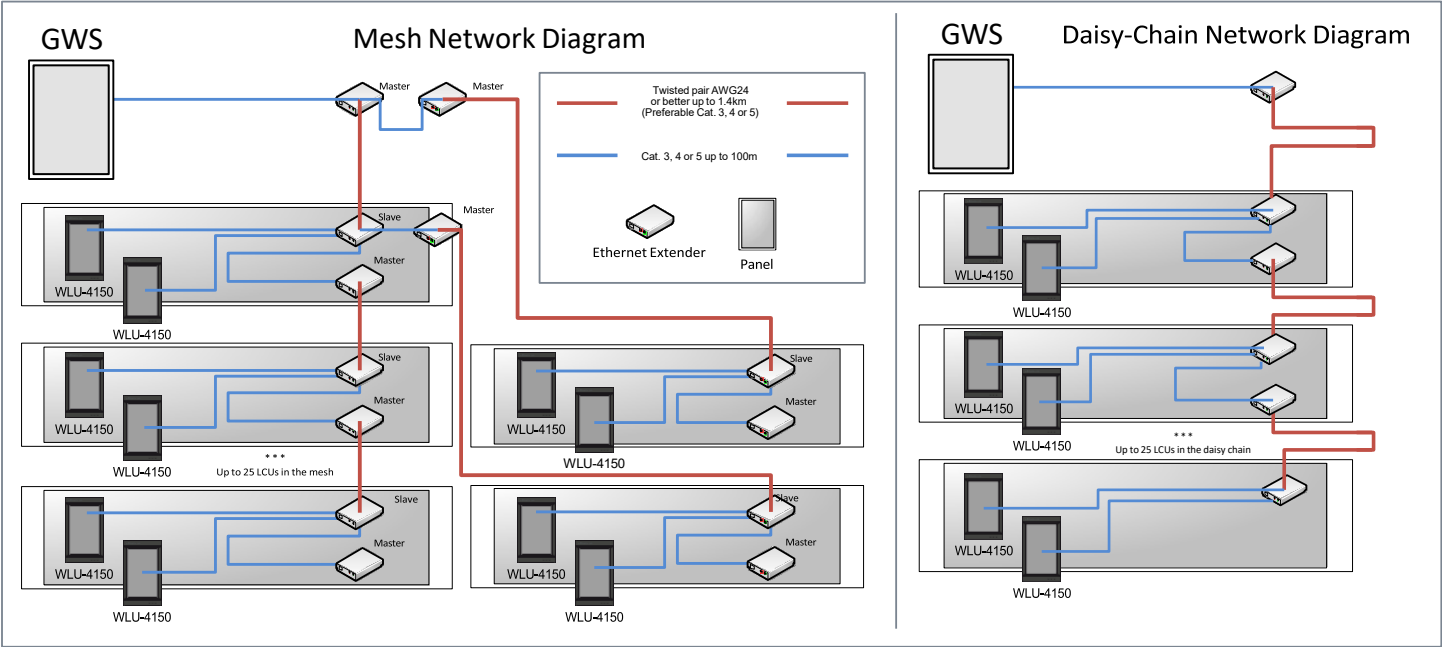
- Provides connectivity of WLC-4150 Lighting Control Unit to Ethernet
- Unifies multiple LCUs to a single interface
- Uses browser interface (Internet Explorer 9, 10, 11)
- Can be connected to a buildings Intranet
- Option to host Douglas Lighting Controls Graphics Package
- Complete system installed in metal enclosure

The Global Web Server (GWS) is an important part of the Dialog lighting control system by allowing for multiple lighting control units (LCU) in a centralized controls system. When a lighting control system requires greater than 252 relay or 252 dimming channels, the Global Web Server expands the capabilities of the system. The Global Web Server consists of a metal enclosure which houses all of the internal components. The Global Web Server has the ability to not only provide the lighting control system with extended capabilities, but can also host an optional web accessible graphics control package.

The optional graphics package allows users to access system features using a customized graphical user interface. Customizations can include logos/color schemes, custom button layouts and building customized floor plans. When the graphics package is included, a building's floor plans will be imported into the server to provide real-time lighting zone status. In addition to the status of each lighting zone, the user has the ability to modify the state of each lighting zone.

**Typical Applications:** Stadiums, Large Office Buildings, University/College Campuses, projects requiring a graphical web interface

PART NUMBER	DESCRIPTION
GWS-Basic	Includes server, connectivity devices, 16-port hub. Installed in metal enclosure with cover
GWS-Graphics	Includes server, connectivity devices, 16-port hub, graphics package. Installed in metal enclosure with cover

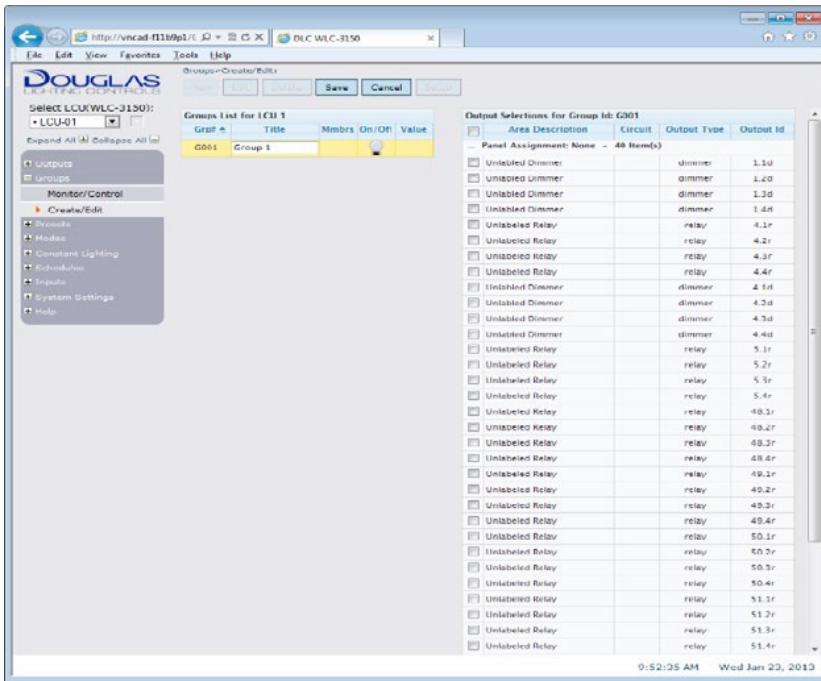


\*Patent Pending

Rev 8/24/2022

Douglas Lighting Controls

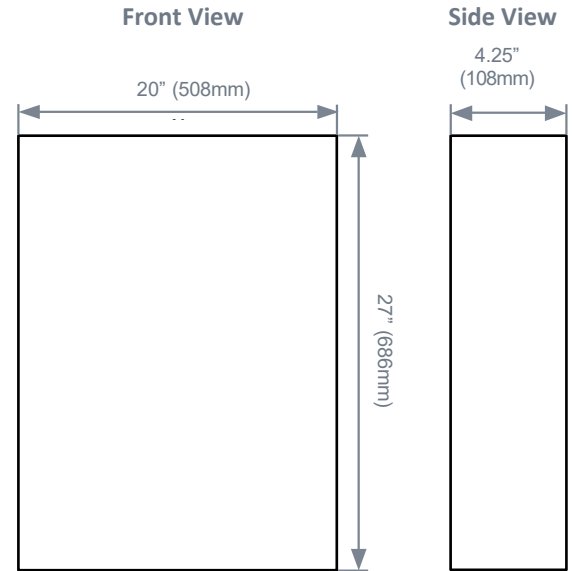
## Interface



## Dimensions

Inches [mm]

GWS mounted in a standard PWE3 tub with sheet cover. Steel coated with heat fused polyester epoxy ANSI/ASA, 61 Grey finish. Sheet Metal Cover Screwed to Tub.



## Technical Details

<b>POWER</b>	<ul style="list-style-type: none"> <li>120VAC, 60Hz, 1.8A</li> </ul>
<b>COMMUNICATION</b>	<ul style="list-style-type: none"> <li>1000Base-T, 1Gb/s Ethernet</li> <li>Cat 5 or Cat 6 cable</li> </ul>
<b>INTERFACE</b>	<ul style="list-style-type: none"> <li>Web browser interface</li> <li>Internet Explorer 9, 10, 11</li> <li>Router: Cisco SF-110D-16-NA</li> <li>Ethernet Extender: Versatek VXVEB160G4</li> </ul>
<b>ENCLOSURE</b>	<ul style="list-style-type: none"> <li>Steel coated with heat fused polyester epoxy ANSI-ASA, 61 grey finish</li> </ul>
<b>ENVIRONMENT</b>	<ul style="list-style-type: none"> <li>Indoors, stationary, non-vibrating, non-corrosive atmosphere &amp; non-condensing humidity</li> <li>Ambient operating temperature: +32°F to +122°F (0°C to +50°C)</li> </ul>
<b>WARRANTY</b>	<ul style="list-style-type: none"> <li>Standard 5-years</li> </ul>