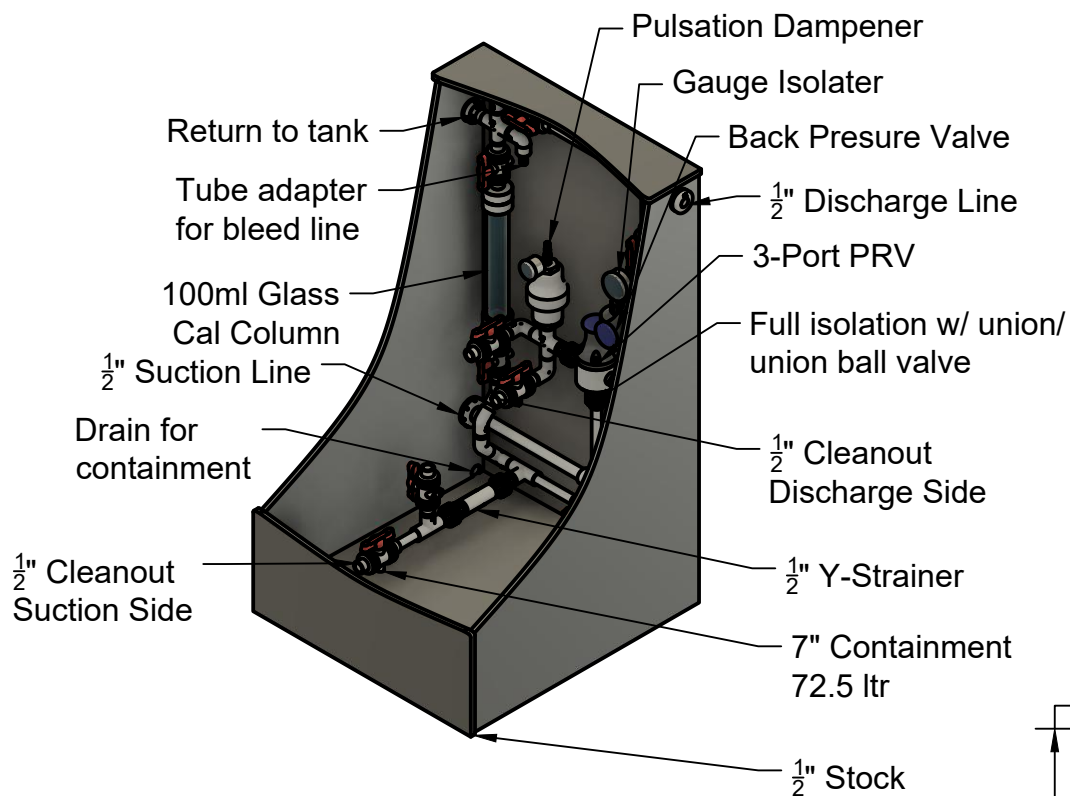
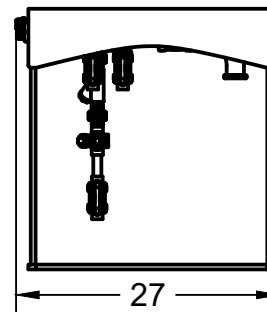




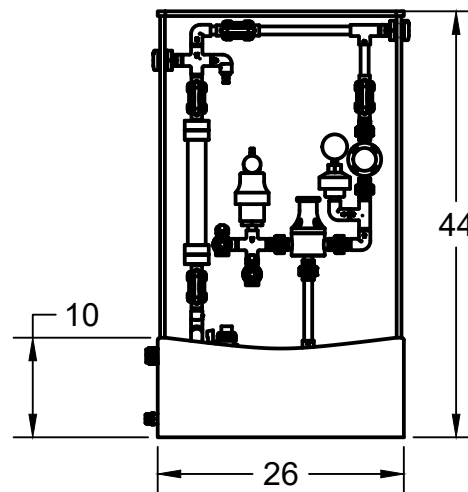
NE Isometric



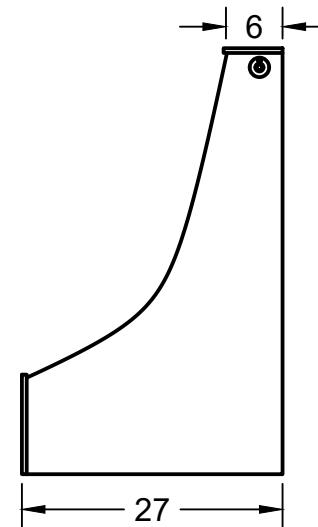
Top



Front



Right Side



PROJECT

Generic Pipe Schematic

TITLE

1/2in Simplex Layout

APPROVED

CHECKED

DRAWN

Adam Craig

9/12/2018

SIZE

A

CODE

DWG NO

SCALE 1:16

WEIGHT

SHEET 1/1

REV

