



PRESS RELEASE

18th August 2023

Here is a new development for the JSCC pocket rockets.

This front clip has been designed with repair ability in mind developed by JSCC and renowned BTCC chassis builders Custom Cages, the clip will allow speedy and cost-effective repair of the cars replacing the need to straighten and jig front chassis leg damage, the clip has a crush section so it can even be repaired back at custom cages, the design allows all existing parts to be bolted on in the original places, all this helps keep repair cost down.

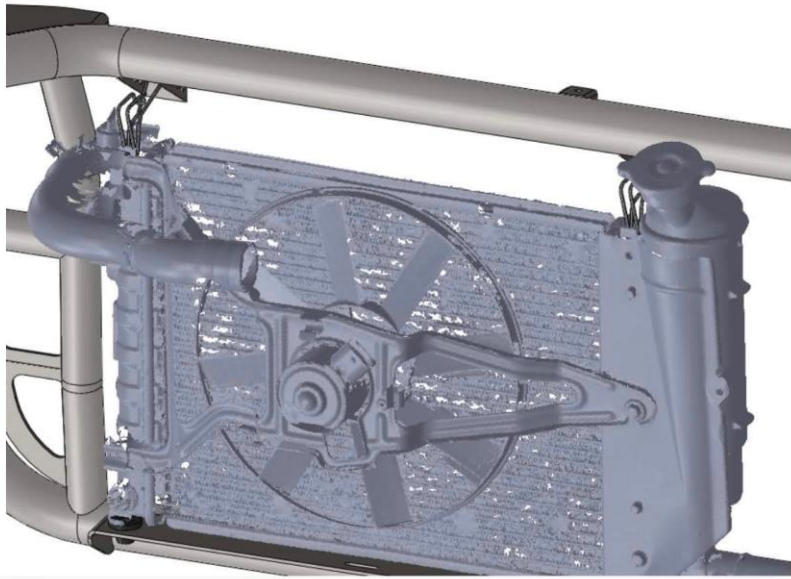
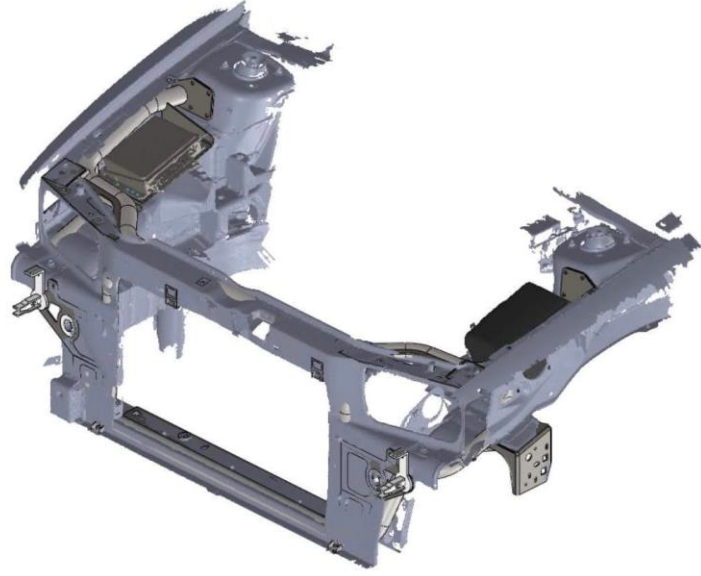
For further details contact

David Beecroft

Junior Saloon Car Championship Director



JUNIOR SALOON CAR CHAMPIONSHIP



JSCC JUNIOR SALOON CAR CHAMPIONSHIP

