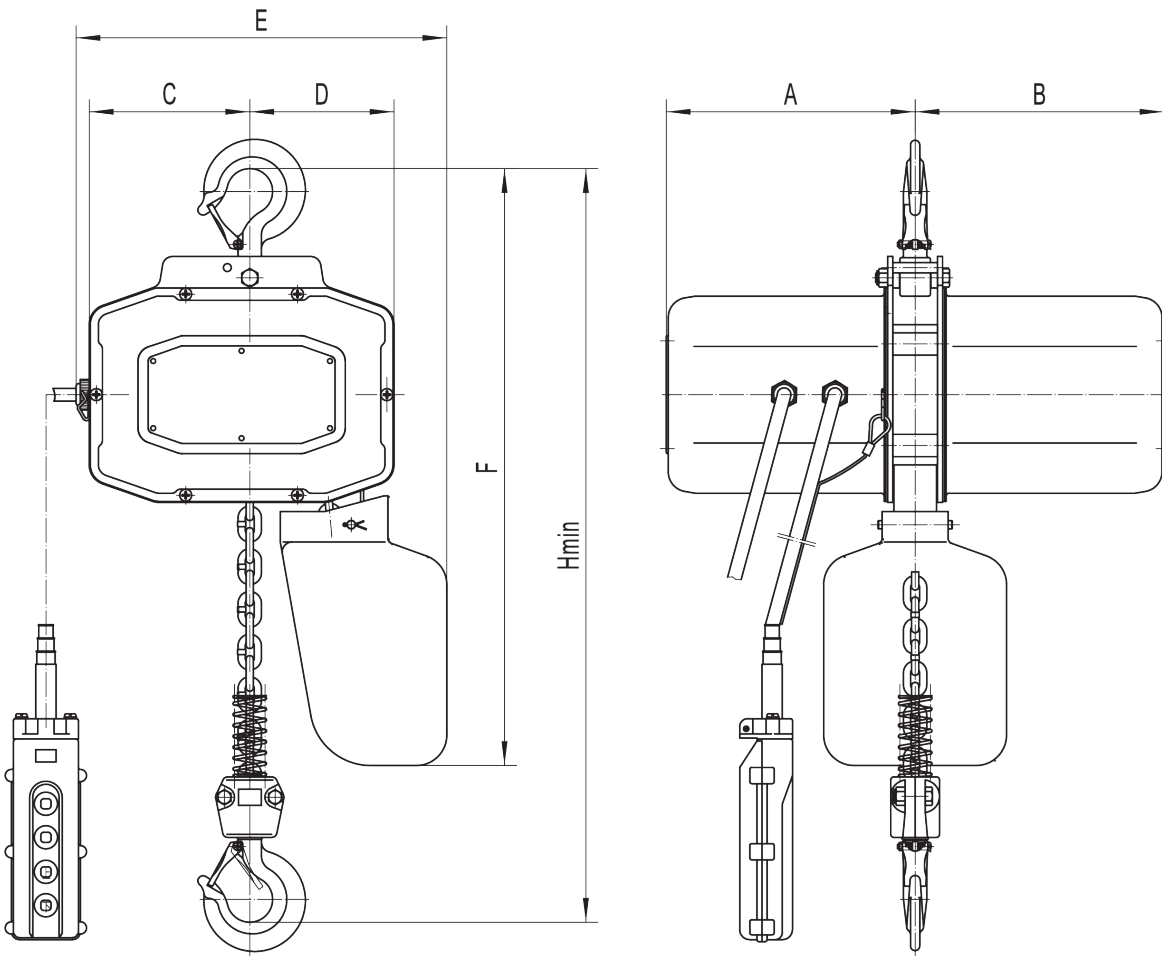


STRONGEST, SAFEST, and MOST RELIABLE hoists in the world.

ELECTRIC HOIST

3
YEAR*
WARRANTY



Every ALR Hoist meets or exceeds OSHA and ANSI / ASME HST-3 Standards

ELECTRIC HOIST