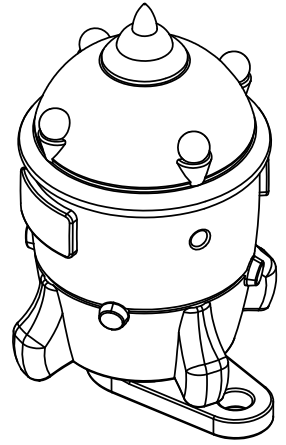


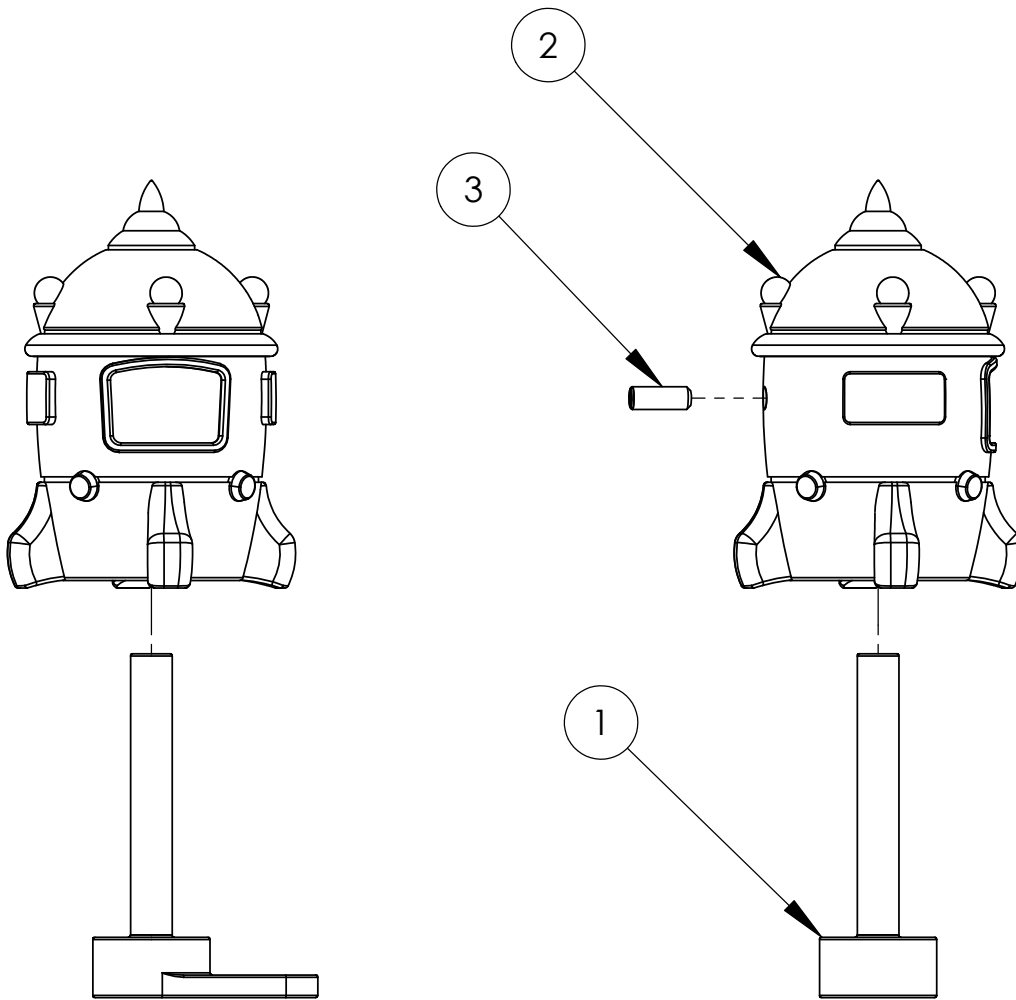
# FF - Rocket Bot Mod

by Swinks Pinball



## Notes:

- 1 - Secure the mount post down to your preferred location.
- 2 - Lower the Rocket over the post and let it rest on the bottom (but you can lift up to about 10mm off the base) and secure the grub screw with the supplied 1.5mm Allen Key Wrench.
3. Do NOT overtighten the grub screw - just lightly nip up.



ITEM NO.	PART NUMBER	DESCRIPTION	QTY.
1	Rocket Bot Base r2	MJF Nylon	1
2	Rocket Bot Body r2	MJF Nylon	1
3	Grub Screw - 3mm x 8mm Allen Headed - SS	Stainless Steel	1