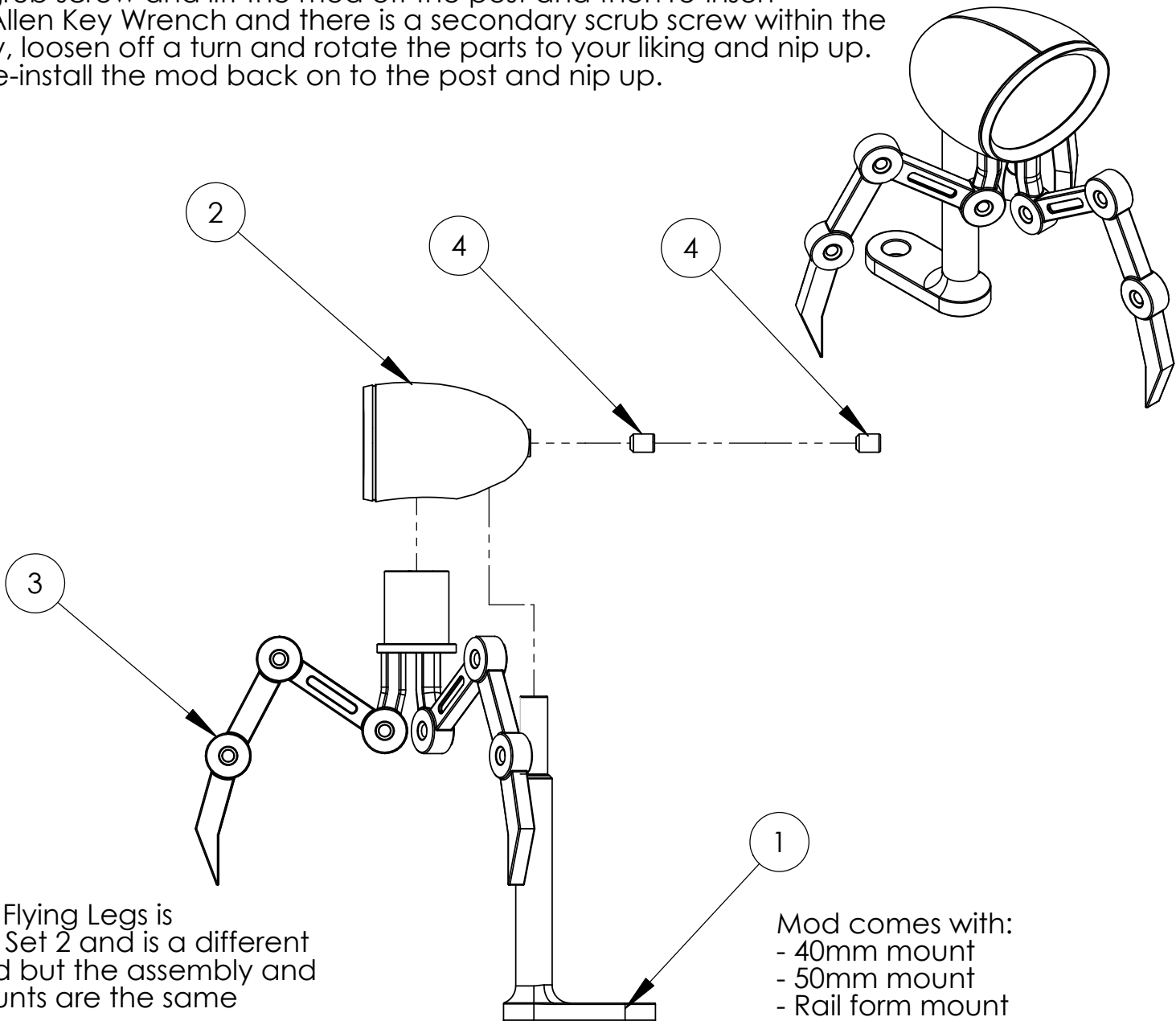


# FF - Tri-Bot Standing / Flying Mod

by Swinks Pinball

## Notes:

- 1 - Secure the mount post down to your preferred location (the mod actually comes with 3 different posts - 2 different heights and a wireform mount).
- 2 - Lower the mod to the installed post and pivot to your liking.
- 3 - Nip up the grub screw with the supplied 1.5mm Allen Key Wrench.
- 4 - Do NOT overtighten the grub screw - just lightly nip up.
- 5 - If you want to rotate the head / legs a little - remove the first grub screw and lift the mod off the post and then re-insert the Allen Key Wrench and there is a secondary scrub screw within the body, loosen off a turn and rotate the parts to your liking and nip up.
- 6 - Re-install the mod back on to the post and nip up.



The Flying Legs is Leg Set 2 and is a different mod but the assembly and mounts are the same

Mod comes with:  
 - 40mm mount  
 - 50mm mount  
 - Rail form mount

ITEM NO.	PART NUMBER	DESCRIPTION	QTY.
1	FOO - Tri-Bot r4 Base Mount Vertical 40	Black SLS Nylon	1
2	FOO - Tri-Bot r4 Body	MJF Nylon	1
3	FOO Tri-Bot r4 Leg Set 1	MJF Nylon	1
4	Grub Screw - 3mm x 4mm Allen Headed - SS	Stainless Steel	2