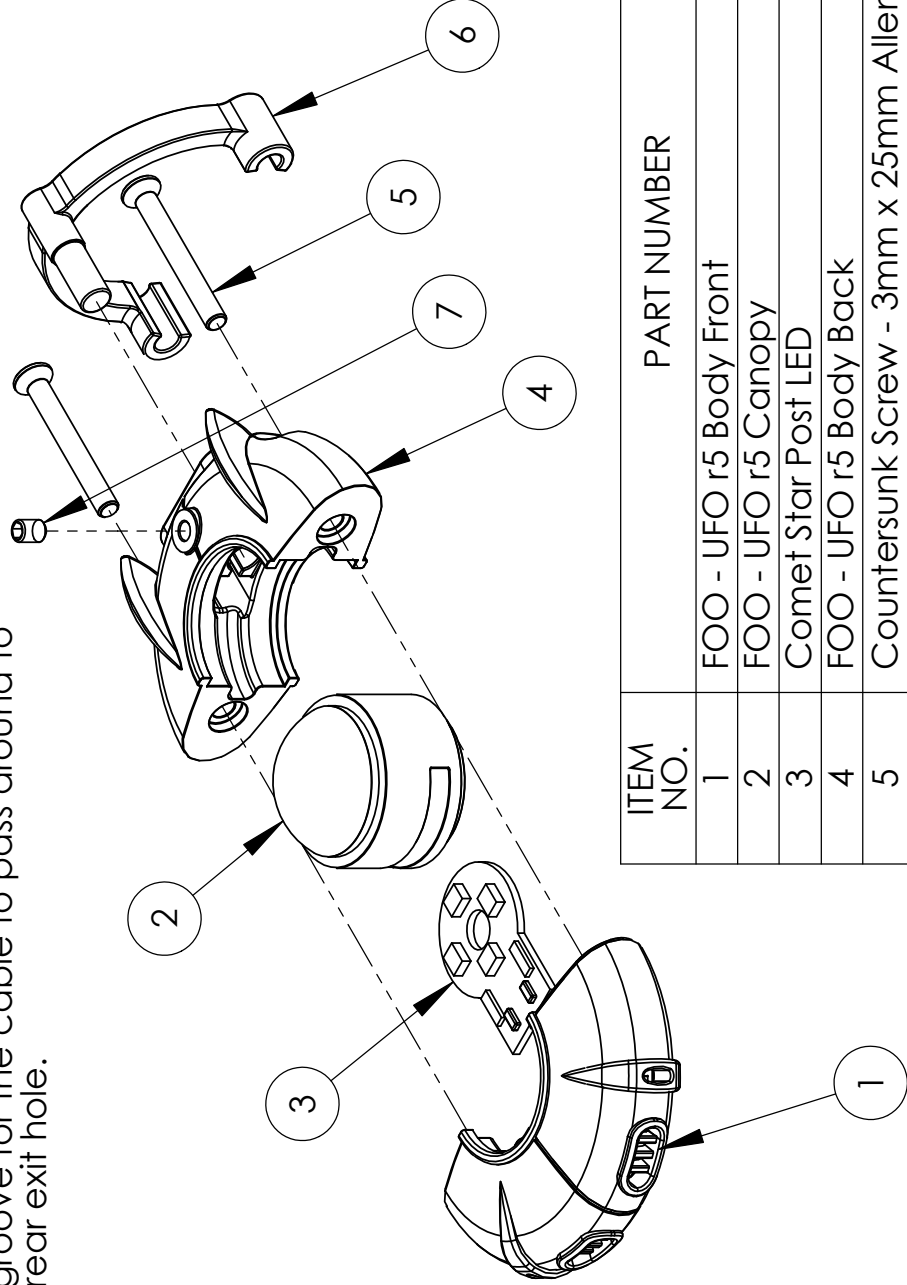
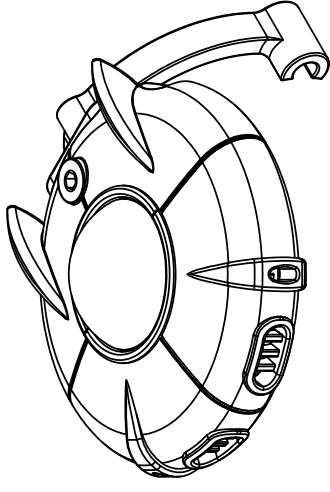


FF - UFO Mod

by Swinks Pinball

Note:

- 1 - Secure your preferred mount to your preferred location (the mod comes with 3 different mounts to allow a variety of installation locations).
- 2 - Slide the UFO (via the centre rear hole) on to the mount and bank to your liking.
- 3 - Nip up the grub screw with the supplied 1.5mm Allen Key Wrench. There is an alternative grub screw mount hole on the underside as well if you prefer to use this one.
- 4 - Do NOT overtighten the grub screw - just lightly nip up.
- 5 - There is a hole either side of the rear mount hole this is for the lighting cable to pass through and exit. You can feed the cable via the alternative hole to better hide the cable or achieve a higher bank angle for your UFO on a particular side - you will need to remove the mount first before altering.
- 6 - The LED is actually pointed down so not to be too bright for the player and there is a groove for the cable to pass around to the rear exit hole.



Mod comes with:

- 10 degrees up mount
- 10 degrees down mount
- Rail form mount

The Mod is also fitted with a Green Comet Star Post LED with a 36" lead and an adaptor bulb ready for plug & play.

ITEM NO.	PART NUMBER	DESCRIPTION	QTY.
1	FOO - UFO r5 Body Front	MJF Nylon	1
2	FOO - UFO r5 Canopy	Resin	1
3	Comet Star Post LED	Colour - Green	1
4	FOO - UFO r5 Body Back	MJF Nylon	1
5	Countersunk Screw - 3mm x 25mm Allen Headed	Stainless Steel	2
6	FOO - UFO r5 Rail Mount - UFO	Black SLS Nylon	1
7	Grub Screw - 3mm x 4mm Allen Headed	Stainless Steel	1