



SWINKS - "Proton Gun" Mod **SERVICE BULLETIN - 2**

Date - 24th November 2021

Personal Note - Swinks is very sorry that this has occurred and we aim to correct this asap.

Issue

When the Proton Gun Mod was designed it was designed and tested thoroughly in a Pro game but I never considered that the Steel Aprons (used in a Premium / LE) would be much different near the proton hole in the playfield. This was a silly assumption on my behalf - lesson learnt. When the first customer installed the kit into his game with a Steel Apron the gun could not operate as it hits the apron when turning and it will damage the proton mech / gun.



Solution

The LHS and RHS gun was quickly redesigned for all customers in Batch 2 and onwards and for all of **Batch 1** customers new guns have been ordered and will be threaded, clear coated and will be express posted to each customer free of charge shortly - currently waiting on manufacturing.

Quick Fix

For those customers in Batch 1 with a Premium or LE and those who have some tools can do a quick hack so you can modify your guns so you can still use the mod until replacement parts arrive.

Step 1

Remove the guns and use a small saw or Dremel cutoff bit or Linisher and trim down the rear handle so it only has about 5mm left measured from the rear of the gun body. My tool of choice is a linisher which is a rotating sanding belt - you can see the section that I finished off that is still just hanging on - once cooled down it snaps off. Note you can see it is solid nylon inside and white.



Step 2

Then give it a light sand and then grab a black marker and just blacken the end so it is not obvious and then the mod will fit in the game and be functional and you can start to enjoy your mod until replacement parts arrive. Note: once blackened out you will not notice anything.



Note: this is just a quick fix with replacement parts being made and will be sent out asap to finish off the look of your mod and return it to the intended design / looks.

Recommended Installation Guide

Following is Swinks Pinball recommended guide of how to replace the proton guns for your mod kit - which is only for the customers that received their mods mid to late Nov 2021. All customers from Batch 2 / Mod No:11 will have the updated gun in their mod kit. For those in Batch 1 some of these steps will differ if you have done the gun quick fix so you could use the mod while waiting for the replacement parts or you may have left the mod in it's box waiting for the replacement parts. The following instruction assumed you waited for the replacement parts to arrive.

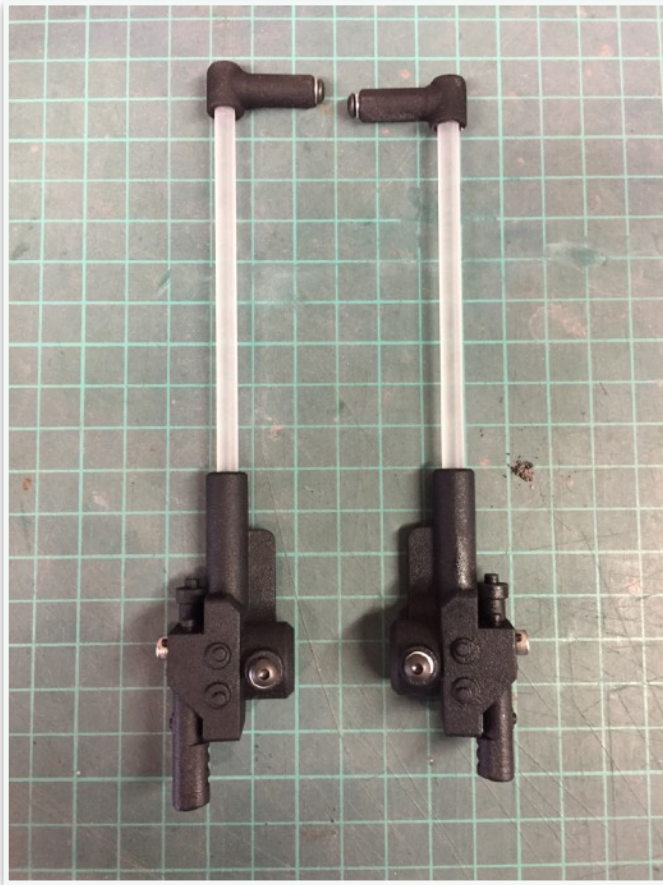
Step 1

Loosen the guns side bolt (black cup bolt) about 1-2 turns and then the gun should easily lift off the mech shaft. Make sure to not lose the 2 x 5mm washers that space the gun off the bearing of the mech.



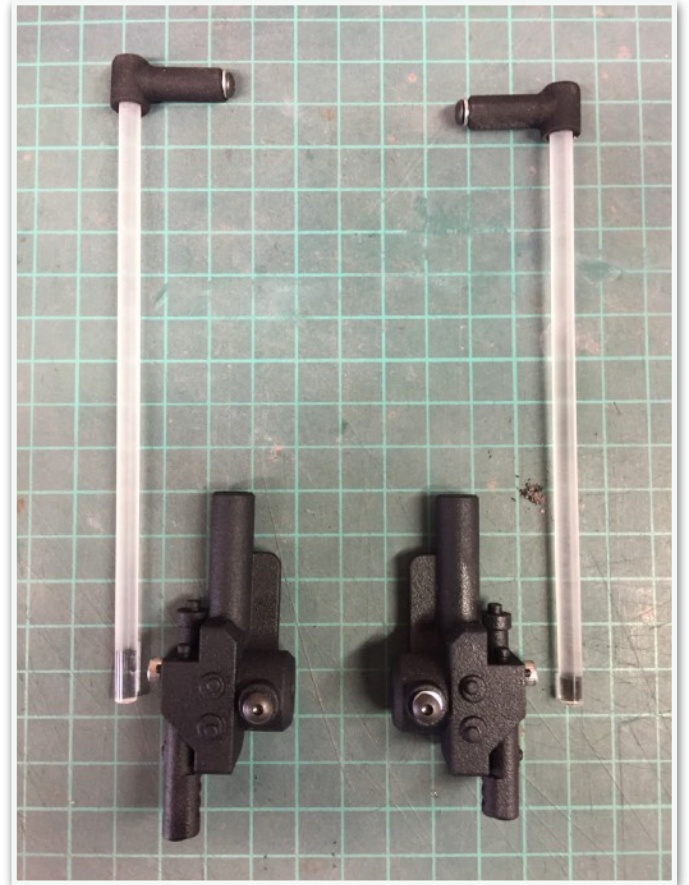
Step 2

Now loosen the Plated / SS bolt on top about 1-2 turns, as this allows the proton stream bar to be removed. Most of these are a neat fit so hold firmly and pull straight with a slight twisting motion and set the stream and nozzle aside.



LHS

RHS



LHS

RHS

Step 3

Now locate the new replacement same sided gun as the one you just removed. The LHS is different to the RHS as the proton stream hugs the side wall of the game and re-insert the proton stream rod into the gun body.



LHS

RHS

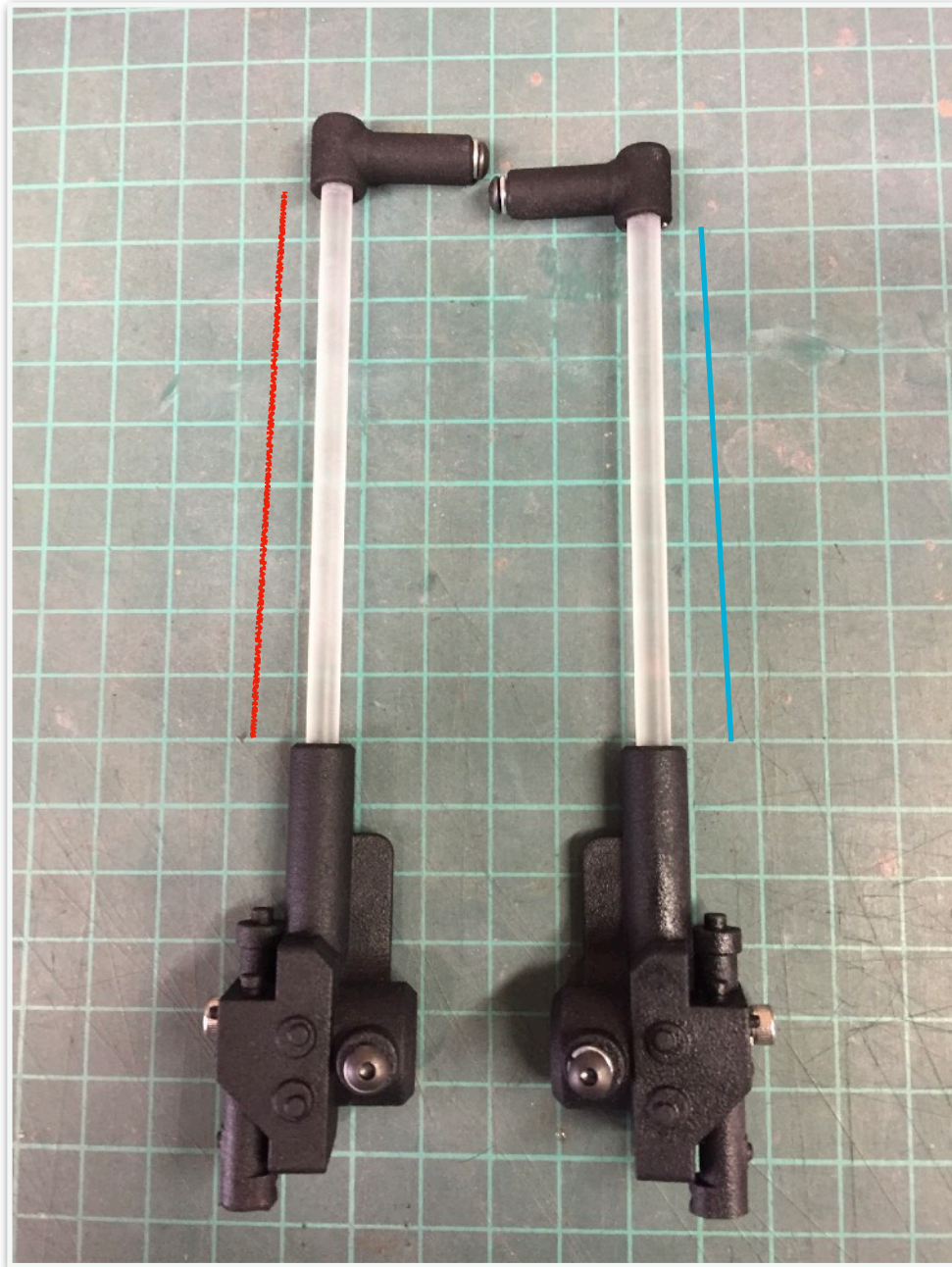


LHS

RHS

Step 4

Both Proton Streams are a different length as the distance between the proton hole and the post in the game is different by approximately 5mm with the RHS being shorter. For the LHS ensure the space between the gun tip and nozzle tip is **85mm** and for the RHS the space between the gun tip and nozzle is **80mm**.



Step 5

Now ensure the nozzle is in the vertical position by eyeing the nozzle and gun side , viewing front on adjusting until it is right, then nip up the top Plated / SS bolt to lock into position.



Step 6

Your gun is now ready to be re-installed on to the LHS or RHS mech. Install the 2 x 5mm washers over the shaft and then slide on the correct gun to the correct mech. The bolt on the side of the gun is nipped up to the flat of the shaft.

For all customers that have a Pro the gap will be a little larger with these new guns fitted as the guns originally supplied to everyone in Batch 1 - Kits 1-10 will fit and work without issue for Pro Owners but I wanted to make sure all mods are the same and can be used in a Pro / Premium / LE or allow a Pro owners to install a steel apron.

For the customers that replaced your guns, you can keep the original set of guns, modify them to be similar to the replacements, paint them up and have spares or just place in the goodie bag.

Note: if you have any problems or concerns please feel free to ask question via the Pinside Forum PM or via email - swinks.pinball@gmail.com

Regards

Swinks Pinball